



US00D896571S

(12) **United States Design Patent** (10) **Patent No.:** **US D896,571 S**
Bowles et al. (45) **Date of Patent:** **** Sep. 22, 2020**

(54) **SMART CAP FOR A LIQUID CONTAINER**

(71) Applicant: **Hyduro, Inc.**, La Jolla, CA (US)

(72) Inventors: **Miles Bowles**, La Jolla, CA (US); **John L. Thompson**, Cote de Cava, CA (US); **Michael Thilenius**, San Diego, CA (US); **Kristoffer Gaard**, San Diego, CA (US); **Thomas H. Lupfer**, San Diego, CA (US); **Mark Bowles**, La Jolla, CA (US)

(73) Assignee: **Hyduro, Inc.**, La Jolla, CA (US)

(**) Term: **15 Years**

(21) Appl. No.: **29/658,149**

(22) Filed: **Jul. 28, 2018**

(51) **LOC (12) Cl.** **07-99**

(52) **U.S. Cl.**

USPC **D7/392.1; D9/436; D9/447**

(58) **Field of Classification Search**

USPC D9/428, 429, 432, 434, 435, 436, 439, D9/440, 443, 444, 445, 447, 449-455, D9/499, 500, 503, 504, 705, 448, 682, D9/685; D7/317, 387, 391, 392, 392.1, D7/393, 396.1, 396.2, 509-511, 538, 900; D3/202, 203.2, 294, 302, 318; D28/91; D23/226

CPC .. A61J 1/00; A61J 1/1412; B65D 1/00; B65D 1/02; B65D 1/10; B65D 1/46; B65D 2585/56; B65D 2585/545; B65D 41/00; B65D 41/38; B65D 41/56; B65D 41/62; B65D 47/00; B65D 47/06; B65D 47/08; B65D 2543/00046; B65D 2543/00092; B65D 2543/00296; B65D 5/46; B65D 2251/00

See application file for complete search history.

(56) **References Cited**

U.S. PATENT DOCUMENTS

3,199,750 A * 8/1965 Livingstone B65D 41/18 215/43
D248,545 S * 7/1978 Summers D9/439

D272,323 S * 1/1984 Bainton D9/438
D275,655 S * 9/1984 Bainton D9/438
D276,118 S * 10/1984 Conti D7/392.1
D381,864 S * 8/1997 Feer D7/391
D417,583 S * 12/1999 Demore D7/392
D515,865 S * 2/2006 Kim D7/392.1

(Continued)

OTHER PUBLICATIONS

Mashable “Gatorade’s smart cap takes rehydration to the next level” (online) posted by Sarah Spigelman Richter on Mar. 17, 2016. Retrieved from Internet on Apr. 29, 2019, URL: <https://mashable.com/2016/03/17/gatorade-smart-cap/> (3 pages).*

Primary Examiner — Michael A. Pratt
Assistant Examiner — Wendy L Armino

(74) *Attorney, Agent, or Firm* — Clause Eight IPS; Michael Catania

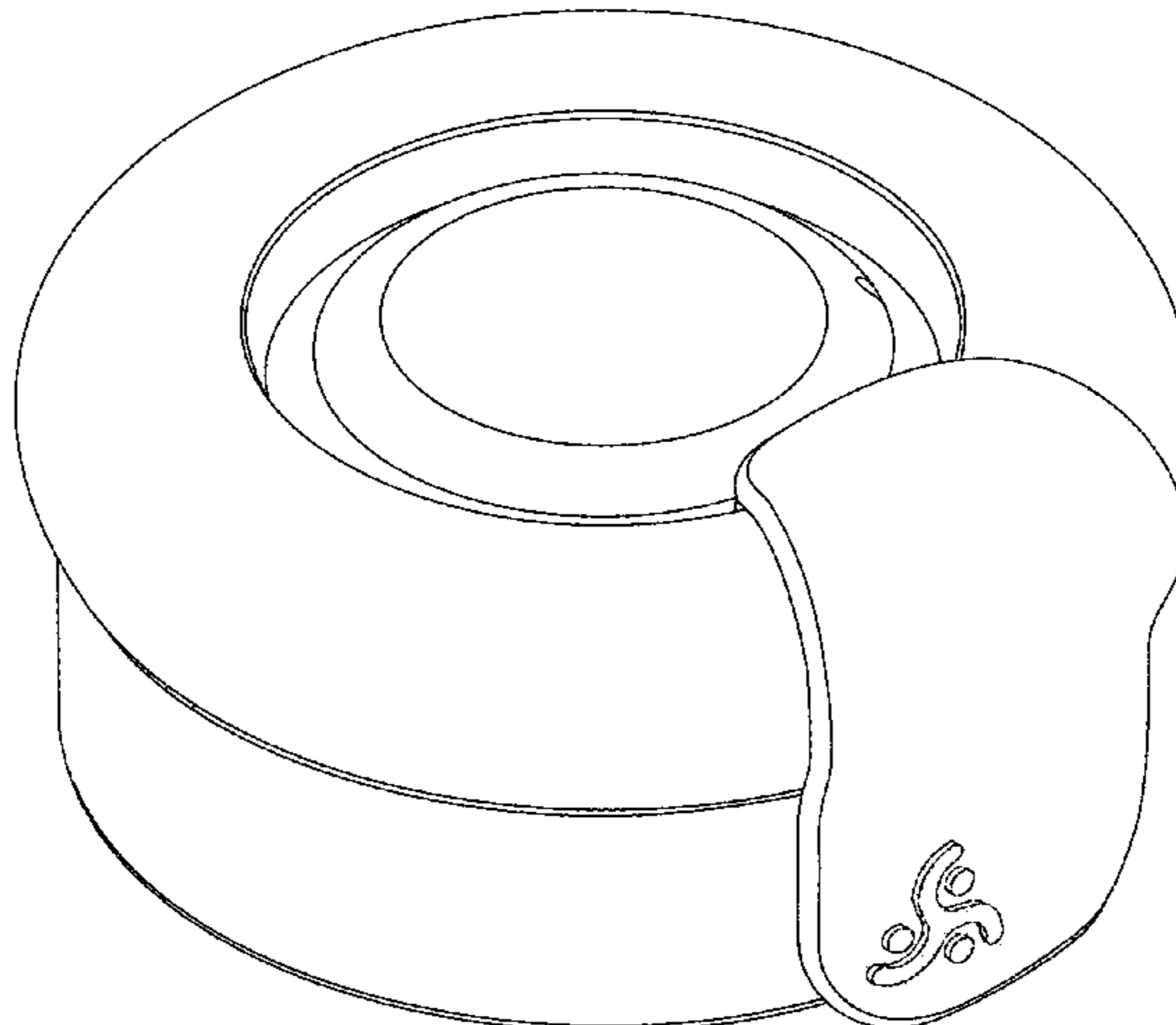
(57) **CLAIM**

The ornamental design for a smart cap for a liquid container, as shown and described.

DESCRIPTION

FIG. 1 is a top front perspective view of a smart cap for a liquid container;
FIG. 2 is a top rear perspective view thereof;
FIG. 3 is a bottom perspective view thereof;
FIG. 4 is a bottom plan view thereof;
FIG. 5 is a front elevation view thereof;
FIG. 6 is side elevation view thereof;
FIG. 7 is an opposing side elevation view thereof;
FIG. 8 is a rear elevation view thereof;
FIG. 9 is a top plan view thereof; and,
FIG. 10 is an exploded view thereof.
The broken lines depict portions of the smart cap for a liquid container that form no part of the claimed design.

1 Claim, 10 Drawing Sheets



(56)

References Cited

U.S. PATENT DOCUMENTS

D563,220	S *	3/2008	Krivoshein	D9/439
D567,656	S *	4/2008	Neias	D9/439
D596,455	S *	7/2009	Laib	D7/392.1
D630,044	S *	1/2011	Lane	D7/392.1
D632,521	S *	2/2011	Wahl	D7/392.1
D668,153	S *	10/2012	Mavin	D9/443
D720,305	S *	12/2014	Wenji	D13/174
D757,541	S *	5/2016	Wu	D9/439
D767,391	S *	9/2016	Buck	D9/447
D779,325	S *	2/2017	Vigoureux	D7/601
D794,448	S *	8/2017	Mataya	D9/436
9,918,905	B1 *	3/2018	Howard	A61J 1/03
D817,765	S *	5/2018	Kim	D9/503
D831,483	S *	10/2018	Tseng	D9/447
D840,811	S *	2/2019	Holmes	D9/443
D844,101	S *	3/2019	Zheng	D23/207
D845,767	S *	4/2019	Holmes	D9/454
2016/0048657	A1 *	2/2016	LeBrun	G06F 19/3462 705/2

* cited by examiner

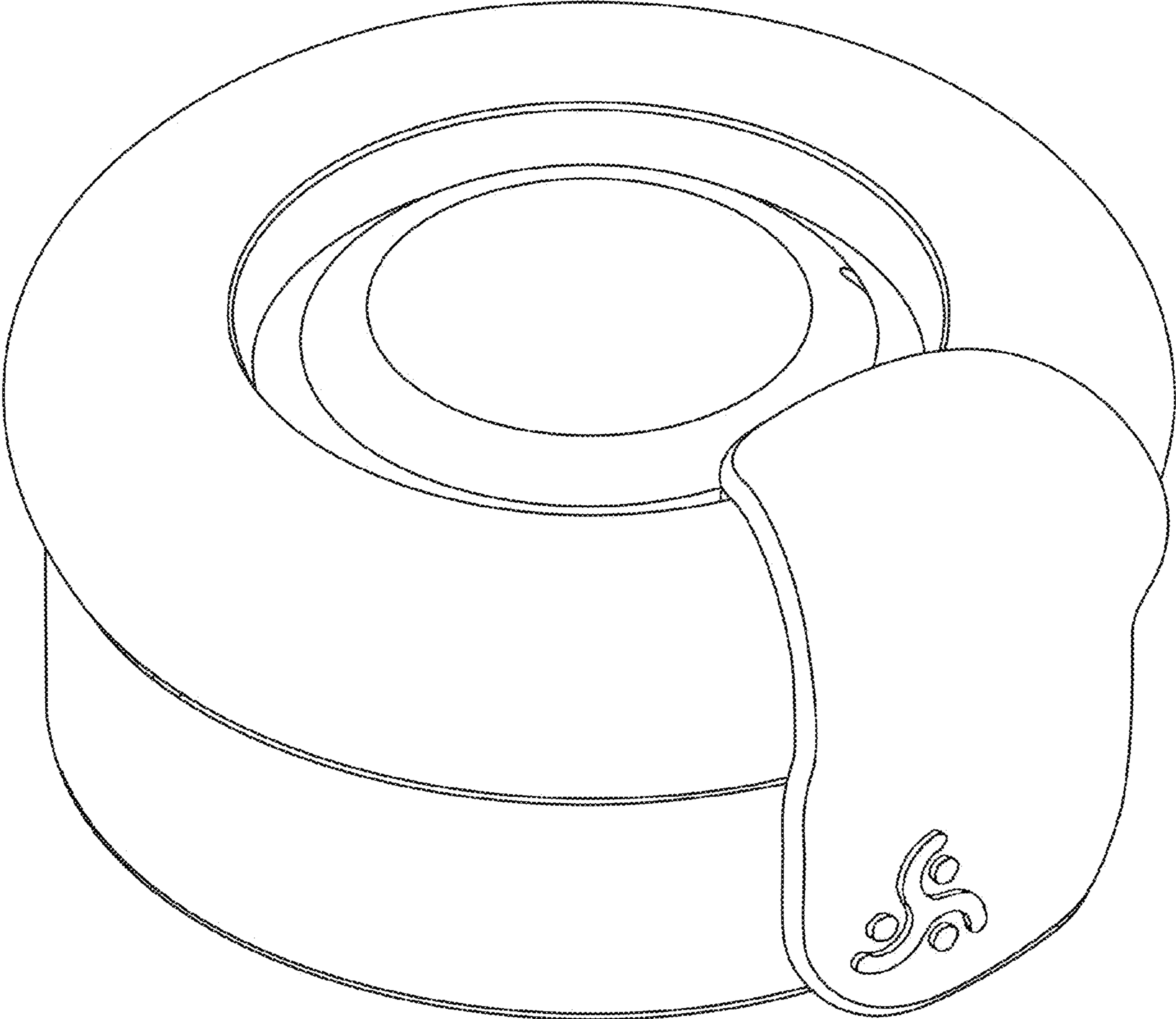


FIG. 1

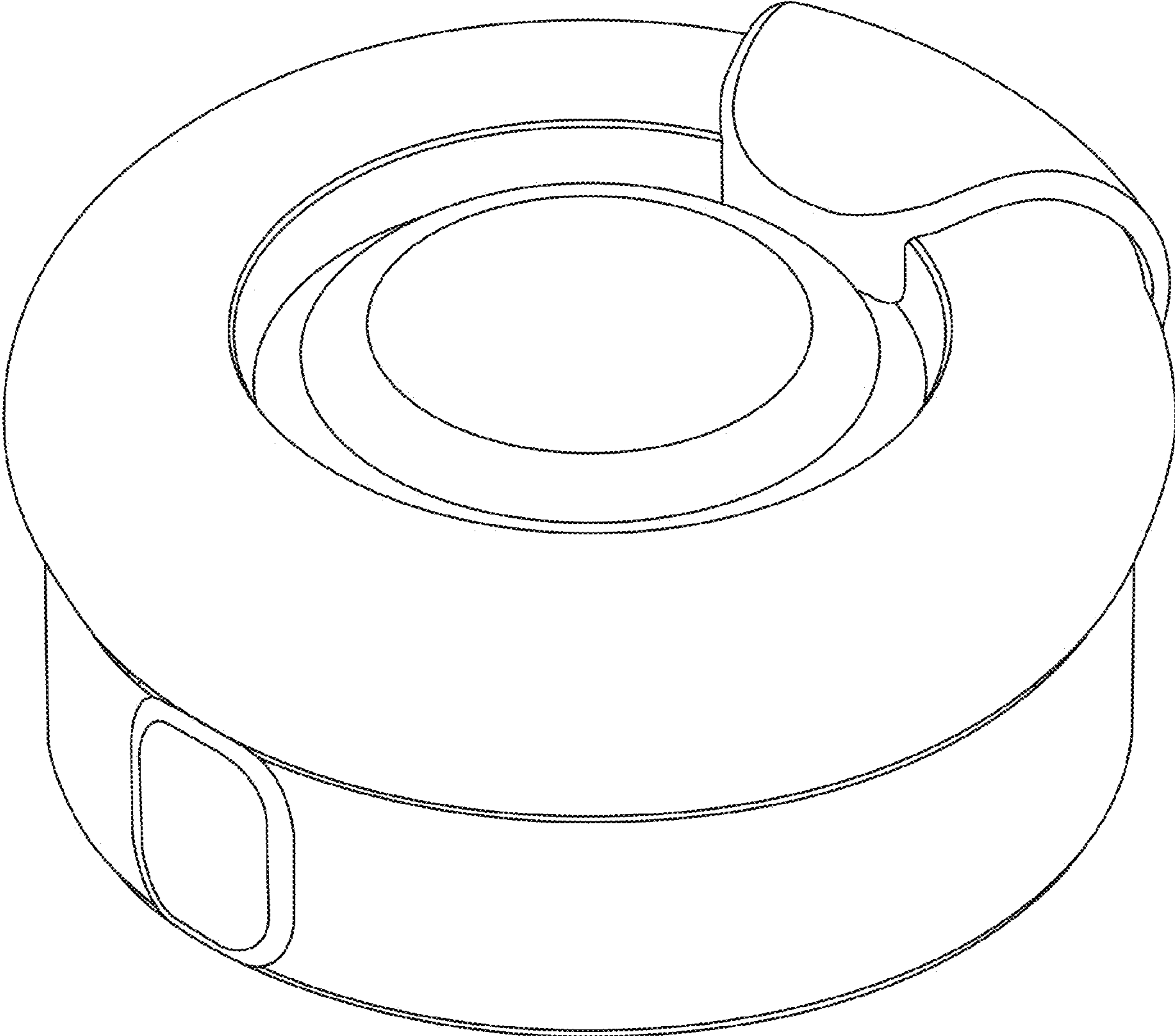


FIG. 2

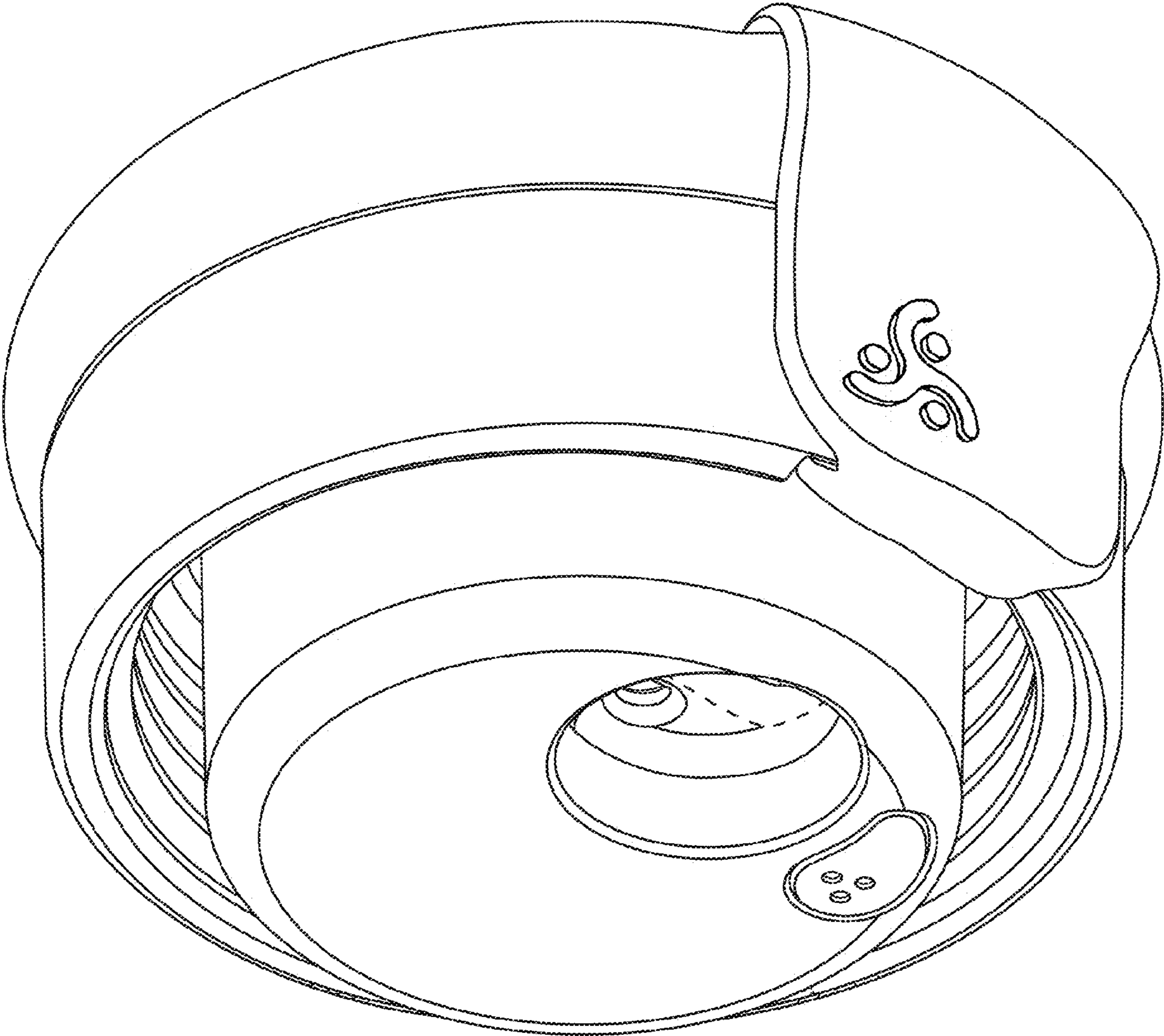


FIG. 3

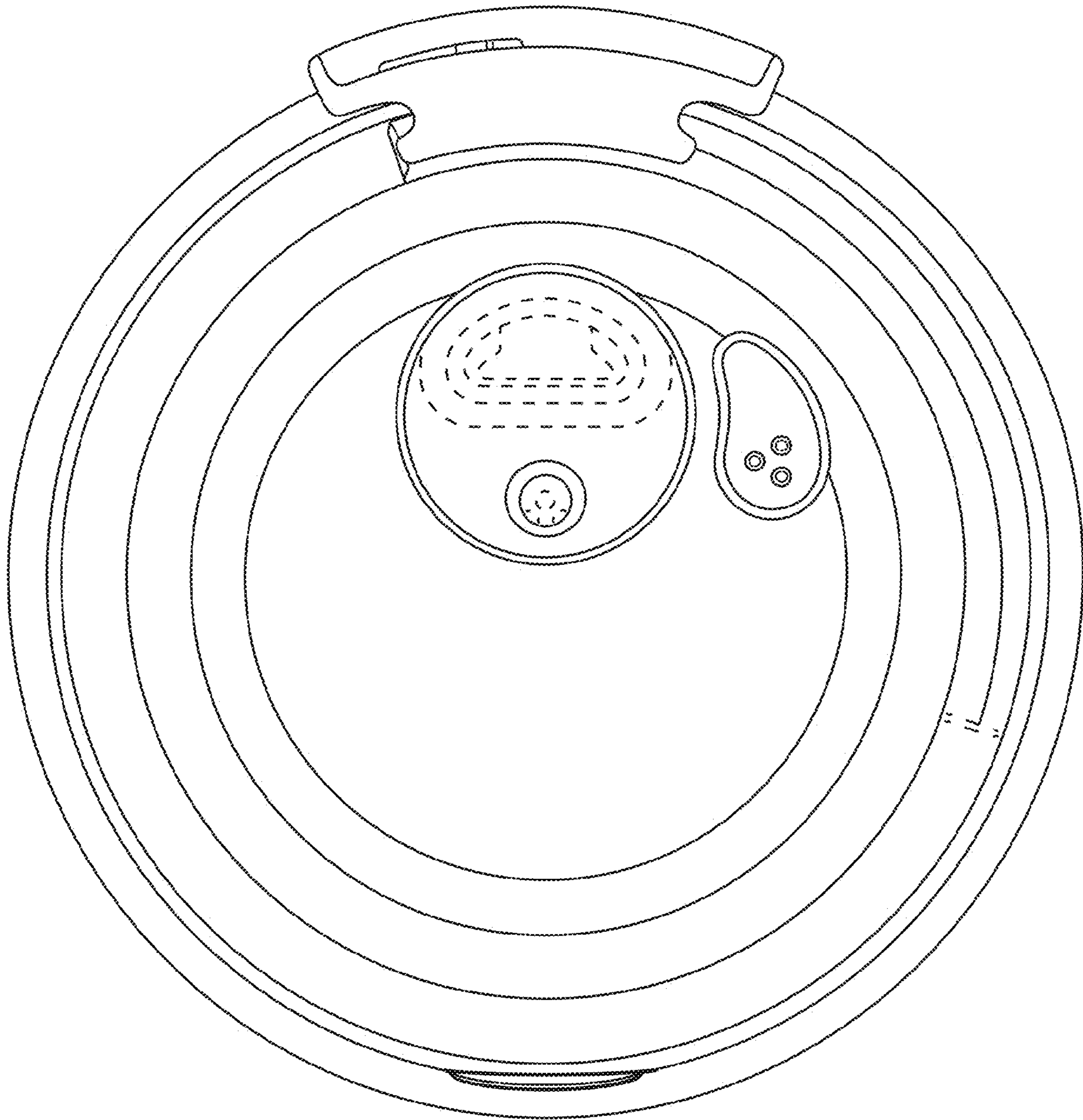


FIG. 4

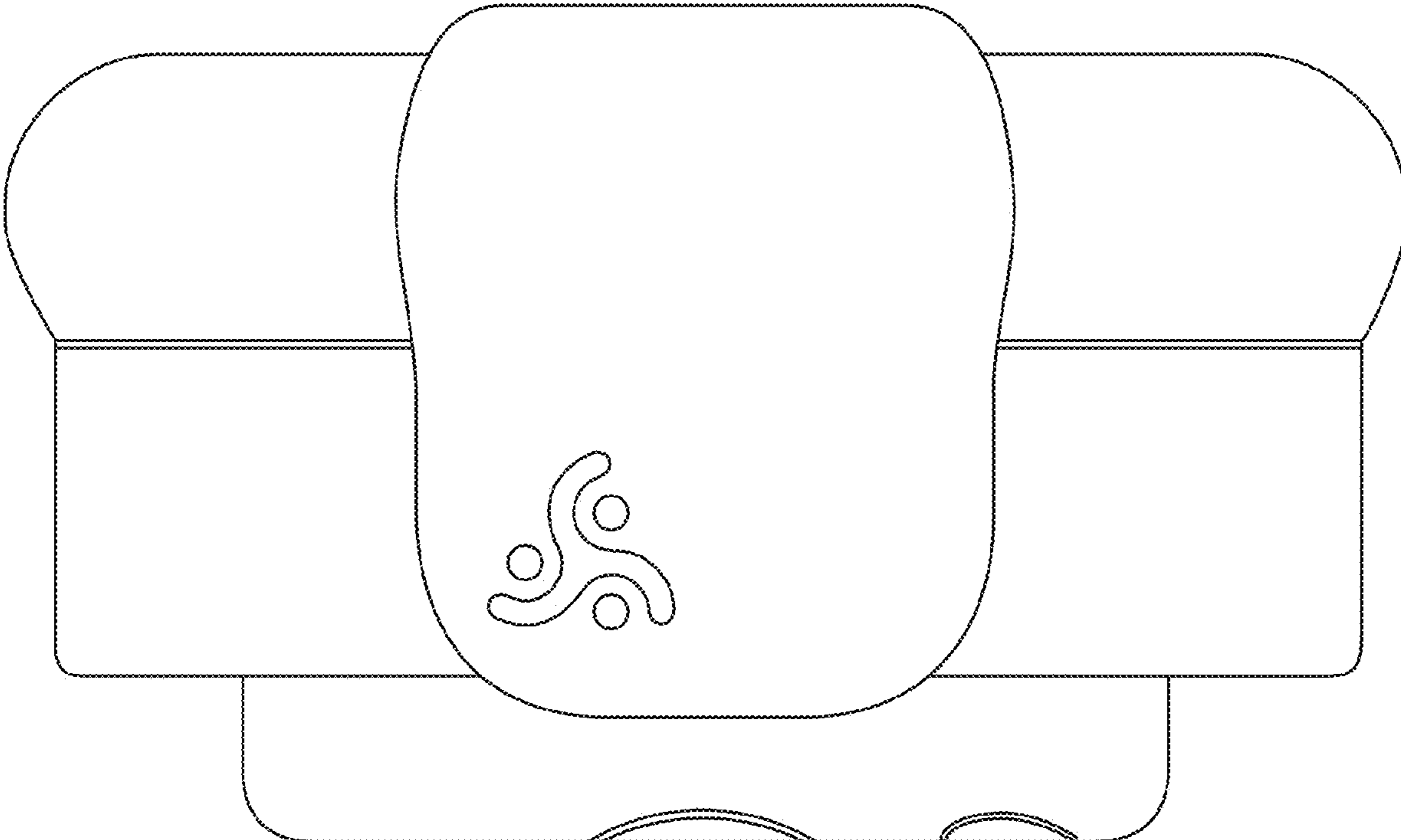


FIG. 5

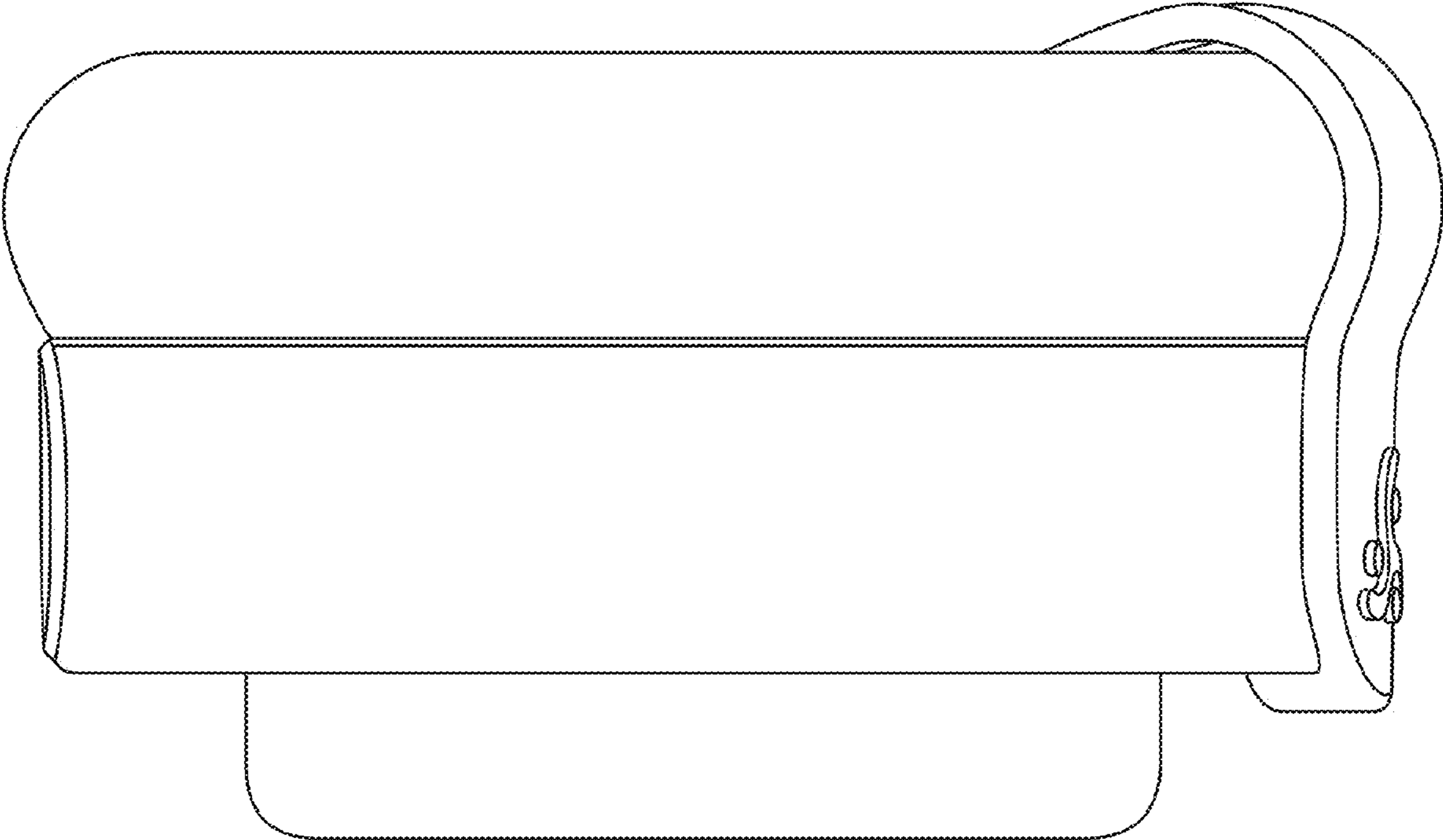


FIG. 6

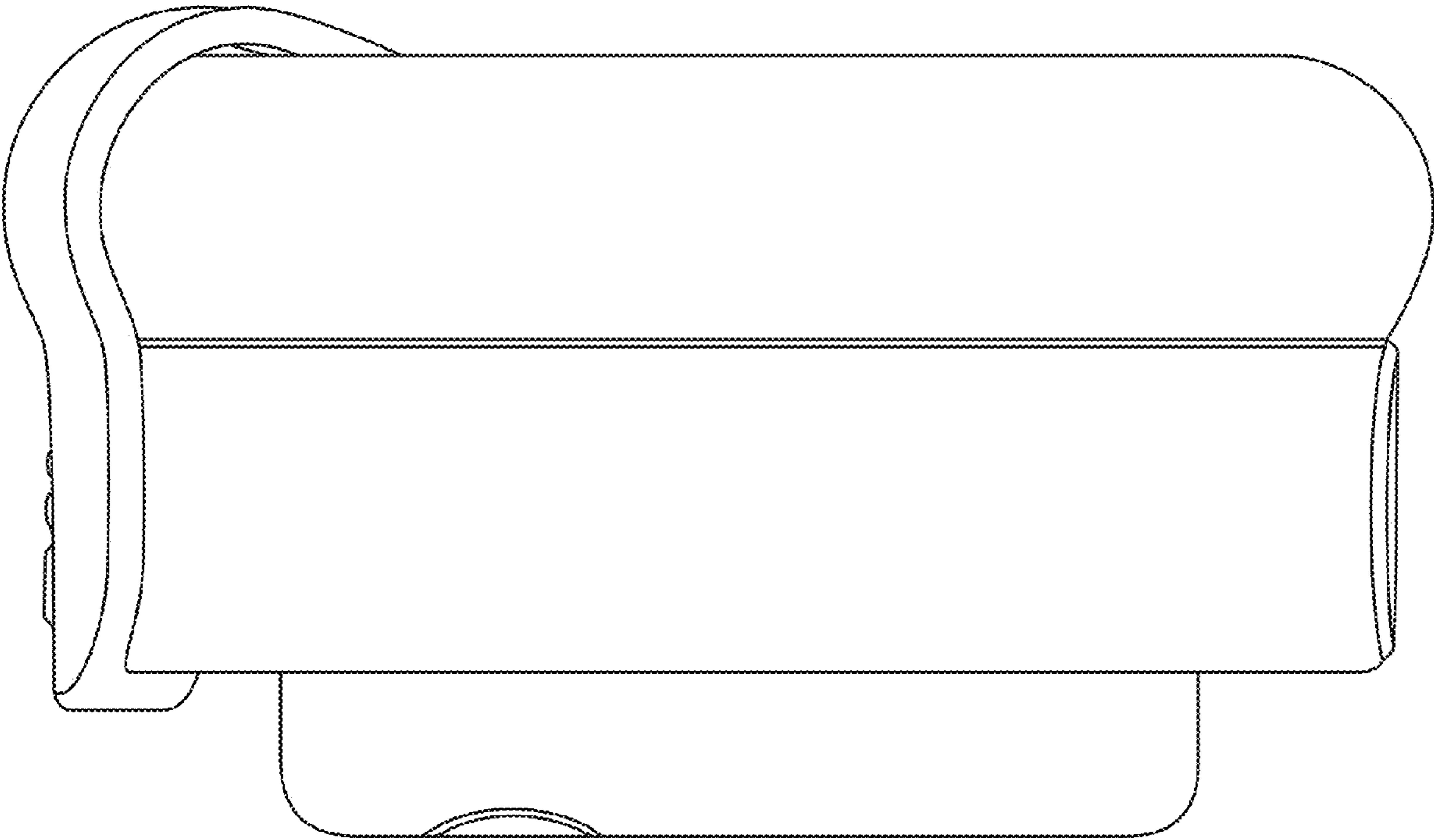


FIG. 7

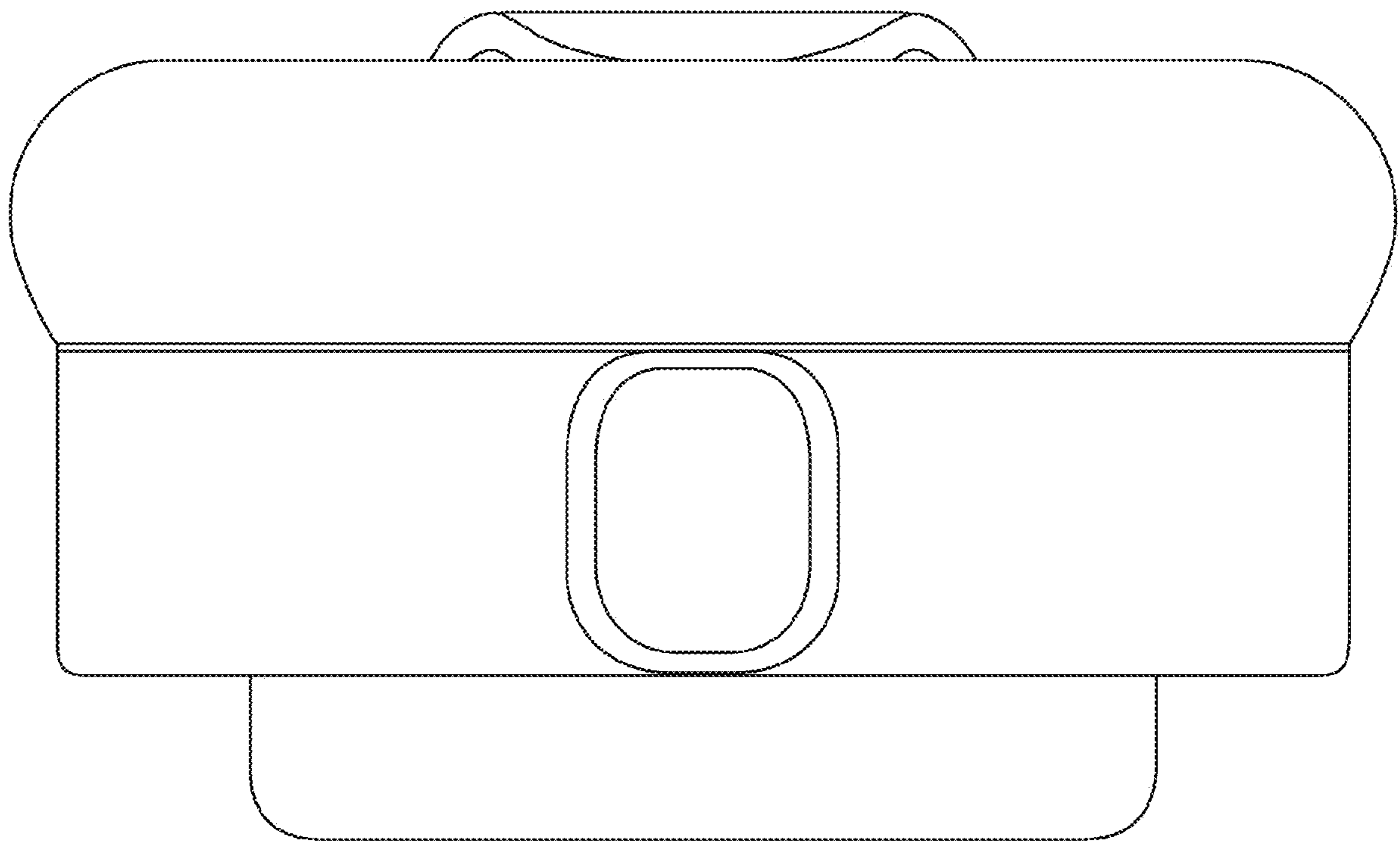


FIG. 8

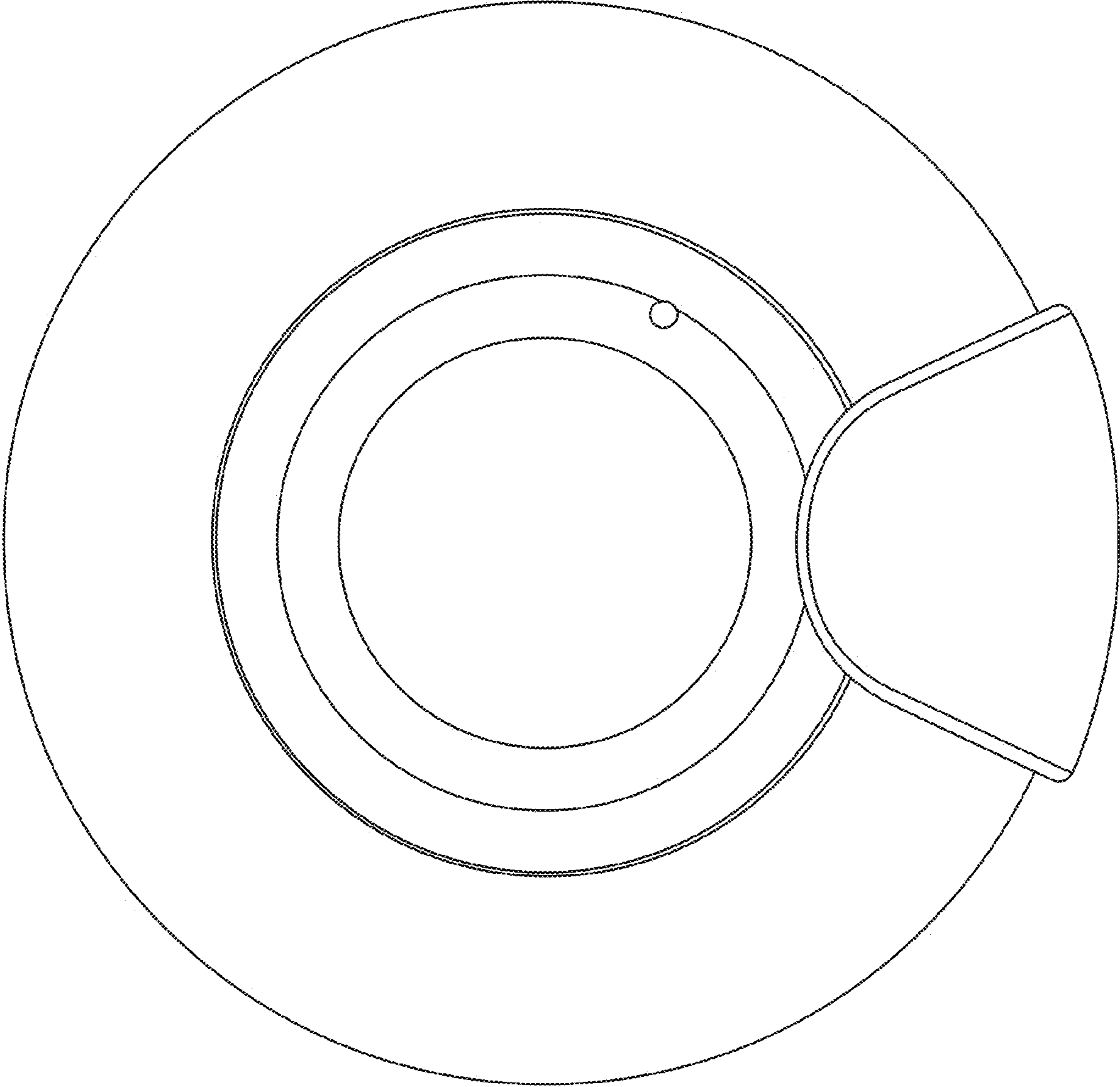


FIG. 9

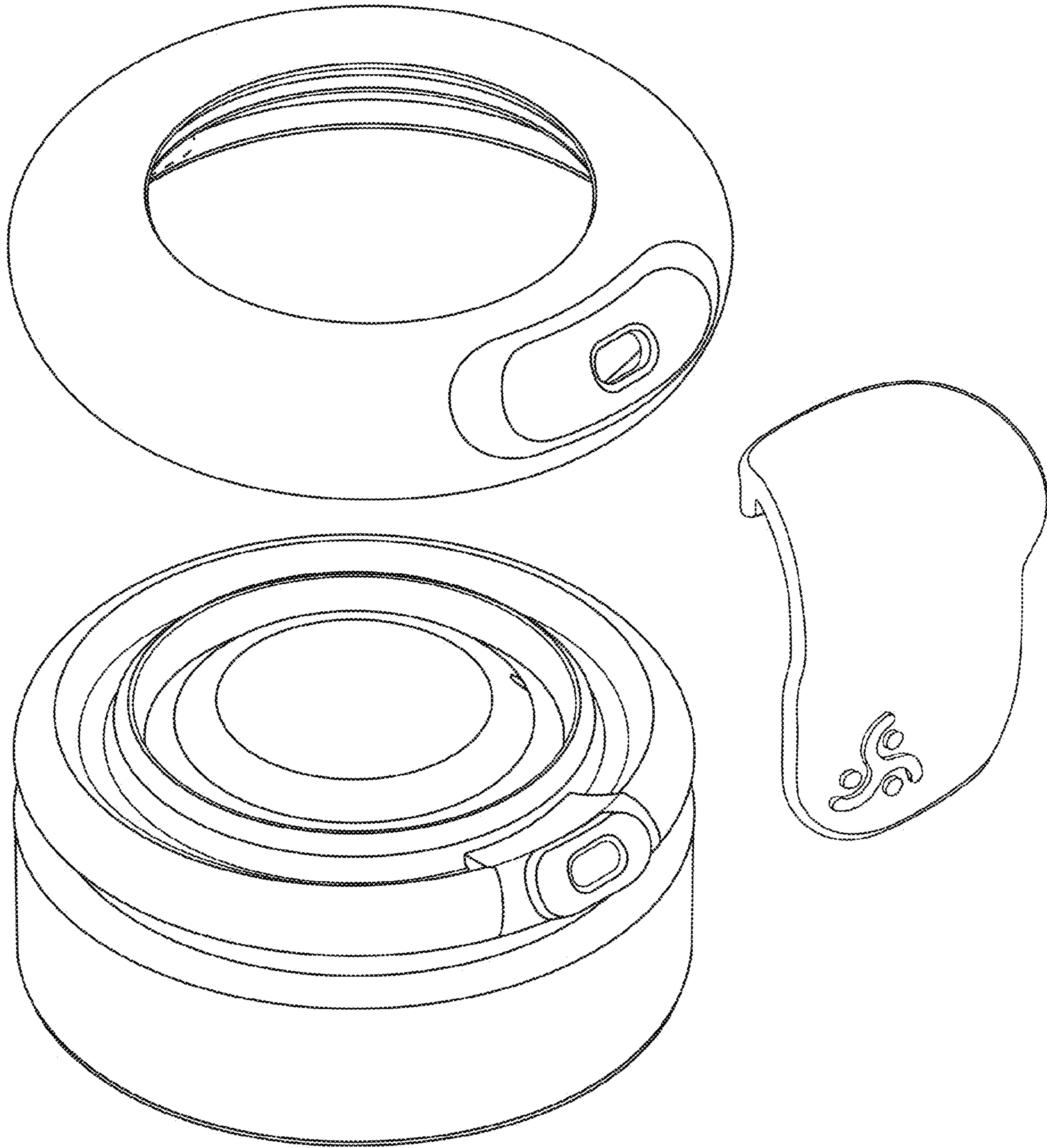


FIG. 10