



US00D896570S

(12) **United States Design Patent**  
**Berroa García**

(10) **Patent No.:** **US D896,570 S**

(45) **Date of Patent:** **\*\* Sep. 22, 2020**

(54) **CAP FOR BOTTLE**

(71) Applicant: **BETAPACK, S.A.U.**, Irun (Guipúzcoa) (ES)

(72) Inventor: **Francisco Javier Berroa García**, Irun (ES)

(73) Assignee: **BETAPACK, S.A.U.**, Irun (Guipúzcoa) (ES)

(\*\*) Term: **15 Years**

(21) Appl. No.: **29/634,703**

(22) Filed: **Jan. 24, 2018**

(30) **Foreign Application Priority Data**

Jul. 5, 2017 (EM) ..... 004089217-0001

(51) **LOC (12) Cl.** ..... **07-99**

(52) **U.S. Cl.**  
USPC ..... **D7/392.1**

(58) **Field of Classification Search**  
USPC ..... D7/300, 300.2, 301, 392, 392.1, 424,  
D7/430, 435, 443, 447, 449, 453, 454,  
D7/510, 511, 538, 540, 542, 543, 544,  
D7/545, 629, 635, 780; D23/207;  
D27/101; D9/434, 436  
CPC ..... A47G 21/18; A61J 7/0038;  
B65D 2517/0049

See application file for complete search history.

(56) **References Cited**

**U.S. PATENT DOCUMENTS**

D309,554 S \* 7/1990 Meisner ..... D7/391  
D315,309 S \* 3/1991 Baughman ..... D9/434  
D390,111 S \* 2/1998 McCarrick ..... D10/103  
D418,363 S \* 1/2000 Barnes ..... D7/392  
D489,611 S \* 5/2004 Monsanty ..... D32/54  
D525,825 S \* 8/2006 Heiberg ..... D7/392  
D684,813 S \* 6/2013 Eyal ..... D7/392

D700,513 S \* 3/2014 Carsrud ..... D9/447  
D705,593 S \* 5/2014 Stamper ..... D7/392.1  
8,833,584 B2 \* 9/2014 Groubert ..... B65D 47/0828  
220/212  
D762,475 S \* 8/2016 Turner ..... D9/434  
D772,713 S \* 11/2016 Chapman ..... D9/434  
D783,402 S \* 4/2017 Martini ..... D9/434  
D784,808 S \* 4/2017 Berroa Garcia ..... D9/434  
D787,888 S \* 5/2017 Joseph ..... D7/510  
D795,006 S \* 8/2017 Heiberger ..... D7/392.1  
D795,007 S \* 8/2017 Plassmeyer ..... D7/392.1

(Continued)

**OTHER PUBLICATIONS**

Betapack website, OLEO 26-21 MM, Publication date unknow, [site visited Jul. 4, 2019], Available on the Internet URL <https://www.betapack.com/en/site/caps/34/oleo-26-21-mm> (Year: 2019).\*

*Primary Examiner* — Karen S Acker

*Assistant Examiner* — Steven B Reinholdt, Jr.

(74) *Attorney, Agent, or Firm* — Cantor Colburn LLP

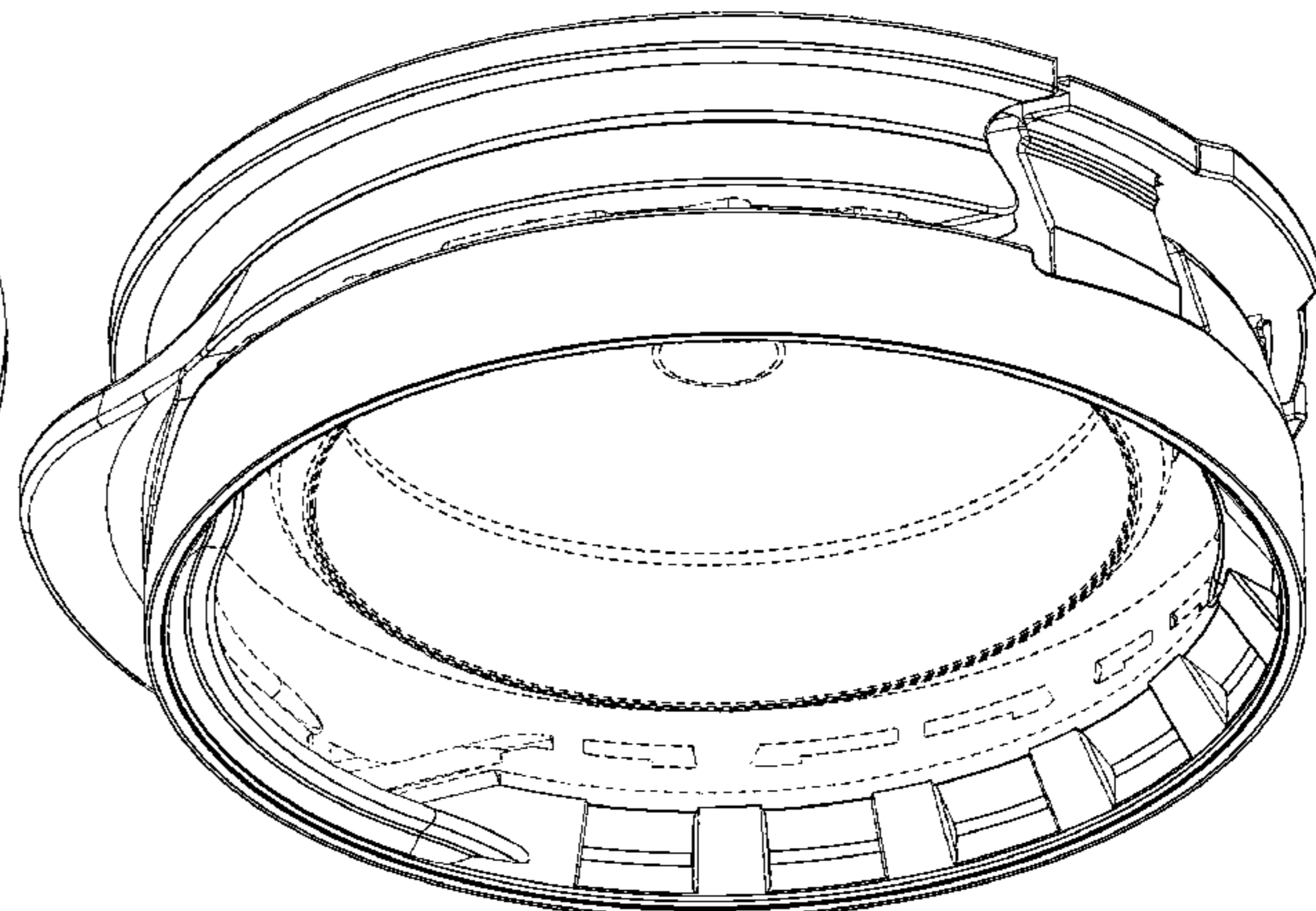
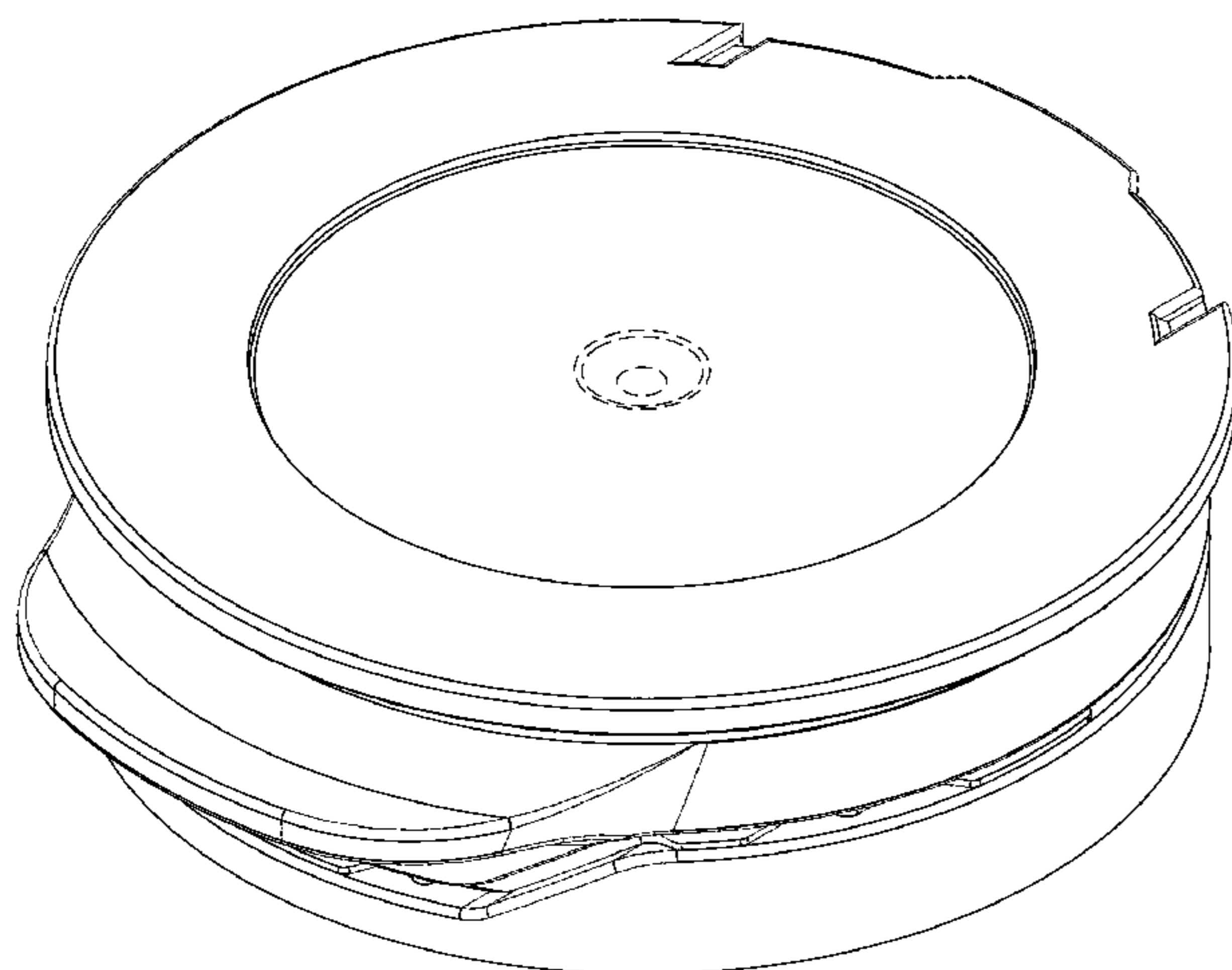
(57) **CLAIM**

I claim, the ornamental design for a cap for bottle, as shown and described.

**DESCRIPTION**

FIG. 1 is a front, perspective view of a cap for bottle, showing my new design;  
FIG. 2 is a front view thereof;  
FIG. 3 is a top view thereof;  
FIG. 4 is a side view thereof, the opposite side being a mirror image hereof;  
FIG. 5 is a bottom view thereof;  
FIG. 6 is a rear view thereof; and,  
FIG. 7 is a bottom view in perspective thereof;  
The broken lines and the areas within them depict portions of the cap for bottle that form no part of the claim.

**1 Claim, 7 Drawing Sheets**



(56)

**References Cited**

U.S. PATENT DOCUMENTS

D803,683 S \* 11/2017 Coey ..... D9/436  
D827,364 S \* 9/2018 Rummel ..... D7/392.1  
D846,344 S \* 4/2019 Lullie ..... D7/392.1  
2017/0251850 A1\* 9/2017 Coon ..... A47G 19/2272

\* cited by examiner

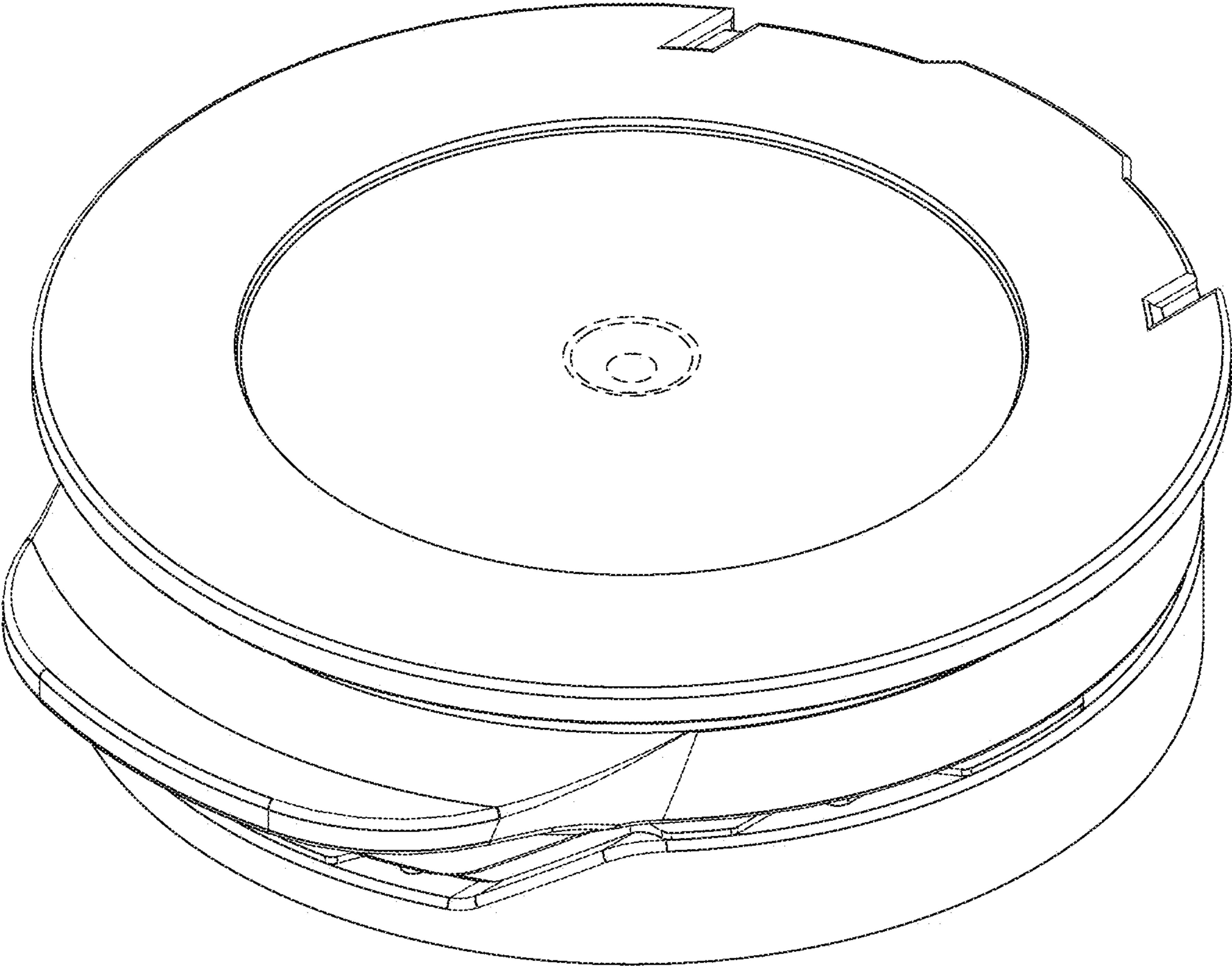


FIG. 1

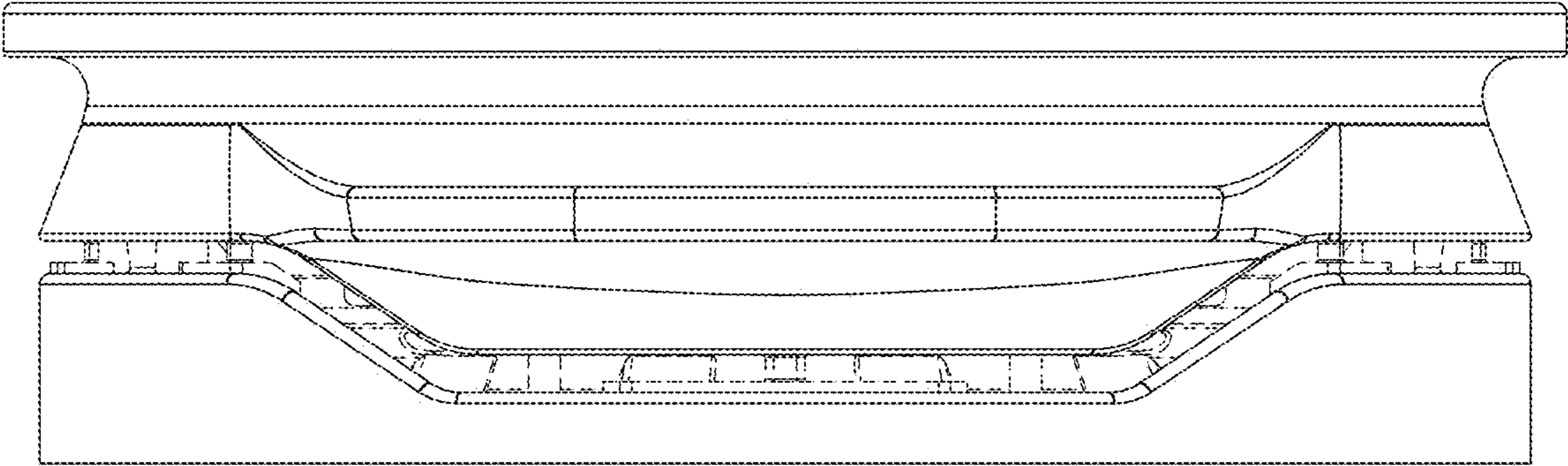


FIG. 2

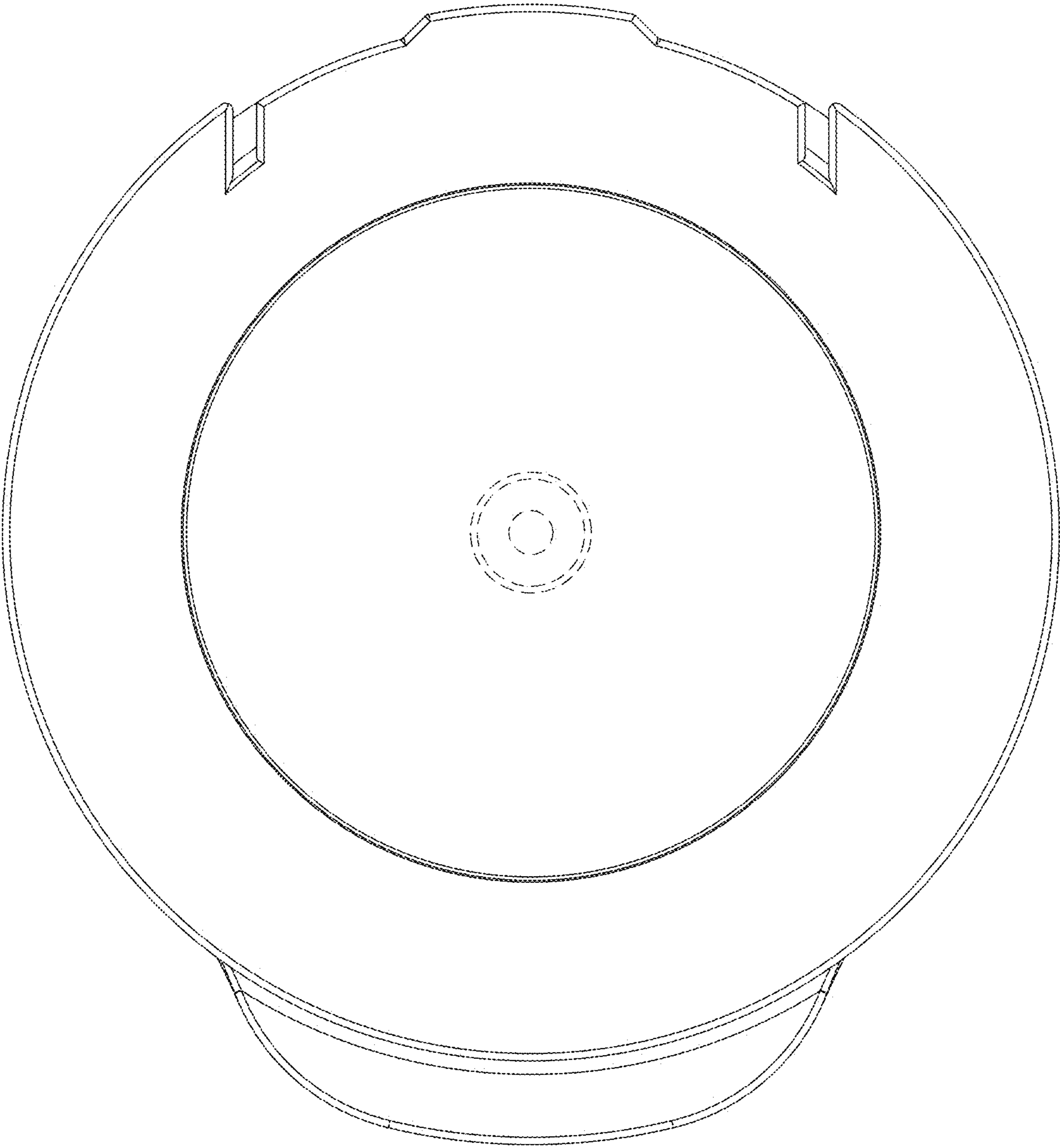


FIG. 3

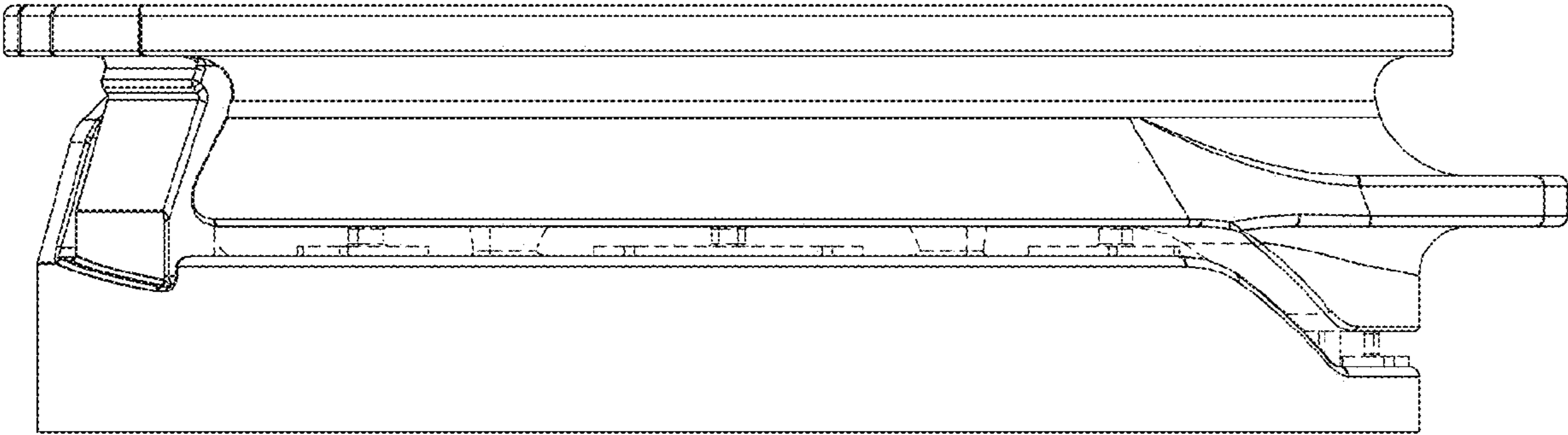


FIG. 4

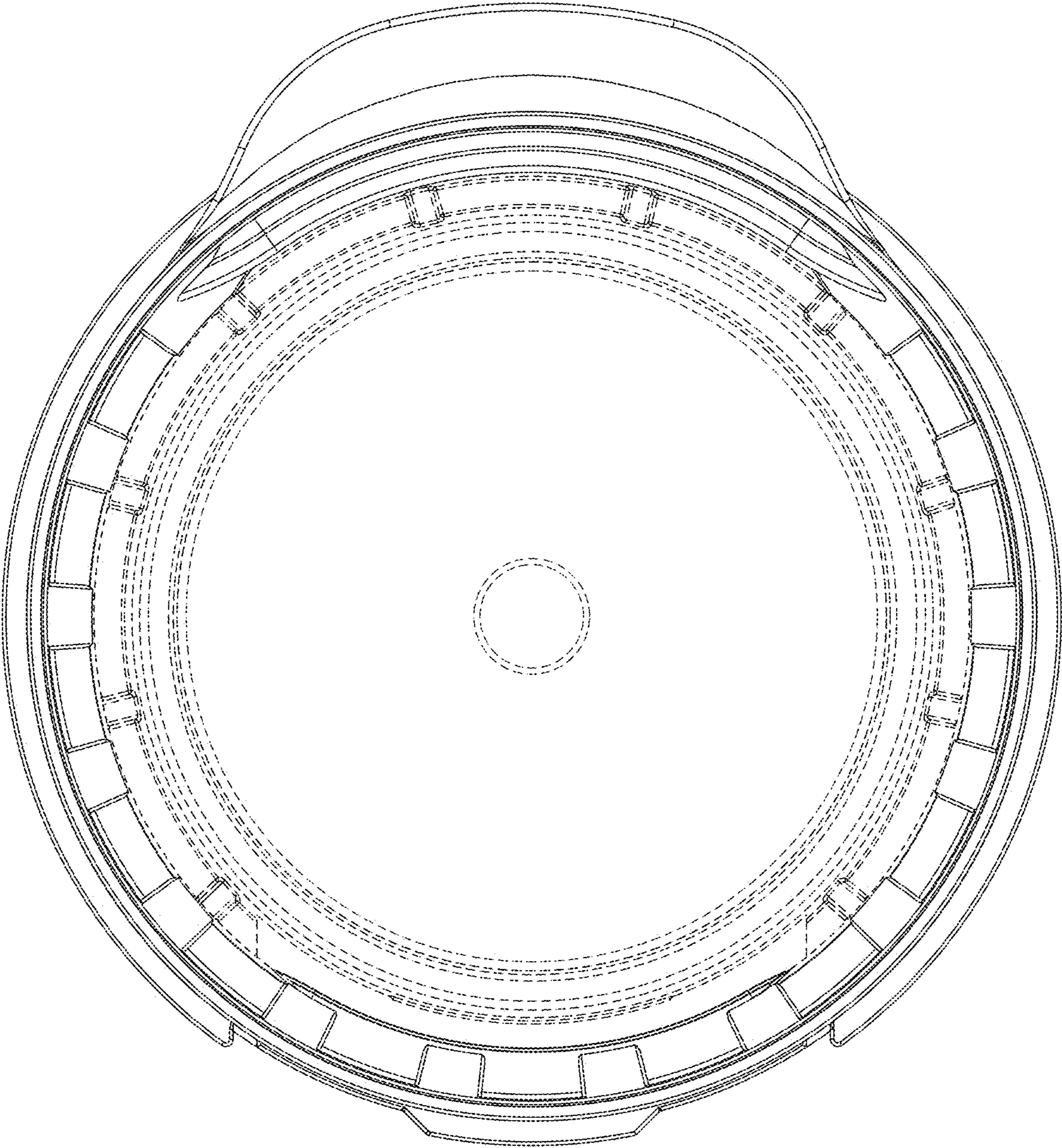


FIG. 5

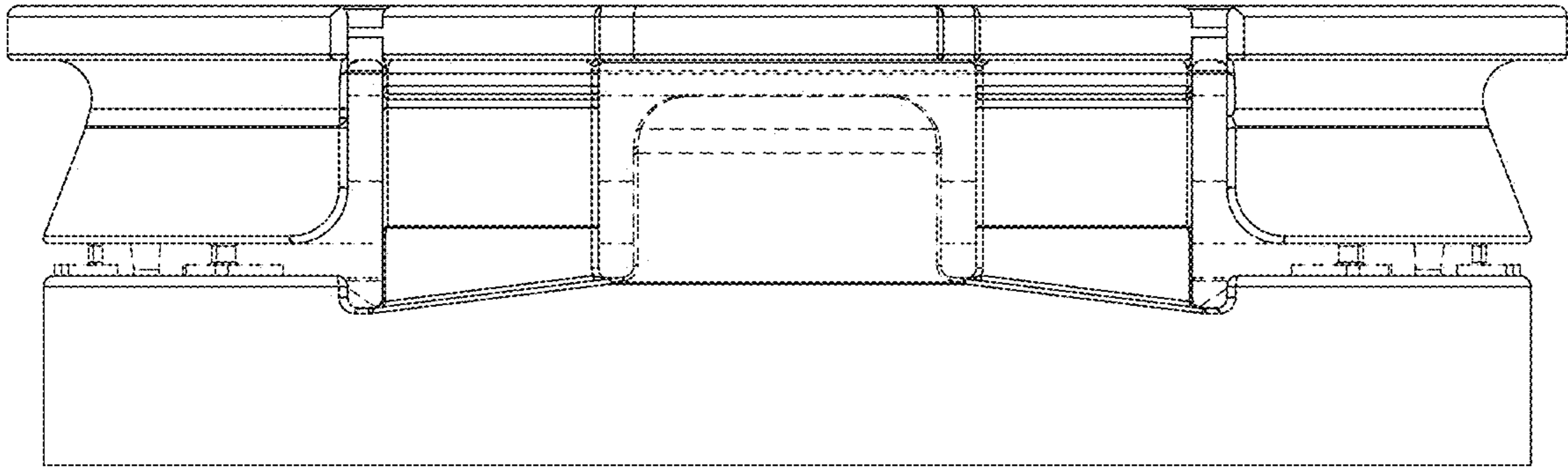


FIG. 6



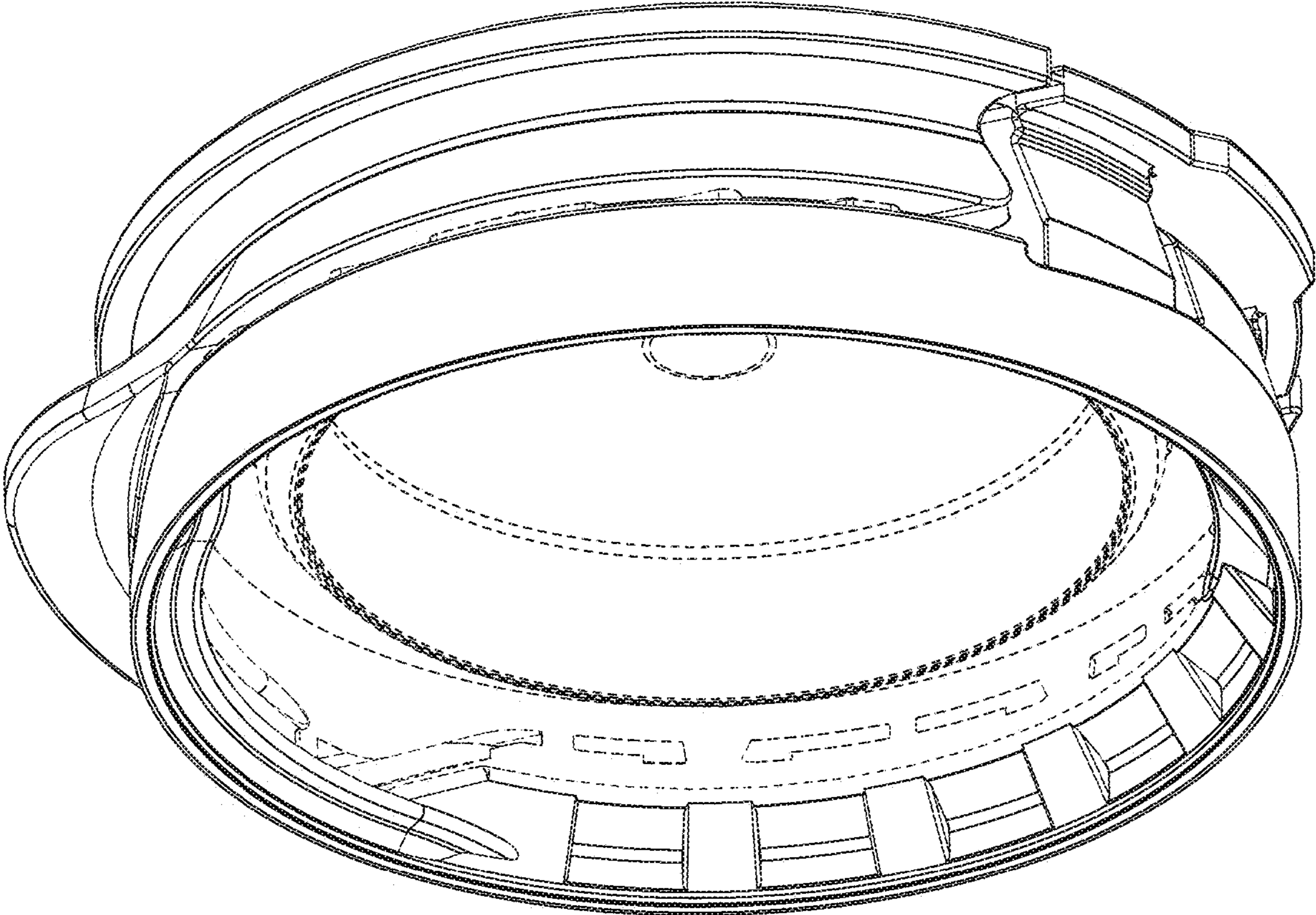


FIG. 7