



US00D896569S

(12) **United States Design Patent** (10) **Patent No.:** **US D896,569 S**
Jacobs (45) **Date of Patent:** **** Sep. 22, 2020**

(54) **CONTAINER CLOSURE**

(71) Applicant: **TricorBraun Inc.**, St. Louis, MO (US)

(72) Inventor: **Tim Jacobs**, Schaumburg, IL (US)

(73) Assignee: **TricorBraun Inc.**, St. Louis, MO (US)

(**) Term: **15 Years**

(21) Appl. No.: **29/674,200**

(22) Filed: **Dec. 20, 2018**

(51) **LOC (12) Cl.** **07-02**

(52) **U.S. Cl.**
USPC **D7/391**

(58) **Field of Classification Search**

USPC D3/302; D7/361, 387, 391, 392, 392.1,
D7/393, 397, 601-602, 629-630,
D7/538-542; D9/414, 420, 424-432,
D9/435, 439, 443, 451-452
CPC A47J 36/027; A47J 36/06; A47J 37/10;
A47J 37/101; A47J 47/08; B65D 1/22;
B65D 21/0209; B65D 25/04; B65D
43/00; B65D 43/02; B65D 43/0206;
B65D 43/022; B65D 43/161; B65D
43/162; B65D 45/00; B65D 45/16; B65D
45/18; B65D 51/16; B65D 51/20; B65D
51/1683; B65D 51/1688; B65D 51/1694;
B65D 2251/00; B65F 1/1615; F16J
15/027

See application file for complete search history.

(56) **References Cited**

U.S. PATENT DOCUMENTS

4,976,370 A * 12/1990 Cassel B65D 1/22
220/792
D489,530 S * 5/2004 Lindsay D3/273
D500,227 S * 12/2004 Seok D7/392.1

(Continued)

Primary Examiner — Ricky Pham

(74) *Attorney, Agent, or Firm* — Husch Blackwell LLP

(57) **CLAIM**

I claim the ornamental design for a container closure, as shown and described.

DESCRIPTION

FIG. 1 is a top perspective view of a container closure and showing the new design with the lid portion in a closed position and connected with an unclaimed container shown in broken lines;

FIG. 2 is a top perspective view of the container closure of FIG. 1;

FIG. 3 is a front elevation view thereof;

FIG. 4 is a rear elevation view thereof;

FIG. 5 is a top plan view thereof;

FIG. 6 is a left side elevation view thereof, the right side elevation view being a mirror image thereof;

FIG. 7 is a bottom plan view thereof;

FIG. 8 is a top perspective view of the container closure showing the lid portion of the container closure in an open position and connected with an unclaimed container shown in broken lines;

FIG. 9 is a top perspective view of the container closure showing the lid portion of the container closure in an open position;

FIG. 10 is a rear elevation view thereof with the lid portion of the container closure in an open position;

FIG. 11 is a front elevation view thereof with the lid portion of the container closure in an open position;

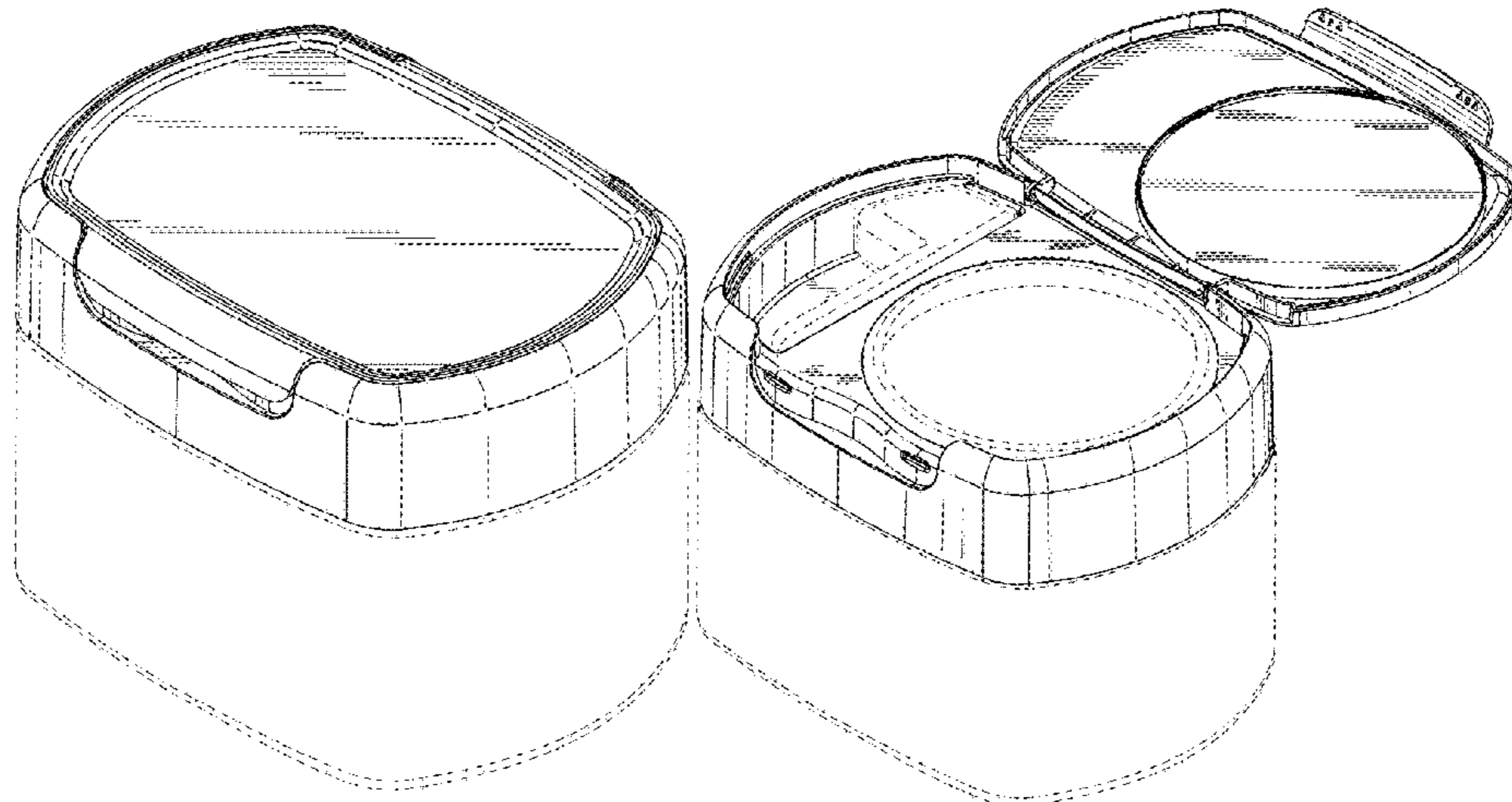
FIG. 12 is a top plan view thereof with the lid portion of the container closure in an open position;

FIG. 13 is a right side elevation view thereof with the lid portion of the container closure in an open position, the left side elevation view being a mirror image thereof; and,

FIG. 14 is a bottom plan view thereof with the lid portion of the container closure in an open position.

Broken lines and the area within the broken lines represent environmental subject matter that forms no part of the claimed design.

1 Claim, 11 Drawing Sheets



(56)

References Cited

U.S. PATENT DOCUMENTS

7,967,167 B2 *	6/2011	Tilton	B65D 51/20 220/254.3
D660,095 S *	5/2012	Kyung	D7/629
D675,057 S *	1/2013	Harvey	D7/391
D746,101 S *	12/2015	Manley	D7/387
D763,629 S *	8/2016	Swartz	D7/629
D815,924 S *	4/2018	Croft	D7/629
D828,078 S *	9/2018	Mattei	D7/361
D830,765 S *	10/2018	Croft	D7/391
D830,790 S *	10/2018	Lee	D7/629
D835,984 S *	12/2018	Perry	D9/420

* cited by examiner

FIG. 1

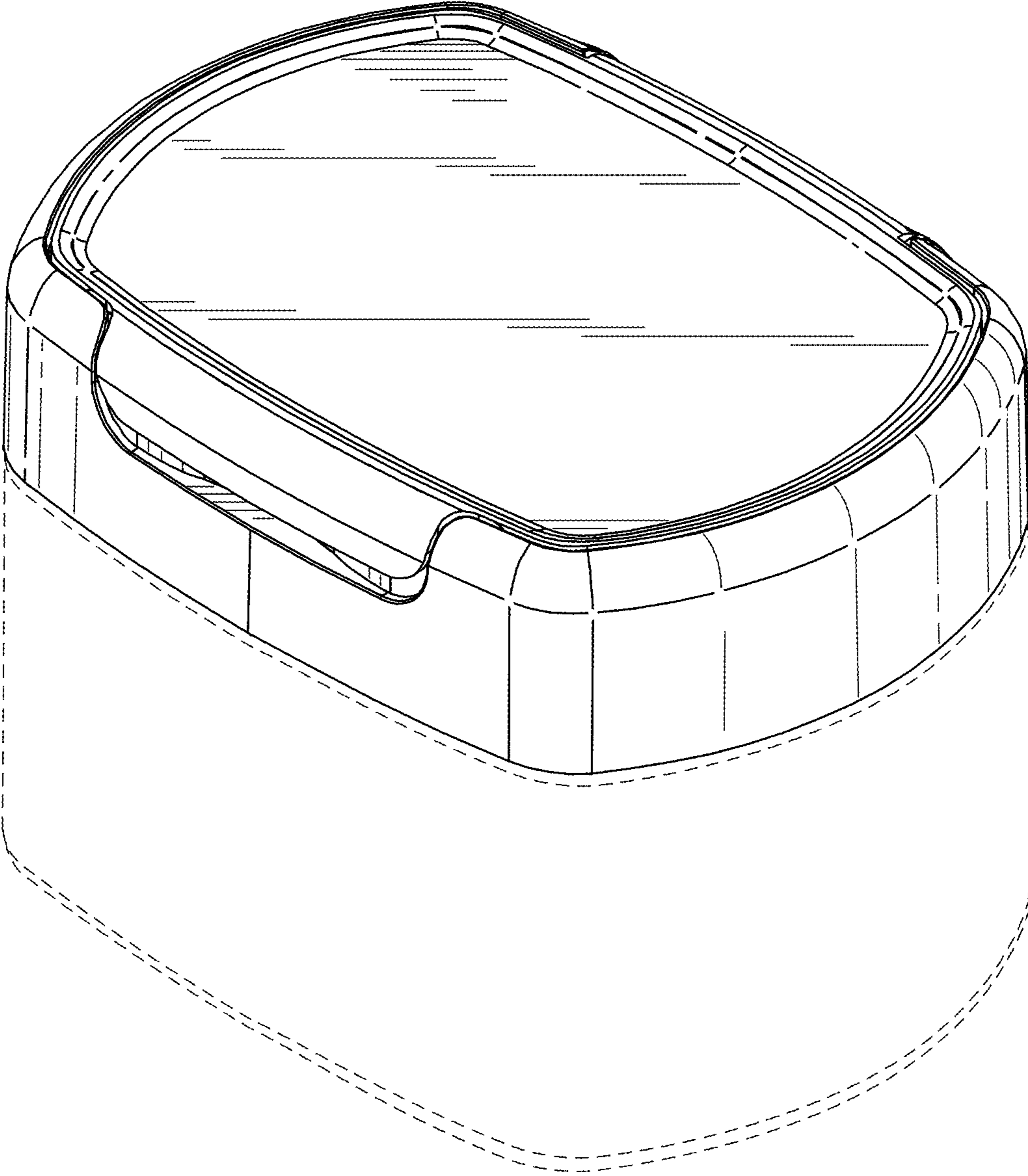


FIG. 2

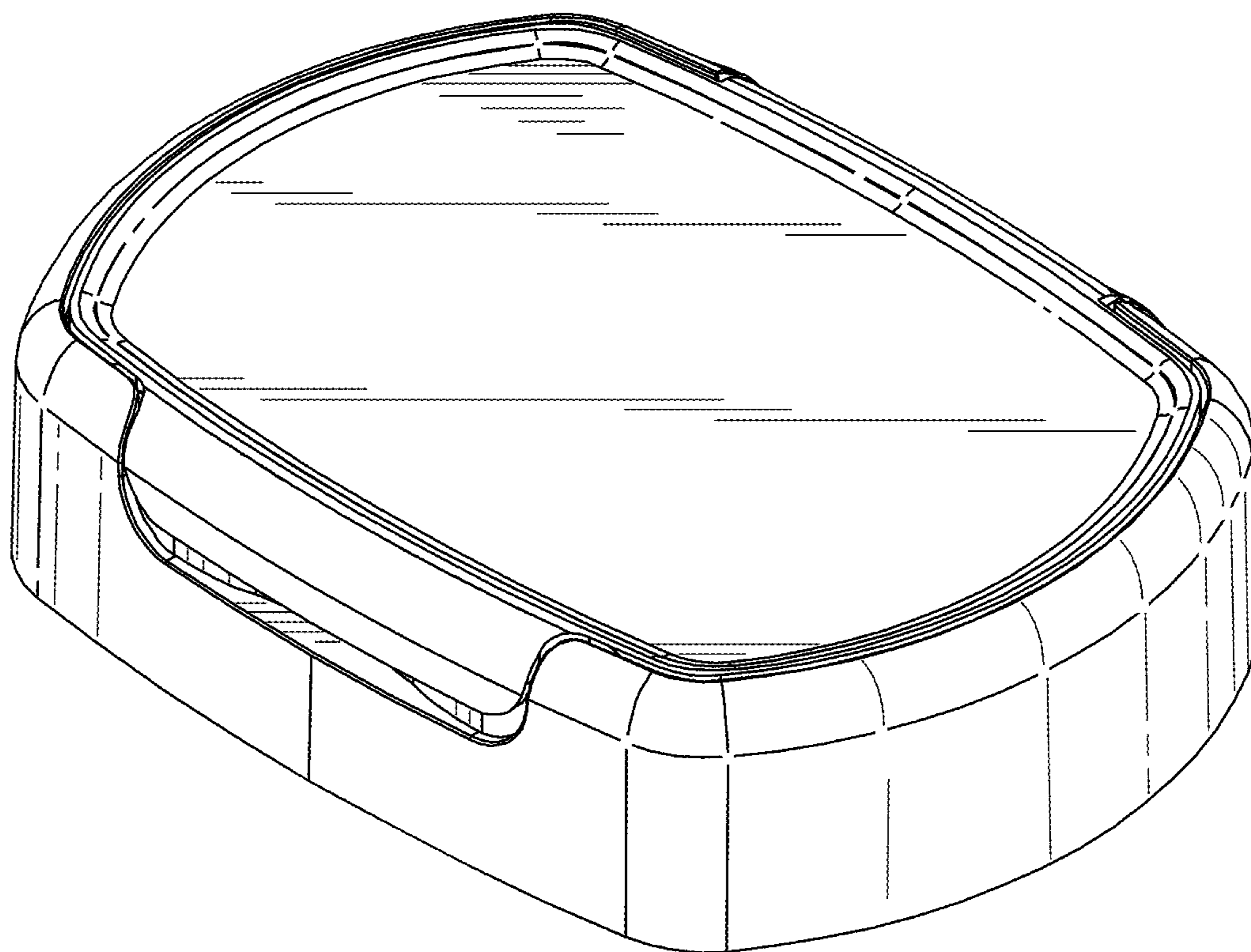


FIG. 3

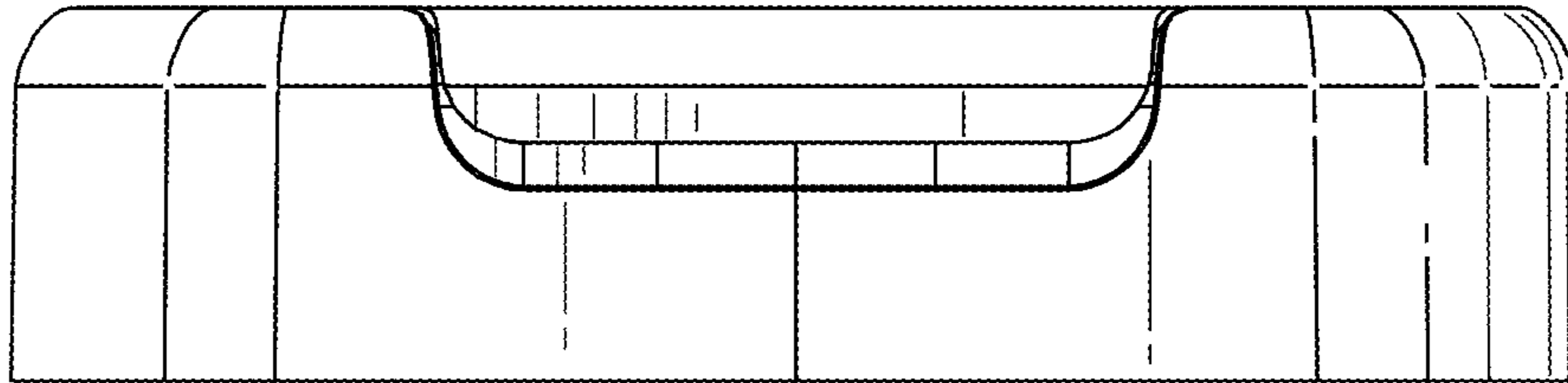


FIG. 4

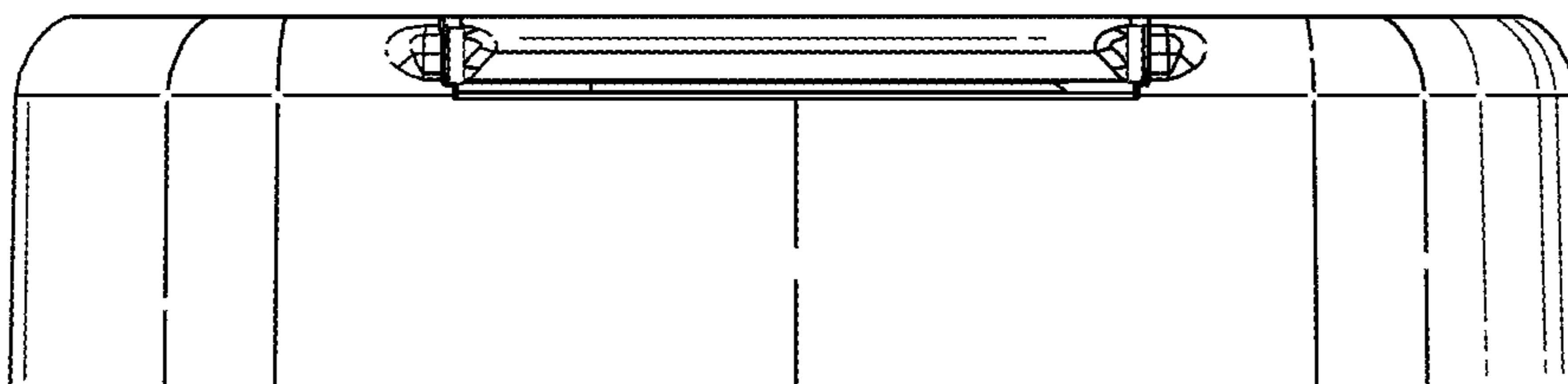


FIG. 5

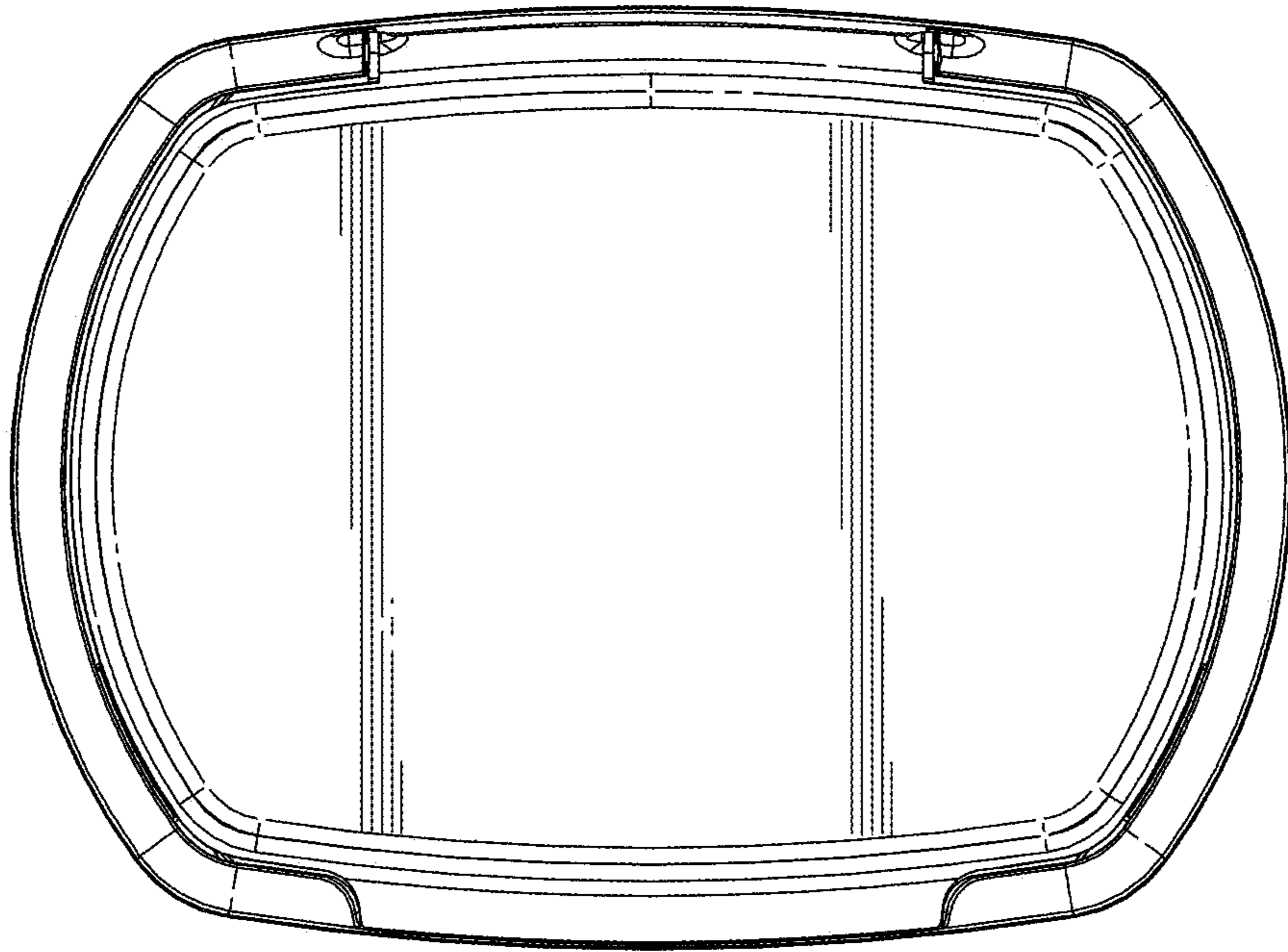


FIG. 6

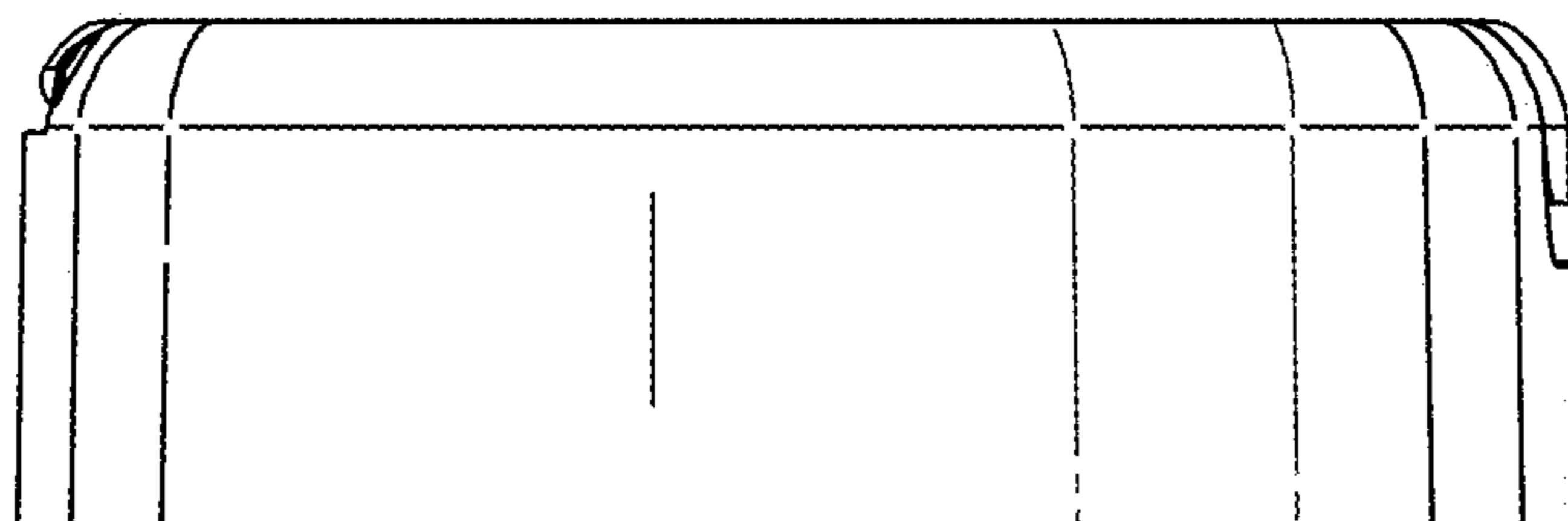


FIG. 7

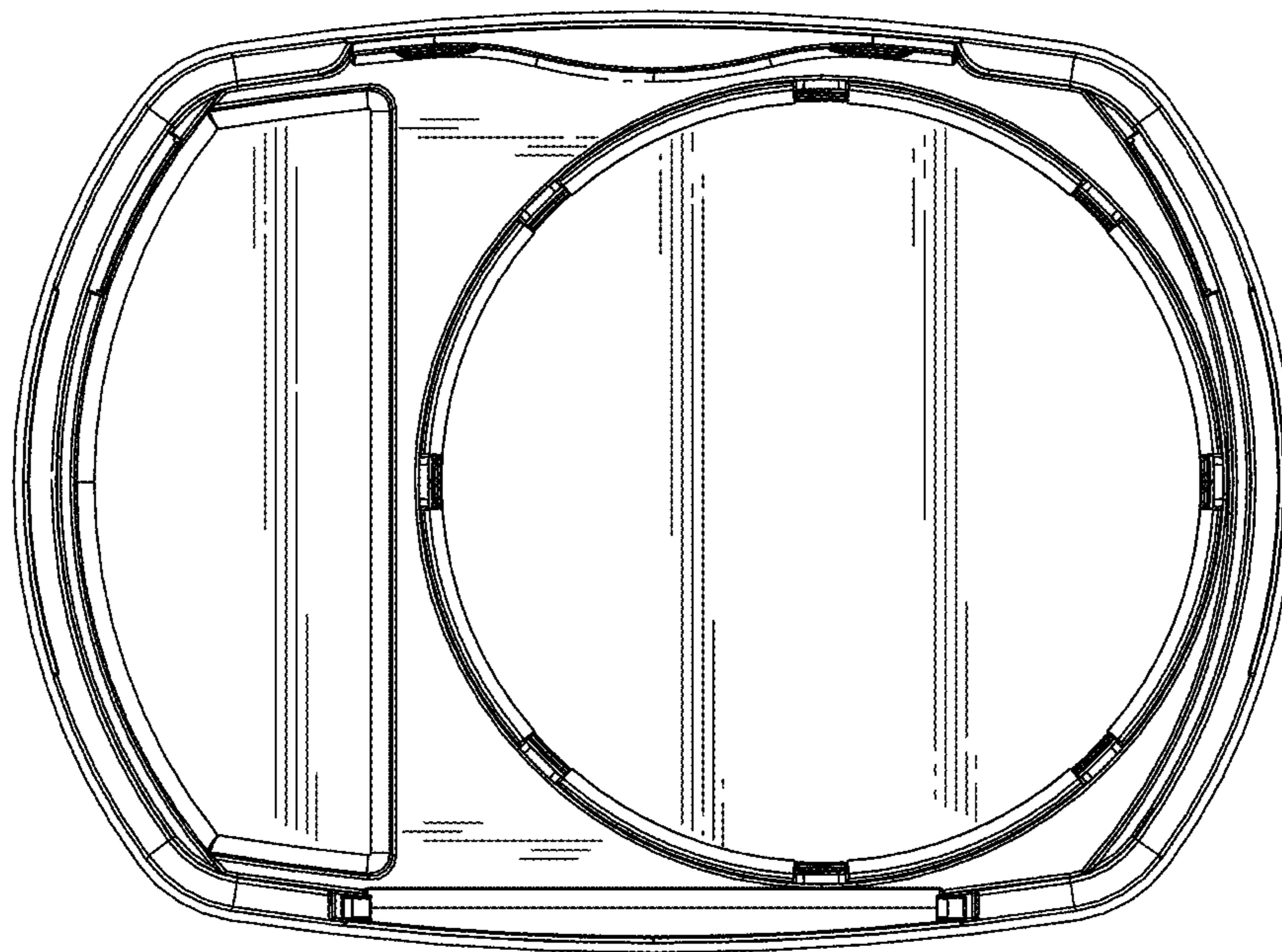


FIG. 8

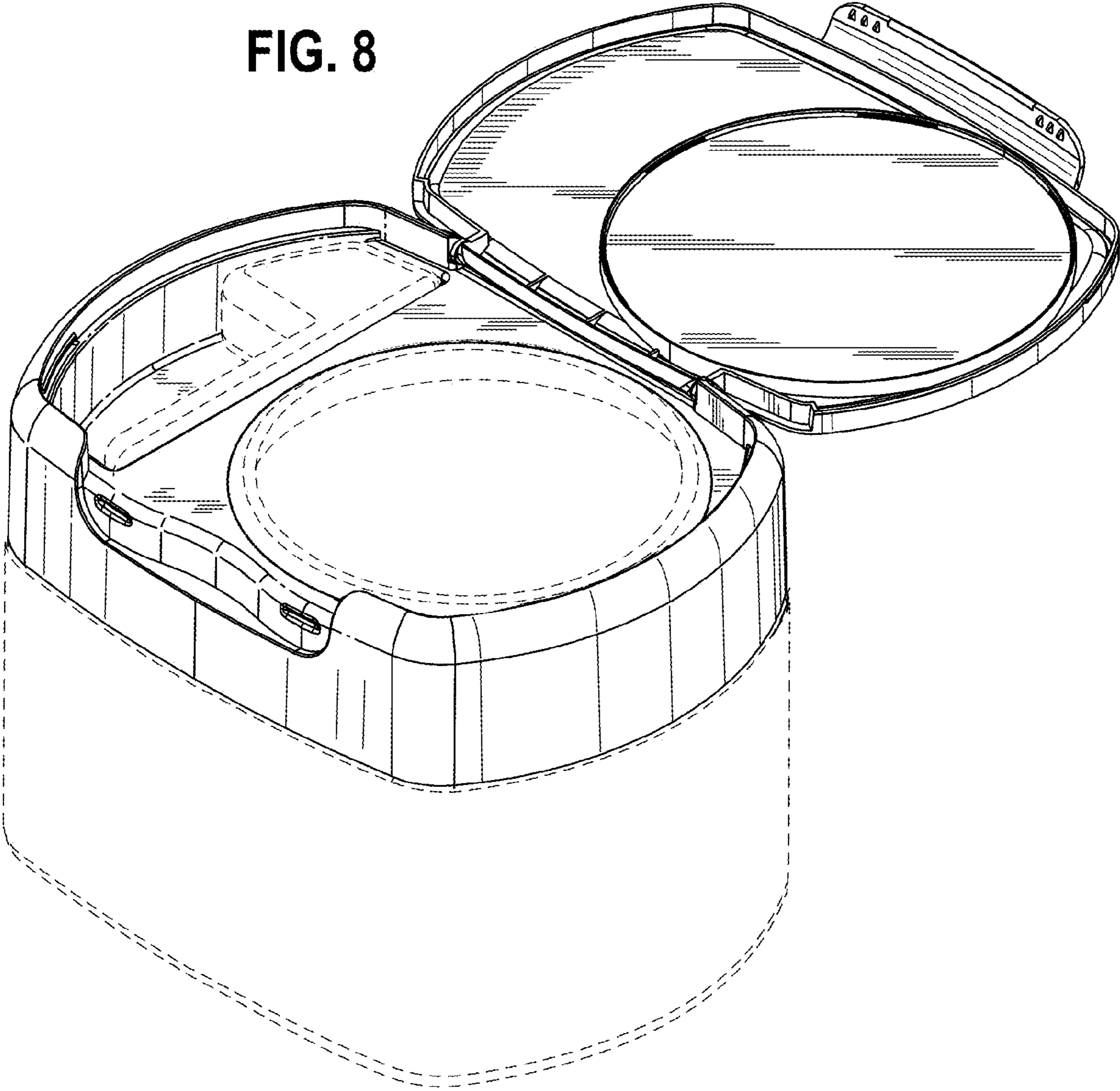


FIG. 9

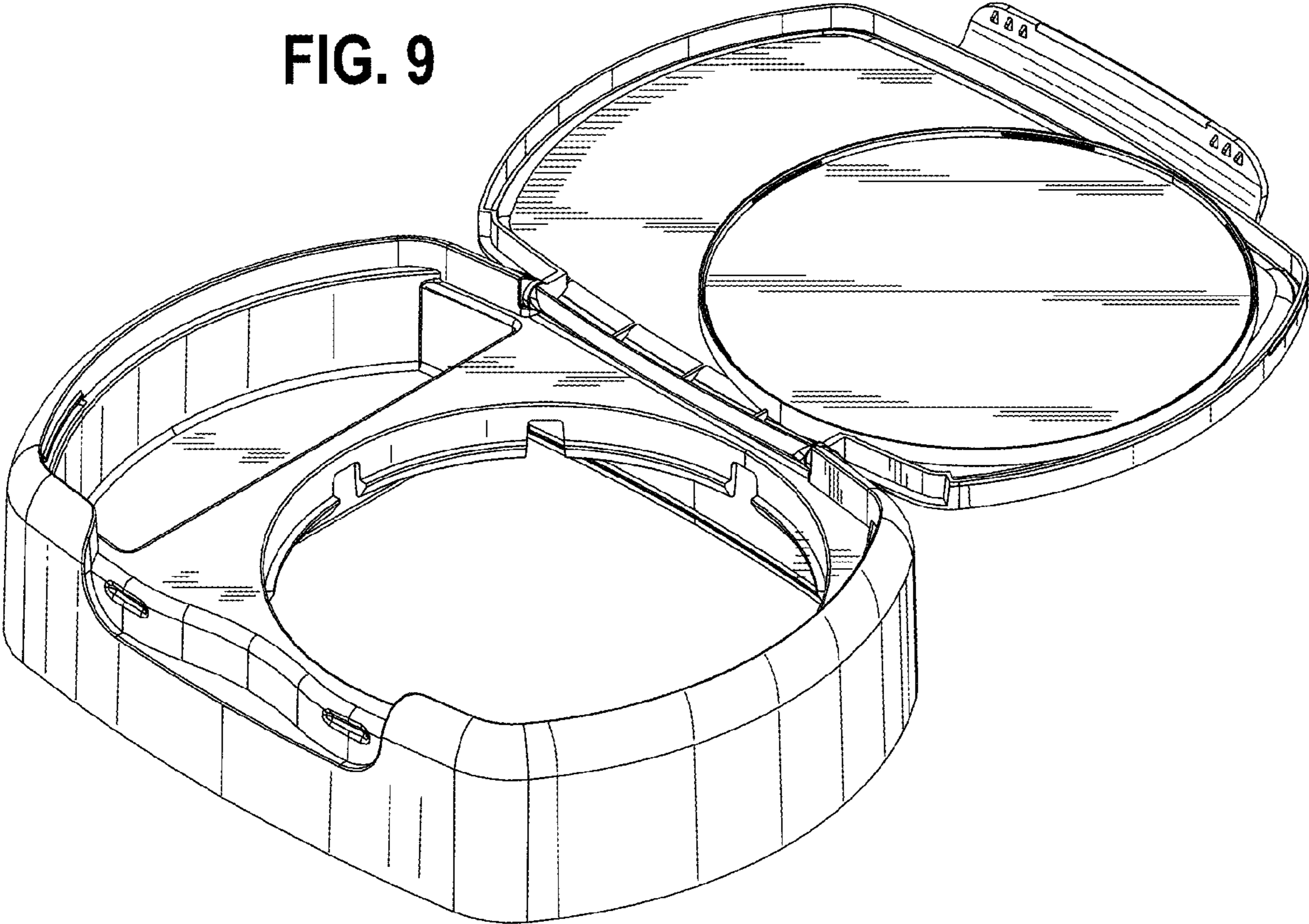


FIG. 10

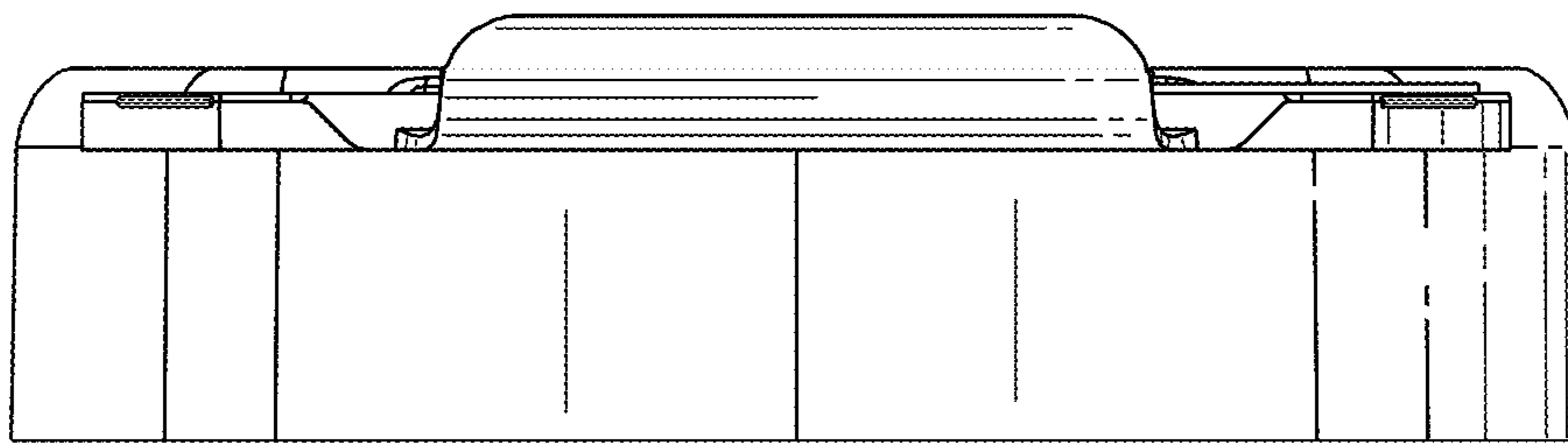


FIG. 11

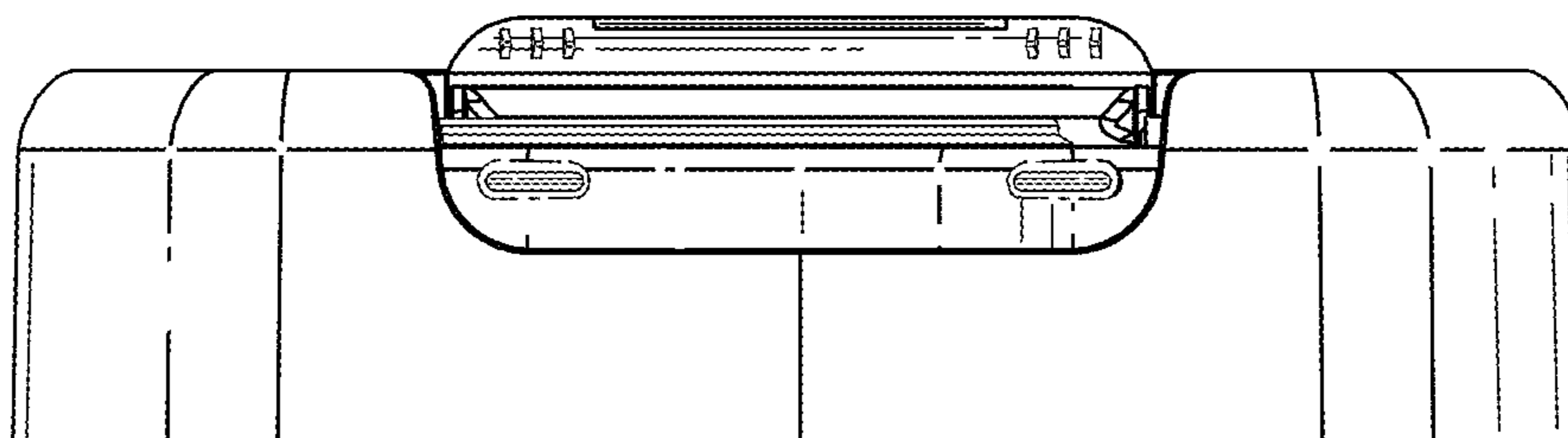


FIG. 12

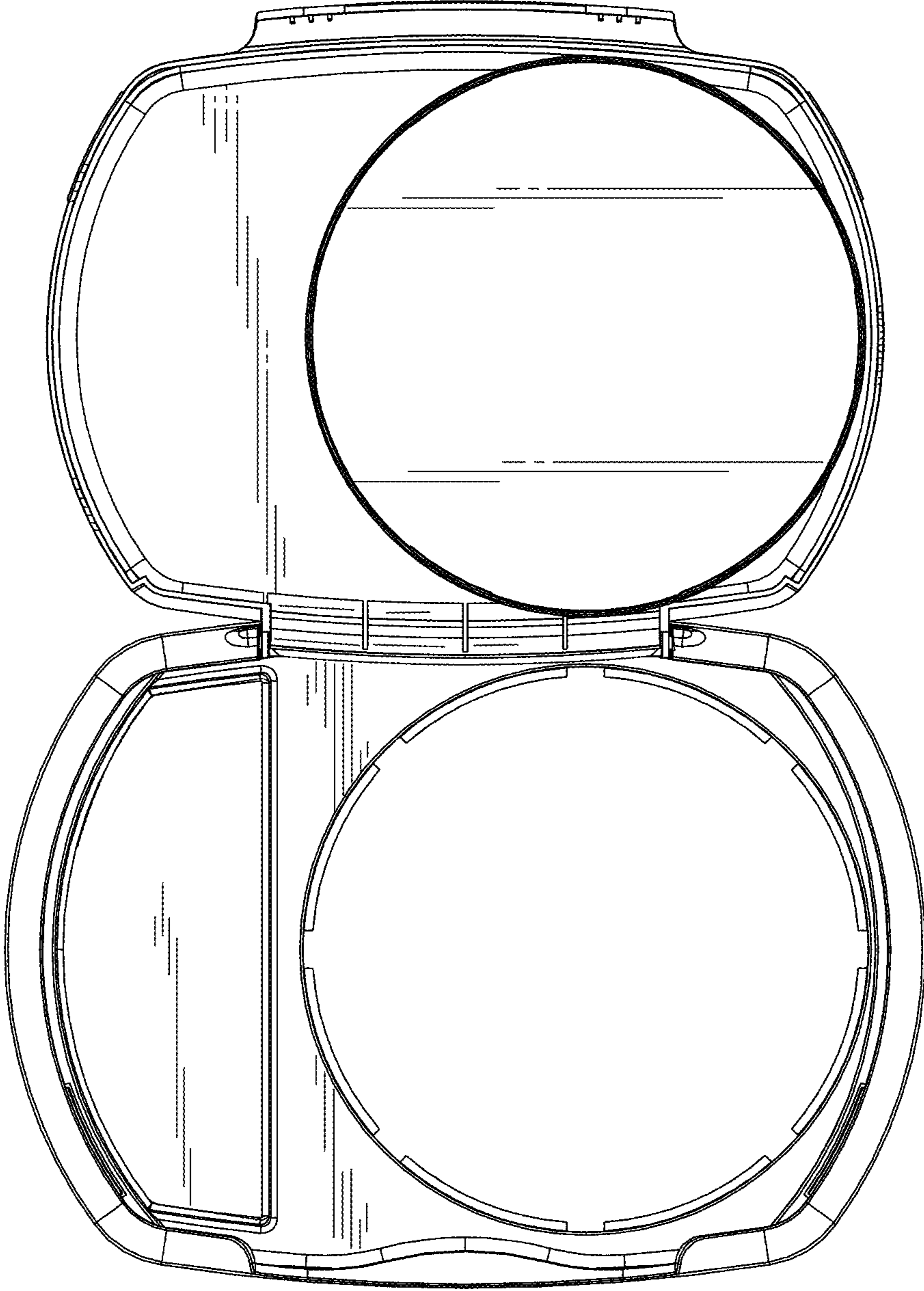


FIG. 13

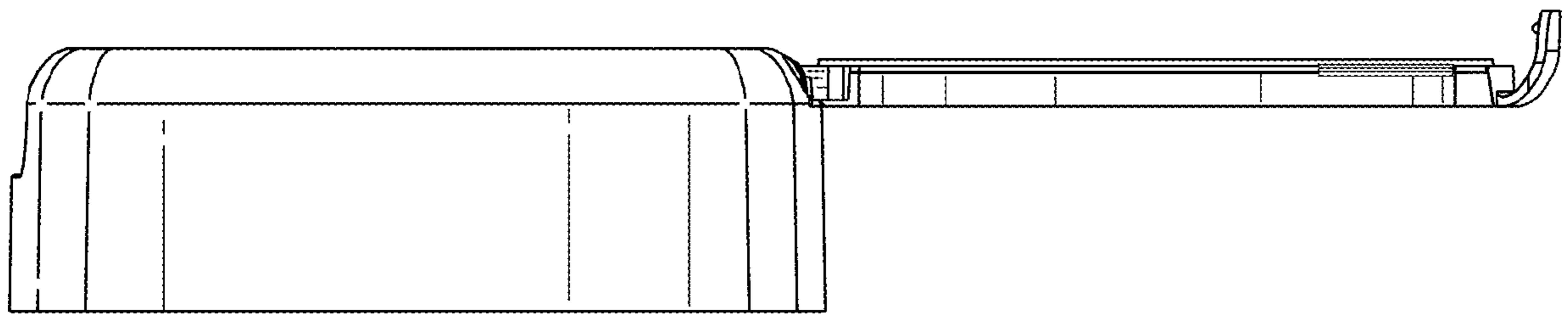


FIG. 14

