

US00D896567S

(12) **United States Design Patent**  
**Bai et al.**

(10) **Patent No.:** **US D896,567 S**

(45) **Date of Patent:** **\*\* Sep. 22, 2020**

(54) **INTELLIGENT FOOD PROCESSOR**

(71) Applicant: **Shenzhen Chuyi Technology Co., Ltd.**,  
Shenzhen (CN)

(72) Inventors: **Guangzhao Bai**, Shenzhen (CN);  
**Qichao Wu**, Shenzhen (CN)

(73) Assignee: **SHENZHEN CHUYI**  
**TECHNOLOGY CO., LTD.**, Shenzhen  
(CN)

(\*\*) Term: **15 Years**

(21) Appl. No.: **29/697,153**

(22) Filed: **Jul. 4, 2019**

(51) **LOC (12) Cl.** ..... **31-00**

(52) **U.S. Cl.**  
USPC ..... **D7/384**; D7/376; D7/378

(58) **Field of Classification Search**

USPC ..... D7/326, 372, 376-386, 412-413, 602,  
D7/629, 665-666, 669, 679, 693-694

CPC .... A21C 1/02; A21C 1/04; A23N 1/00; A23N  
1/02; A47J 43/04; A47J 43/25; A47J

43/27; A47J 43/042; A47J 43/044; A47J  
43/046; A47J 43/075; A47J 43/0722;

A47J 43/0727; A47J 43/0772; B01F 3/00;  
B01F 3/0807; B01F 3/0853; B01F

13/0059; B01F 13/0064; B02C 1/08;  
B02C 2/04; B02C 4/42; B02C 4/142;

B02C 4/143; B02C 4/423; B02C 13/1835;  
B28C 5/10; B28C 5/12; B28C 5/14;

B28C 5/16; G01G 19/56

See application file for complete search history.

(56) **References Cited**

**U.S. PATENT DOCUMENTS**

5,799,567 A \* 9/1998 Dorner ..... G01G 19/56  
99/348

D638,653 S \* 5/2011 Borin ..... A47J 43/0772  
D7/326

D645,299 S \* 9/2011 Naoun ..... A47J 43/046  
D7/376

D745,316 S \* 12/2015 Usmar ..... D7/378

D747,917 S \* 1/2016 Kemker ..... A47J 43/046  
D7/384

D751,857 S \* 3/2016 Kemker ..... D7/376

D772,001 S \* 11/2016 Kemker ..... D7/386

D772,010 S \* 11/2016 Dutruel ..... D7/412

9,635,981 B2 \* 5/2017 Barnard ..... A47J 43/046

D847,558 S \* 5/2019 Hoff ..... A47J 43/046  
D7/384

2002/0027175 A1 \* 3/2002 Capp ..... A47J 43/046  
241/199.12

2006/0263501 A1 \* 11/2006 Oghafua ..... A47J 43/046  
426/523

2016/0287011 A1 \* 10/2016 Deshayes ..... A47J 43/0772

\* cited by examiner

*Primary Examiner* — Ricky Pham

(57) **CLAIM**

The ornamental design for a intelligent food processor, as shown and described.

**DESCRIPTION**

FIG. 1 is a front elevational view of the intelligent food processor showing our new design;

FIG. 2 is a rear elevational view thereof;

FIG. 3 is a left side elevational view thereof;

FIG. 4 is a right side elevational view thereof;

FIG. 5 is a top plan view thereof;

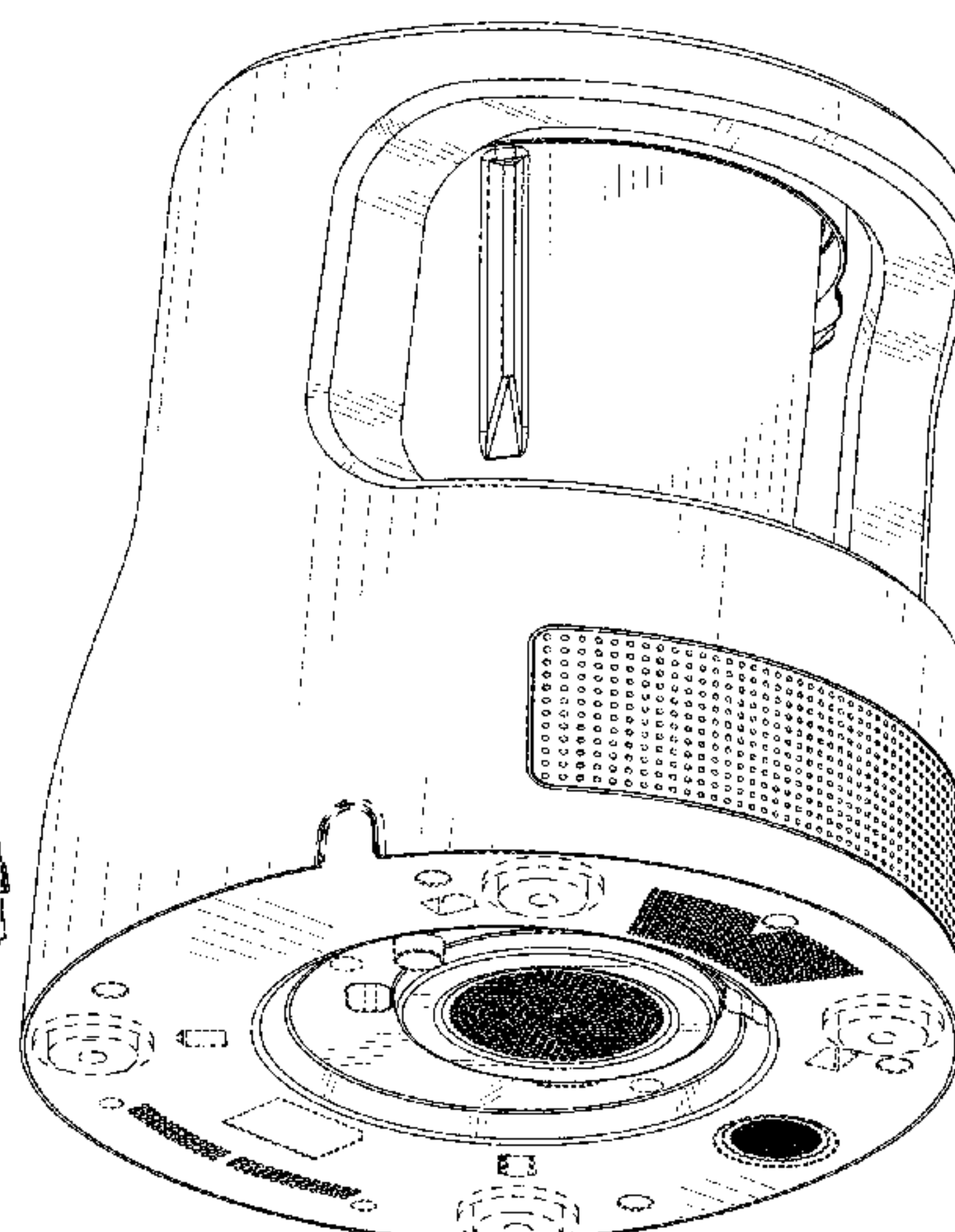
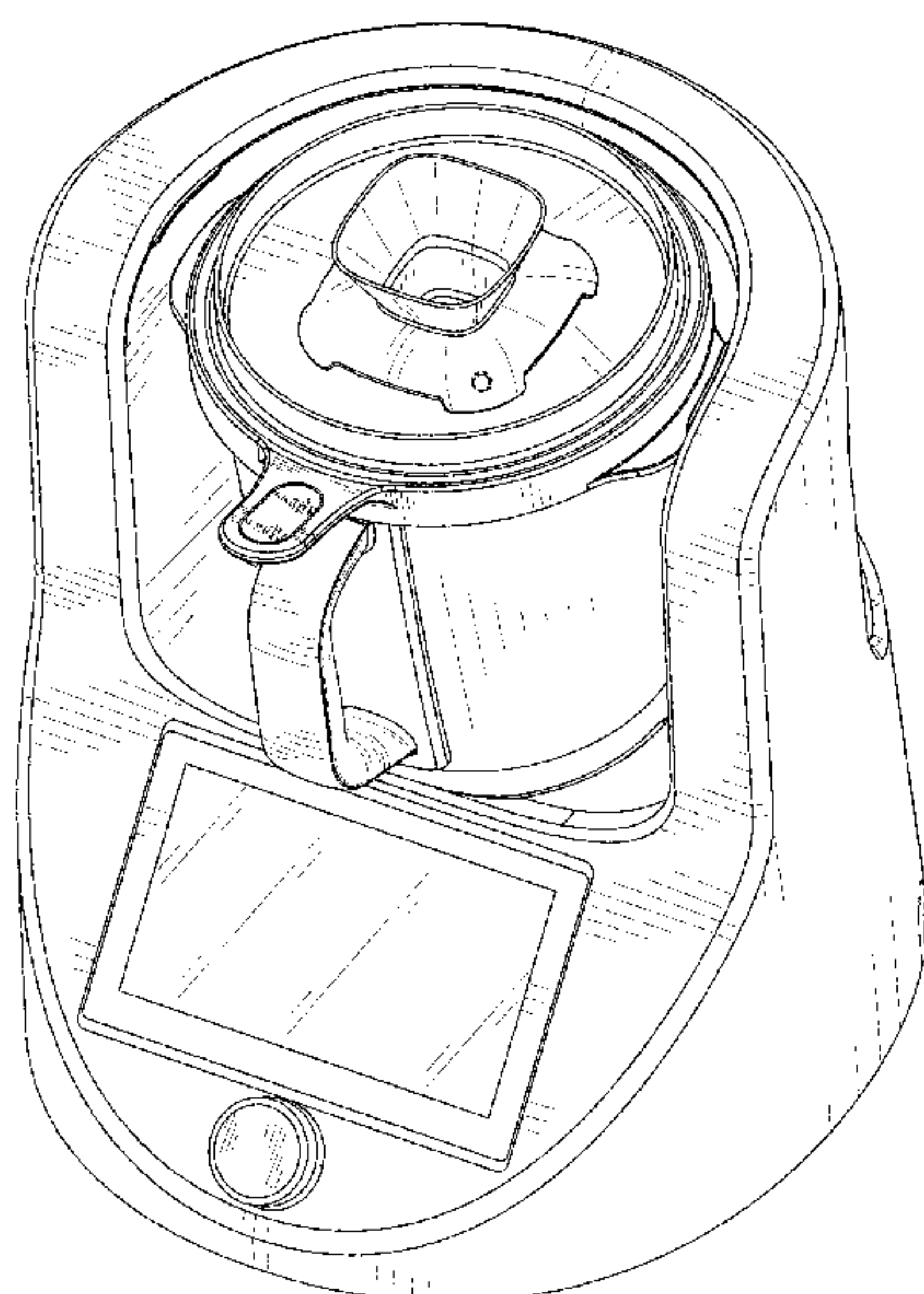
FIG. 6 is a bottom plan view thereof;

FIG. 7 is a perspective view thereof; and,

FIG. 8 is a another perspective view thereof.

The broken lines illustrate portions of the intelligent food processor that form no part of the claimed design.

**1 Claim, 8 Drawing Sheets**



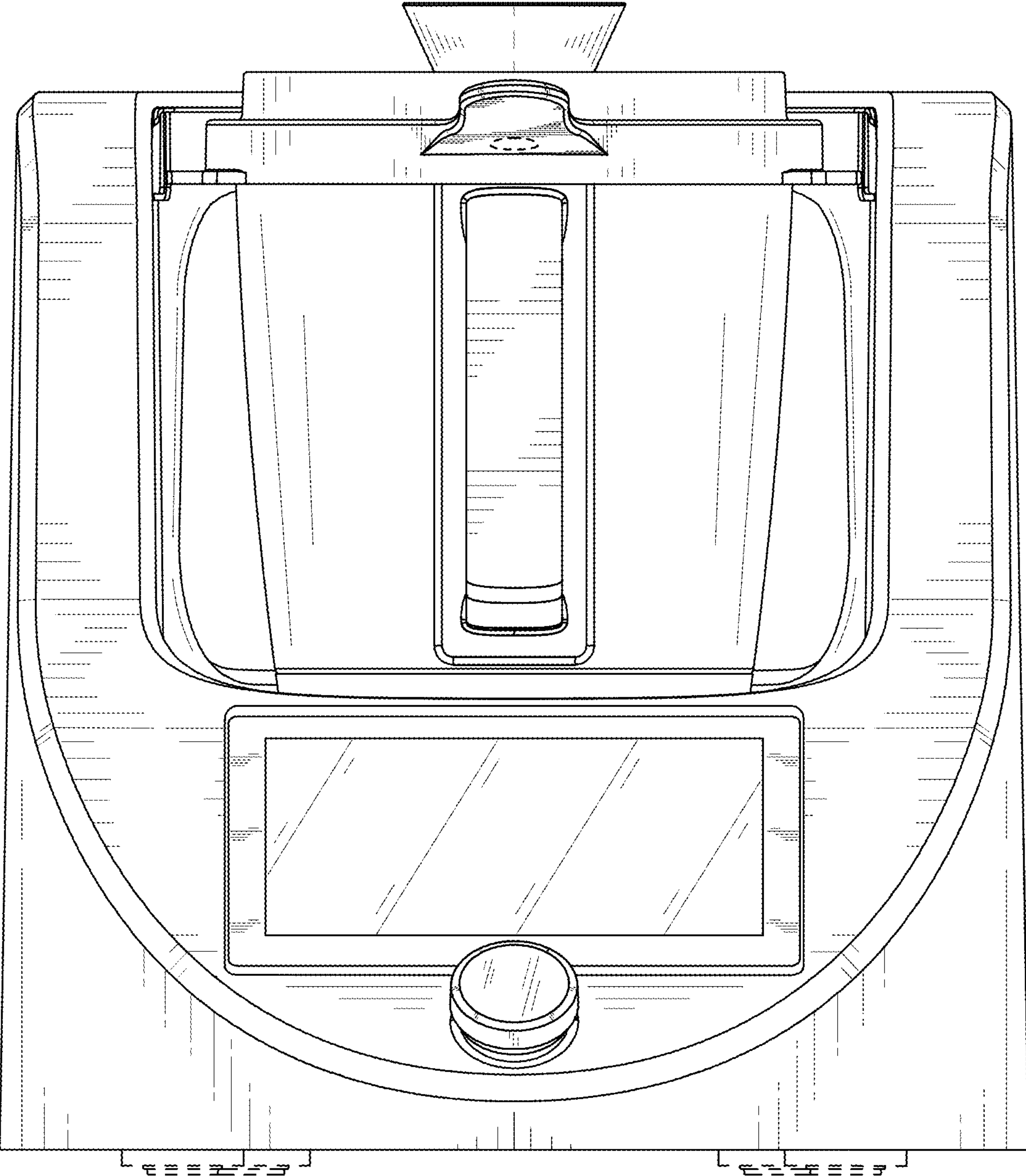


FIG. 1

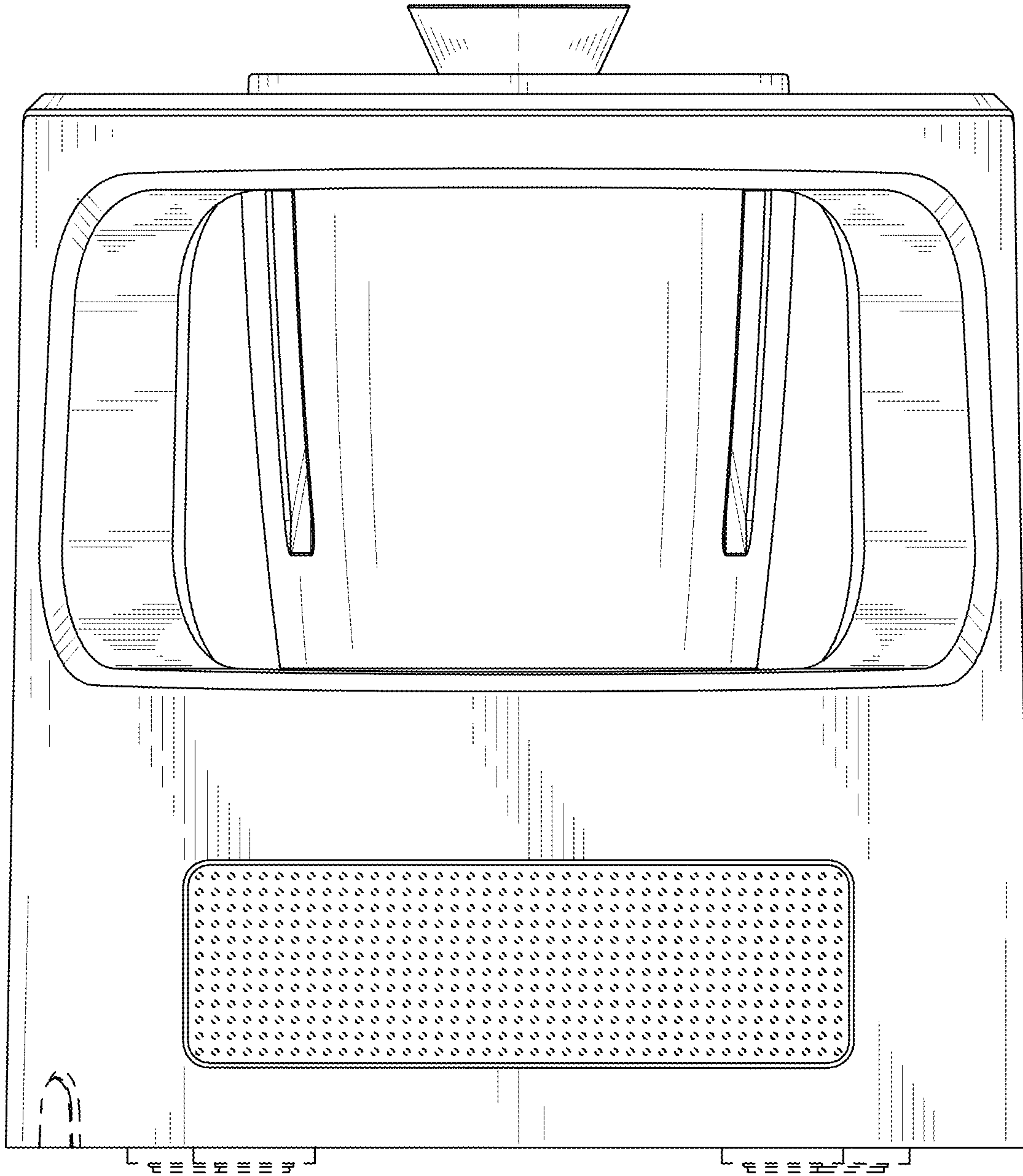


FIG. 2



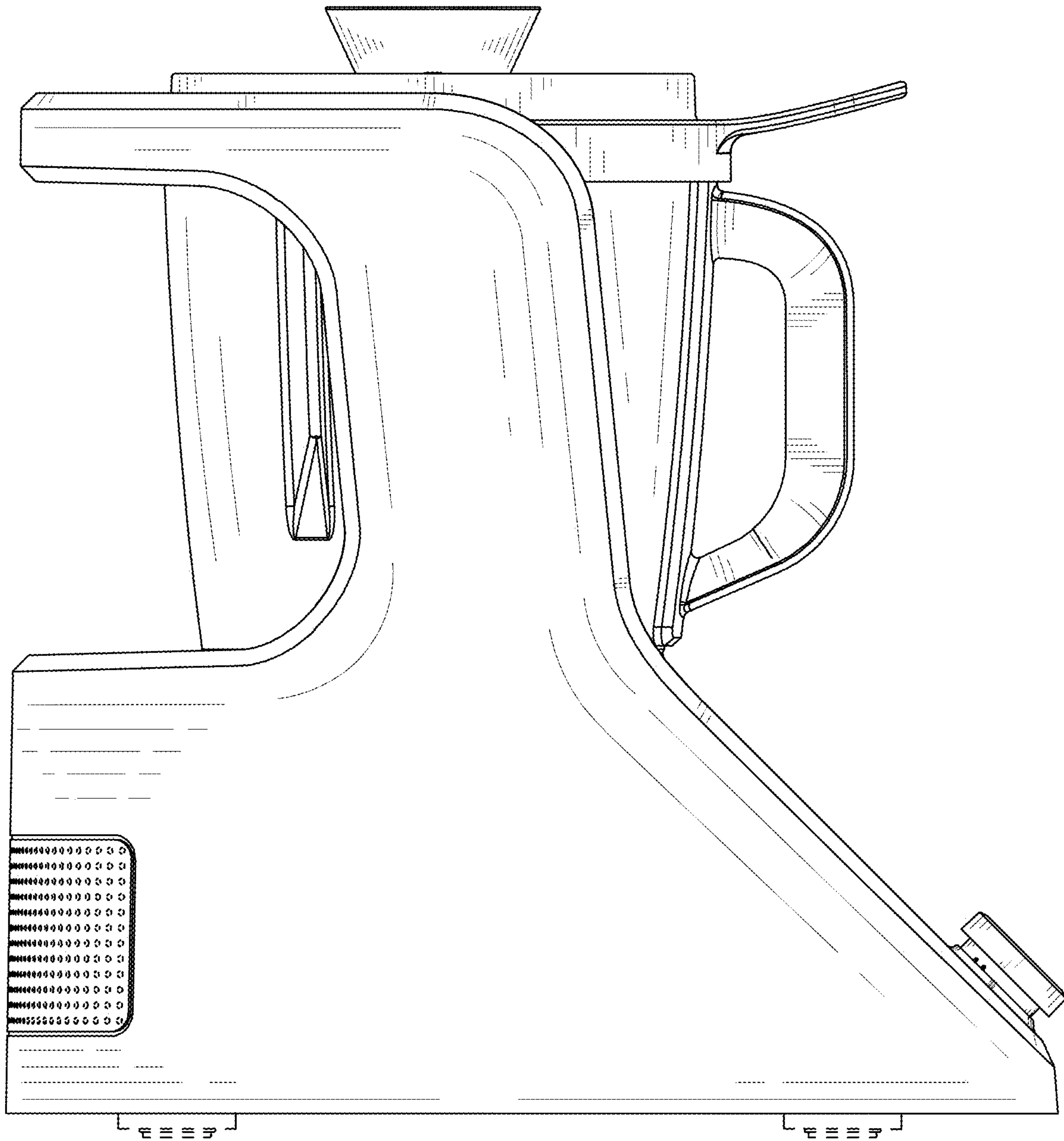


FIG. 3

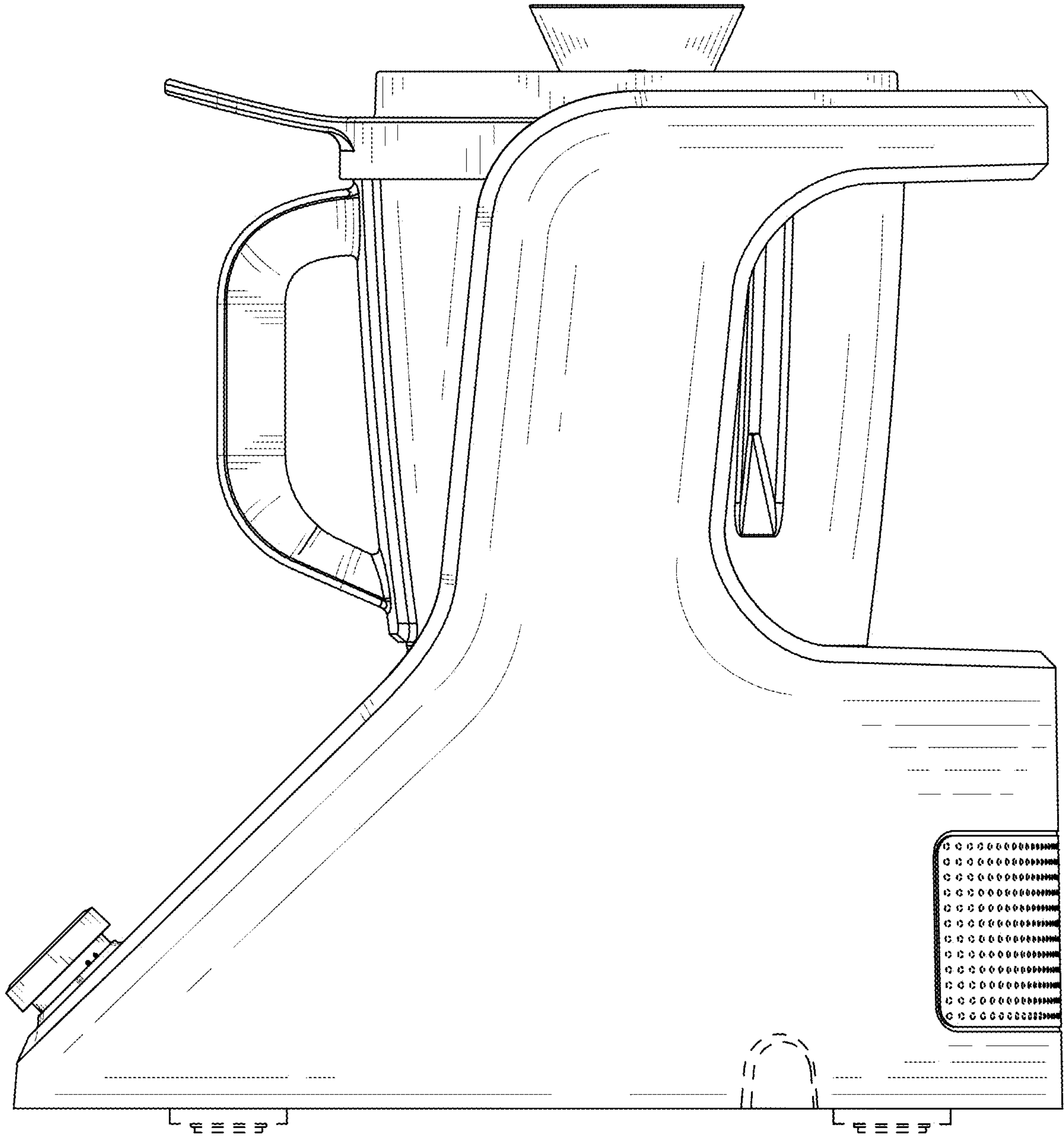


FIG. 4

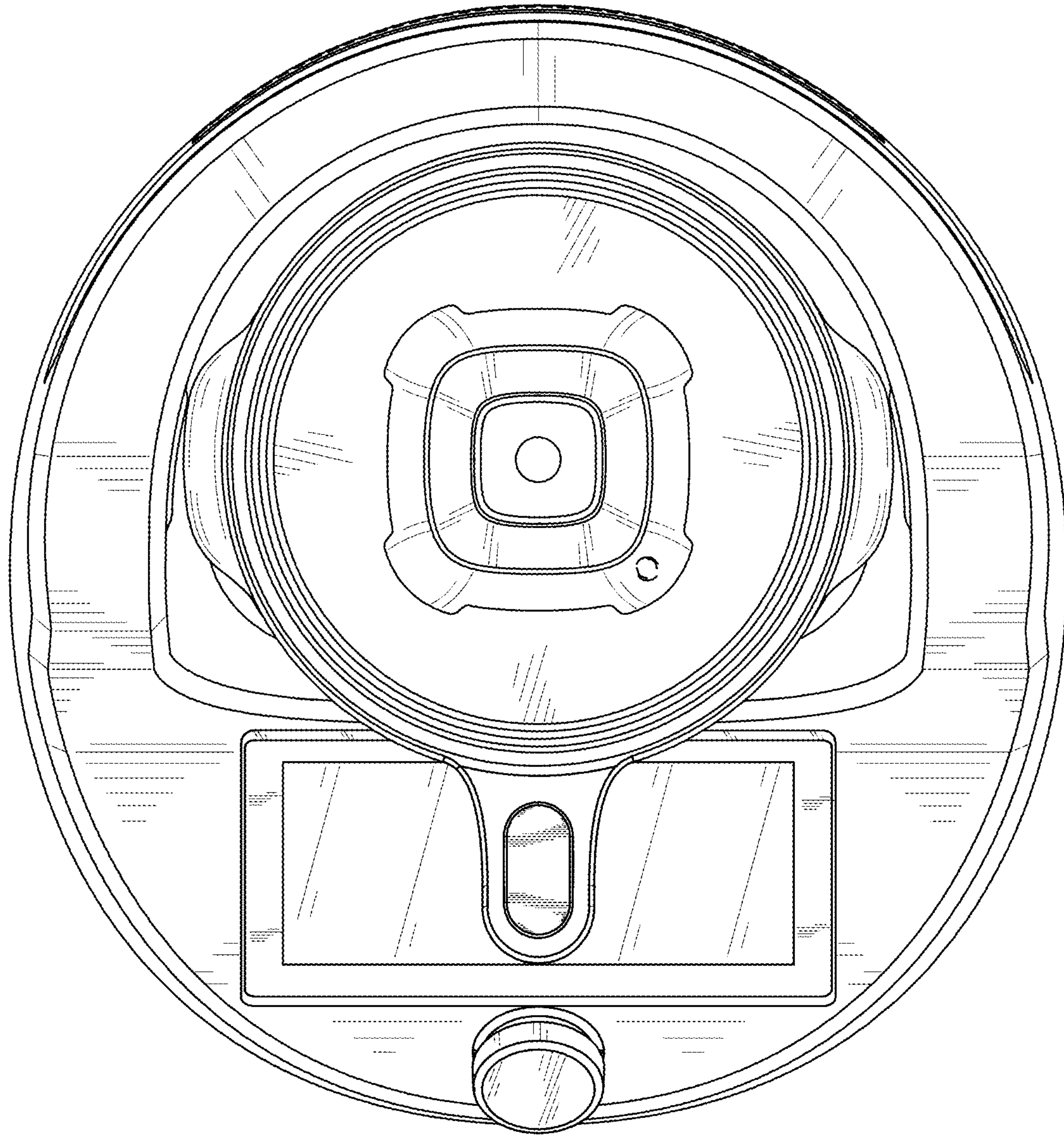


FIG. 5



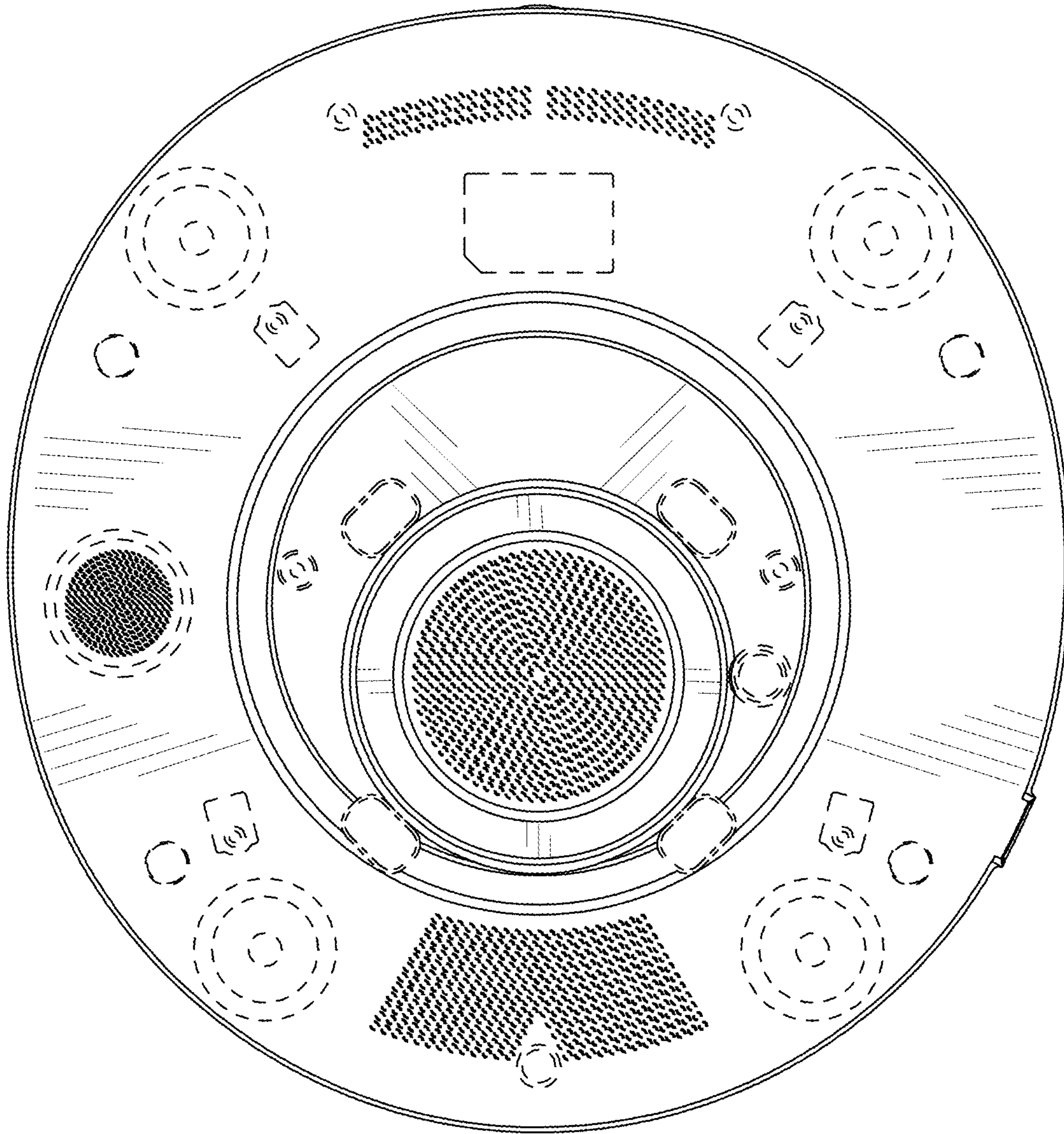


FIG. 6

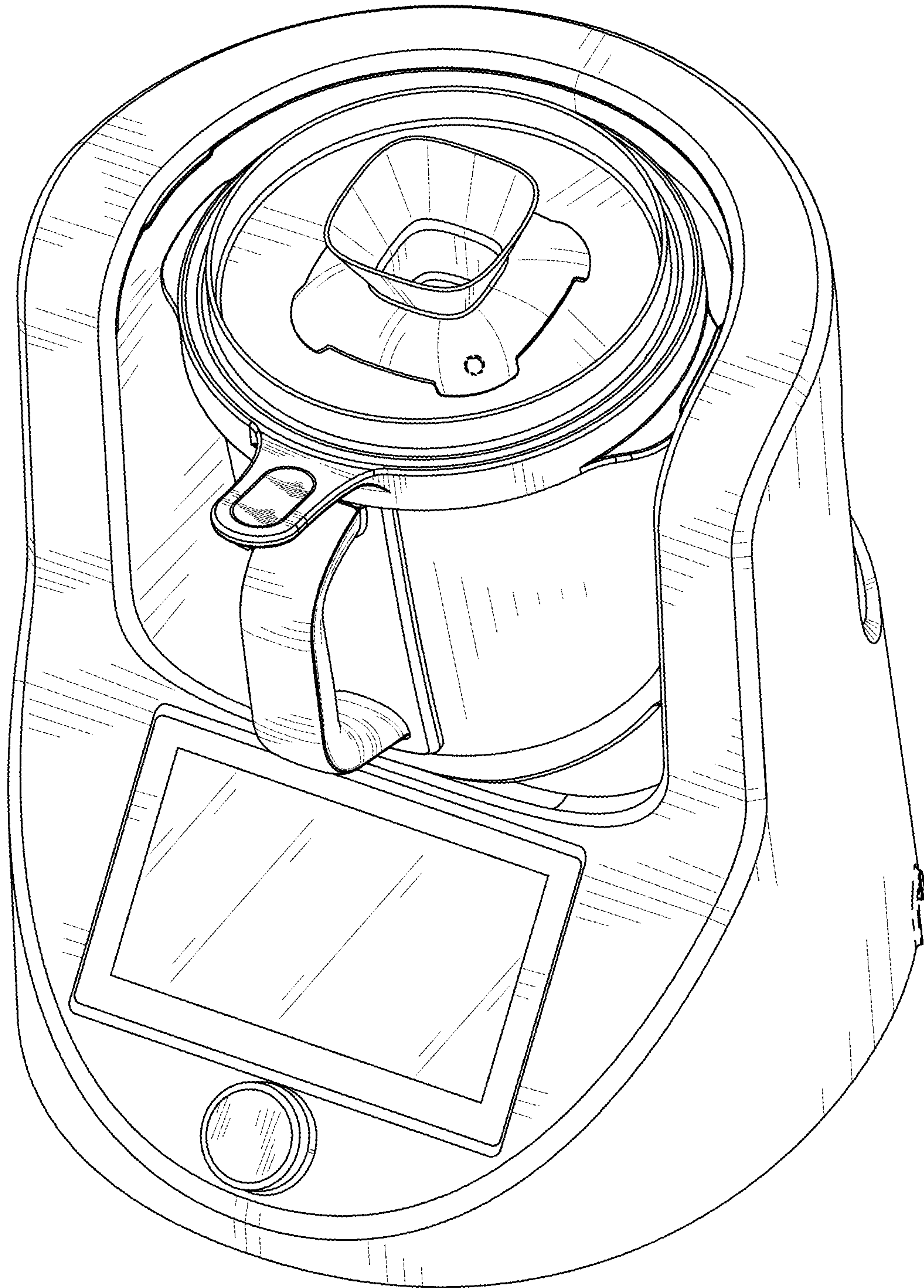


FIG. 7



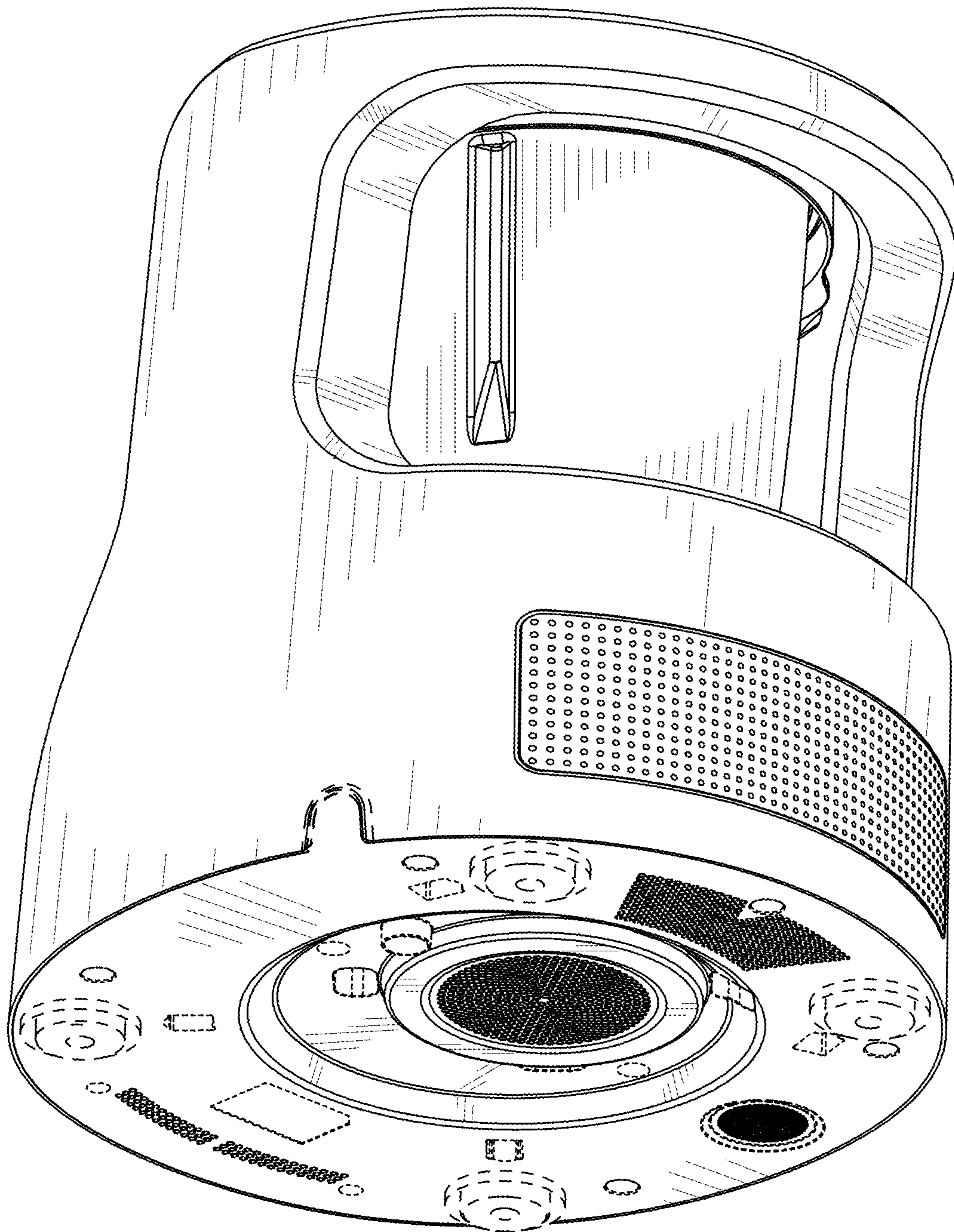


FIG. 8