



US00D896566S

(12) **United States Design Patent**
Wang et al.

(10) **Patent No.: US D896,566 S**
(45) **Date of Patent: ** Sep. 22, 2020**

(54) **BLENDER**

(71) Applicant: **Beijing Xiaomi Mobile Software Co., Ltd.**, Beijing (CN)

(72) Inventors: **Tao Wang**, Beijing (CN); **Ningning Li**, Beijing (CN)

(73) Assignee: **Beijing Xiaomi Mobile Software Co., Ltd.**, Beijing (CN)

(**) Term: **15 Years**

(21) Appl. No.: **35/507,049**

(22) Filed: **Jan. 3, 2019**

(80) **Hague Agreement Data**

Int. Filing Date: **Jan. 3, 2019**

Int. Reg. No.: **DM/201196**

Int. Reg. Date: **Jan. 3, 2019**

Int. Reg. Pub. Date: **Jul. 5, 2019**

(30) **Foreign Application Priority Data**

Jul. 12, 2018 (CN) 2018 3 0375881

(51) **LOC (12) Cl.** **31-00**

(52) **U.S. Cl.**
USPC **D7/378**

(58) **Field of Classification Search**
USPC D7/376, 378, 386, 412, 679

(Continued)

(56) **References Cited**

U.S. PATENT DOCUMENTS

D556,506 S * 12/2007 Spagnolo D7/378
D629,643 S * 12/2010 Bower D7/376

(Continued)

OTHER PUBLICATIONS

Screenshot: Xiaomi Mijia Upright High Speed Portable Blender Professional Blender Food Processor APP Remote—White China.

Undated; one page. Found online Apr. 9, 2020 at https://www.gearbest.com/blender---mixer/pp_3009862346425020.html (Year: 2020).*

(Continued)

Primary Examiner — Robert M. Spear

(74) *Attorney, Agent, or Firm* — Syncoda LLC; Feng Ma

(57) **CLAIM**

The ornamental design for a blender, as shown and described.

DESCRIPTION

1. Blender

1.1 : Perspective view of a blender;

1.2 : Exploded view of a blender;

1.3 : Front view of the blender container, shown removed from the blender for clarity of disclosure;

1.4 : Right view of the blender container, shown removed from the blender for clarity of disclosure;

1.5 : Front view of the blender base, shown removed from the blender for clarity of disclosure;

1.6 : Back view of the blender base, shown removed from the blender for clarity of disclosure;

1.7 : Left view of the blender base, shown removed from the blender for clarity of disclosure;

1.8 : Back view of the blender container, shown removed from the blender for clarity of disclosure;

1.9 : Left view of the blender container, shown removed from the blender for clarity of disclosure;

1.10 : Top view of the blender container, shown removed from the blender for clarity of disclosure;

1.11 : Bottom view of the blender container, shown removed from the blender for clarity of disclosure;

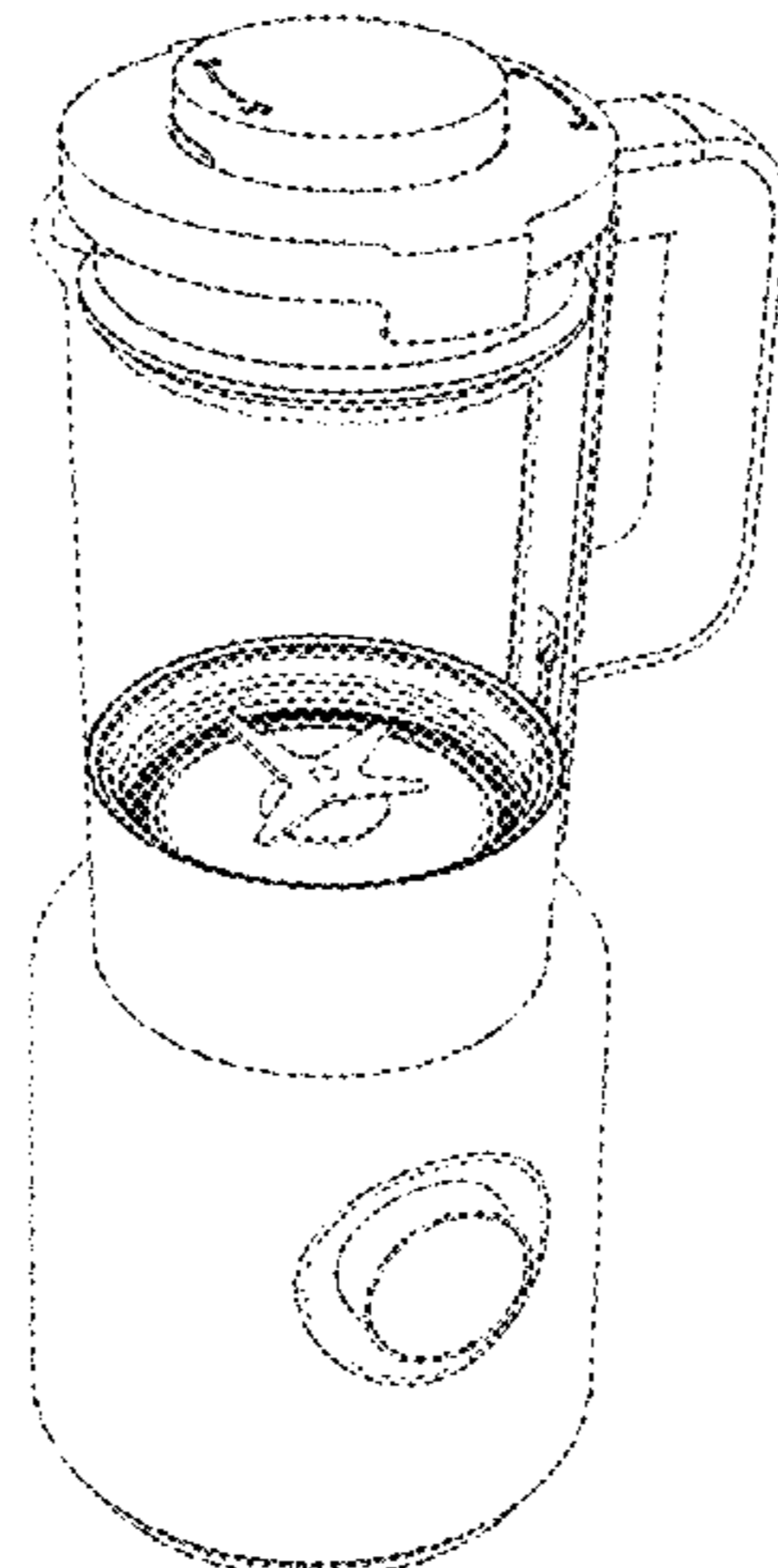
1.12 : Perspective view of the blender container, shown removed from the blender for clarity of disclosure;

1.13 : Right view of the blender base, shown removed from the blender for clarity of disclosure;

1.14 : Top view of the blender base, shown removed from the blender for clarity of disclosure;

1.15 : Bottom view of the blender base, shown removed from the blender for clarity of disclosure; and

(Continued)



1.16 : Perspective view of the blender base, shown removed from the blender for clarity of disclosure.

1 Claim, 16 Drawing Sheets

(58) Field of Classification Search

CPC A47J 31/00; A47J 43/04; A47J 43/046; A47J 2043/04418; A47J 2043/04454; B01F 13/0064

See application file for complete search history.

(56) References Cited

U.S. PATENT DOCUMENTS

D630,467	S	*	1/2011	Harrod	D7/372
D728,302	S	*	5/2015	Vu	D7/376
D728,303	S	*	5/2015	Vu	D7/376
9,039,274	B1	*	5/2015	Corde A47J 43/046	
					366/199	
D782,865	S	*	4/2017	Bazzicalupo	D7/376
D782,866	S	*	4/2017	Suess	D7/376
D793,803	S	*	8/2017	Patel	D7/376
D794,385	S	*	8/2017	Lee	D7/376
D811,166	S	*	2/2018	Smith	D7/413

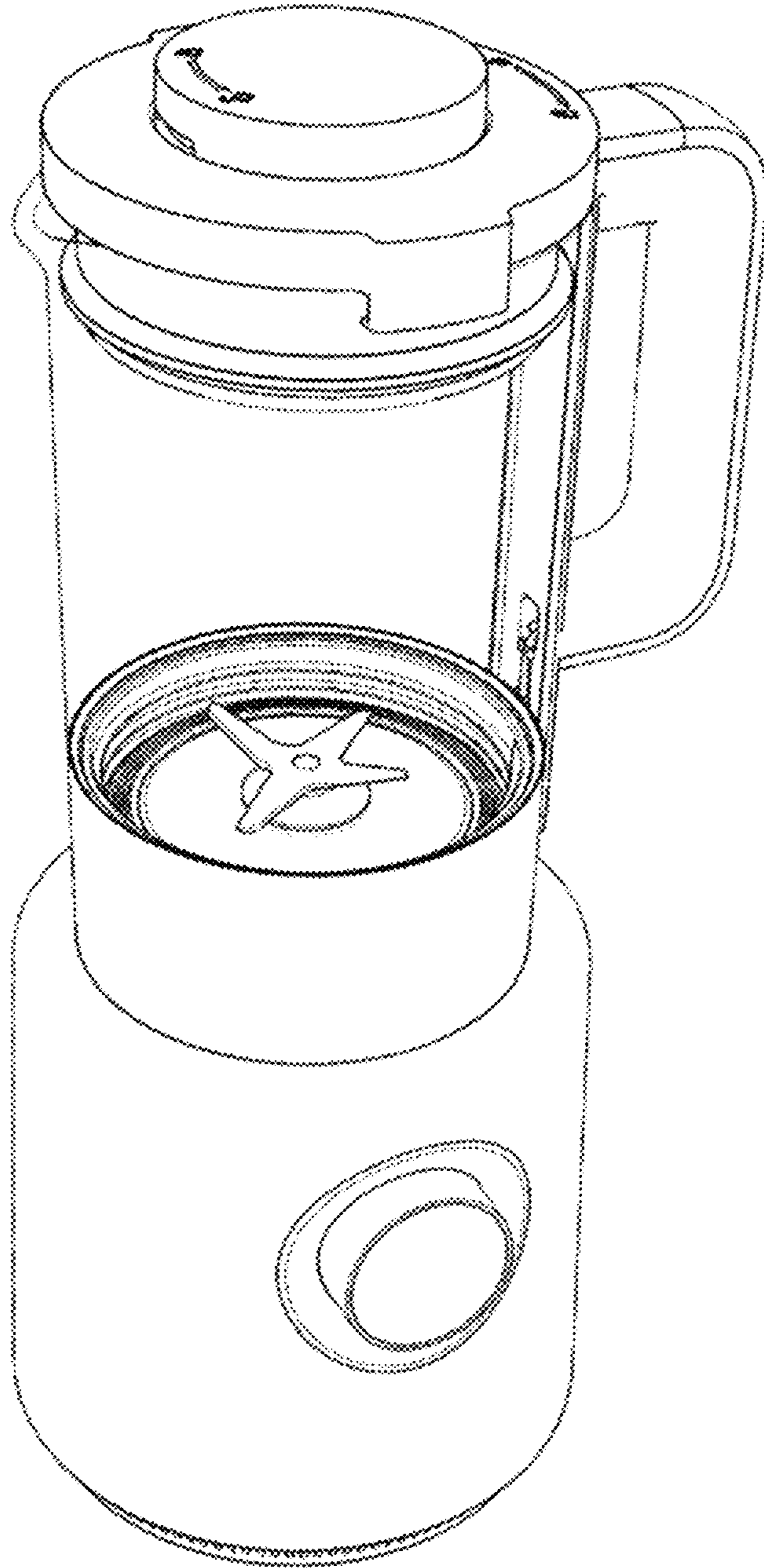
D815,486	S	*	4/2018	Suess	D7/386
D815,886	S	*	4/2018	Huang	D7/378
D817,080	S	*	5/2018	Seidl	D7/377
D829,042	S	*	9/2018	Duan	D7/378
D833,804	S	*	11/2018	Huang	D7/378
D836,385	S	*	12/2018	Arzunyan	D7/378
D838,539	S	*	1/2019	Shin	D7/378
D842,020	S	*	3/2019	Augustyn	D7/326
D847,557	S	*	5/2019	Kraemer	D7/373
D850,845	S	*	6/2019	Pan	D7/378
10,368,695	B2	*	8/2019	Shanmugam G02F 1/137	
10,383,482	B1	*	8/2019	Pamplin H02J 7/00	
D859,938	S	*	9/2019	Yu	D7/665
D862,975	S	*	10/2019	Bodum A47J 43/046	
					D7/378	
D863,870	S	*	10/2019	Powell	D7/378
D867,806	S	*	11/2019	Bodum	D7/377
2016/0130052	A1	*	5/2016	Stenglein B65D 47/06	
					220/212	

OTHER PUBLICATIONS

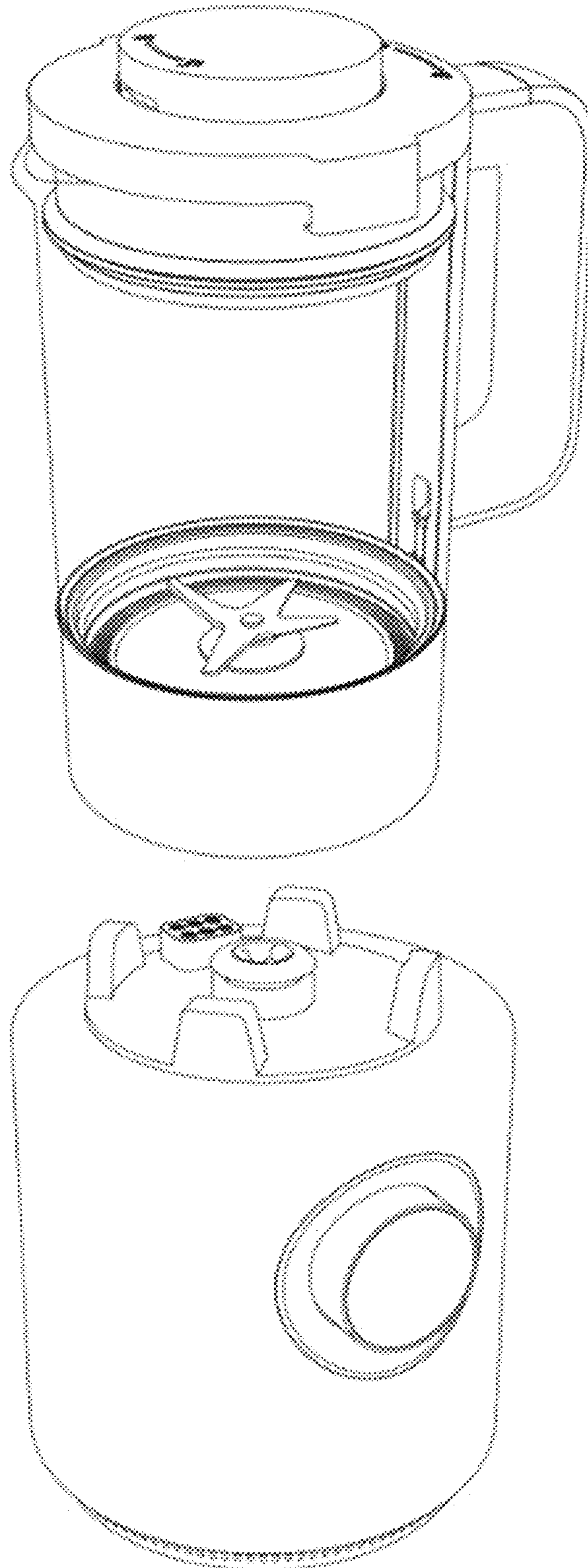
Indonesia Patent Office, Office Action Issued in Application No. AID201900052, dated Oct. 11, 2019, 7 pages. (Submitted with English Translation).

* cited by examiner

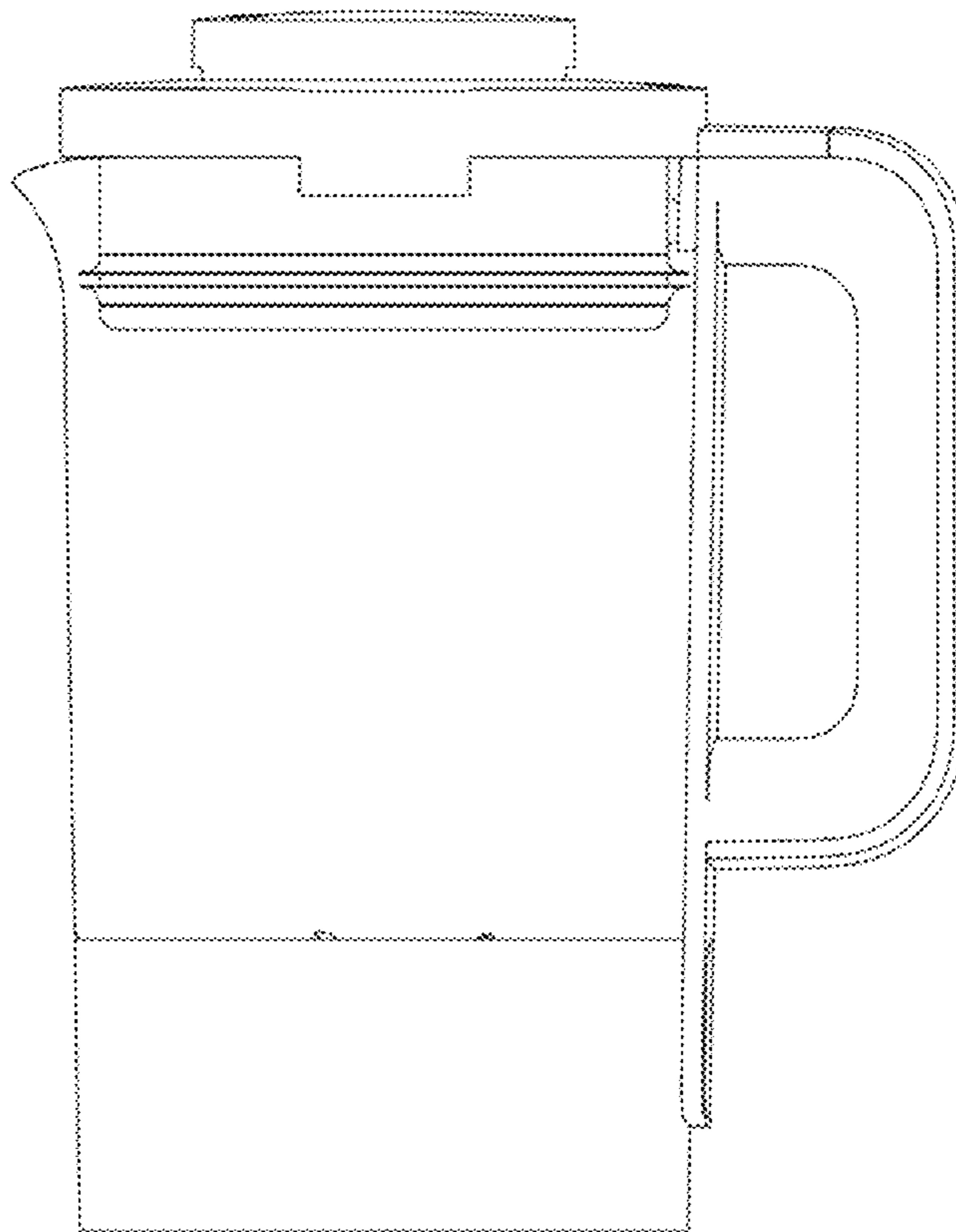
1.1



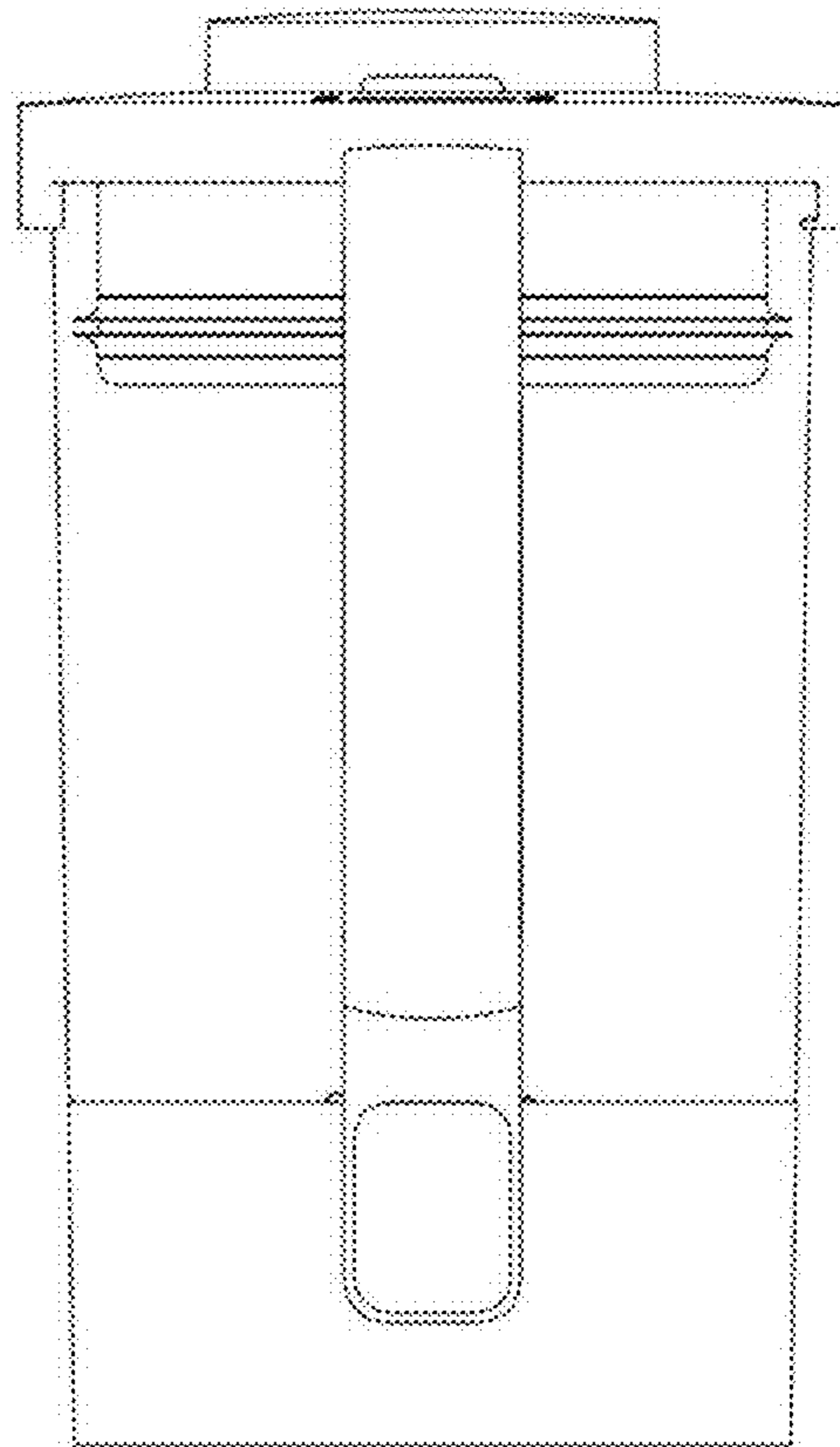
1.2



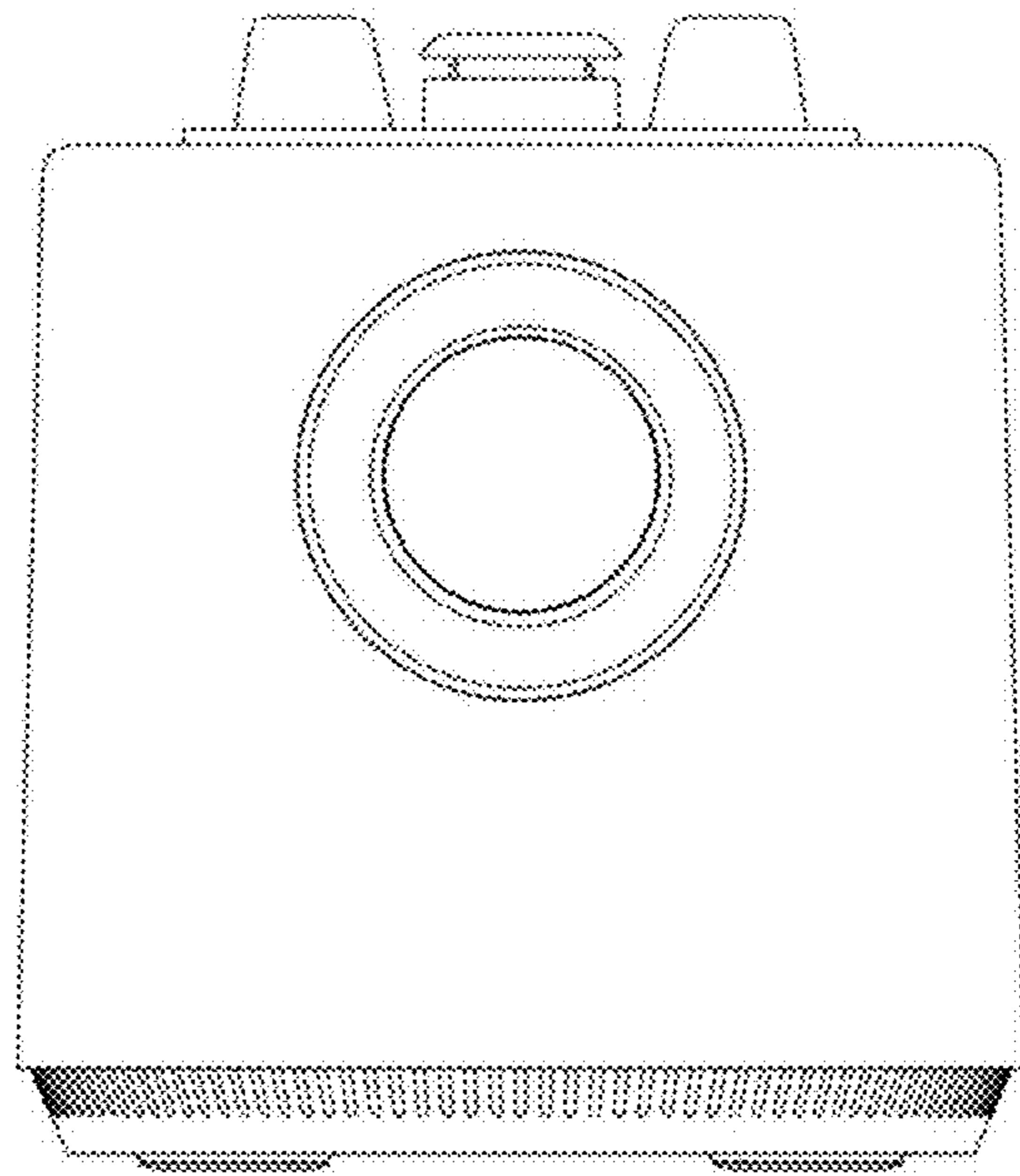
1.3



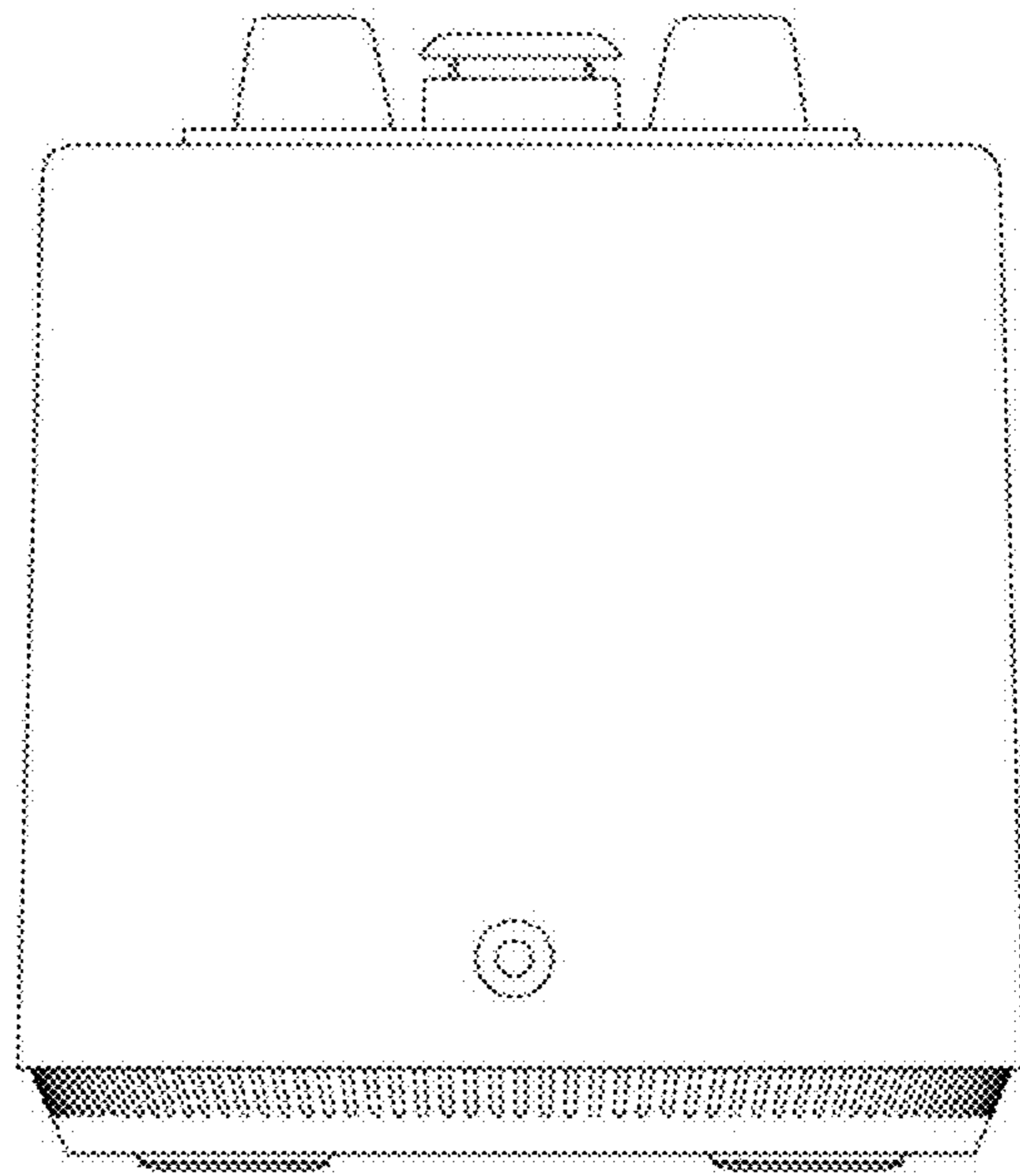
1.4



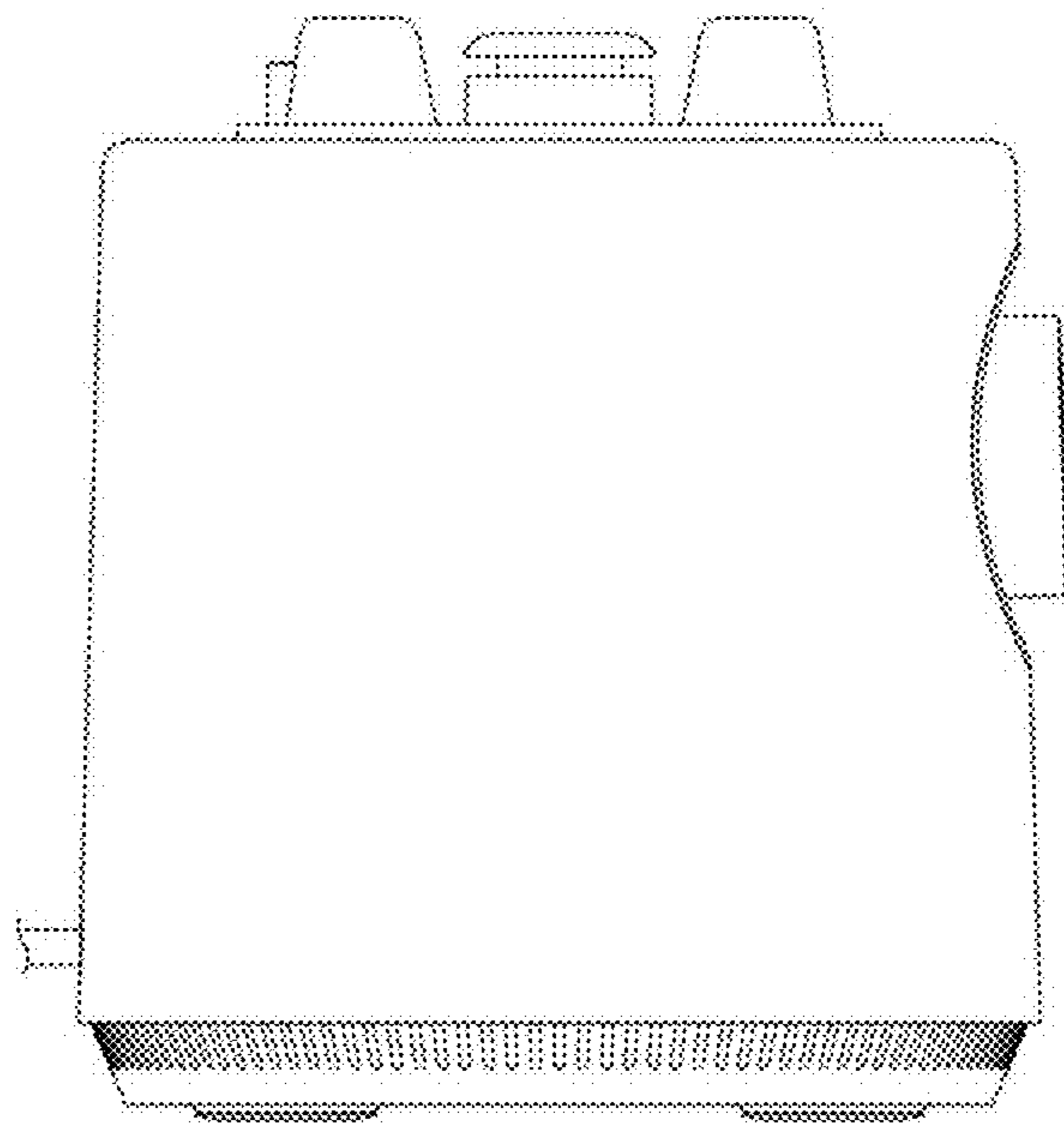
1.5



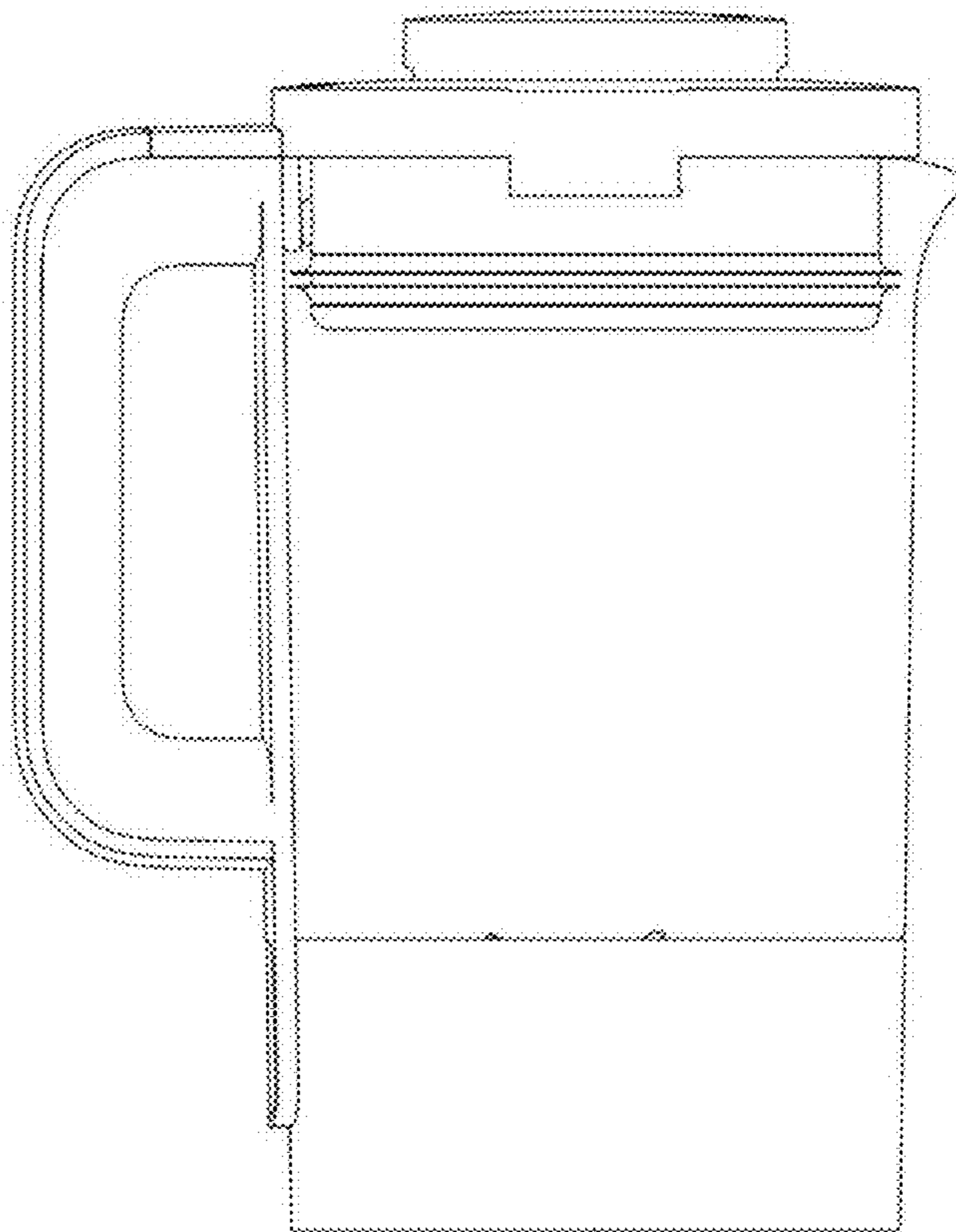
1.6



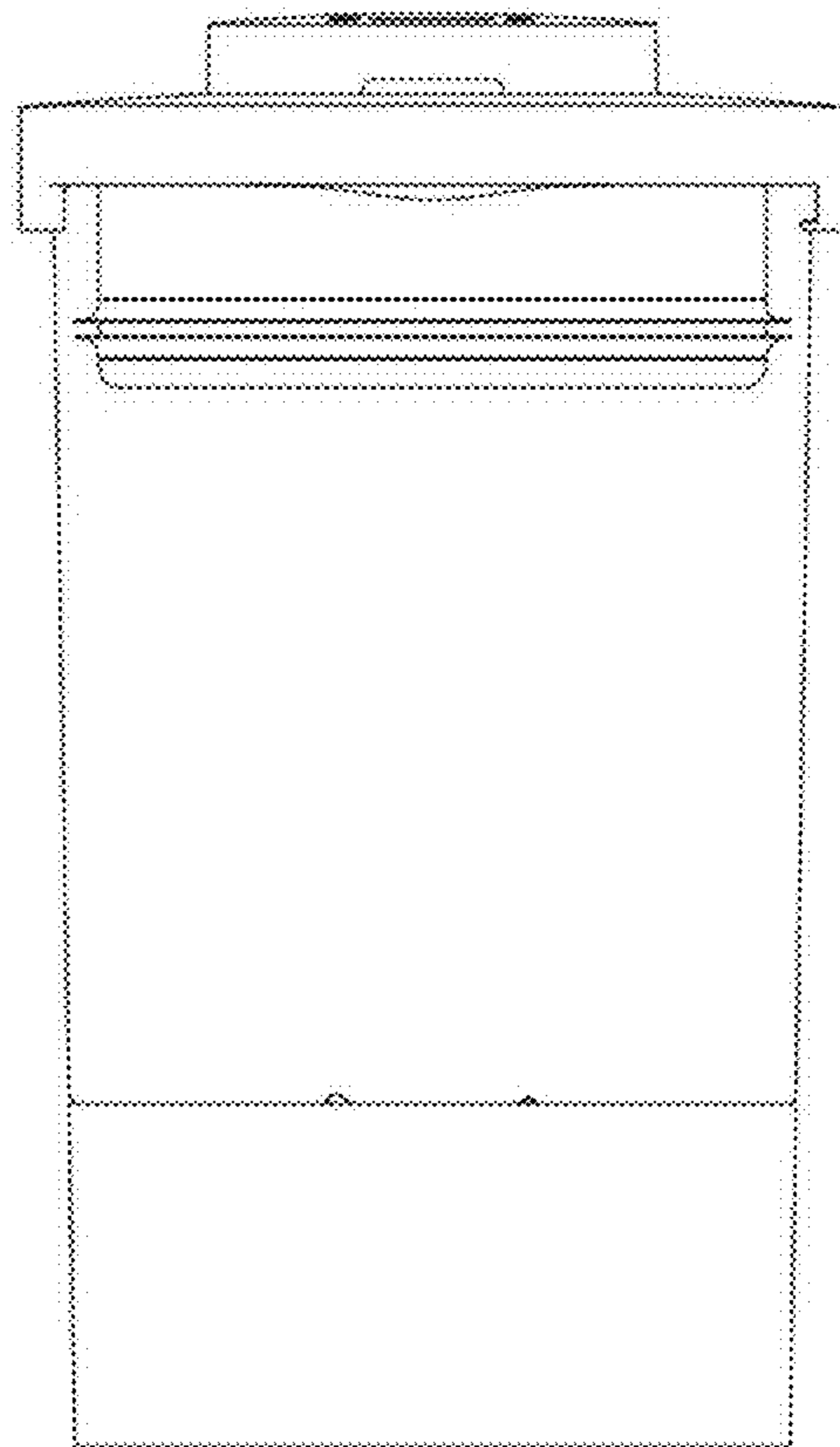
1.7



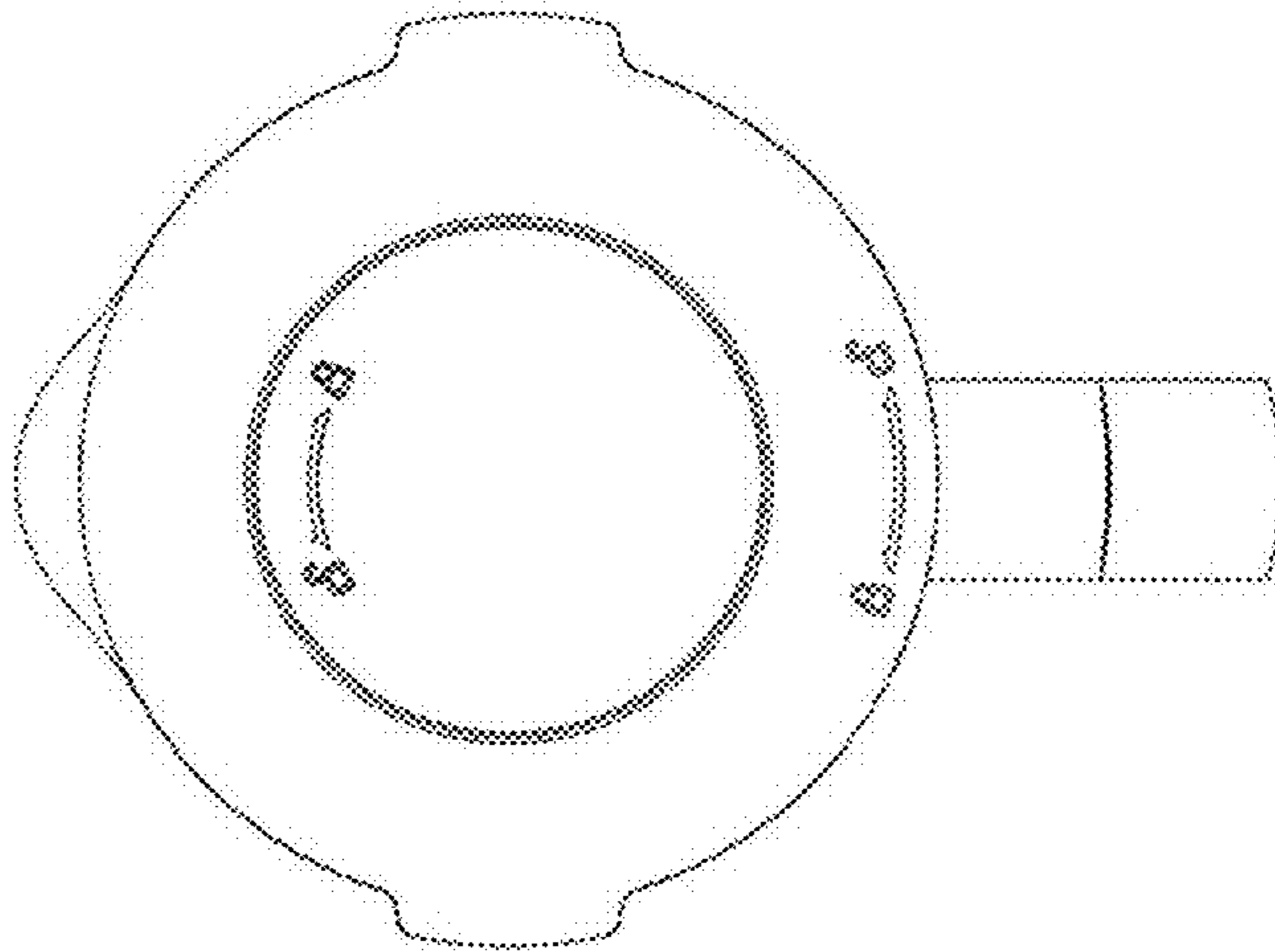
1.8



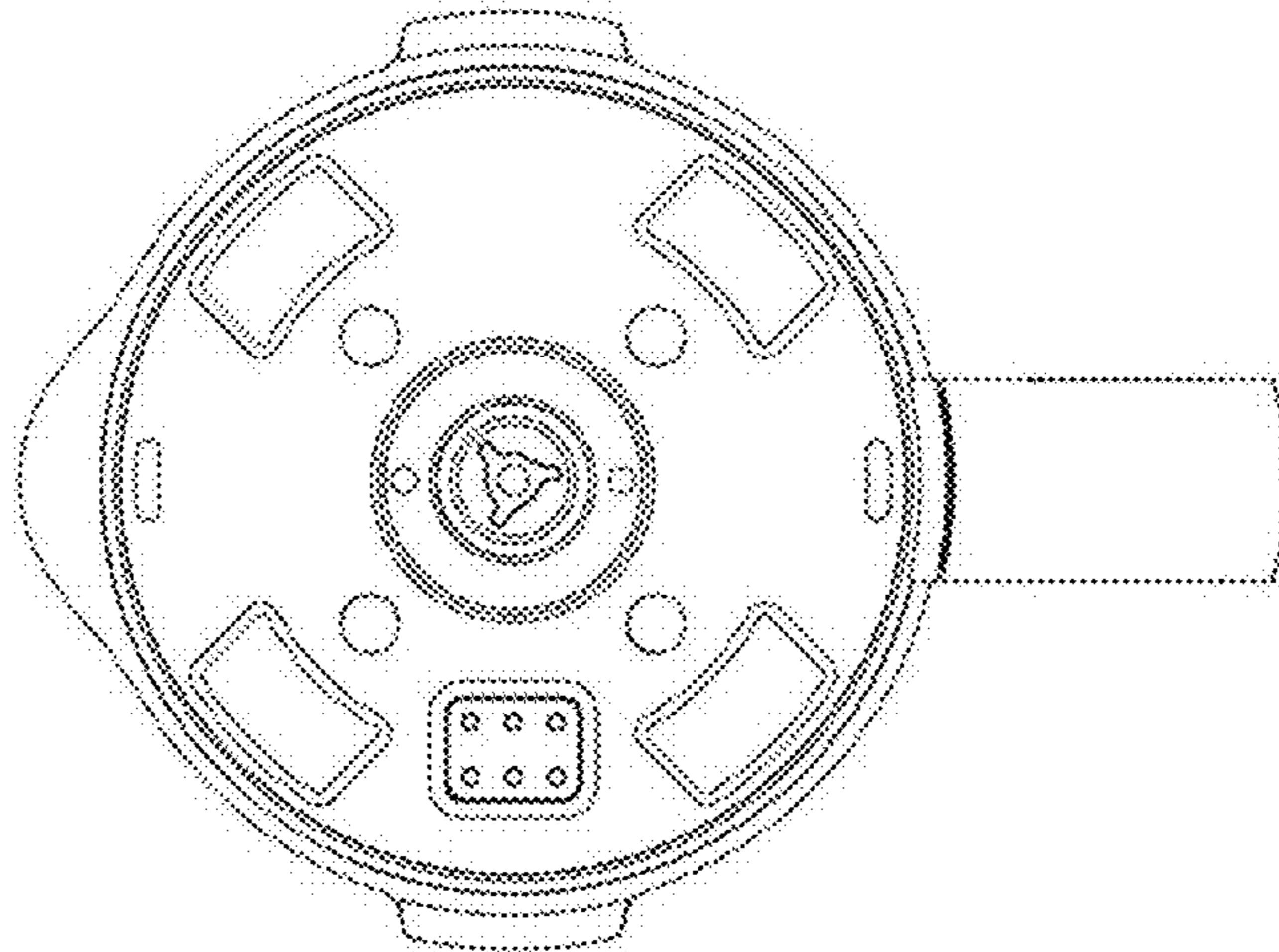
1.9



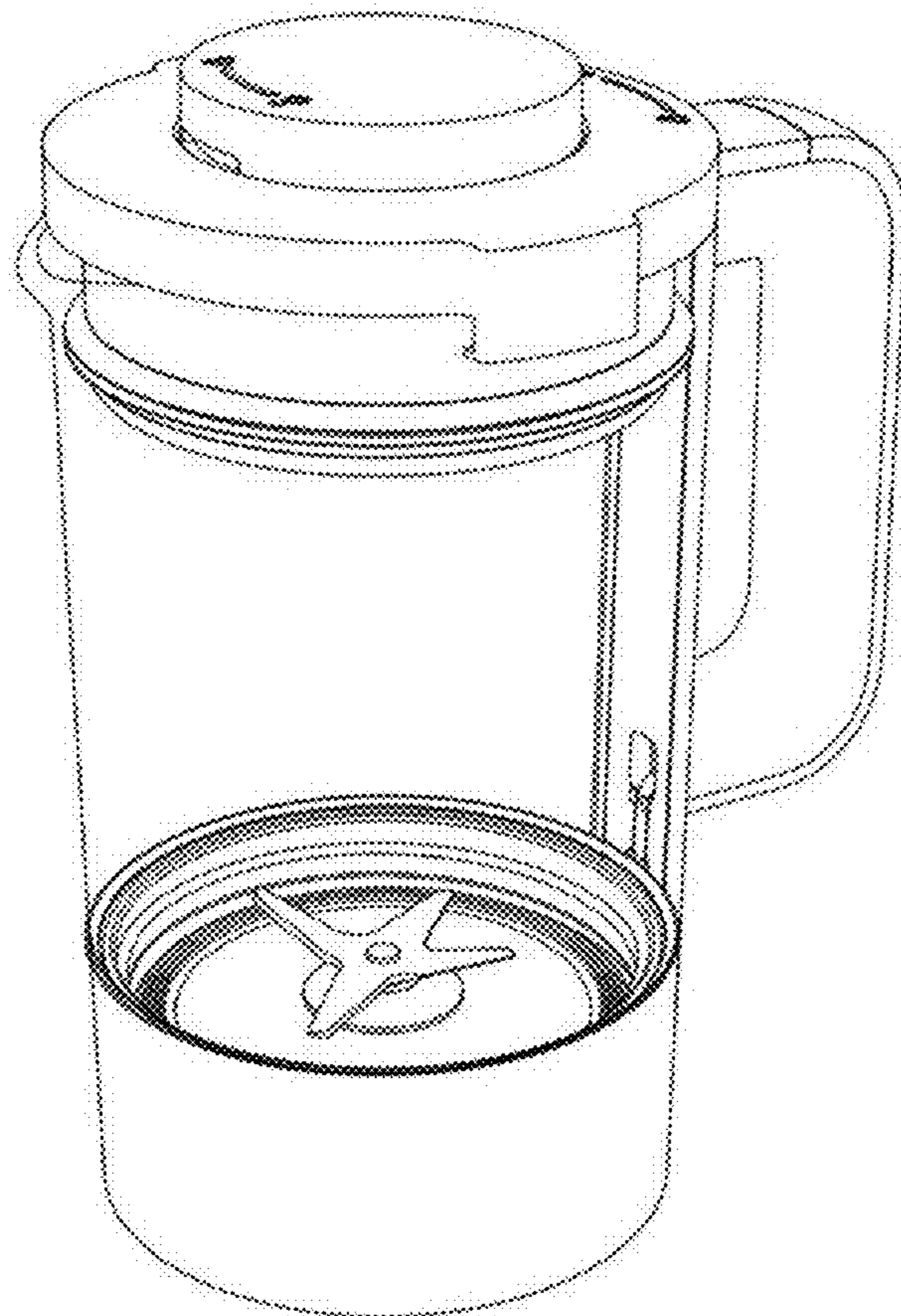
1.10



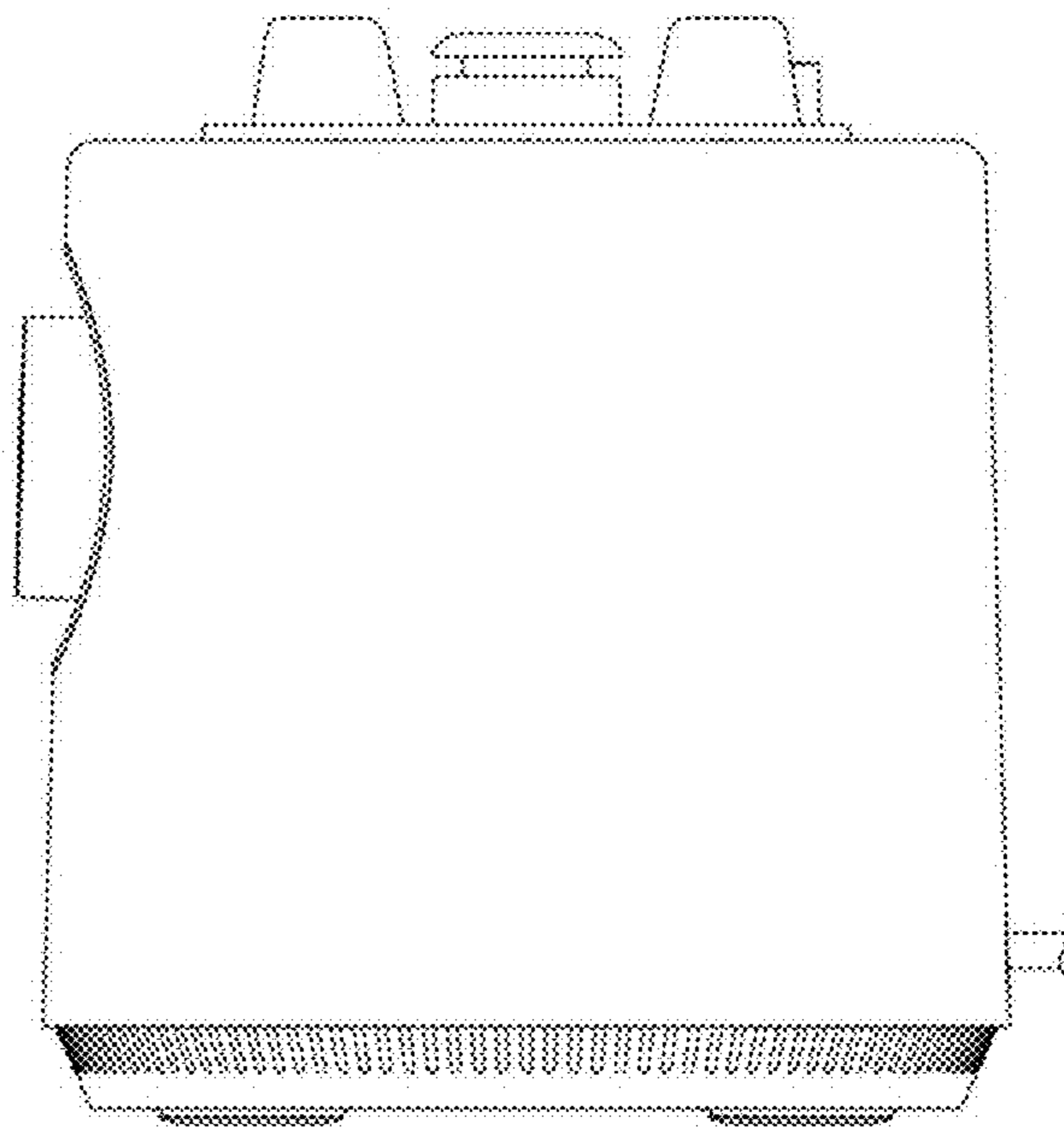
1.11



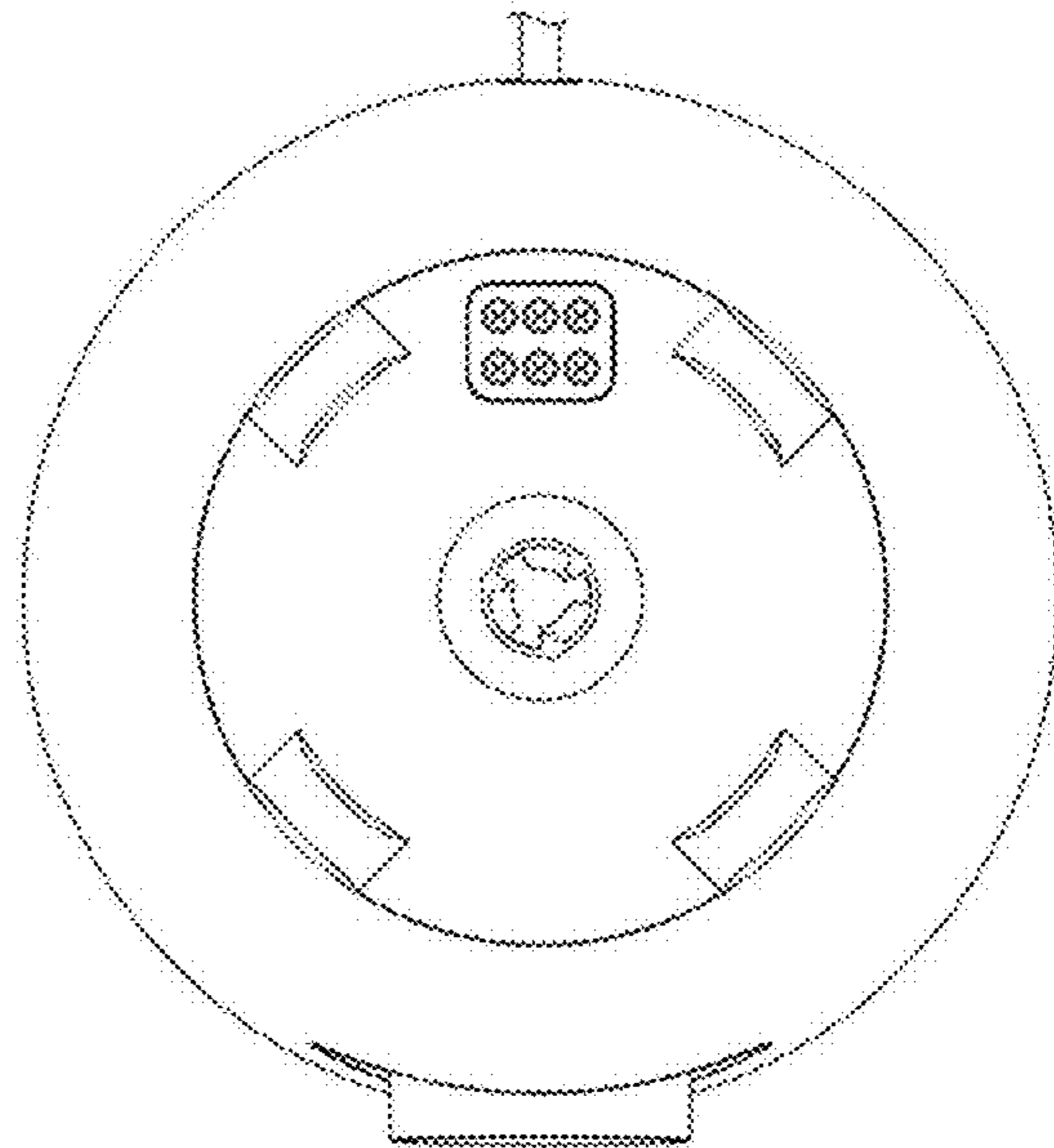
1.12



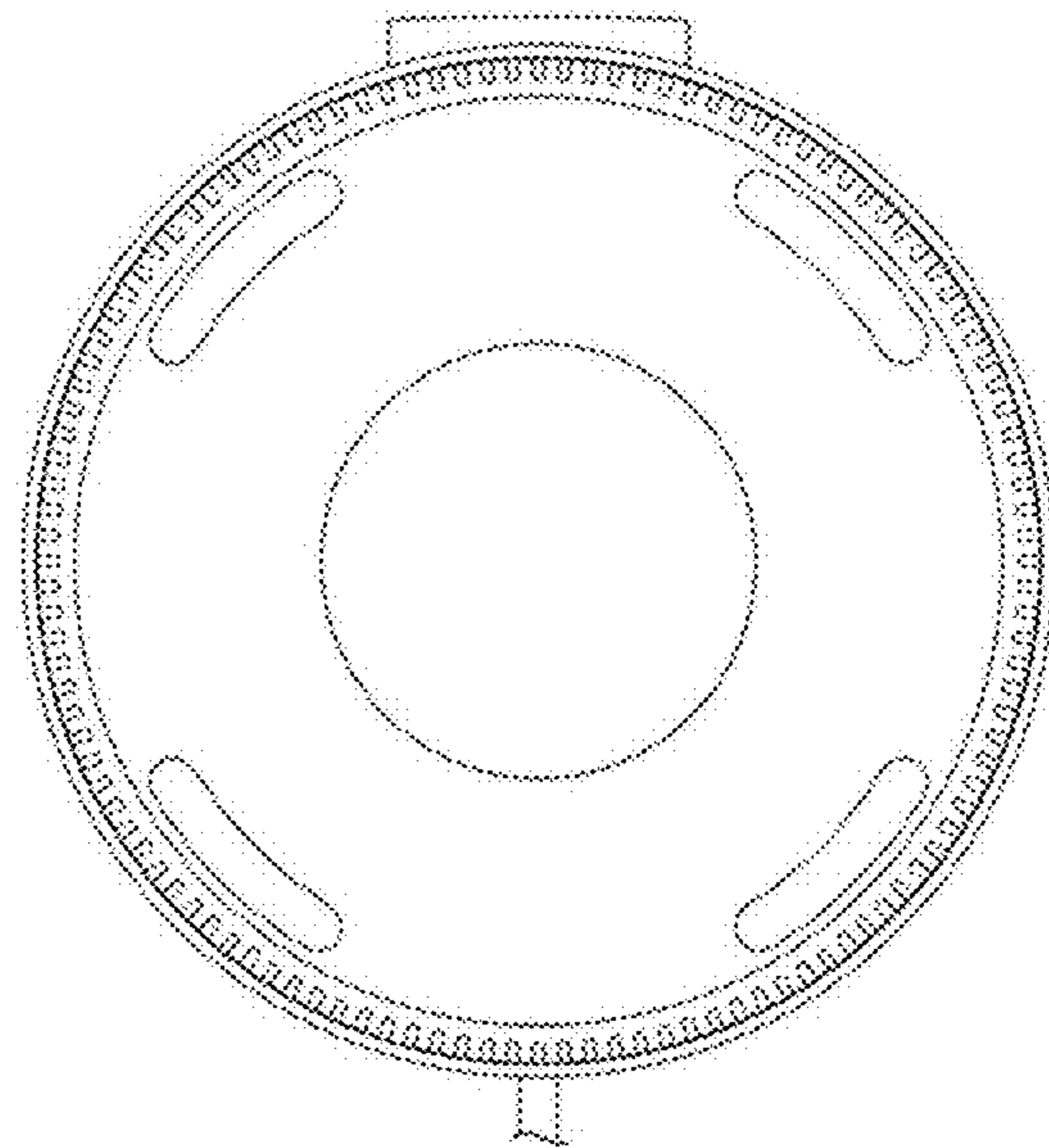
1.13



1.14



1.15



1.16

