



US00D896565S

(12) **United States Design Patent**
Cheng

(10) **Patent No.:** **US D896,565 S**

(45) **Date of Patent:** **** Sep. 22, 2020**

(54) **MODULAR COFFEE GRINDER**

(74) *Attorney, Agent, or Firm* — Knobbe Martens Olson & Bear LLP

(71) Applicant: **MISAINÉ TRADE, INC.**, Torrance, CA (US)

(72) Inventor: **Benjamin Cheng**, Rolling Hills, CA (US)

(73) Assignee: **MISAINÉ TRADE, INC.**, Torrance, CA (US)

(**) Term: **15 Years**

(21) Appl. No.: **29/660,028**

(22) Filed: **Aug. 14, 2018**

(51) **LOC (12) Cl.** **31-00**

(52) **U.S. Cl.**
USPC **D7/373**

(58) **Field of Classification Search**

USPC D7/372-374, 376-386, 402, 412-413,
D7/602, 629, 665-666, 669, 679,
D7/693-694

CPC .. A21C 1/02; A21C 1/04; A23G 1/047; A23N
1/00; A23N 1/02; A47J 43/04; A47J
43/1025; A47J 43/25; A47J 43/27; A47J
43/042; A47J 43/044; A47J 43/046; A47J
43/075; A47J 43/0722; A47J 43/0727;
A47J 43/0766; B01F 3/00; B01F 3/0807;
B01F 3/0853; B01F 7/00175; B01F
7/00291; B01F 7/00583; B01F 7/162;
B01F 7/1675;

(Continued)

(56) **References Cited**

U.S. PATENT DOCUMENTS

43,374 A 6/1864 Whitmer
455,818 A 7/1891 Mader et al.

(Continued)

Primary Examiner — Ricky Pham

(57) **CLAIM**

The ornamental design for a modular coffee grinder, as shown and described herein.

DESCRIPTION

FIG. 1 is a perspective view of an embodiment of a modular coffee grinder.

FIG. 2 is a front-side view of the modular coffee grinder of FIG. 1.

FIG. 3 is a rear-side view of the modular coffee grinder of FIG. 1.

FIG. 4 is a right-side view of the modular coffee grinder of FIG. 1.

FIG. 5 is a left-side view of the modular coffee grinder of FIG. 1.

FIG. 6 is a top view of the modular coffee grinder of FIG. 1.

FIG. 7 is a bottom view of the modular coffee grinder of FIG. 1.

FIG. 8 is a perspective view of an embodiment of a modular coffee grinder.

FIG. 9 is a front-side view of the modular coffee grinder of FIG. 8.

FIG. 10 is a rear-side view of the modular coffee grinder of FIG. 8.

FIG. 11 is a right-side view of the modular coffee grinder of FIG. 8.

FIG. 12 is a left-side view of the modular coffee grinder of FIG. 8.

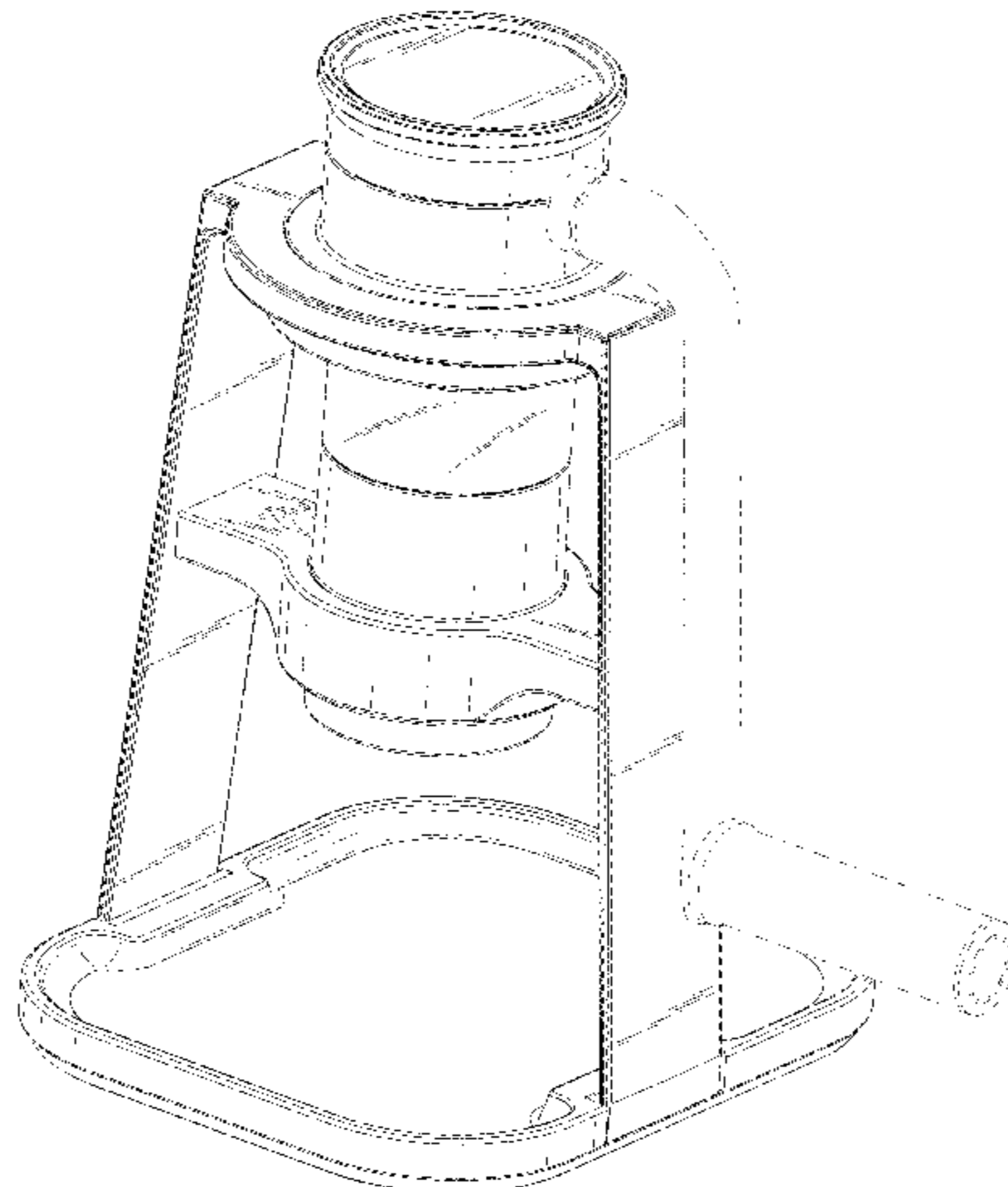
FIG. 13 is a top view of the modular coffee grinder of FIG. 8; and,

FIG. 14 is a bottom view of the modular coffee grinder of FIG. 8.

The features shown in broken lines in FIGS. 1-7 are not shown in FIGS. 8-14, respectively.

The broken lines disclosing the environment related to the claimed design are for illustrative purposes only, and form

(Continued)



no part of the claimed design. The broken lines also obscure certain features in some views.

1 Claim, 14 Drawing Sheets

(58) **Field of Classification Search**

CPC B01F 13/0059; B01F 13/0064; B01F 13/0863; B02C 1/08; B02C 2/04; B02C 4/42; B02C 4/142; B02C 4/143; B02C 4/423; B02C 13/1835; B26D 1/28; B28C 5/10; B28C 5/12; B28C 5/14; B28C 5/16; F25C 5/12

See application file for complete search history.

(56) **References Cited**

U.S. PATENT DOCUMENTS

578,560 A 3/1897 Griswold
 D107,010 S * 11/1937 Fegley D7/374
 2,627,377 A * 2/1953 Fletcher F25C 5/12
 241/95
 2,671,617 A 3/1954 Talge
 3,552,460 A * 1/1971 Cooney A23G 1/047
 241/169.1
 4,135,672 A 1/1979 Schlessel
 D269,489 S 6/1983 Tsugio

4,588,136 A 5/1986 Homma
 4,771,955 A 9/1988 Paulson
 D328,552 S * 8/1992 Lee D7/666
 D337,239 S * 7/1993 Lin D7/374
 D364,531 S * 11/1995 Berner D7/374
 5,513,810 A 5/1996 Lin
 5,651,506 A 7/1997 Hockey
 D385,148 S * 10/1997 Ikenaga D7/374
 5,722,606 A 3/1998 Wu
 D426,420 S * 6/2000 Lin D7/374
 D434,270 S * 11/2000 Lin D7/374
 D486,702 S 2/2004 Sorensen
 D496,824 S * 10/2004 Meshes D7/373
 D530,993 S 10/2006 Kolflat
 7,204,440 B2 4/2007 Fouse et al.
 D609,535 S 2/2010 Kavanaugh
 D671,787 S 12/2012 Lin
 D700,006 S 2/2014 Braune et al.
 D700,007 S 2/2014 Braune et al.
 D787,280 S 5/2017 Moreau
 D830,138 S 10/2018 Zhang
 D839,659 S * 2/2019 Cometti D7/373
 2005/0035233 A1 2/2005 Fredericks
 2009/0095832 A1 4/2009 Wu
 2013/0193246 A1 8/2013 Roberts, Jr.
 2016/0135646 A1 5/2016 Cacciamani et al.
 2016/0227959 A1 8/2016 Yoon
 2017/0231419 A1 8/2017 Chen
 2017/0319009 A1 11/2017 Seckel et al.

* cited by examiner

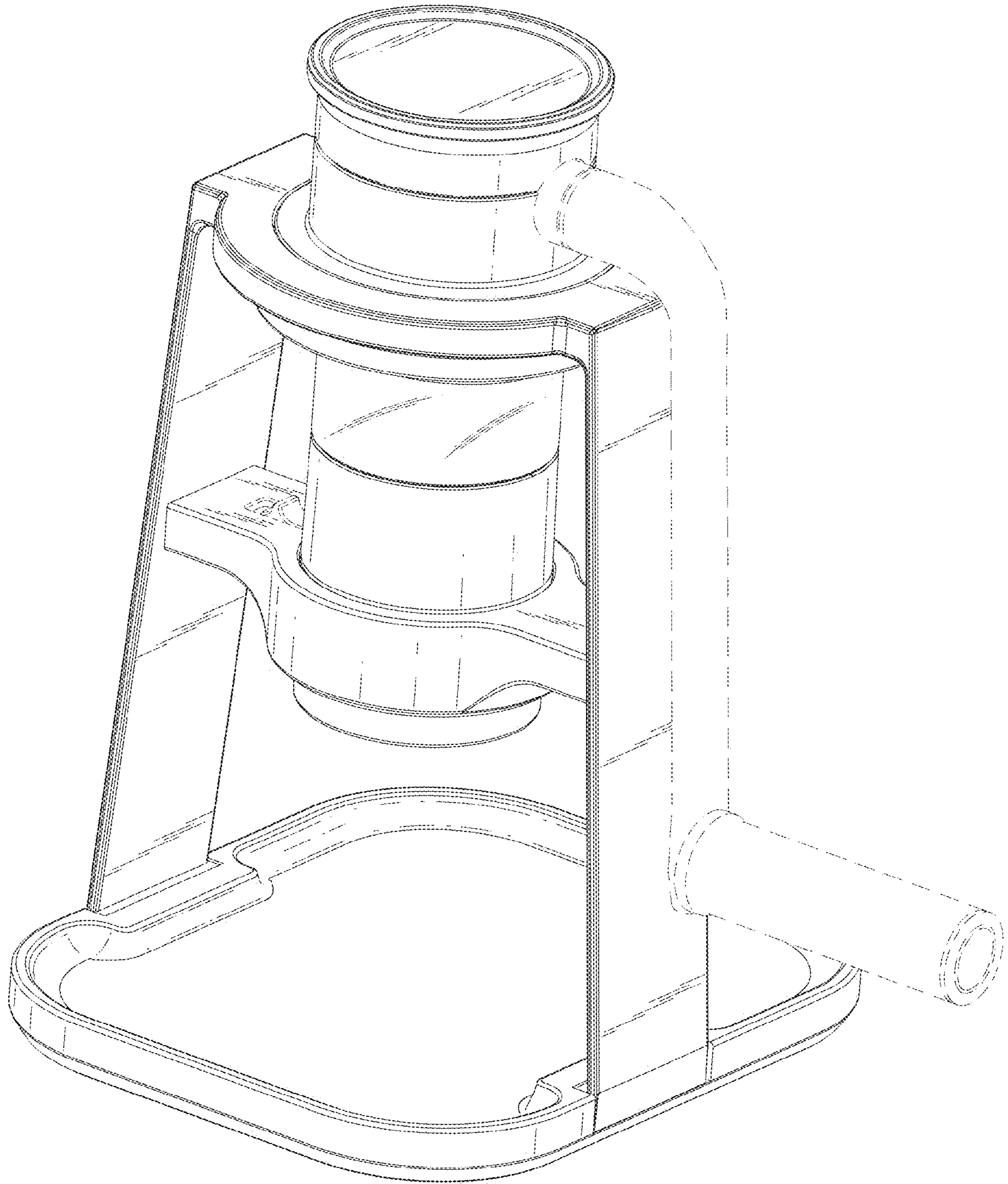


FIG. 1

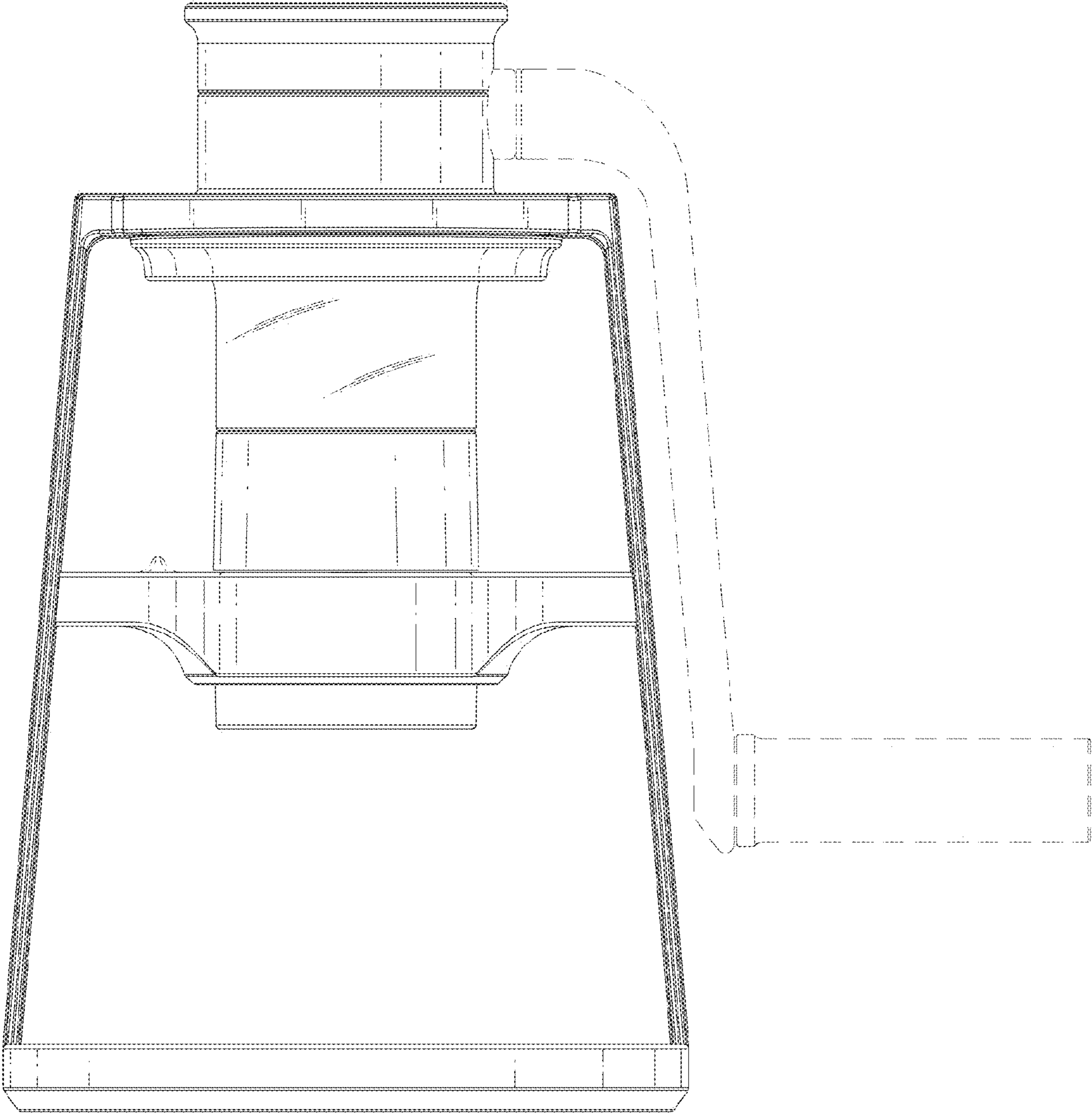


FIG. 2

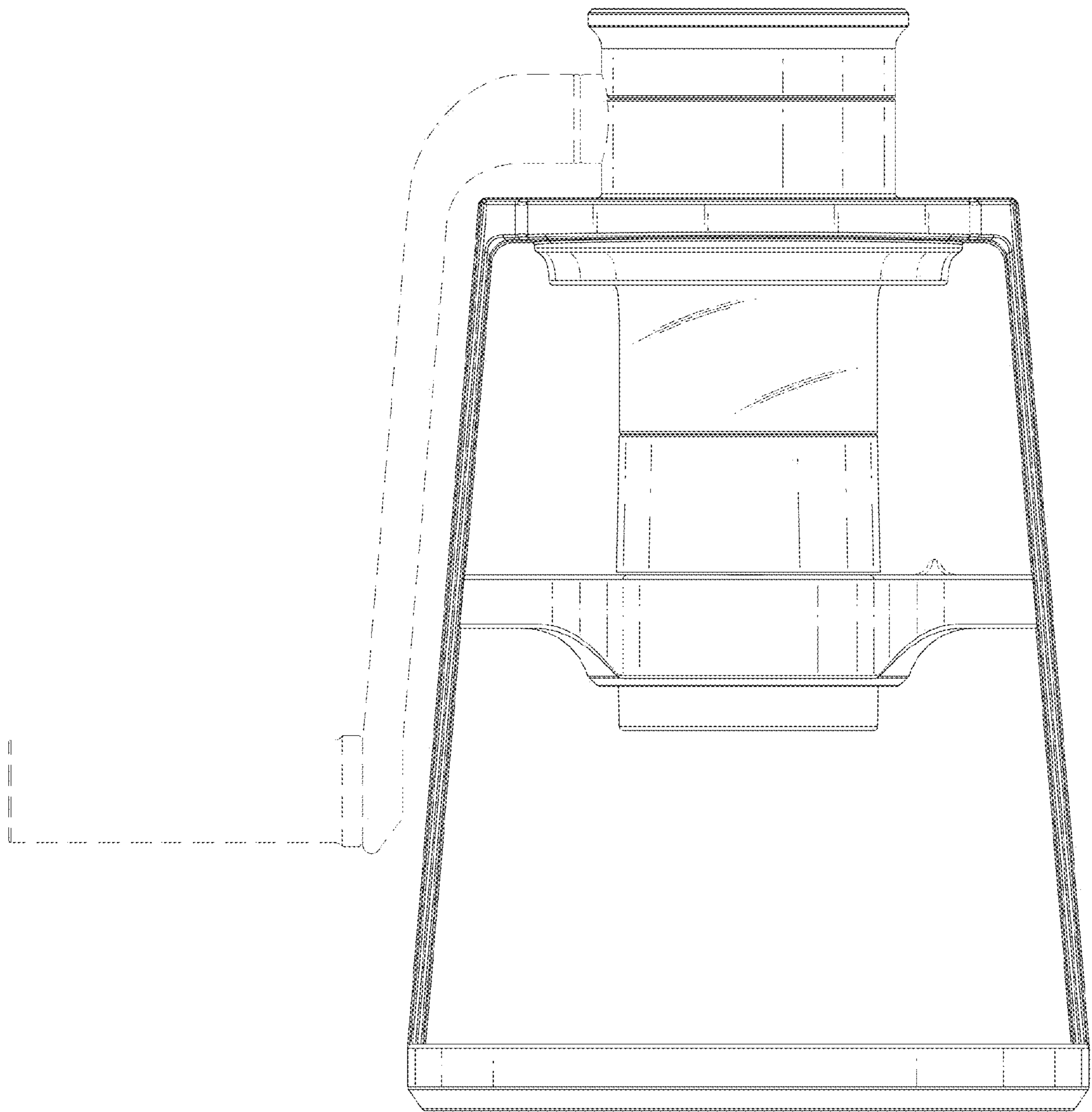


FIG. 3

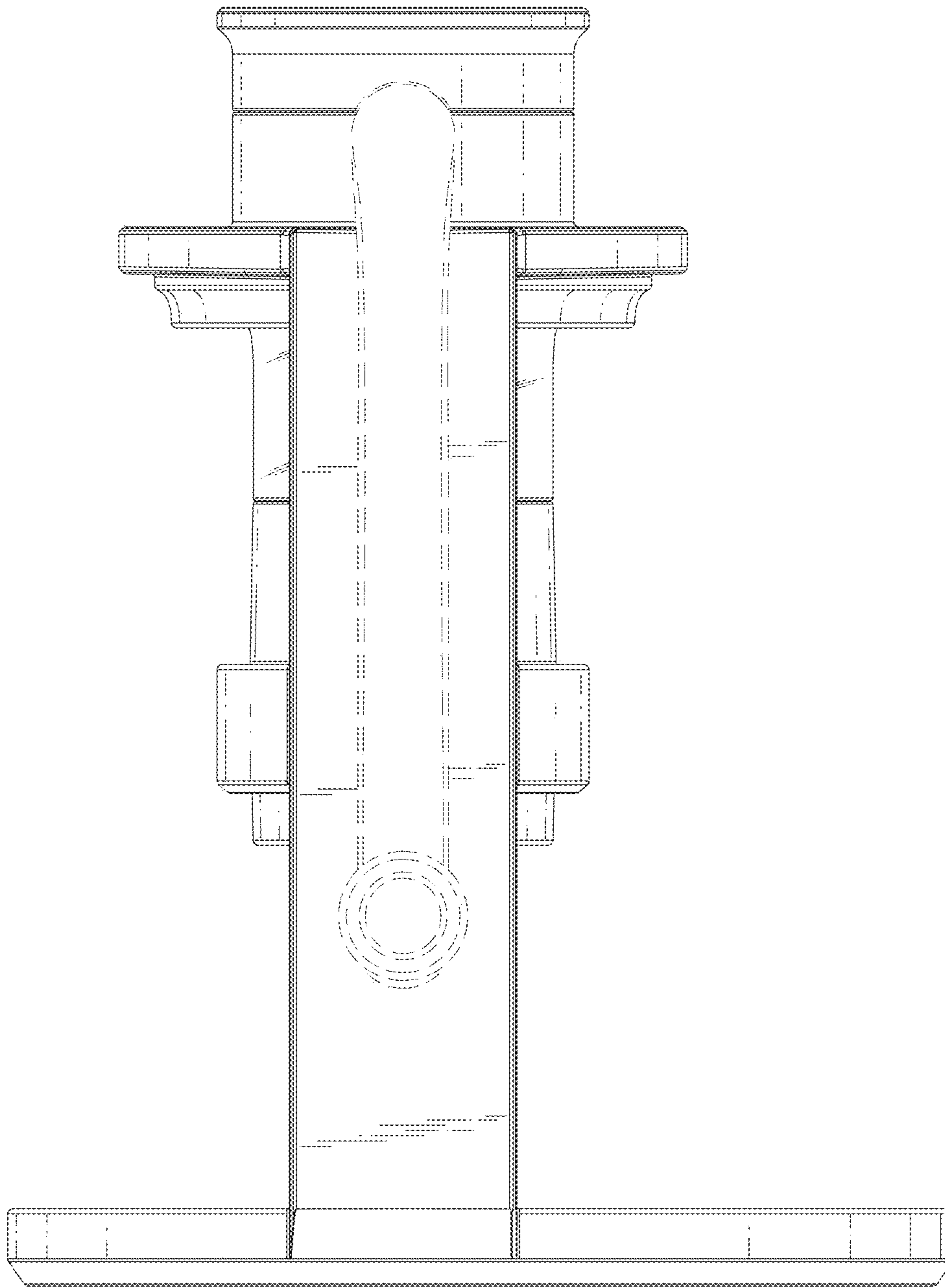


FIG. 4

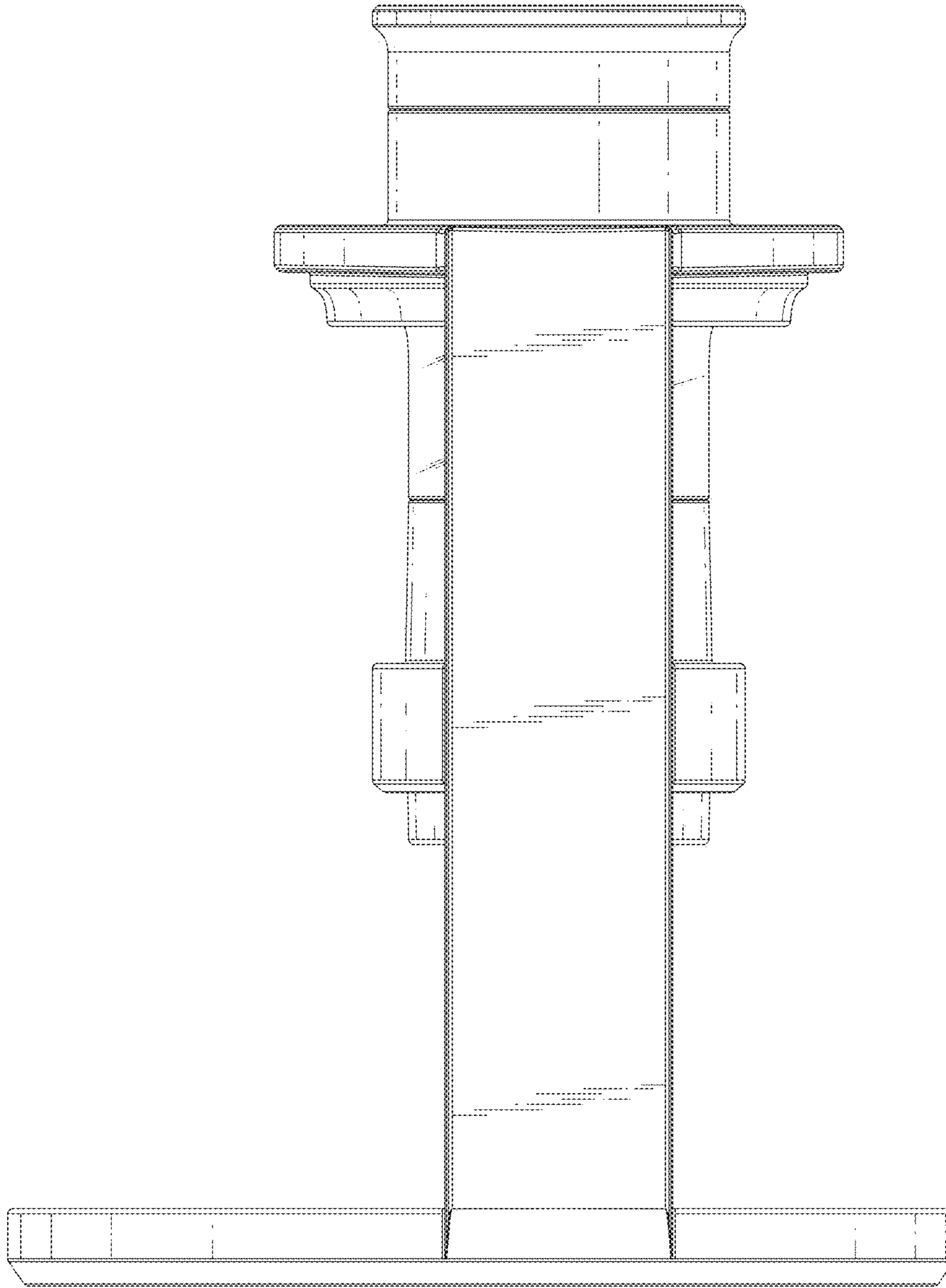


FIG. 5

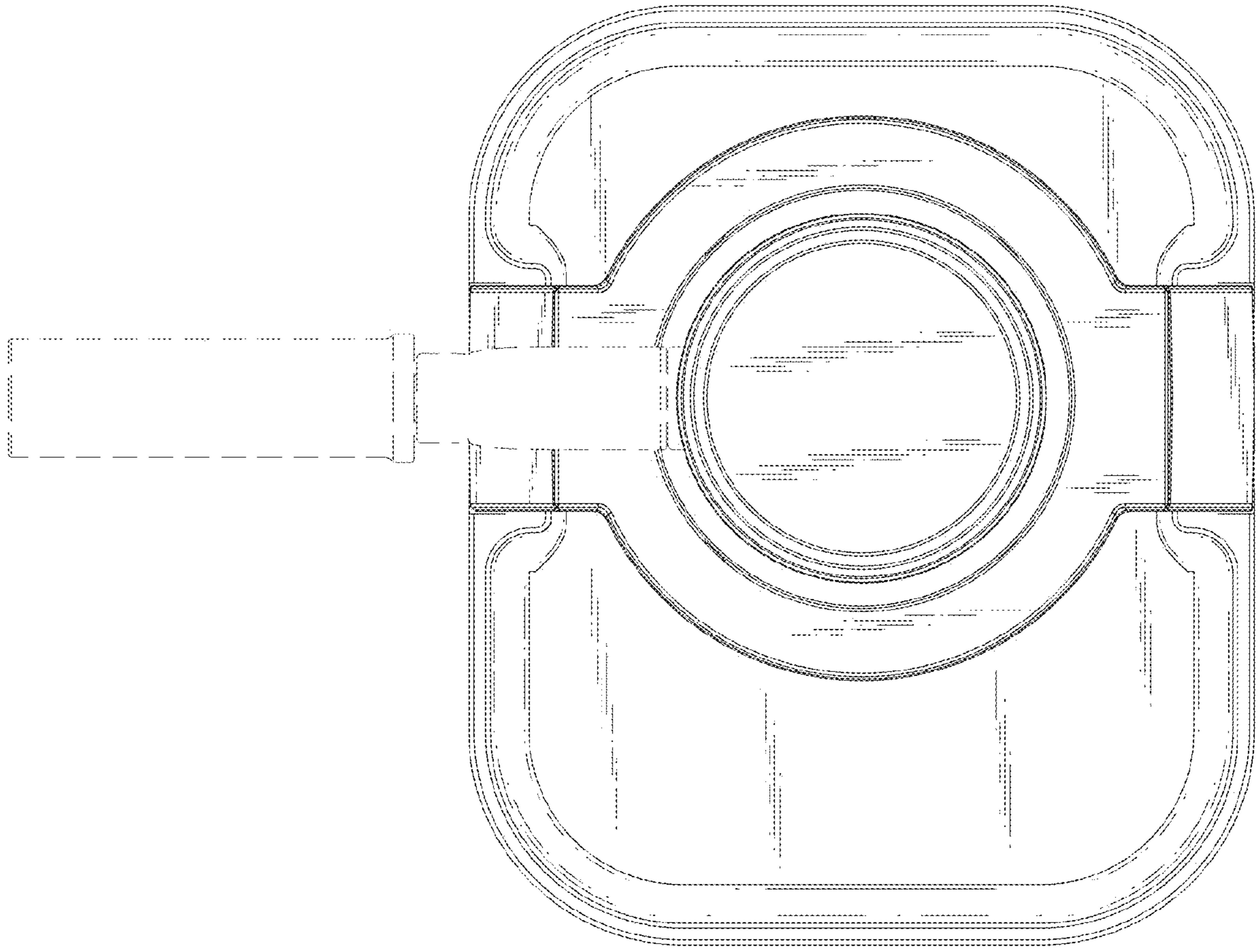


FIG. 6

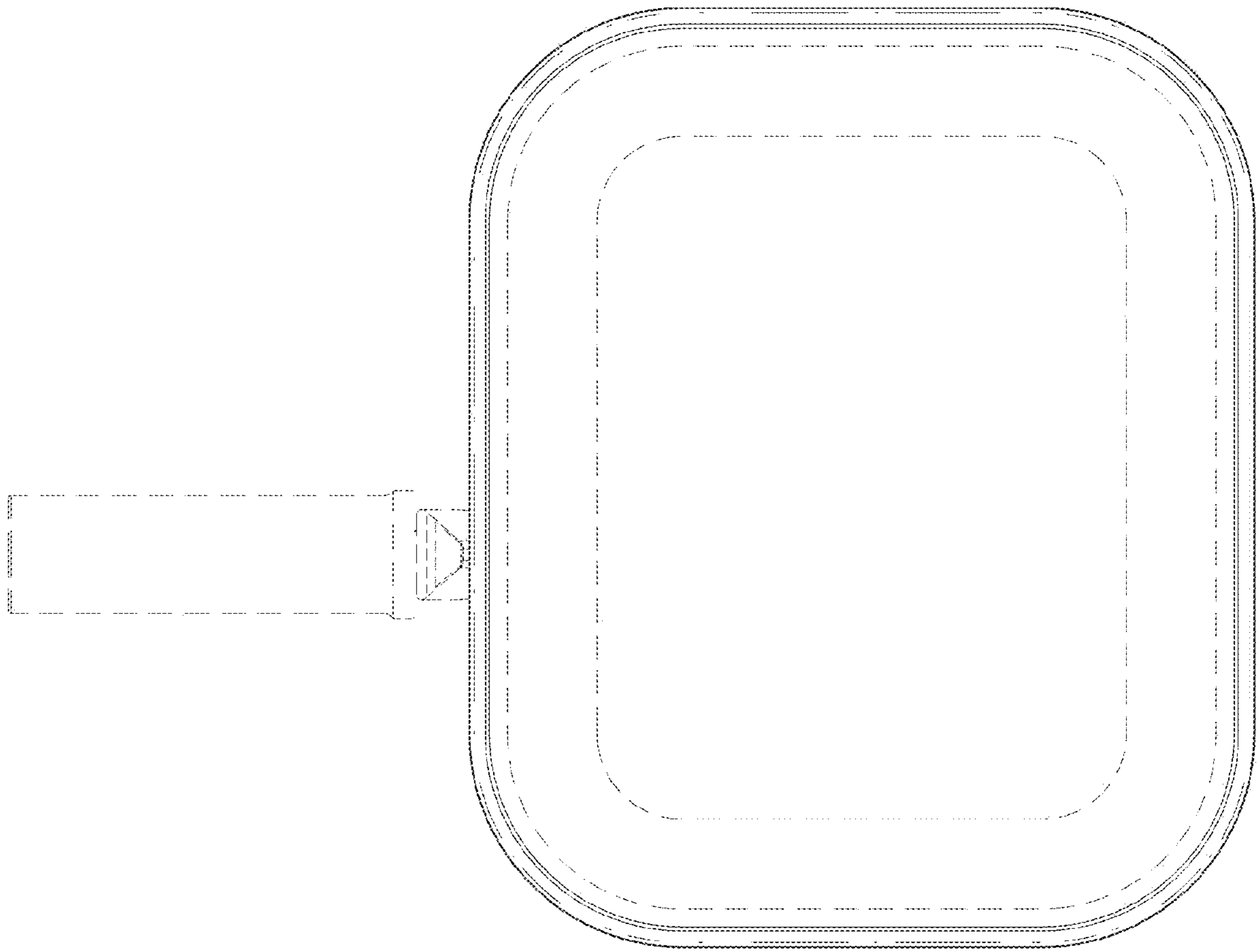


FIG. 7

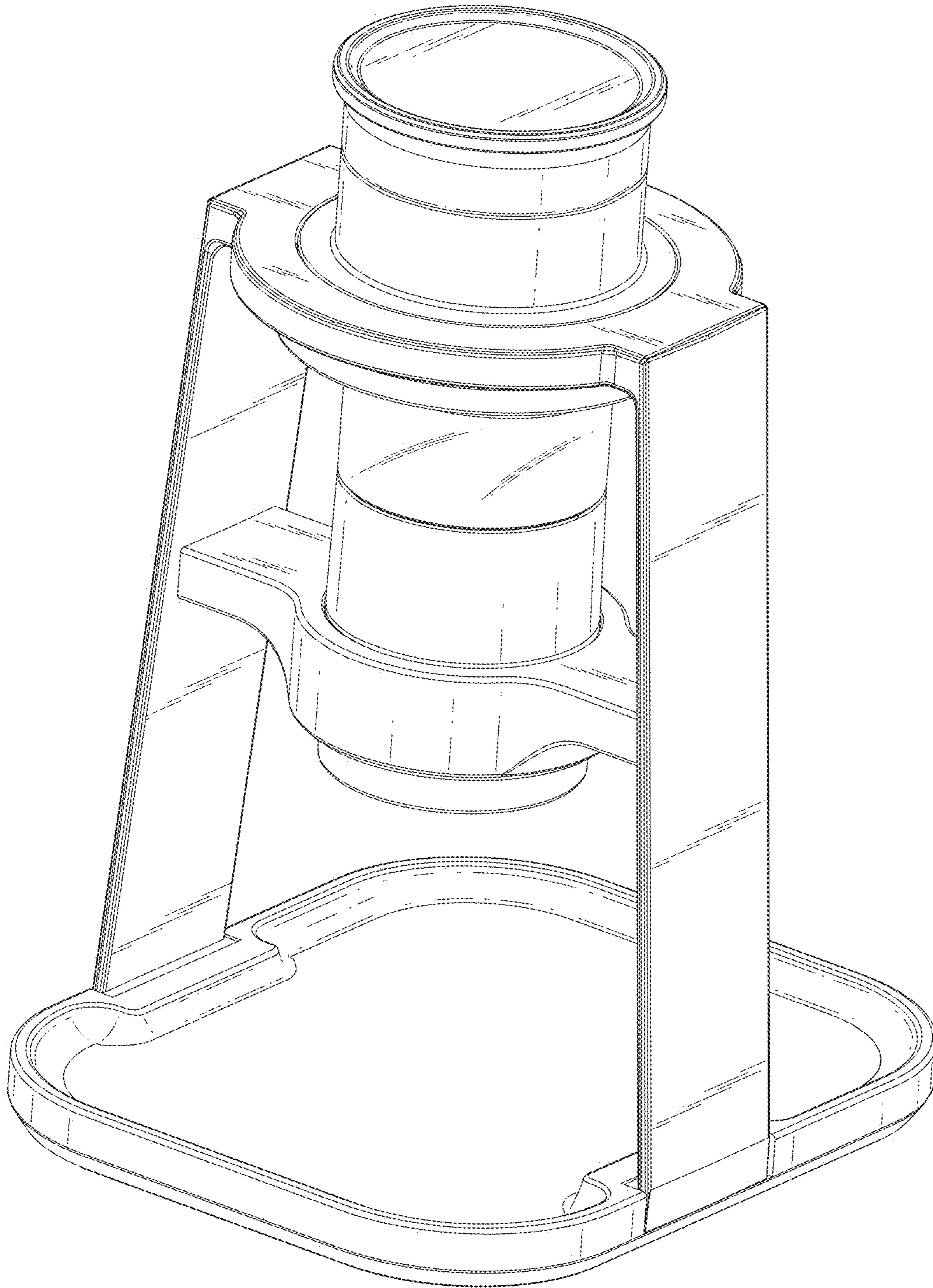


FIG. 8

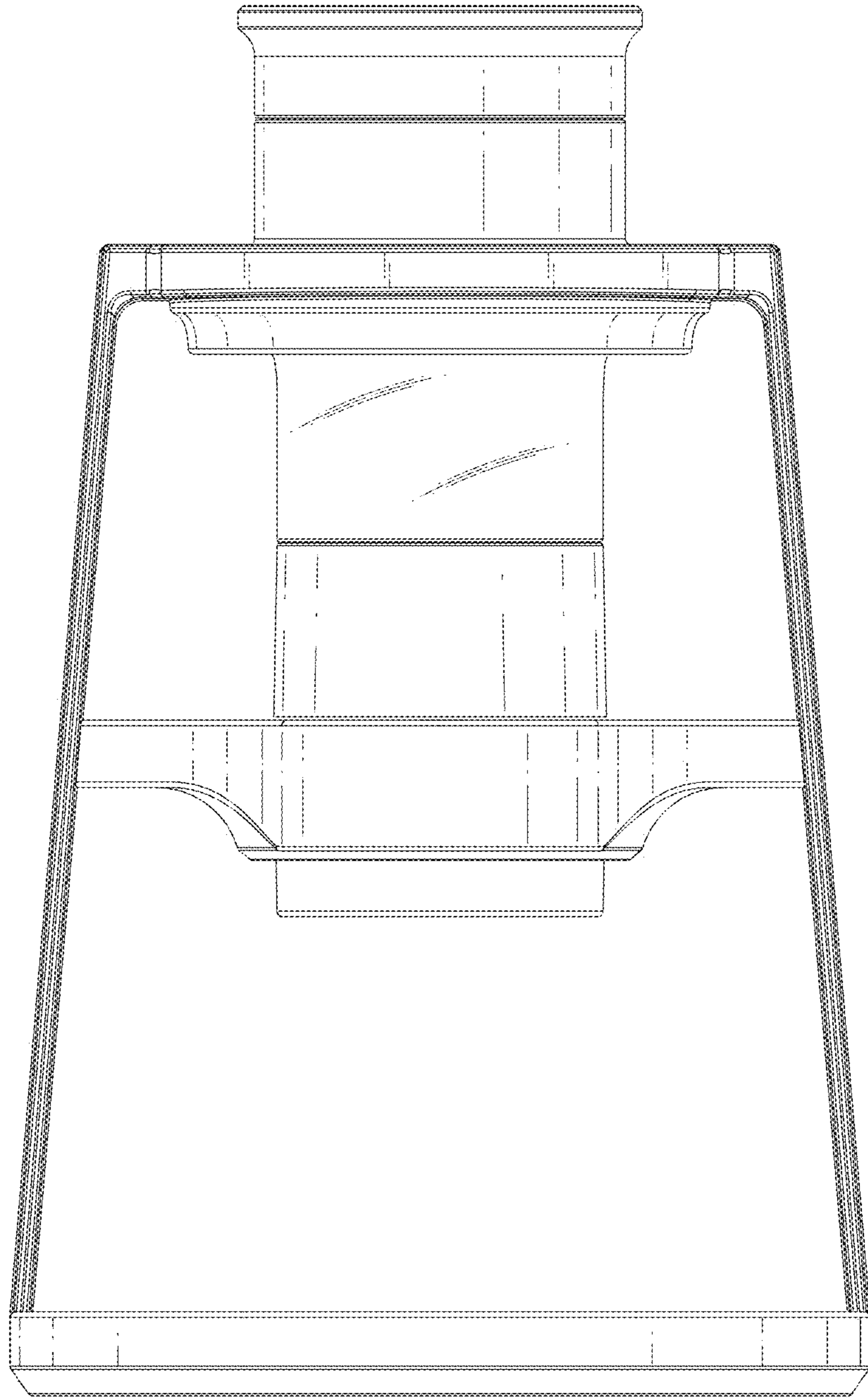


FIG. 9

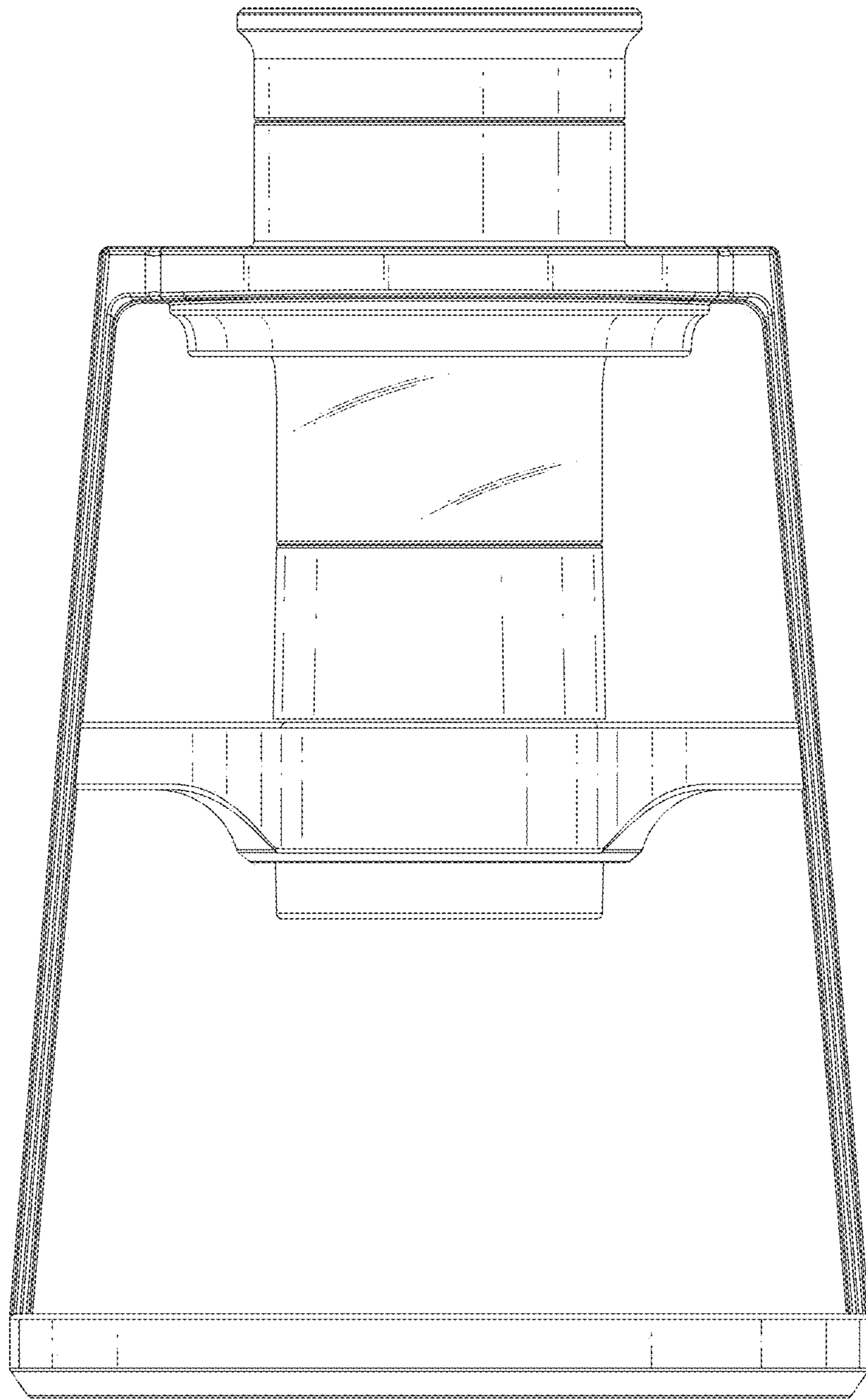


FIG. 10

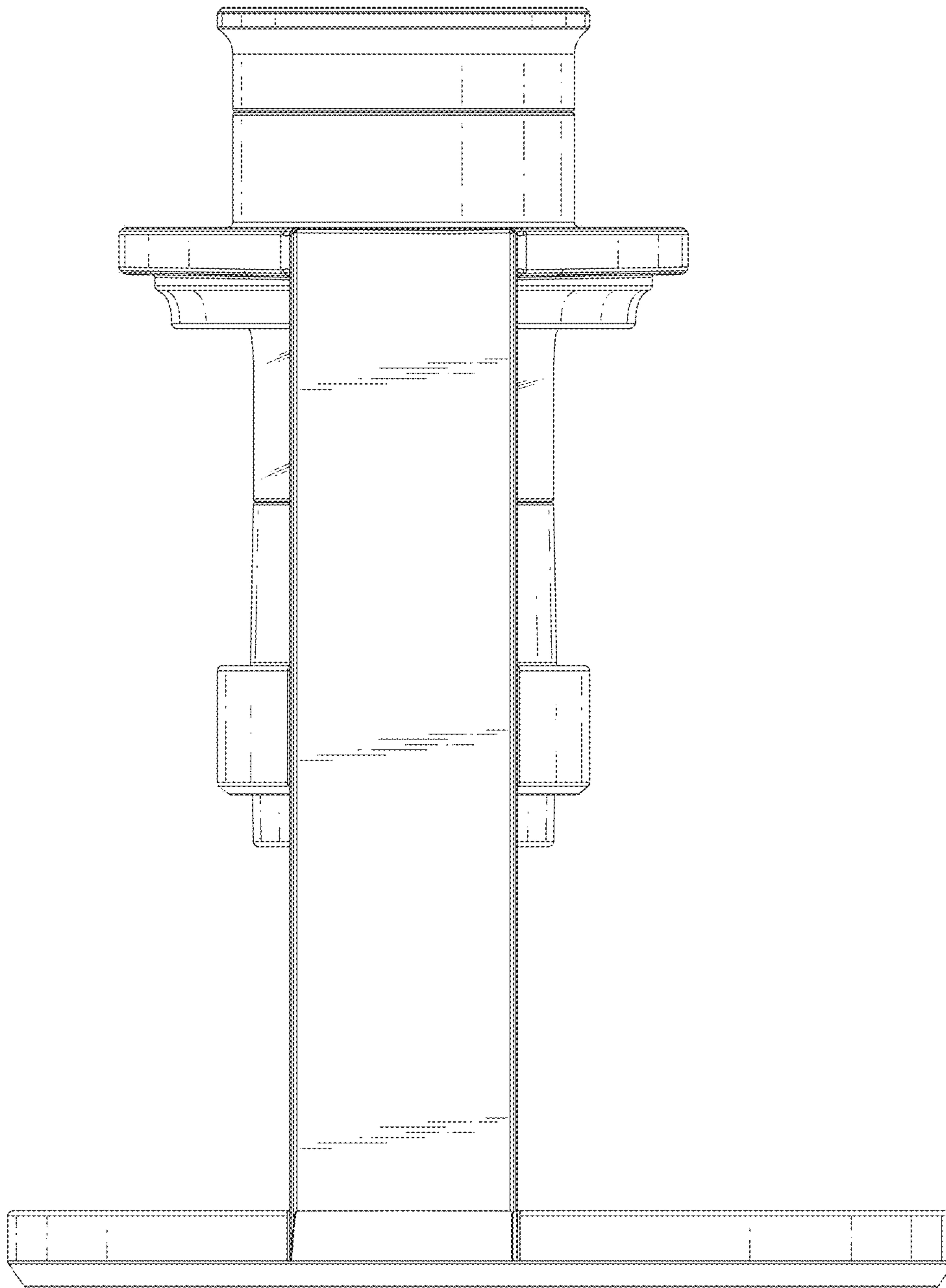


FIG. 11

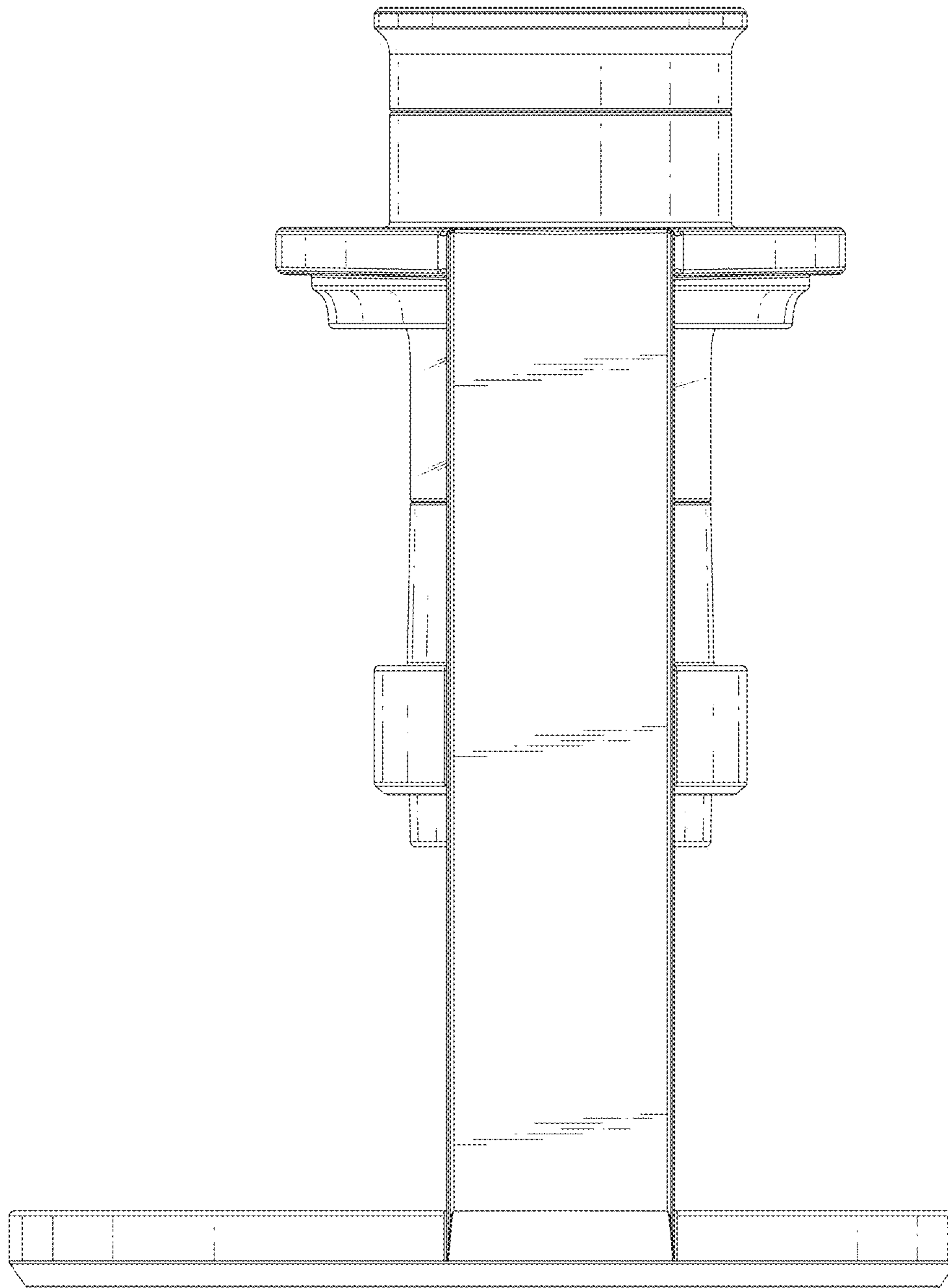


FIG. 12

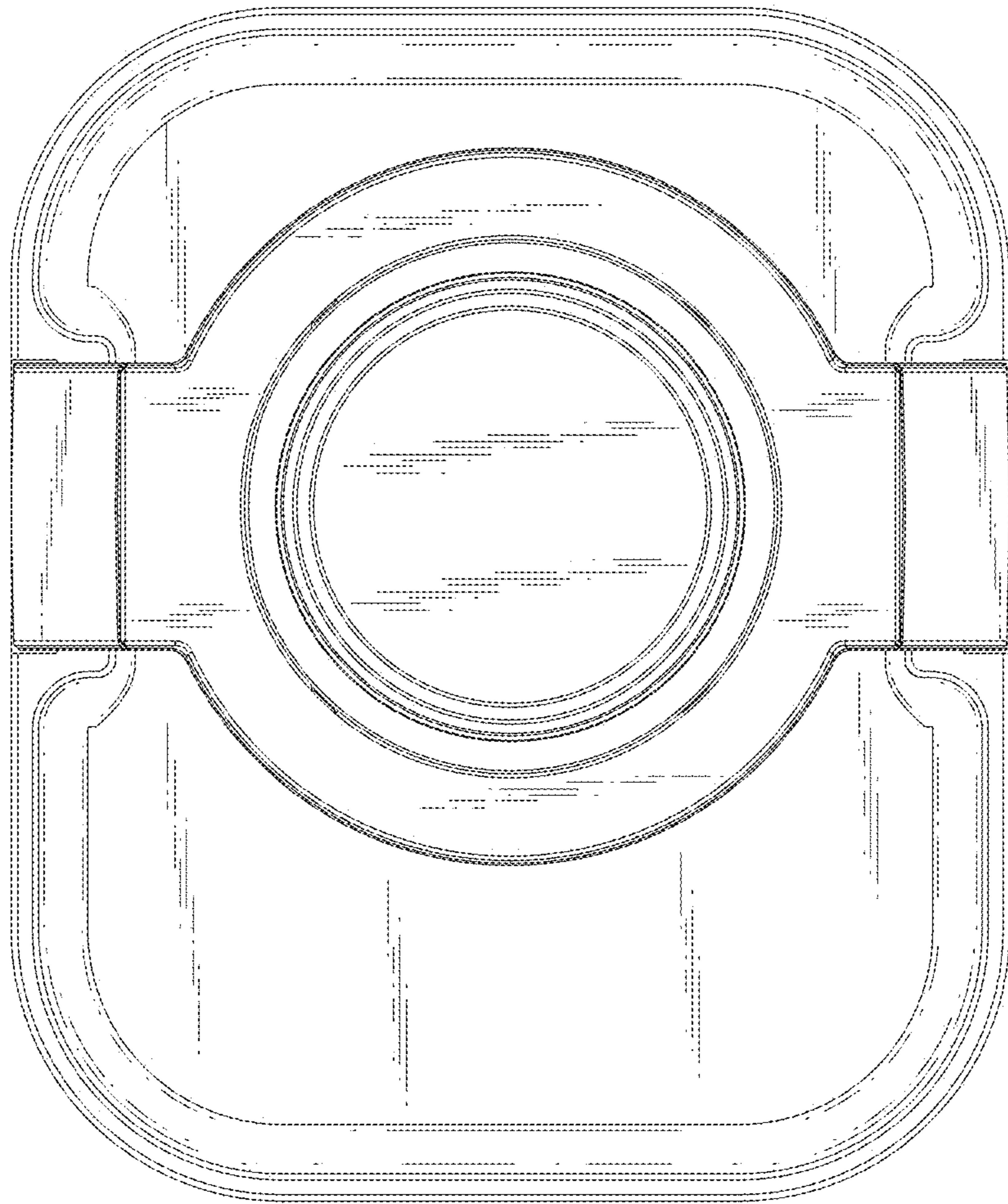


FIG. 13

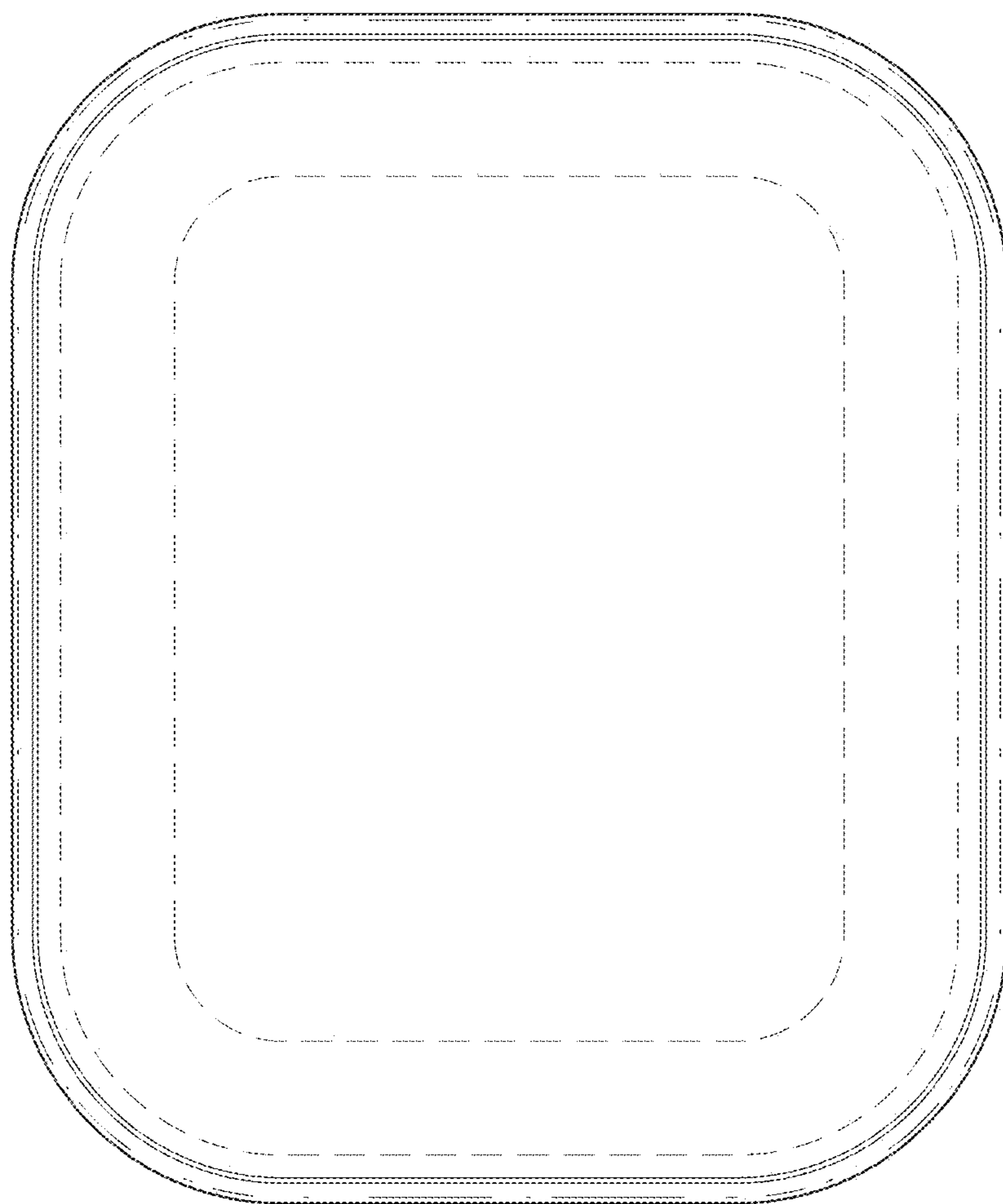


FIG. 14