



US00D896564S

(12) **United States Design Patent**
Kerr et al.

(10) **Patent No.:** **US D896,564 S**

(45) **Date of Patent:** **** Sep. 22, 2020**

(54) **TRAY WITH INDENTED CANALS**

(71) Applicants: **Peter Kerr**, Seattle, WA (US); **Darya Kerr**, Seattle, WA (US)

(72) Inventors: **Peter Kerr**, Seattle, WA (US); **Darya Kerr**, Seattle, WA (US)

(**) Term: **15 Years**

(21) Appl. No.: **29/712,849**

(22) Filed: **Nov. 12, 2019**

(51) **LOC (12) Cl.** **07-02**

(52) **U.S. Cl.**
USPC **D7/354**

(58) **Field of Classification Search**
USPC D7/323, 354-362, 390, 543, 545, 549, D7/550.1, 553.1-553.8, 554.1-554.4, 555, D7/584, 586, 698; D9/425, 430-433, D9/455-456, 737, 756-762; D13/119
CPC A21B 3/00; A21B 3/13; A21B 3/15; A21B 3/134; A21B 5/00; A21B 5/02; A47J 36/022; A47J 36/025; A47J 36/027; A47J 37/00; A47J 37/04; B65D 1/22; B65D 1/24; B65D 1/34; B65D 1/36; B65D 45/20; B65D 81/343; B65D 85/36
See application file for complete search history.

(56) **References Cited**

U.S. PATENT DOCUMENTS

D195,683 S *	7/1963	Quistgaard	D7/554.1
D214,391 S *	6/1969	Weiss	D7/553.4
3,490,602 A *	1/1970	Wentzel	B65D 1/34 211/133.6
3,741,433 A *	6/1973	Bentley	B65D 45/20 220/318
D247,649 S	3/1978	Carroll		
D262,104 S *	12/1981	Simpson	D13/119
D271,557 S	11/1983	Schwarzli		

D368,657 S *	4/1996	Newell	D7/542
D380,938 S	7/1997	Indekeu		
D400,404 S	11/1998	Indekeu		
D402,850 S	12/1998	Davis		
5,862,933 A	1/1999	Neville		
5,915,561 A	6/1999	Lorenzana		
D418,909 S	1/2000	Mockett		
D427,009 S *	6/2000	Iyengar	D7/354
D431,958 S *	10/2000	Harris	D7/354
D433,662 S	11/2000	Fanshaw		
D436,495 S	1/2001	Ferrer		
D440,117 S	4/2001	Claffy		
D455,317 S	4/2002	Thurlow		
D462,231 S	9/2002	Kari		
D471,405 S	3/2003	Wellner		
D472,430 S	4/2003	Scherer		
D501,760 S	2/2005	Bukowski		
D519,278 S	4/2006	Boerma		

(Continued)

Primary Examiner — Ricky Pham

(74) *Attorney, Agent, or Firm* — Michael J. Feigin, Esq.; Feigin and Fridman

(57) **CLAIM**

The ornamental design for a tray with indented canals, as shown and described.

DESCRIPTION

FIG. 1 shows a top and side perspective view of a tray with indented canals.

FIG. 2 shows a bottom and side perspective view thereof.

FIG. 3 shows a top plan view thereof.

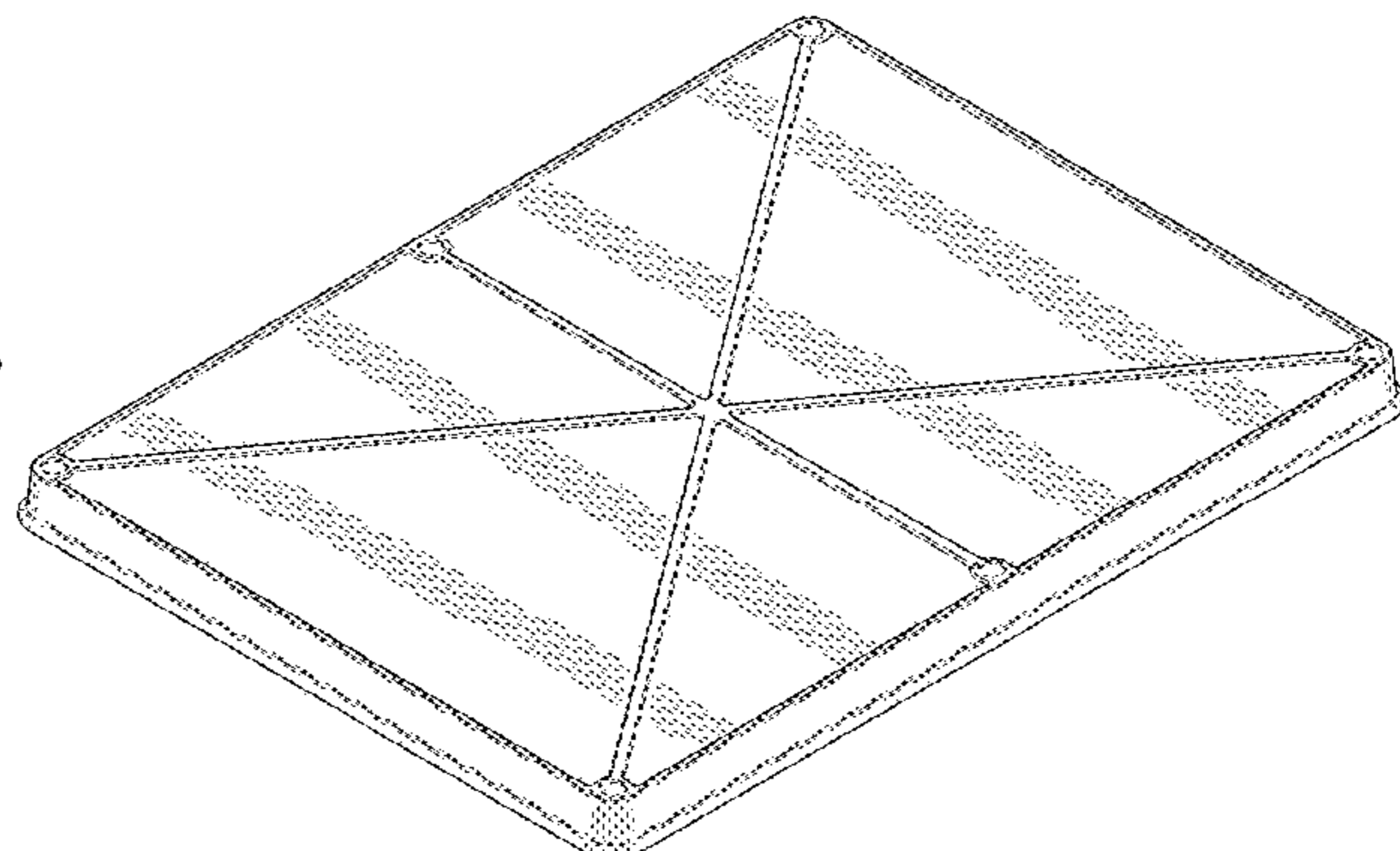
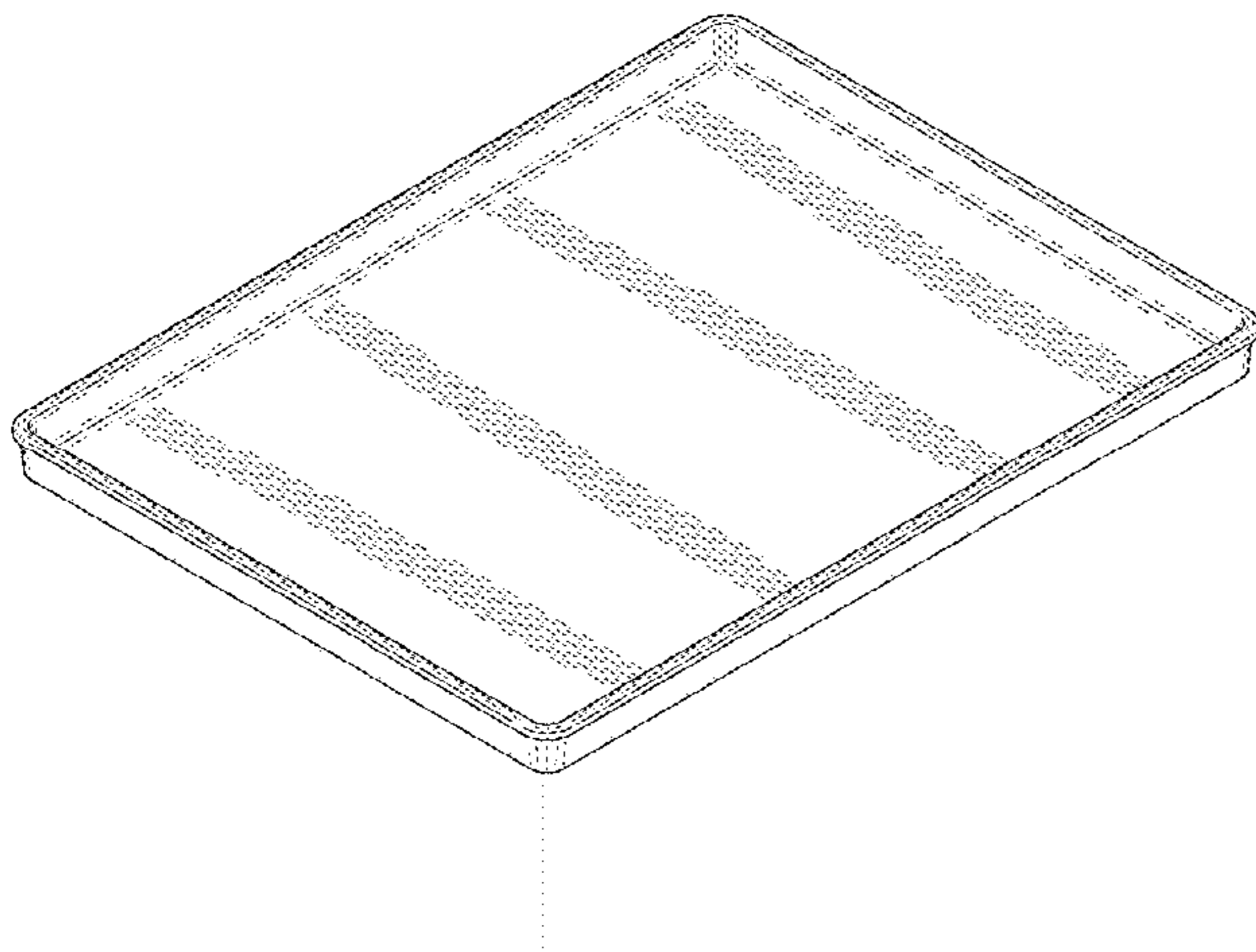
FIG. 4 shows a bottom plan view thereof.

FIG. 5 shows a first side view thereof, the opposite side being a mirror image thereof.

FIG. 6 shows a second side view thereof, the opposite side being a mirror image thereof; and,

FIG. 7 shows a cross section of section line 7-7 of FIG. 5. The broken lines in the drawings depict portions of the tray that form no part of the claimed design.

1 Claim, 5 Drawing Sheets



(56)

References Cited

U.S. PATENT DOCUMENTS

D520,304 S	5/2006	Kilders	
D522,314 S	6/2006	Warner	
D539,075 S	3/2007	Schuler	
D543,075 S	5/2007	Ablo	
D543,775 S *	6/2007	Orr, Jr.	D7/390
D550,043 S	9/2007	Brattoli	
D565,905 S	4/2008	Valderrama	
D573,412 S	7/2008	Ablo	
D573,940 S	7/2008	Heneghan	
D575,590 S	8/2008	Ablo	
D577,223 S	9/2008	Durmon, Jr.	
D578,811 S	10/2008	Gervasi	
D581,207 S *	11/2008	Leavens	D7/359
D584,923 S	1/2009	Scherer	
D631,276 S	1/2011	White	
D677,154 S	3/2013	Miller	
D700,003 S	2/2014	Lagsdin	
D701,095 S *	3/2014	Arvan	D7/698
D710,059 S	7/2014	Risser	
D710,123 S	8/2014	Wright	
D730,588 S	5/2015	Risser	
D743,185 S	11/2015	Elliott	
D750,848 S	3/2016	Risser	
D759,479 S *	6/2016	Das	D9/425
D769,055 S *	10/2016	Lee	D7/362
D788,538 S	6/2017	Vukkisila	
D805,848 S	12/2017	Kerr	
D869,088 S	12/2019	Kesselman	
D874,296 S	2/2020	Wouters	
D877,573 S	3/2020	Heunis	
D883,805 S	5/2020	Abdelnour et al.	
D884,920 S	5/2020	Chase et al.	
2009/0239724 A1	9/2009	White	

* cited by examiner

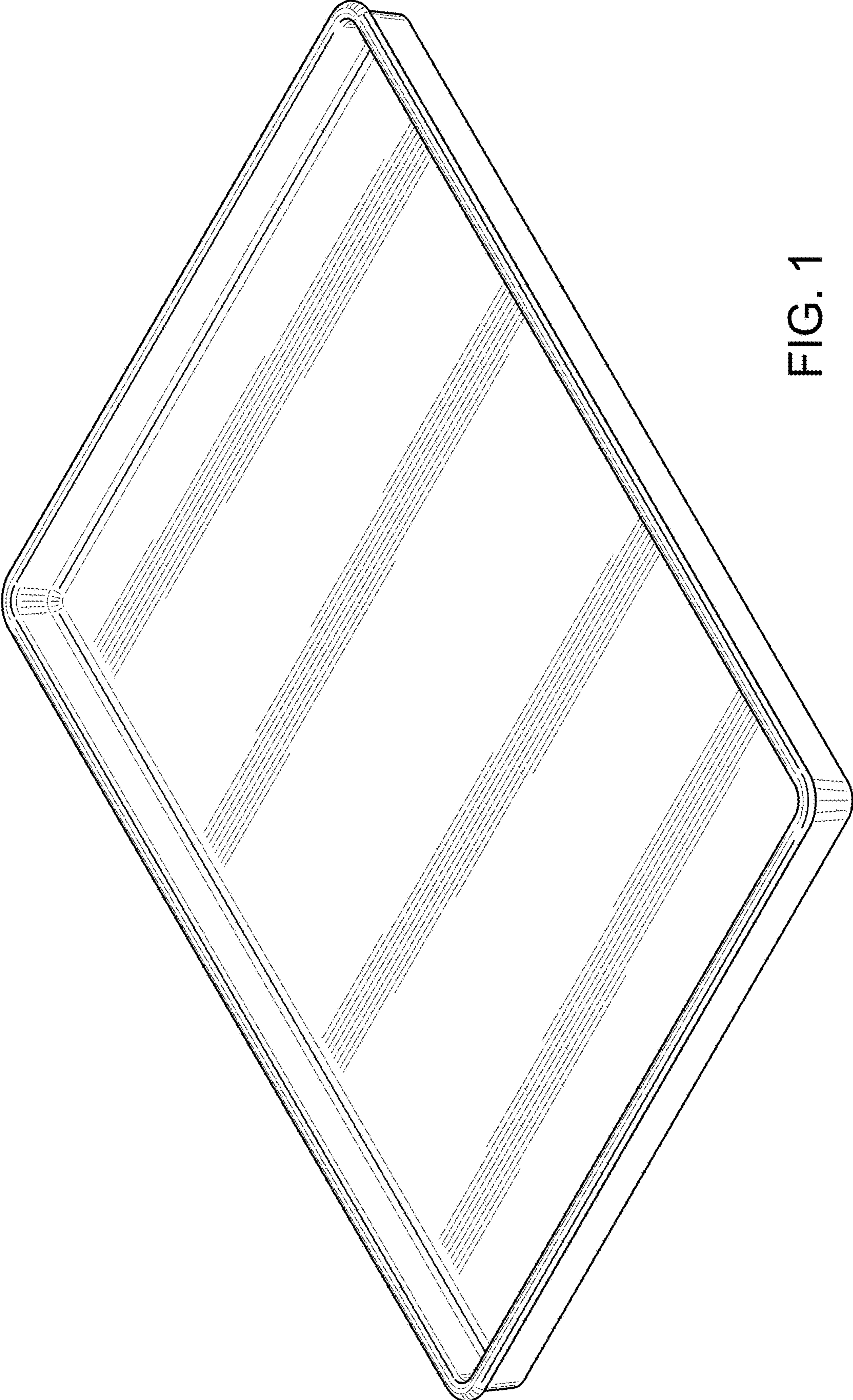


FIG. 1

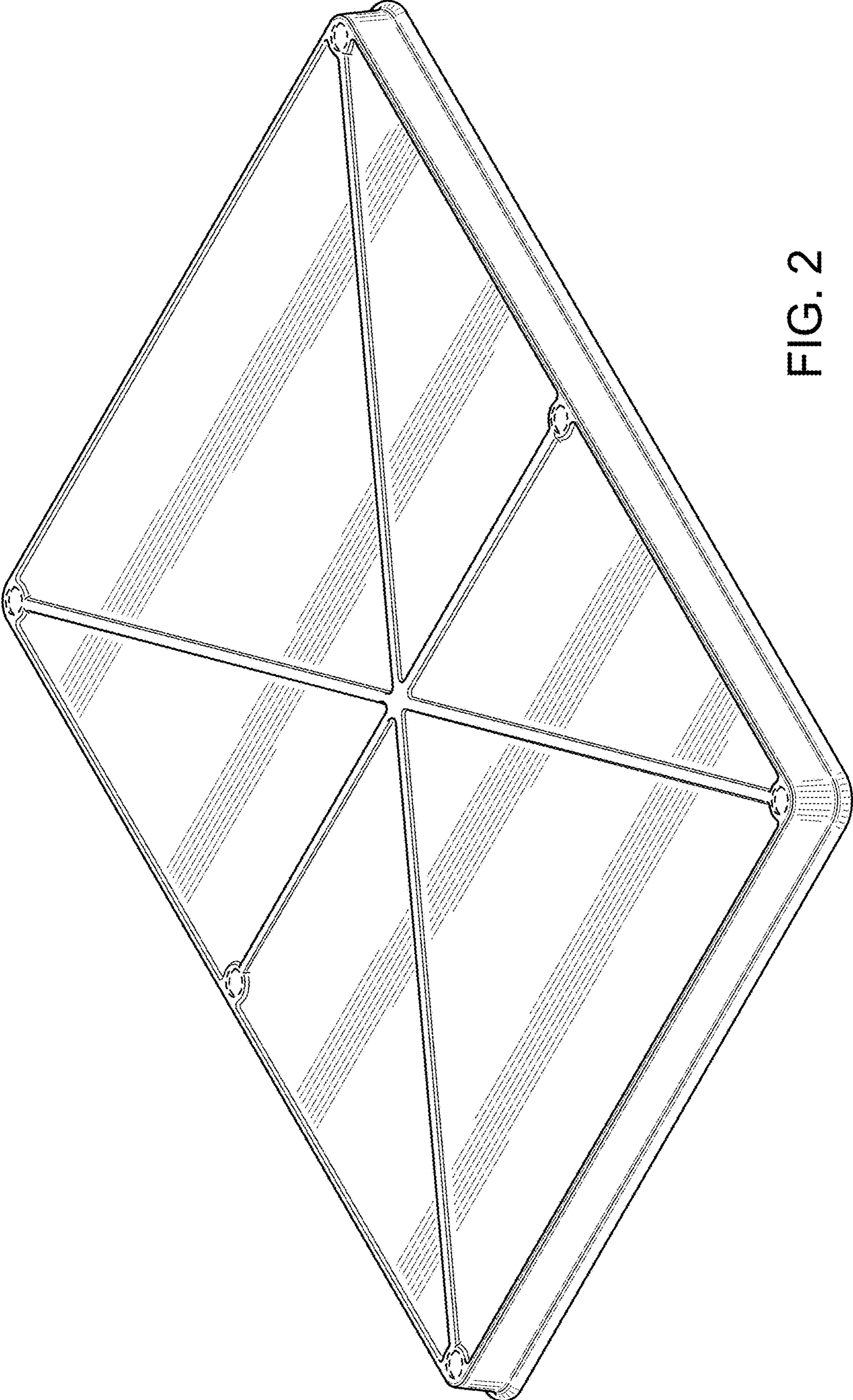


FIG. 2

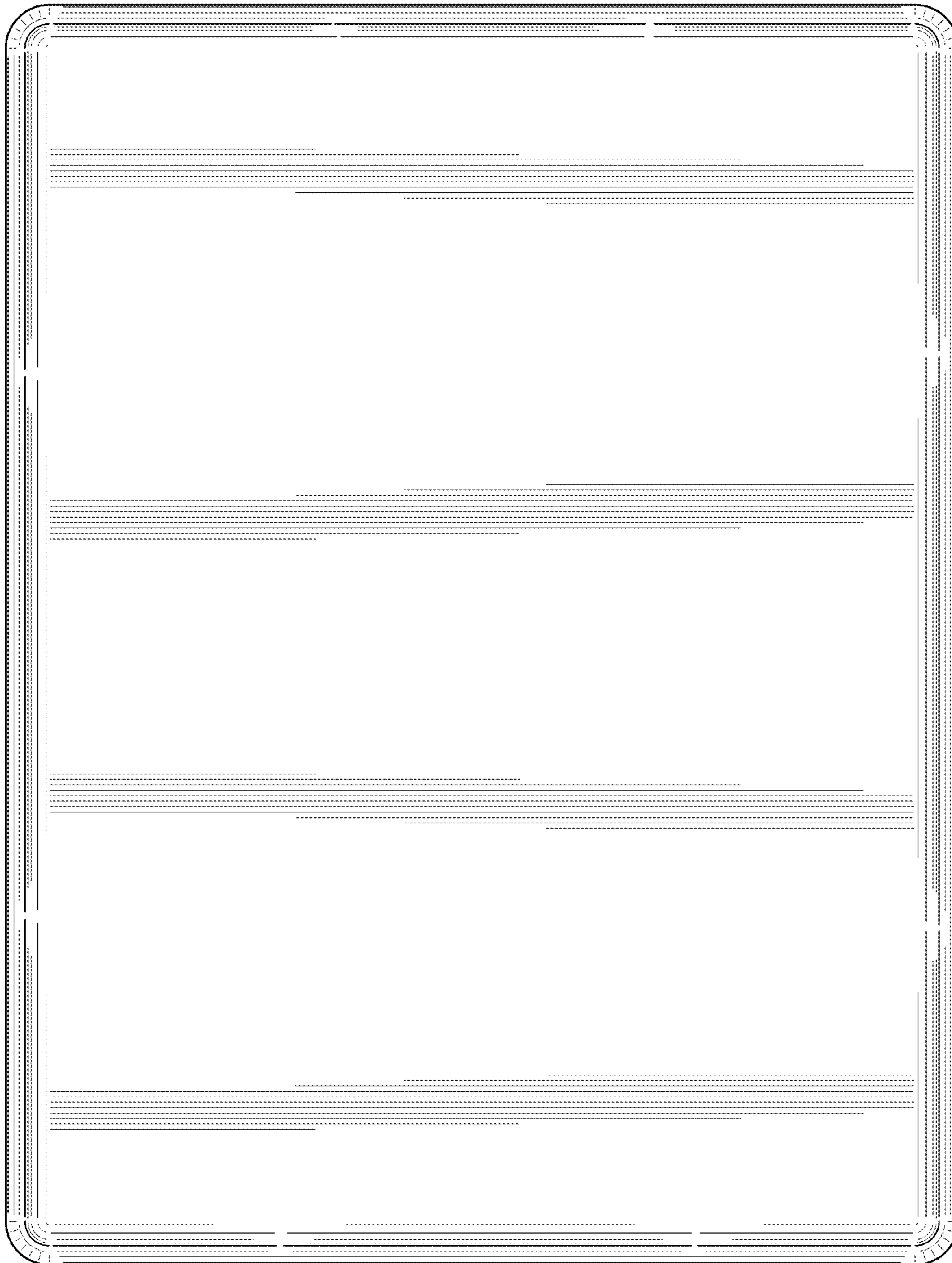


FIG. 3

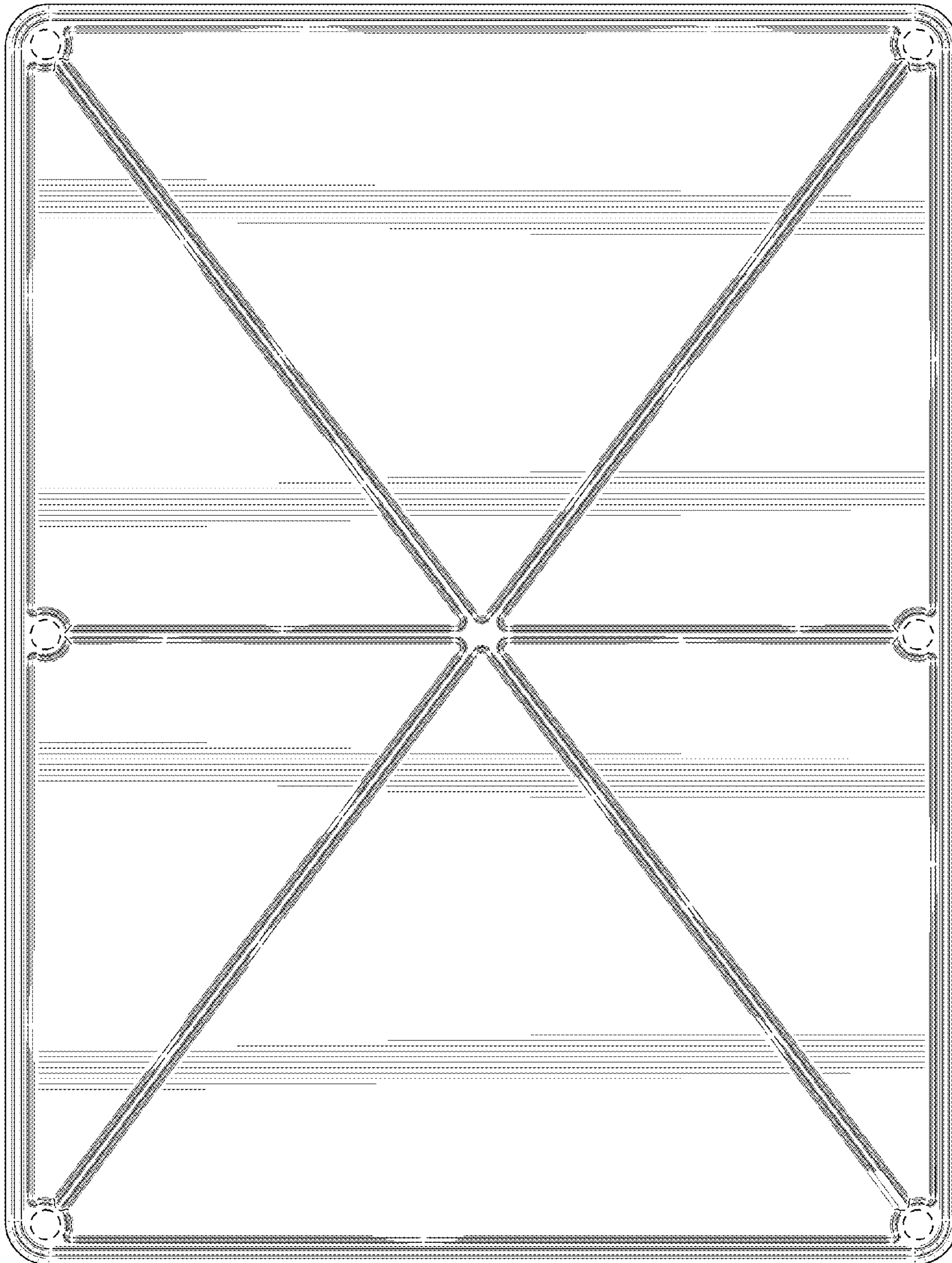


FIG. 4

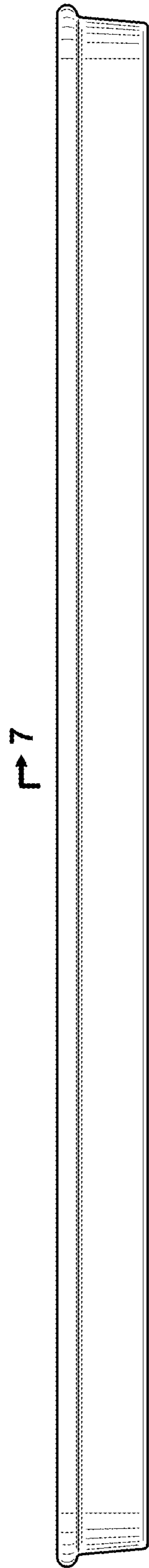


FIG. 5

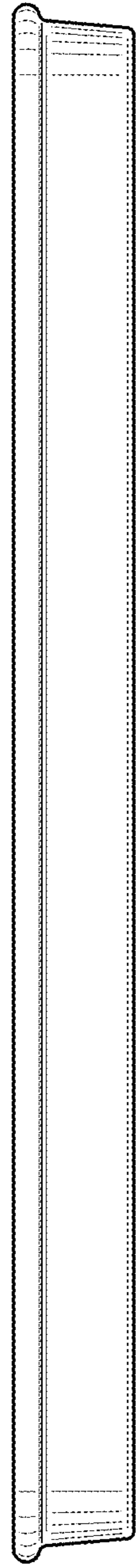


FIG. 6

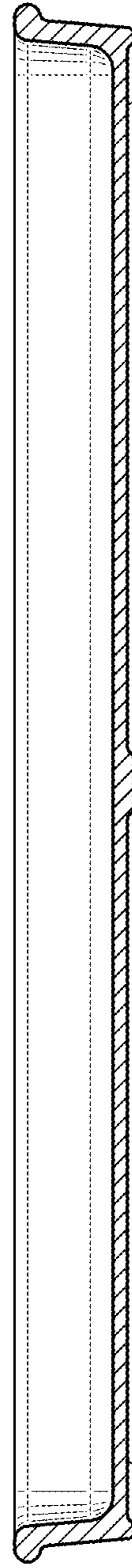


FIG. 7