



US00D896563S

(12) **United States Design Patent** (10) **Patent No.:** **US D896,563 S**
Lee (45) **Date of Patent:** **** Sep. 22, 2020**

(54) **ELECTRIC COOKER**

(71) Applicant: **CUCHEN CO., LTD.**, Seoul (KR)

(72) Inventor: **Hye Min Lee**, Seoul (KR)

(73) Assignee: **Cuchen Co., Ltd.**, Seoul (KR)

(**) Term: **15 Years**

(21) Appl. No.: **29/636,085**

(22) Filed: **Feb. 6, 2018**

(30) **Foreign Application Priority Data**

Oct. 27, 2017 (KR) 30-2017-0049986

(51) **LOC (12) Cl.** **07-02**

(52) **U.S. Cl.**
USPC **D7/354**

(58) **Field of Classification Search**
USPC D7/323, 337, 339, 340, 341, 352, 354,
D7/35, 5, 356, 357, 358, 359, 360, 361,
D7/362, 363, 364, 365, 366, 367, 393,
D7/402, 403, 407, 408, 409, 410, 411,
D7/601, 605

CPC A21B 1/06; A21B 1/50; A21B 1/52; A47J
37/04; A47J 37/06; A47J 37/015; A47J
37/067; A47J 37/0611; A47J 37/0629;
A47J 37/0676; A47J 37/108; F24C 7/06;
F24C 7/083; F24C 15/02; F24C 15/66;
H05B 3/20; H05B 3/40

See application file for complete search history.

(56) **References Cited**

U.S. PATENT DOCUMENTS

D430,454 S * 9/2000 Garber D7/354
6,199,473 B1 * 3/2001 Dotan A47J 37/04
99/332

D753,431 S * 4/2016 Garman D7/352
D761,613 S * 7/2016 Moon D7/354
D764,856 S * 8/2016 Sandberg D7/354
D809,852 S * 2/2018 Chang D7/360
D848,202 S * 5/2019 Carey D7/360
2005/0029249 A1 * 2/2005 Wanat A47J 27/004
219/494
2011/0095015 A1 * 4/2011 Kao A47J 27/08
219/433
2018/0000276 A1 * 1/2018 Choi A47J 27/21158
2018/0333004 A1 * 11/2018 De' Longhi A23L 5/10

FOREIGN PATENT DOCUMENTS

JP 10201615 A * 8/1998

* cited by examiner

Primary Examiner — Dana K Weiland

Assistant Examiner — Messina L Smith

(74) *Attorney, Agent, or Firm* — Nixon & Vanderhye P.C.

(57) **CLAIM**

The ornamental design for an electric cooker, as shown and described.

DESCRIPTION

FIG. 1 is a perspective view of an electric cooker showing the new design;

FIG. 2 is a front view thereof;

FIG. 3 is a rear view thereof;

FIG. 4 is a left side view thereof;

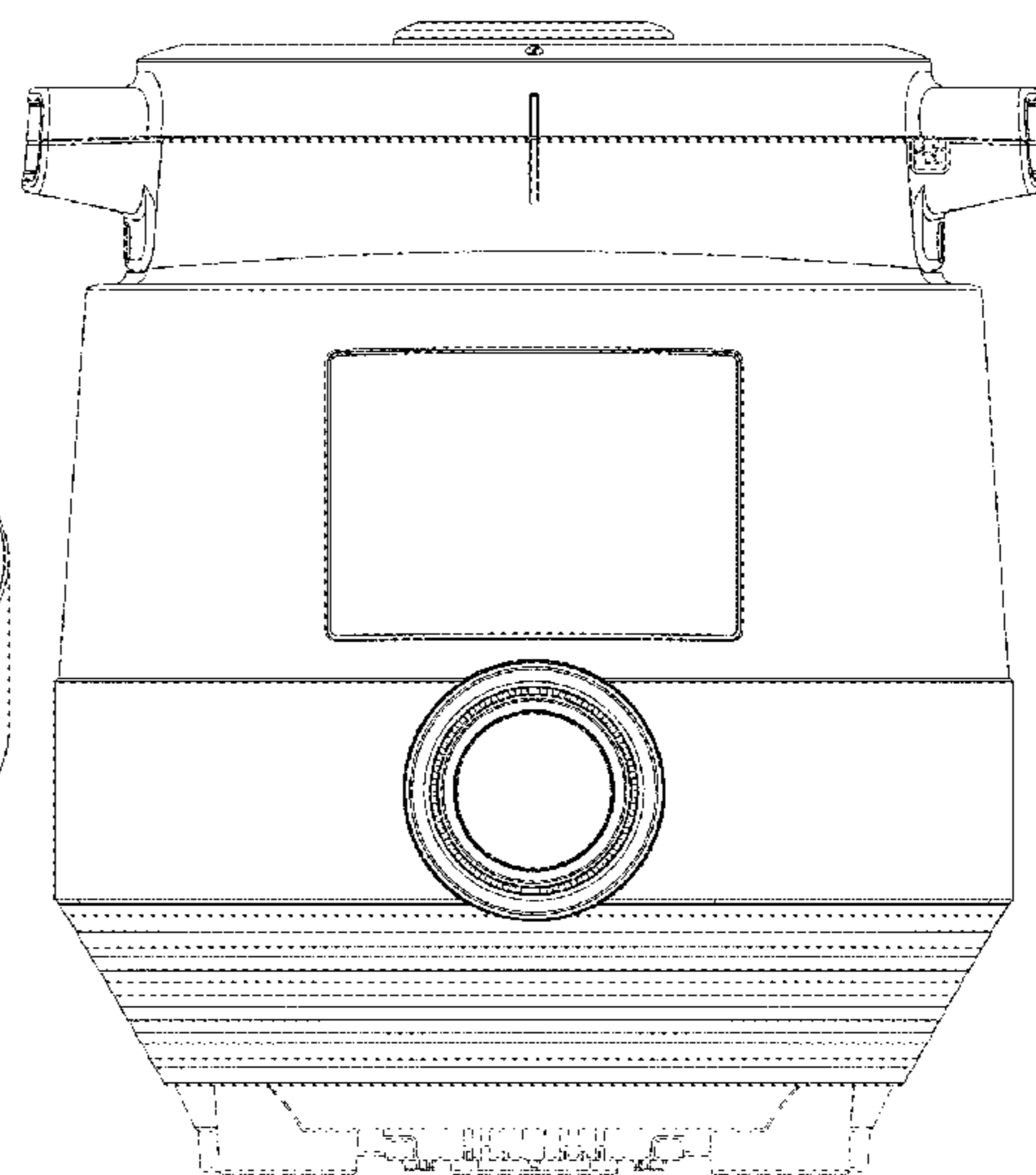
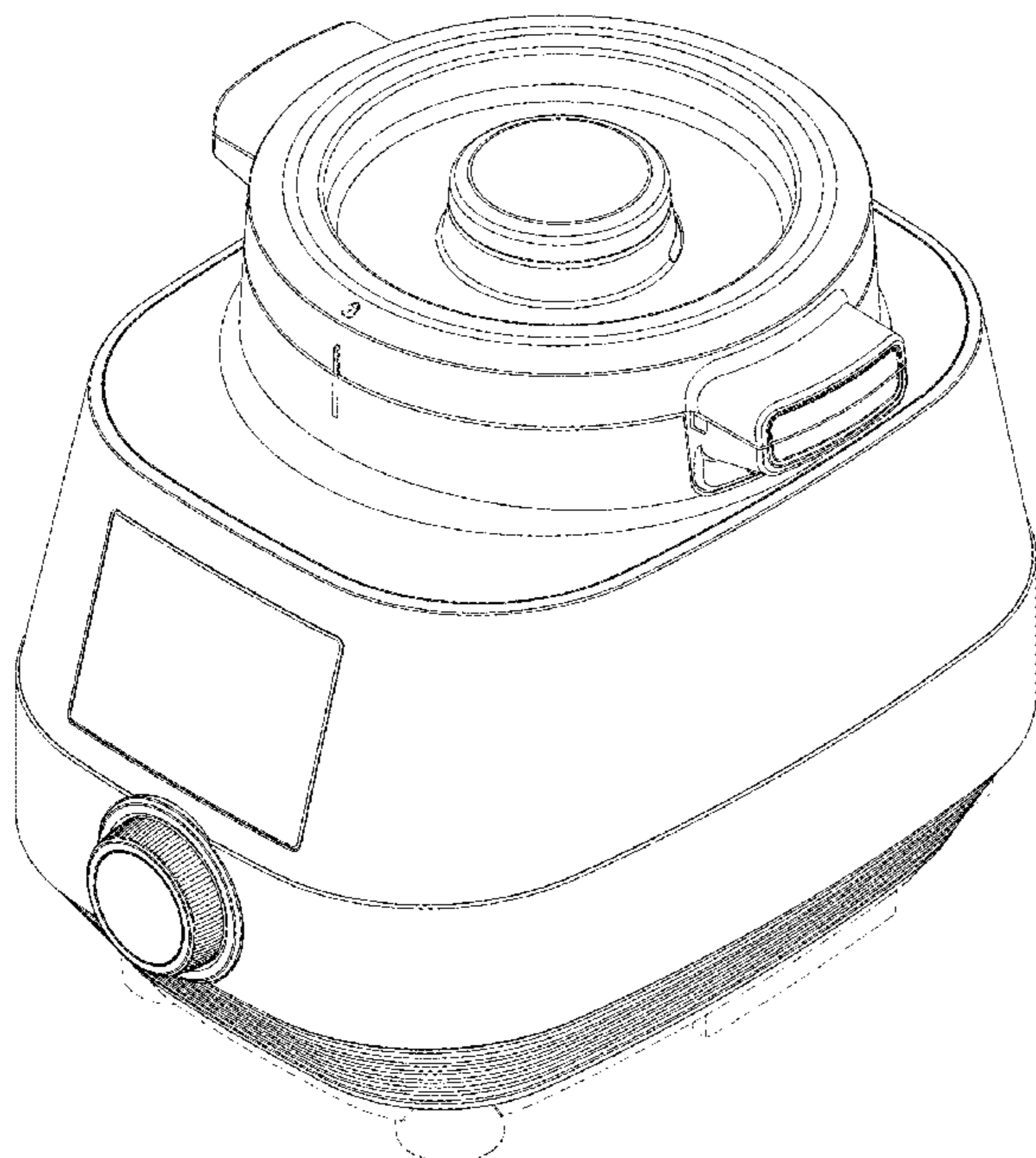
FIG. 5 is a right side view thereof;

FIG. 6 is a top view thereof; and,

FIG. 7 is a bottom view thereof.

The broken lines shown in the drawings depict portions of the electric cooker that form no part of the claimed design.

1 Claim, 7 Drawing Sheets



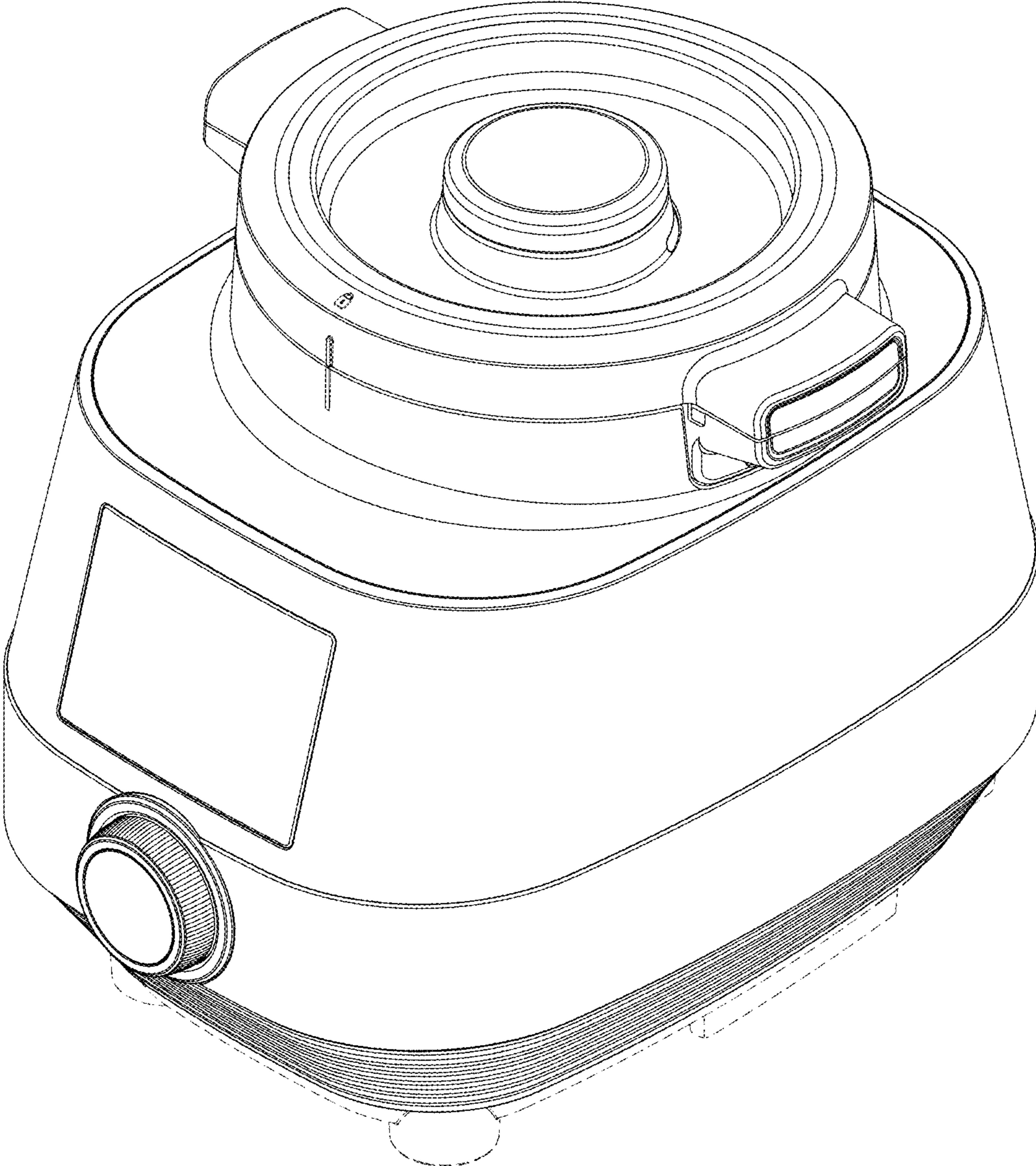


FIG.1

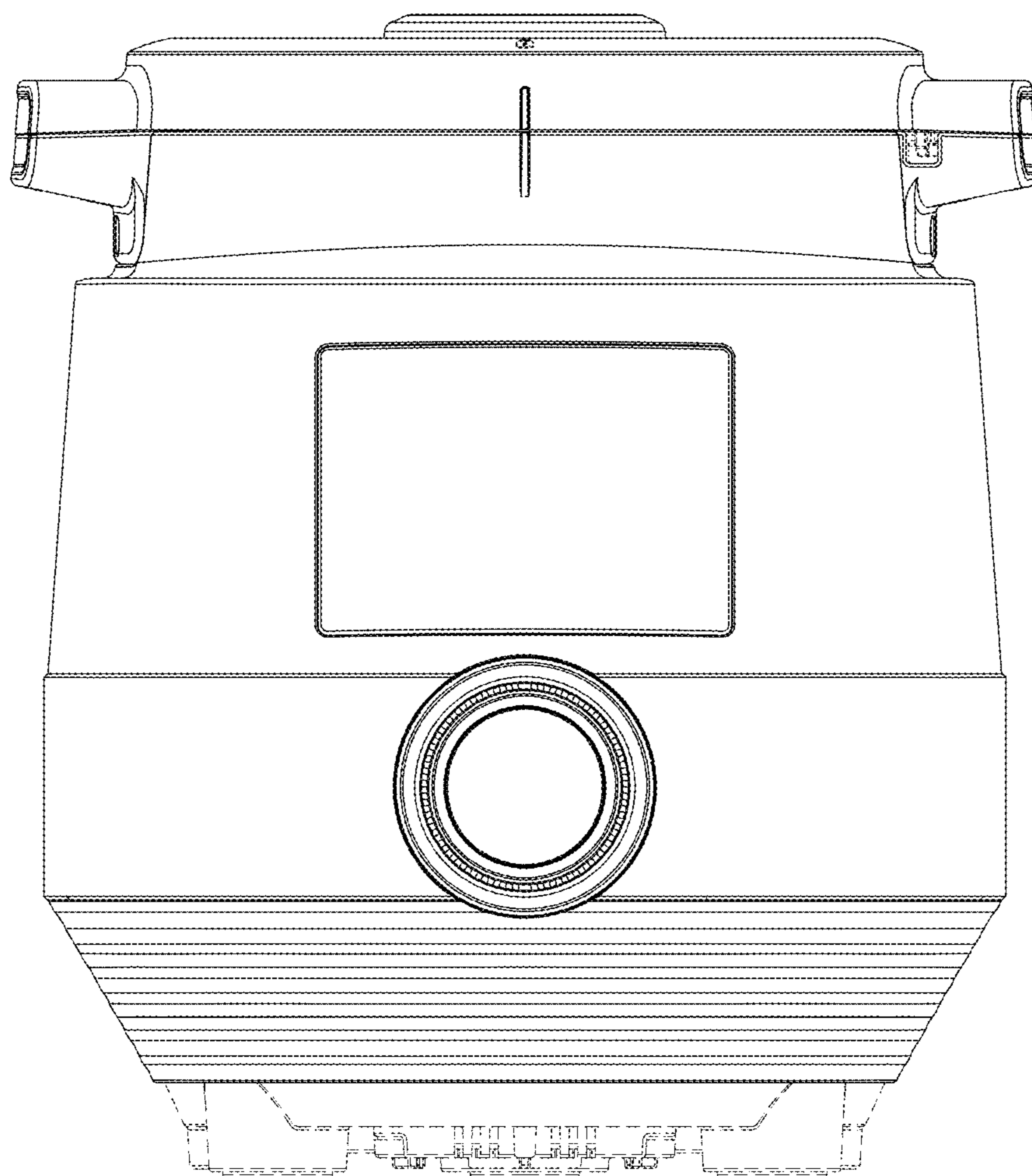


FIG. 2

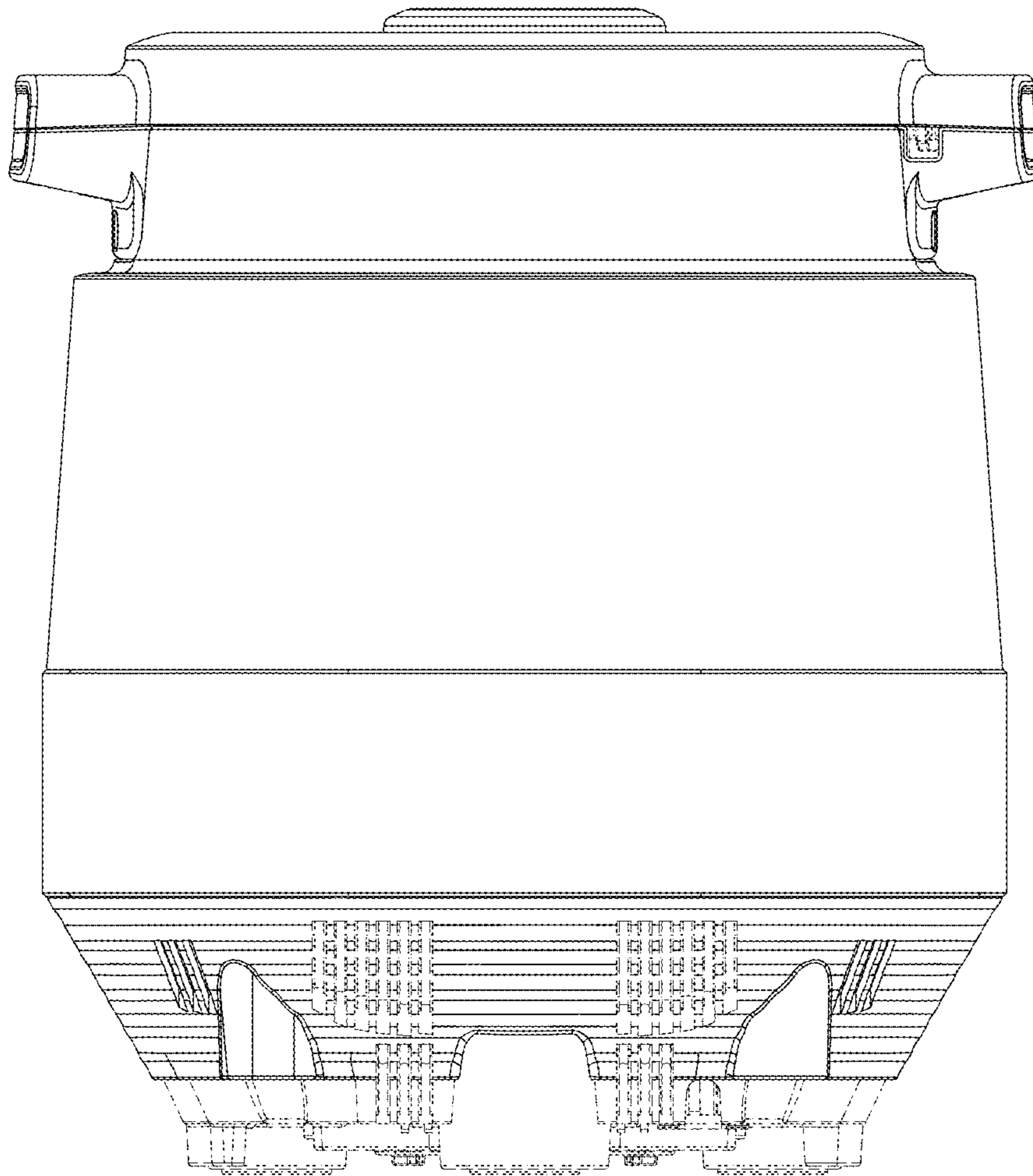


FIG. 3

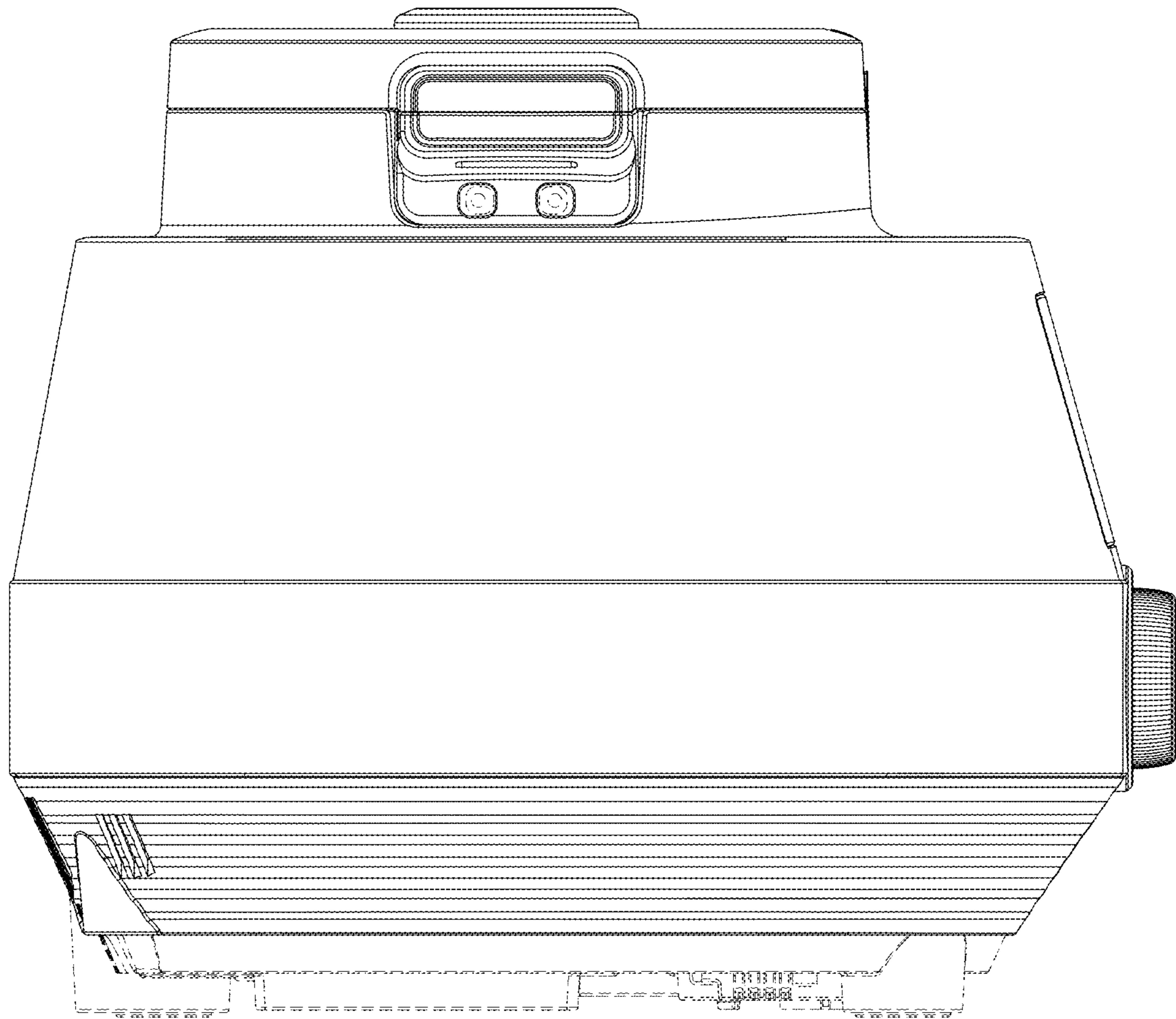


FIG. 4

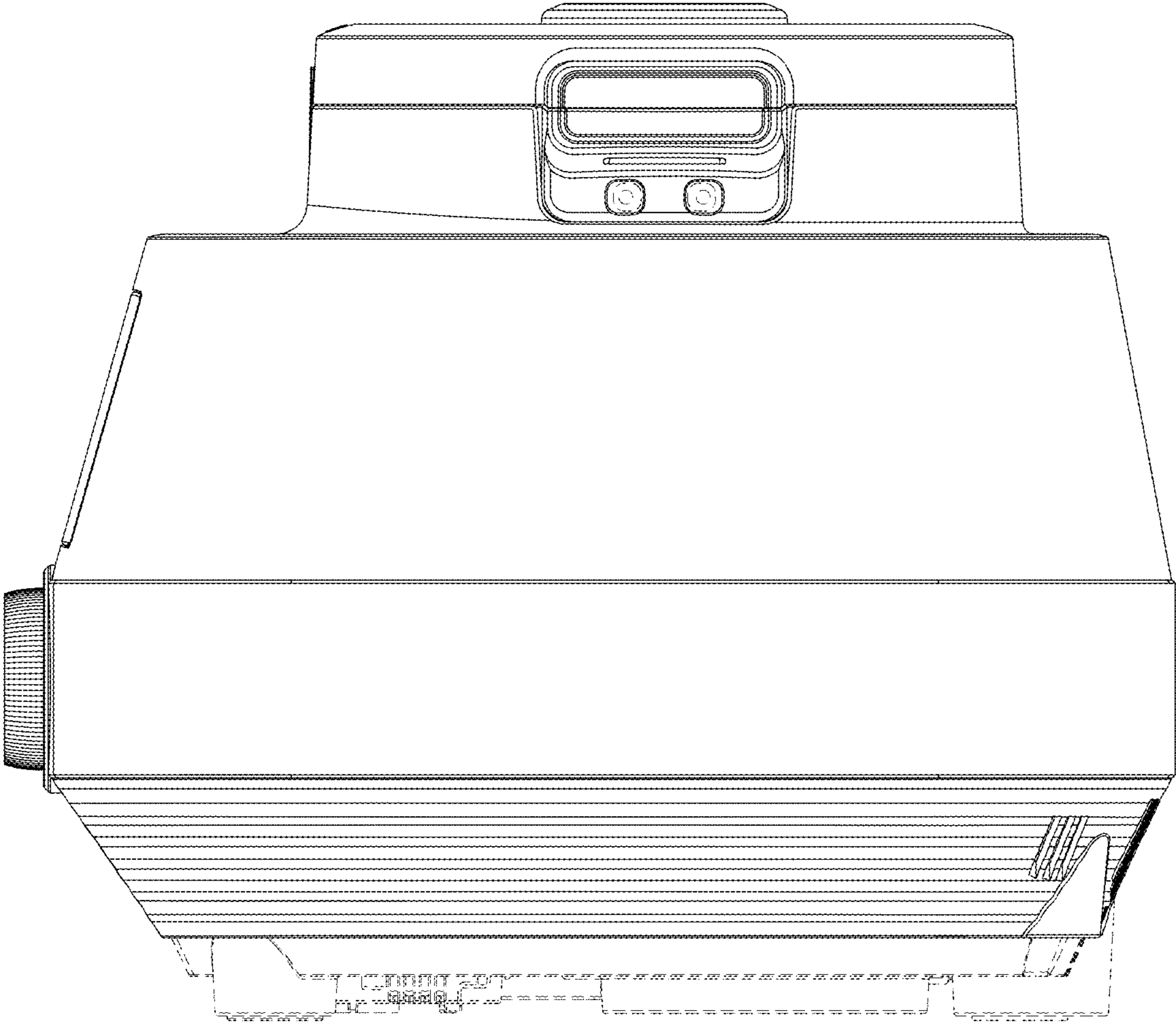


FIG. 5

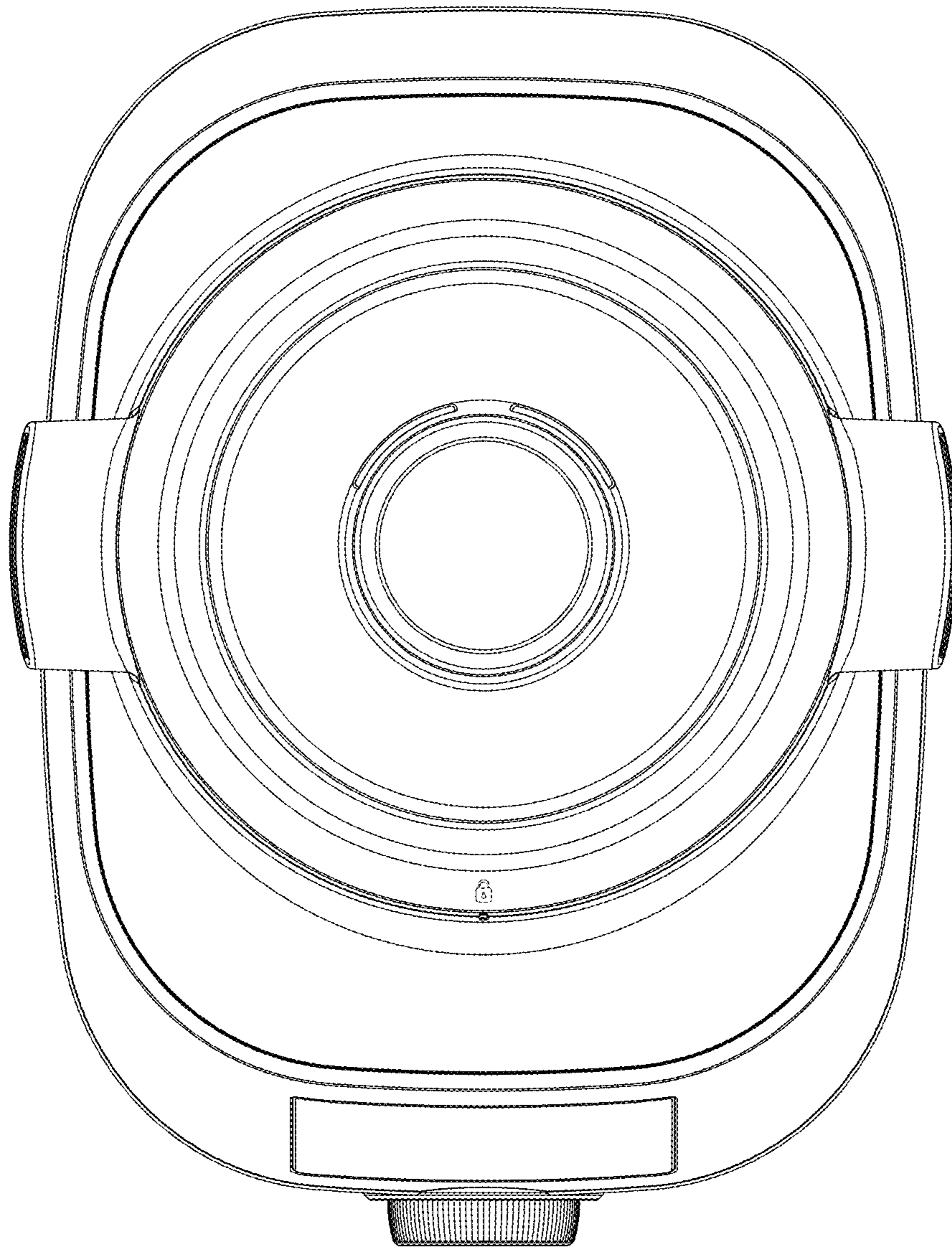


FIG. 6

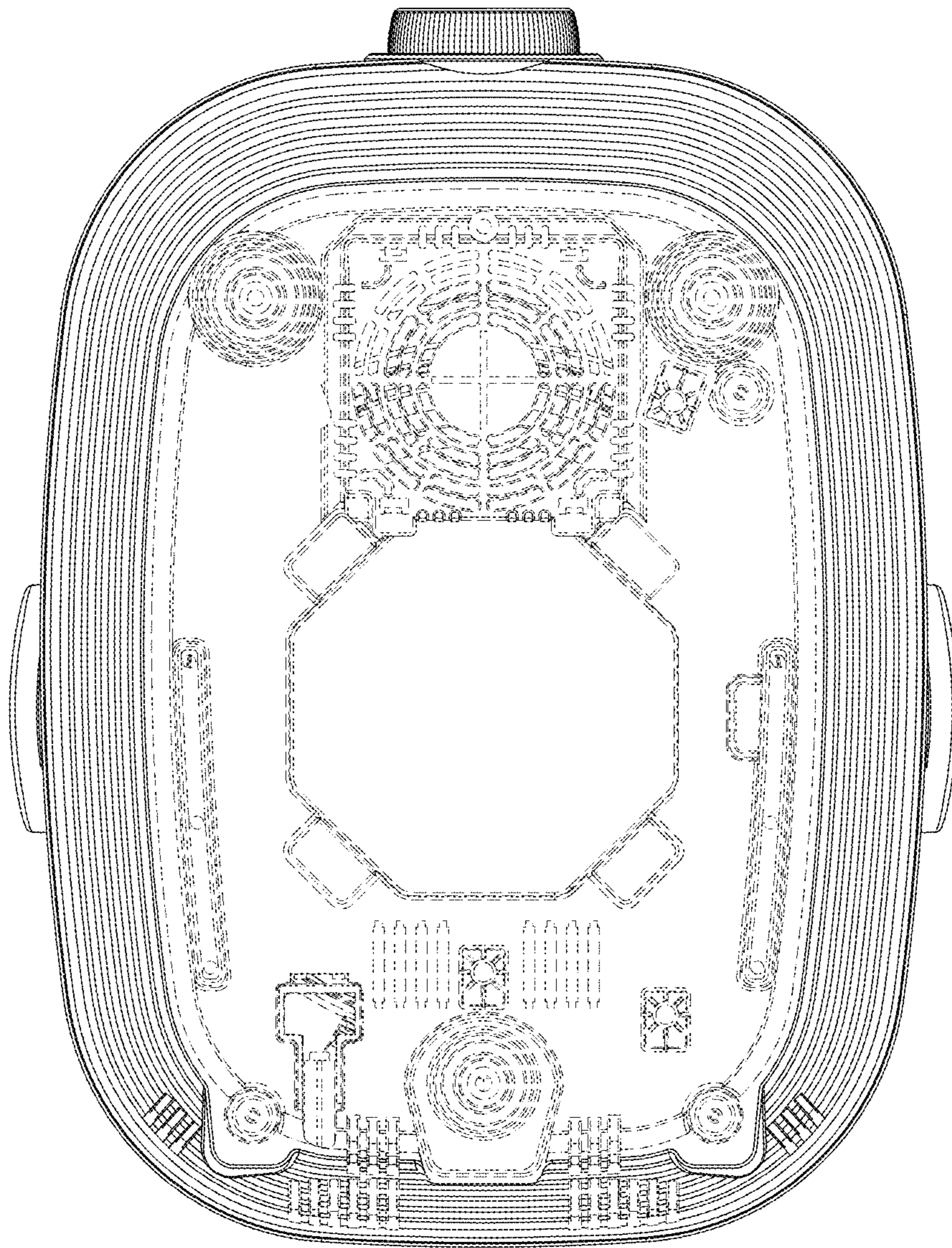


FIG. 7