



US00D896562S

(12) **United States Design Patent**
Shi

(10) **Patent No.:** **US D896,562 S**

(45) **Date of Patent:** **** Sep. 22, 2020**

- (54) **BBQ GRILL**
- (71) Applicant: **Zhenwen Shi**, Jiangmen Guangdong (CN)
- (72) Inventor: **Zhenwen Shi**, Jiangmen Guangdong (CN)
- (**) Term: **15 Years**
- (21) Appl. No.: **29/690,691**
- (22) Filed: **May 9, 2019**
- (51) **LOC (12) Cl.** **07-02**
- (52) **U.S. Cl.**
USPC **D7/338**
- (58) **Field of Classification Search**
USPC D7/332-338, 402-409, 355, 356, 360, D7/362, 364-366; 126/25 R, 9 R, 29, 126/519
CPC A47J 37/07-0763; A47J 37/0781; A47J 37/0786; A47J 33/00; A47J 2037/0777; A47J 2201/00; A47J 37/041; A47J 37/042; A47J 37/047; F24C 3/14; F24C 1/16; F24B 1/181; F24B 1/19; F24B 1/195; F24B 3/00; F24B 1/00; F24B 1/202-207
See application file for complete search history.

D380,933 S *	7/1997	Schlosser	D7/332
D381,552 S *	7/1997	Pizzey	D7/332
5,799,569 A *	9/1998	Moreth	A47J 37/042 99/419
5,884,554 A *	3/1999	Sprick	A47J 37/0704 126/25 A
6,012,444 A *	1/2000	Skender	F24C 3/087 126/21 A
6,347,577 B1 *	2/2002	Harneit	A47J 37/047 99/419
D535,845 S *	1/2007	King	D7/332
7,514,651 B2 *	4/2009	Popeil	A47J 37/042 219/392
D708,001 S *	7/2014	Measom	D7/332
D844,360 S *	4/2019	Hibiki	D7/334
2005/0155496 A1 *	7/2005	Lu	A47J 37/0704 99/419
2012/0186461 A1 *	7/2012	Carson	A47J 37/0763 99/421 H

* cited by examiner

Primary Examiner — Brett Miller

(74) *Attorney, Agent, or Firm* — Enshan Hong; VLP Law Group LLP

(57) **CLAIM**

The ornamental design for a BBQ grill, as shown and described.

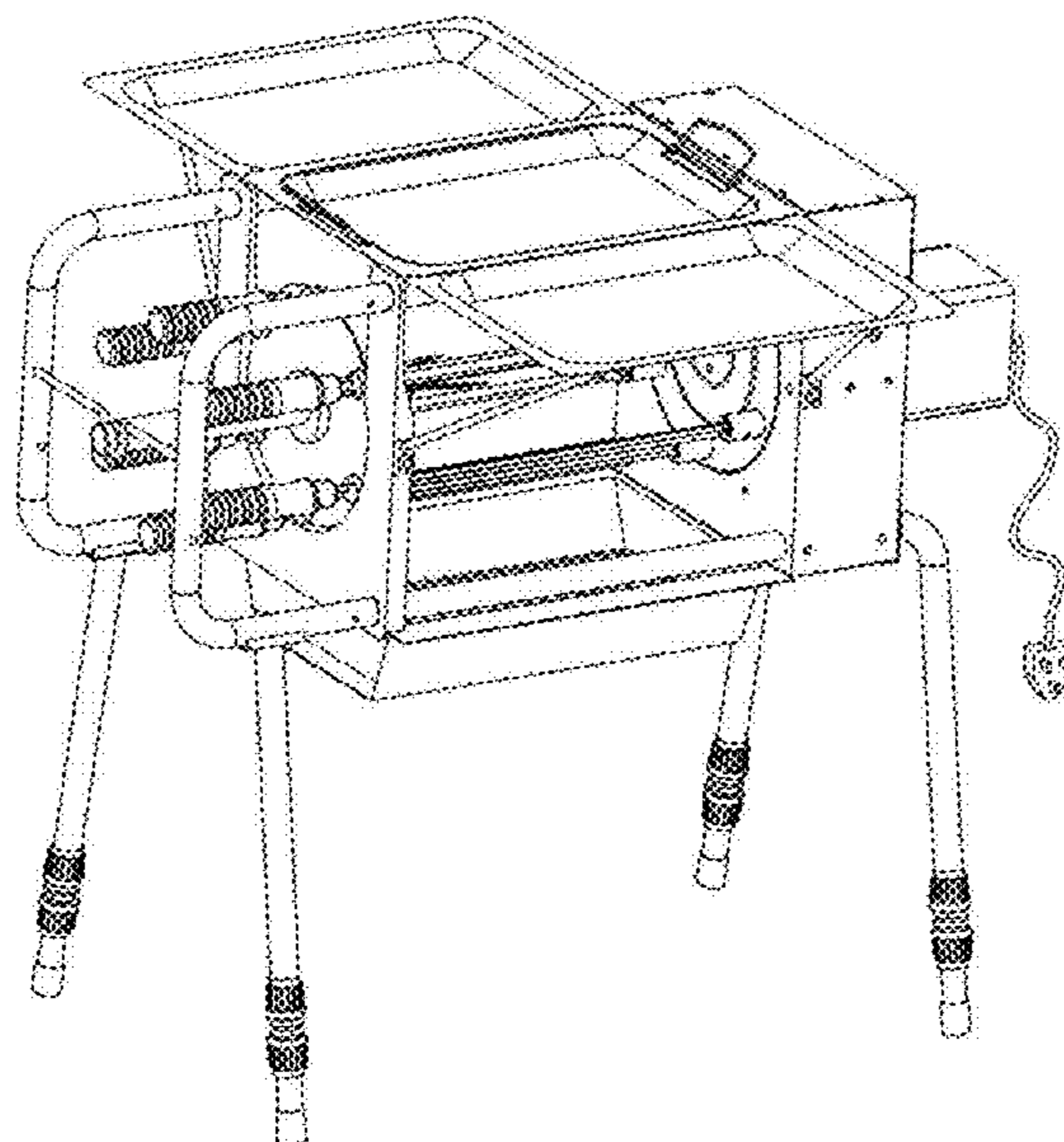
DESCRIPTION

FIG. 1 is a front view of a BBQ grill showing my new design thereof;
 FIG. 2 is a back view thereof;
 FIG. 3 is a left view thereof;
 FIG. 4 is a right view thereof;
 FIG. 5 is a top view thereof;
 FIG. 6 is a bottom view thereof;
 FIG. 7 is a perspective view thereof; and,
 FIG. 8 is a perspective view of the BBQ grill, when it is closed and not used.

1 Claim, 4 Drawing Sheets

(56) **References Cited**
U.S. PATENT DOCUMENTS

2,762,293 A *	9/1956	Boyajian	A47J 37/041 99/421 P
3,124,057 A *	3/1964	Kiser	A47J 37/0745 99/340
4,627,410 A *	12/1986	Jung	A47J 37/041 126/25 A
D301,106 S *	5/1989	Oliphant	D7/332
5,471,915 A *	12/1995	Lopata	A47J 37/042 99/419



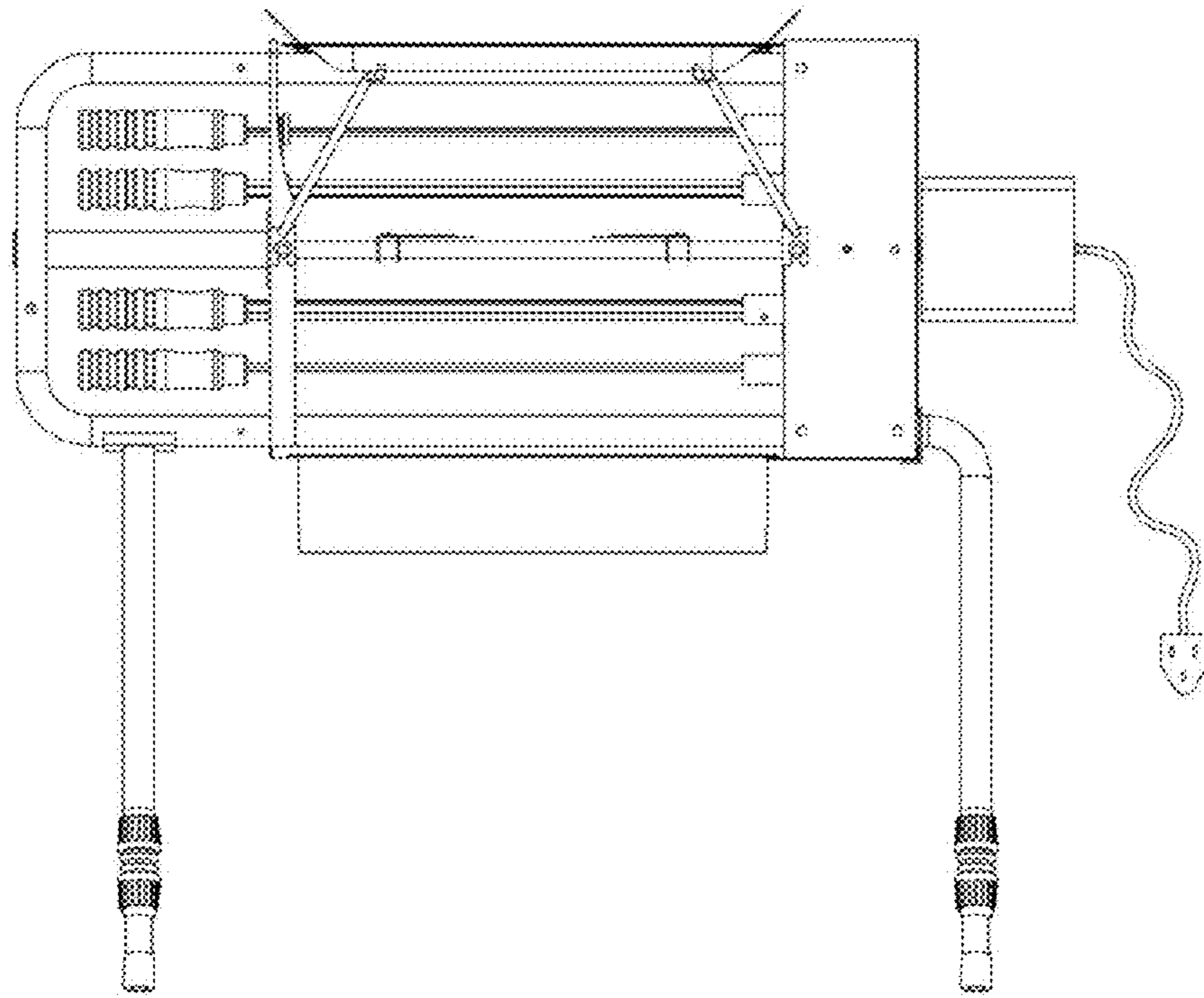


FIG.1

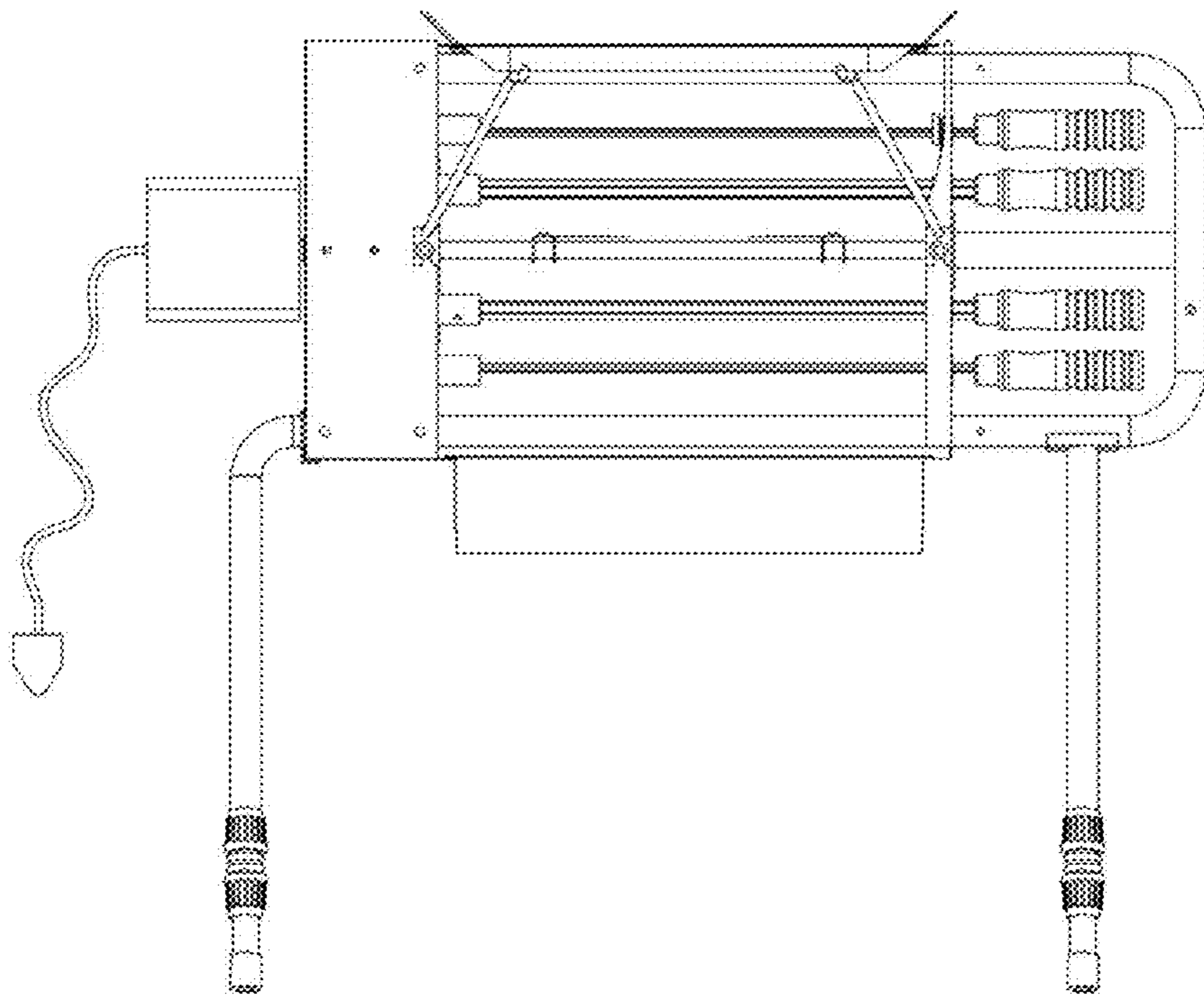


FIG.2

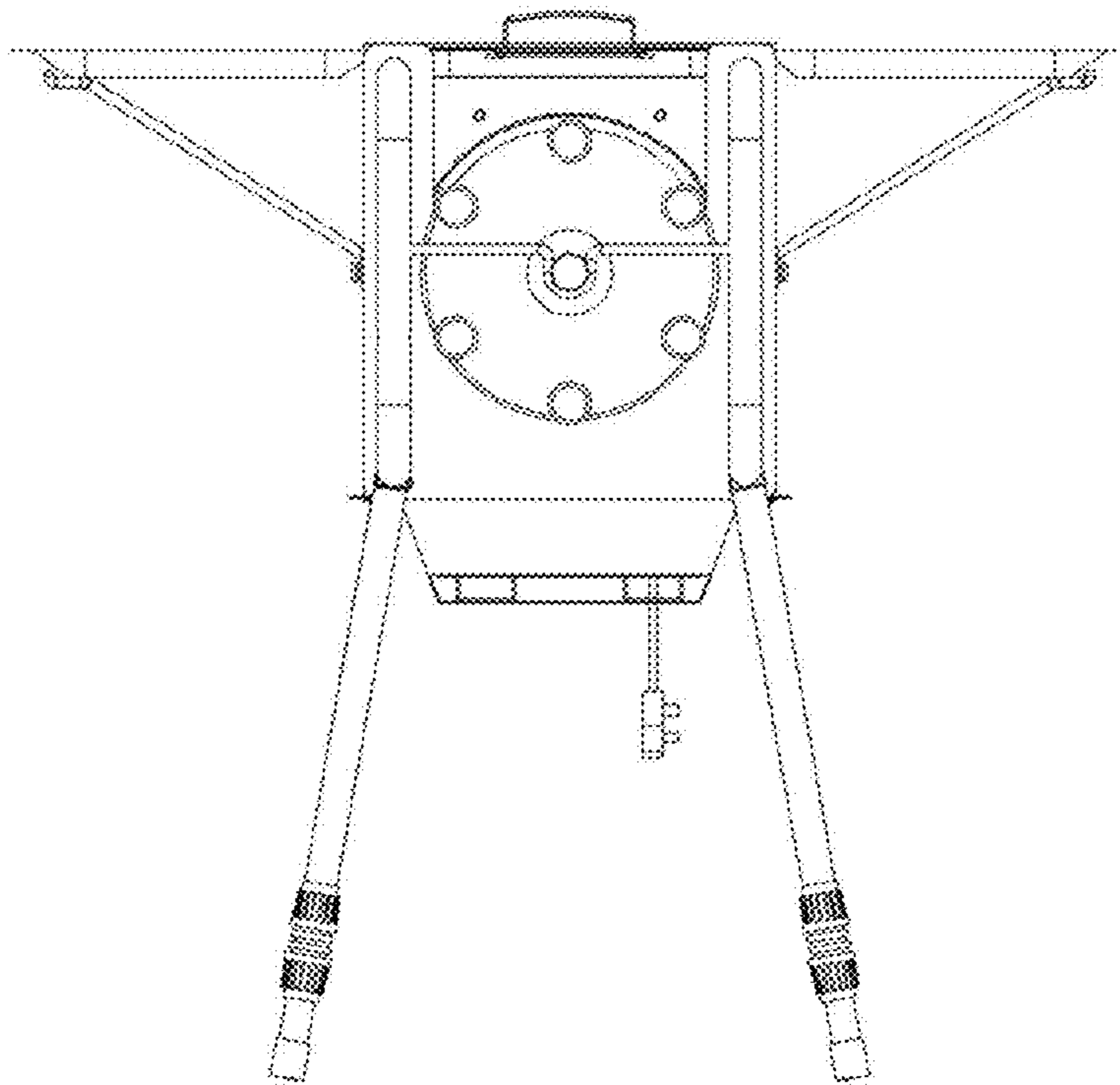


FIG.3

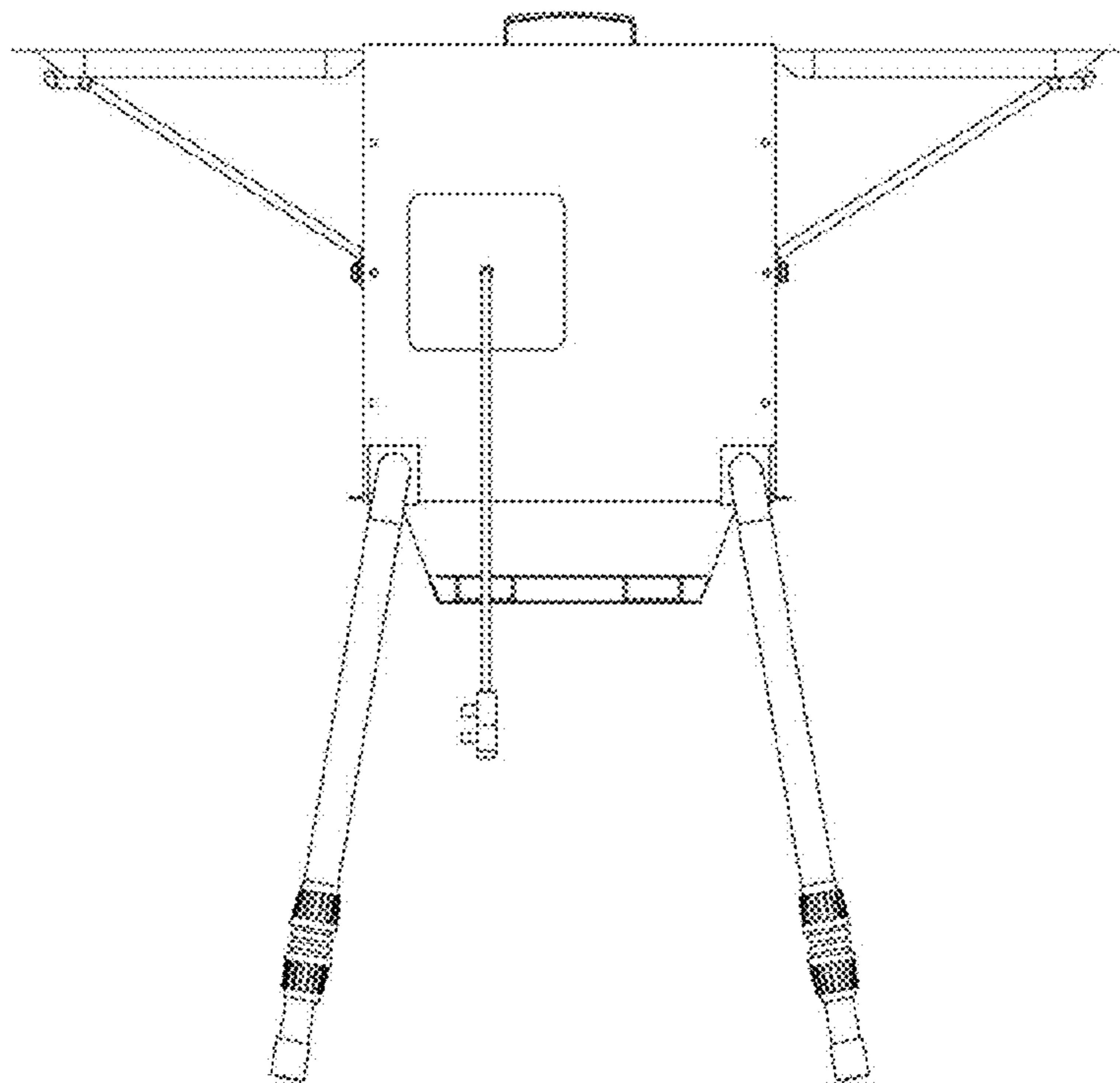


FIG.4

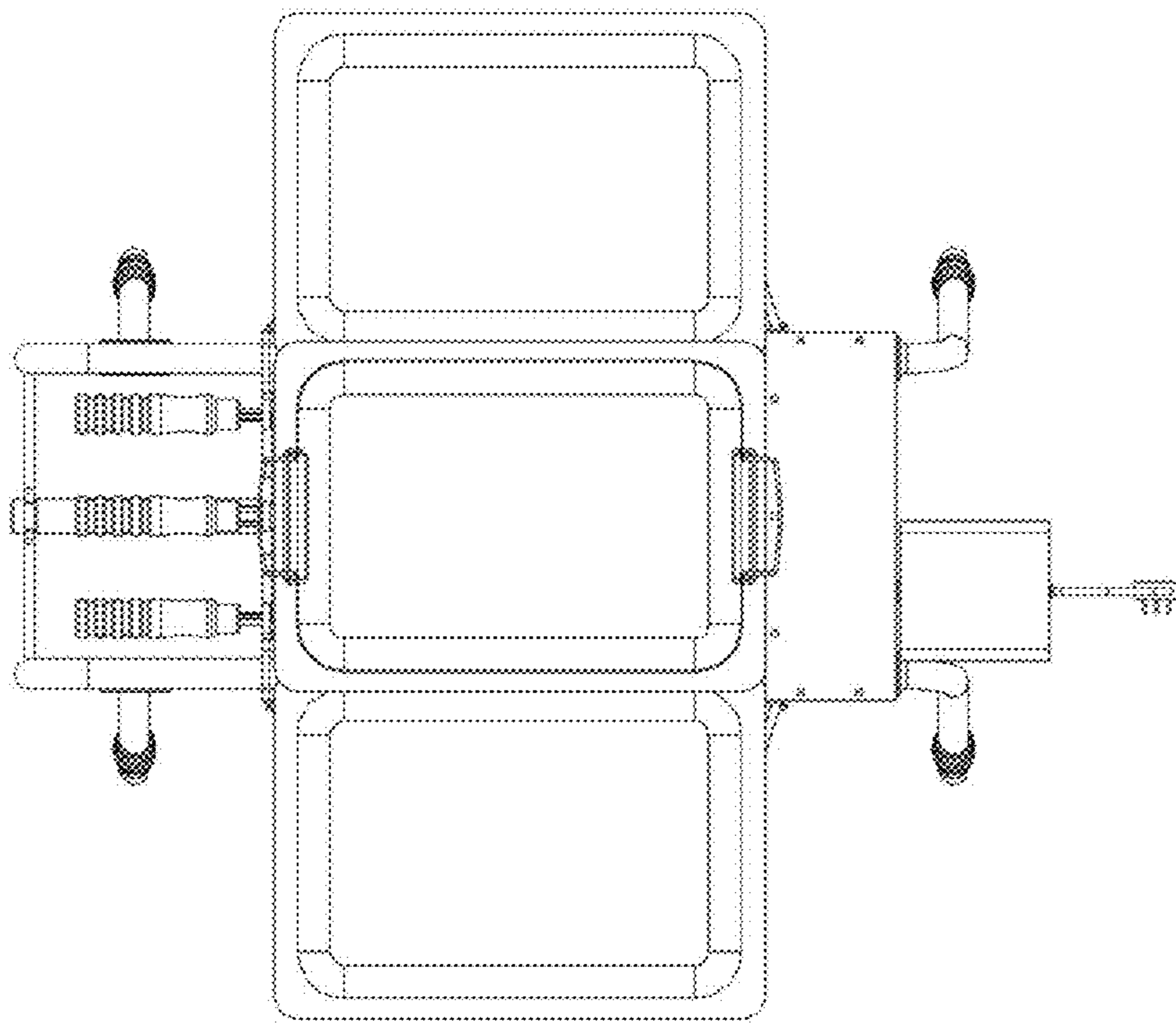


FIG. 5

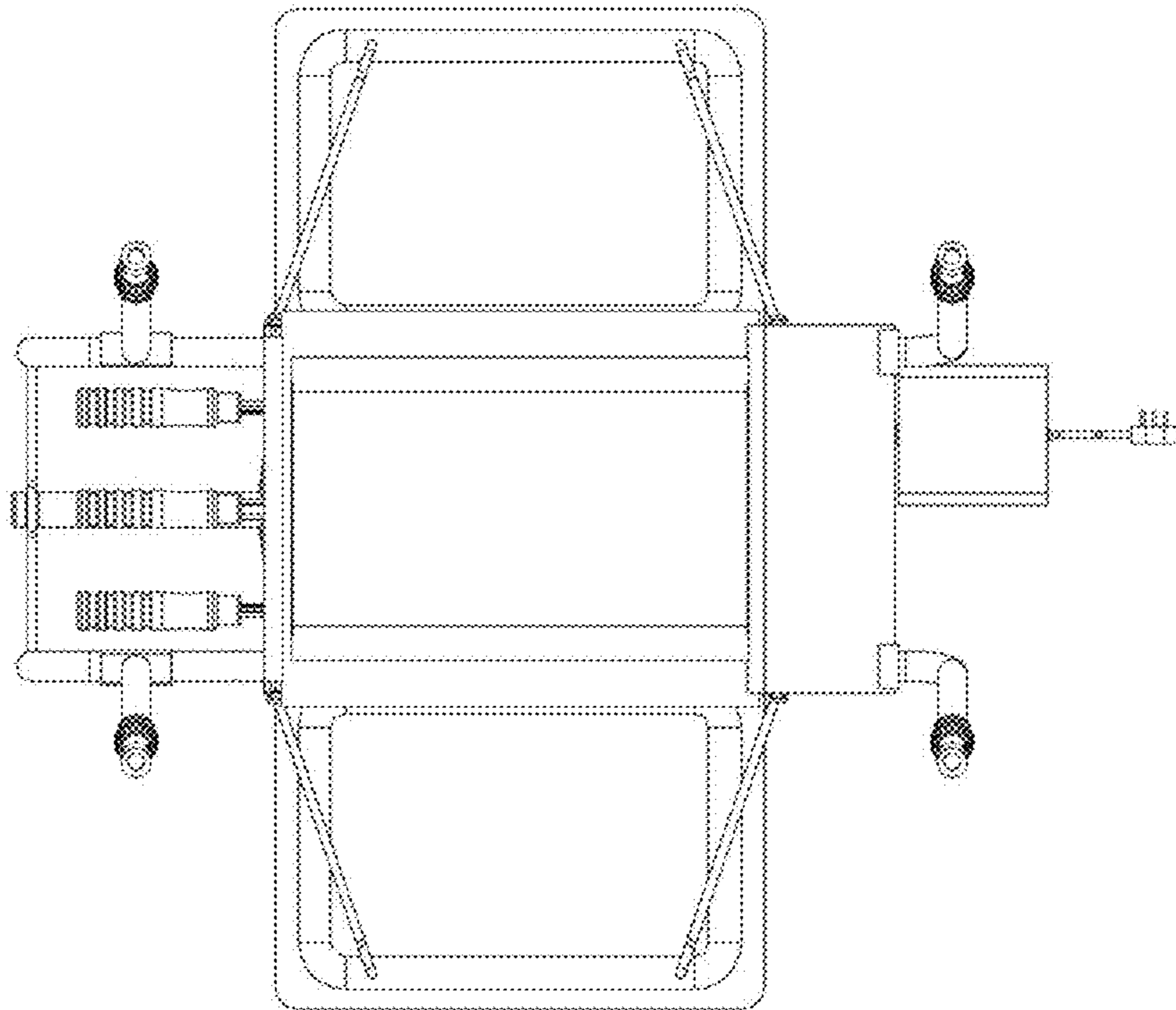


FIG. 6

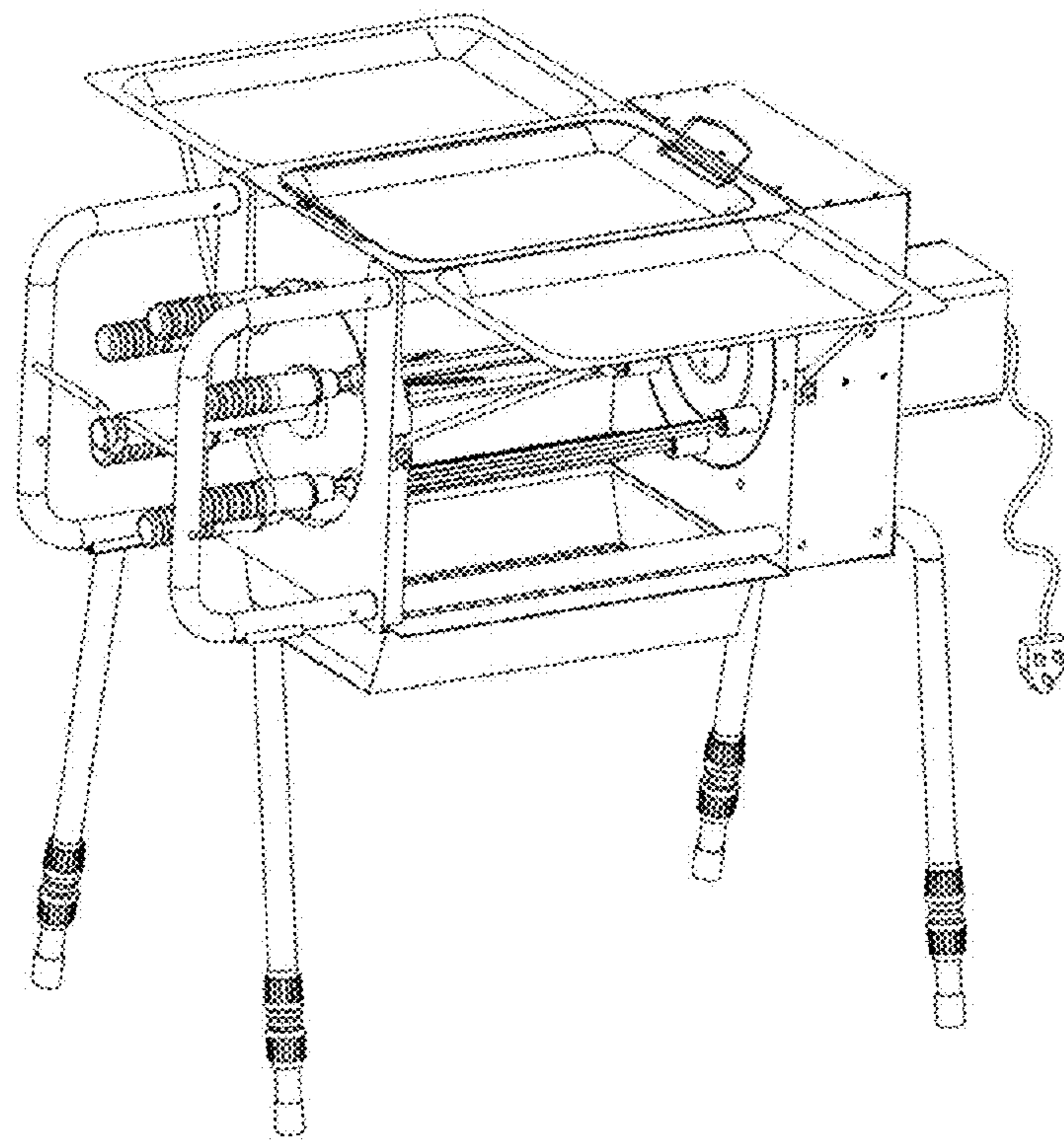


FIG. 7

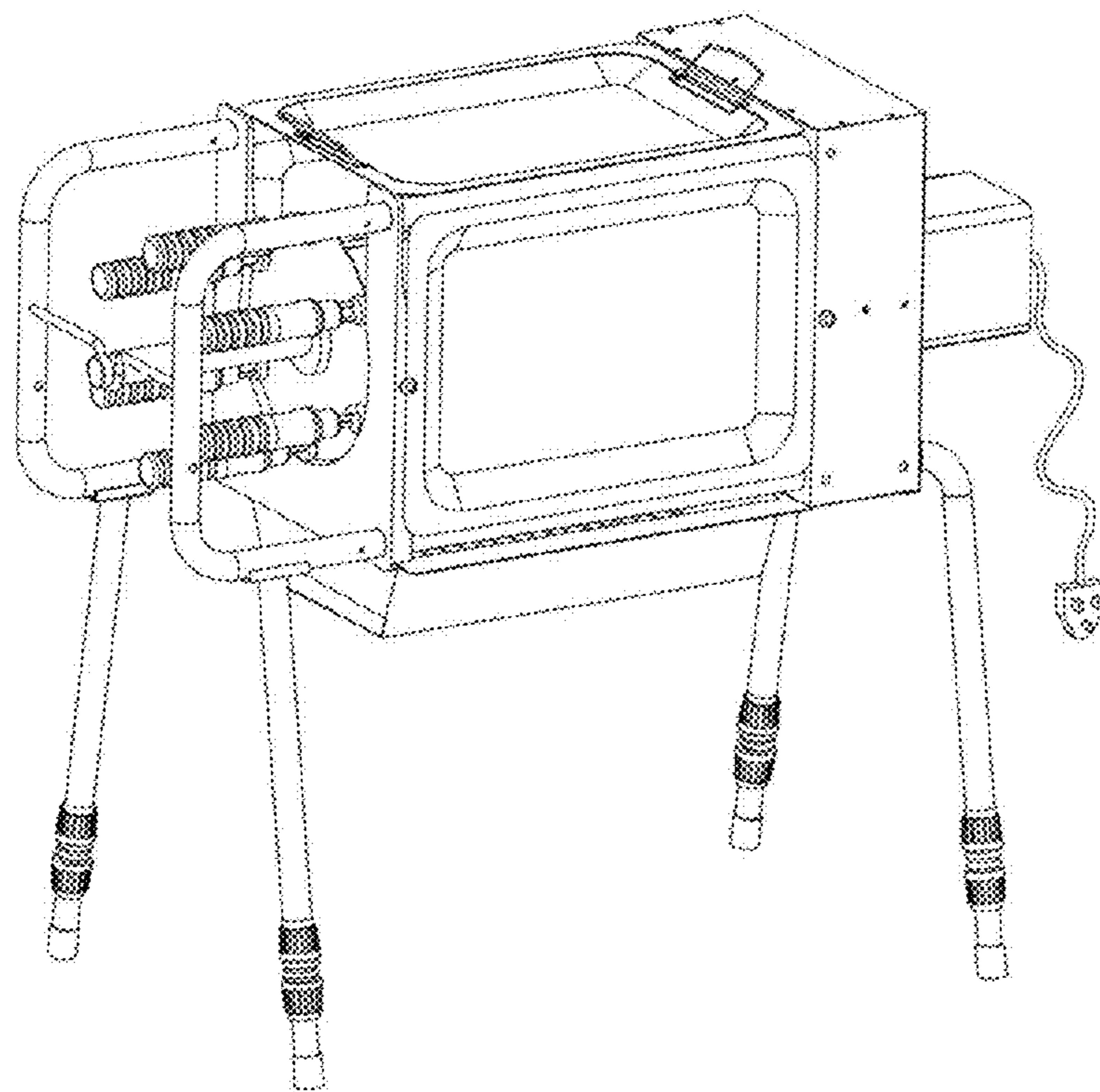


FIG. 8