



US00D896561S

(12) **United States Design Patent** (10) **Patent No.:** **US D896,561 S**
Measom et al. (45) **Date of Patent:** **** Sep. 22, 2020**

(54) **PORTABLE PELLETT GRILL**
 (71) Applicant: **Logan Outdoor Products, LLC**, Hyde Park, UT (US)
 (72) Inventors: **Ty Measom**, Logan, UT (US); **Brett Bennett**, Mantua, UT (US); **Trevor Mecham**, Logan, UT (US)
 (73) Assignee: **Logan Outdoor Products, LLC**, Hyde Park, UT (US)

9,186,020 B1 * 11/2015 Phillips A47J 37/0704
 D790,901 S * 7/2017 Zhou D7/334
 D820,628 S * 6/2018 Zhou D7/334
 D844,381 S * 4/2019 Measom D7/402
 2013/0298894 A1 * 11/2013 Kleinsasser A47J 37/0704
 126/25 R
 2017/0067649 A1 * 3/2017 Colston A47J 37/0704
 2017/0196400 A1 * 7/2017 Colston A47J 37/0704
 2018/0368618 A1 * 12/2018 Measom A47J 37/0713
 2019/0293295 A1 * 9/2019 Colston A47J 37/0786

(**) Term: **15 Years**

(21) Appl. No.: **29/663,333**

(22) Filed: **Sep. 13, 2018**

(51) **LOC (12) Cl.** **07-02**

(52) **U.S. Cl.**
USPC **D7/334**

(58) **Field of Classification Search**
USPC D7/332-337, 402-409; 126/25 R
CPC A47J 37/07-0786; A47J 33/00; A47J 2037/0777; A47J 2037/0795; A23B 4/044-056

See application file for complete search history.

(56) **References Cited**

U.S. PATENT DOCUMENTS

6,039,039 A * 3/2000 Pina, Jr. A47J 37/0704
 126/25 R
 6,626,089 B1 * 9/2003 Hubert A47J 37/07
 99/339
 D491,410 S * 6/2004 Saunders D7/334
 8,381,712 B1 * 2/2013 Simms, II A47J 37/0713
 126/2
 D680,793 S * 4/2013 Chung D7/332
 D680,794 S * 4/2013 Chung D7/332
 D690,983 S * 10/2013 Eftink D7/334
 D712,189 S * 9/2014 Eftink D7/334
 D733,483 S * 7/2015 Baker D7/332

OTHER PUBLICATIONS

Camp Chef, Pursuit Pellet Grill, Oct. 11, 2018, Youtube, <https://www.youtube.com/watch?v=ronxsXtkqrg> (Year: 2018).*

* cited by examiner

Primary Examiner — Brett Miller

(74) *Attorney, Agent, or Firm* — Amardeep S. Grewal; Gerard M. Donovan; Reed Smith LLP

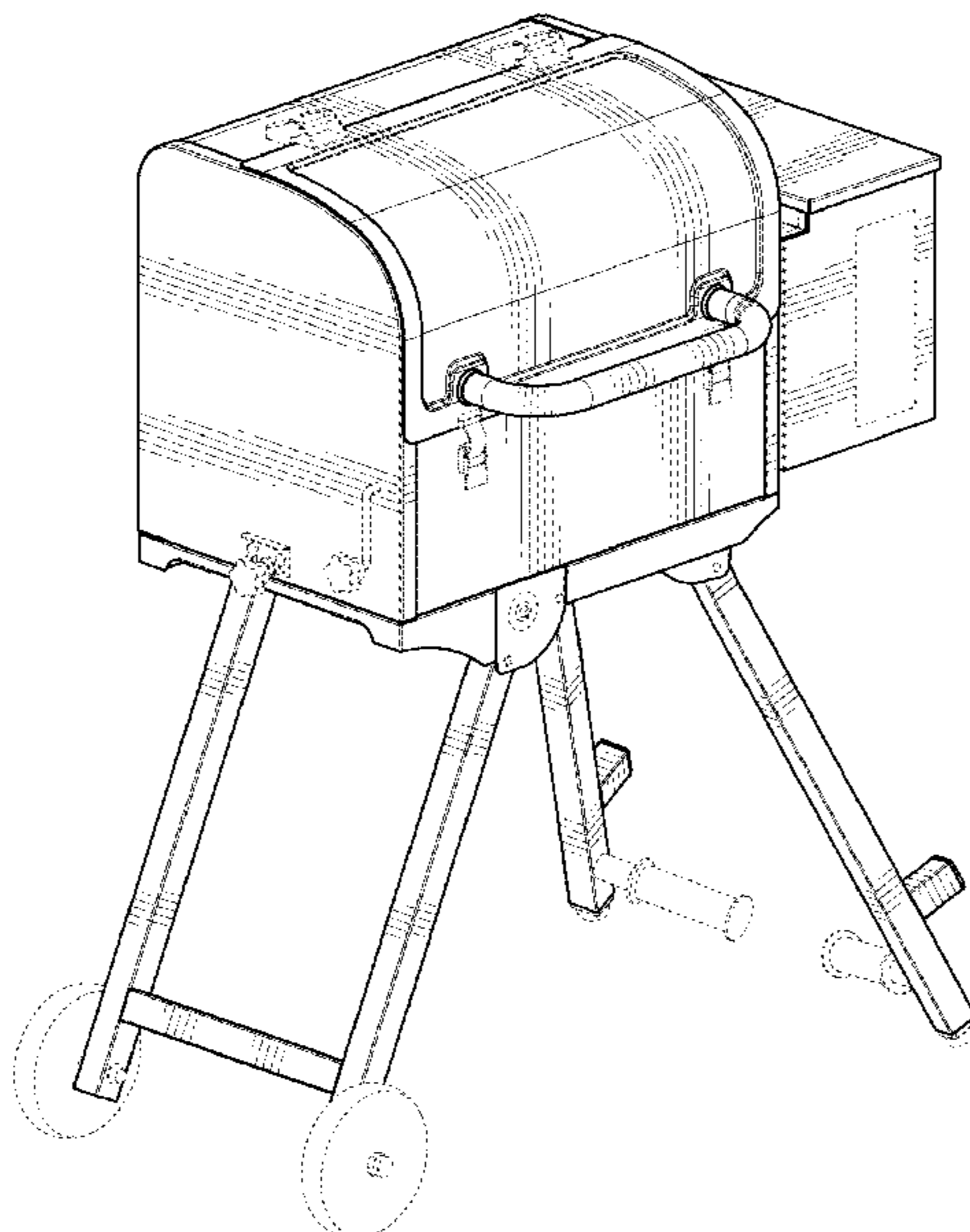
(57) **CLAIM**

The ornamental design for a portable pellet grill, as shown and described.

DESCRIPTION

FIG. 1 is a top front perspective view;
 FIG. 2 is a bottom front perspective view;
 FIG. 3 is a front view;
 FIG. 4 is a back view;
 FIG. 5 is a right side view;
 FIG. 6 is a left side view;
 FIG. 7 is a top view;
 FIG. 8 is a bottom view; and,
 FIG. 9 is an alternate front perspective view showing legs of the grill folded.
 The broken lines depict portions of the grill that form no part of the claimed design.

1 Claim, 9 Drawing Sheets



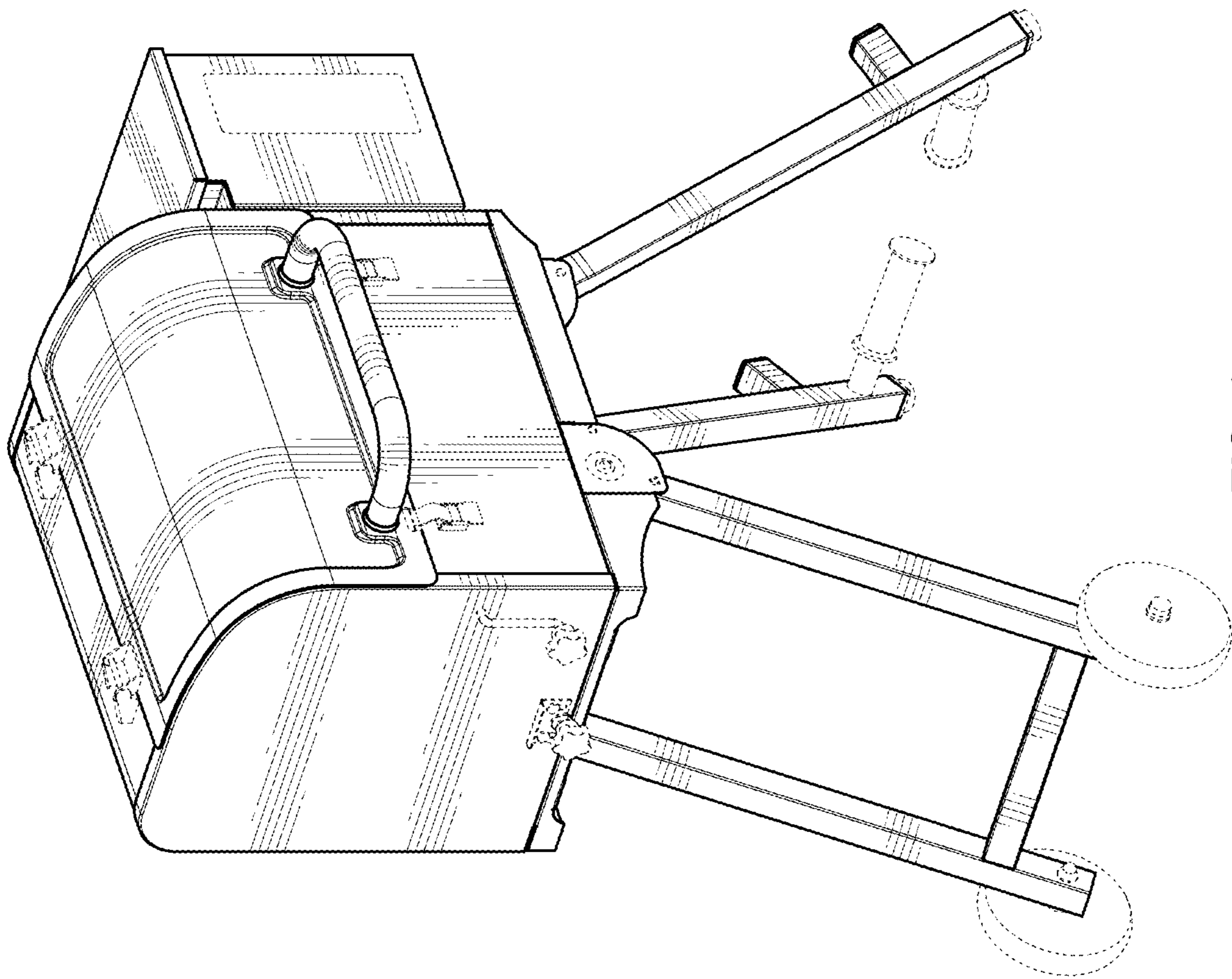


FIG. 1

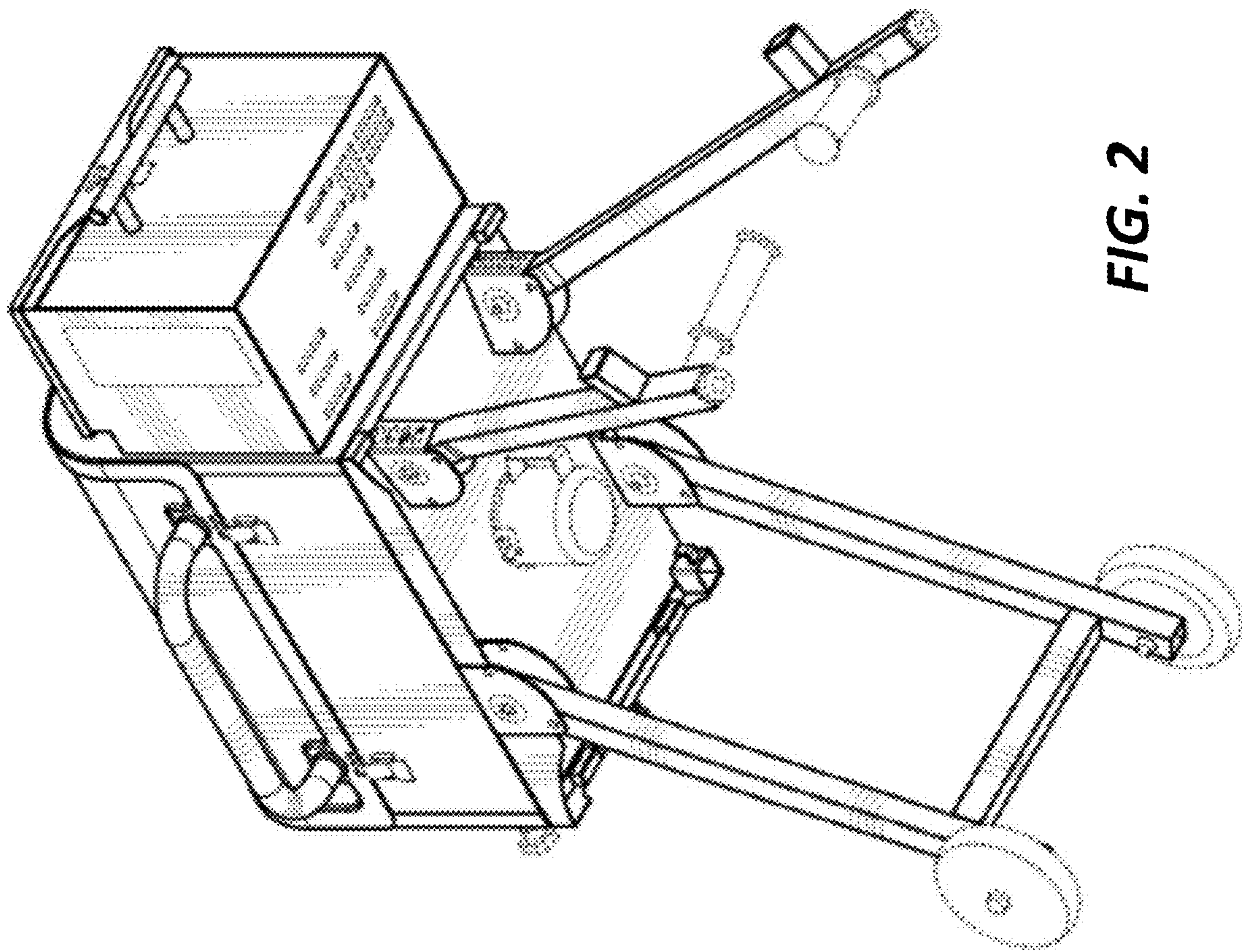


FIG. 2

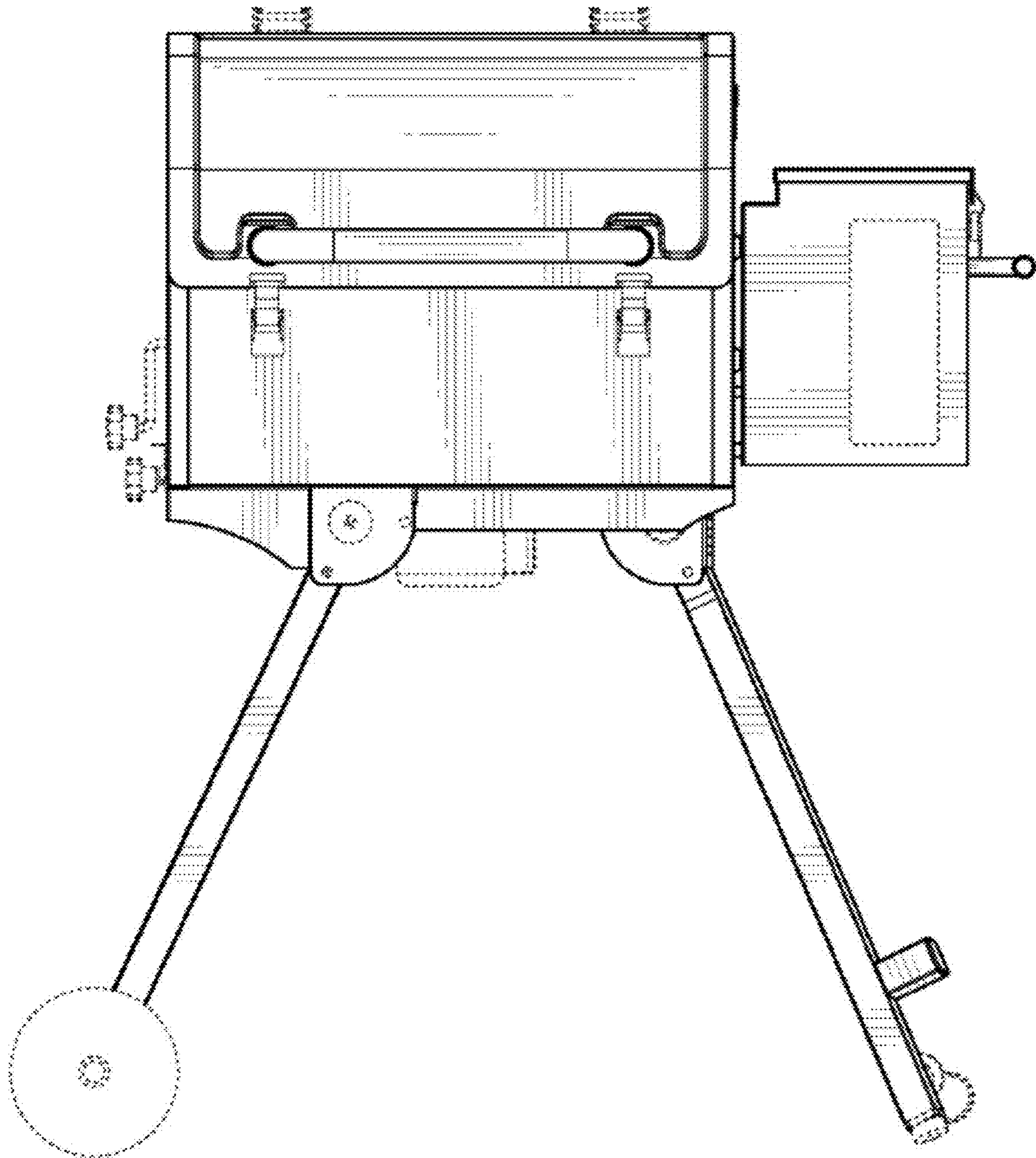


FIG. 3

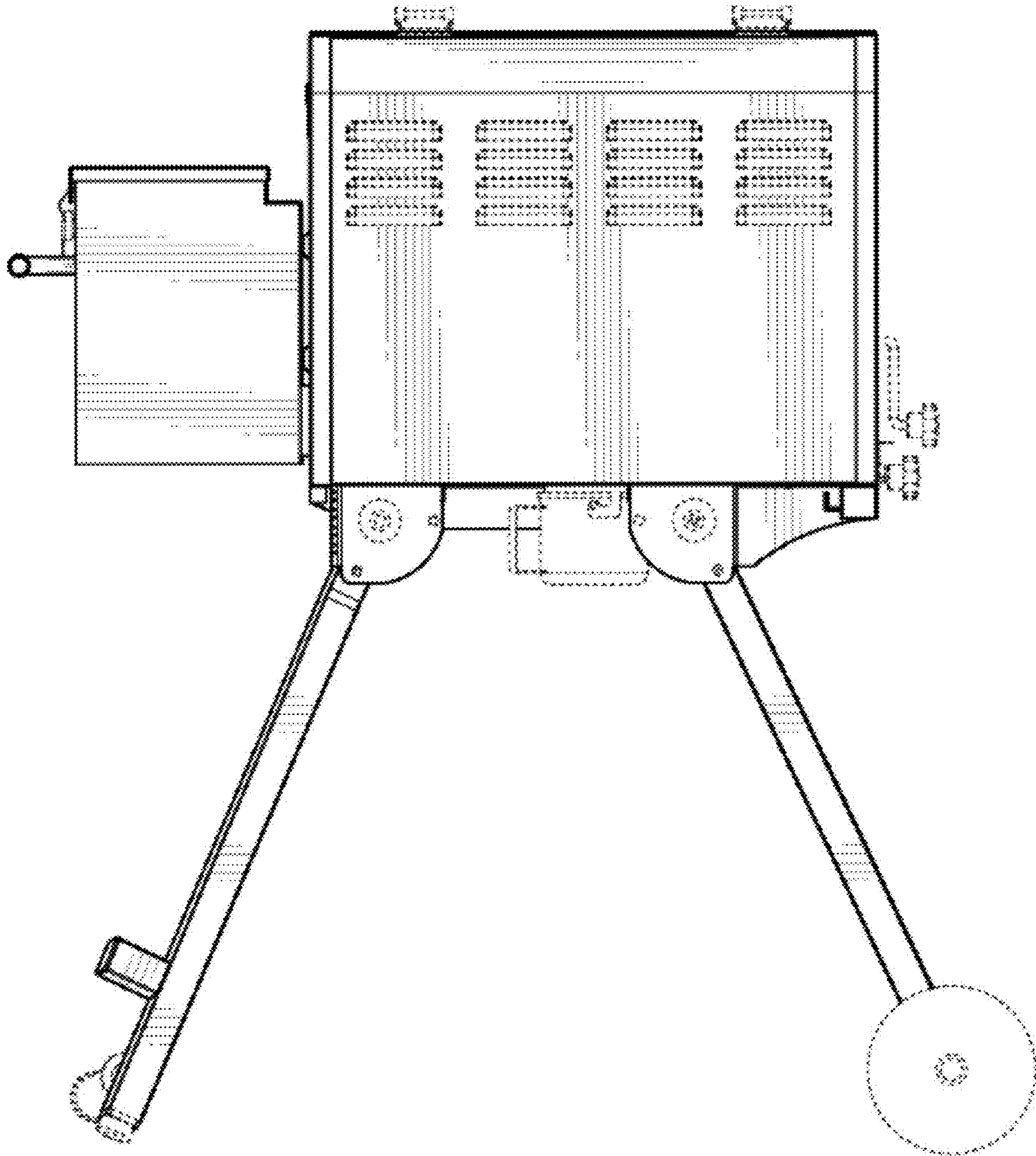


FIG. 4

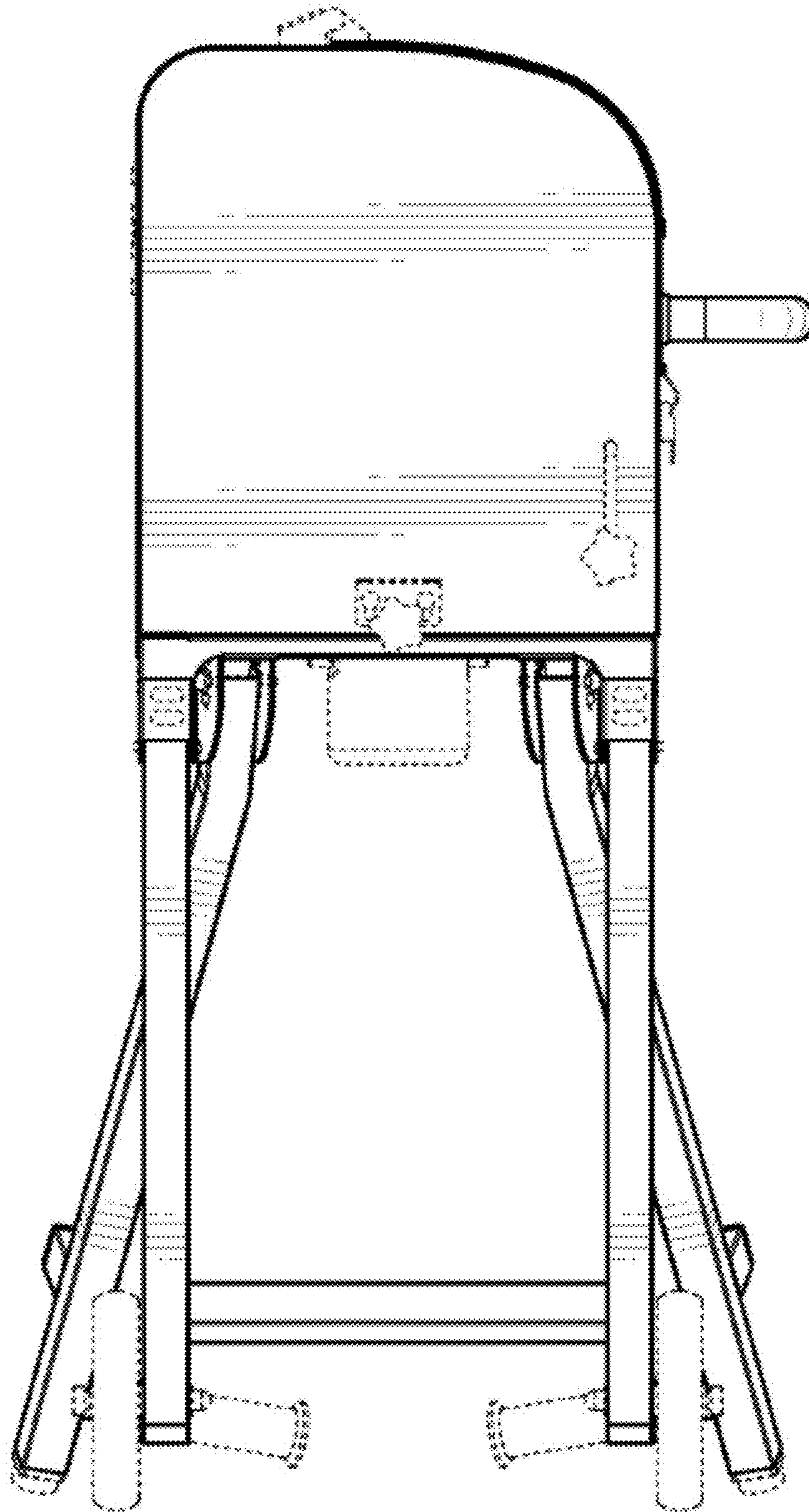


FIG. 5

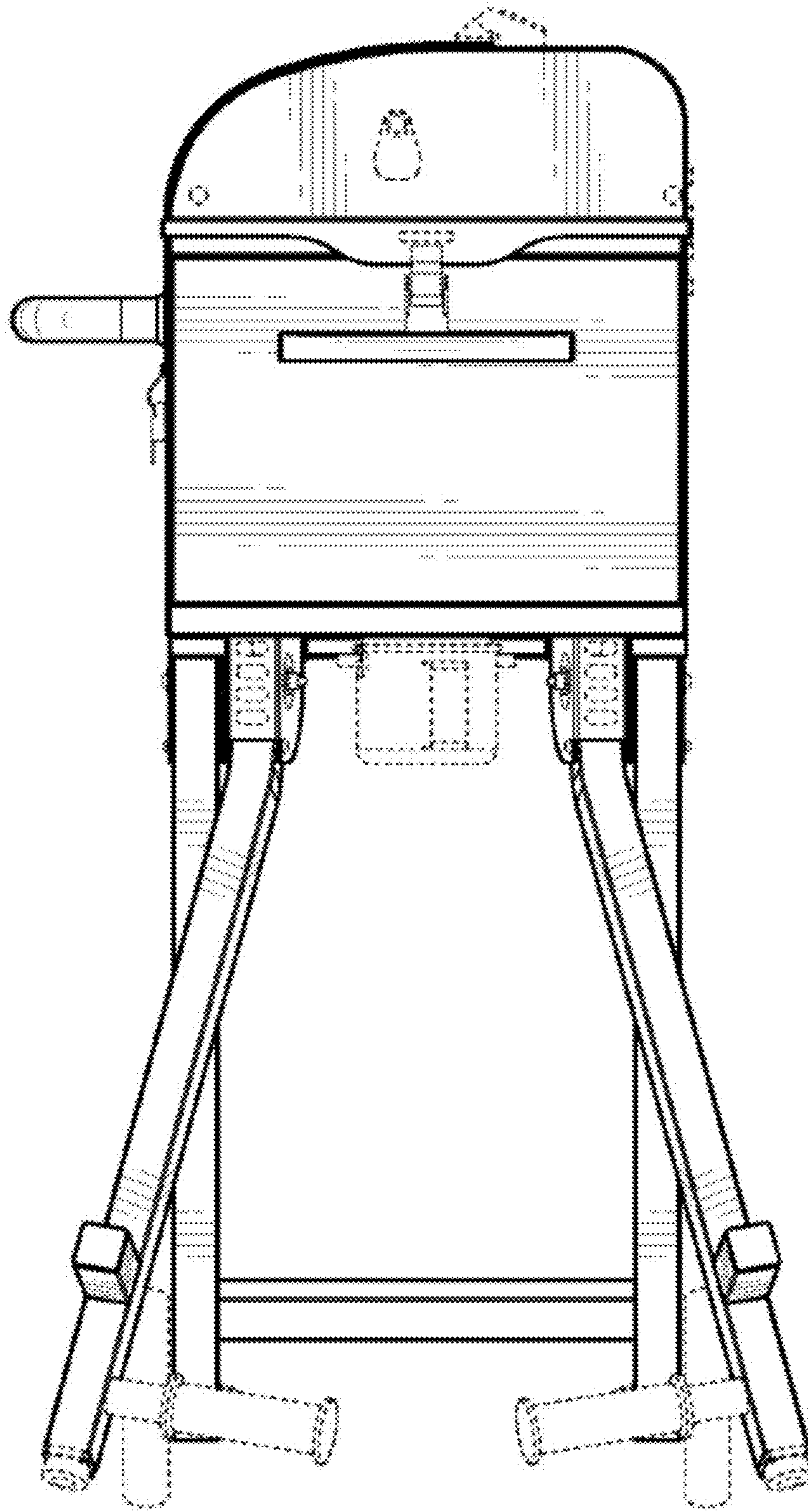


FIG. 6

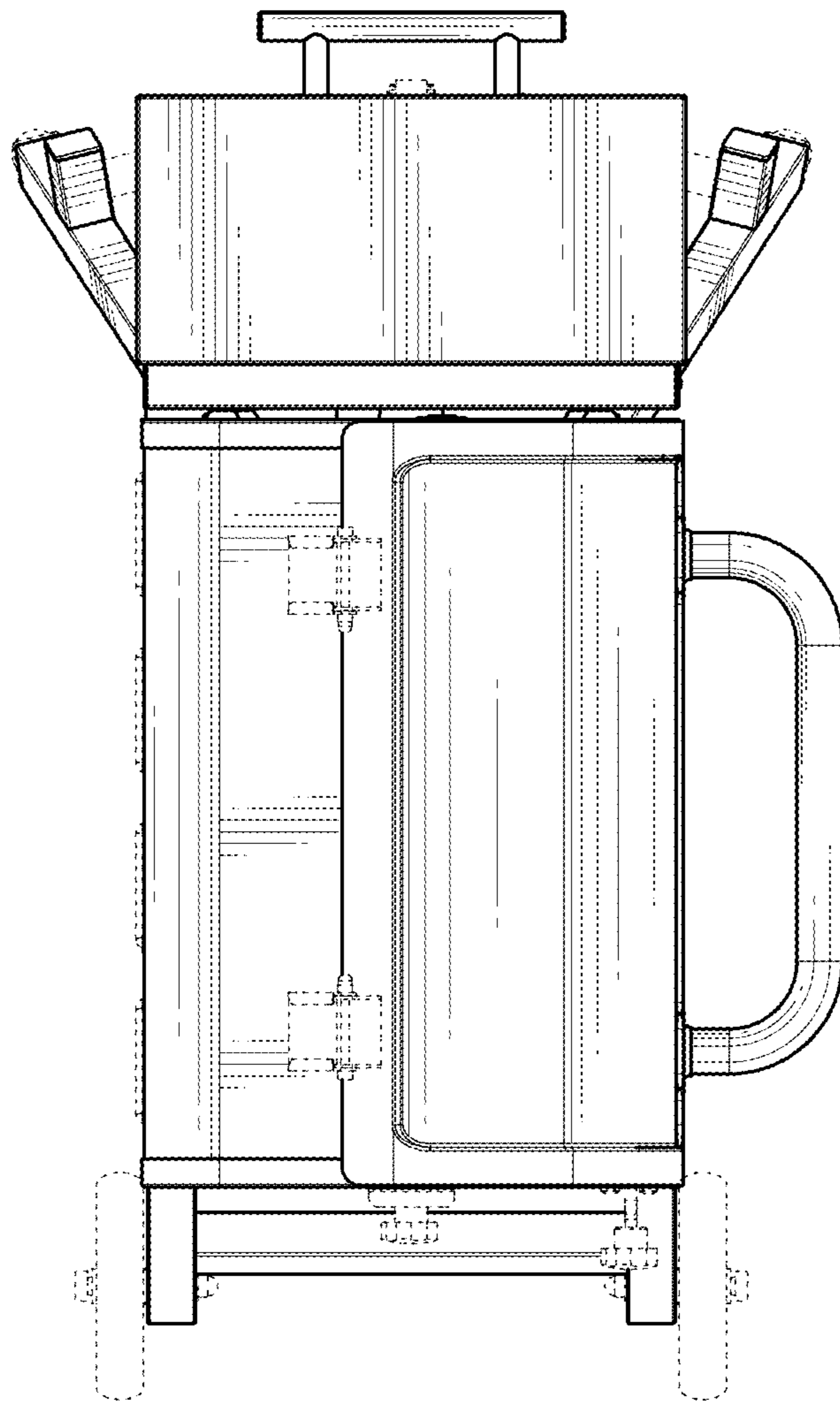


FIG. 7

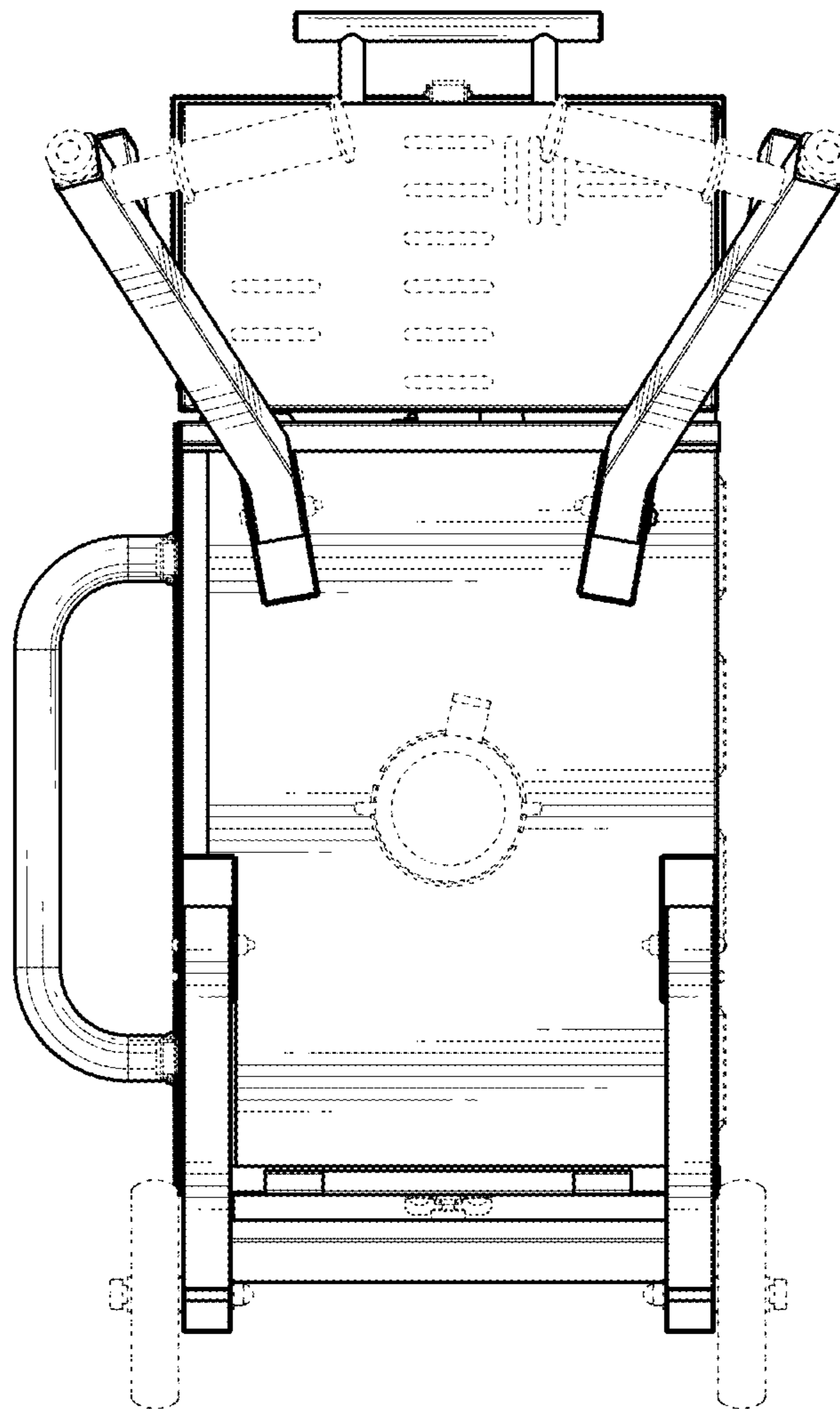


FIG. 8

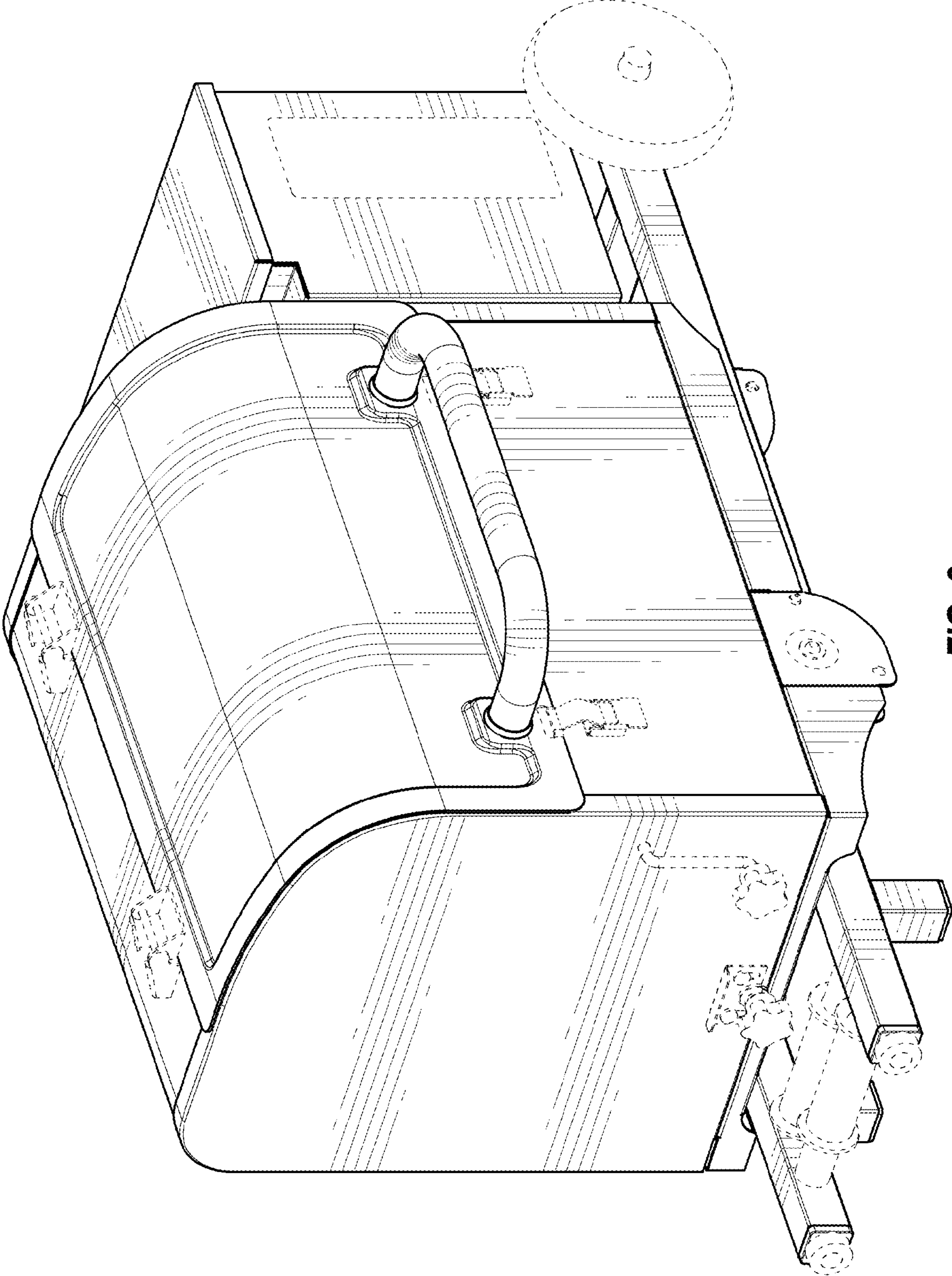


FIG. 9