

US00D896560S

(12) **United States Design Patent** (10) **Patent No.:** **US D896,560 S**
Donati (45) **Date of Patent:** **** Sep. 22, 2020**

(54) **SEAT MECHANISM**

(71) Applicant: **DONATI S.P.A.**, Rodengo Saiano, Brescia (IT)

(72) Inventor: **Armando Donati**, Brescia (IT)

(73) Assignee: **DONATI S.p.A.**, Brescia (IT)

(**) Term: **15 Years**

(21) Appl. No.: **35/507,089**

(22) Filed: **Dec. 6, 2018**

(80) **Hague Agreement Data**

Int. Filing Date: **Dec. 6, 2018**

Int. Reg. No.: **DM/201892**

Int. Reg. Date: **Dec. 6, 2018**

Int. Reg. Pub. Date: **Jul. 19, 2019**

(30) **Foreign Application Priority Data**

Jun. 13, 2018 (EM) DM/101807

(51) **LOC (12) Cl.** **06-06**

(52) **U.S. Cl.**
USPC **D6/716.7**

(58) **Field of Classification Search**

USPC D6/364-367, 706, 716.7

CPC A47C 1/00; A47C 1/026; A47C 1/031;
A47C 3/00; A47C 3/20; A47C 3/24;
A47C 3/30; A47C 7/00; A47C 7/004;
A47C 7/02; A47C 7/46; A47C 7/462;
A47C 7/56

See application file for complete search history.

(56) **References Cited**

U.S. PATENT DOCUMENTS

| | | | | |
|----------------|---------|----------|-------|------------------------|
| D432,338 S * | 10/2000 | Matern | | D6/716.7 |
| 6,199,952 B1 * | 3/2001 | Davis | | A47C 3/30 297/300.4 |
| D447,652 S * | 9/2001 | Beggs | | D6/716.7 |
| D461,074 S * | 8/2002 | Matern | | D6/716.7 |
| D464,831 S * | 10/2002 | Patton | | D6/716.7 |
| D549,016 S * | 8/2007 | Donati | | D6/716.7 |
| D557,946 S * | 12/2007 | Matern | | D6/716.7 |
| D578,326 S * | 10/2008 | Donati | | D6/716.7 |
| D599,586 S * | 9/2009 | Moreschi | | D6/716.7 |
| D647,733 S * | 11/2011 | Donati | | A47C 3/30 D6/716.7 |

* cited by examiner

Primary Examiner — Mary Ann Calabrese

(74) *Attorney, Agent, or Firm* — Thomas I Horstemeyer, LLP

(57) **CLAIM**

The ornamental design for seat mechanism, as shown and described.

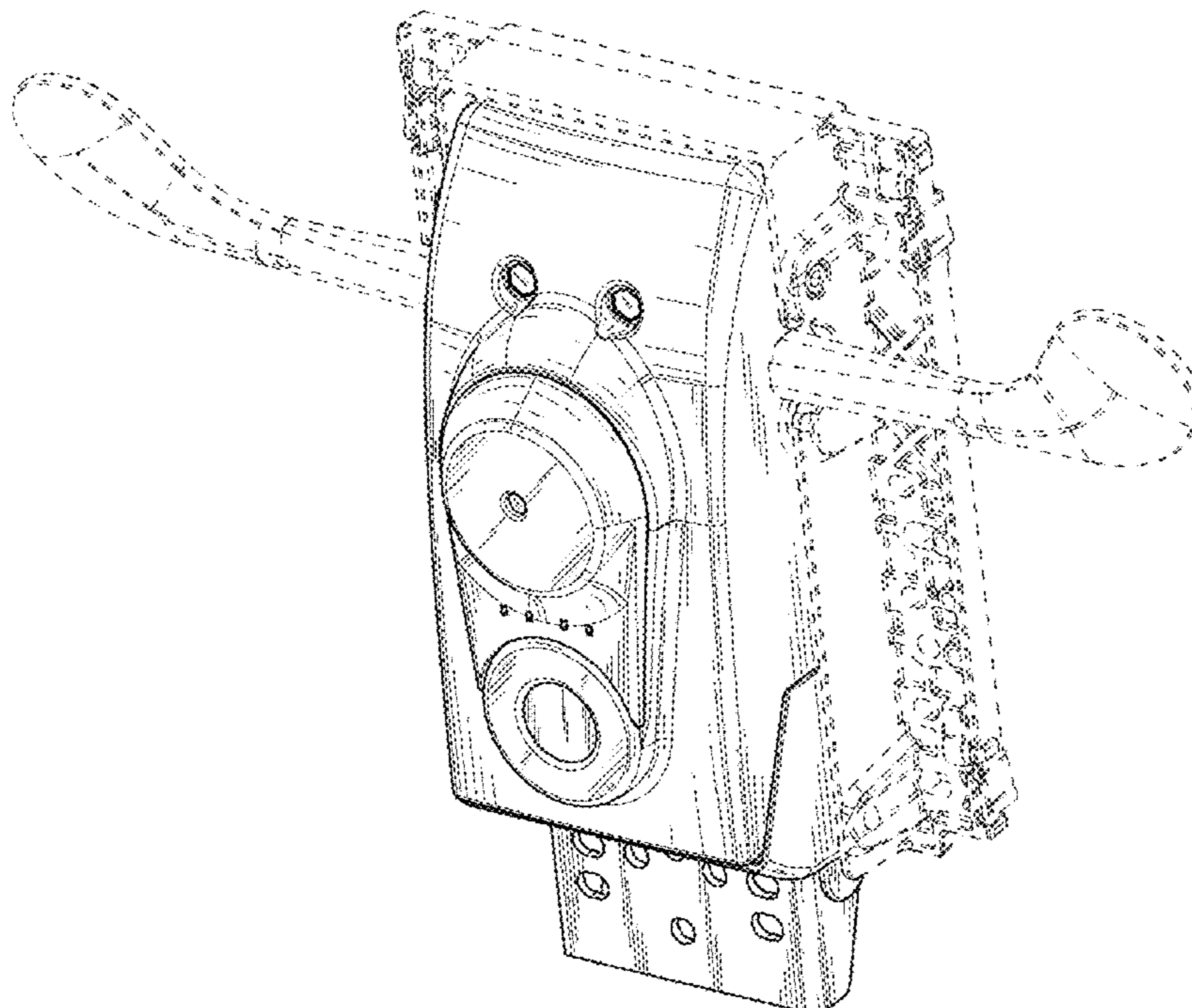
DESCRIPTION

1. Seat mechanism

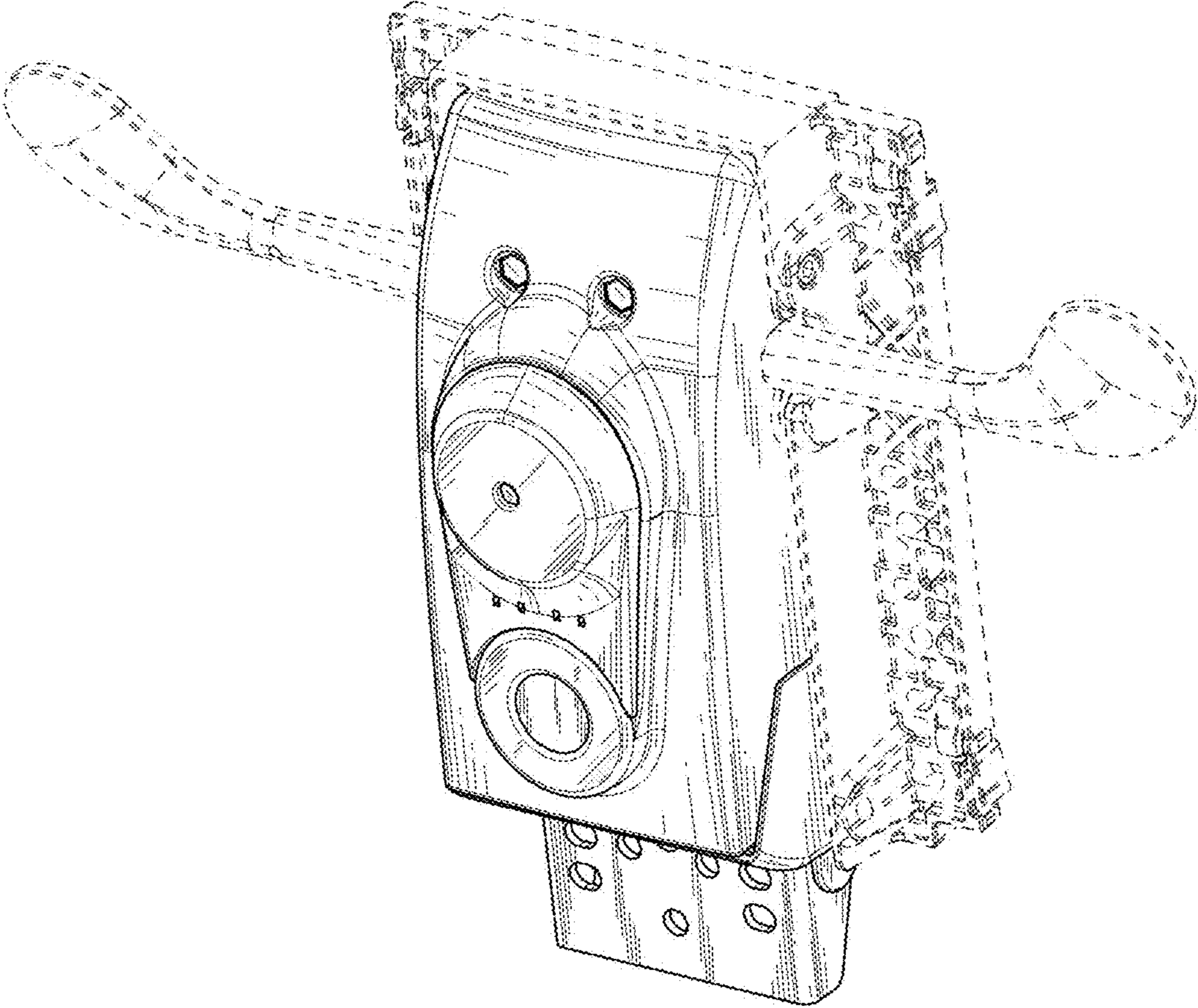
The model is a mechanism for a chair or an armchair; **1.1** is a bottom perspective view; **1.2** is a front perspective view; **1.3** is a top perspective view; **1.4** is a right side view; **1.5** is a left side view; **1.6** is a front view; **1.7** is a rear view; **1.8** is a bottom plan view.

In the drawings, the broken lines illustrate portions of the seat mechanism that form no part of the claimed design.

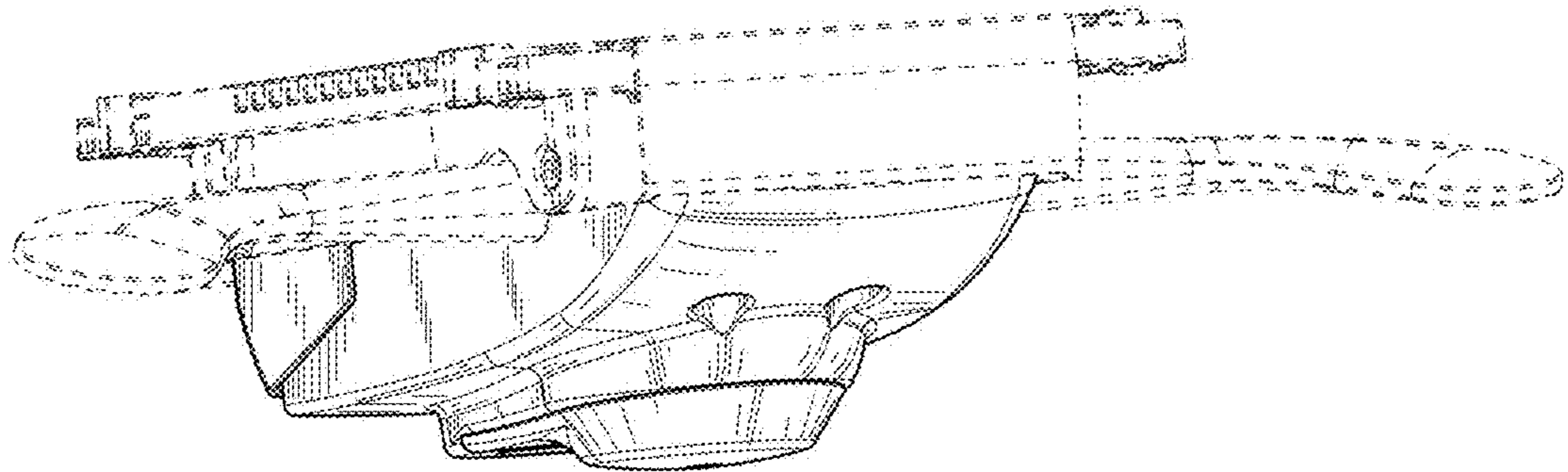
1 Claim, 8 Drawing Sheets



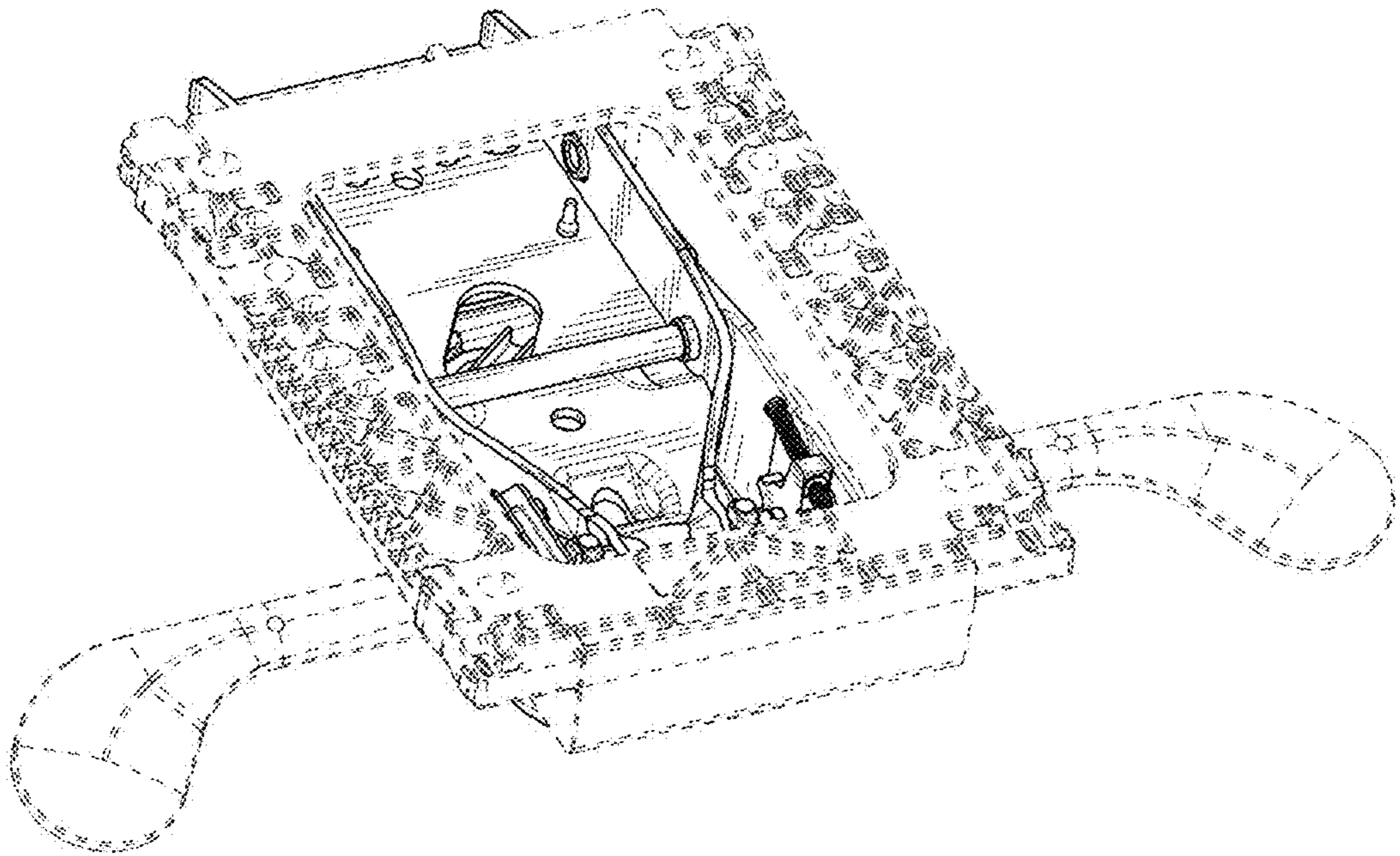
1.1



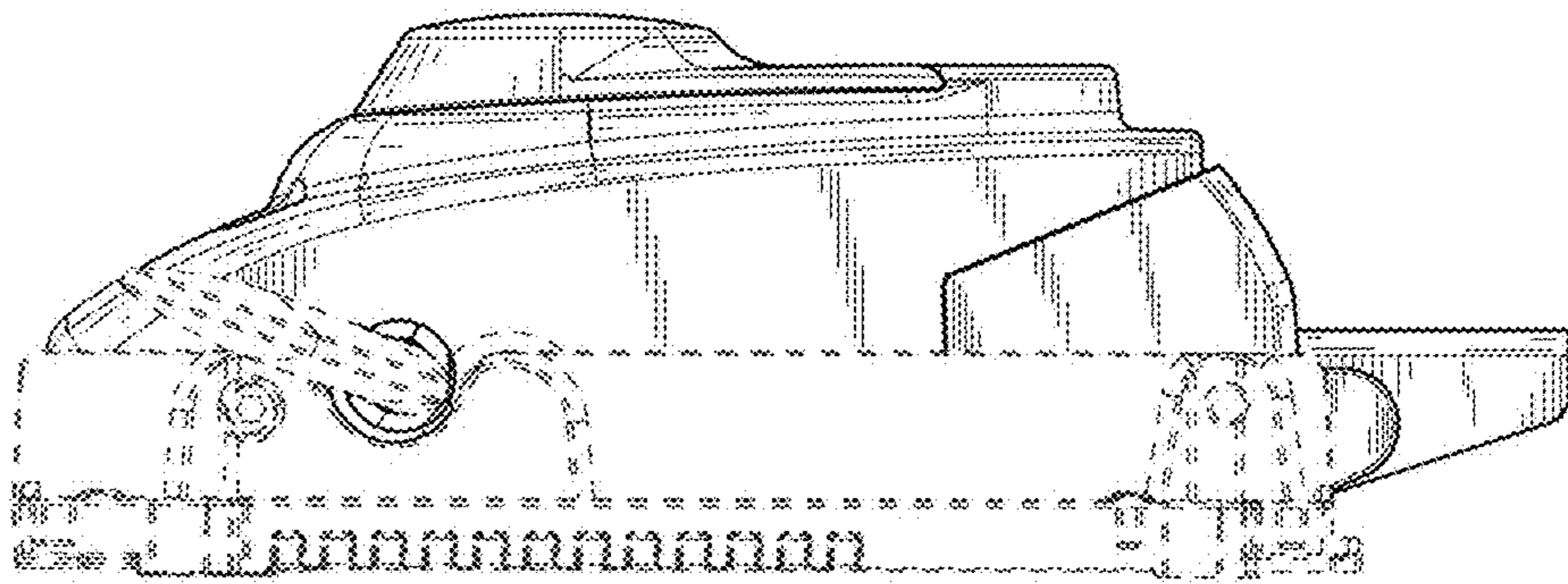
1.2



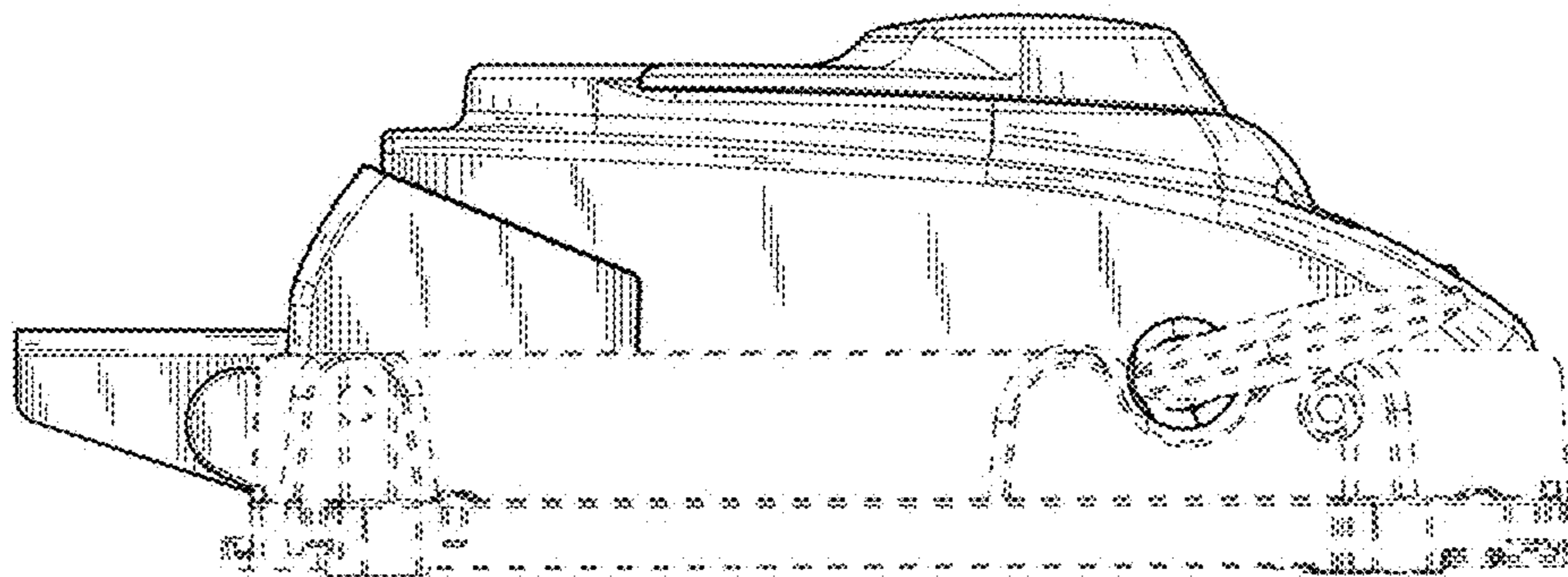
1.3



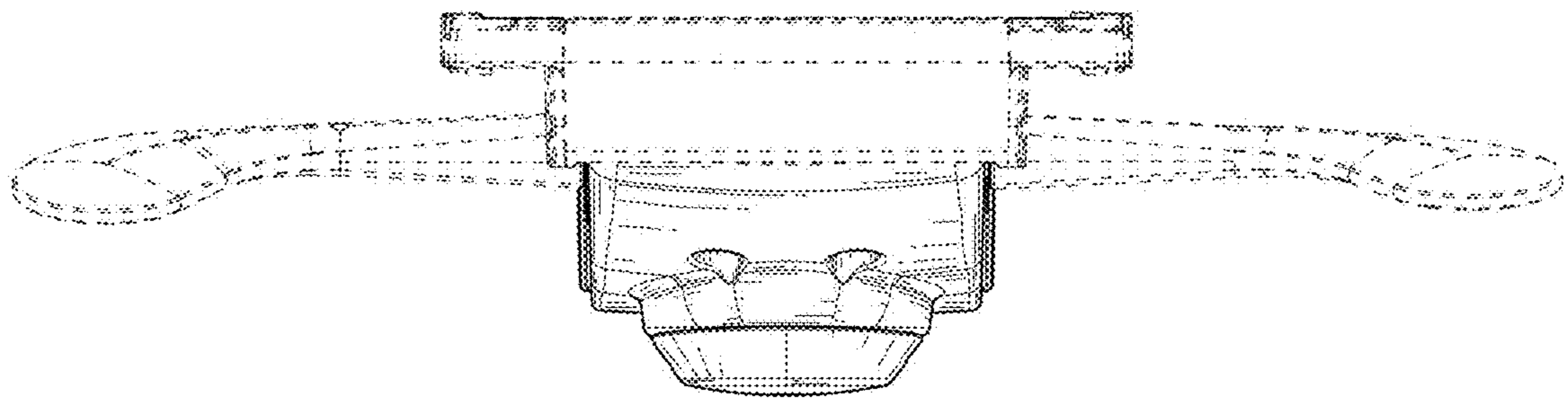
1.4



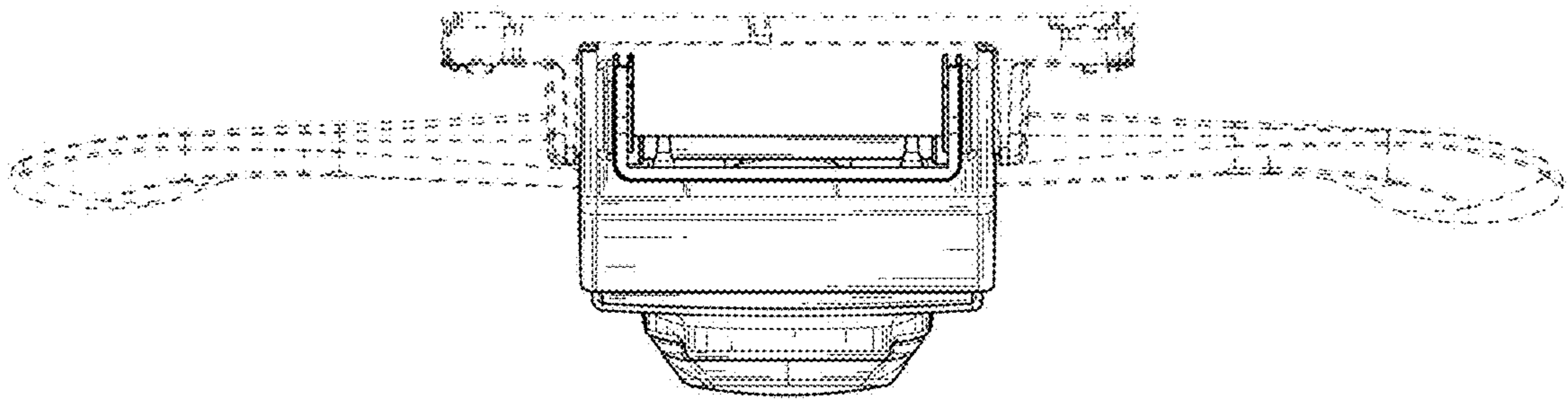
1.5



1.6



1.7



1.8

