



US00D896559S

(12) **United States Design Patent** (10) **Patent No.:** **US D896,559 S**
Rottet et al. (45) **Date of Patent:** **** Sep. 22, 2020**

(54) **ARMREST FOR AN ARTICLE OF FURNITURE**

(71) Applicant: **Haworth, Inc.**, Holland, MI (US)

(72) Inventors: **Lauren Rottet**, Houston, TX (US); **Arne Dassen**, Holland, MI (US); **Mark J. Sherman**, Zeeland, MI (US)

(73) Assignee: **Haworth, Inc.**, Holland, MI (US)

(**) Term: **15 Years**

(21) Appl. No.: **29/691,649**

(22) Filed: **May 17, 2019**

(51) **LOC (12) Cl.** **06-06**

(52) **U.S. Cl.**
 USPC **D6/716.2; D6/336**

(58) **Field of Classification Search**
 USPC **D6/334, 335, 336, 367, 381, 716.2**
 CPC .. **A47C 7/24; A47C 7/54; A47C 7/541; A47C 7/546; A47C 17/00; A47C 17/02; A47C 17/04; A47C 17/86**
 See application file for complete search history.

D798,072 S * 9/2017 Massaud D6/334
 D874,176 S * 2/2020 Williams, Jr. D6/381

* cited by examiner

Primary Examiner — Cathron C Brooks
 (74) *Attorney, Agent, or Firm* — Warner Norcross + Judd LLP

(57) **CLAIM**
 The ornamental design for an armrest for an article of furniture, as shown and described.

DESCRIPTION

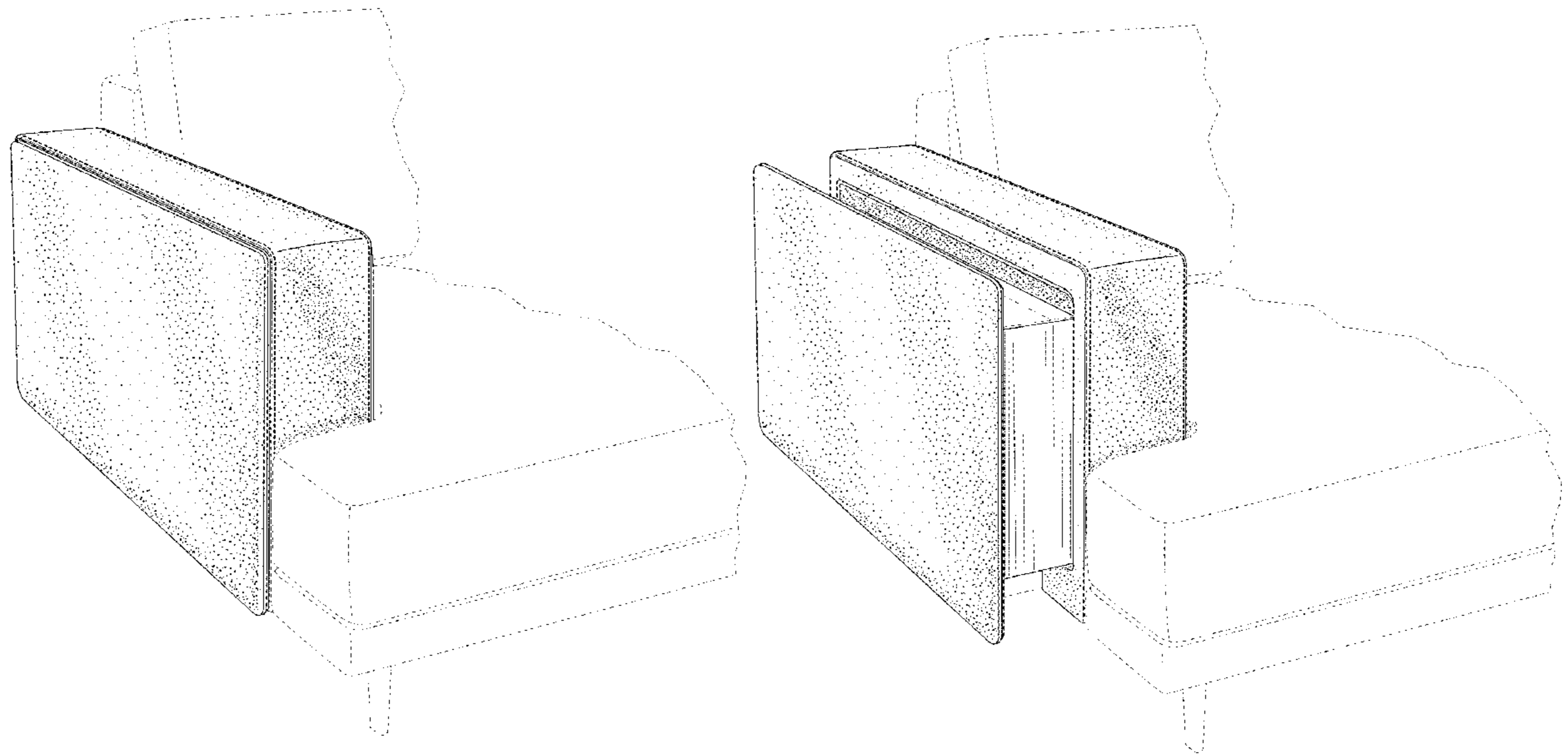
FIG. 1 is a front perspective view of an armrest for an article of furniture embodying the new design, wherein the armrest is in a closed position;
 FIG. 2 is a side perspective view thereof;
 FIG. 3 is a front view thereof;
 FIG. 4 is a rear view thereof;
 FIG. 5 is a right side view thereof;
 FIG. 6 is a left side view thereof;
 FIG. 7 is a top view thereof;
 FIG. 8 is a bottom view thereof;
 FIG. 9 is a front perspective view of the armrest for an article of furniture, wherein the armrest is in an open position;
 FIG. 10 is a side perspective view thereof;
 FIG. 11 is a front view thereof;
 FIG. 12 is a rear view thereof;
 FIG. 13 is a right side view thereof;
 FIG. 14 is a left side view thereof;
 FIG. 15 is a top view thereof; and
 FIG. 16 is a bottom view thereof.
 FIGS. 1-16 show portions of an article of furniture in broken lines. The portions shown in broken lines are for environmental purposes only and form no part of the claimed design. Stipple shading is added to convey surface contouring; the stipple shading is not to be understood as conveying a particular surface finish.

(56) **References Cited**

U.S. PATENT DOCUMENTS

D170,665 S *	10/1953	Spence	D6/381
D424,316 S *	5/2000	Natuzzi	D6/334
D499,263 S *	12/2004	Ricci	D6/334
D505,276 S *	5/2005	Cronk	D6/334
D511,415 S *	11/2005	Pesso	D6/334
D518,654 S *	4/2006	Pesso	D6/334
D635,792 S *	4/2011	Kanthasamy	D6/381
D645,667 S *	9/2011	Alberda	D6/334

1 Claim, 10 Drawing Sheets



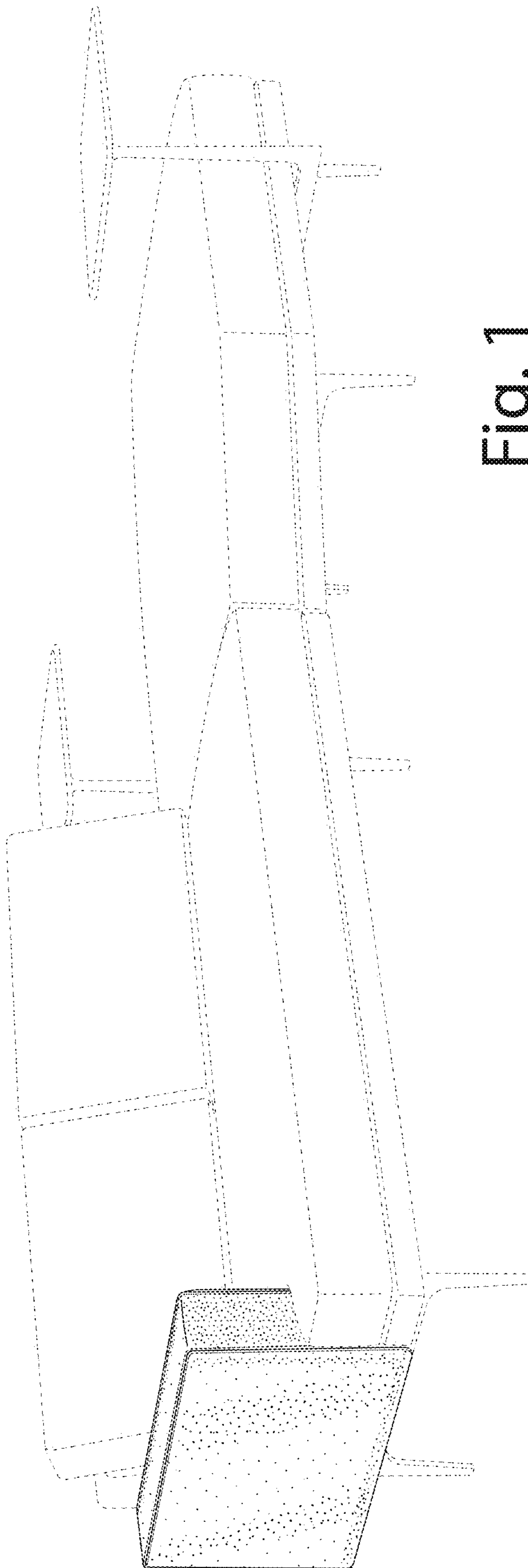


Fig. 1

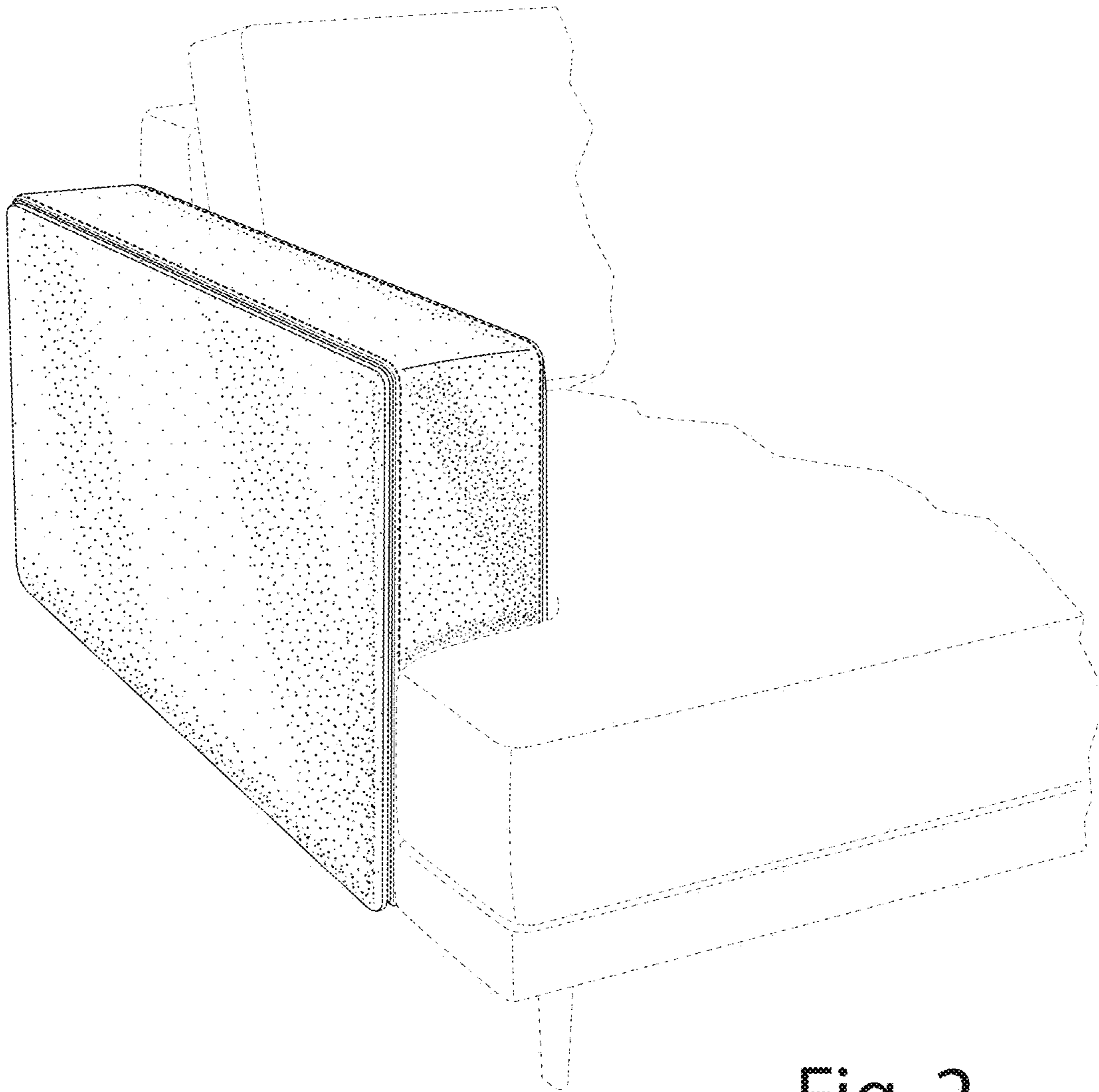


Fig. 2

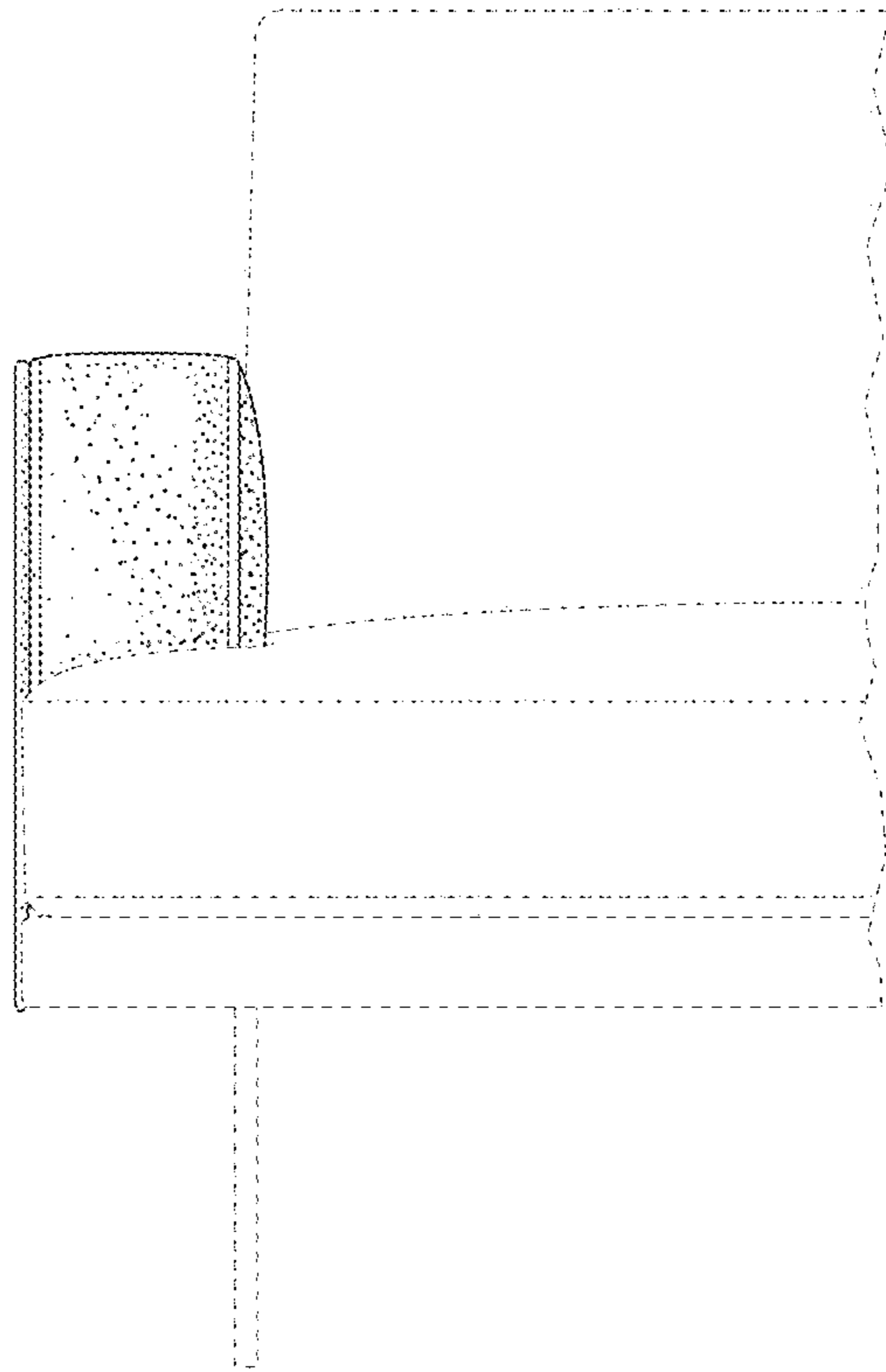


Fig. 3

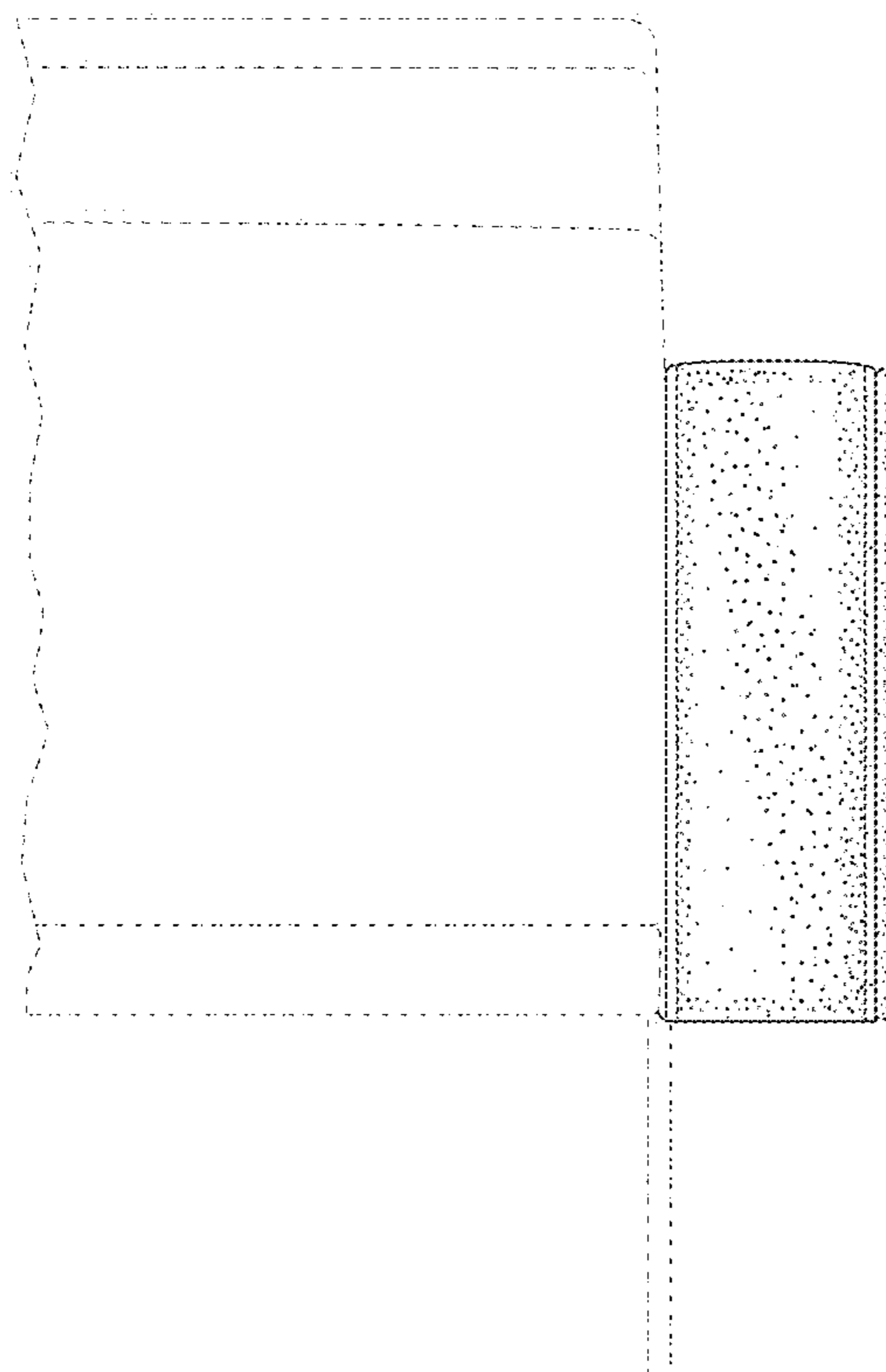


Fig. 4

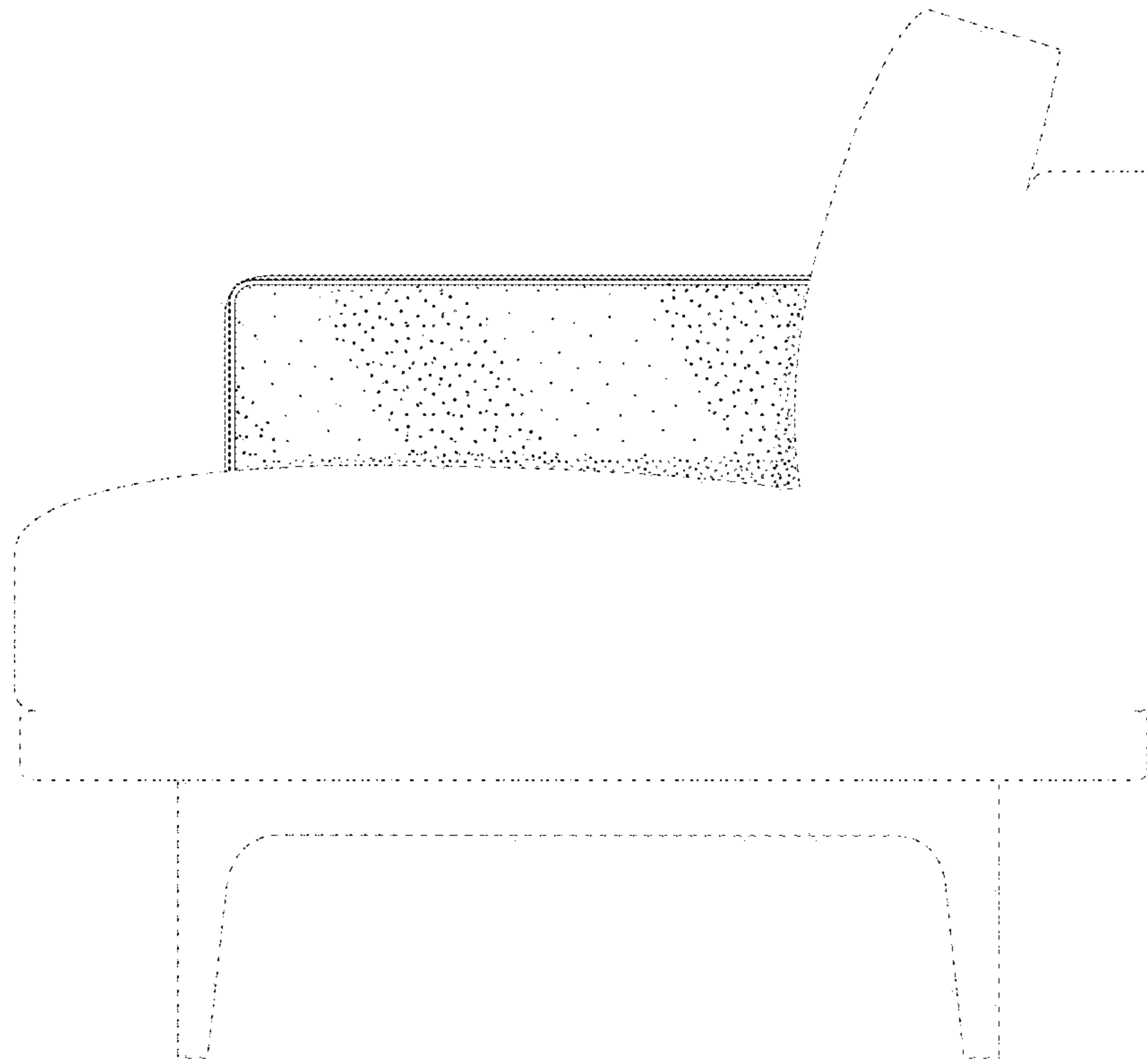


Fig. 5

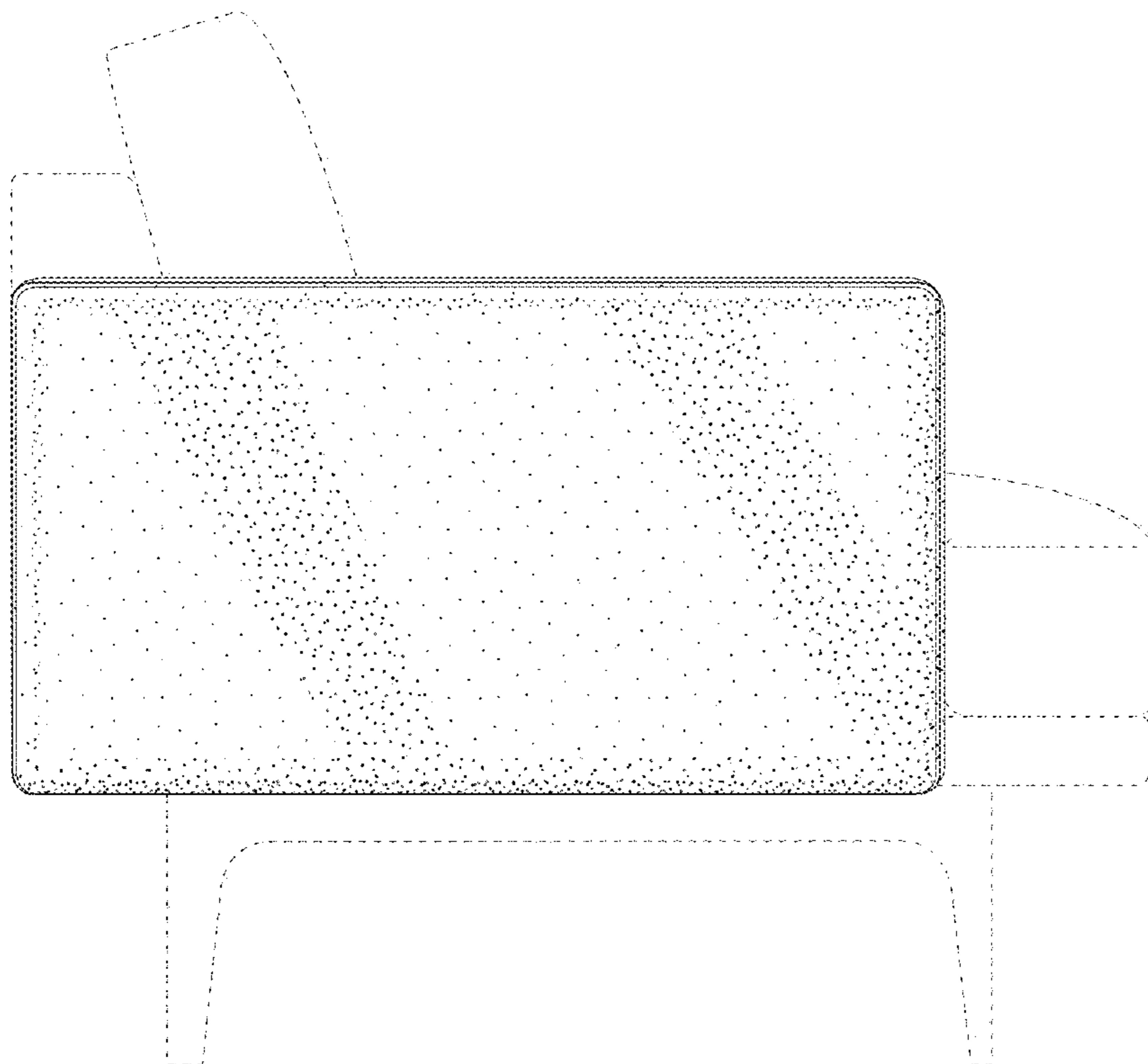


Fig. 6

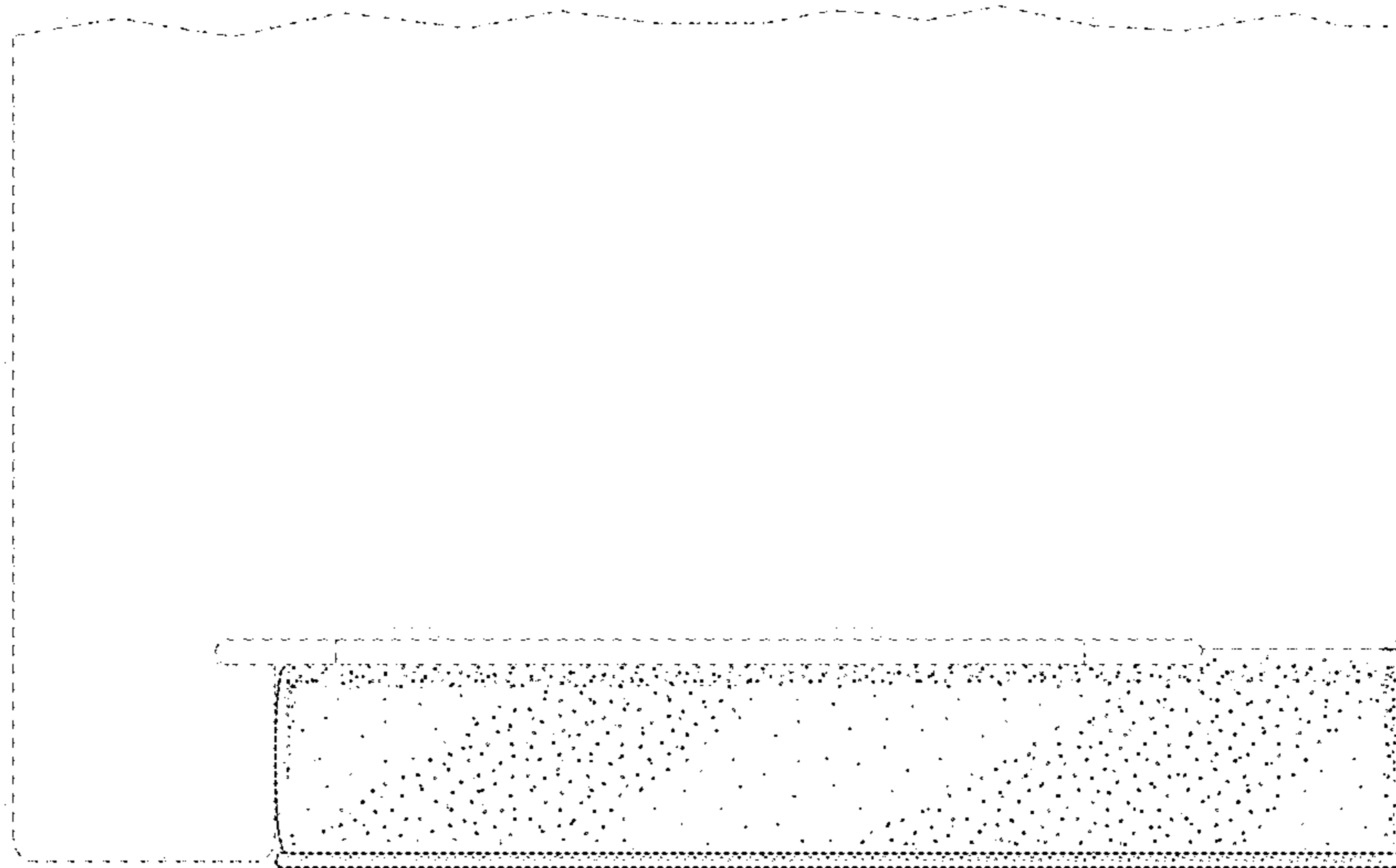


Fig. 8

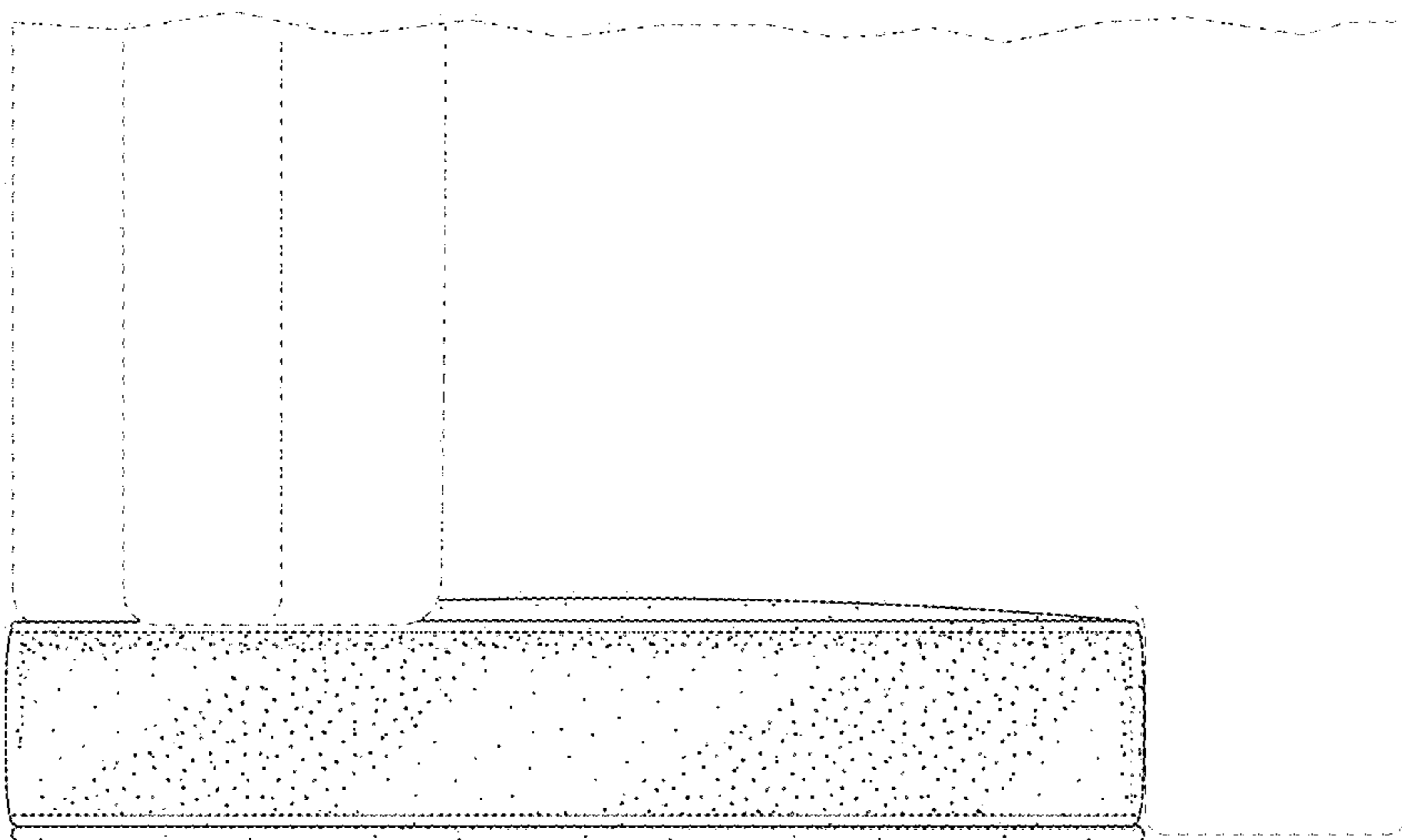


Fig. 7

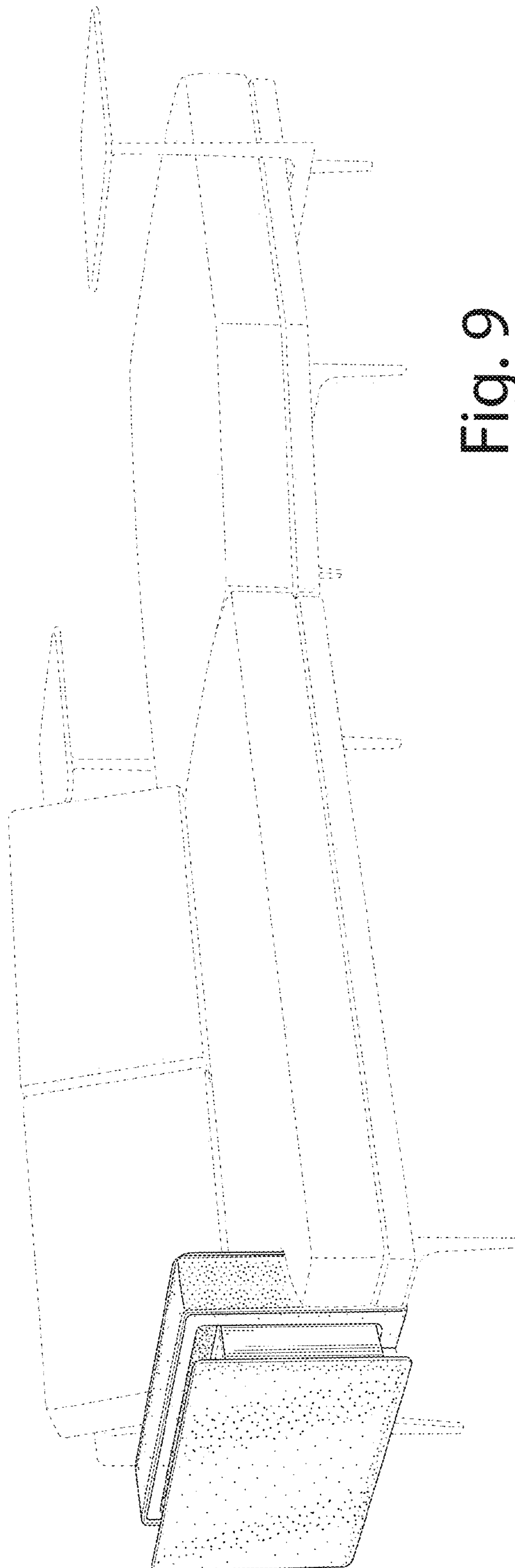


Fig. 9

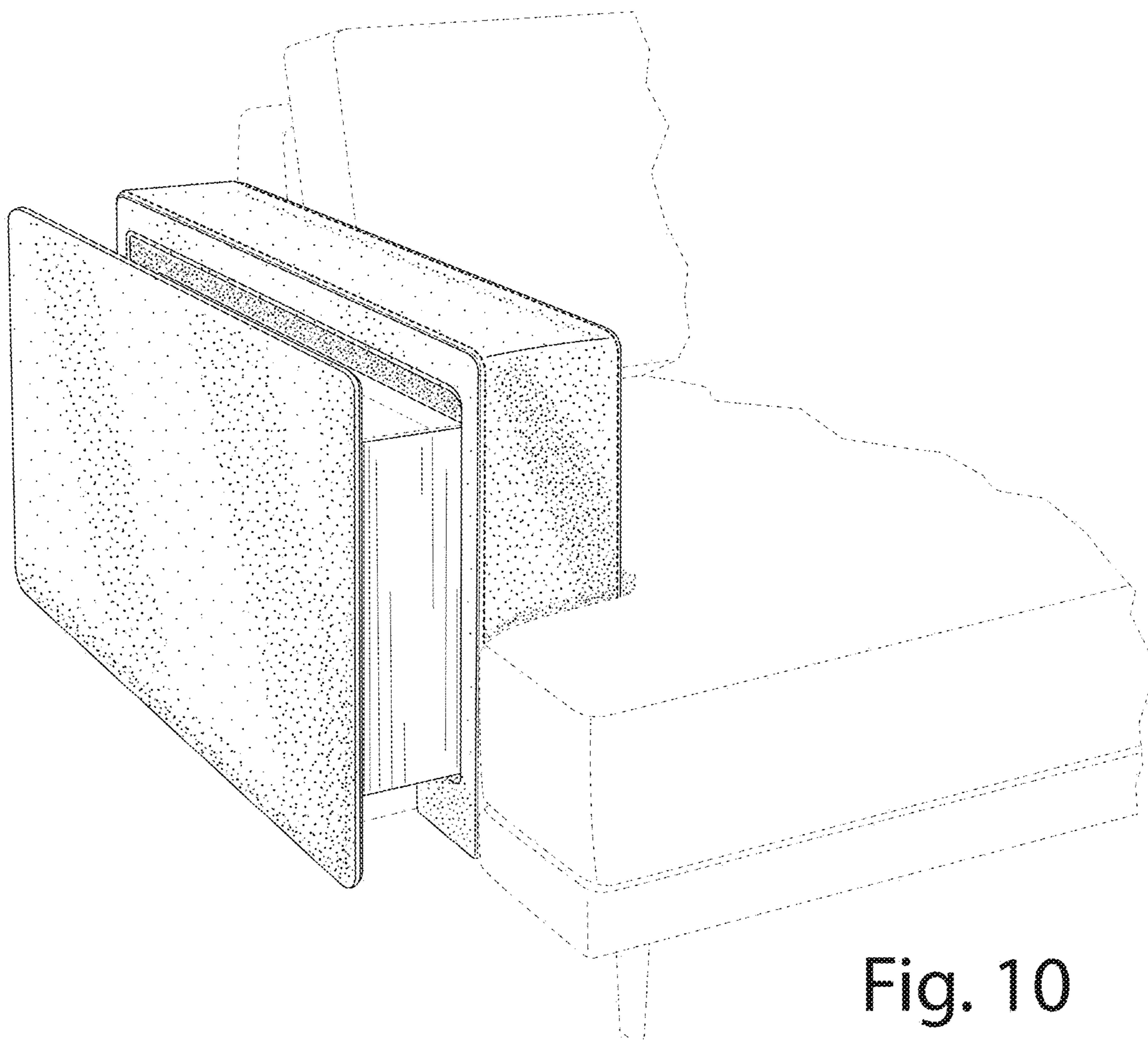


Fig. 10

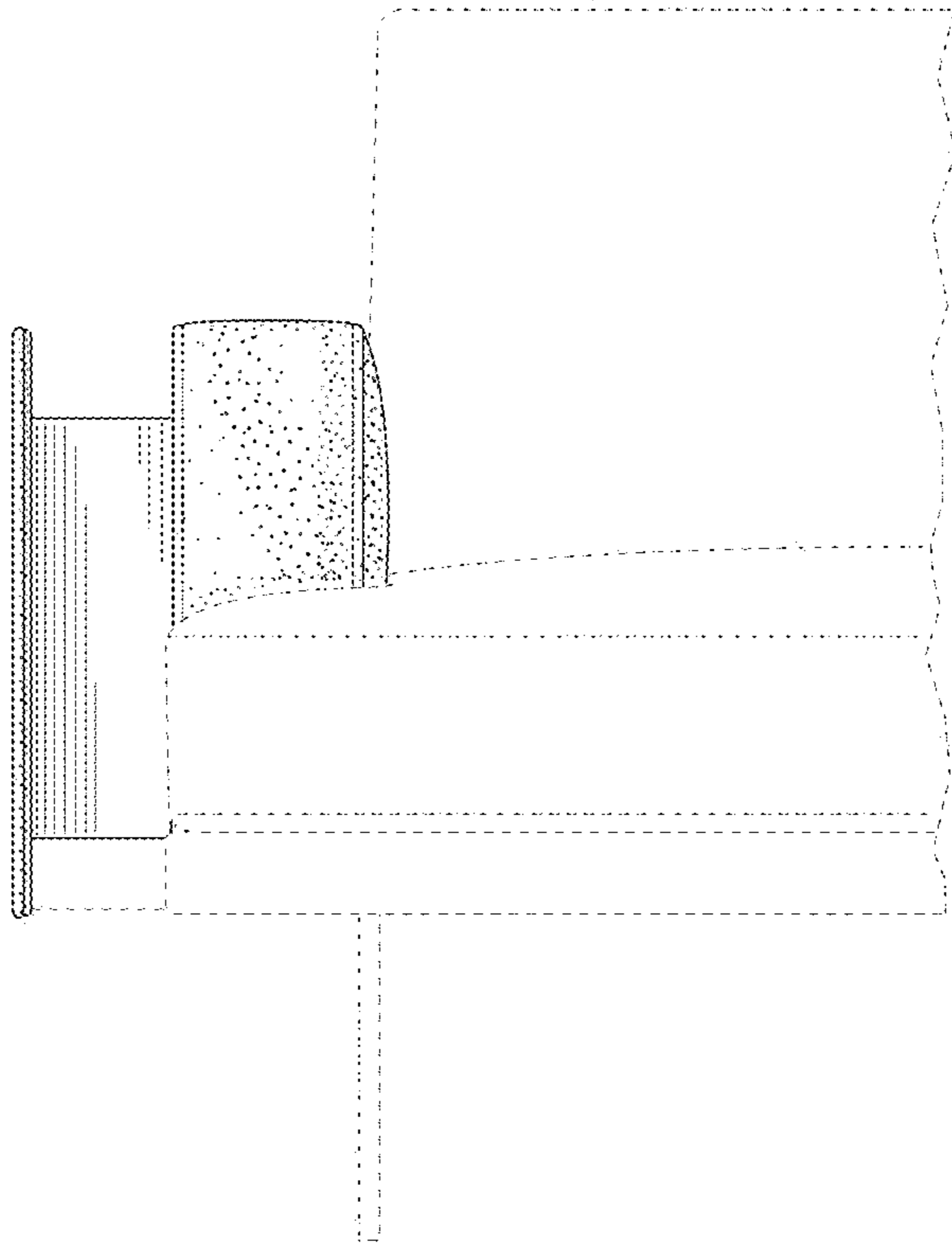


Fig. 11

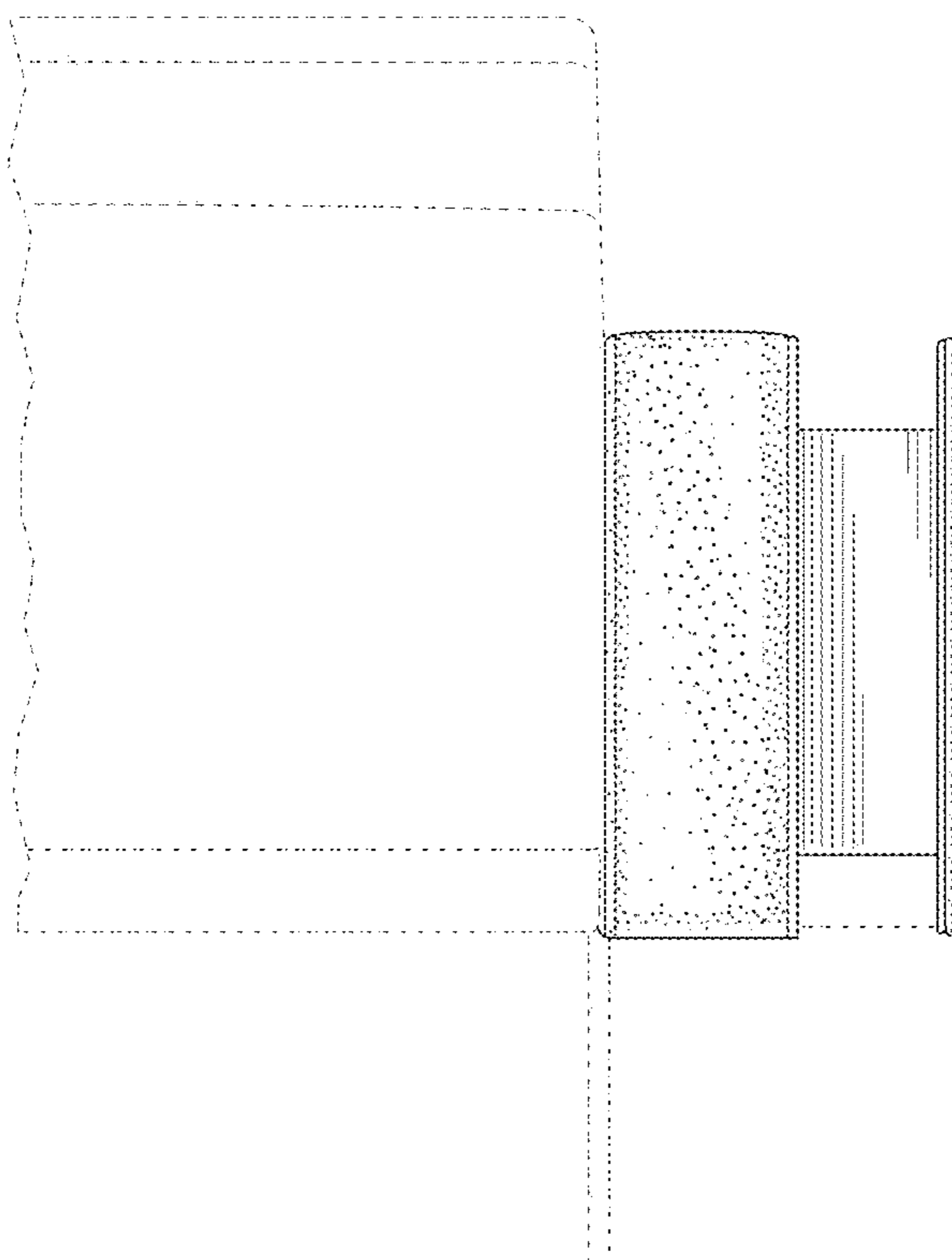


Fig. 12

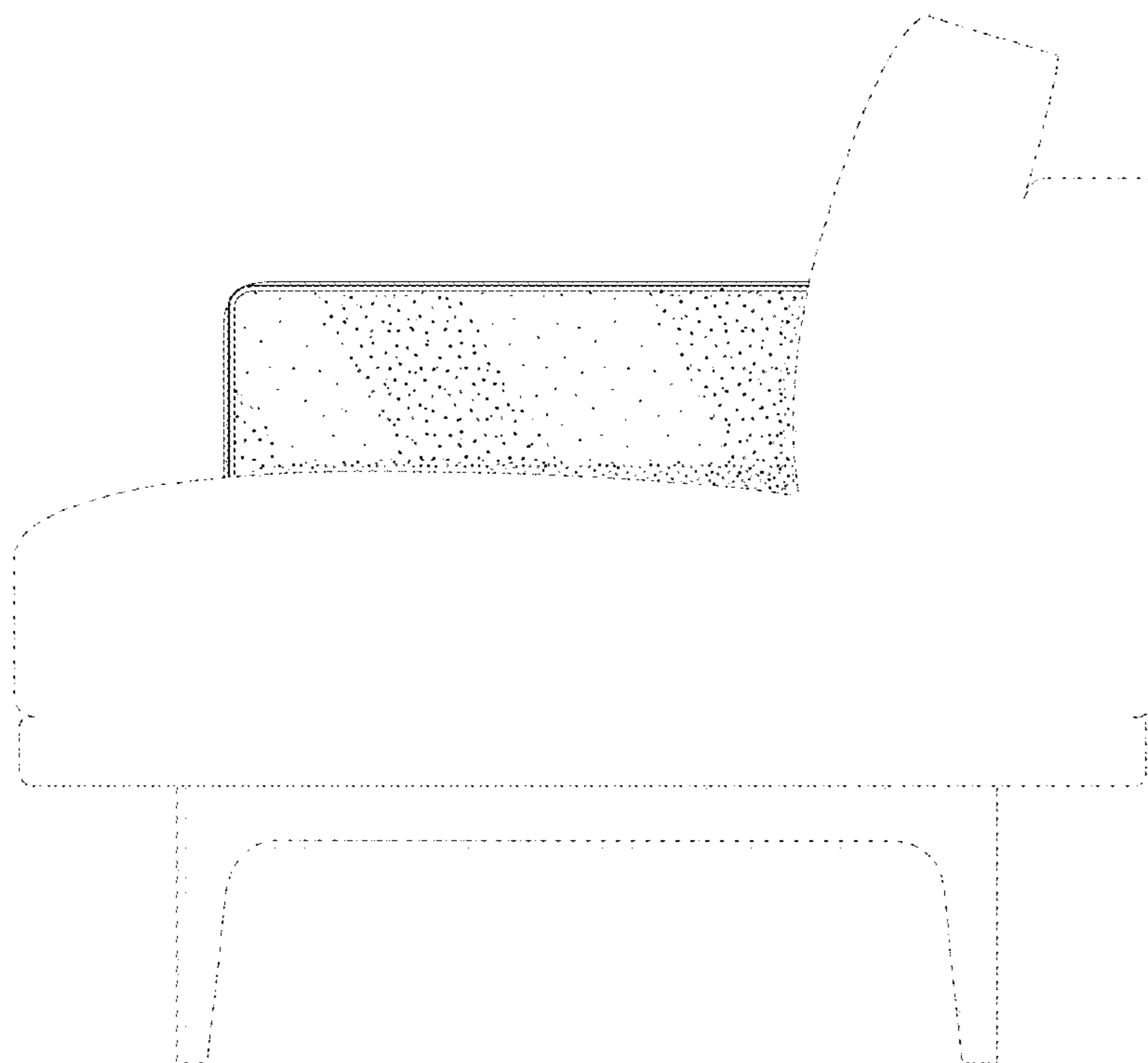


Fig. 13

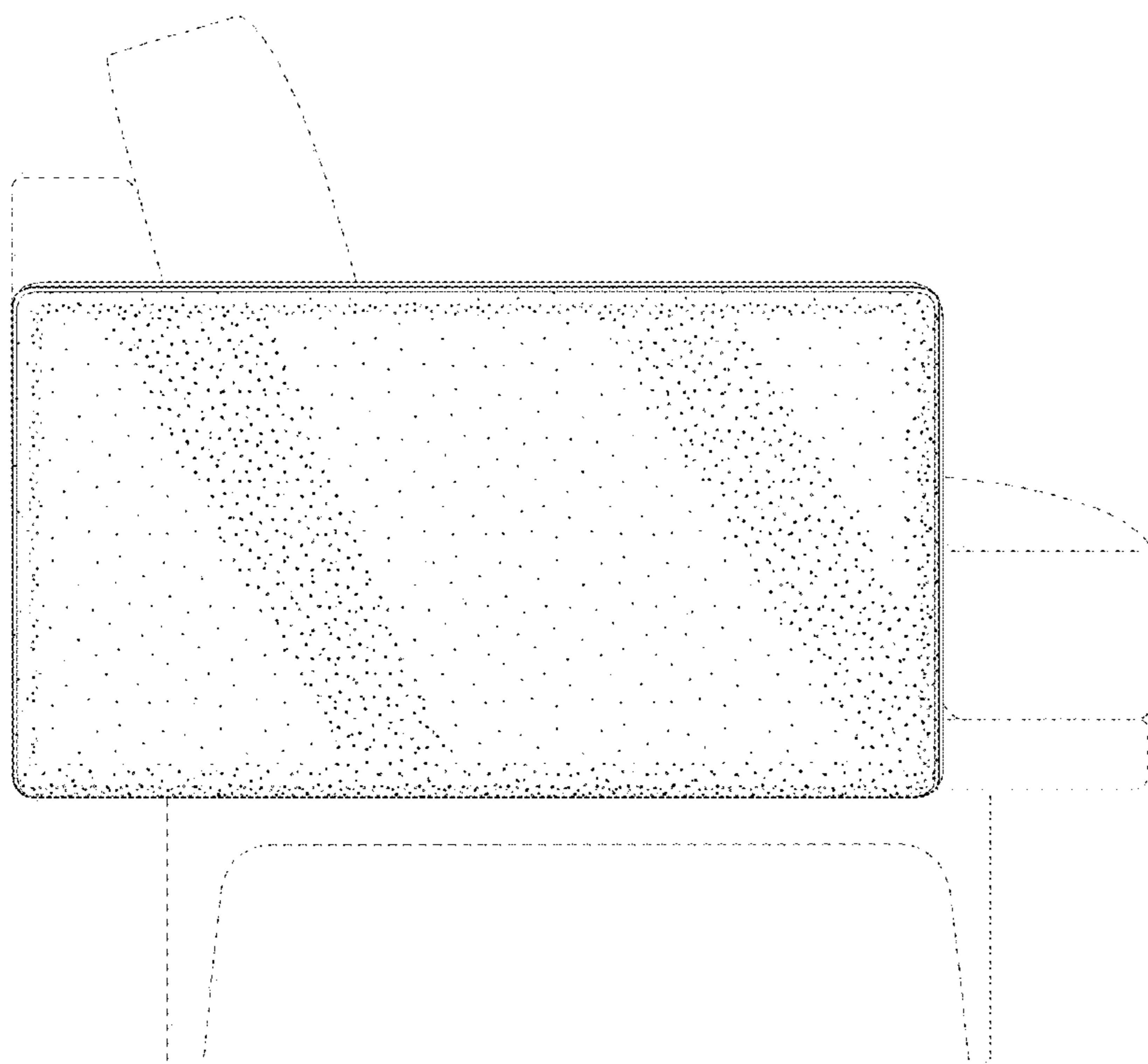


Fig. 14

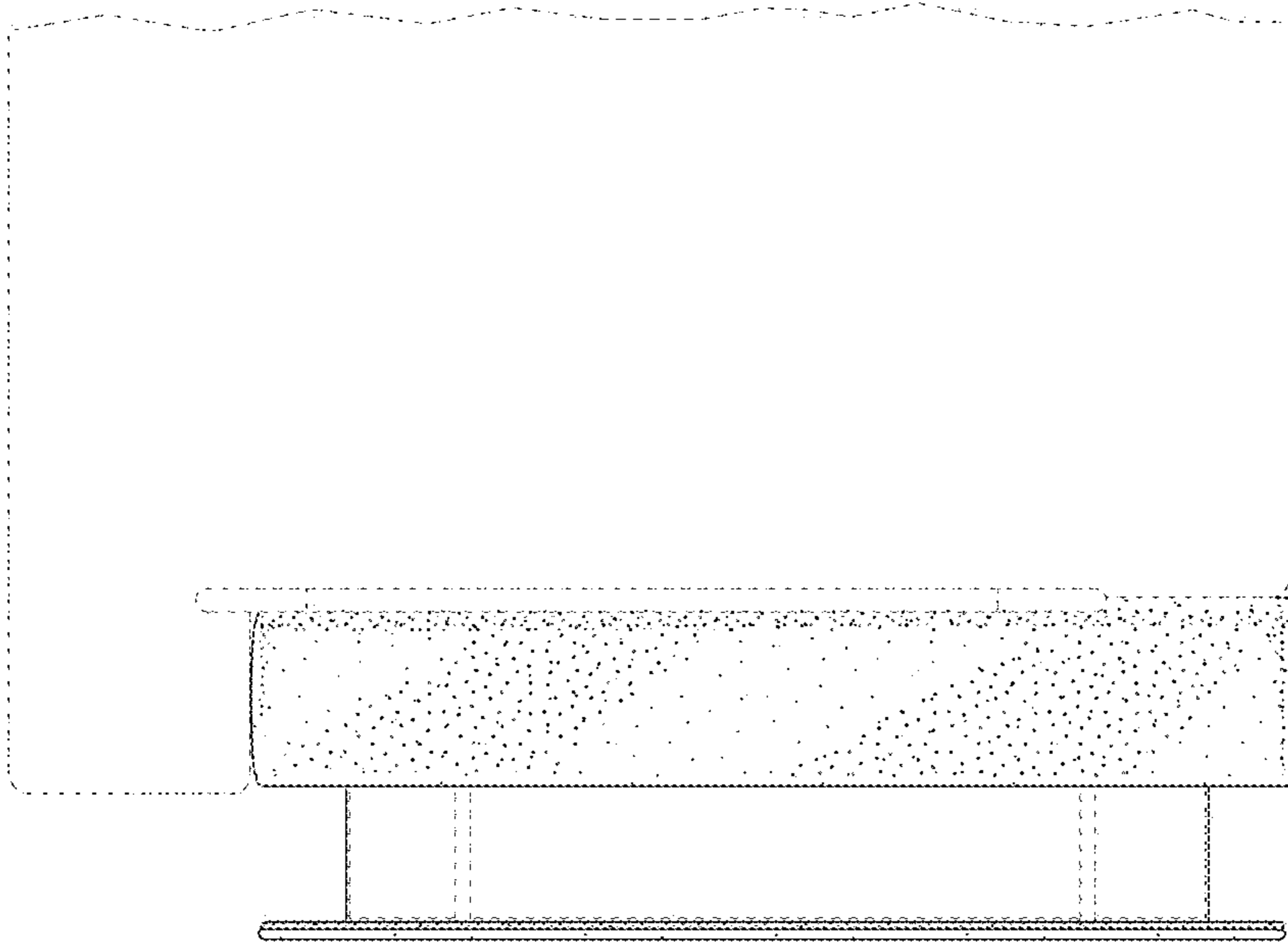


Fig. 15

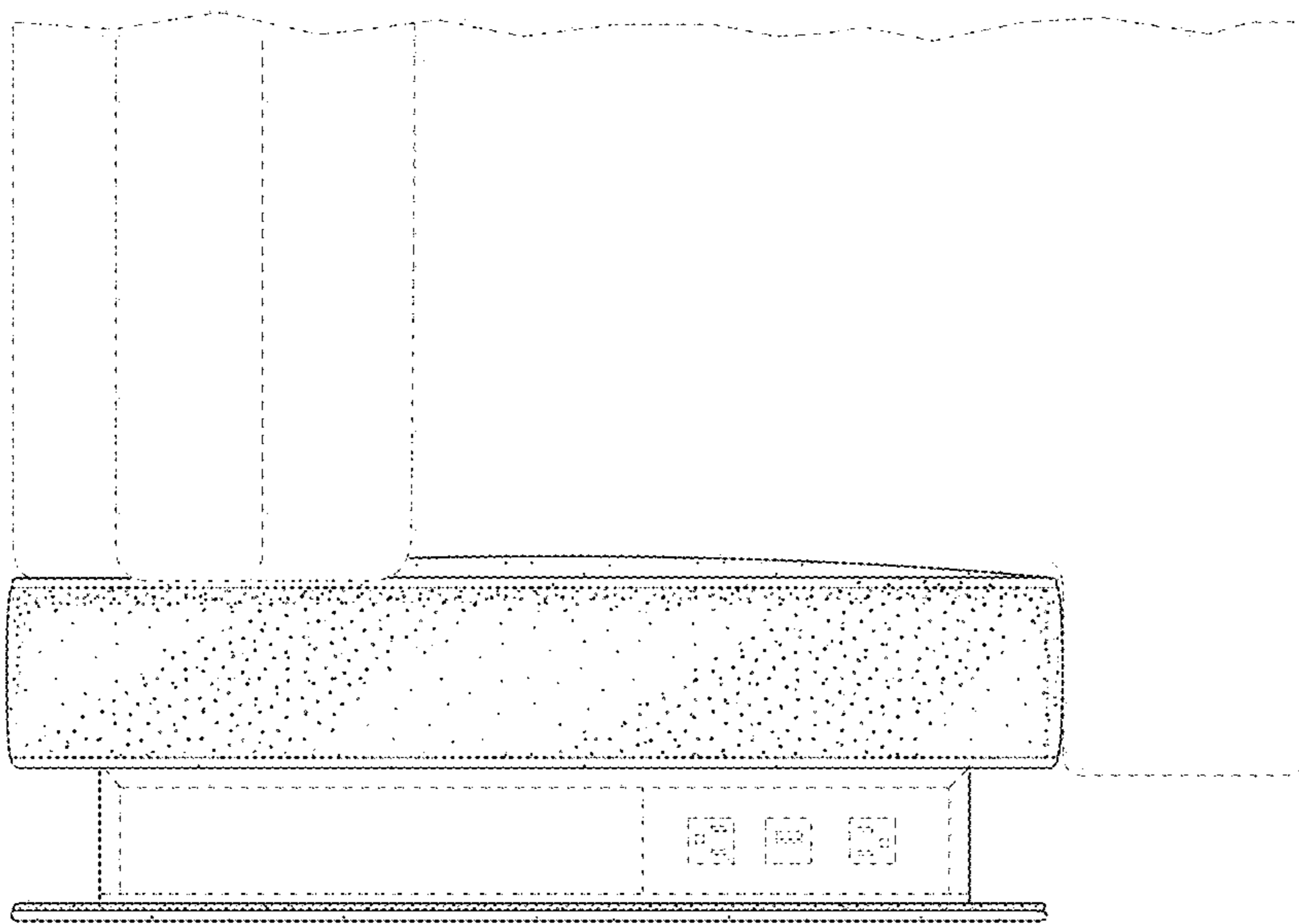


Fig. 16