

US00D896555S

(12) **United States Design Patent** (10) **Patent No.:** **US D896,555 S**
Smith (45) **Date of Patent:** **** Sep. 22, 2020**

(54) **TABLE COVER**
(71) Applicant: **Maria Luiza Smith**, Trumbull, CT (US)
(72) Inventor: **Maria Luiza Smith**, Trumbull, CT (US)
(**) Term: **15 Years**
(21) Appl. No.: **29/571,060**
(22) Filed: **Jul. 14, 2016**
(51) **LOC (12) Cl.** **06-13**
(52) **U.S. Cl.**
USPC **D6/612; D6/617**
(58) **Field of Classification Search**
USPC D6/595, 596, 601, 603, 606, 608, 612, D6/613, 616, 617, 593, 719, 582, 583, D6/587, 594, 578, 579, 581; 428/88, 428/115, 122, 190, 192; D11/169, 170, D11/180; D2/500–508
CPC A47G 9/00; A47G 9/02; A47G 9/0223; A47G 9/0238; A47G 9/0253; A47G 9/06; A47G 9/62; A47G 11/00; A47G 11/003; A47G 11/008; A47G 5/02; A47G 11/004; A47G 11/006; A47G 21/16; A47G 23/0303; A47G 23/032; Y10T 428/2414
See application file for complete search history.

(56) **References Cited**
U.S. PATENT DOCUMENTS
320,130 A * 6/1885 Gould B60J 10/74 428/122
D31,075 S * 6/1899 Kruttschnitt D19/26
1,038,095 A * 9/1912 Davis A41D 27/06 428/190
1,331,995 A * 2/1920 McMullen B43L 3/00 34/89.1
D54,639 S * 3/1920 Litzenberger D11/169
D57,223 S * 3/1921 Gebhardt D11/169

1,445,055 A * 2/1923 Zuck A41D 27/06 428/190
D67,907 S * 7/1925 Shears D19/27
1,666,819 A * 4/1928 Goetze D04B 1/24 66/171
1,710,595 A * 4/1929 Taylor D06N 7/0028 428/67
2,009,750 A * 7/1935 Smith D04D 5/00 428/115
2,051,274 A * 8/1936 Rubens A41D 23/00 2/91
D101,819 S * 11/1936 Miller D19/26
(Continued)

OTHER PUBLICATIONS

Portico PO69 Edamame Area Rug by Colonial Mills | Payless Rugs—Rugs Made in the USA (on-line), dated Oct. 19, 2012. Retrieved from Internet Apr. 1, 2019, URL: <https://web.archive.org/web/20121019200114/https://www.paylessrugs.com/portico-po69-edamame-area-rug-colonial-mills.html> (1 page) (Year: 2012).*
(Continued)

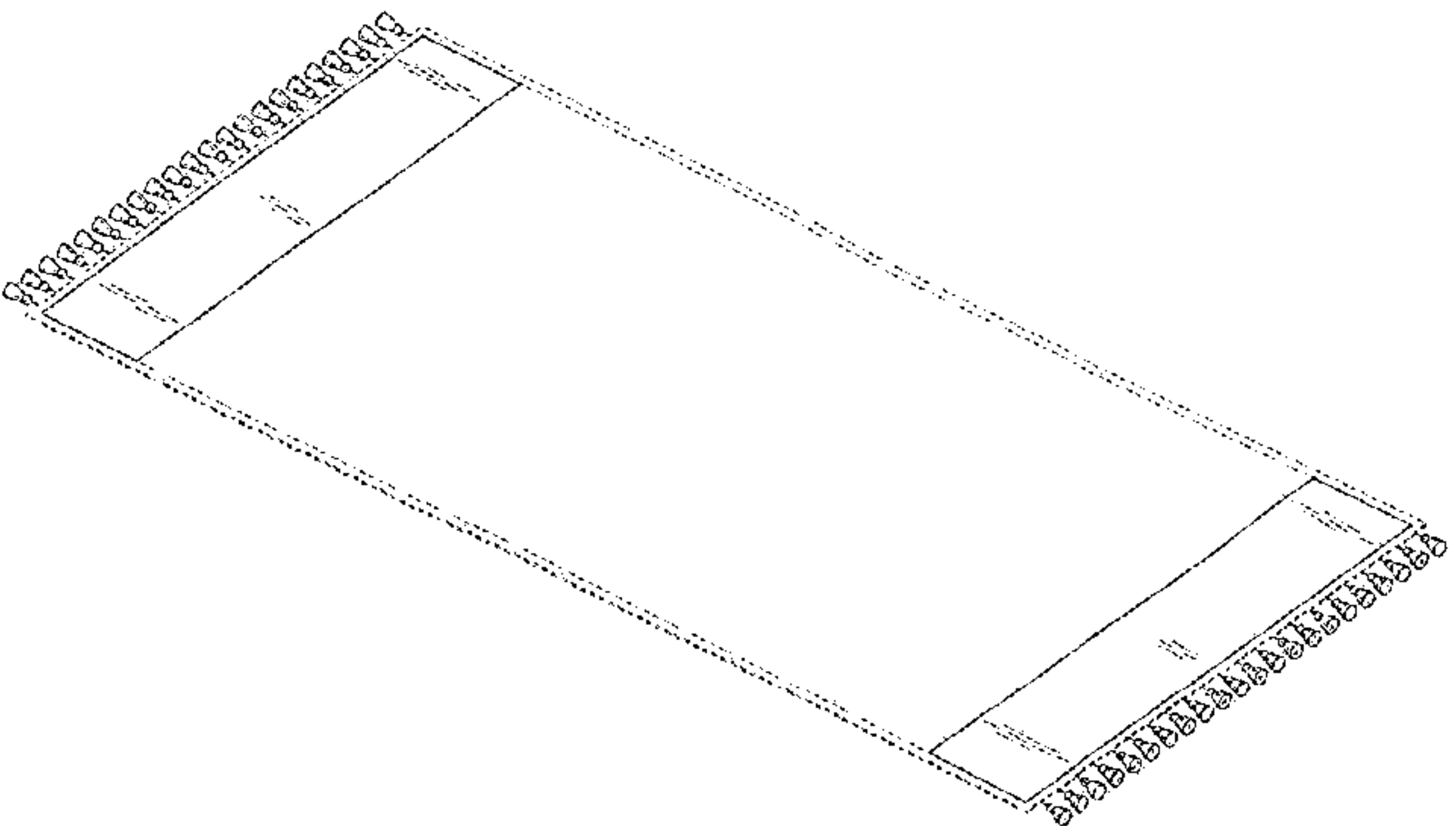
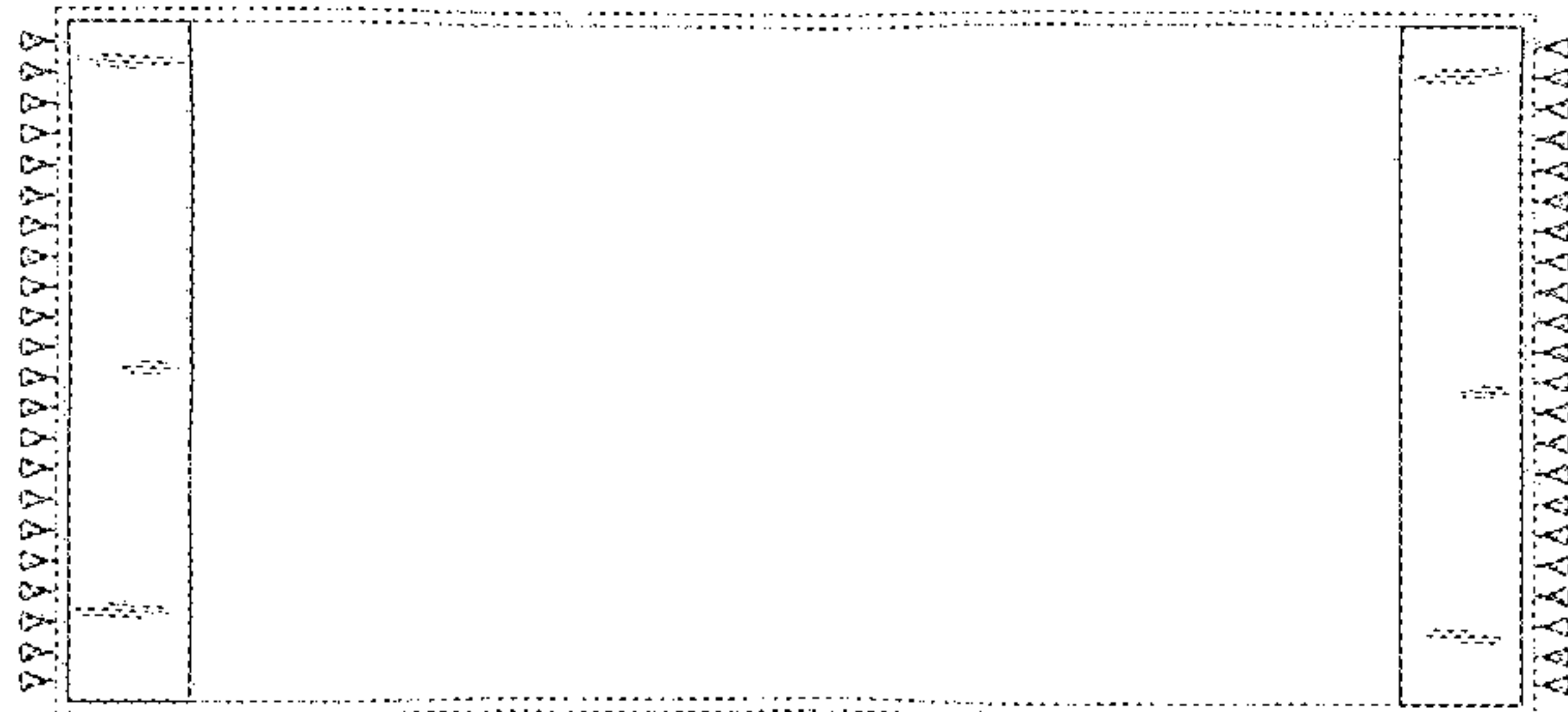
Primary Examiner — Kimberly Barnes
(74) *Attorney, Agent, or Firm* — Ladas & Parry LLP

(57) **CLAIM**
I claim the ornamental design for a table cover, as shown and described.

DESCRIPTION

FIG. 1 is a top view of a table cover showing my new design; FIG. 2 is a bottom view thereof; FIG. 3 is a long-side view thereof; FIG. 4 is a short-side view thereof; FIG. 5 is a top perspective view thereof; FIG. 6 is another top perspective view thereof; and, FIG. 7 is a close-up view of the area encircled in FIG. 5. The broken lines shown in the drawings represent portions of the table cover that form no part of the claimed design.

1 Claim, 6 Drawing Sheets



(56)

References Cited

U.S. PATENT DOCUMENTS

D104,466 S *	5/1937	Mounteney	D19/26
2,810,921 A *	10/1957	Seidenberg	A47G 9/0238 5/501
D194,143 S *	11/1962	Wolozin	D2/826
D202,020 S *	8/1965	Marghab	D6/616
3,435,480 A *	4/1969	Mann, Jr.	A47G 27/0406 15/215
D214,614 S *	7/1969	Schwartz	D6/594
4,037,340 A *	7/1977	Owensmith	G09F 17/00 40/586
4,408,408 A *	10/1983	Eng	B44C 5/02 40/604
4,654,906 A *	4/1987	Roberts	A47G 9/06 428/102
4,703,528 A *	11/1987	Rolle	A47G 9/062 190/2
4,942,078 A *	7/1990	Newman	B32B 27/04 428/192
5,016,288 A *	5/1991	Pan	A41D 23/00 2/207
5,018,229 A *	5/1991	Eberhart	A47G 9/062 428/100
D328,470 S *	8/1992	Costello	D19/26
D328,610 S *	8/1992	Walker	D19/26
5,406,659 A *	4/1995	Camp	A47G 9/062 5/417
D364,722 S *	12/1995	Kallonakis	D2/502
D374,037 S *	9/1996	Wyant	D19/26
5,671,491 A *	9/1997	Ladd	A47G 9/06 40/591
D388,647 S *	1/1998	Odell	D10/109.1
D447,488 S *	9/2001	Lewtan	D14/459
D470,705 S *	2/2003	Tweel	D6/616
D473,088 S *	4/2003	Elliott	D6/599
D479,084 S *	9/2003	Tweel	D6/617
D480,903 S *	10/2003	Tweel	D6/617
6,631,527 B2 *	10/2003	Hyduk	A45F 3/44 135/118
6,652,955 B1 *	11/2003	Plug	A47B 96/201 428/192
6,988,283 B2 *	1/2006	Griffin	A47G 9/0246 5/497
7,131,466 B2 *	11/2006	Speich	A41D 23/00 139/420 A
7,185,801 B2 *	3/2007	Session, Sr.	D06F 95/006 209/937
D551,891 S *	10/2007	Kaiser	D6/595
D579,487 S *	10/2008	Yamada	D18/50
D579,671 S *	11/2008	Mischel, Jr.	D6/303
D589,735 S *	4/2009	Kaiser	D6/602
D590,199 S *	4/2009	Kent	D6/603
7,624,460 B2 *	12/2009	Maimone	A47G 9/0261 5/485
D637,033 S *	5/2011	Passariello	D6/608
D657,451 S *	4/2012	Gehrke	D24/126
8,239,985 B2 *	8/2012	Christensen	A47G 9/062 5/417
D666,787 S *	9/2012	Howard	D2/502
D667,228 S *	9/2012	Kurose	D5/99
8,516,619 B2 *	8/2013	Absi	A42B 1/041 2/202
D699,983 S *	2/2014	Polesuk	D6/602
D704,452 S *	5/2014	Stelly	D5/7
D723,837 S *	3/2015	Gower	D6/580
D724,862 S *	3/2015	Ferguson	D6/602
D739,161 S *	9/2015	Seymour	D6/582
D748,368 S *	2/2016	Singh	D2/502
D748,369 S *	2/2016	Singh	D2/505
D752,361 S *	3/2016	Cumby	D6/601
D763,014 S *	8/2016	Millman	D6/606
9,492,023 B2 *	11/2016	Paulat	A47G 9/062
9,504,332 B2 *	11/2016	Gladney	A47C 27/05
D784,445 S *	4/2017	Campbell	D19/1
D789,117 S *	6/2017	Sofro	D6/596
9,809,003 B2 *	11/2017	Gower	B32B 7/05
D822,105 S *	7/2018	Chandra	D19/1
D824,780 S *	8/2018	Tseng	D9/703
D826,598 S *	8/2018	Thomas	D6/603
10,070,741 B1 *	9/2018	Sofro	A47G 9/02
D831,384 S *	10/2018	O'Neill	D6/601
D831,998 S *	10/2018	Myott	D6/593
D841,290 S *	2/2019	Lee	D2/826
10,448,767 B1 *	10/2019	Williams	A47G 11/006
2001/0044964 A1 *	11/2001	Phillips	A47G 9/062 5/485
2004/0261209 A1 *	12/2004	McKay	A47L 23/266 15/215
2006/0024471 A1 *	2/2006	Cunningham	A47G 9/062 428/81
2007/0050885 A1 *	3/2007	Steinert	A41D 1/21 2/104
2007/0193077 A1 *	8/2007	Brown	G09D 3/00 40/119
2013/0025069 A1 *	1/2013	Ruehlmann	A47C 21/046 5/740
2013/0174350 A1 *	7/2013	Allman	A47C 27/00 5/740
2016/0108565 A1 *	4/2016	McCoy	D03D 27/08 428/85
2016/0309925 A1 *	10/2016	Willins	A47B 97/00

OTHER PUBLICATIONS

RugStudio presents Surya Picnic Pic-4100 Blue Woven Area Rug (on-line), dated Feb. 5, 2015. Retrieved from Internet Apr. 1, 2019, URL: <https://web.archive.org/web/20150205082305/https://www.rugstudio.com/surya-picnic-pic-4011-area-rug.aspx> (1 page) (Year: 2015).*

Free Table Runner Sewing Pattern (on-line), dated Dec. 19, 2007. Retrieved from Internet Nov. 7, 2019, URL: https://web.archive.org/web/20071219063324/https://www.craftandfabriclinks.com/ez_table_runner/table_runner_pattern.html (2 pages) (Year: 2007).*

Good quality chenille table cloth w/fringe (on-line), dated Aug. 23, 2015. Retrieved from Internet Mar. 31, 2020, URL: <https://web.archive.org/web/20150823084111/https://www.dhgate.com/product/good-quality-chenille-table-cloth-w-fringe/158844529.html> (1 page) (Year: 2015).*

Custom Roman Shade with Valence Tassels (on-line), dated Sep. 16, 2015. Retrieved from Internet Apr. 1, 2020, URL: <https://web.archive.org/web/20150916120502/https://www.chairish.com/product/101571/custom-roman-shade-with-valence-tassels> (6 pages) (Year: 2015).*

* cited by examiner

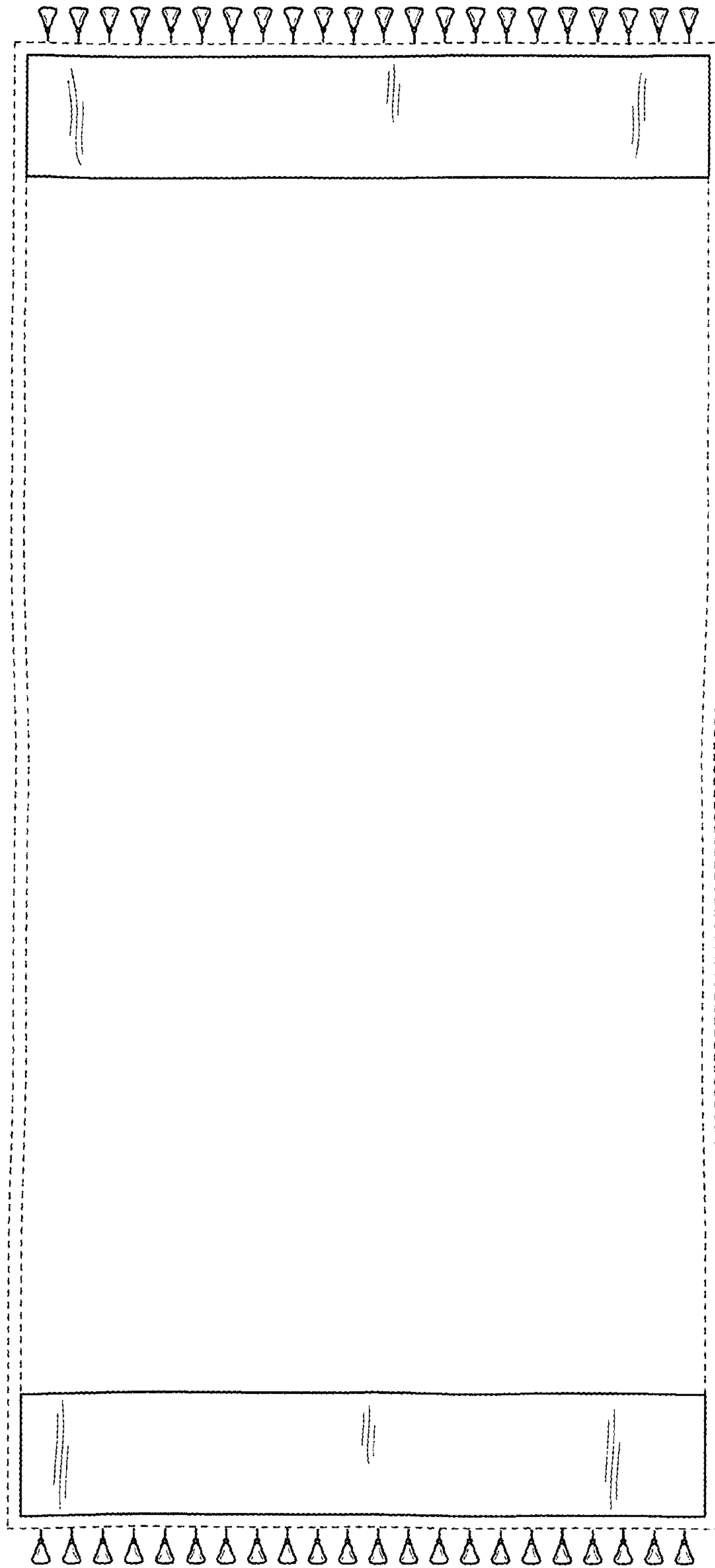


FIG. 1

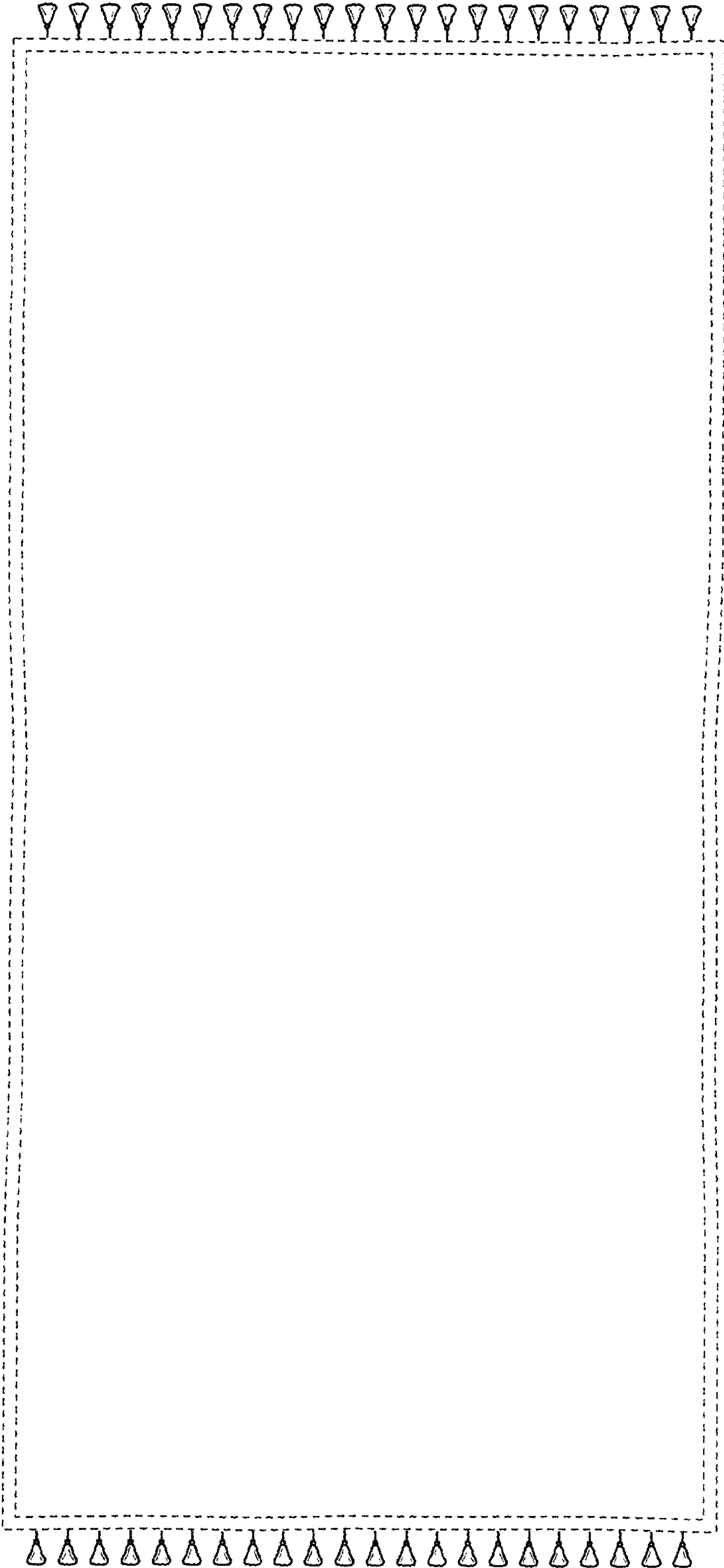


FIG. 2

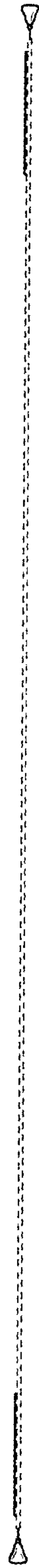


FIG. 3



FIG. 4

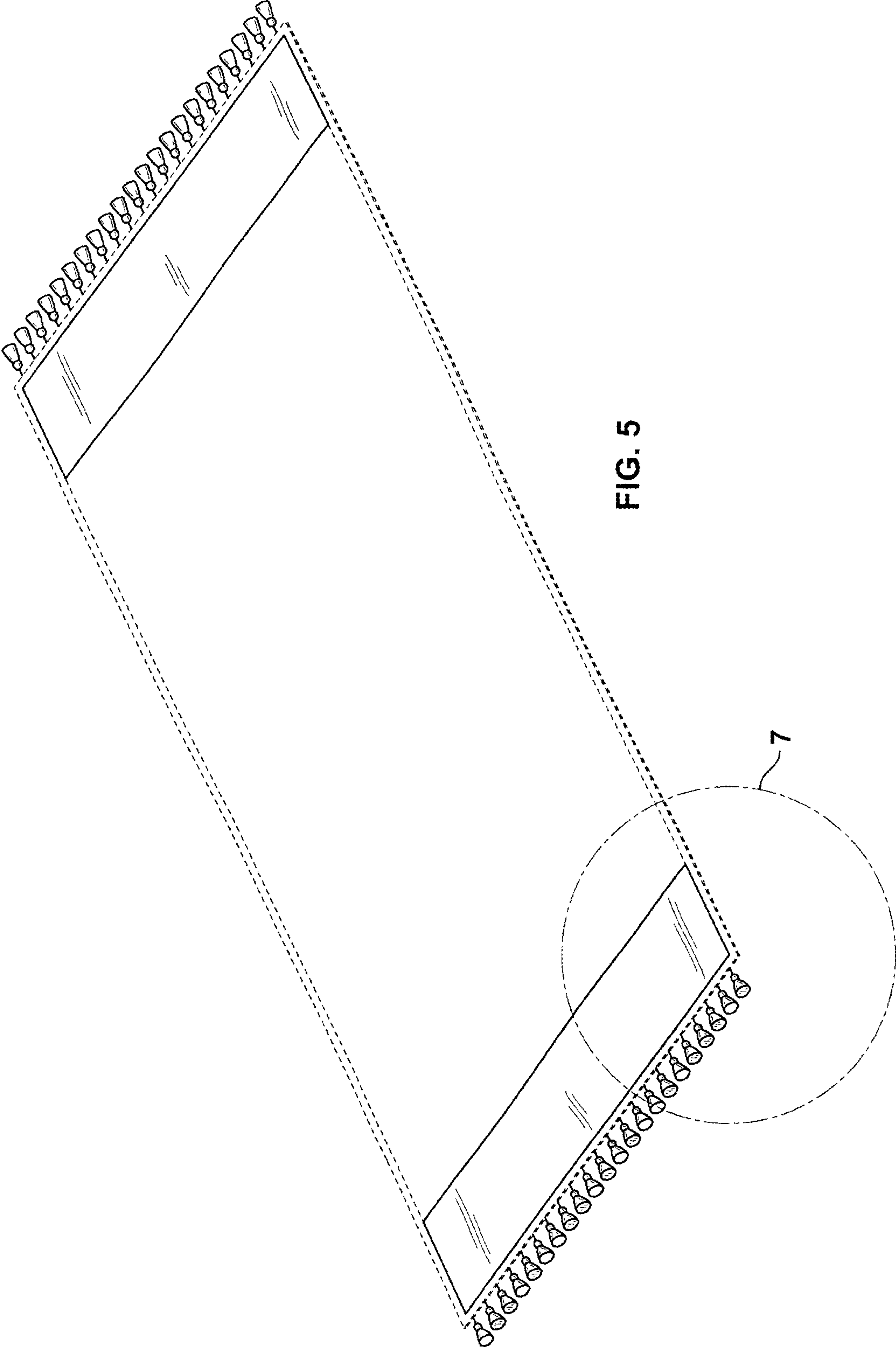


FIG. 5

7

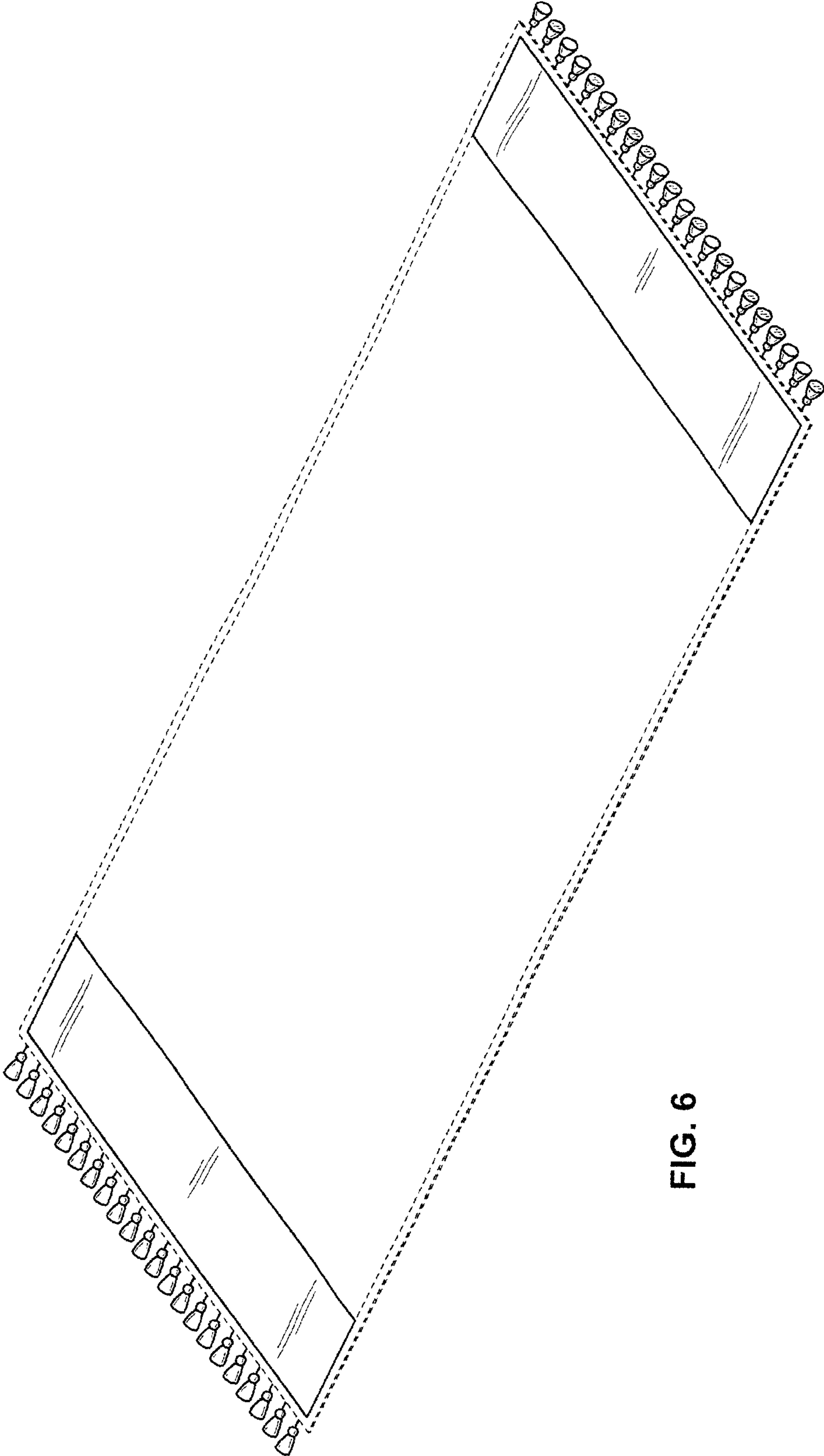


FIG. 6

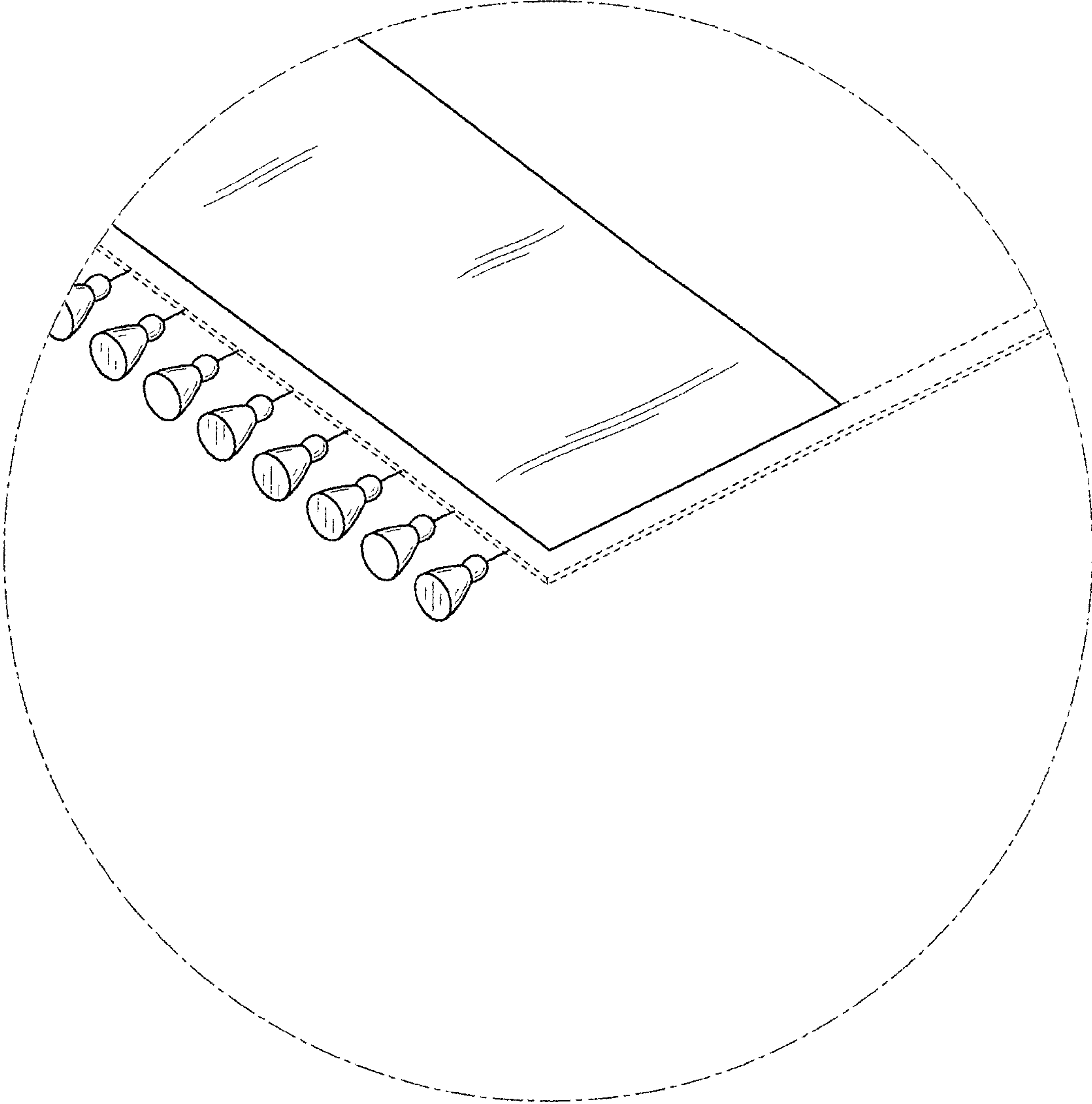


FIG. 7