



US00D896554S

(12) **United States Design Patent**
Chen

(10) **Patent No.:** **US D896,554 S**

(45) **Date of Patent:** **** Sep. 22, 2020**

- (54) **BLANKET**
- (71) Applicant: **Wuxi shang bai huan qiu dian zi shang wu Co., Ltd, Wuxi (CN)**
- (72) Inventor: **Yuan Chen, Shanghai (CN)**
- (73) Assignee: **Wuxi shang bai huan qiu dian zi shang wu Co., Ltd, Wuxi (CN)**
- (**) Term: **15 Years**
- (21) Appl. No.: **29/684,792**
- (22) Filed: **Mar. 25, 2019**
- (51) **LOC (12) Cl.** **06-13**
- (52) **U.S. Cl.**
USPC **D6/603**
- (58) **Field of Classification Search**
USPC D6/596, 602, 603, 608; D2/719, 823
CPC A47G 9/02; A47G 9/0207; A47G 9/0215;
A47G 9/0223; A47G 9/0238; A47G
9/0246; A47G 9/062; A47K 7/00; A47K
7/022; A47K 7/028; A47K 7/04; A47K
7/043; A47K 10/02; A47D 15/003; A47D
5/006; A45C 9/00
See application file for complete search history.

- 2,596,547 A * 5/1952 Guest A47G 9/0207
5/502
- 2,821,723 A * 2/1958 Gluck A47G 9/0238
5/501
- D395,187 S * 6/1998 Mansfield D6/603
- 6,851,127 B1 * 2/2005 Khan A41D 13/00
2/84
- D665,616 S * 8/2012 Pittman A47G 9/062
D6/608
- 8,650,664 B2 * 2/2014 Parr A41D 3/00
2/88
- D839,539 S * 2/2019 Jones D2/719
- D863,726 S * 10/2019 Dodd D2/719
- 2004/0194436 A1 * 10/2004 Frink A01K 23/00
54/79.1

FOREIGN PATENT DOCUMENTS

- GB 626703 A * 7/1949 A47G 9/0207
- * cited by examiner

Primary Examiner — R. Johnson
(74) *Attorney, Agent, or Firm* — Bayramoglu Law Offices LLC

(57) **CLAIM**

The ornamental design for a blanket, as shown and described.

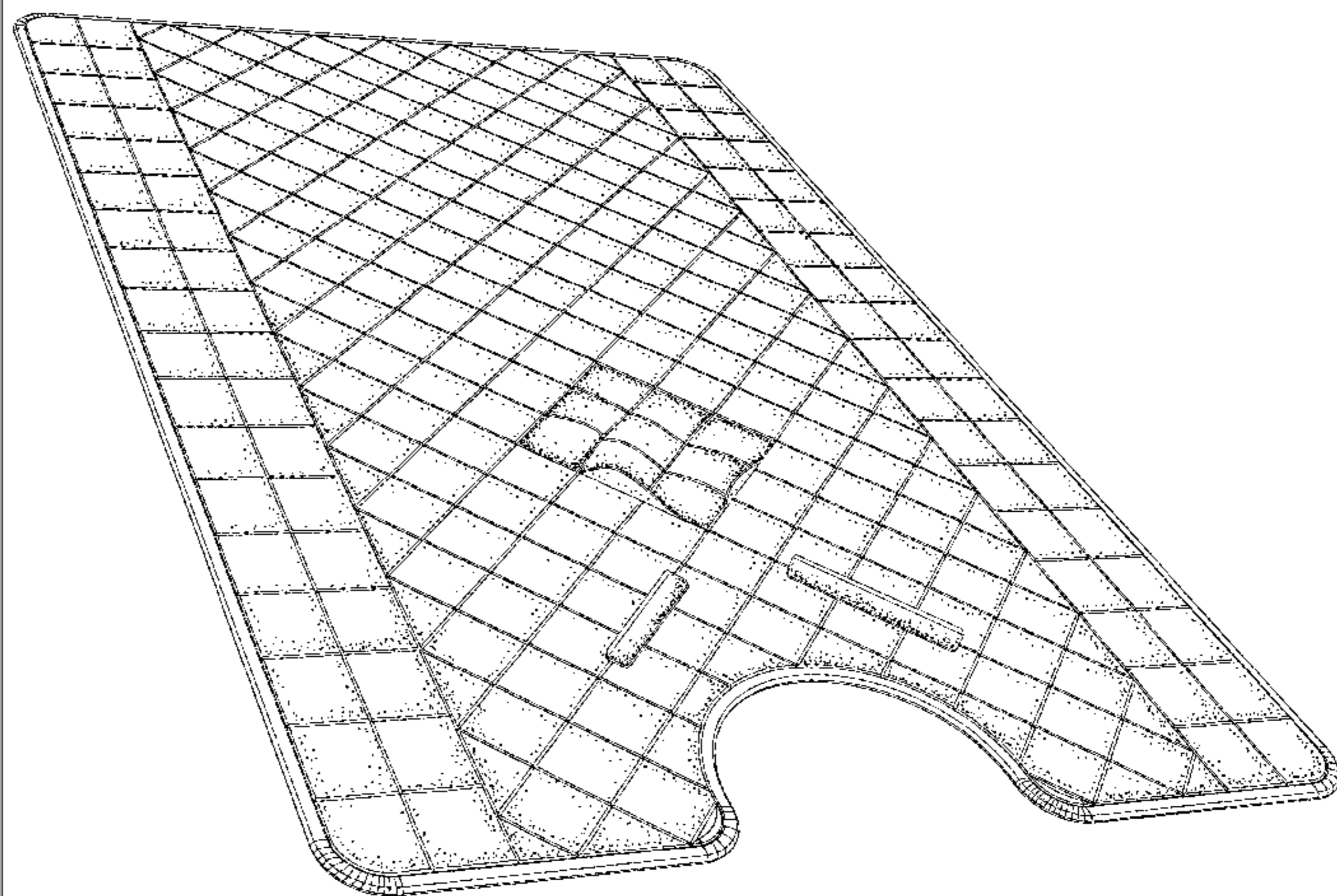
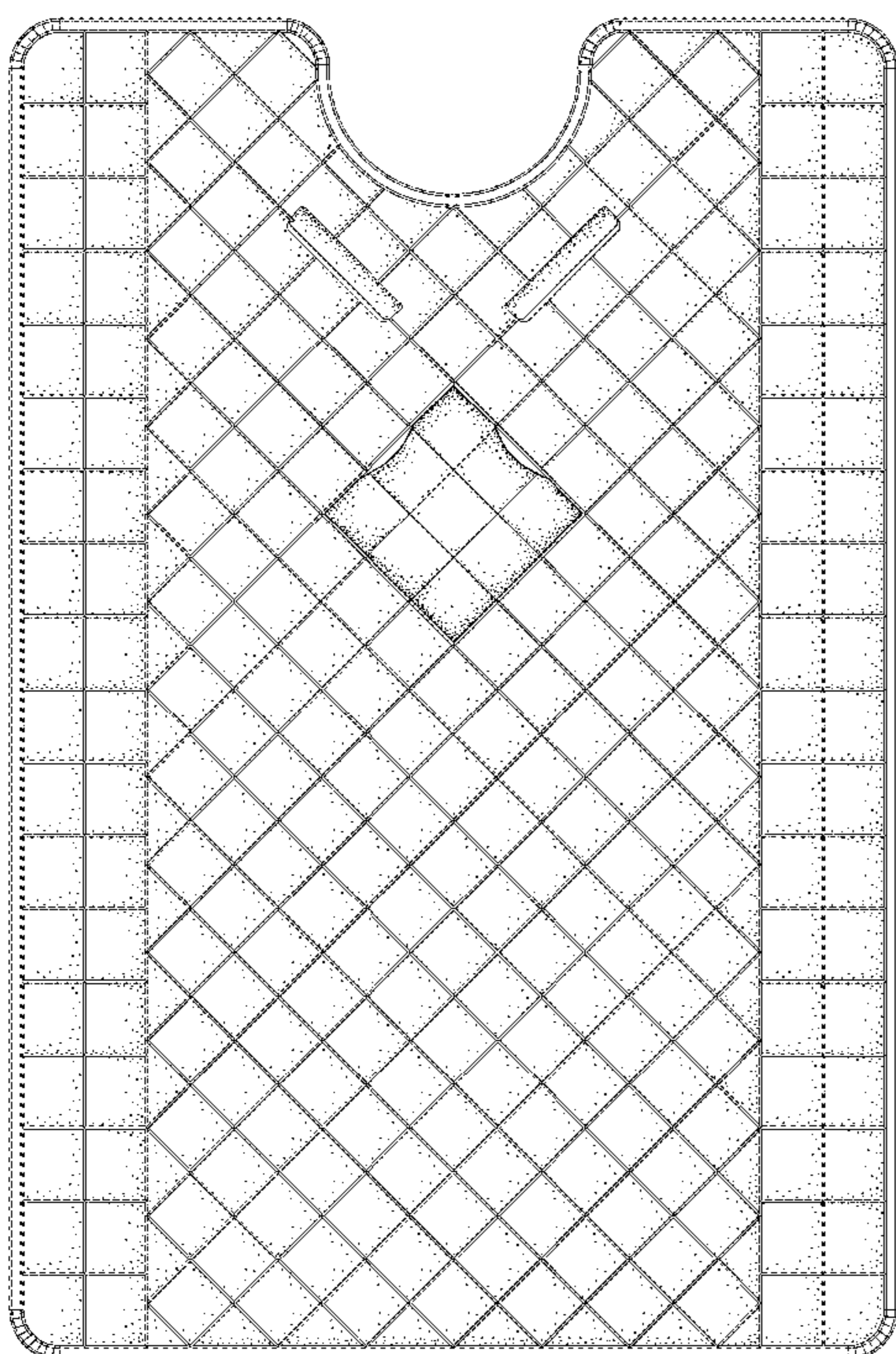
DESCRIPTION

FIG. 1 is a top plan view of a blanket showing the new design; and,
FIG. 2 is a perspective view thereof.
A bottom plan view is omitted since the bottom plan view is flat and devoid of surface ornamentation.

1 Claim, 2 Drawing Sheets

(56) **References Cited**
U.S. PATENT DOCUMENTS

- 2,024,044 A * 12/1935 Johnson A41D 15/04
2/88
- D115,688 S * 7/1939 Davis D6/603
- 2,313,337 A * 3/1943 Gurke A47G 9/04
128/872



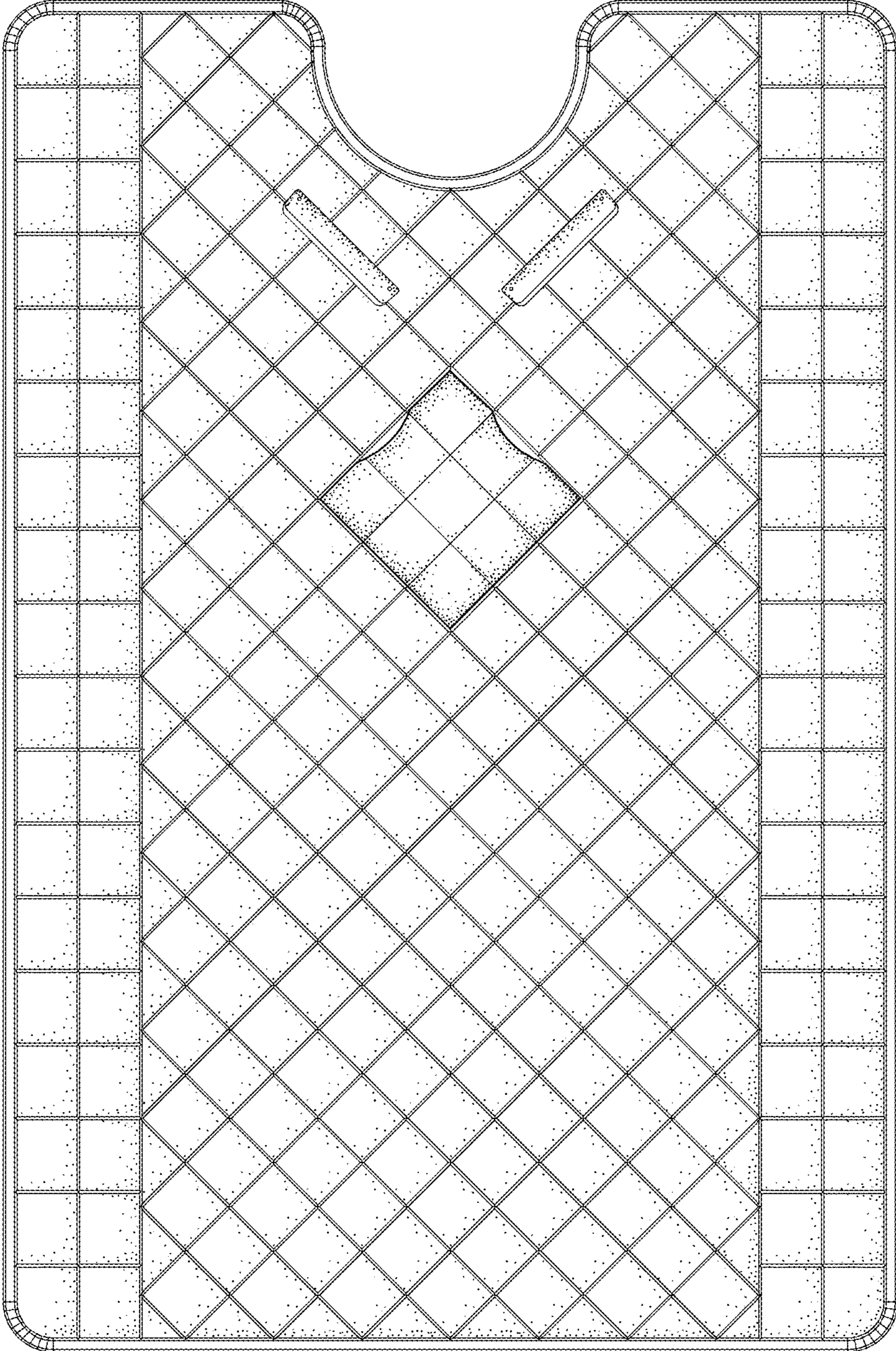


Fig. 1

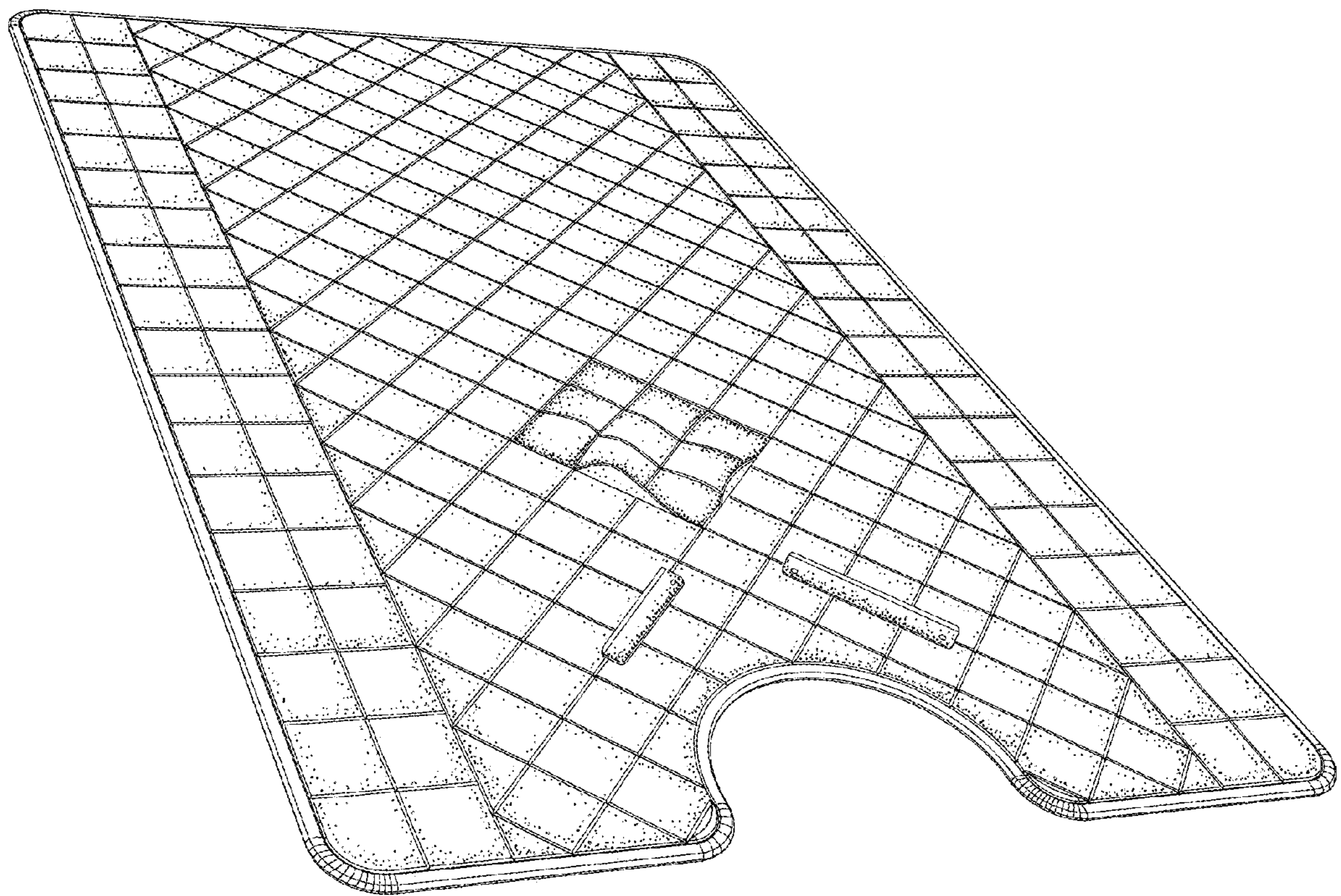


Fig. 2