



US00D896553S

(12) **United States Design Patent** (10) **Patent No.:** **US D896,553 S**
Brasington et al. (45) **Date of Patent:** **** *Sep. 22, 2020**

(54) **TRAVEL PILLOW**

(71) Applicants: **EvanMarie H. Brasington**, Greenville, SC (US); **Chalbourne R. Brasington**, Greenville, SC (US); **Erin H. Brasington**, Greenville, SC (US); **Grant R. Brasington**, Greenville, SC (US)

(72) Inventors: **EvanMarie H. Brasington**, Greenville, SC (US); **Chalbourne R. Brasington**, Greenville, SC (US); **Erin H. Brasington**, Greenville, SC (US); **Grant R. Brasington**, Greenville, SC (US)

(*) Notice: This patent is subject to a terminal disclaimer.

(**) Term: **15 Years**

(21) Appl. No.: **29/718,869**

(22) Filed: **Dec. 30, 2019**

Related U.S. Application Data

(63) Continuation of application No. 29/659,926, filed on Aug. 14, 2018, now Pat. No. Des. 875,436.

(51) **LOC (12) Cl.** **06-09**

(52) **U.S. Cl.**
USPC **D6/601**

(58) **Field of Classification Search**

USPC D6/601, 382, 383, 716.2; D24/191; D21/803
CPC A47C 7/383; A47C 16/005; A47C 20/00; A47C 20/02; A47C 20/027; A47C 20/04; A47G 2009/1018; A47G 9/10; A47G

(Continued)

(56) **References Cited**

U.S. PATENT DOCUMENTS

3,273,174 A 9/1966 Cassini
D214,302 S 6/1969 Barber

(Continued)

OTHER PUBLICATIONS

Versillo Travel Pillow for Neck (on-line), no date available. Retrieved from Internet Nov. 1, 2019, URL: <https://www.amazon.com/Versillo-Travel-Pillow-Lumbar-Support/dp/B07X8XMYF8>; (1 page).

(Continued)

Primary Examiner — Kimberly Barnes

(74) *Attorney, Agent, or Firm* — Dority & Manning, P.A.

(57) **CLAIM**

The ornamental design for a travel pillow, as shown and described.

DESCRIPTION

FIG. 1 is a left side perspective view of a travel pillow showing our new design when the travel pillow is secured on a suitcase;

FIG. 2 is a right side perspective view of the travel pillow of our design;

FIG. 3 is a front view of the travel pillow of FIG. 2;

FIG. 4 is a right side view of the travel pillow of FIG. 2;

FIG. 5 is a rear view of the travel pillow of FIG. 2;

FIG. 6 is a left side view of the travel pillow of FIG. 2;

FIG. 7 is a top view of the travel pillow of FIG. 2;

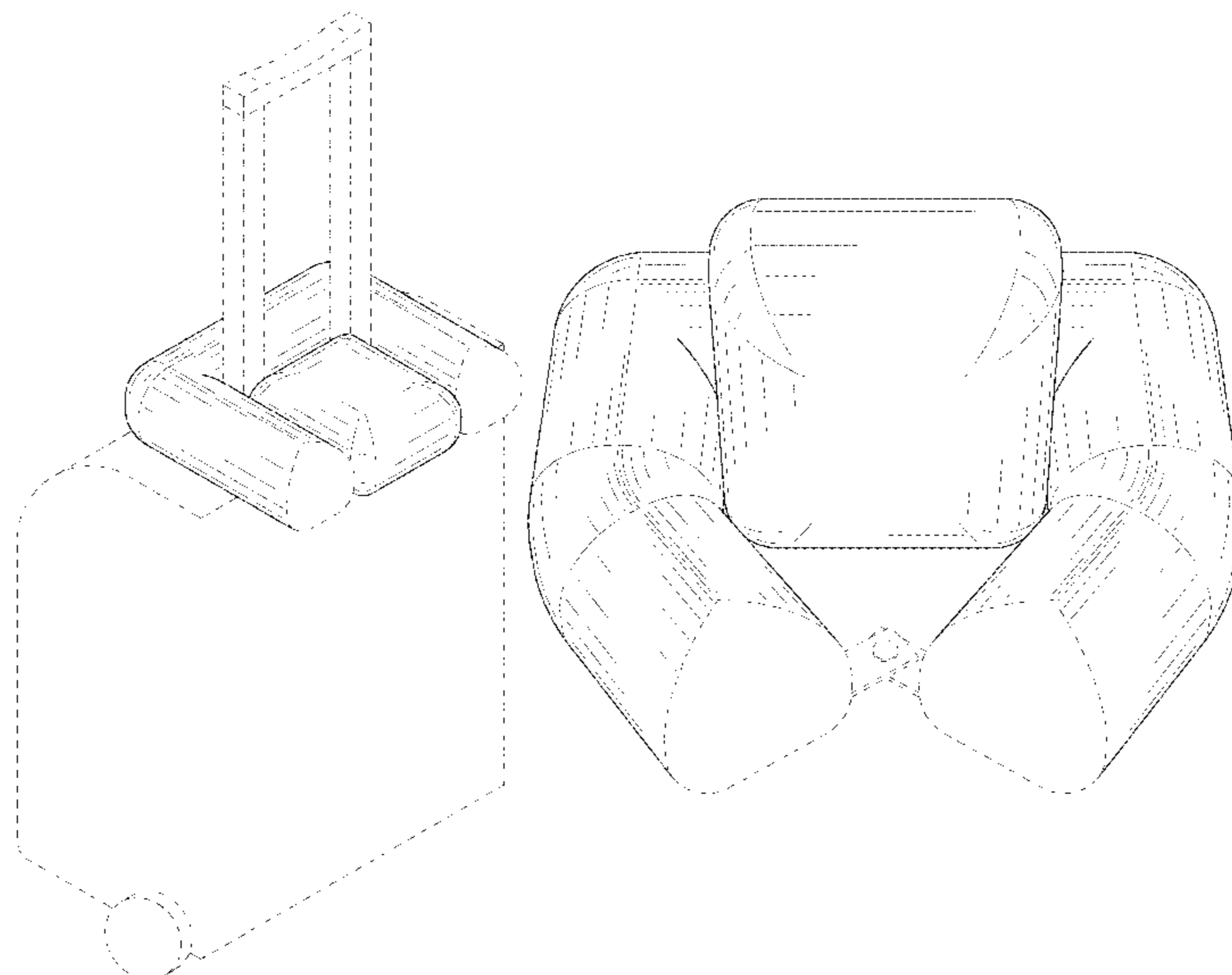
FIG. 8 is a bottom view of the travel pillow of FIG. 2;

FIG. 9 is a rear perspective view of the travel pillow of our design when being worn by a person; and,

FIG. 10 is a front perspective view of the travel pillow of our design.

The broken lines showing a suitcase in FIG. 1 and a person in FIG. 9 represent environmental subject matter and form no part of the claimed design. The remaining broken lines shown on various portions of the travel pillow represent portions of the travel pillow that form no part of the claimed design.

1 Claim, 8 Drawing Sheets



- (58) **Field of Classification Search**
 CPC .. 9/1027; A47G 9/1081; A47G 9/0253; A47G
 9/1045; A47G 9/1072; A61G 7/072;
 A61G 13/121; A61G 7/07; A61G
 13/1225; A61G 7/075
 See application file for complete search history.

(56) **References Cited**

U.S. PATENT DOCUMENTS

D222,005 S *	9/1971	Kelly	D6/716.2
4,173,048 A	11/1979	Varaney	
D353,966 S	1/1995	Rogers	
D376,503 S	12/1996	Petersson	
D384,536 S	10/1997	Kraft	
D400,313 S	10/1998	Chatwell	
D414,003 S	9/1999	Hering	
D416,745 S	11/1999	Noyes	
D420,845 S	2/2000	Rumage	
6,163,905 A	12/2000	Noldus-Nilsen	
D505,754 S	5/2005	Cohen-Fyffe	
D567,456 S	4/2008	Martin et al.	
D588,390 S	3/2009	Brill-Cass et al.	

D637,440 S	5/2011	Mettler	
D673,410 S	1/2013	O'Connell	
D739,668 S	9/2015	Owens	
D762,400 S	8/2016	Wong	
D850,154 S	6/2019	Gilroy	
D862,115 S	10/2019	Kelber	
D863,484 S *	10/2019	de Grasse	D21/803
10,512,576 B2 *	12/2019	Melcher	A61G 7/075
D874,850 S *	2/2020	Chen	D6/601
2002/0108578 A1	8/2002	Kostial	
2007/0124861 A1	6/2007	Fellows	
2019/0380517 A1 *	12/2019	Martin	A47G 9/1081
2020/0000256 A1 *	1/2020	Ruffiel	A47G 9/1045
2020/0022510 A1 *	1/2020	Shokrian	A47G 9/0253

OTHER PUBLICATIONS

Upstate "kidtrepreneur" puts own twist on travel pillow (on-line), dated Oct. 29, 2019. Retrieved from Internet Nov. 1, 2019, URL: <https://www.wyff4.com/article/upstate-kidtrepreneur-puts-own-twist-on-travel-pillow/29628407#>; (2 pages) (Year: 2019).

* cited by examiner

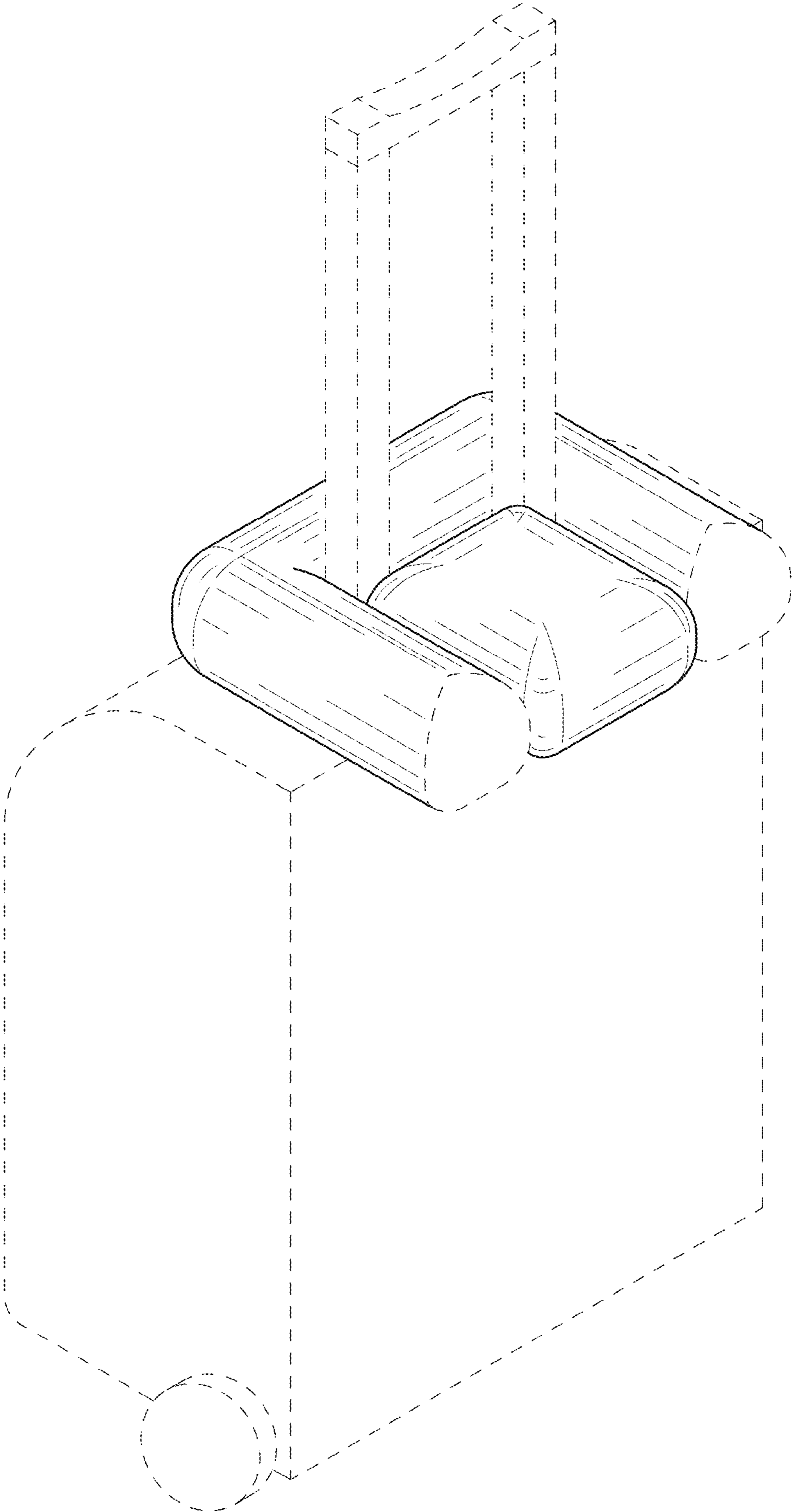


FIG. 1

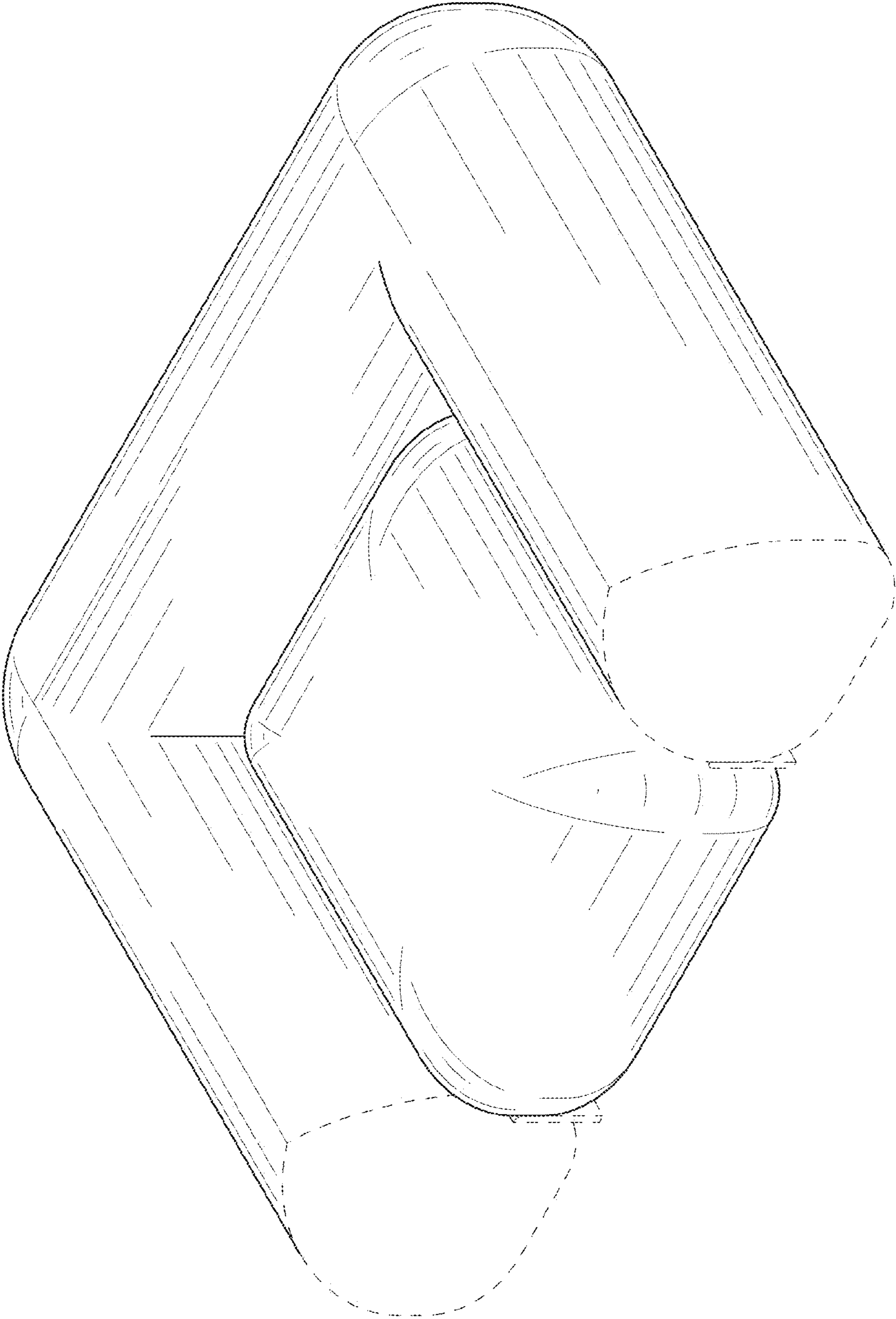


FIG. 2

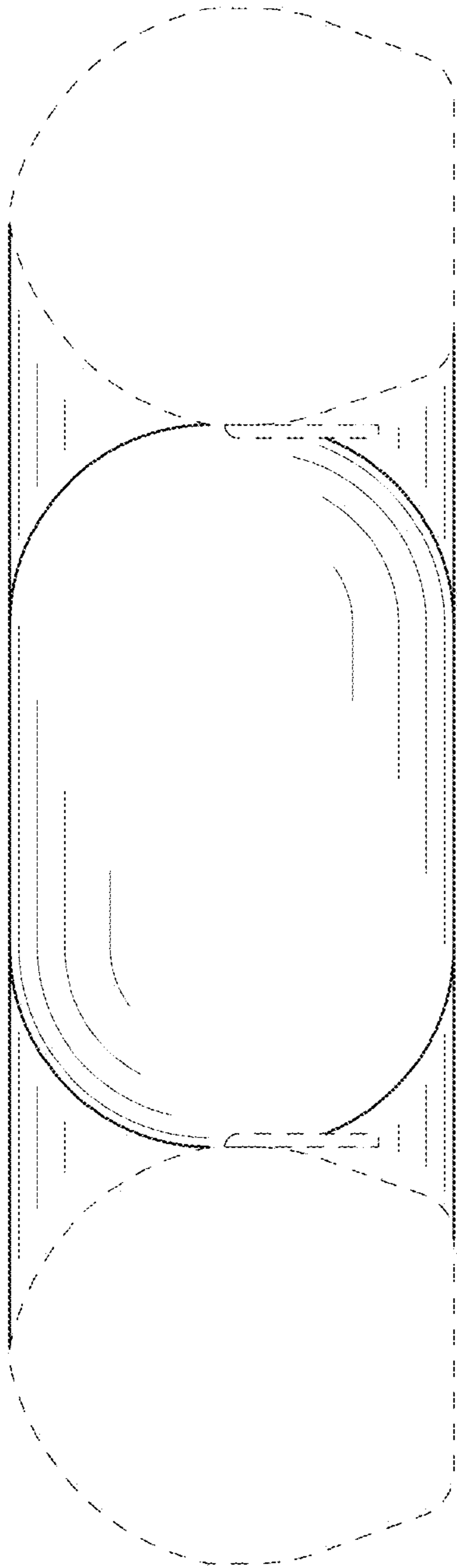


FIG. 3

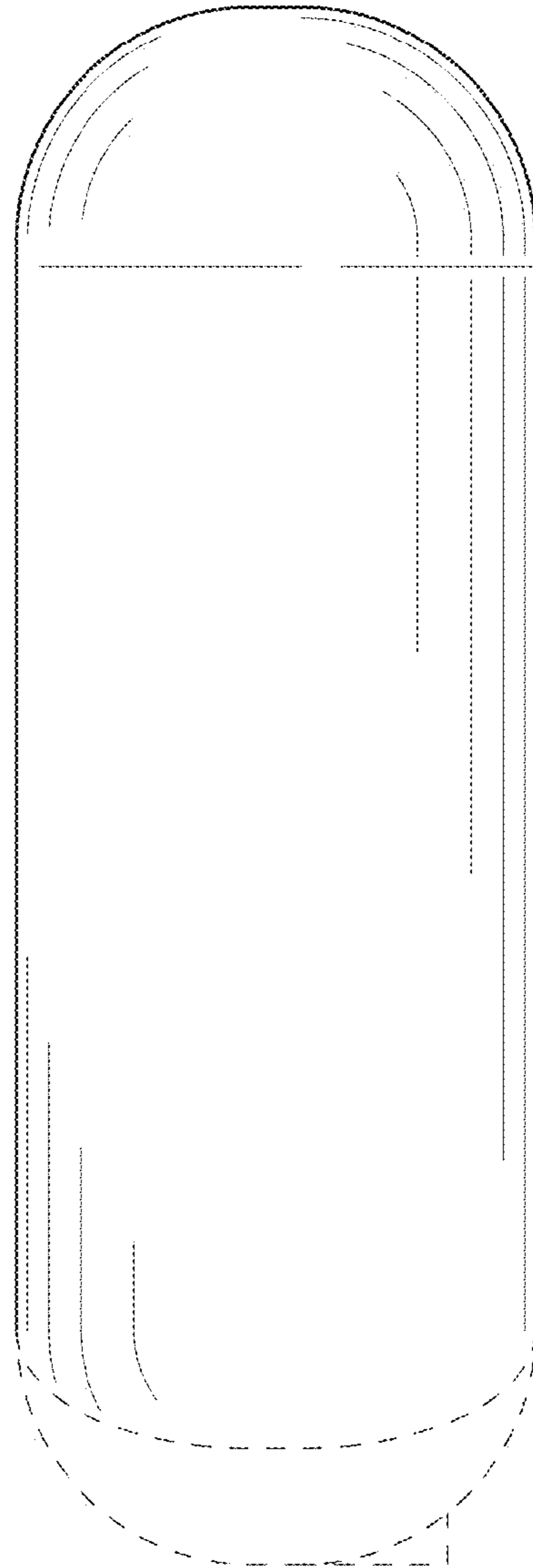


FIG. 4

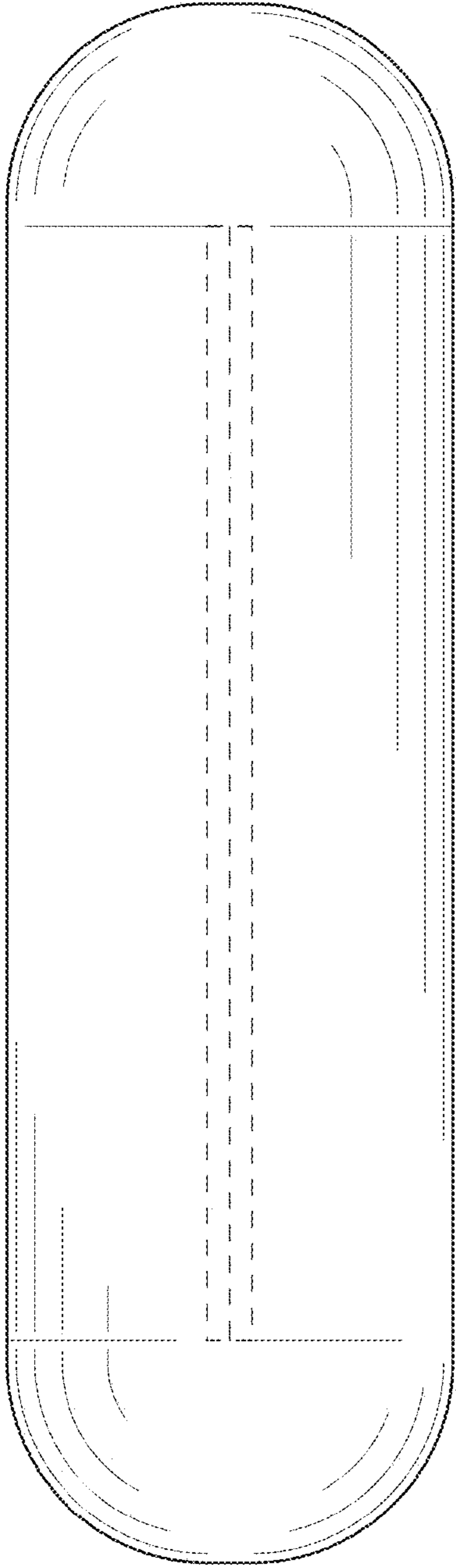


FIG. 5

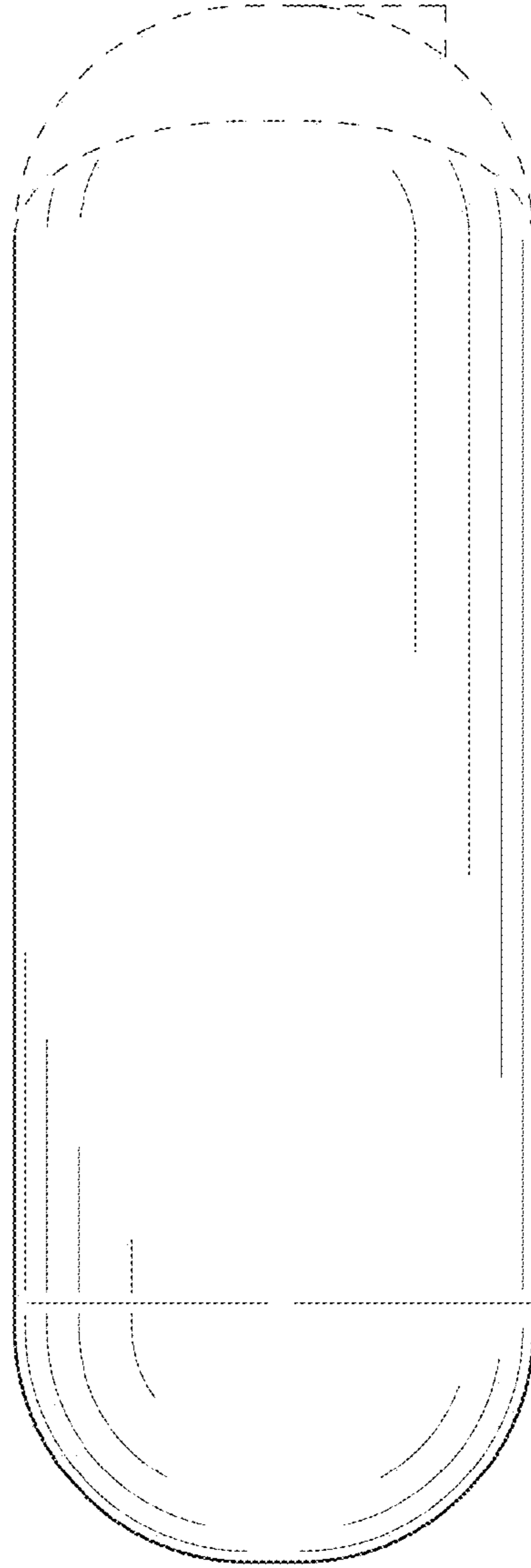


FIG. 6

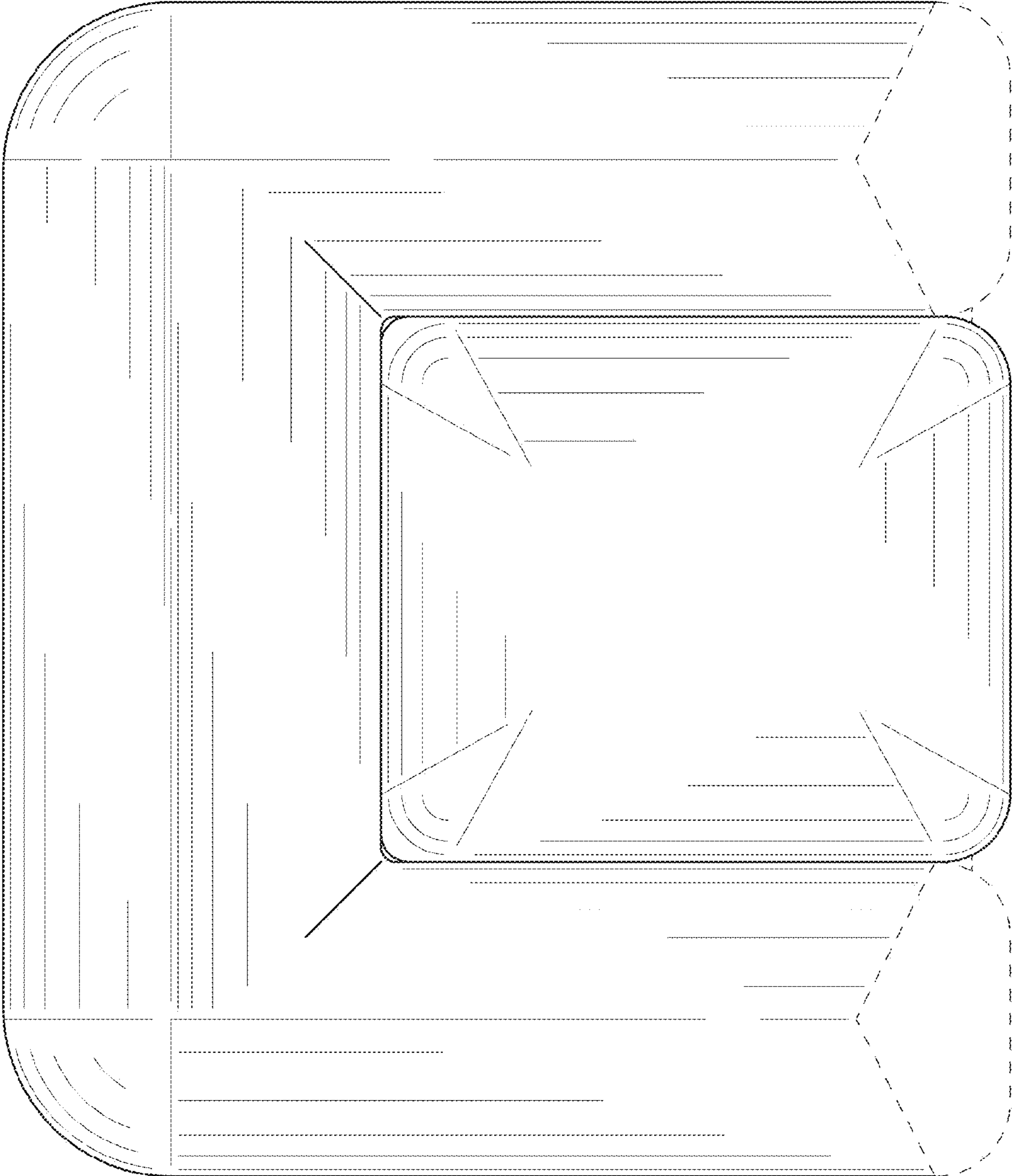


FIG. 7

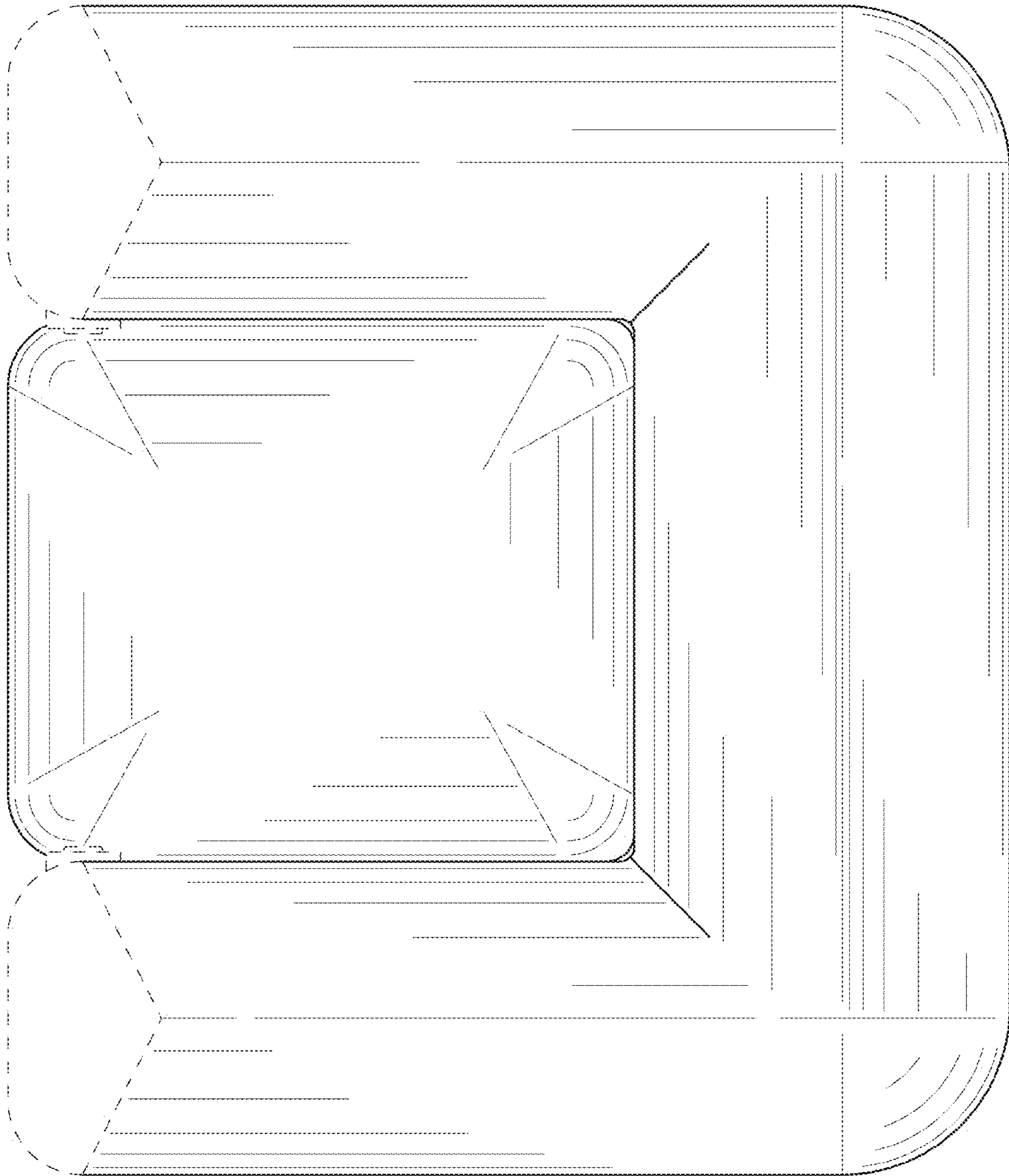


FIG. 8

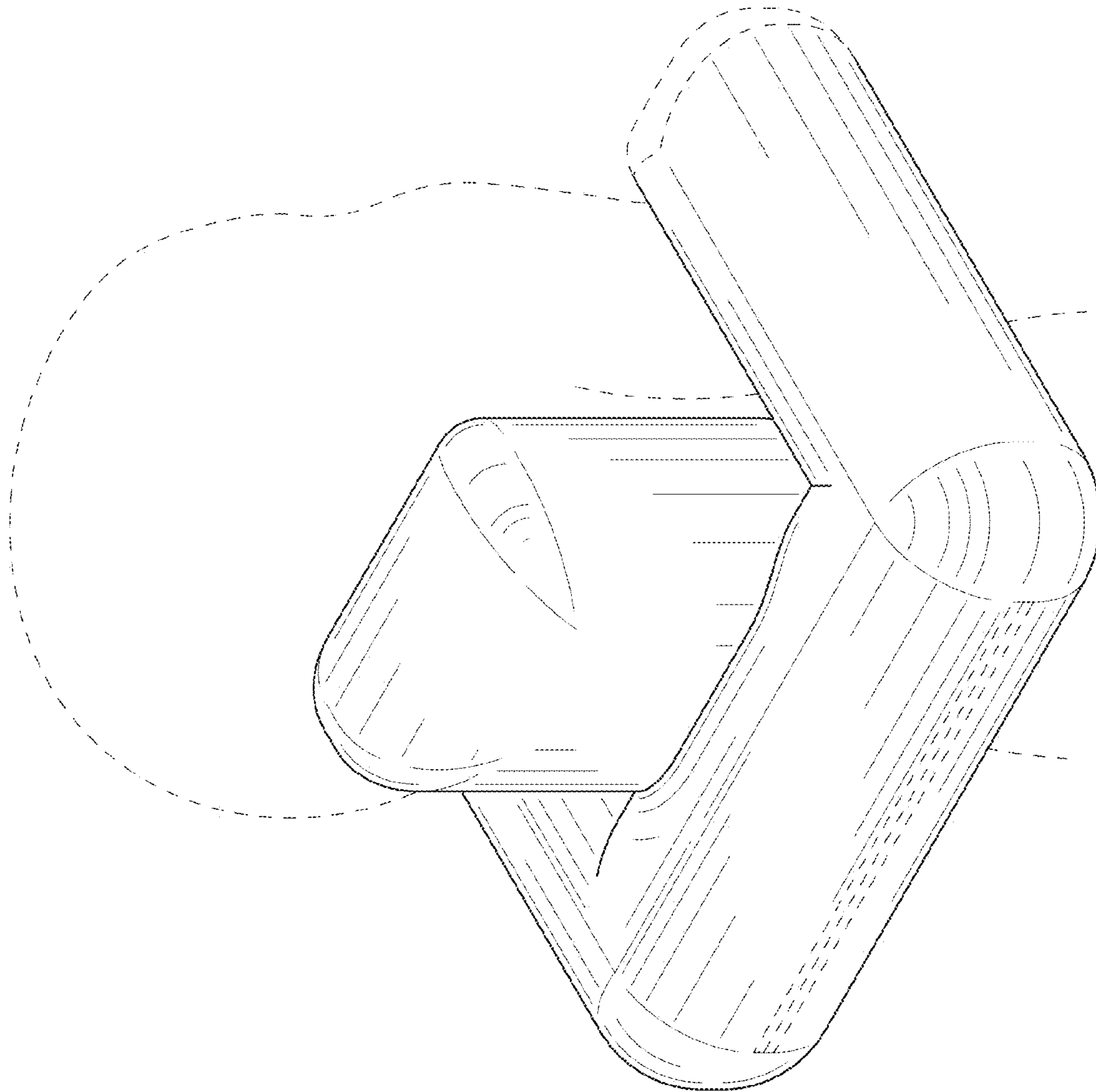


FIG. 9

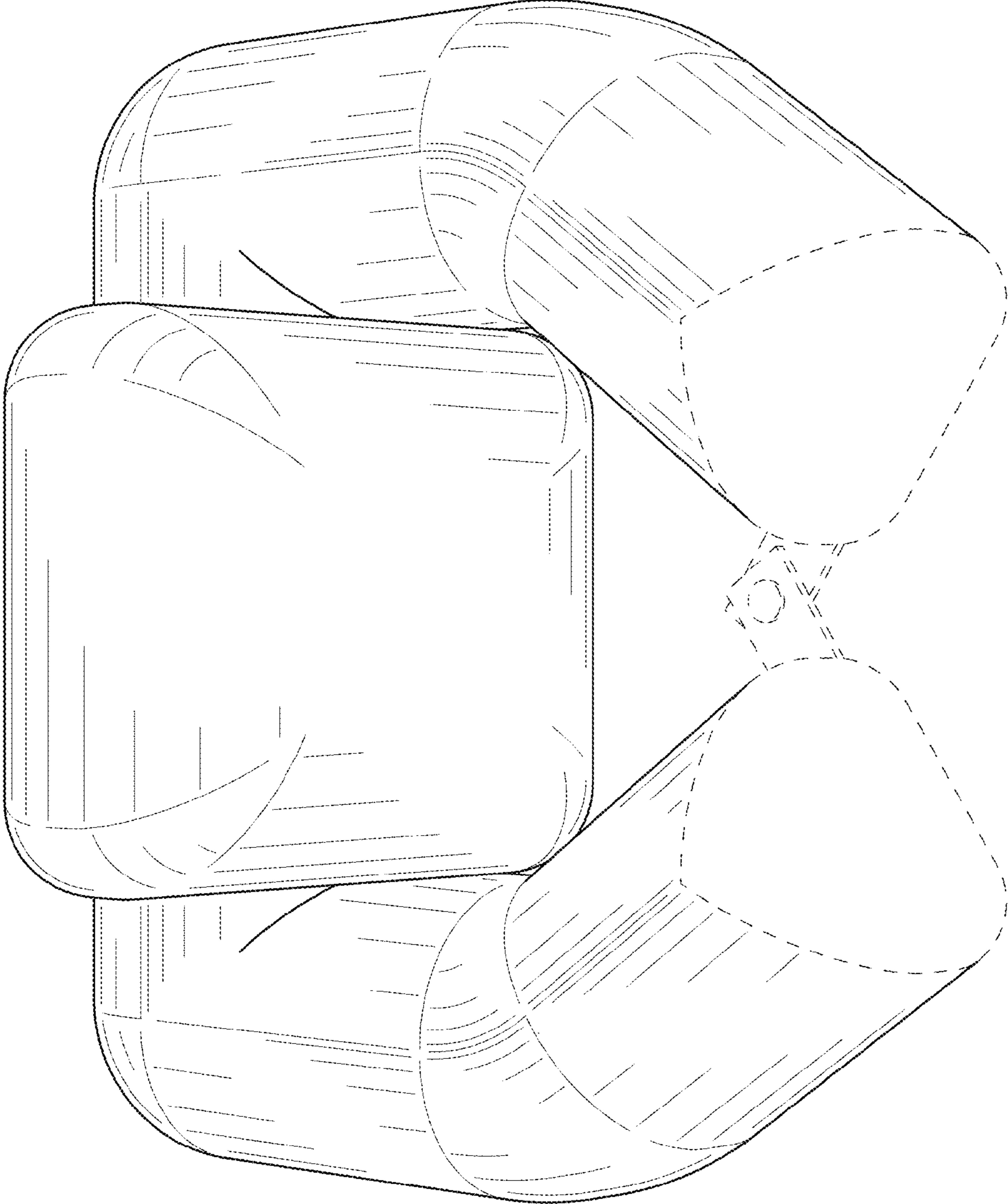


FIG. 10