



US00D896551S

(12) **United States Design Patent** (10) **Patent No.:** **US D896,551 S**
Terndrup et al. (45) **Date of Patent:** **** Sep. 22, 2020**

(54) **SEAT CUSHION**

(71) Applicants: **Joseph John Terndrup**, Fort Worth, TX (US); **Joshua Daniel Terndrup**, Waco, TX (US)

(72) Inventors: **Joseph John Terndrup**, Fort Worth, TX (US); **Joshua Daniel Terndrup**, Waco, TX (US)

(**) Term: **15 Years**

(21) Appl. No.: **29/677,216**

(22) Filed: **Jan. 18, 2019**

(51) **LOC (12) Cl.** **06-09**

(52) **U.S. Cl.**
USPC **D6/601**

(58) **Field of Classification Search**
USPC D6/595-601, 604, 606; D24/183, 190; D21/803, 809
CPC A47C 20/00; A47C 20/021; A47C 7/742; A47C 7/021; A47D 15/001; A47D 15/008; A47G 9/00; A47G 9/10; B62J 1/26

See application file for complete search history.

(56) **References Cited**

U.S. PATENT DOCUMENTS

4,925,064	A *	5/1990	Comora	A45F 3/04 224/155
6,839,928	B1 *	1/2005	Woodall	A47C 4/52 5/653
D629,628	S *	12/2010	Hsu	D6/354
D731,816	S *	6/2015	Edgemon	D6/601
9,051,169	B2 *	6/2015	Pearce	B68G 7/00
9,332,850	B2 *	5/2016	Krishtul	A47C 7/029
D805,323	S *	12/2017	Chan	D6/601

D843,133	S *	3/2019	Cohen	D6/601
D863,822	S *	10/2019	Chen	D6/601
2015/0108802	A1 *	4/2015	Krishtul	A47C 7/029 297/283.1

* cited by examiner

Primary Examiner — Mary Ann Calabrese
Assistant Examiner — Jennifer L Rempfer

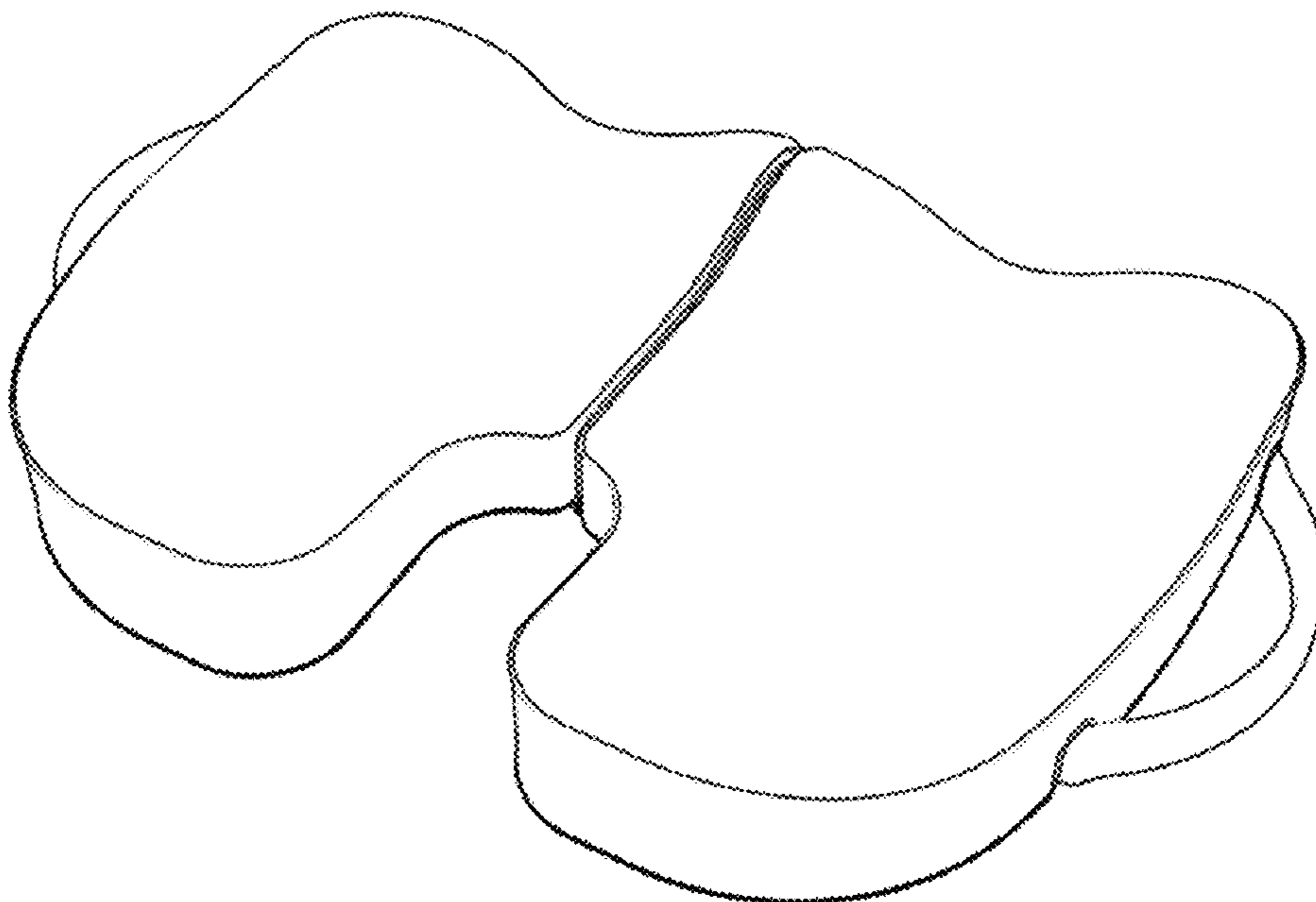
(57) **CLAIM**

The ornamental design for a seat cushion, as shown and described.

DESCRIPTION

FIG. 1 is a top perspective view of a seat cushion showing our new design;
 FIG. 2 is a bottom perspective view thereof;
 FIG. 3 is a front elevational view thereof;
 FIG. 4 is a rear elevational view thereof;
 FIG. 5 is a side elevational view, the opposite side being a mirror image thereof;
 FIG. 6 is a top plan view thereof;
 FIG. 7 is a bottom plan view thereof;
 FIG. 8 is a top front perspective view in a partially folded position thereof;
 FIG. 9 is a bottom front perspective view in a partially folded position thereof;
 FIG. 10 is a side view in a folded position, the opposite side being a mirror image thereof;
 FIG. 11 is a top perspective view in a folded position thereof;
 FIG. 12 is a top view in a folded position thereof;
 FIG. 13 is a front view in a folded position thereof;
 FIG. 14 is a rear view in a folded position thereof;
 FIG. 15 is a front view in a 90-degree position thereof;
 FIG. 16 is a rear view in a 90-degree position thereof; and,
 FIG. 17 is top-rear view in 90-degree position thereof.

1 Claim, 9 Drawing Sheets



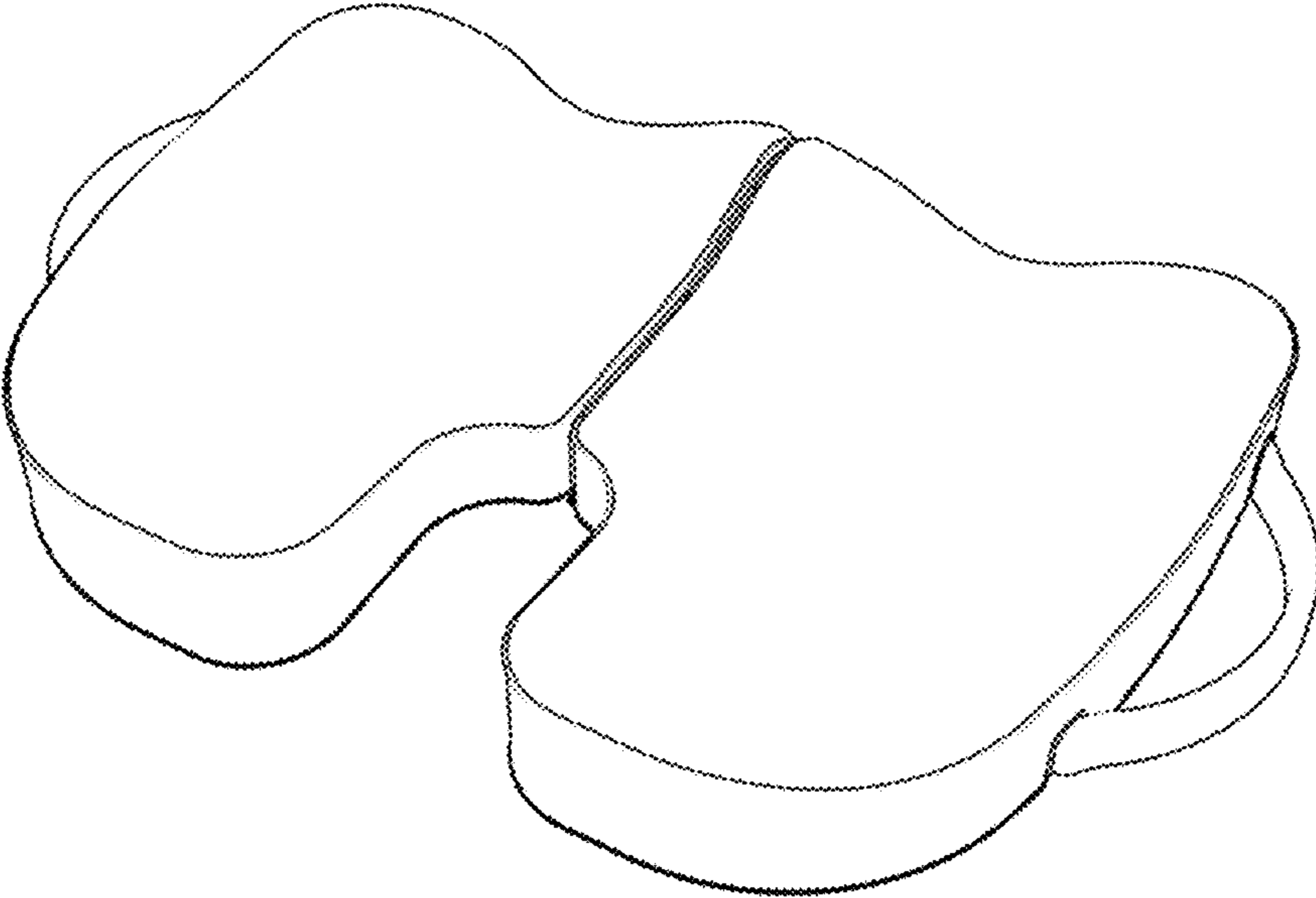


Fig. 1

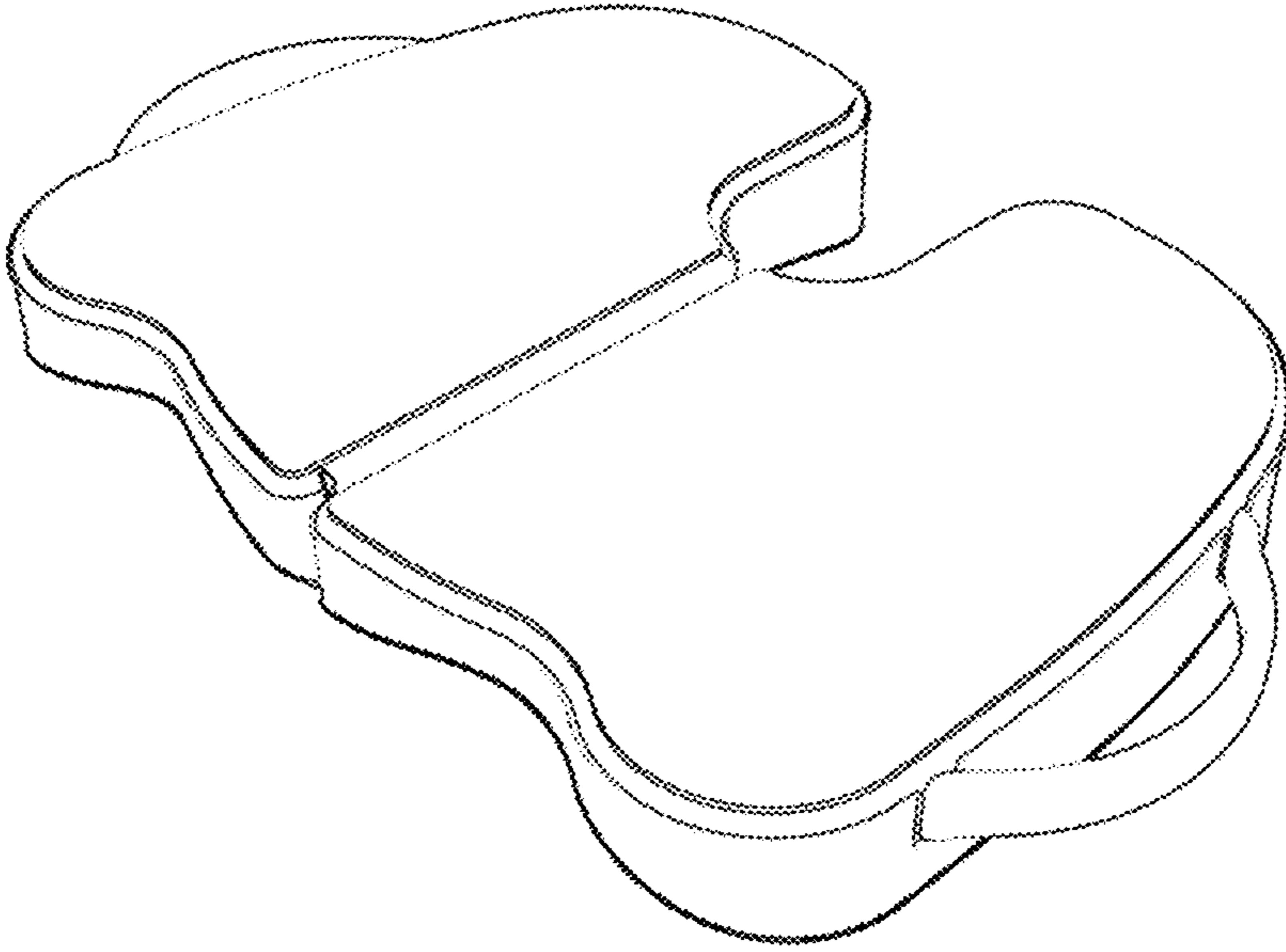


Fig. 2

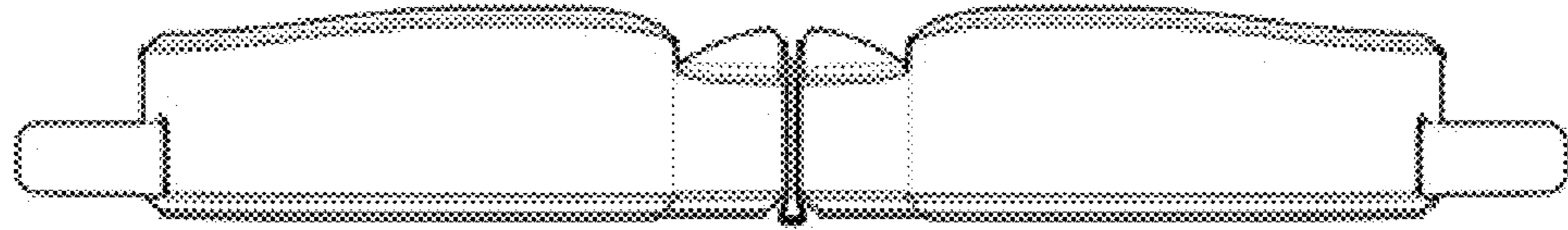


Fig. 3

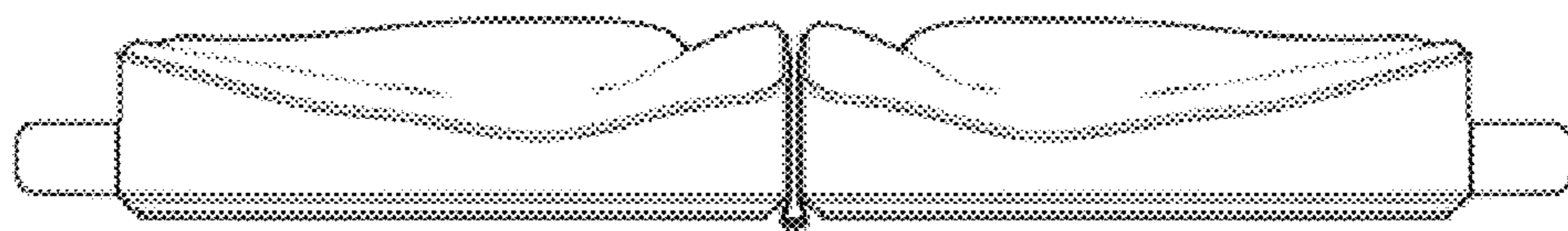


Fig. 4

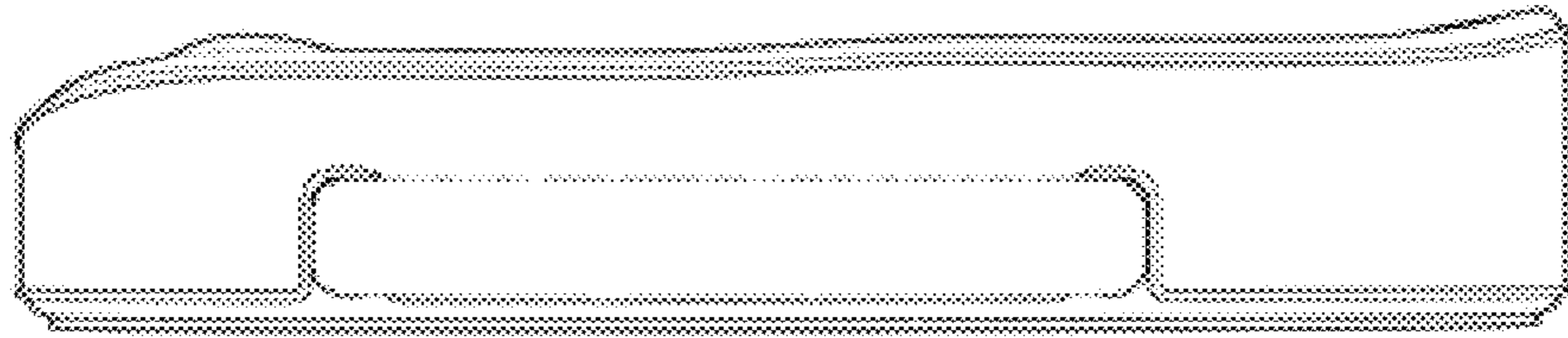


Fig. 5

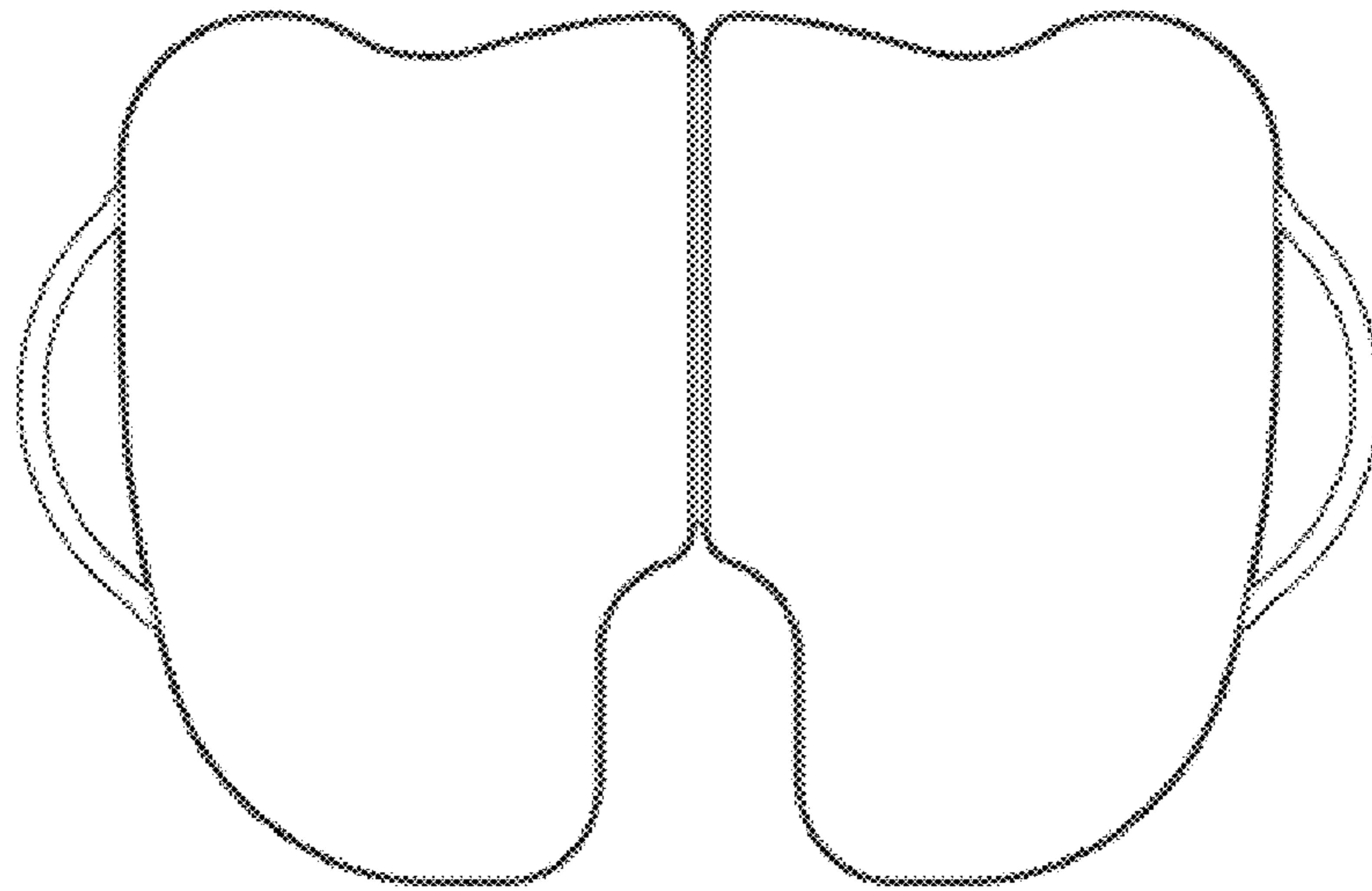


Fig. 6

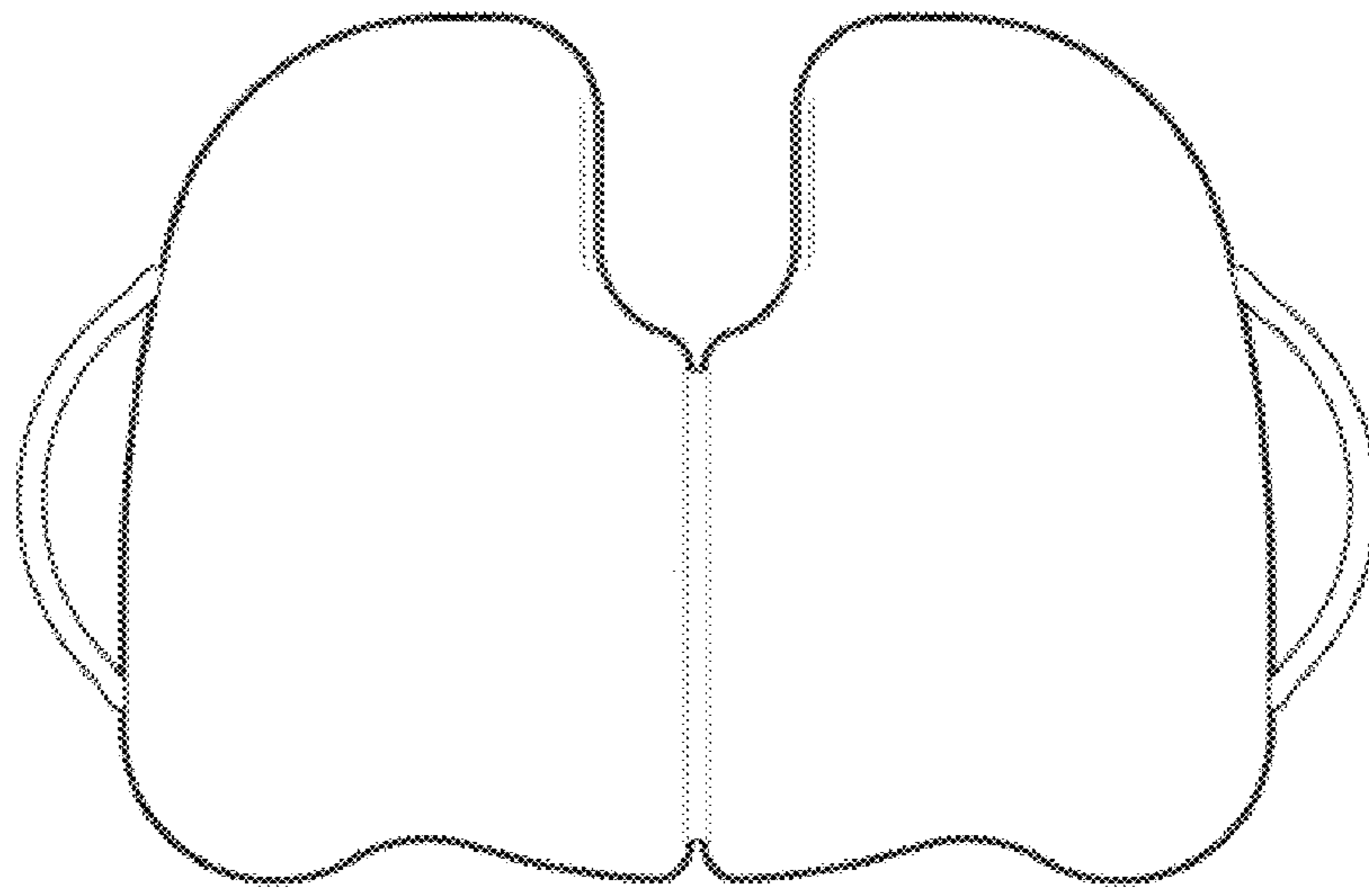


Fig. 7

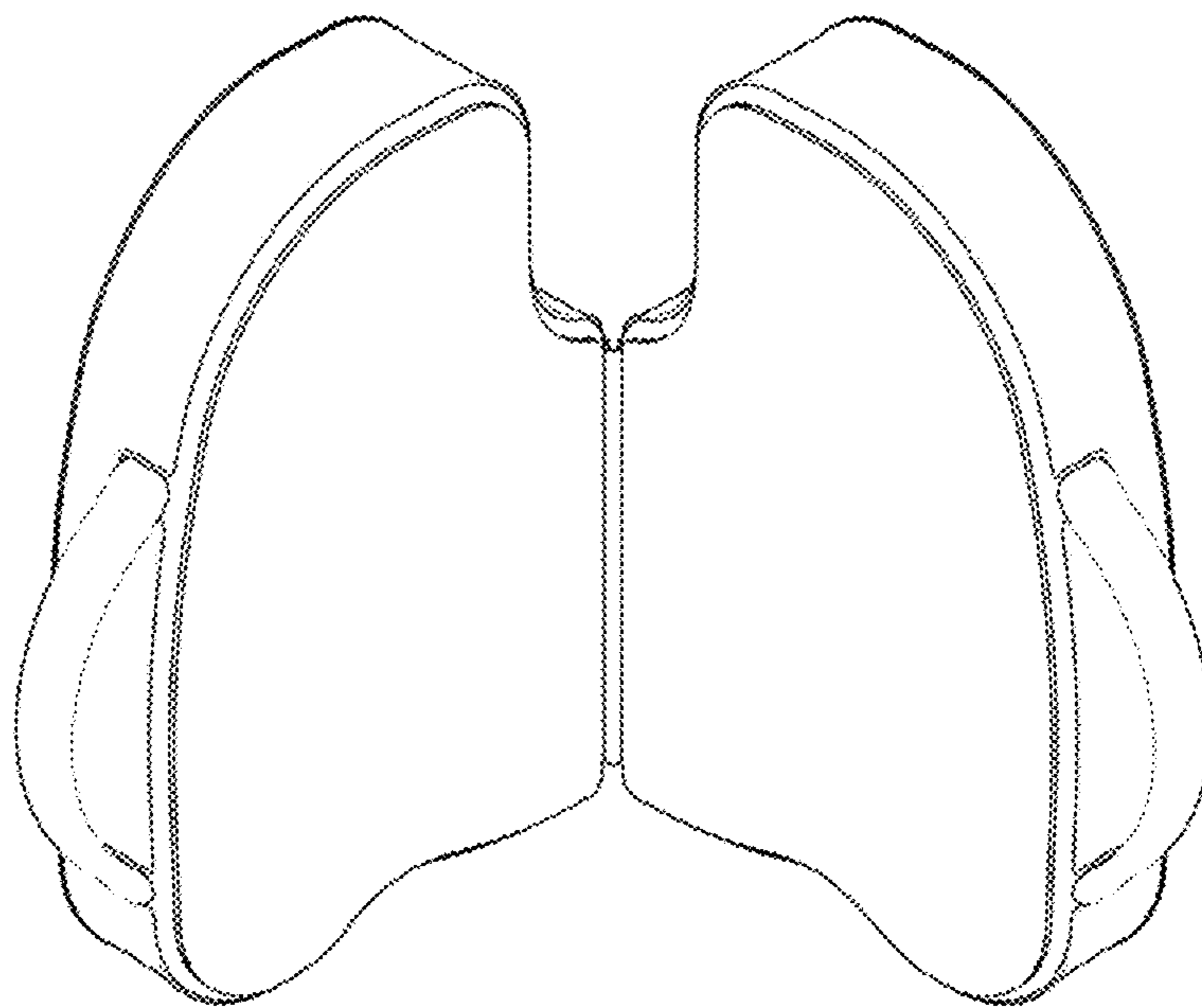


Fig. 8

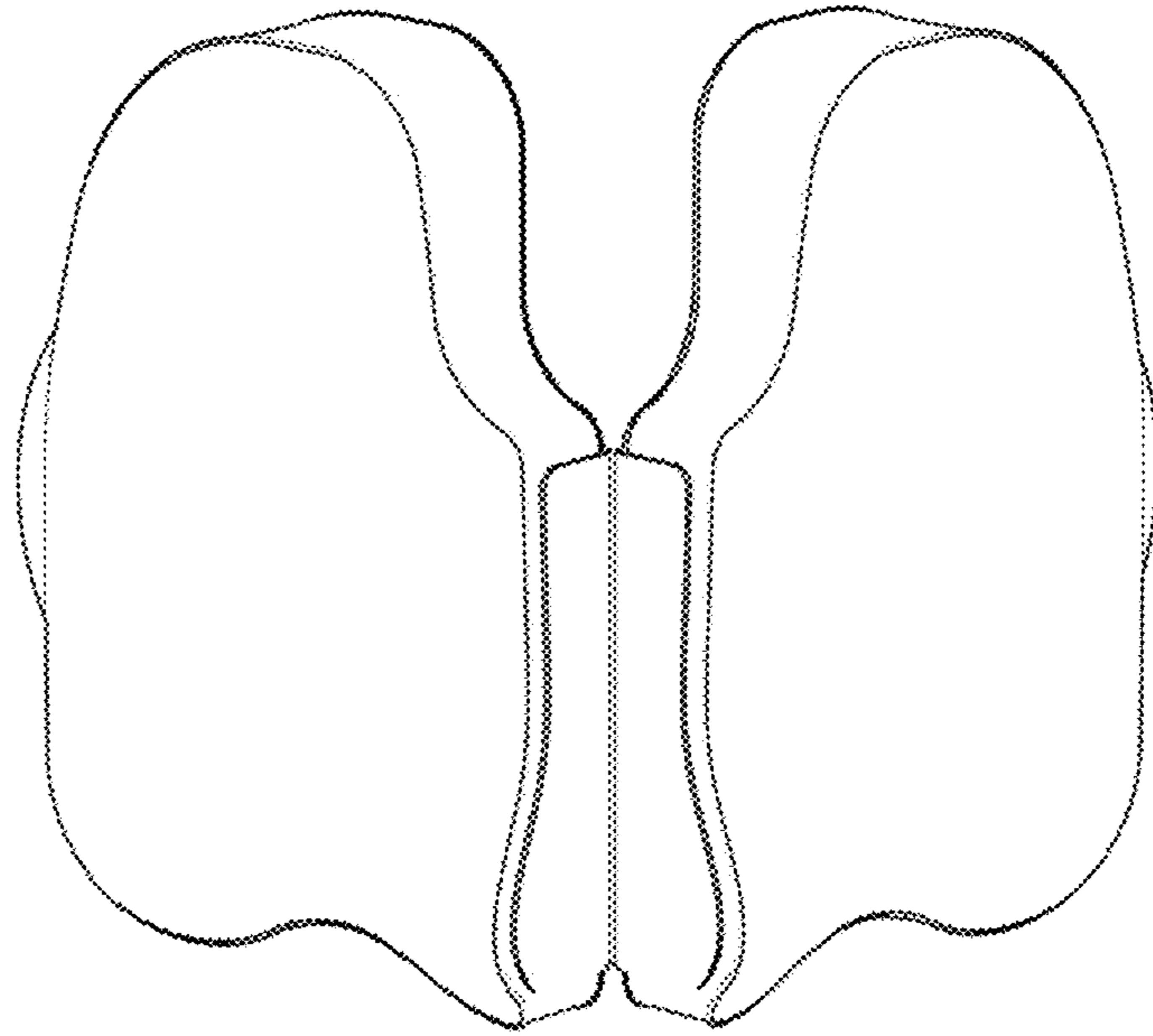


Fig. 9

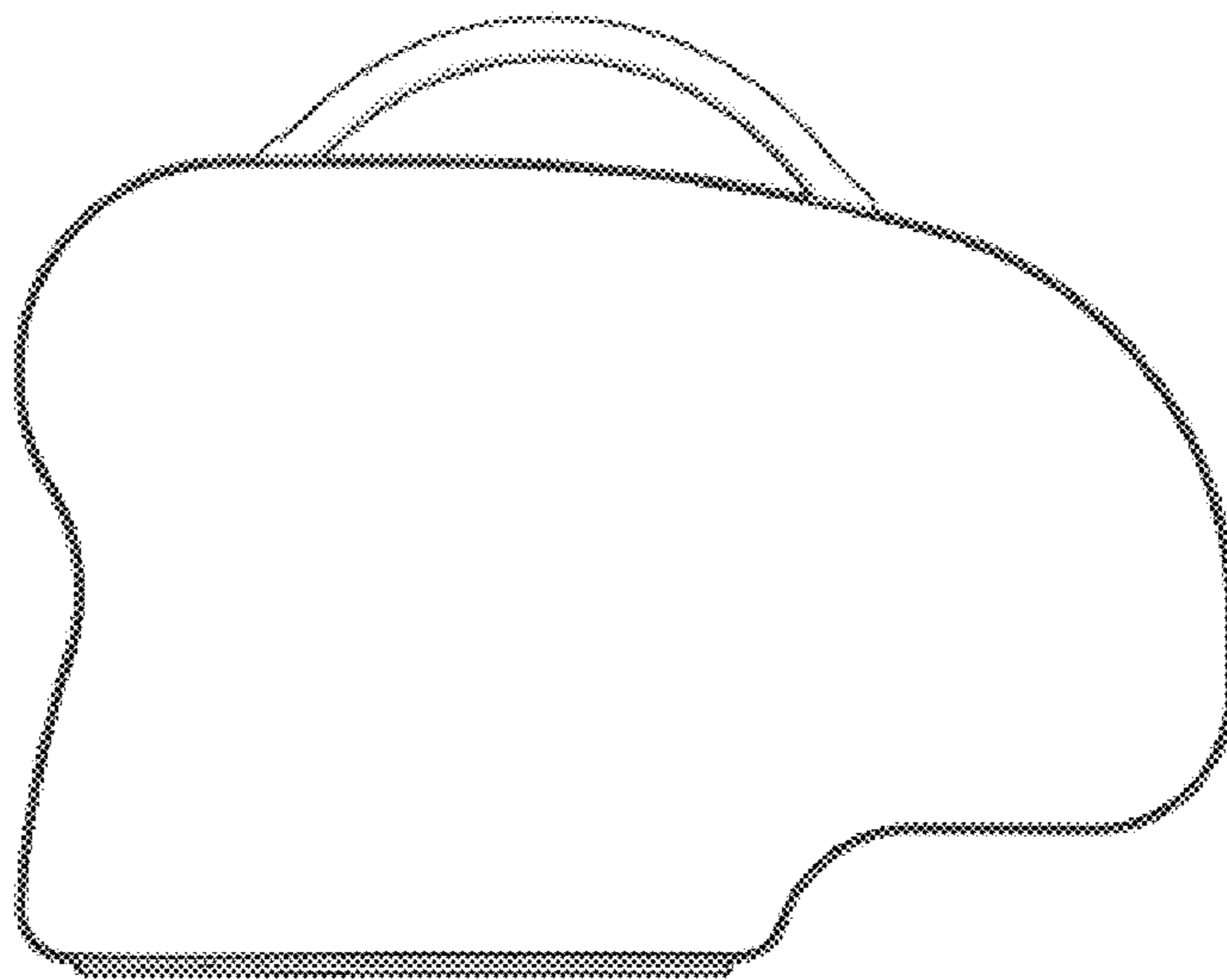


Fig. 10

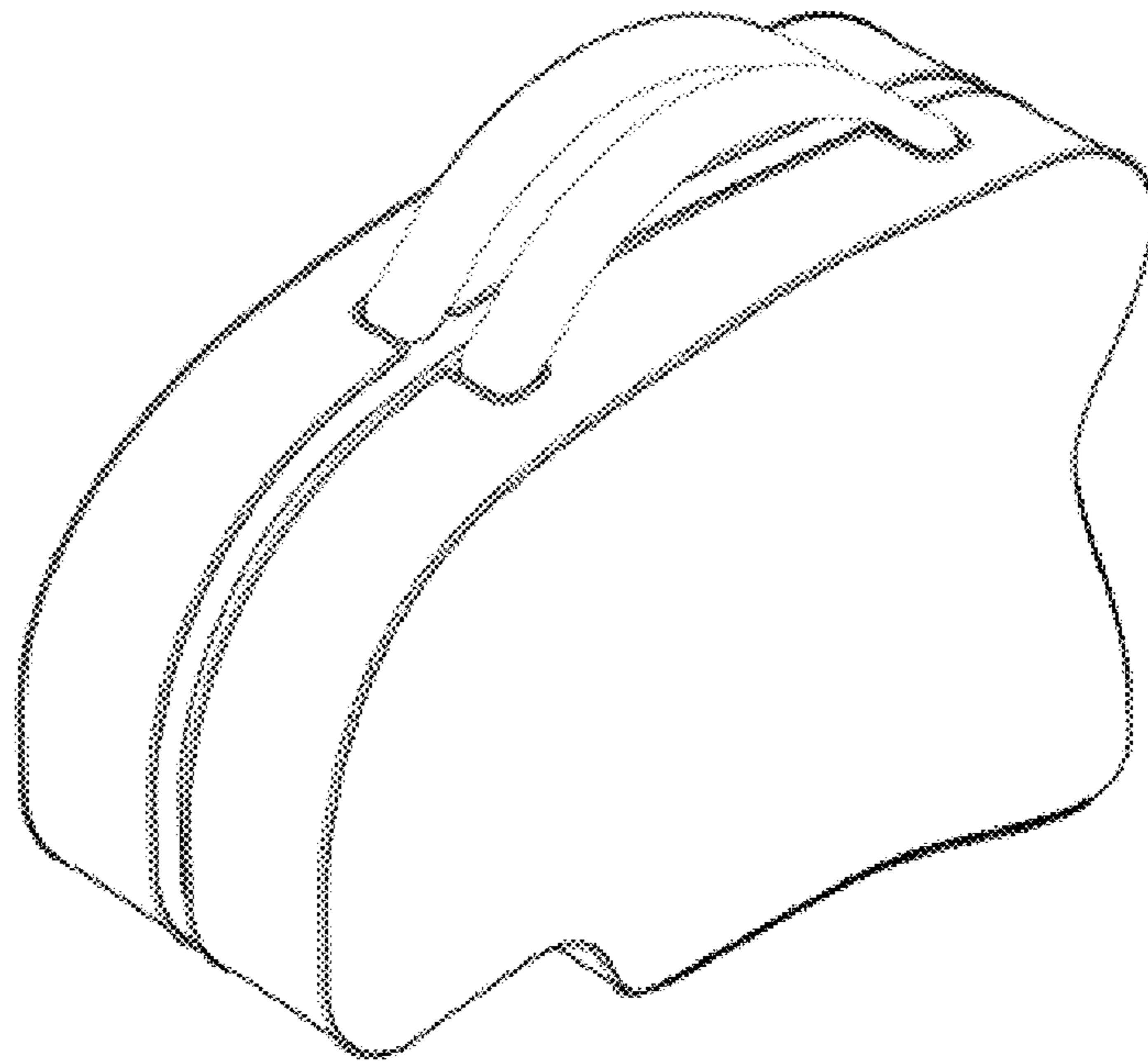


Fig. 11

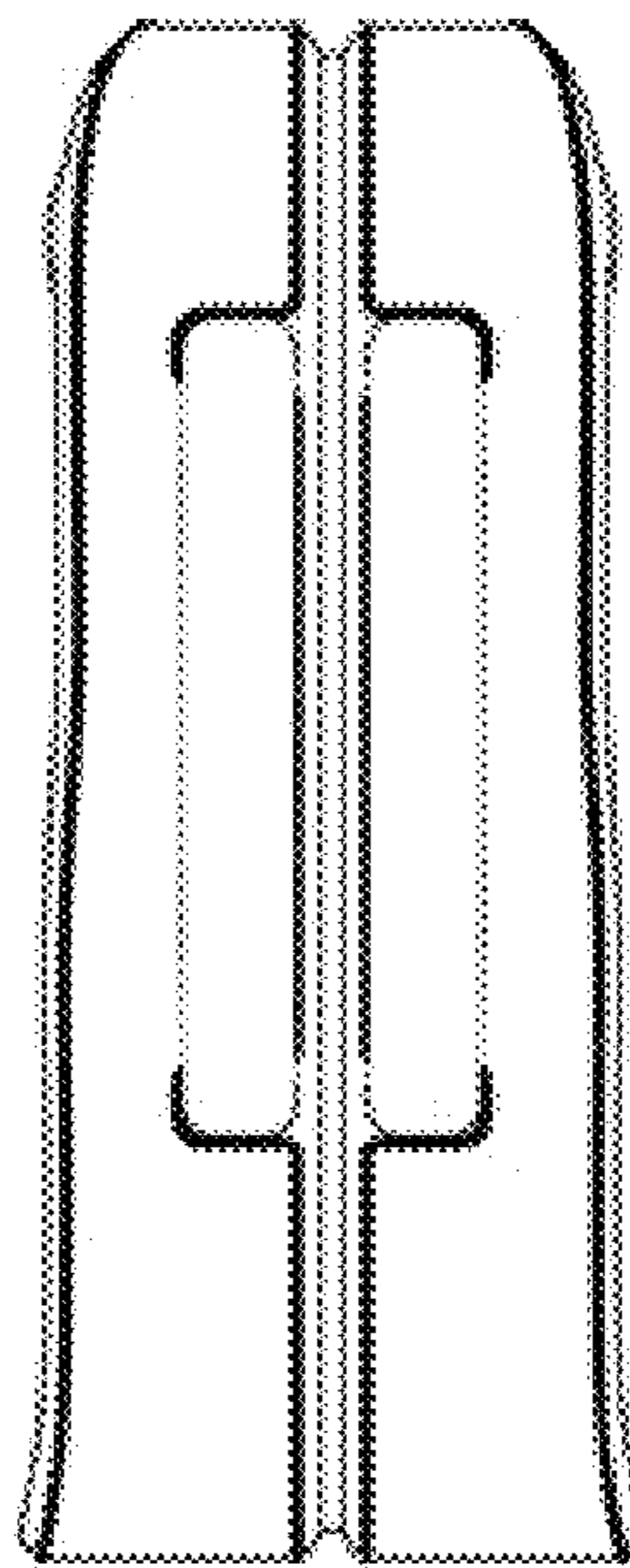


Fig. 12

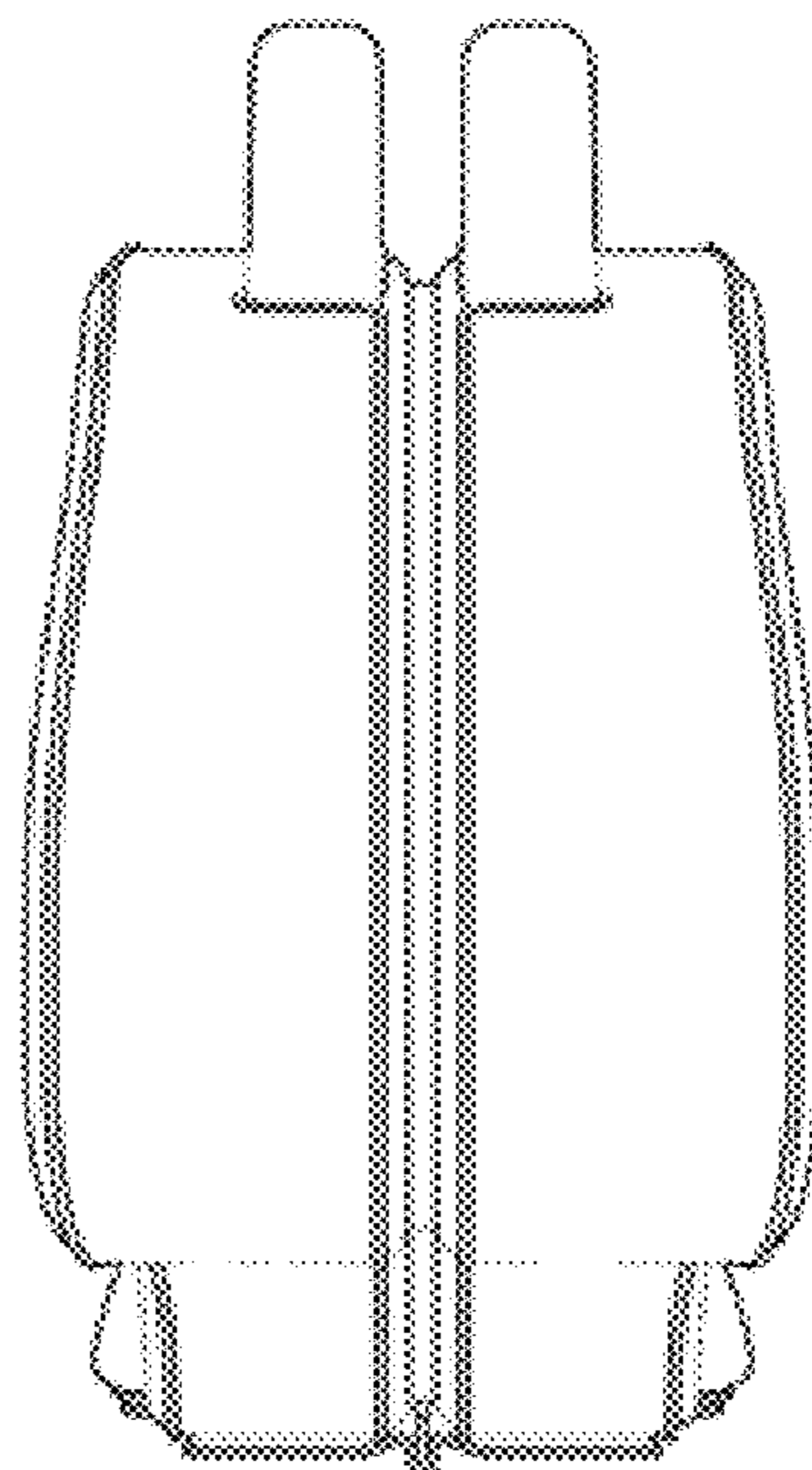


Fig. 13

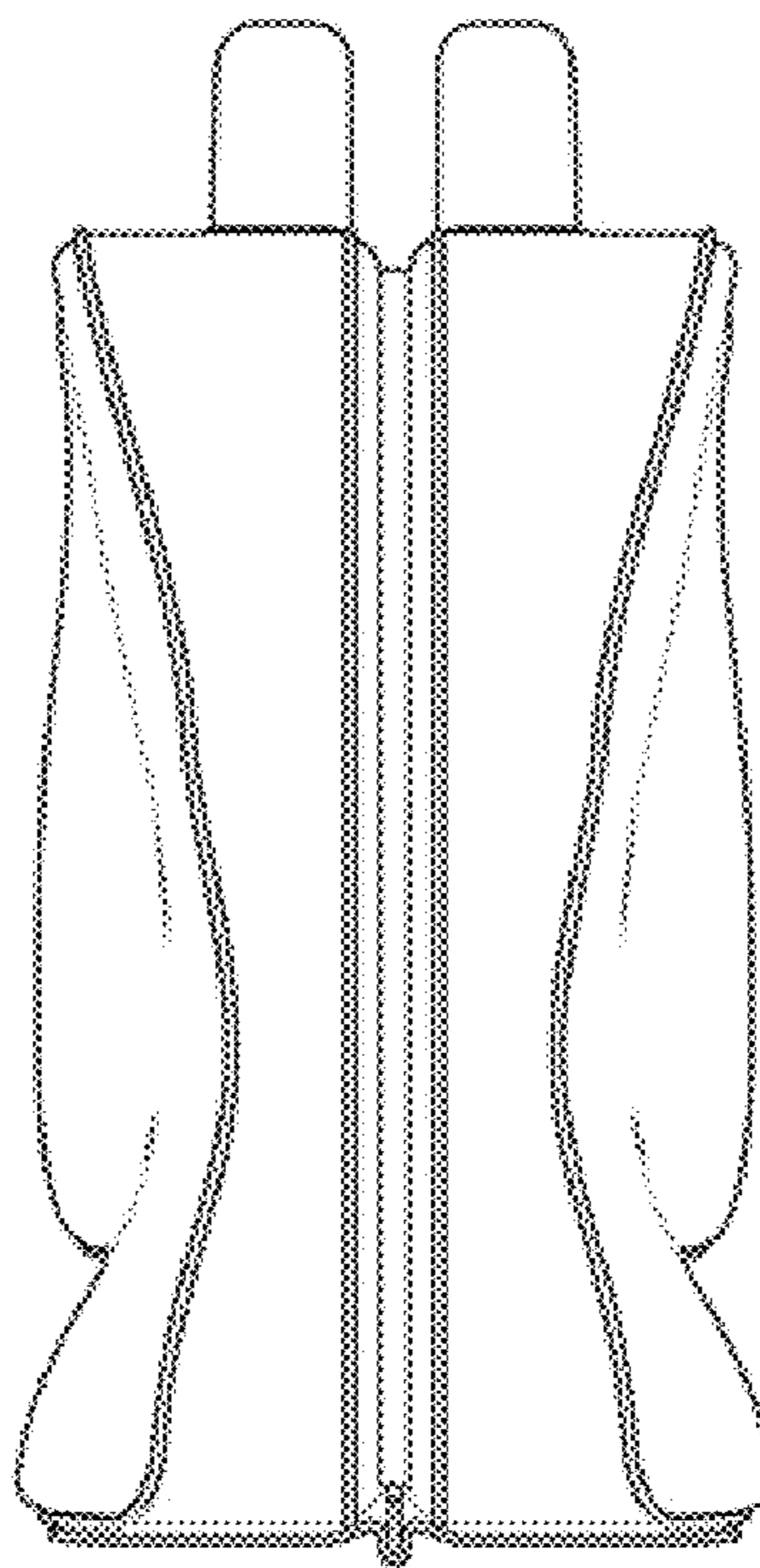


Fig. 14

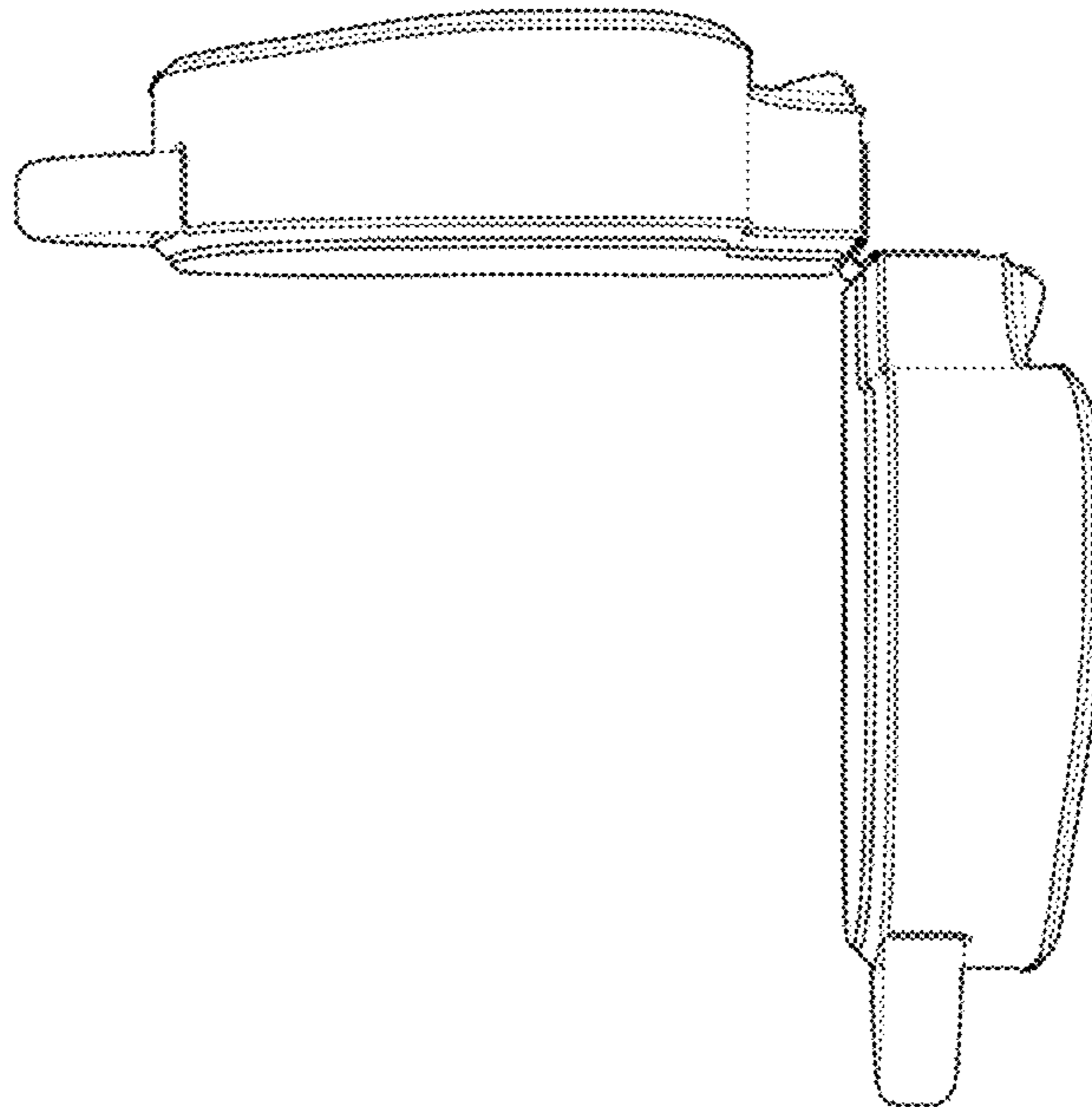


Fig. 15

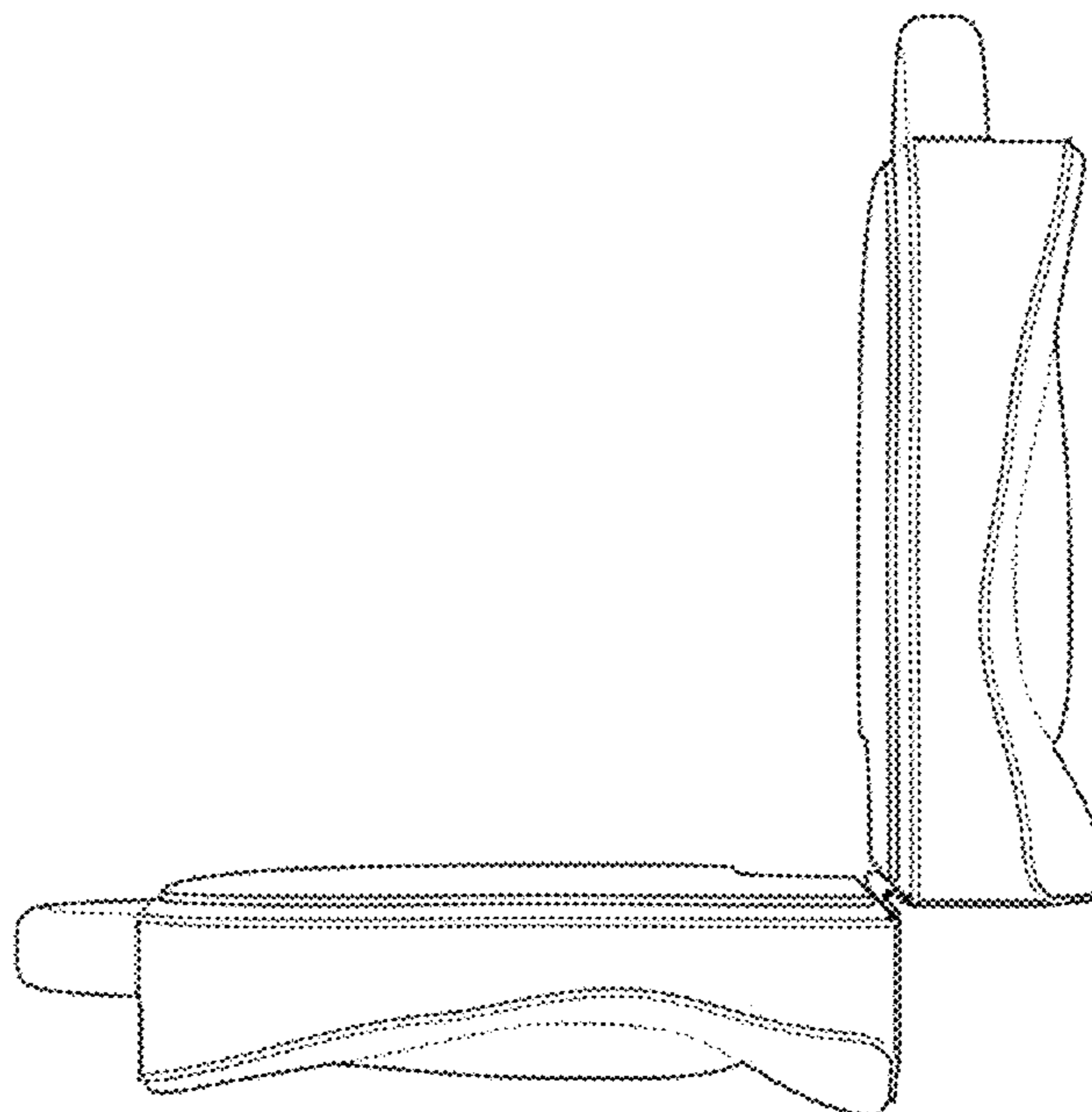


Fig. 16

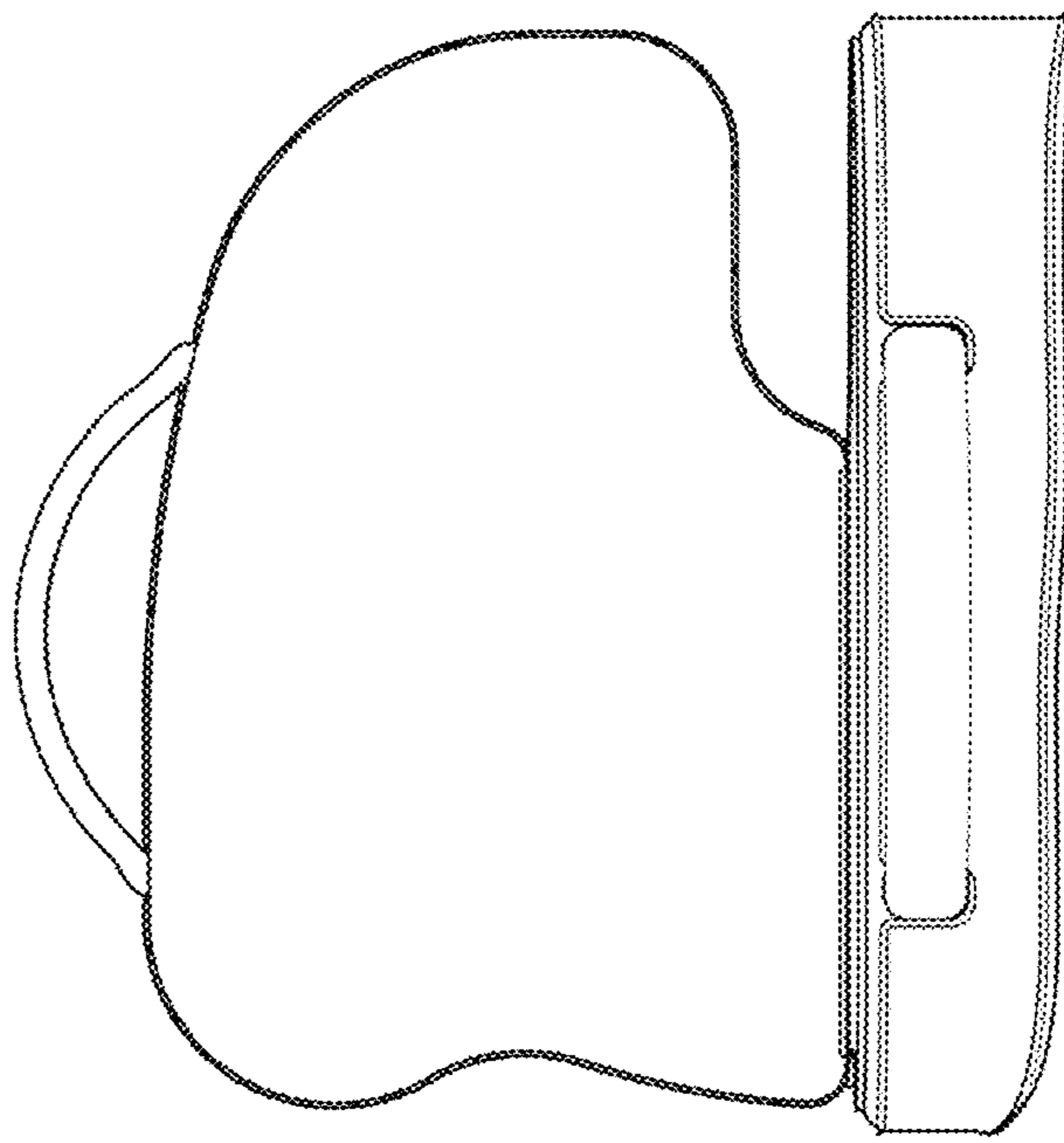


Fig. 17