



US00D896550S

(12) **United States Design Patent** (10) **Patent No.:** **US D896,550 S**  
**Cane** (45) **Date of Patent:** **\*\* Sep. 22, 2020**

(54) **ADJUSTABLE KNEE PILLOW SET**

(71) Applicant: **Jason Cane**, Mesa, AZ (US)

(72) Inventor: **Jason Cane**, Mesa, AZ (US)

(\*\*) Term: **15 Years**

(21) Appl. No.: **29/673,372**

(22) Filed: **Dec. 13, 2018**

(51) **LOC (12) Cl.** ..... **06-09**

(52) **U.S. Cl.**  
USPC ..... **D6/601**

(58) **Field of Classification Search**  
USPC ..... D6/595-601, 604, 606; D24/183, 190;  
D21/803, 809

(Continued)

(56) **References Cited**

U.S. PATENT DOCUMENTS

1,973,240 A \* 9/1934 Proudfit ..... A61G 17/04  
27/13

D347,476 S \* 5/1994 McDonald ..... D24/190  
(Continued)

OTHER PUBLICATIONS

Everlasting Comfort Pure Memory Foam Knee Pillow with Adjustable and Removable Strap—Ear Plugs Included—Leg Pillow for Sleeping by Everlasting Comfort. Product reviewed on Aug. 4, 2017. Found on Amazon.com at : <https://www.amazon.com/dp/B07995B8L1#customerReviews>.\*

*Primary Examiner* — Jennifer L Rempfer

(74) *Attorney, Agent, or Firm* — Brett A. Schenck

(57) **CLAIM**

The ornamental design for the adjustable knee pillow set, as shown and described.

**DESCRIPTION**

FIG. 1 is a top perspective view of the adjustable knee pillow set;

FIG. 2 is a front or rear view of the adjustable knee pillow set;

FIG. 3 is a right side or a left side view of the adjustable knee pillow set;

FIG. 4 is a top view of the adjustable knee pillow set;

FIG. 5 is a bottom view of the adjustable knee pillow set;

FIG. 6 is a bottom perspective view of the adjustable knee pillow set;

FIG. 7 is a top perspective view of the removable large bottom knee pillow member of the adjustable knee pillow set;

FIG. 8 is a front or a rear view of the removable large bottom knee pillow member of the adjustable knee pillow set;

FIG. 9 is a right side or a left side view of the removable large bottom knee pillow member of the adjustable knee pillow set;

FIG. 10 is a top or a bottom view of the removable large bottom knee pillow member of the adjustable knee pillow set;

FIG. 11 is a top perspective view of the removable top member of the adjustable knee pillow set;

FIG. 12 is a front or a rear view of the removable top member of the adjustable knee pillow set;

FIG. 13 is a right side or a left side view of the removable top member of the adjustable knee pillow set;

FIG. 14 is a top view of the removable top member of the adjustable knee pillow set;

FIG. 15 is a bottom view of the removable top member of the adjustable knee pillow set;

FIG. 16 is a bottom perspective view of the removable top member of the adjustable knee pillow set;

FIG. 17 is a top perspective view of the removable outer strap of the adjustable knee pillow set;

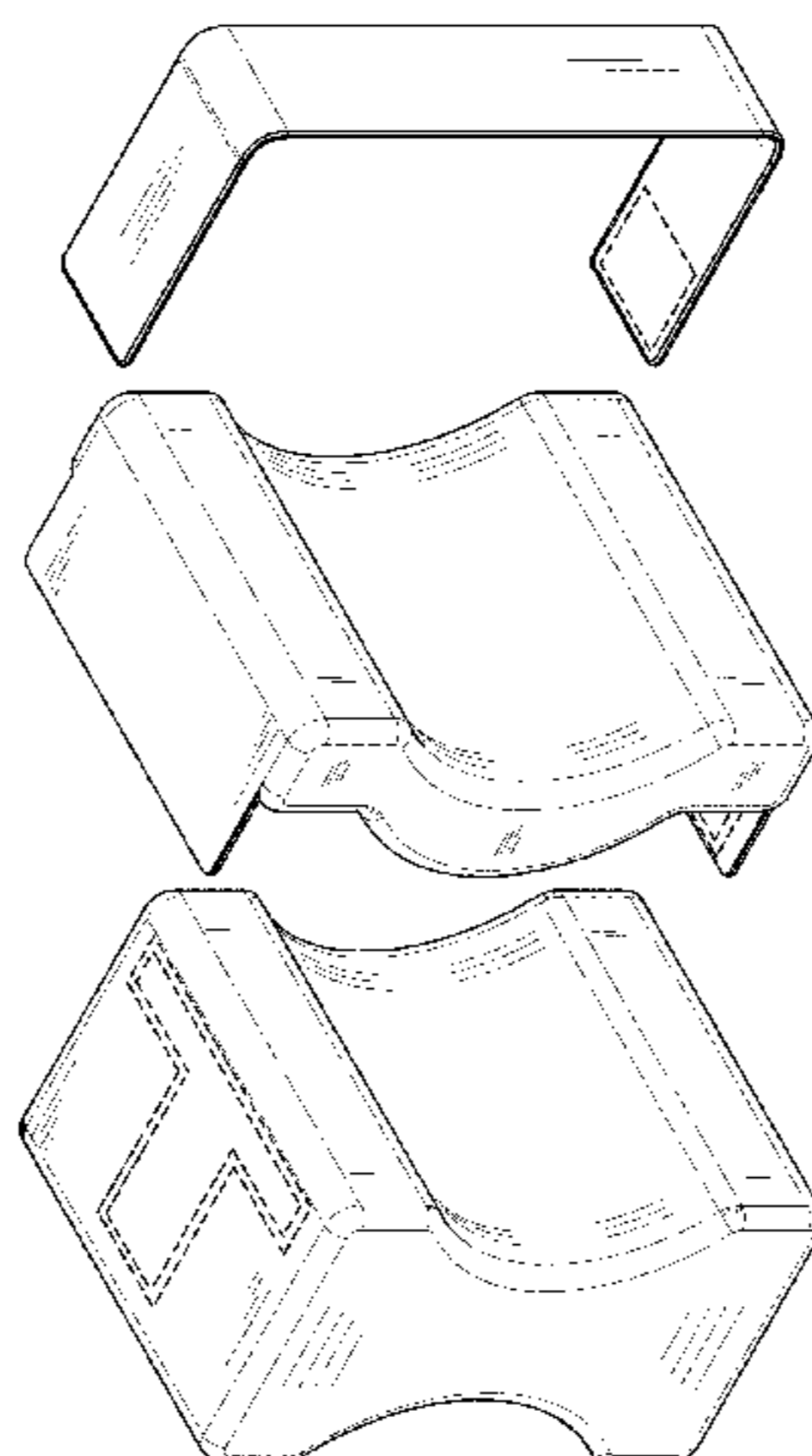
FIG. 18 is a right side or a left side view of the removable outer strap of the adjustable knee pillow set;

FIG. 19 is a top view of the removable outer strap of the adjustable knee pillow set;

FIG. 20 is a bottom view of the removable outer strap of the adjustable knee pillow set; and,

FIG. 21 is an exploded perspective view of the adjustable knee pillow set.

(Continued)



The broken lines in the figures are provided to show possible locations of attachment means between the components of the pillow set and form no part of the claimed design.

**1 Claim, 19 Drawing Sheets**

(58) **Field of Classification Search**

CPC ..... A47C 20/00; A47C 20/021; A47C 7/742;  
A47C 7/021; A47D 15/001; A47D  
15/008; A47G 9/00; A47G 9/10; B62J  
1/26

See application file for complete search history.

(56) **References Cited**

U.S. PATENT DOCUMENTS

6,179,756 B1 \* 1/2001 Bertolucci ..... A63B 21/0023  
482/131  
6,578,218 B2 \* 6/2003 Wassilefsky ..... A47C 20/021  
5/630  
D614,901 S \* 5/2010 Welch ..... D6/601  
D634,959 S \* 3/2011 McNaughton ..... D6/601  
D639,101 S \* 6/2011 Kalatsky ..... D6/601  
D733,462 S \* 7/2015 Pellegrini ..... D6/601  
D778,526 S \* 2/2017 Martin ..... D1/199  
D848,106 S \* 5/2019 Michel ..... D1/100  
10,602,850 B2 \* 3/2020 Green ..... A61G 13/1235  
2001/0027577 A1 \* 10/2001 Frydman ..... A47C 20/021  
5/648  
2008/0092297 A1 \* 4/2008 Davis ..... A47C 20/021  
5/648

\* cited by examiner

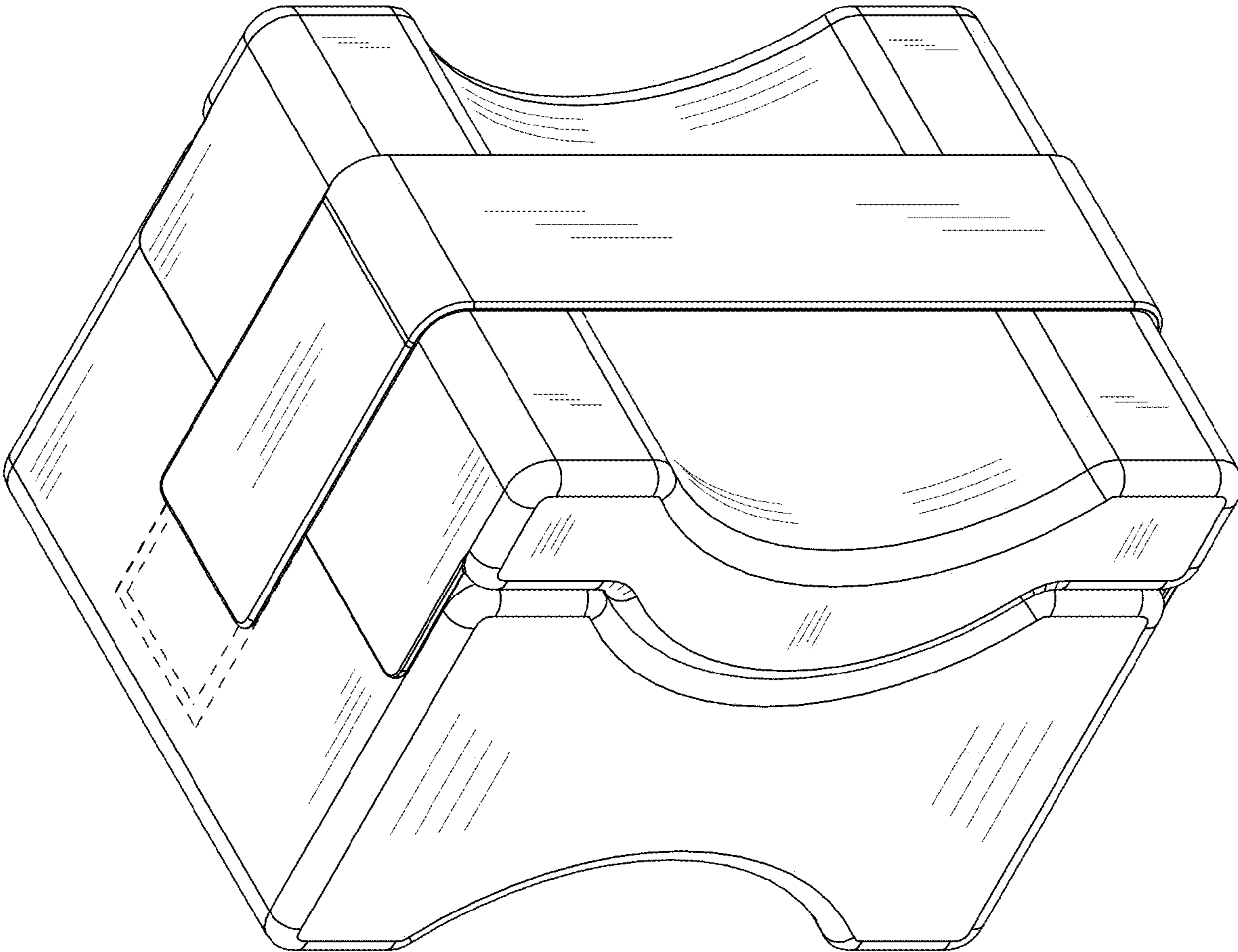


FIG. 1

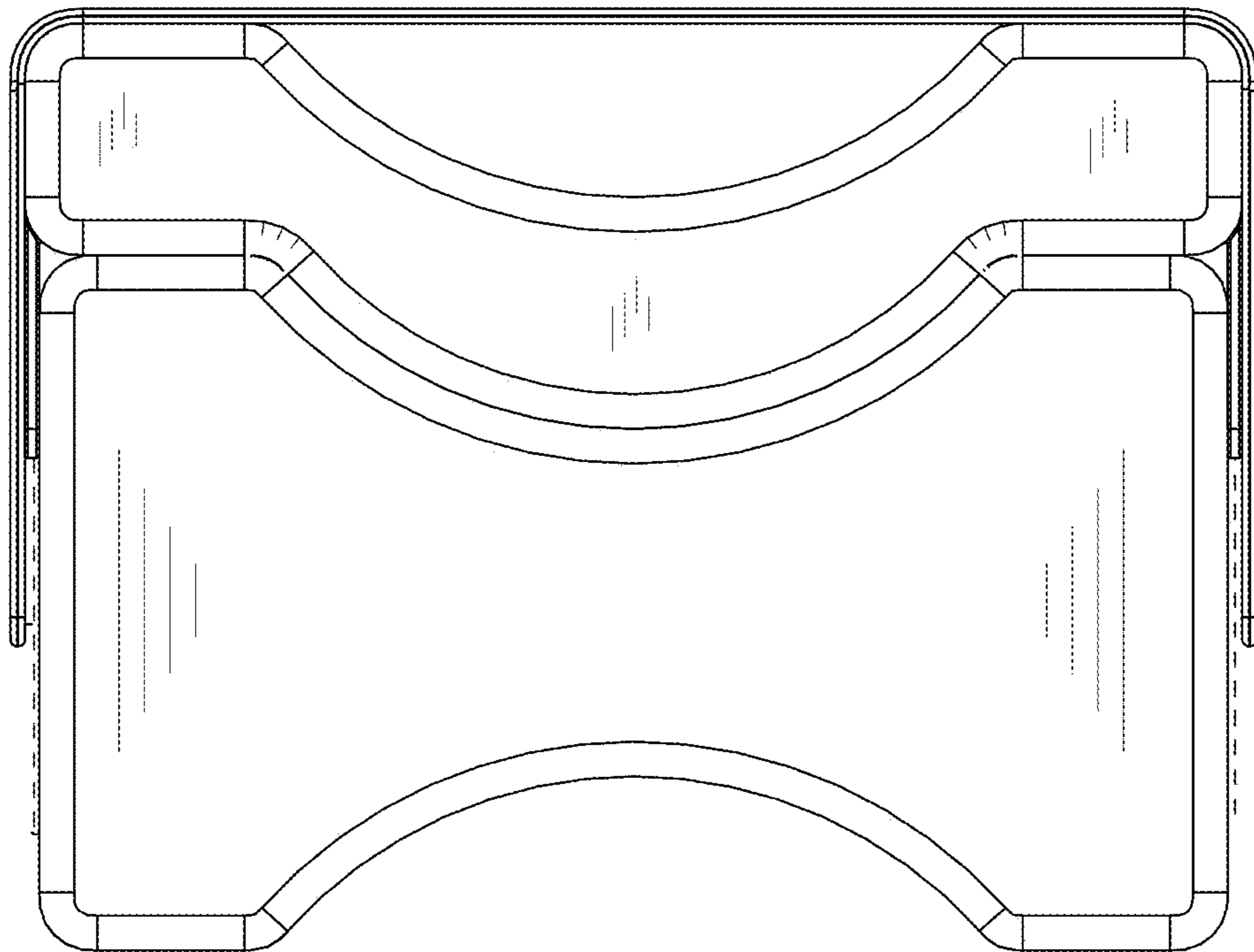


FIG. 2

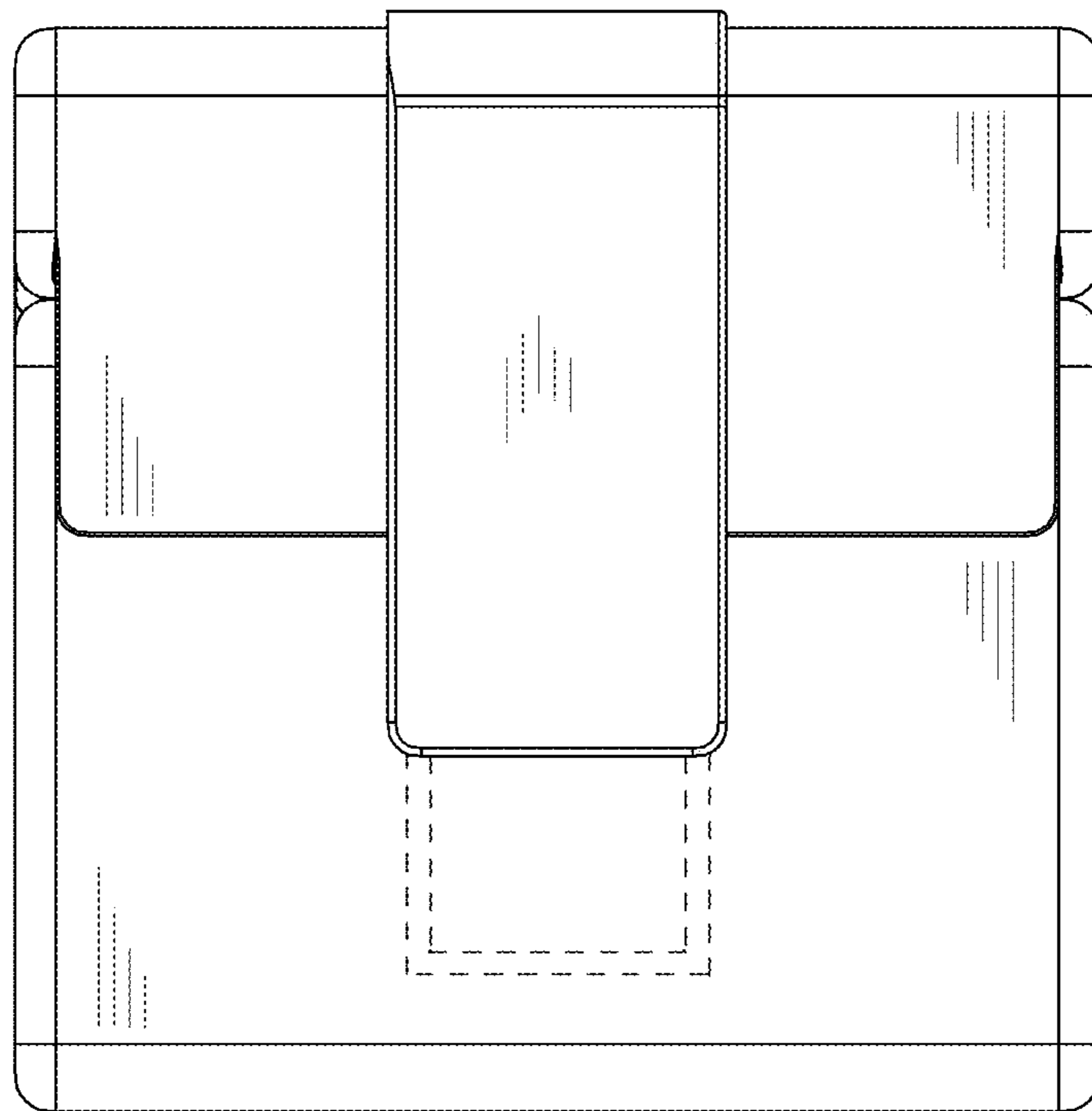


FIG. 3

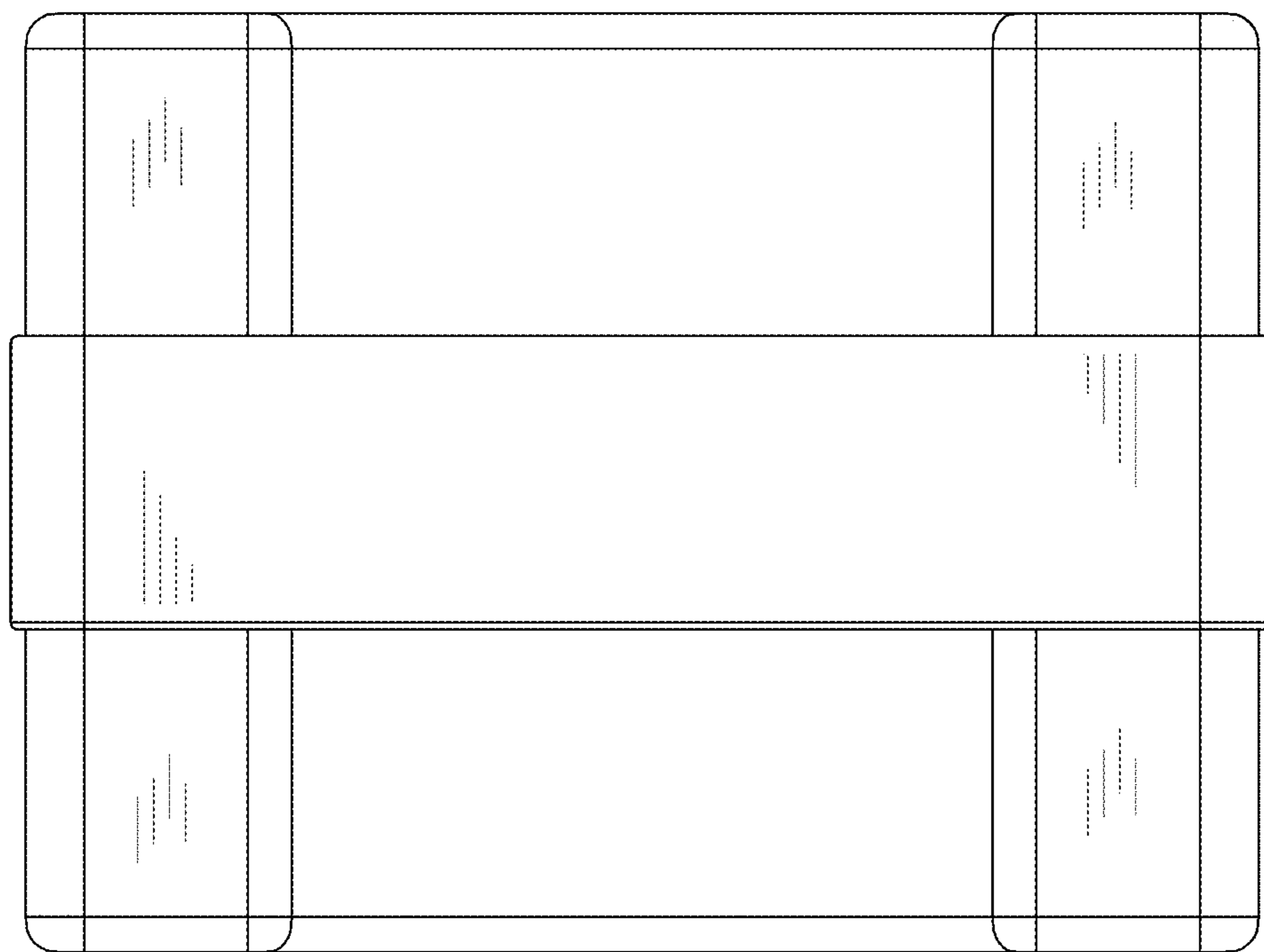


FIG. 4

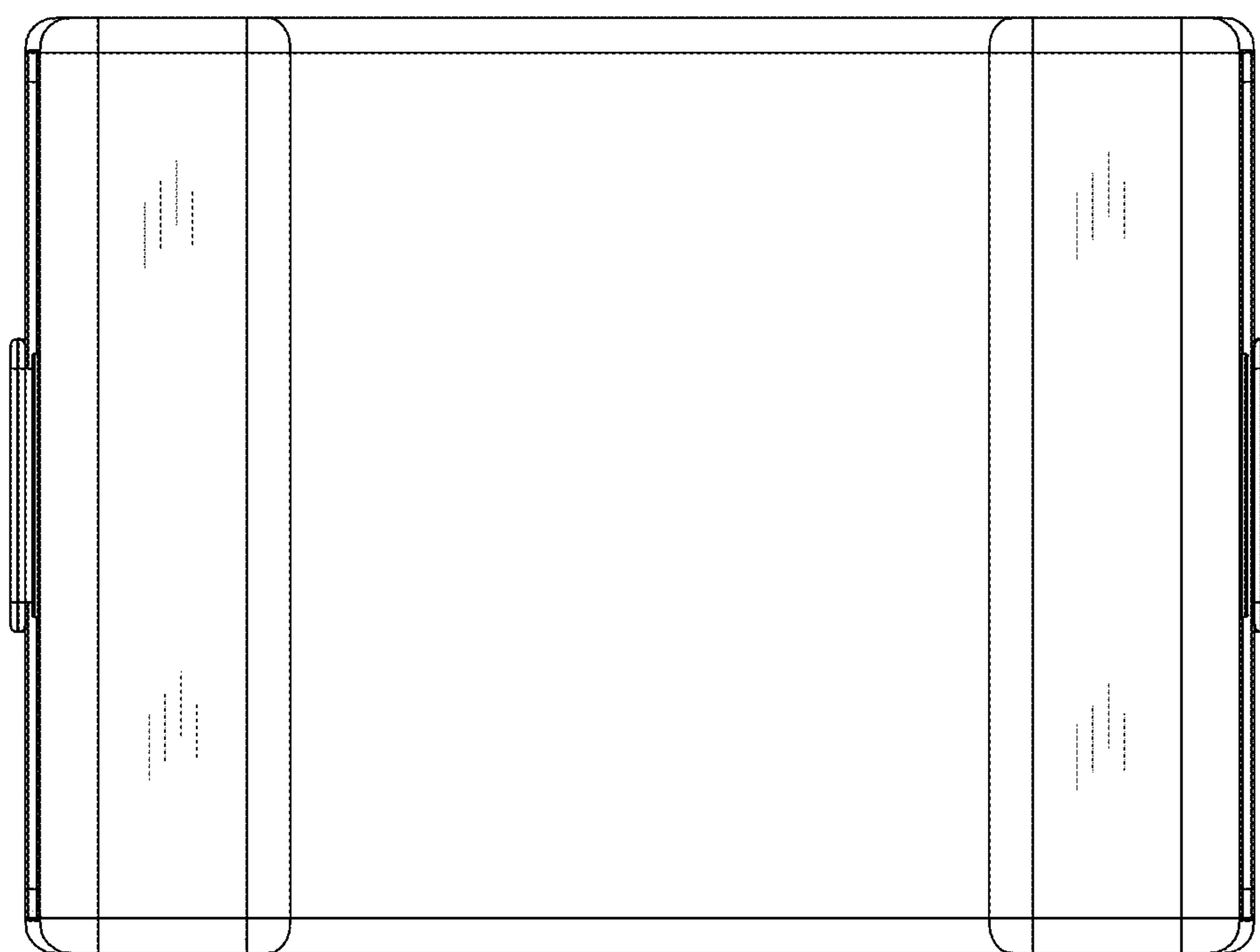


FIG. 5

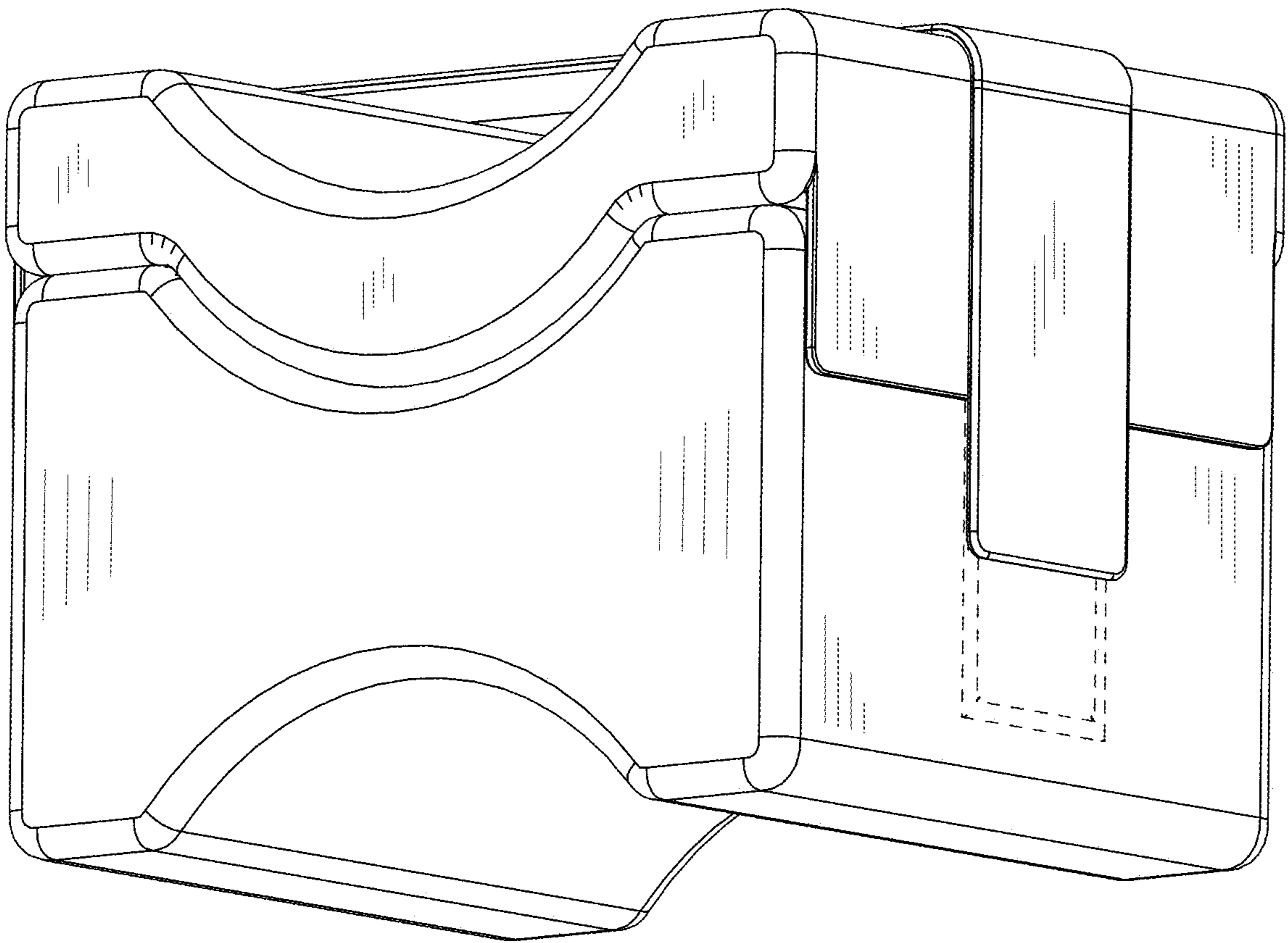


FIG. 6



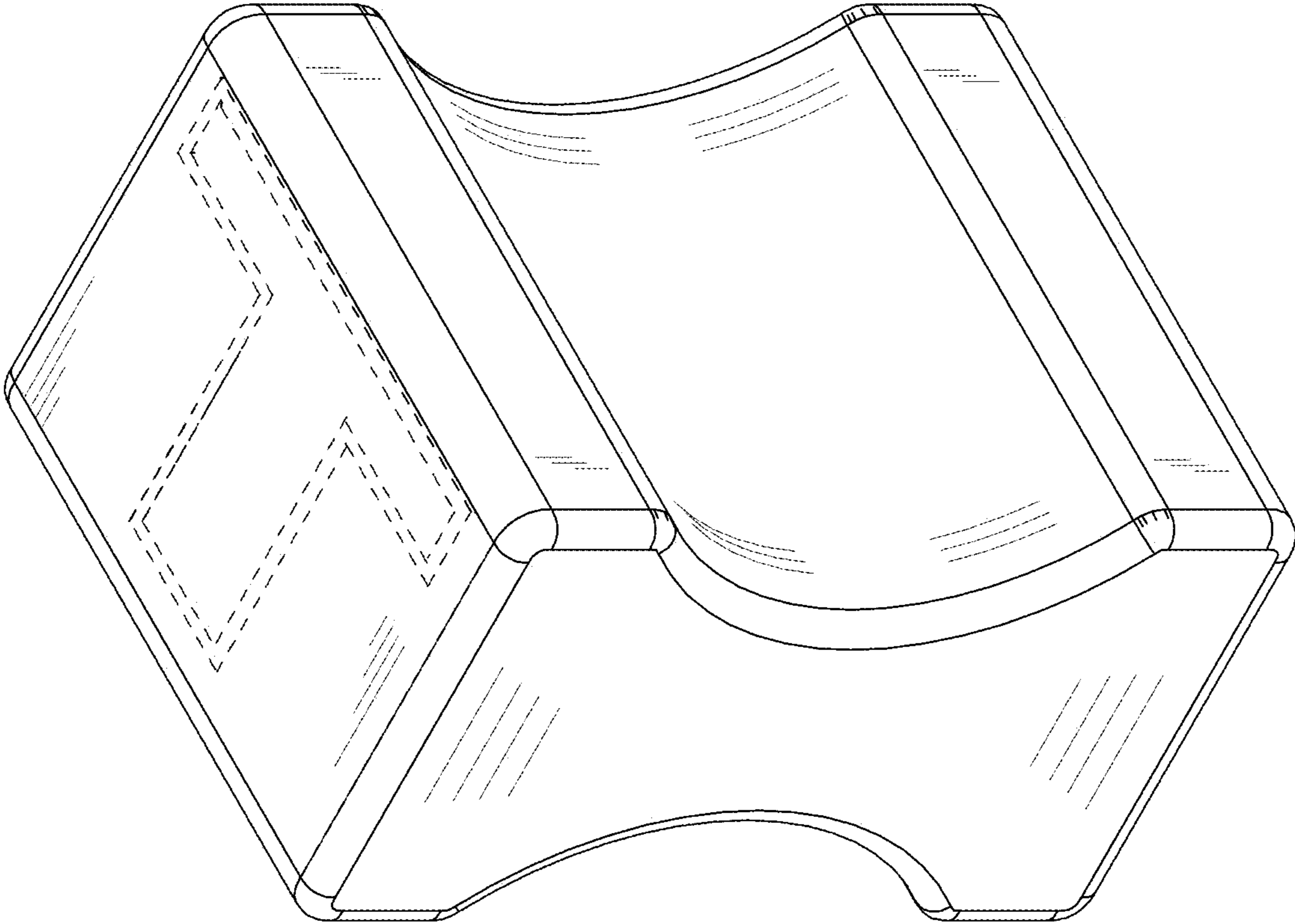


FIG. 7

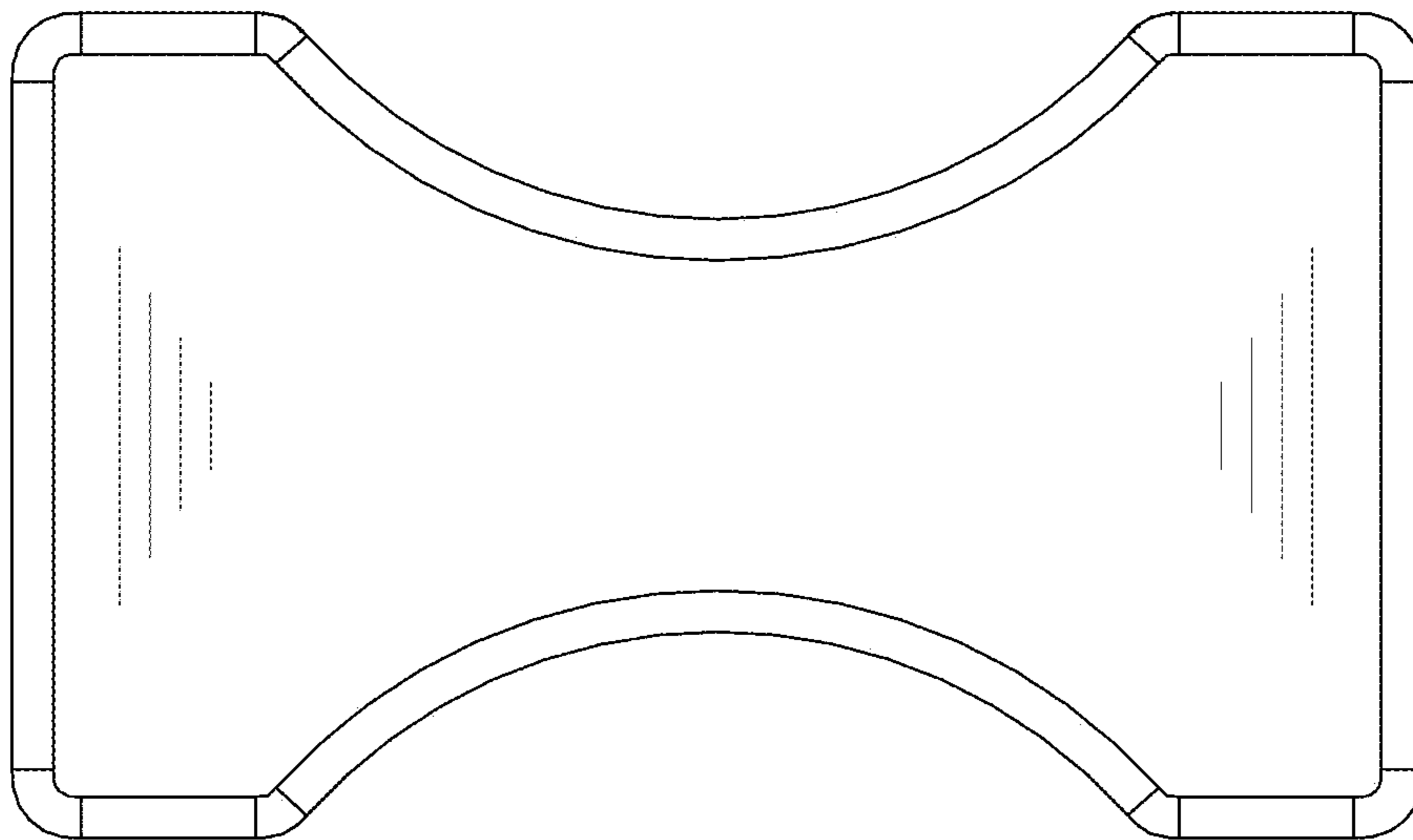


FIG. 8

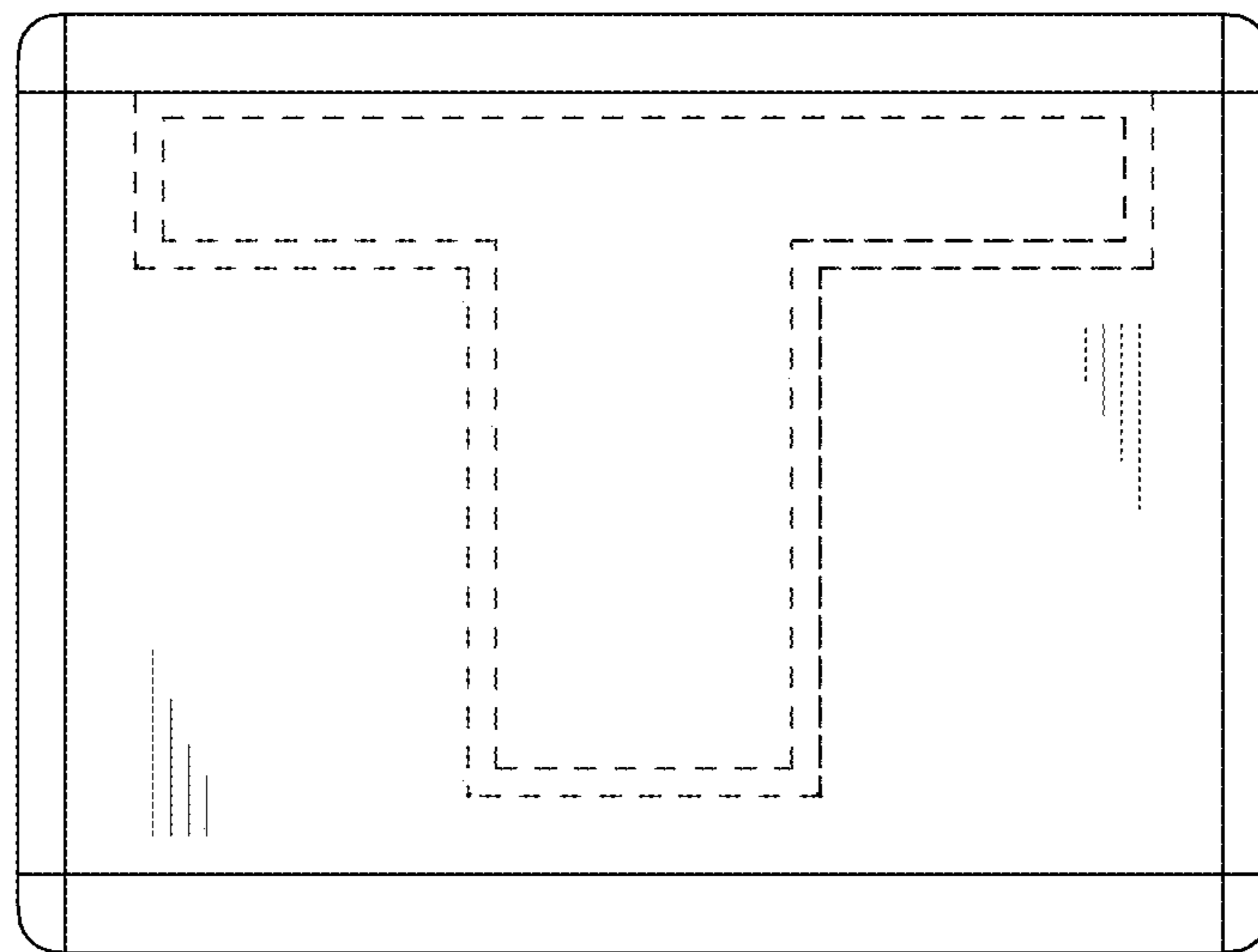


FIG. 9

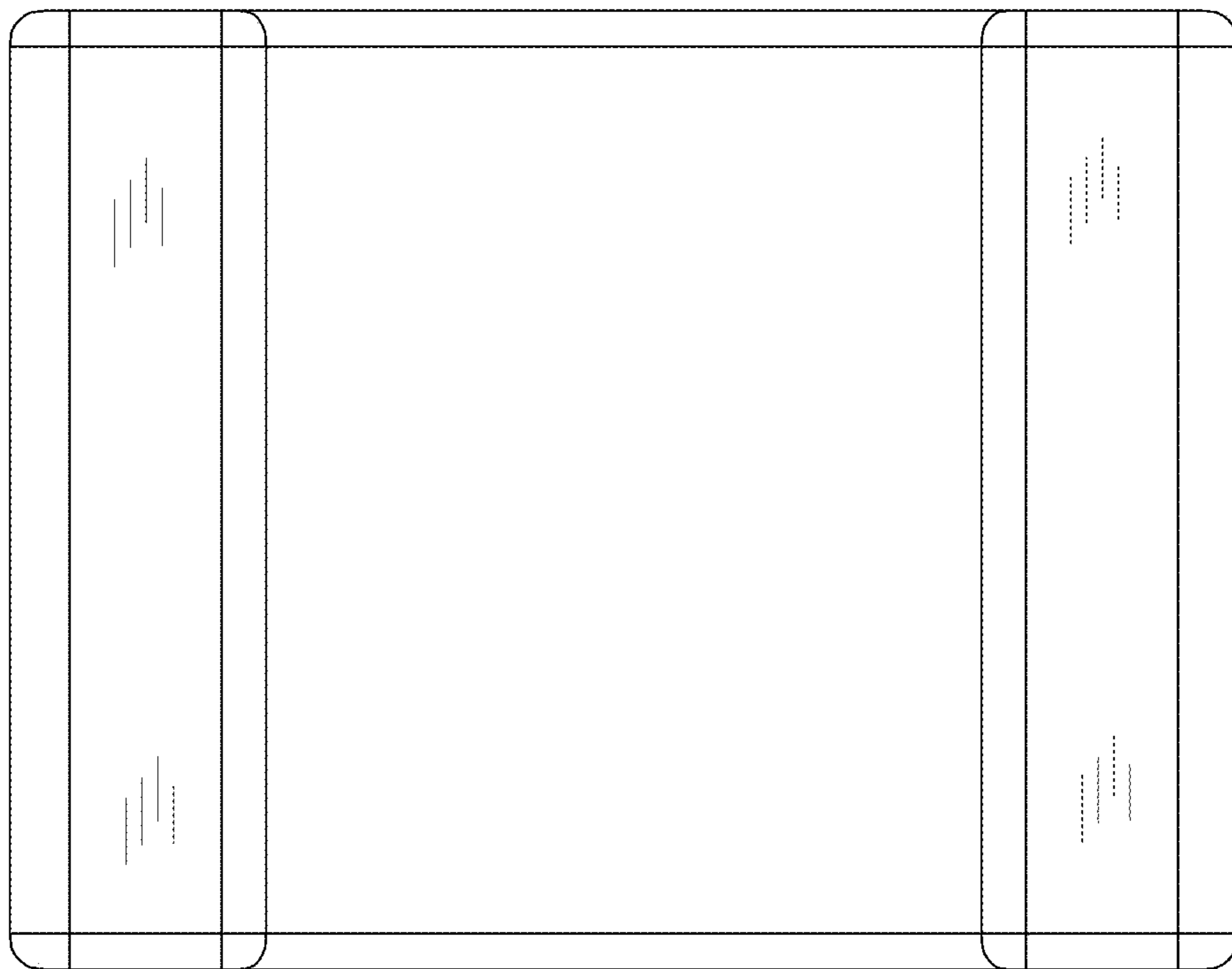


FIG. 10

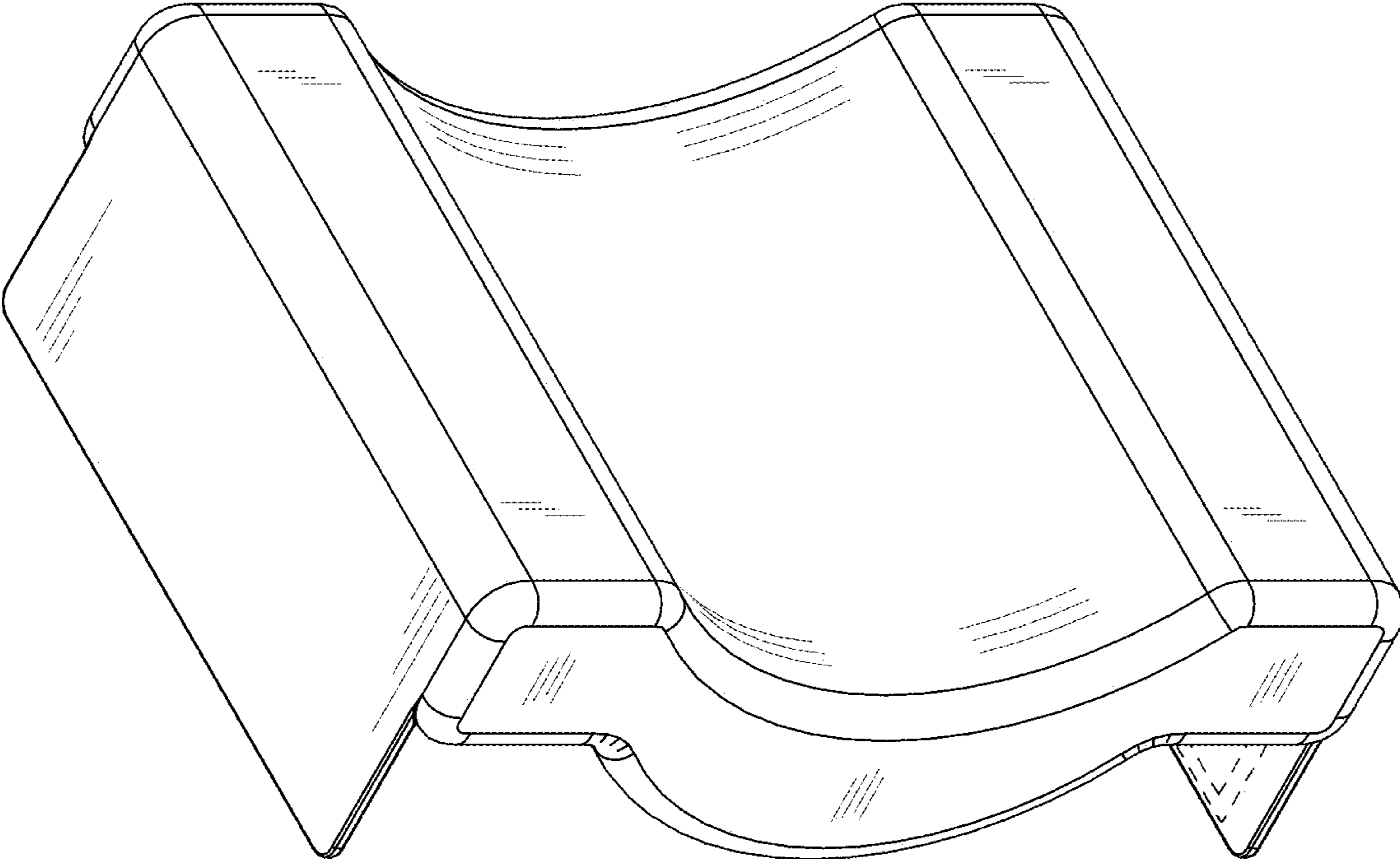


FIG. 11

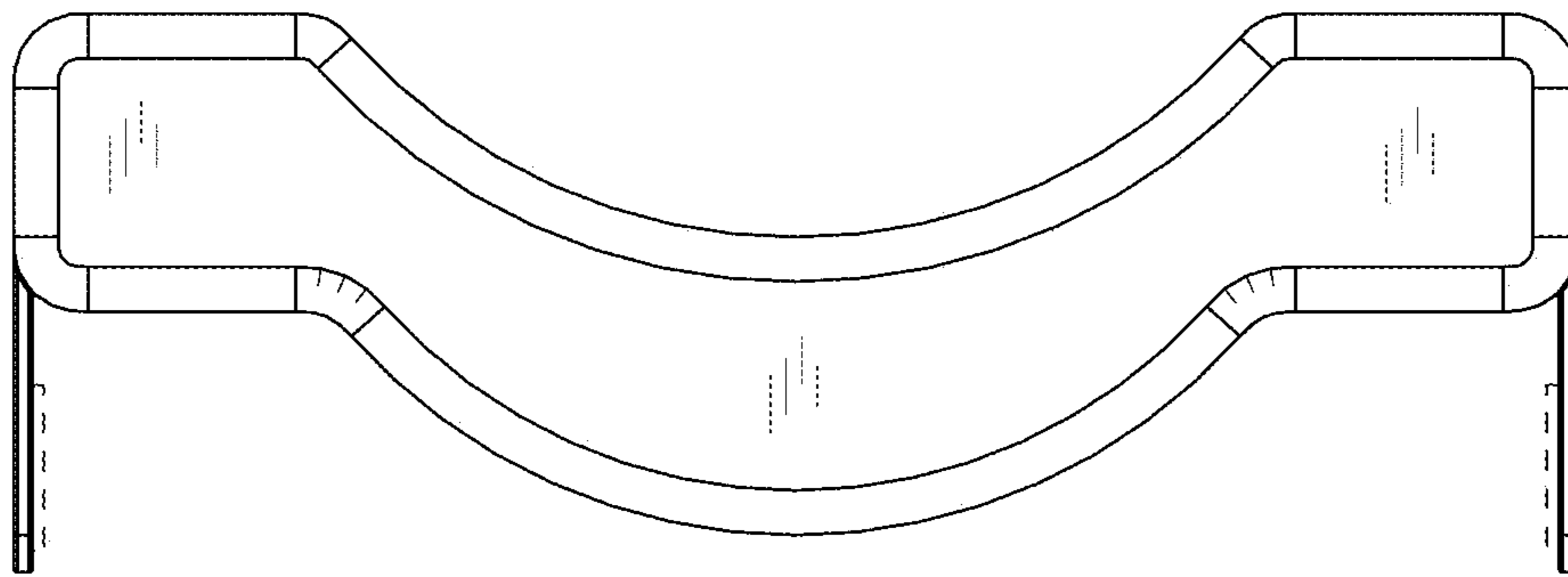


FIG. 12

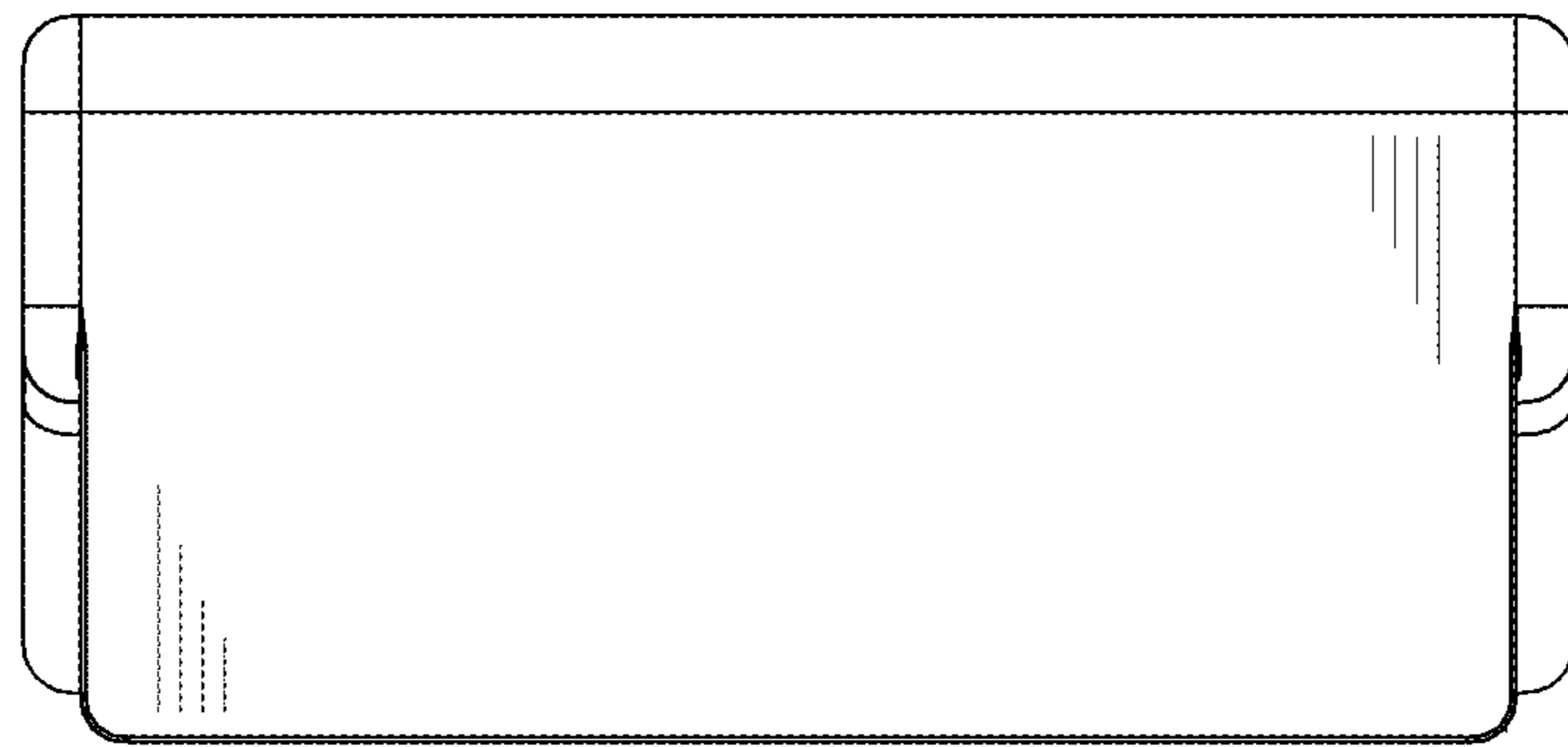


FIG. 13

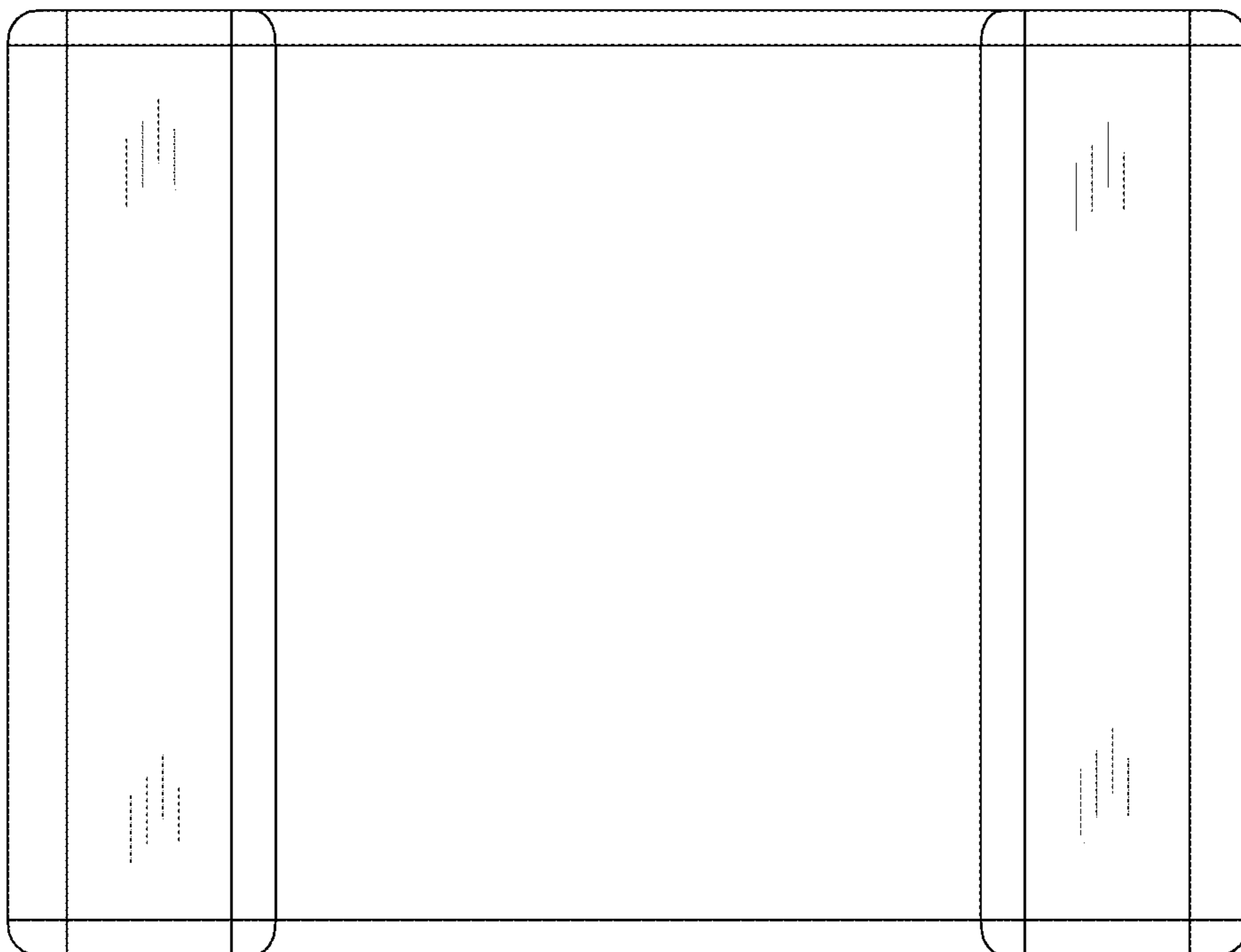


FIG. 14



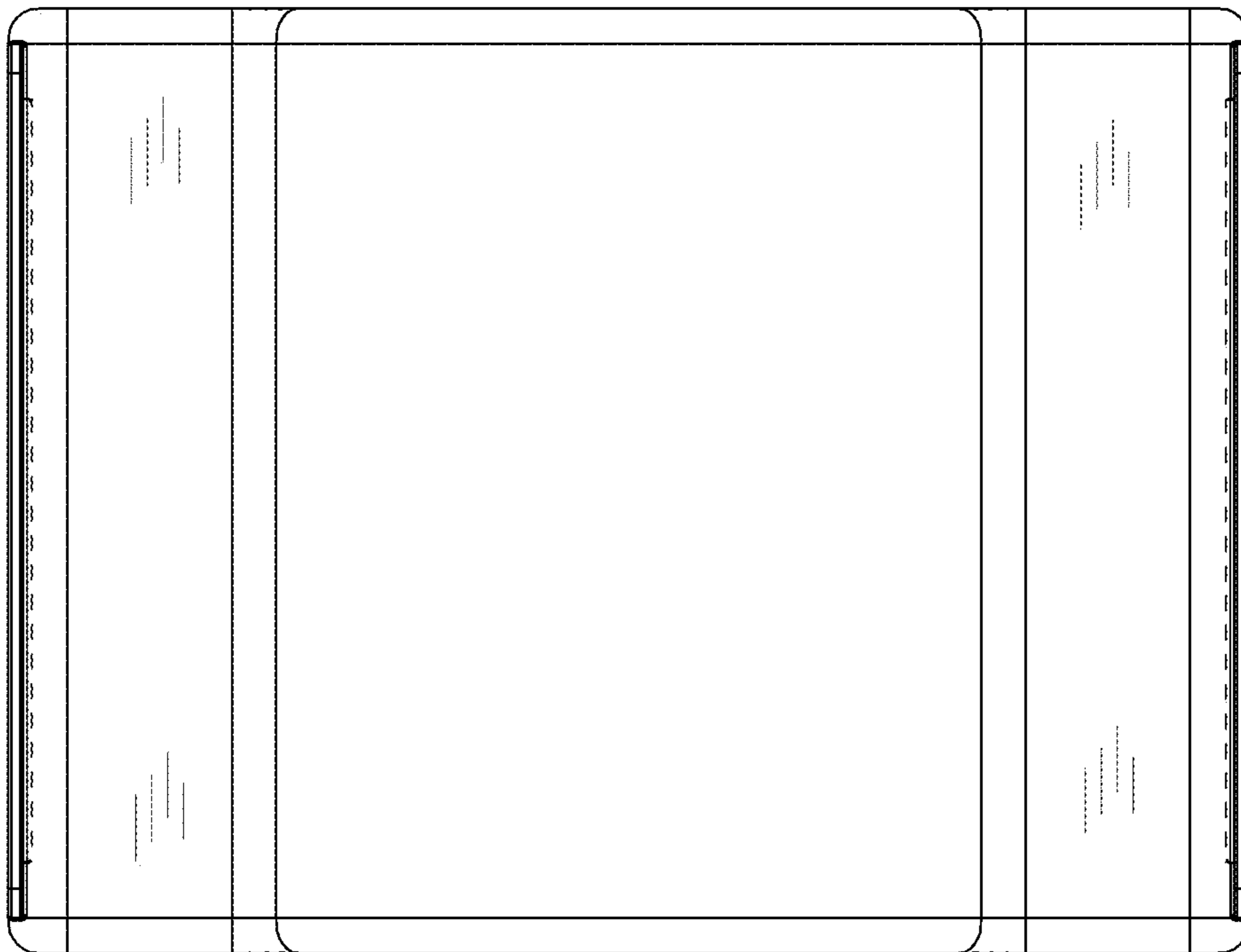


FIG. 15

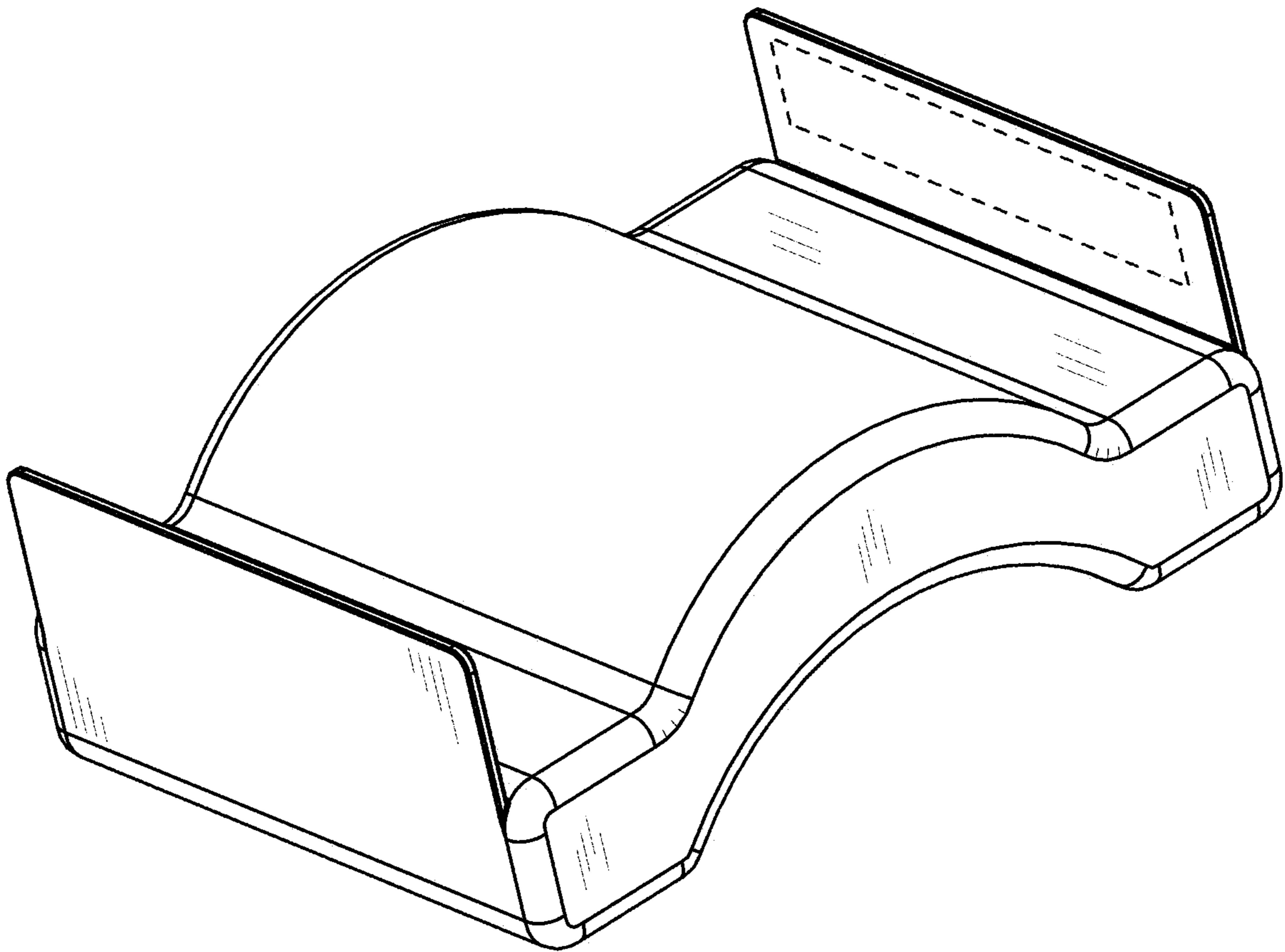


FIG. 16

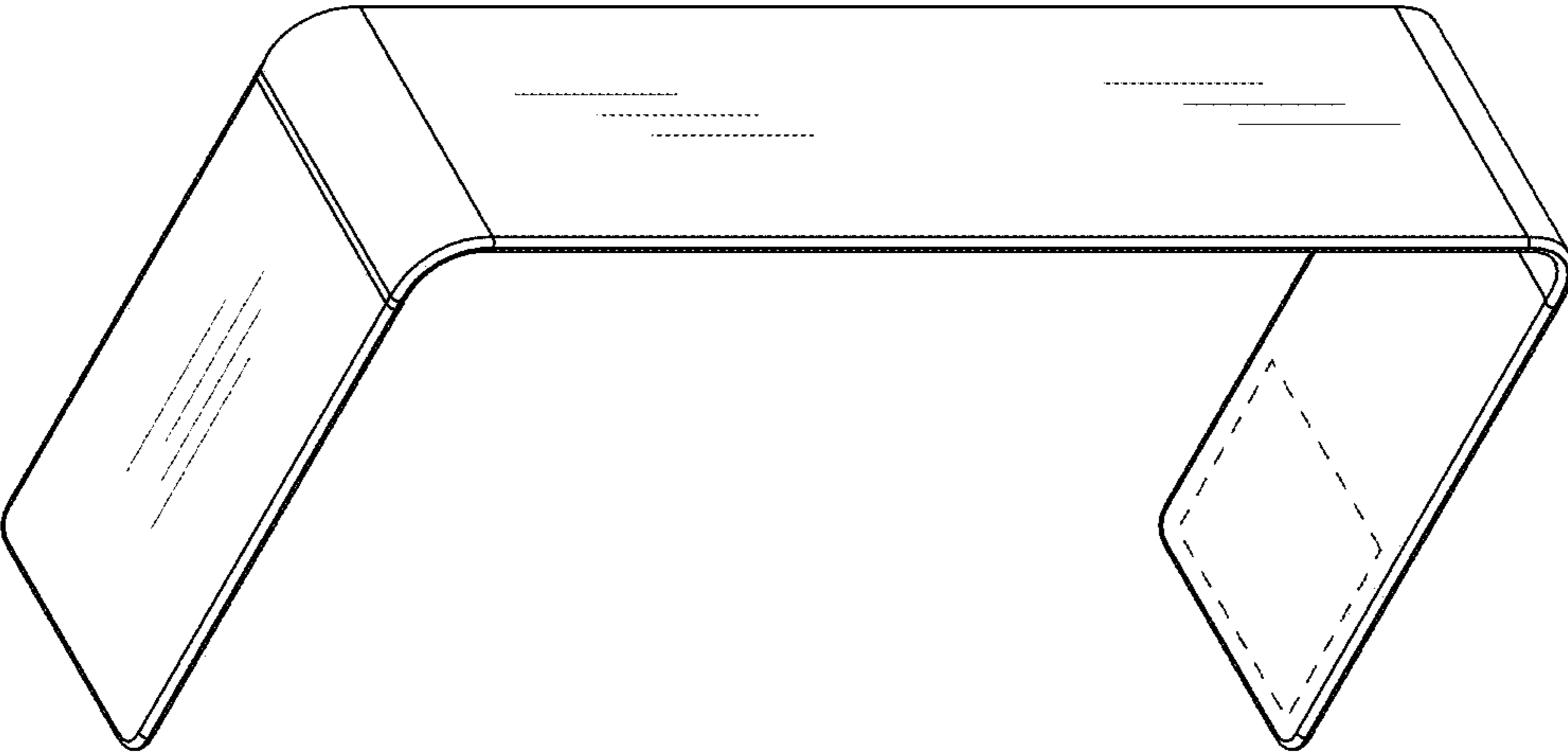


FIG. 17

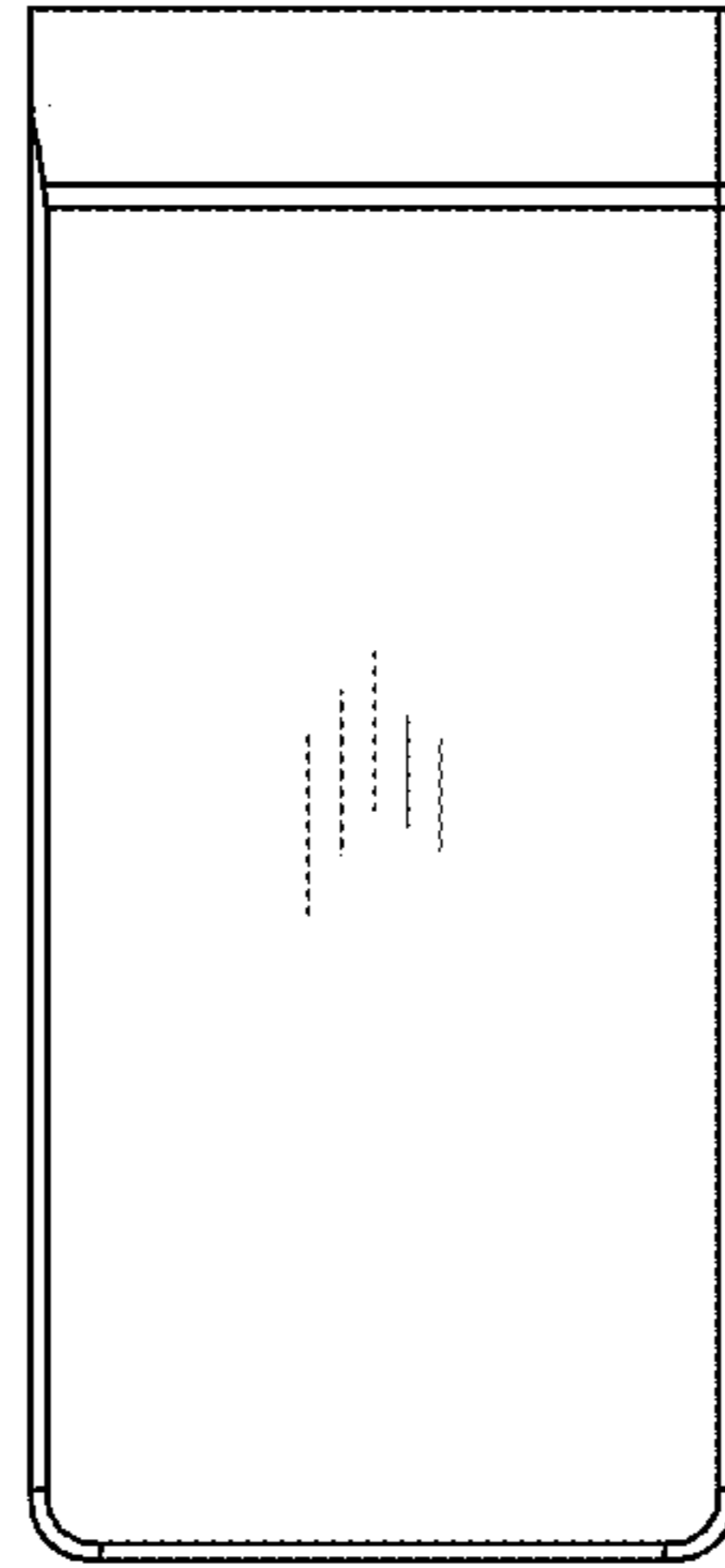


FIG. 18

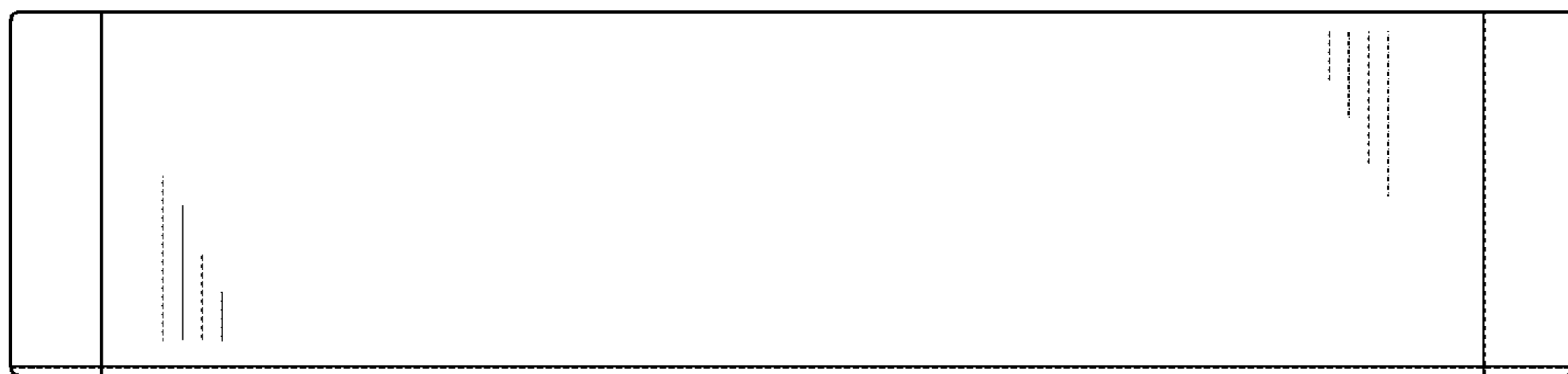


FIG. 19

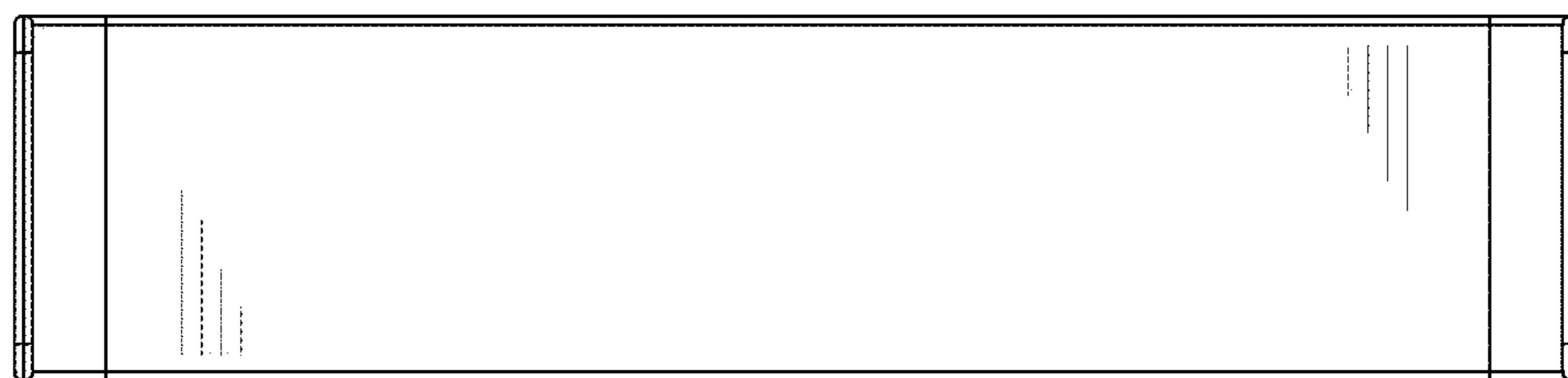


FIG. 20

