



US00D896548S

(12) **United States Design Patent**  
**Harrott**

(10) **Patent No.:** **US D896,548 S**

(45) **Date of Patent:** **\*\* Sep. 22, 2020**

(54) **TRIPILLOW**

(71) Applicant: **Anneice D. Harrott**, Anaheim, CA  
(US)

(72) Inventor: **Anneice D. Harrott**, Anaheim, CA  
(US)

(\*\*) Term: **15 Years**

(21) Appl. No.: **29/660,440**

(22) Filed: **Aug. 21, 2018**

(51) **LOC (12) Cl.** ..... **06-09**

(52) **U.S. Cl.**

USPC ..... **D6/601**

(58) **Field of Classification Search**

USPC ..... D6/601, 382, 383; D24/183, 191, 190

CPC ..... A47C 7/383; A47C 16/005; A47C 20/00;

A47C 20/02; A47C 20/027; A47C 20/04;

A47C 20/021; A47G 2009/1018; A47G

9/10; A47G 9/1081; A47G 9/0253; A47G

9/1045; A47G 9/1072; A47G 9/109;

A61G 7/072; A61G 13/121; A61G

13/1225; A61G 13/122; A61G 7/075;

A41D 13/06

See application file for complete search history.

(56) **References Cited**

**U.S. PATENT DOCUMENTS**

1,447,288 A \* 3/1923 Emmerich ..... A47G 9/10  
5/645

2,667,915 A \* 2/1954 Pfeffer ..... A47G 9/10  
5/636

3,540,776 A \* 11/1970 Wilson ..... A47C 4/54  
297/253

3,761,131 A \* 9/1973 Oliver ..... A47C 7/18  
297/452.16

4,194,254 A \* 3/1980 Torrez ..... A47C 3/16  
297/452.16

4,685,163 A \* 8/1987 Quillen ..... A47C 20/048  
5/421

D296,348 S \* 6/1988 Terrien ..... D21/809

D300,694 S \* 4/1989 Krok ..... 5/655

D349,146 S \* 7/1994 Mahler ..... D21/809

5,383,711 A \* 1/1995 Houghteling ..... A47D 15/006  
297/397

5,829,829 A \* 11/1998 Celestina-Krevh .....  
B60N 2/2851  
297/219.12

D446,675 S \* 8/2001 Straub ..... A47D 13/08  
5/655

D459,136 S \* 6/2002 Norman ..... D6/333

D467,458 S \* 12/2002 Norman ..... D6/611

6,641,220 B2 \* 11/2003 Clegg ..... A47C 7/383  
297/397

6,691,352 B2 \* 2/2004 Wang ..... A47G 9/10  
5/636

6,814,405 B2 \* 11/2004 Norman ..... B60N 2/2881  
297/219.12

7,086,703 B1 \* 8/2006 Jones ..... B60R 22/14  
297/464

(Continued)

*Primary Examiner* — Kimberly Barnes

(57) **CLAIM**

The ornamental design for a tripillow, as shown and described.

**DESCRIPTION**

FIG. 1 is a front, left side perspective view of a tripillow showing my new design.

FIG. 2 is a front view of a tripillow as shown in FIG. 1.

FIG. 3 is a back view of a tripillow as shown in FIG. 1.

FIG. 4 is a top view of a tripillow as shown in FIG. 1.

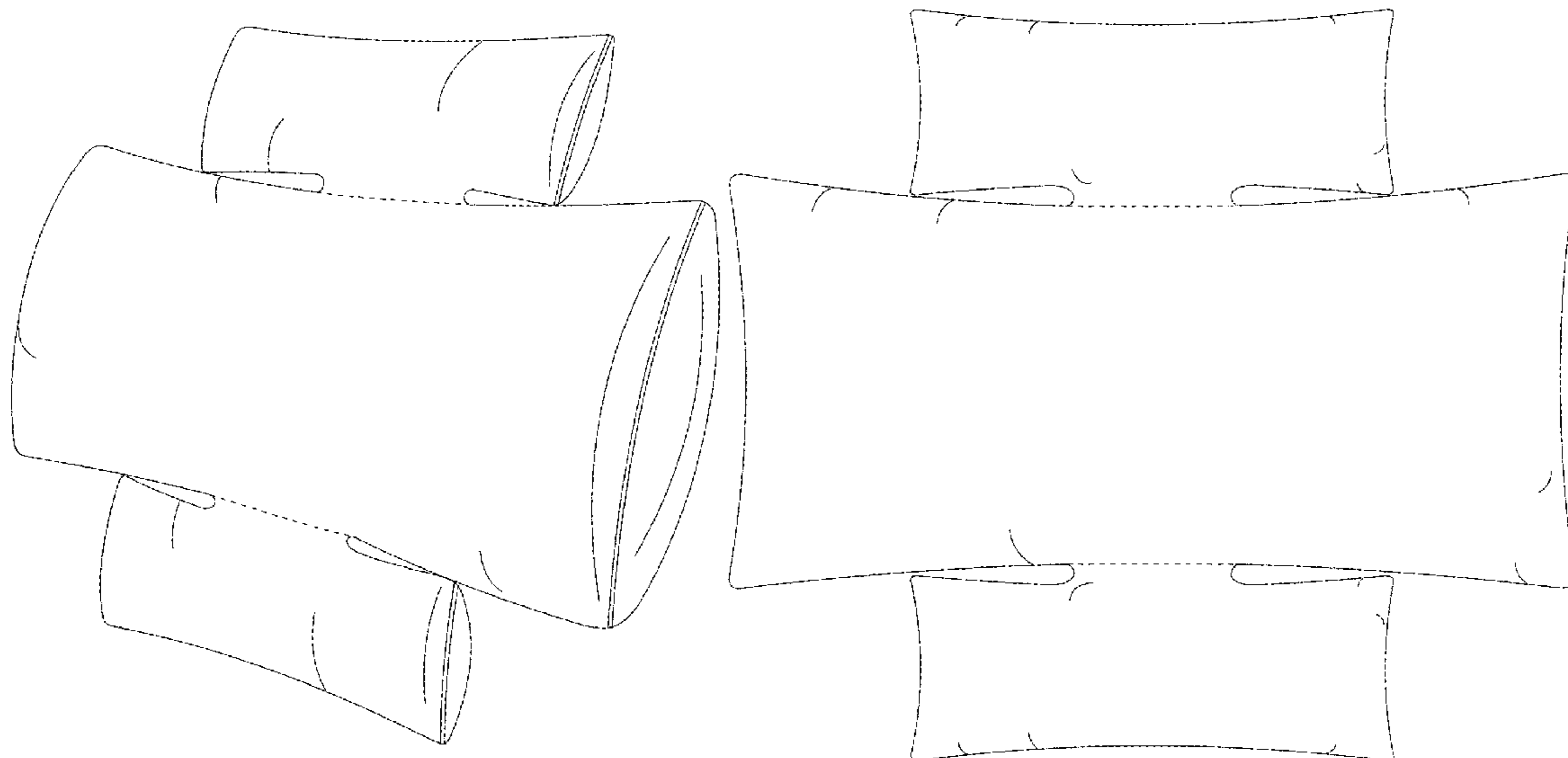
FIG. 5 is a bottom view of a tripillow as shown in FIG. 1.

FIG. 6 is a left side view of a tripillow as shown in FIG. 1; and,

FIG. 7 is a right side view of a tripillow as shown in FIG. 1.

The broken lines in FIGS. 1, 2 and 3 depict portions of the tripillow that form no part of the claimed design.

**1 Claim, 5 Drawing Sheets**



(56)

**References Cited**

U.S. PATENT DOCUMENTS

7,120,953 B2 \* 10/2006 Ferber ..... A47G 9/0253  
5/636  
D618,945 S \* 7/2010 Tanaka ..... D6/601  
D618,946 S \* 7/2010 Tanaka ..... D6/601  
D628,004 S \* 11/2010 Moorefield ..... D6/601  
D731,815 S \* 6/2015 Paschia ..... D6/601  
9,456,943 B2 \* 10/2016 Bhat ..... A61G 7/001  
D834,868 S \* 12/2018 Knowlton ..... D6/718.26

\* cited by examiner

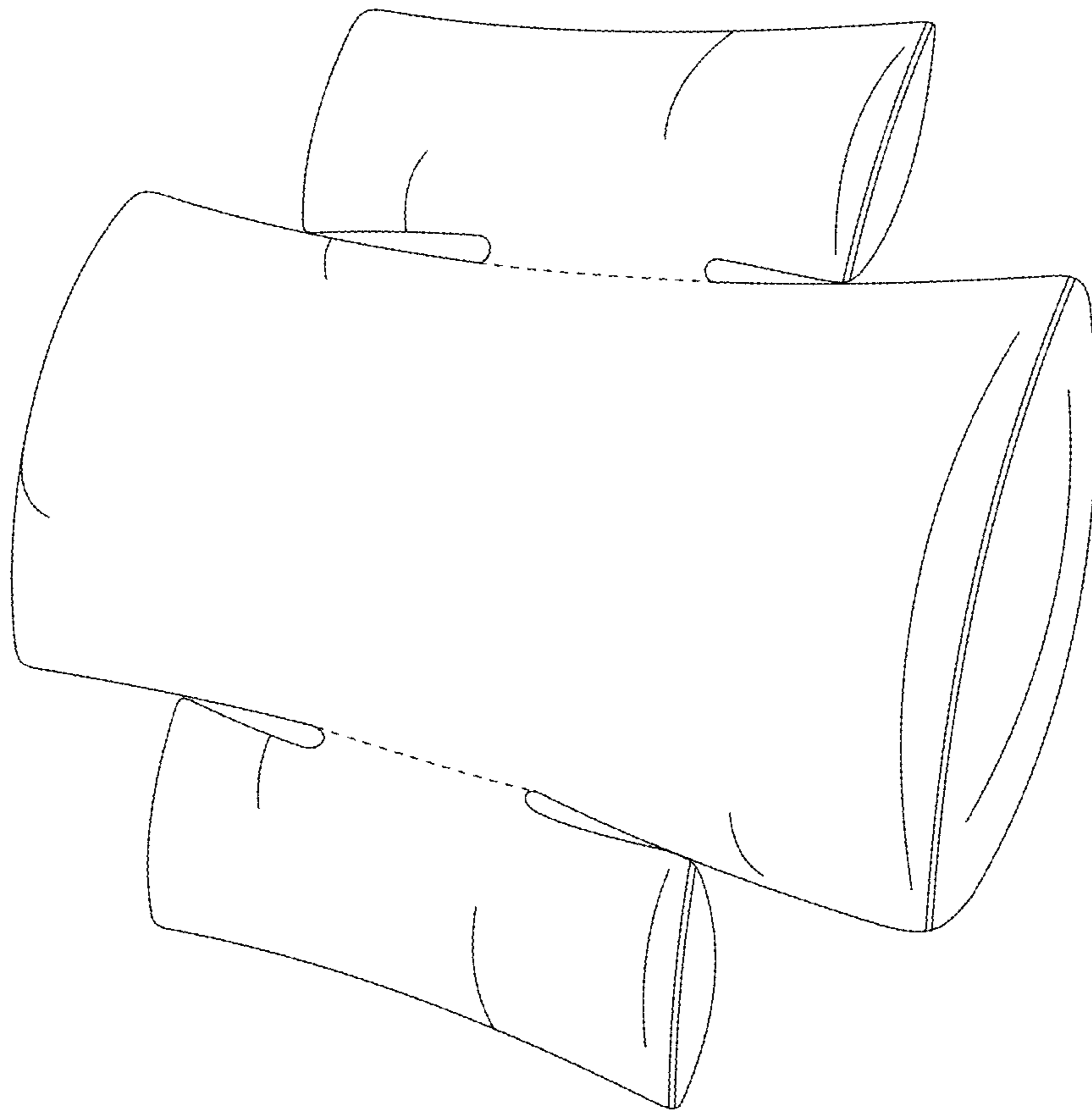


Fig. 1

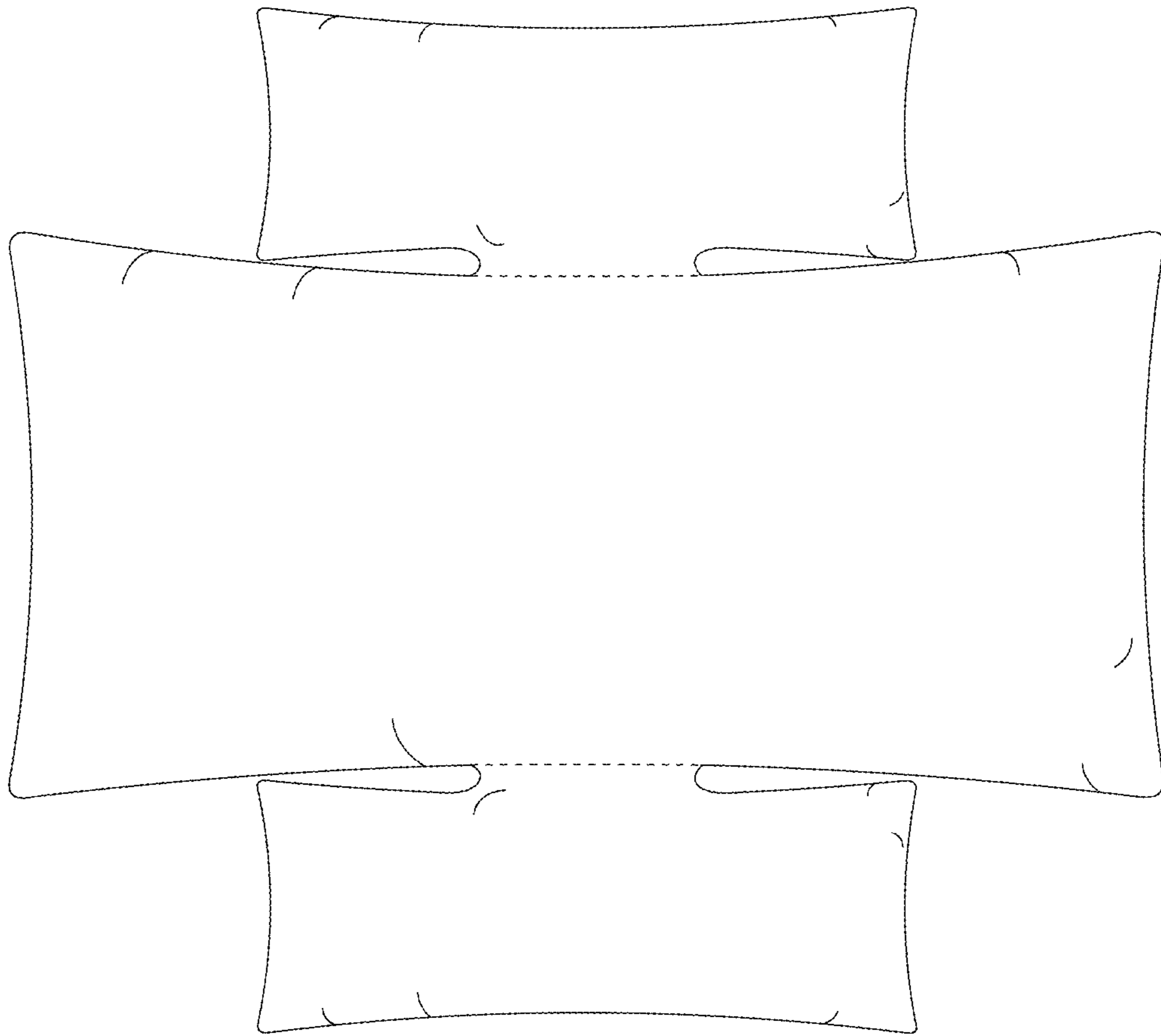


Fig. 2

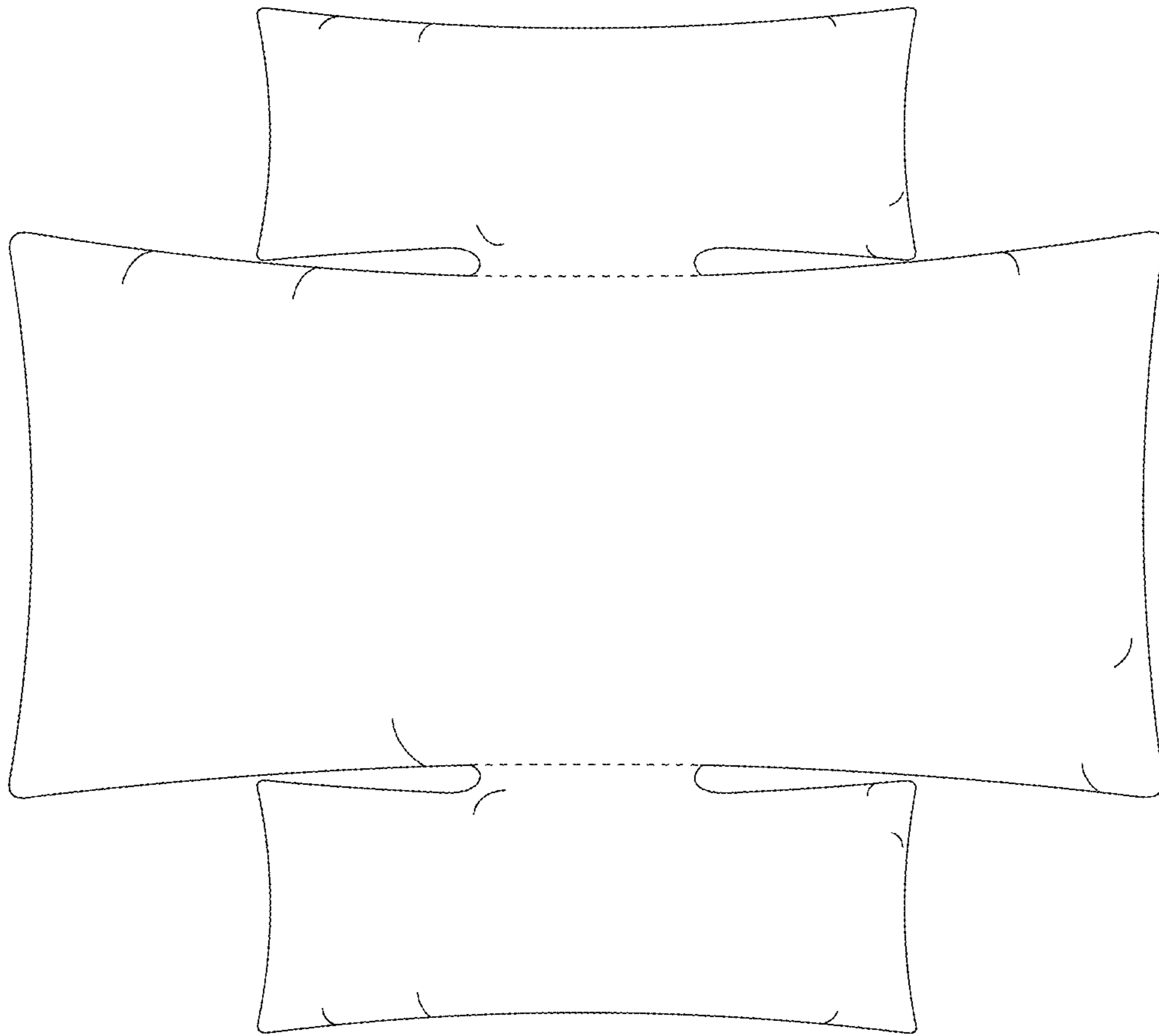


Fig. 3

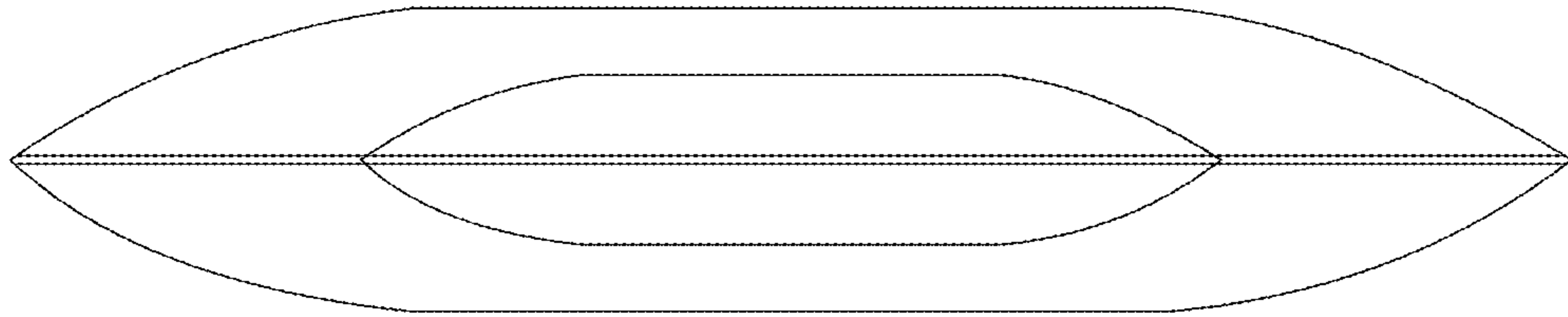


Fig. 4

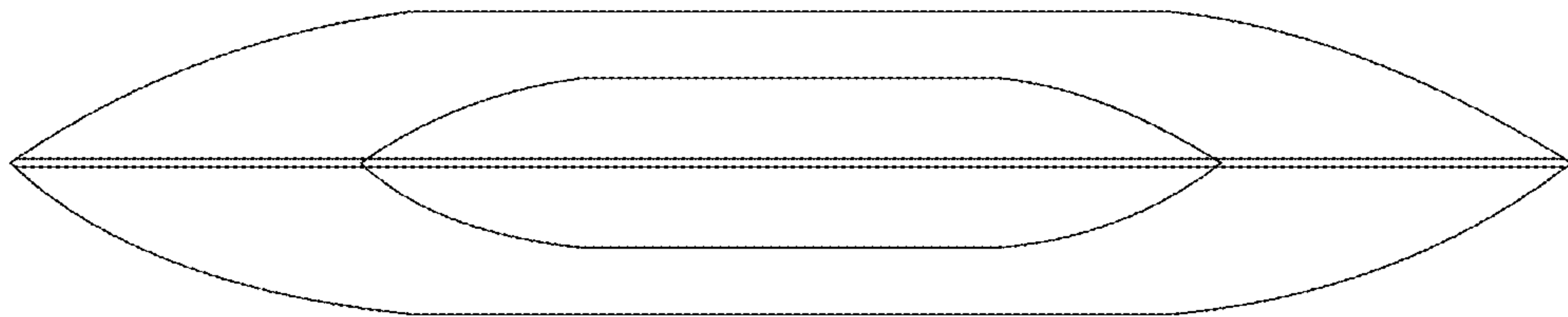


Fig. 5

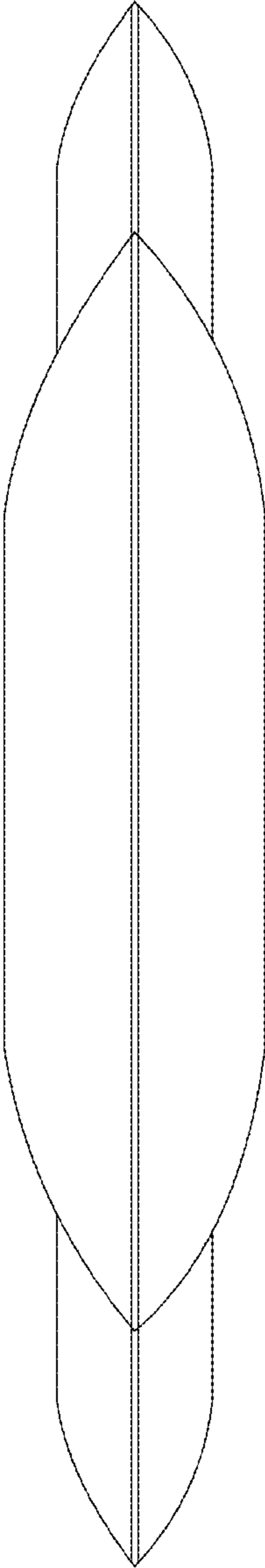


Fig. 6

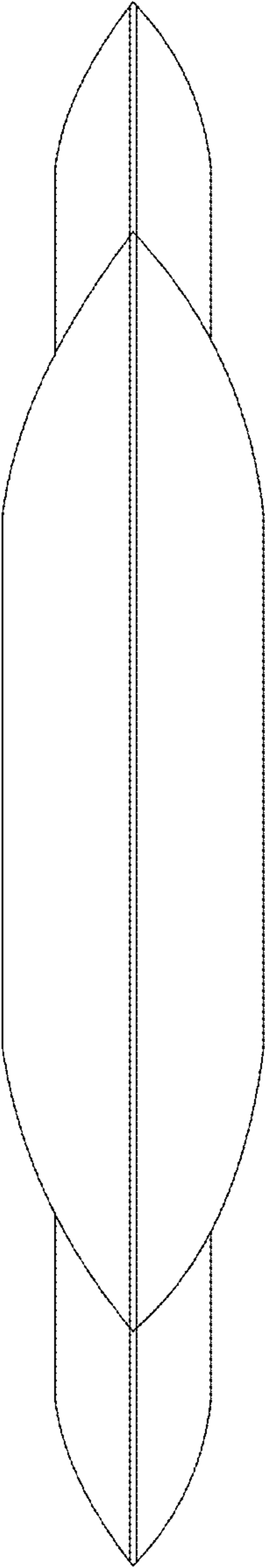


Fig. 7