



US00D896540S

(12) **United States Design Patent** (10) **Patent No.:** **US D896,540 S**  
**Schölander** (45) **Date of Patent:** **\*\* Sep. 22, 2020**

(54) **CHAIR**

A47C 7/16; A47D 1/00; A47D 1/002;  
A47D 1/006; A47D 1/008; A47D 1/0081;  
A47D 1/0083

(71) Applicant: **Panelterra Investments Ltd**, Nicosia (CY)

See application file for complete search history.

(72) Inventor: **Greger Schölander**, Zhuchai (CN)

(56) **References Cited**

(73) Assignee: **PANELTERRA INVESTMENTS LTD.**, Nicosia (CY)

U.S. PATENT DOCUMENTS

(\*\*) Term: **15 Years**

D461,968 S *	8/2002	Adams .....	D6/368
D501,732 S *	2/2005	Hutton .....	D6/368
D605,867 S *	12/2009	Lu .....	D6/366
D802,954 S *	11/2017	Lin .....	D6/368
D845,018 S *	4/2019	Scholander .....	D6/370
D853,739 S *	7/2019	Kaimer .....	D6/333

(21) Appl. No.: **29/675,096**

(22) Filed: **Dec. 28, 2018**

\* cited by examiner

**Related U.S. Application Data**

*Primary Examiner* — Mary Ann Calabrese  
(74) *Attorney, Agent, or Firm* — Cooper Legal Group, LLC; Ronald M. Kachmarik

(62) Division of application No. 35/503,892, filed on Sep. 18, 2017 (U.S. filing date under 35 U.S.C. 384), and having an international filing date of Sep. 18, 2017, now Pat. No. Des. 845,018.

(57) **CLAIM**

The ornamental design for a chair, as shown and described.

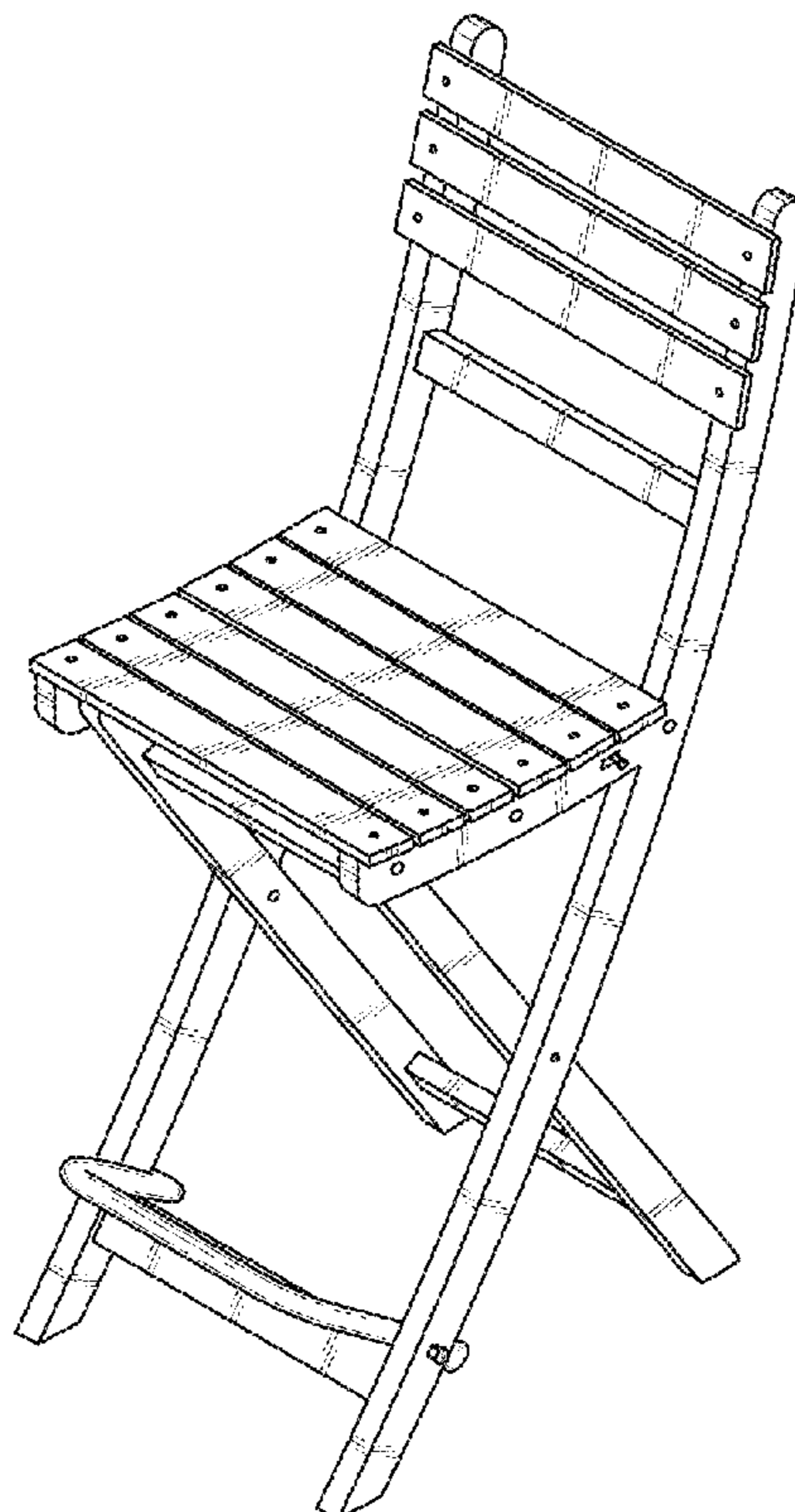
(51) **LOC (12) Cl.** ..... **06-01**  
(52) **U.S. Cl.**

**DESCRIPTION**

USPC ..... **D6/368**; D6/370; D6/380  
(58) **Field of Classification Search**  
USPC ..... D6/334-336, 338, 339, 368, 370, 372, D6/374, 379, 380  
CPC .. A47C 3/00; A47C 3/023; A47C 4/00; A47C 4/024; A47C 4/027; A47C 4/04; A47C 4/08; A47C 4/14; A47C 5/00; A47C 5/04; A47C 5/12; A47C 7/00; A47C 7/02;

FIG. 1 is a perspective view for a chair, showing the new design;  
FIG. 2 is a front view thereof;  
FIG. 3 is a back view thereof;  
FIG. 4 is a top view thereof;  
FIG. 5 is a bottom view thereof;  
FIG. 6 is a left side view thereof; and,  
FIG. 7 is a right side view thereof.

**1 Claim, 7 Drawing Sheets**



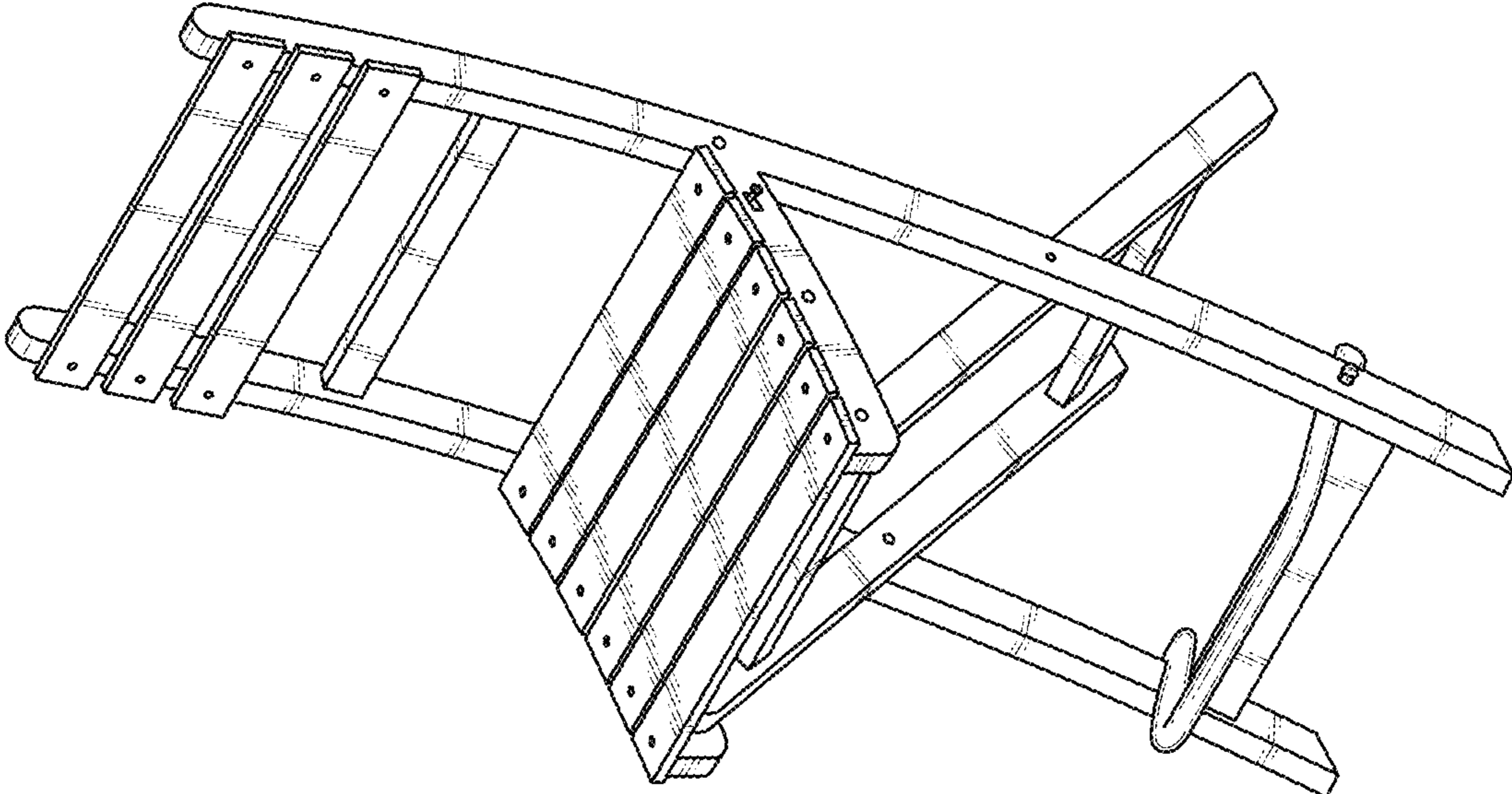


FIG. 1

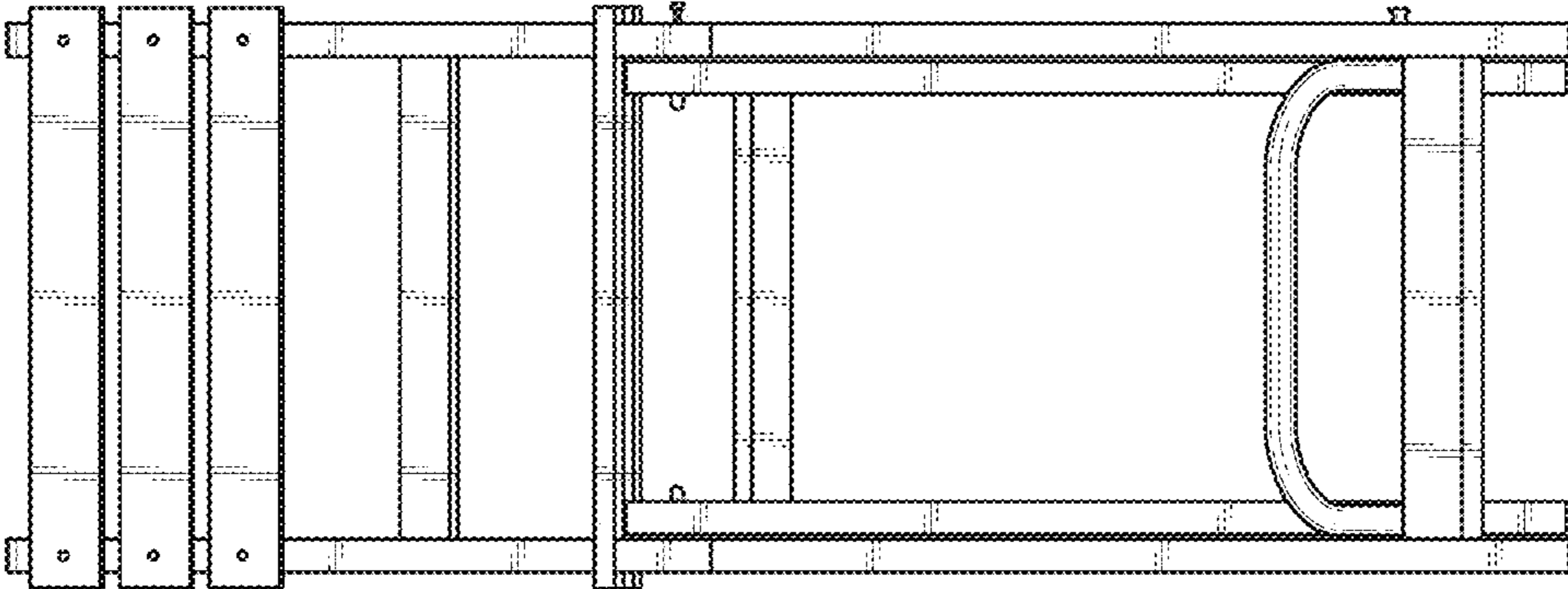


FIG. 2

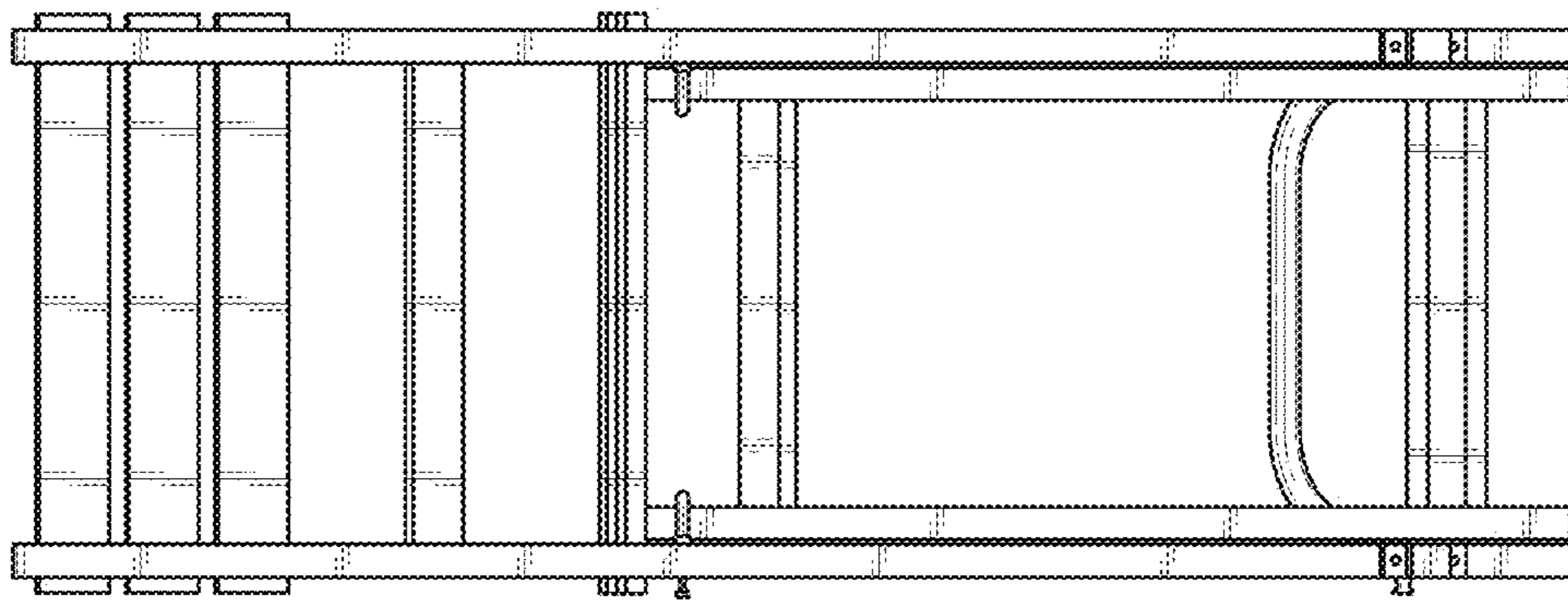


FIG. 3

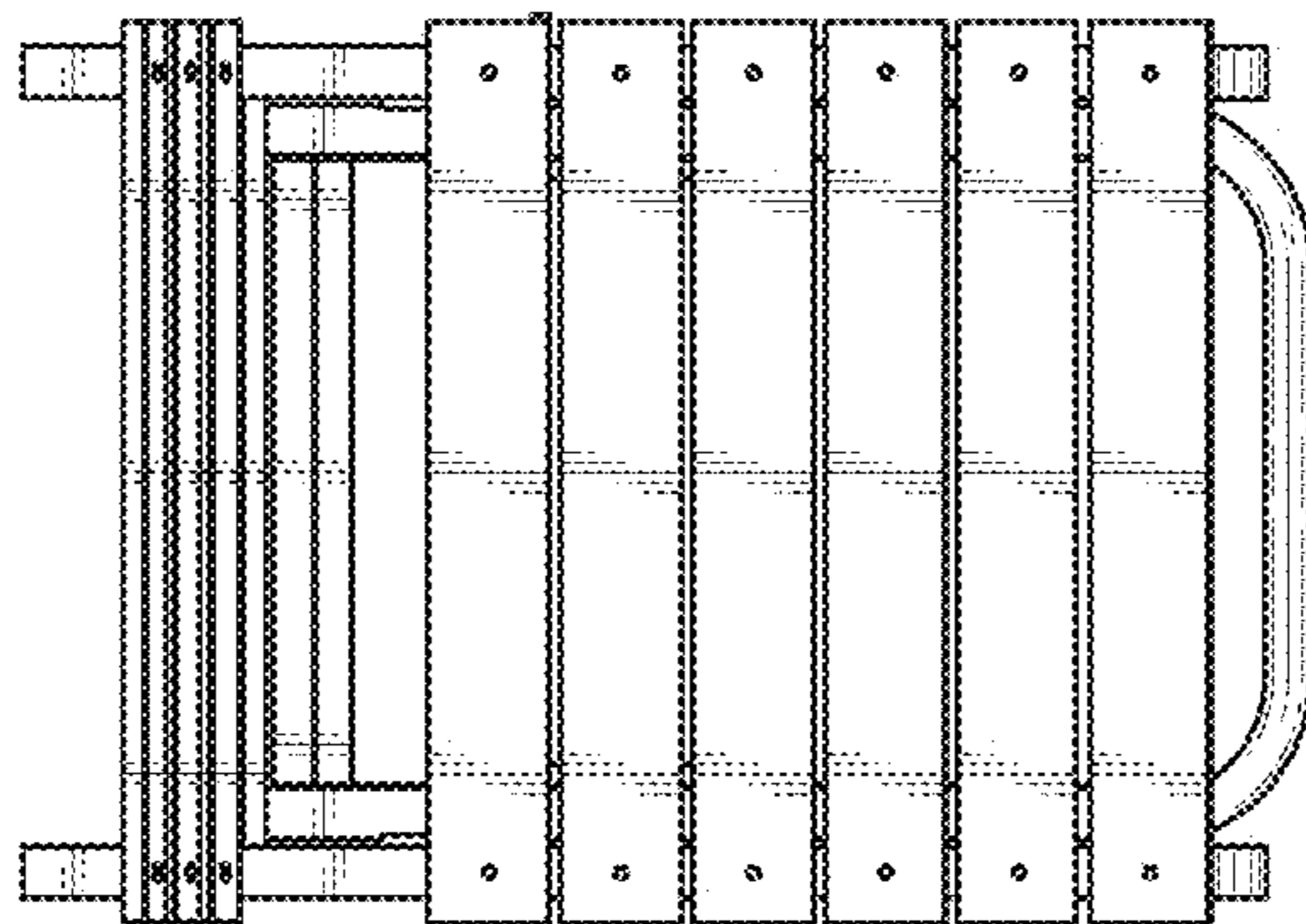


FIG. 4

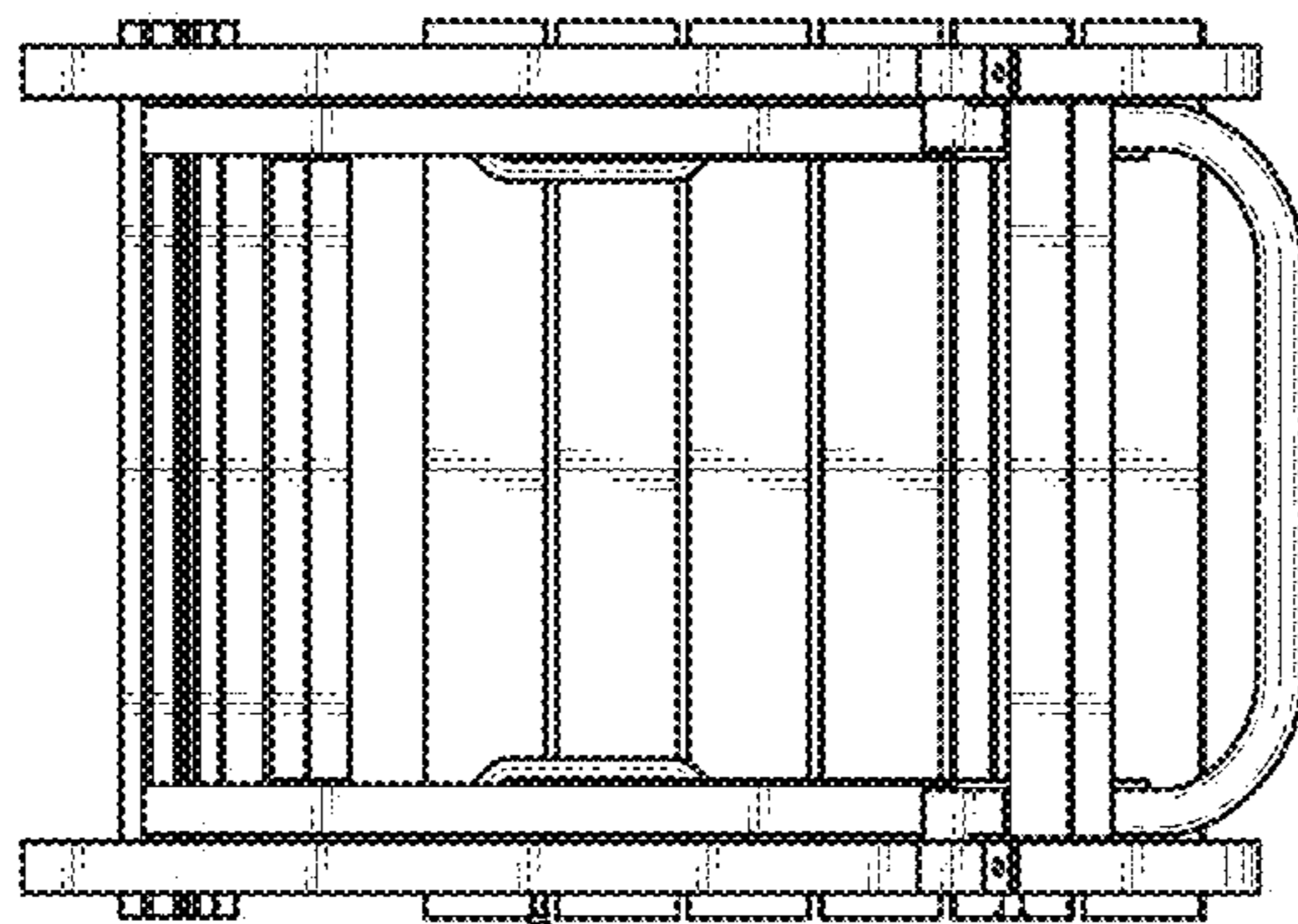


FIG. 5



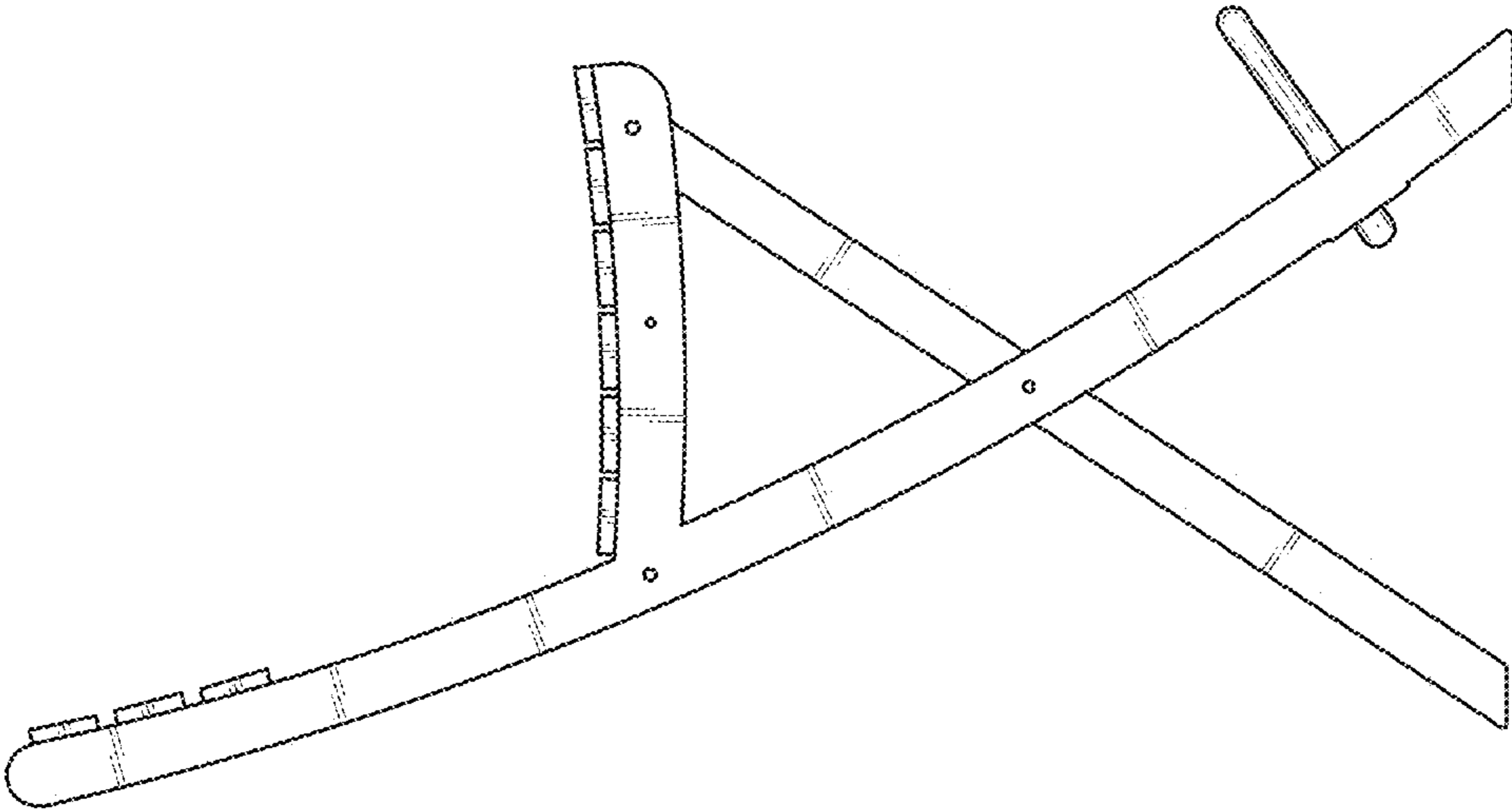


FIG. 6

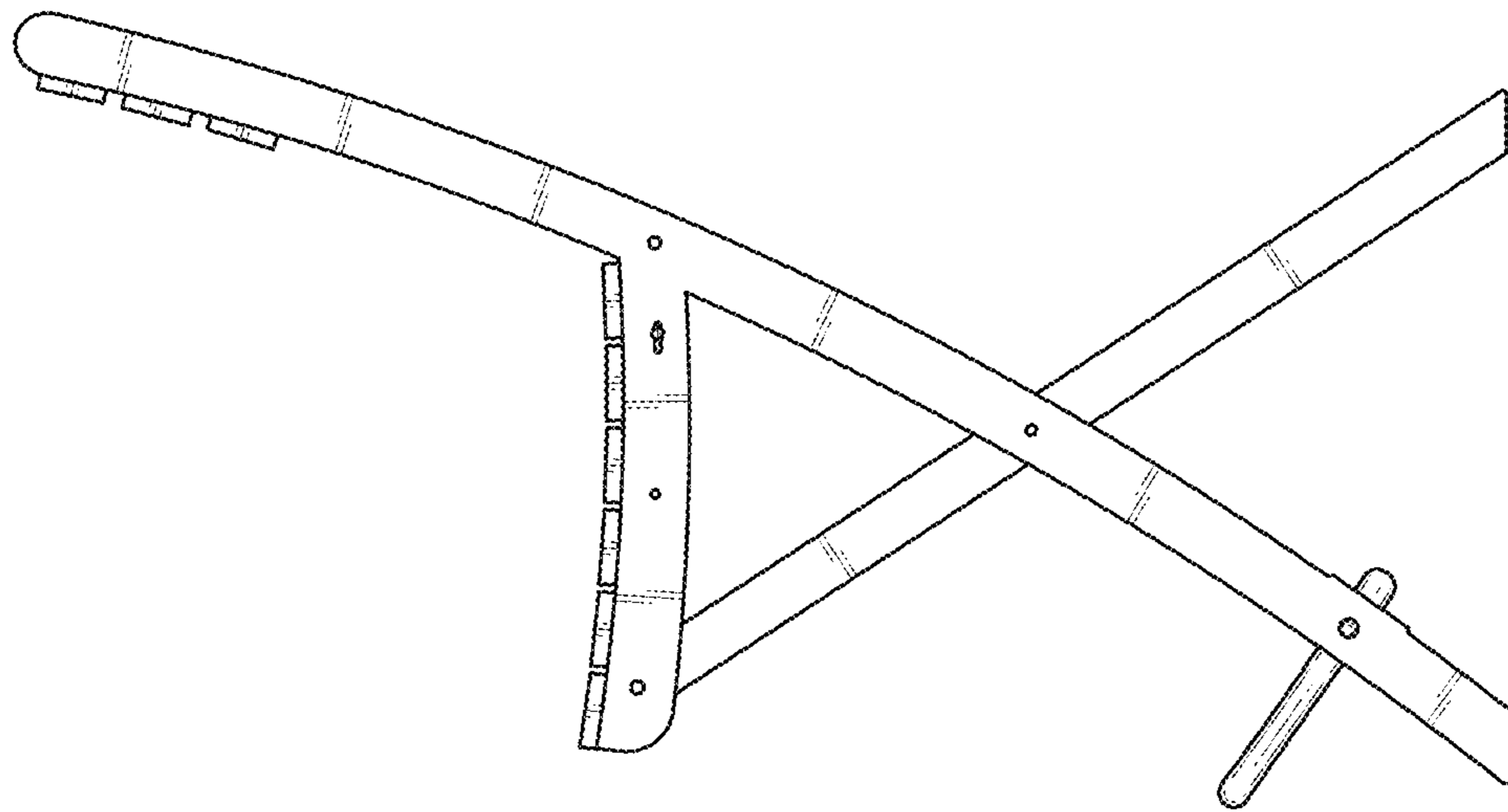


FIG. 7