



US00D896539S

(12) **United States Design Patent** (10) **Patent No.:** **US D896,539 S**
Kumazawa (45) **Date of Patent:** **** Sep. 22, 2020**

(54) **CHAIR**
(71) Applicant: **Aichi Co., Ltd.**, Aichi-ken (JP)
(72) Inventor: **Taku Kumazawa**, Nagoya (JP)

D638,634 S * 5/2011 Figueras Mitjans D6/364
D648,554 S * 11/2011 Smith D6/368
D656,335 S * 3/2012 Kumazawa D6/373
D660,612 S * 5/2012 Smith D6/374
2004/0195897 A1* 10/2004 Mitjans A47C 1/12
297/440.2

(**) Term: **15 Years**

FOREIGN PATENT DOCUMENTS

(21) Appl. No.: **35/506,899**
(22) Filed: **Dec. 13, 2018**

JP D1368798 S 8/2012
JP D1368799 S 8/2012
JP D1385485 S 4/2013

(80) **Hague Agreement Data**

OTHER PUBLICATIONS

Int. Filing Date: **Dec. 13, 2018**
Int. Reg. No.: **DM/200619**
Int. Reg. Date: **Dec. 13, 2018**
Int. Reg. Pub. Date: **Jun. 14, 2019**

Design No. D1417142, Aug. 21, 2012—European Union Intellectual Property Office (EUIPO) Publication Date—May 20, 2011
Owner—Aichi, Inc, Designer—Takumi Kumazawa J-PlatPat, available at <https://www.j-platpat.inpit.go.jp/d0200>.*

* cited by examiner

(30) **Foreign Application Priority Data**

Primary Examiner — Mary Ann Calabrese

Jun. 15, 2018 (JP) 2018-013319
Jun. 15, 2018 (JP) 2018-013320
Jun. 15, 2018 (JP) 2018-013321

(57) **CLAIM**

The ornamental design for chair, as shown and described.

(51) **LOC (12) Cl.** **06-01**

(52) **U.S. Cl.**
USPC **D6/364; D6/380**

DESCRIPTION

(58) **Field of Classification Search**
USPC D6/334, 362, 364, 365, 367–370, 380
CPC .. A47C 1/121; A47C 3/00; A47C 4/00; A47C 7/00; A47C 7/02; A47C 7/16; A47C 7/56; A47C 9/00; A47B 91/00
See application file for complete search history.

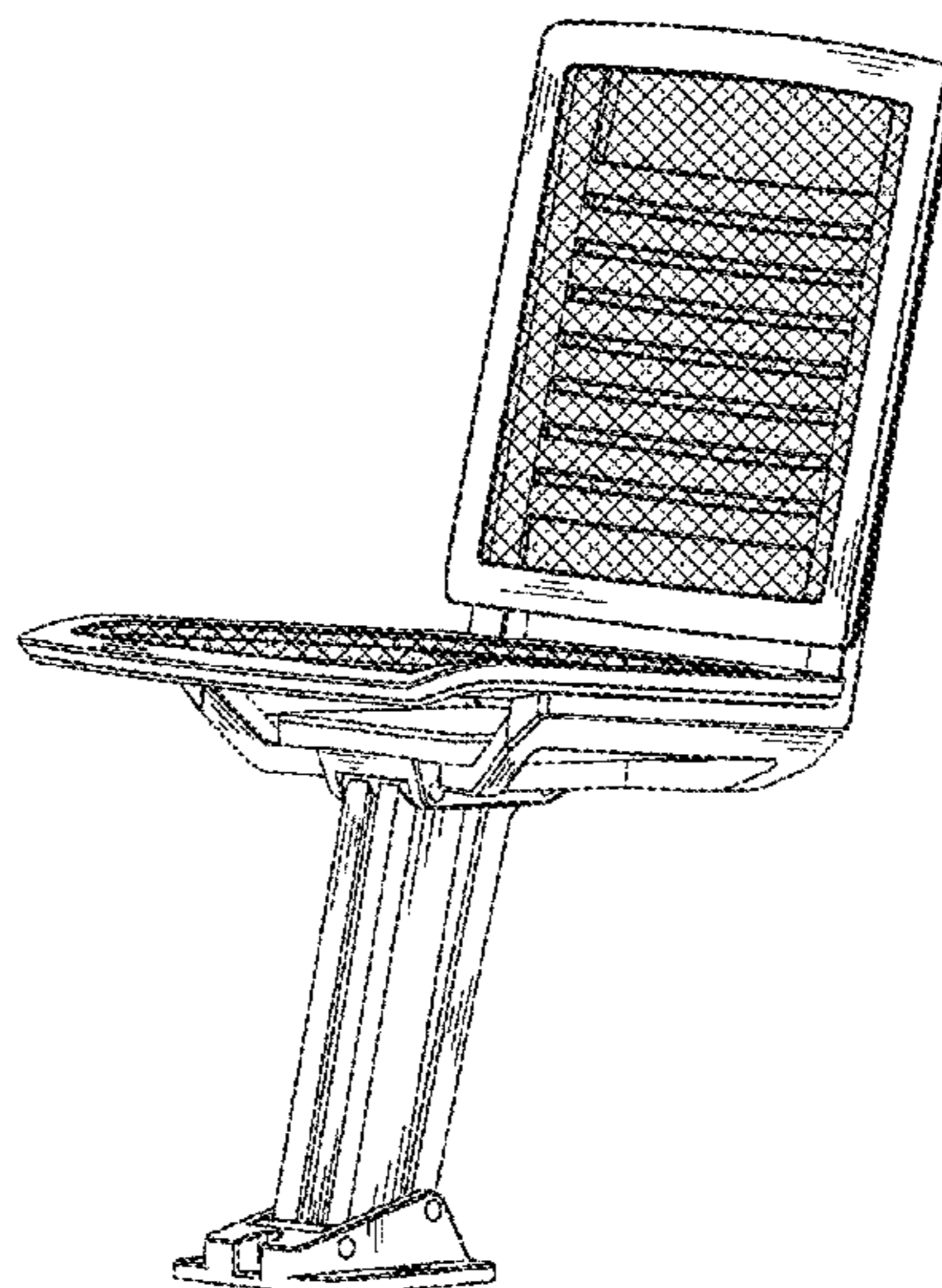
1. Chair
Reproduction 1.1 is a front view of the chair; reproduction 1.2 is a back view of the chair; reproduction 1.3 is a top view of the chair; reproduction 1.4 is a bottom view of the chair; reproduction 1.5 is a right side elevational view of the chair; a left side elevational view is with omitted because it is a mirror image of the right side elevational view; reproduction 1.6 is a cross-sectional view vertically sectioned at center of the chair; the reproduction 1.7 is an enlarged fragmentary view of the reproduction 1.6; the reproduction 1.8 is an enlarged fragmentary end view vertically sectioned at the center of reproduction 1.5; reproduction 1.9 is a front perspective view of the chair; reproduction 1.10 is a back perspective view of the chair.

(56) **References Cited**

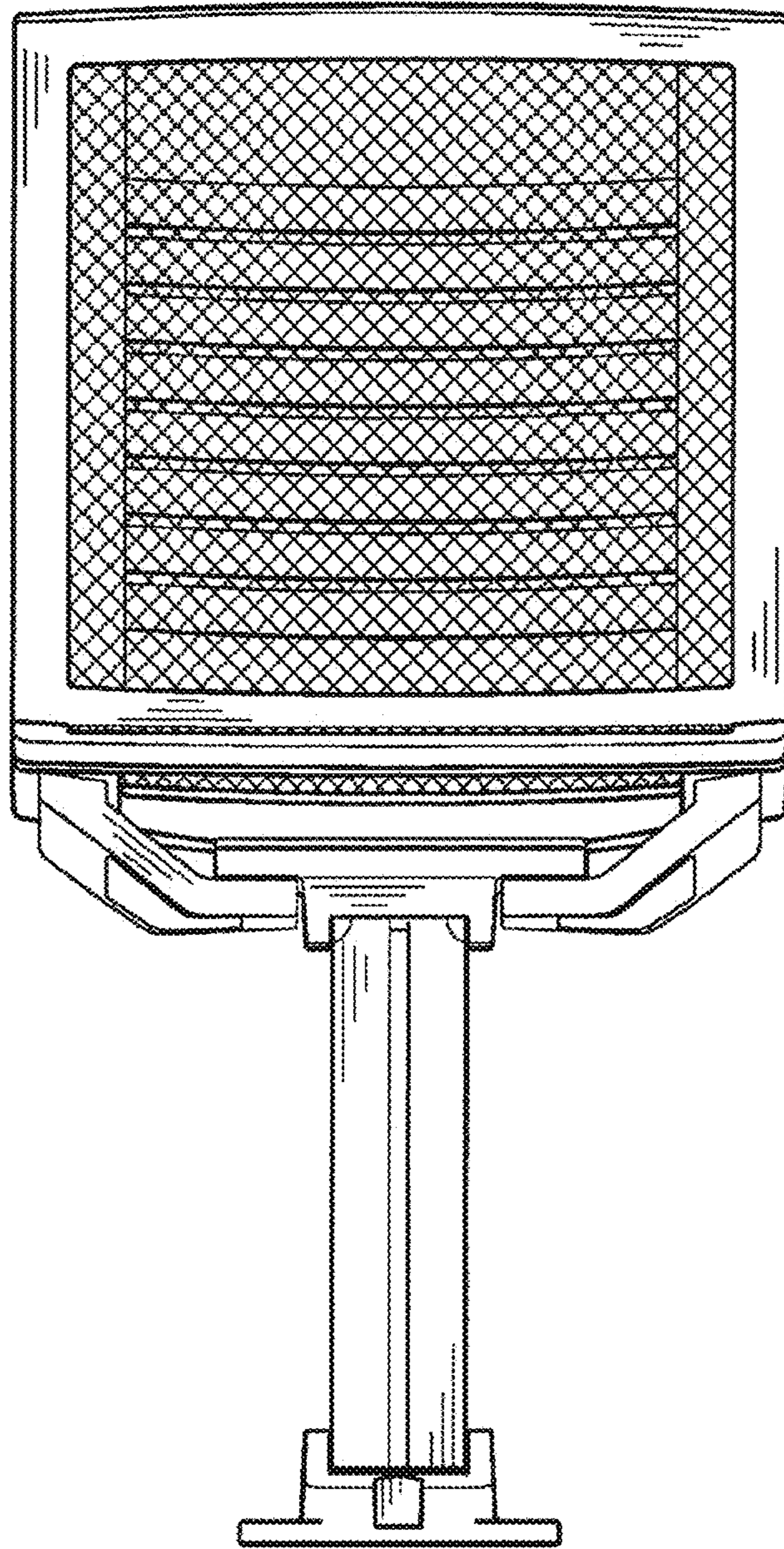
U.S. PATENT DOCUMENTS

880,314 A * 2/1908 Levin A47C 1/12
297/13
D322,369 S * 12/1991 Laird D6/364
D445,269 S * 7/2001 Mitjans D6/368
D609,944 S 2/2010 Kumazawa
D637,839 S * 5/2011 Piretti D6/364

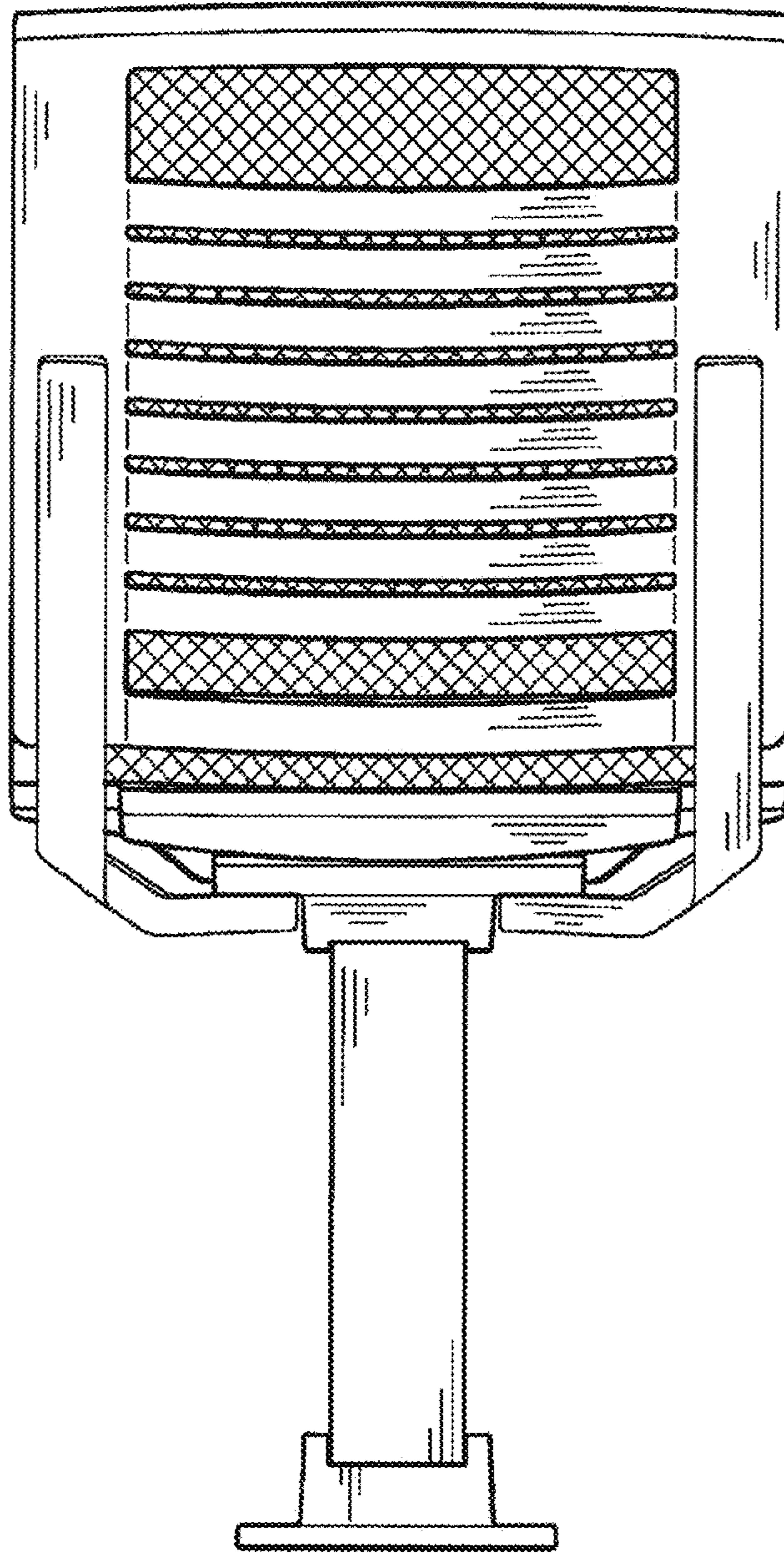
1 Claim, 10 Drawing Sheets



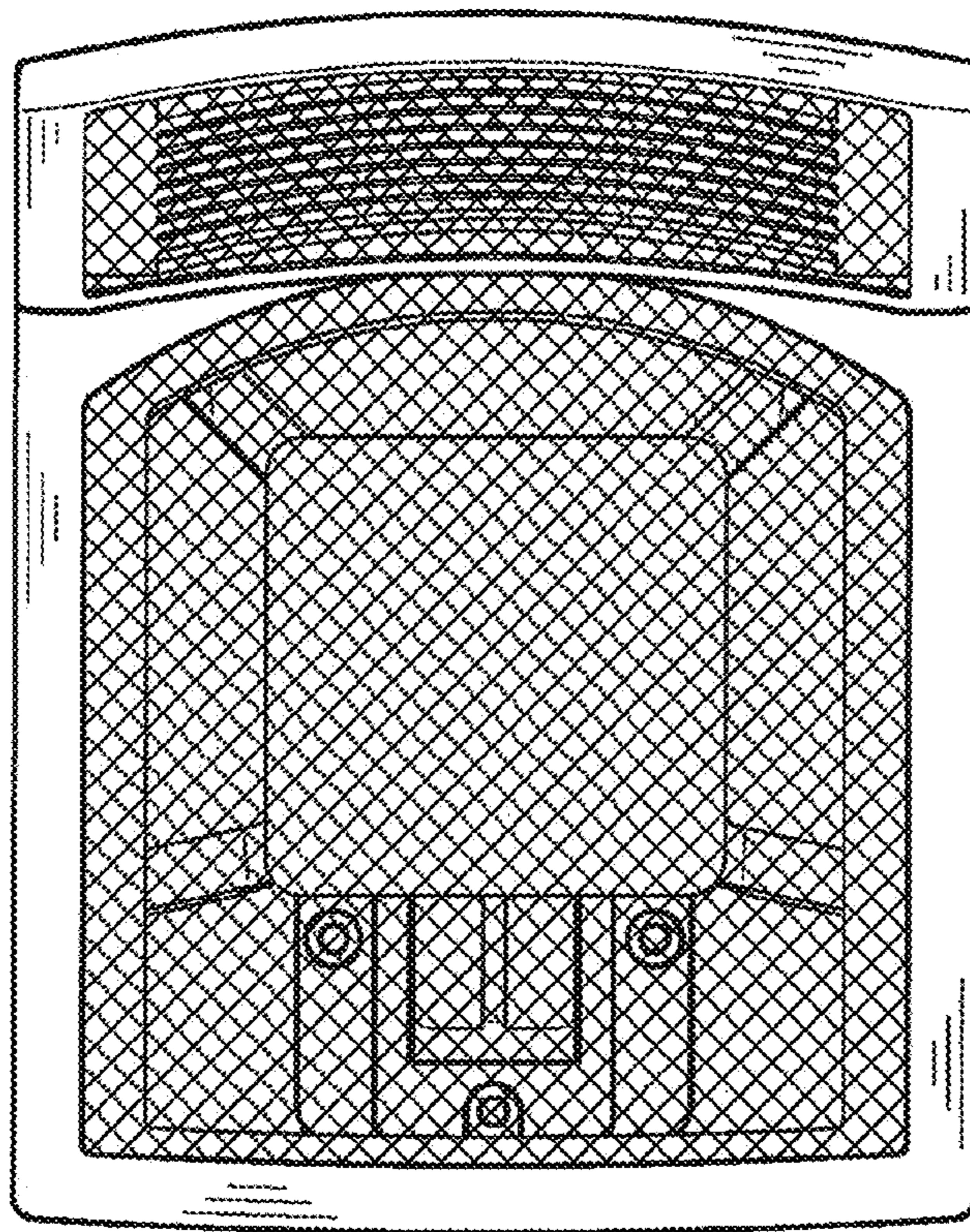
1.1



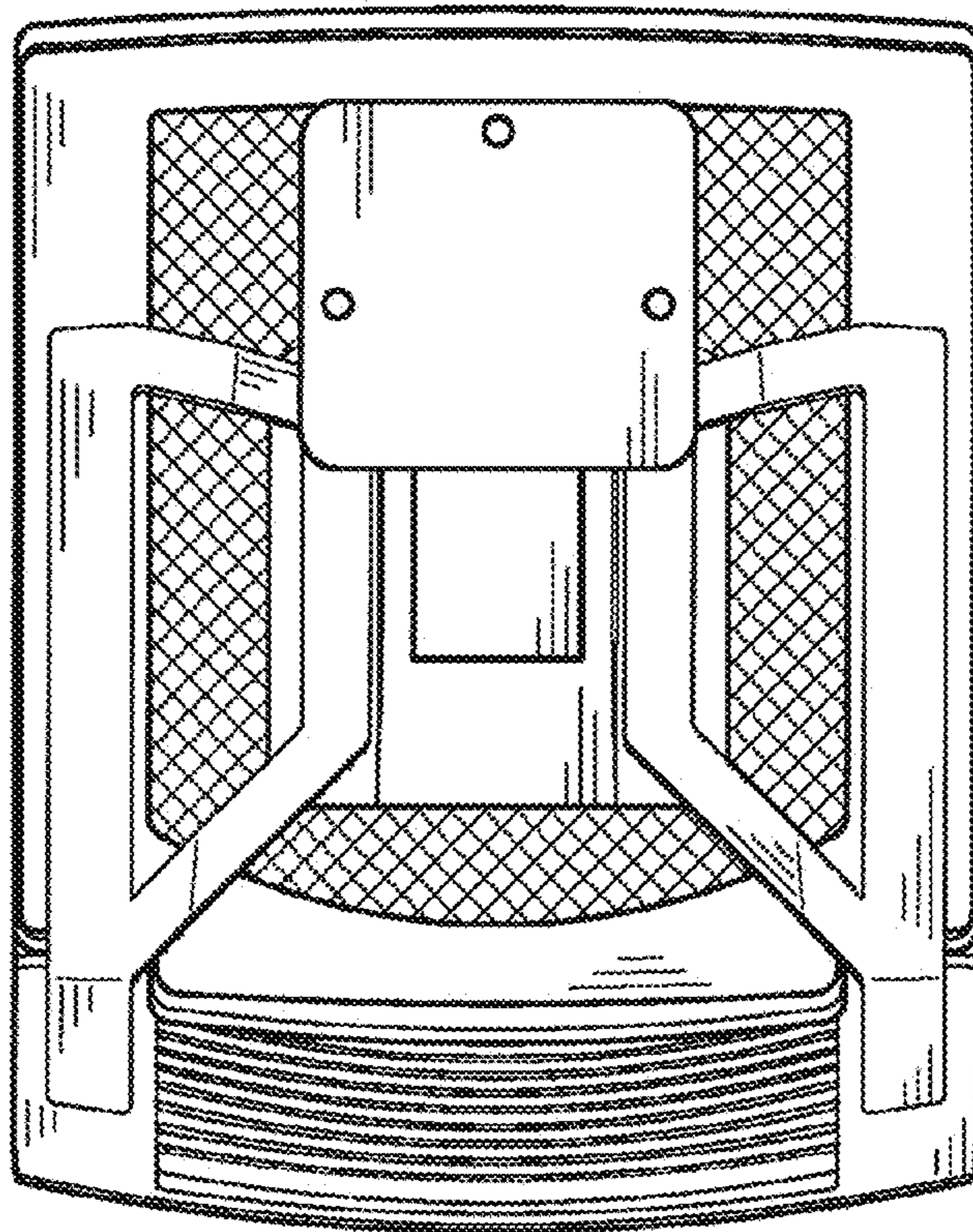
1.2



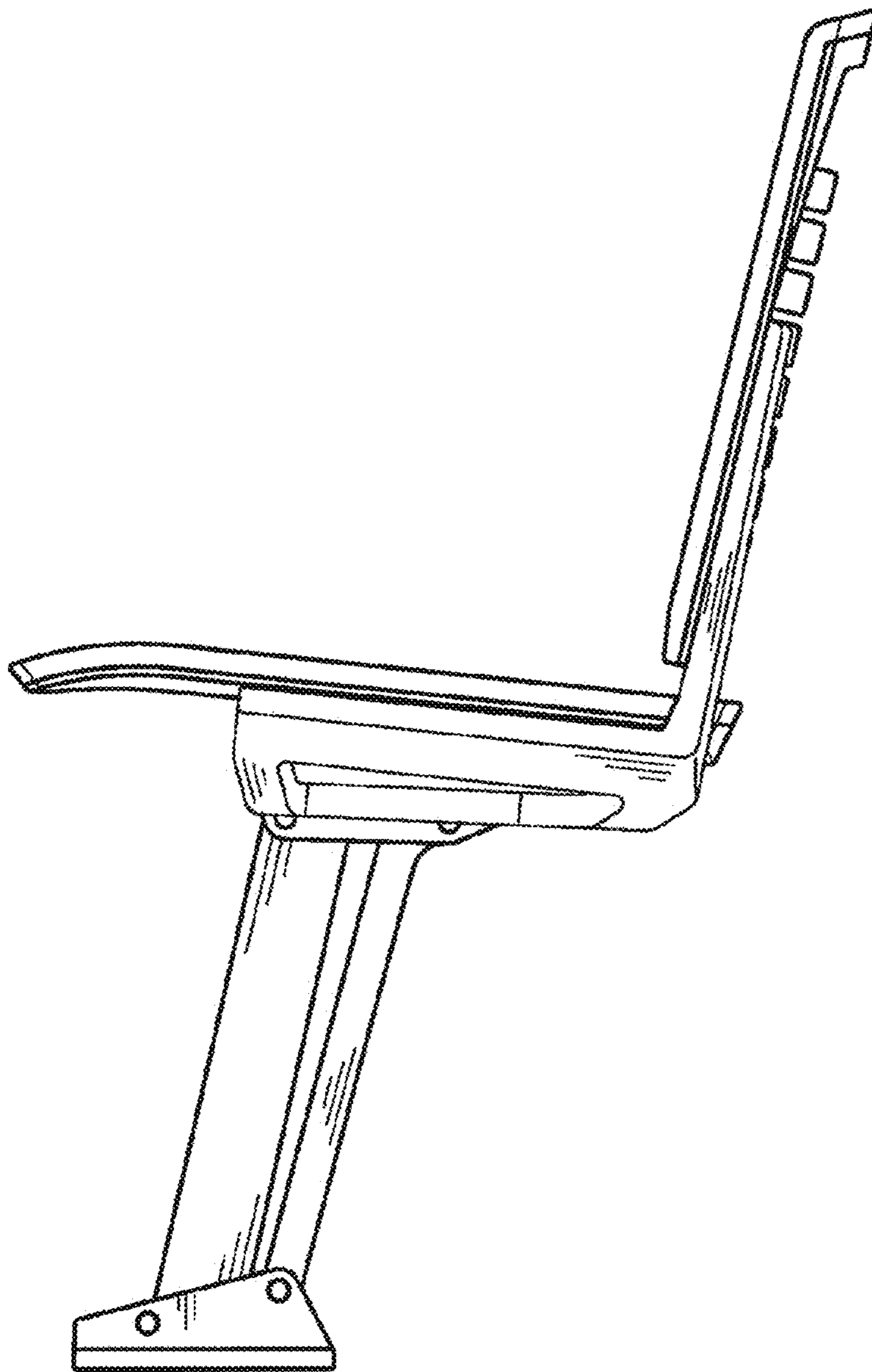
1.3



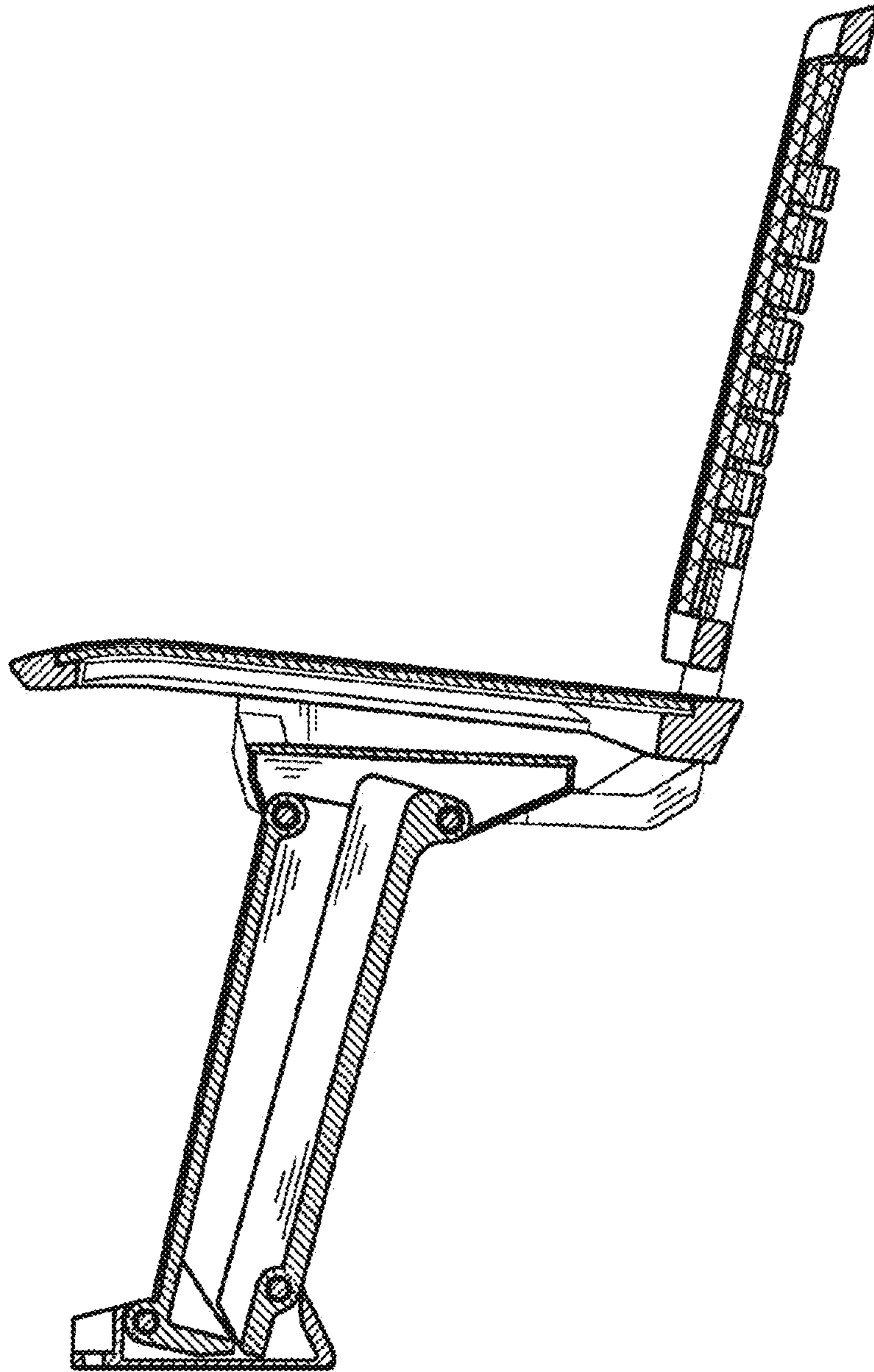
1.4



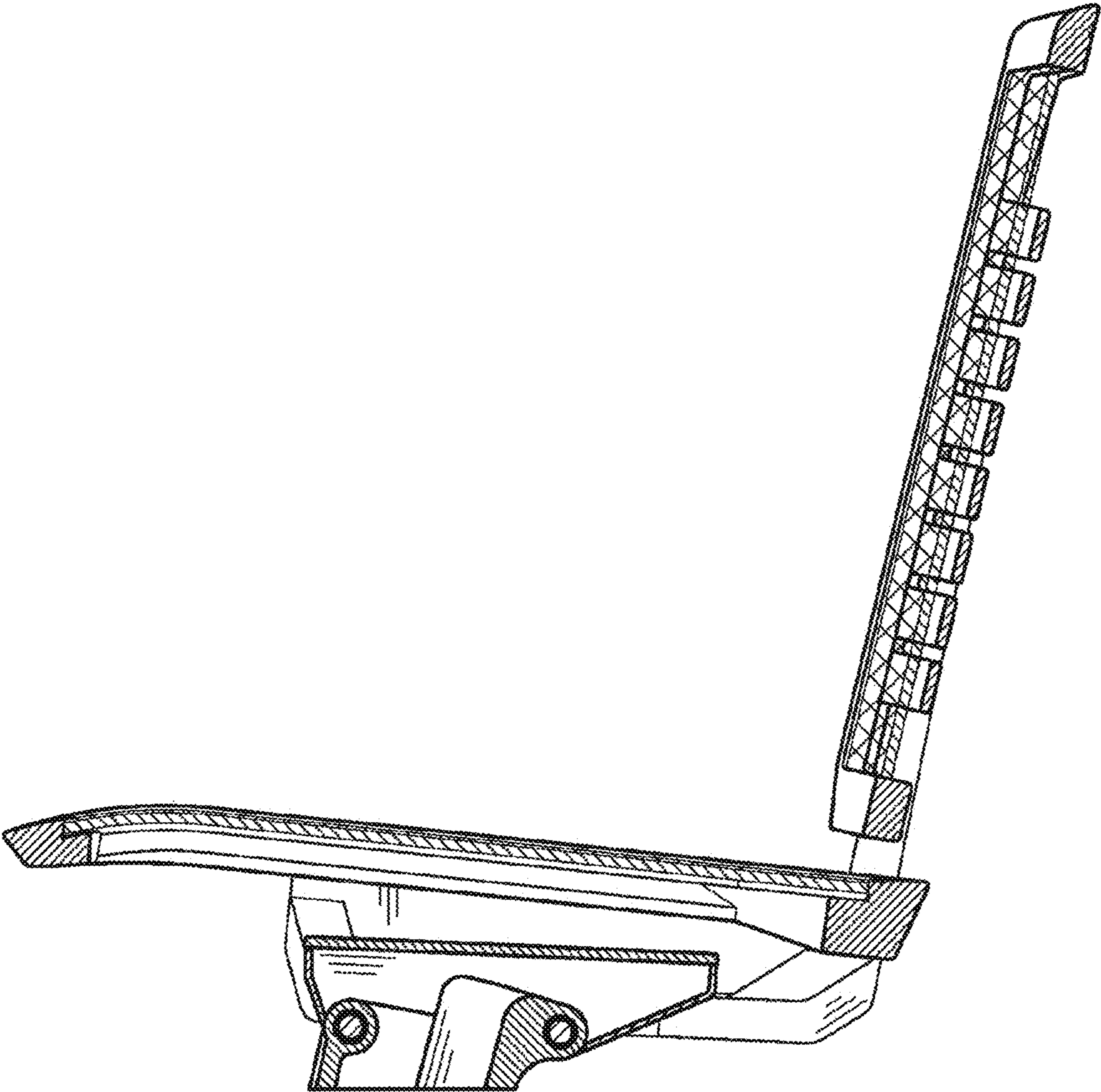
1.5



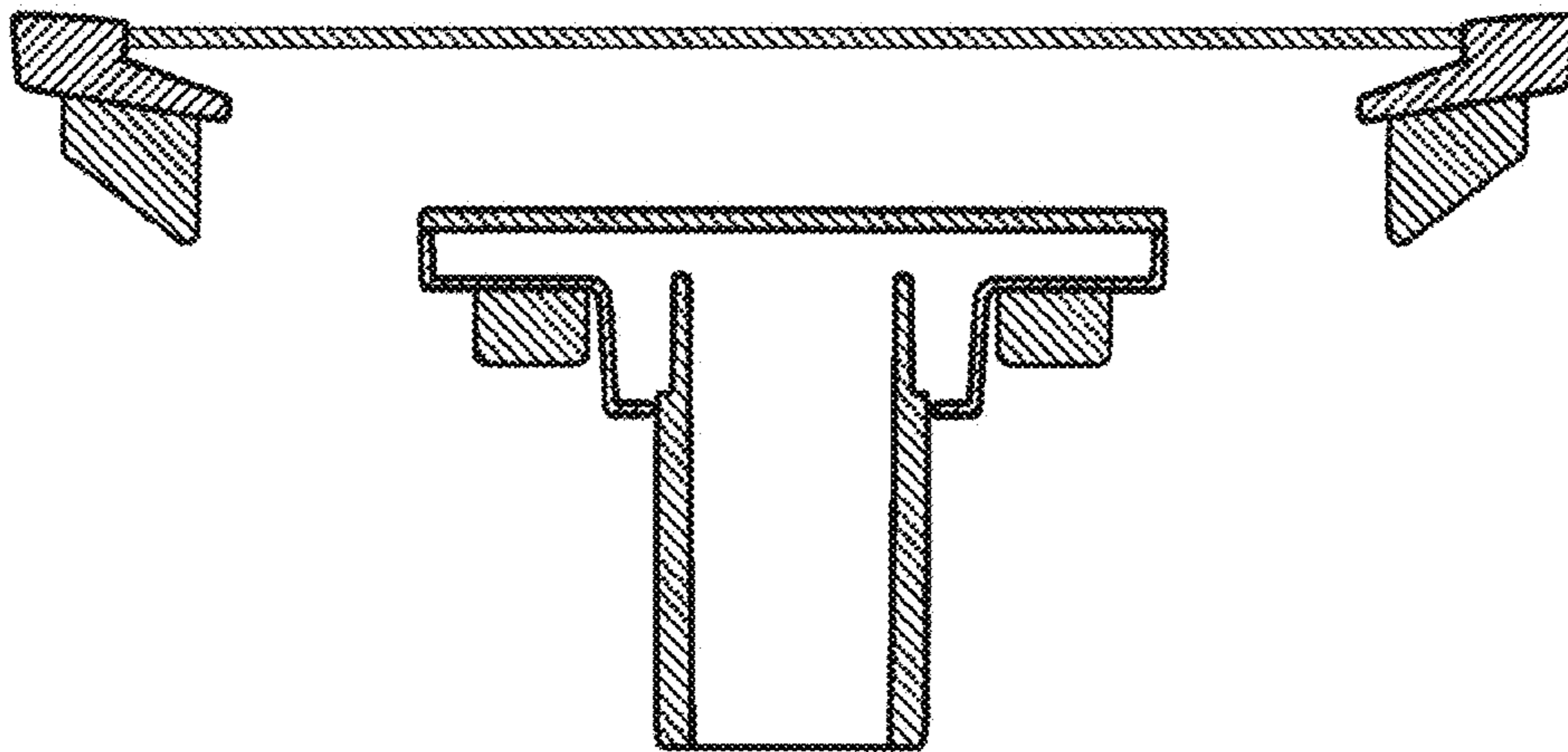
1.6



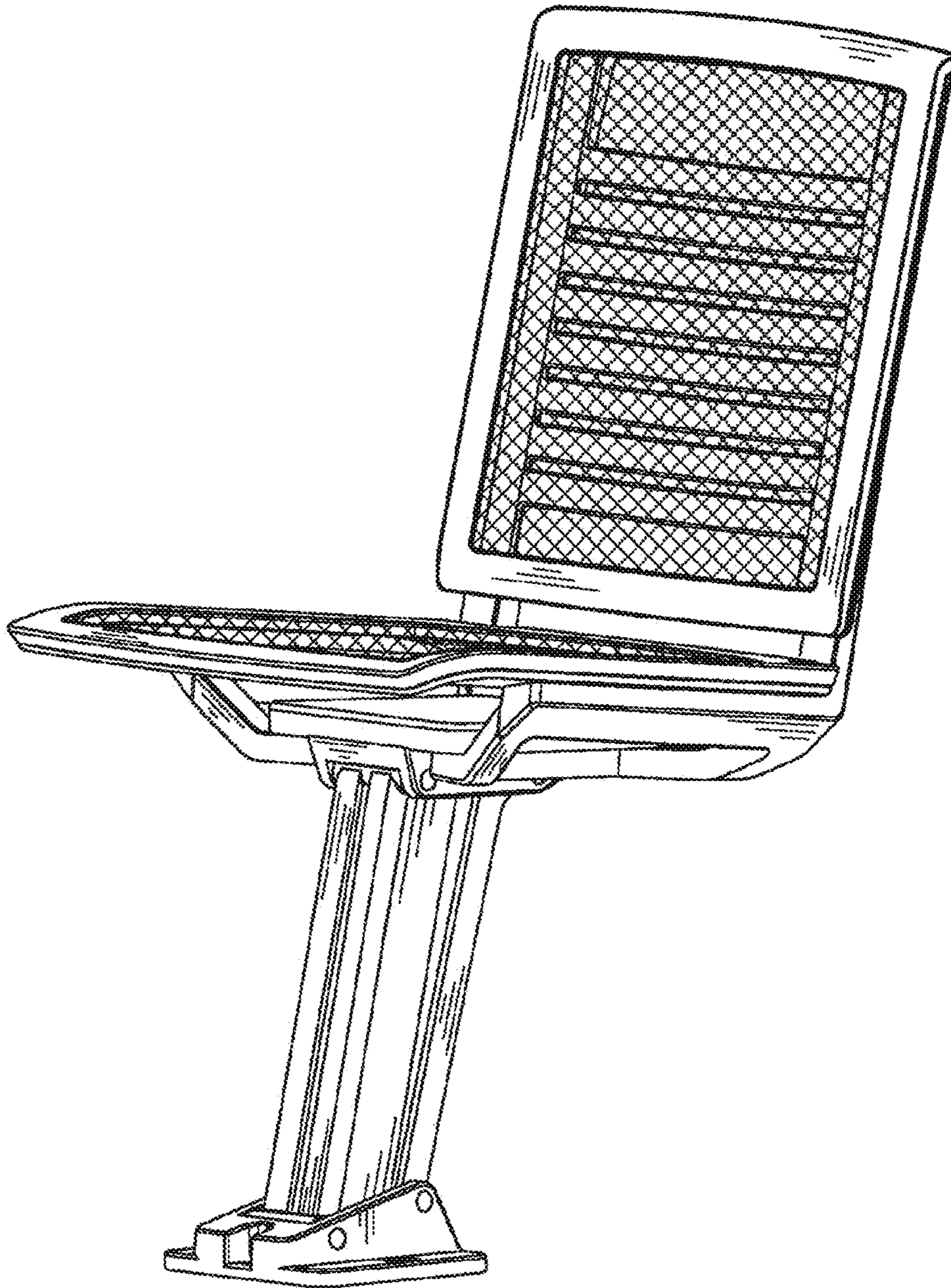
1.7



1.8



1.9



1.10

