



US00D896538S

(12) **United States Design Patent**
Monroe et al.

(10) **Patent No.:** **US D896,538 S**

(45) **Date of Patent:** **** Sep. 22, 2020**

(54) **BOAT SEAT**

(71) Applicant: **The Wise Company, Inc.**, Memphis, TN (US)

(72) Inventors: **Mike Monroe**, Memphis, TN (US);
Frans Weterrings, Memphis, TN (US);
John Cooper, Memphis, TN (US);
Butch Dingler, Memphis, TN (US);
Bruce Whitmer, Memphis, TN (US);
Matt Wood, Memphis, TN (US);
Rocky Martini, Memphis, TN (US)

(73) Assignee: **The Wise Company**, Memphis, TN (US)

(**) Term: **15 Years**

(21) Appl. No.: **29/728,918**

(22) Filed: **Mar. 23, 2020**

(51) **LOC (12) Cl.** **06-01**

(52) **U.S. Cl.**
USPC **D6/356; D6/368**

(58) **Field of Classification Search**
USPC D6/334-336, 356, 367, 368, 374, 375,
D6/376, 379, 380, 716, 716.1, 716.2,
D6/716.3, 716.4
CPC .. A47C 1/146; A47C 1/16; A47C 5/06; A47C
5/10; B60N 2/20; B60N 2/206; B60N
2/22; B60N 2/68; B63B 29/04
See application file for complete search history.

(56) **References Cited**

U.S. PATENT DOCUMENTS

441,534 A * 11/1890 Chubb B63B 29/04
114/363
D303,878 S 10/1989 Goldsmith

D388,967 S 1/1998 Bellington
D420,816 S 2/2000 Wilcox et al.
D467,744 S 12/2002 McIntire
D495,511 S * 9/2004 Dingess D6/368
D502,816 S 3/2005 Bellington
D504,243 S 4/2005 Begin et al.
D727,046 S 4/2015 Alexander
D727,047 S 4/2015 Alexander
D740,579 S 10/2015 Begin et al.
10,494,062 B2 * 12/2019 Kohen B63B 29/04
D878,781 S * 3/2020 Monroe D6/356

FOREIGN PATENT DOCUMENTS

CA 2926083 A1 * 10/2016 B63B 29/04

* cited by examiner

Primary Examiner — Mimoso De

(74) *Attorney, Agent, or Firm* — Barnes & Thornburg LLP

(57) **CLAIM**

The ornamental design for a boat seat, as shown and described.

DESCRIPTION

FIG. 1 is a perspective view of a boat seat;
FIG. 2 is a right side view of the boat seat of FIG. 1, the left side view identical to the right side view;
FIG. 3 is a top view of the boat seat of FIG. 1;
FIG. 4 is a bottom view of the boat seat of FIG. 1;
FIG. 5 is a rear view of the boat seat of FIG. 1; and,
FIG. 6 is a front view of the boat seat of FIG. 1.

1 Claim, 6 Drawing Sheets

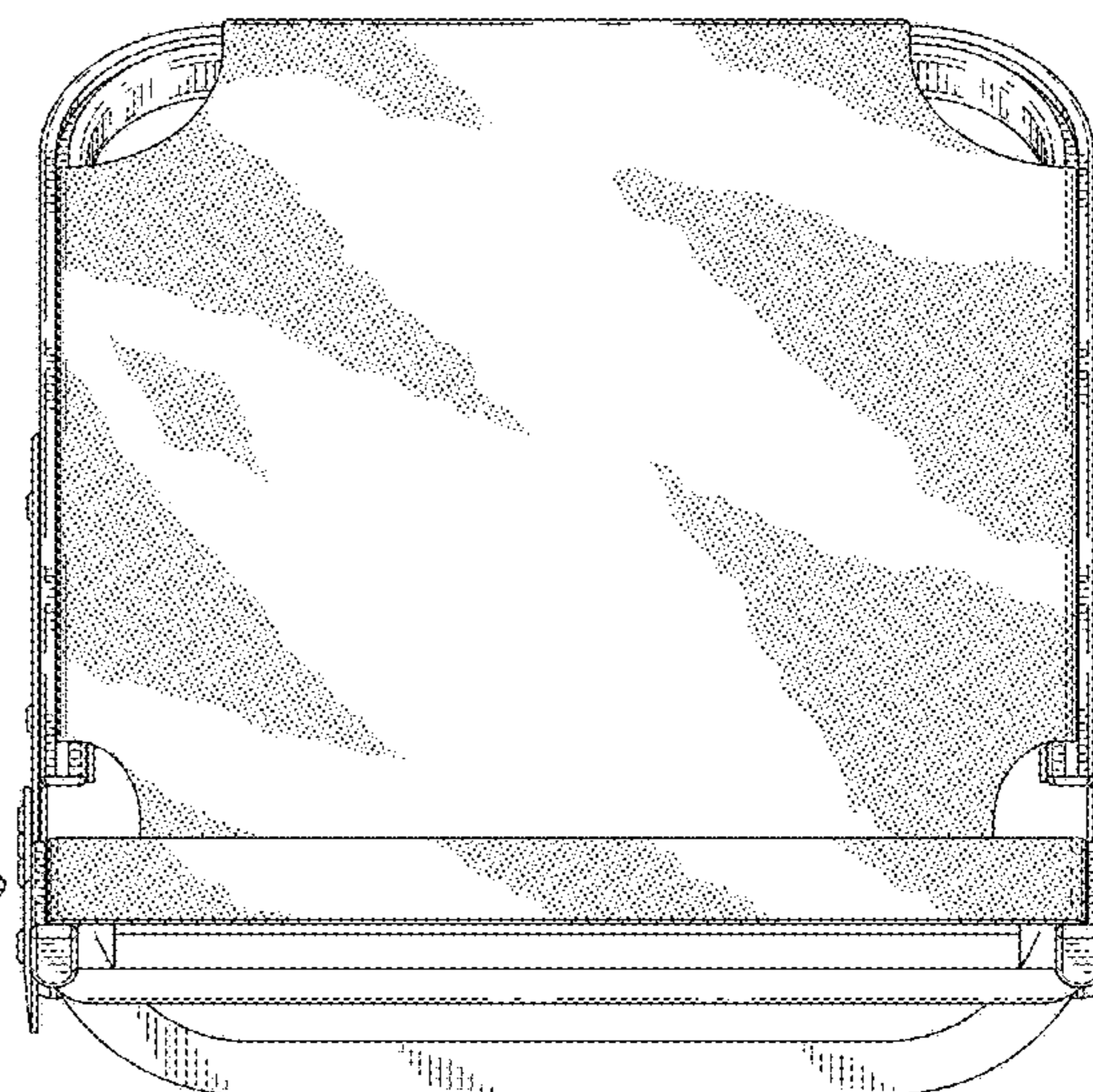
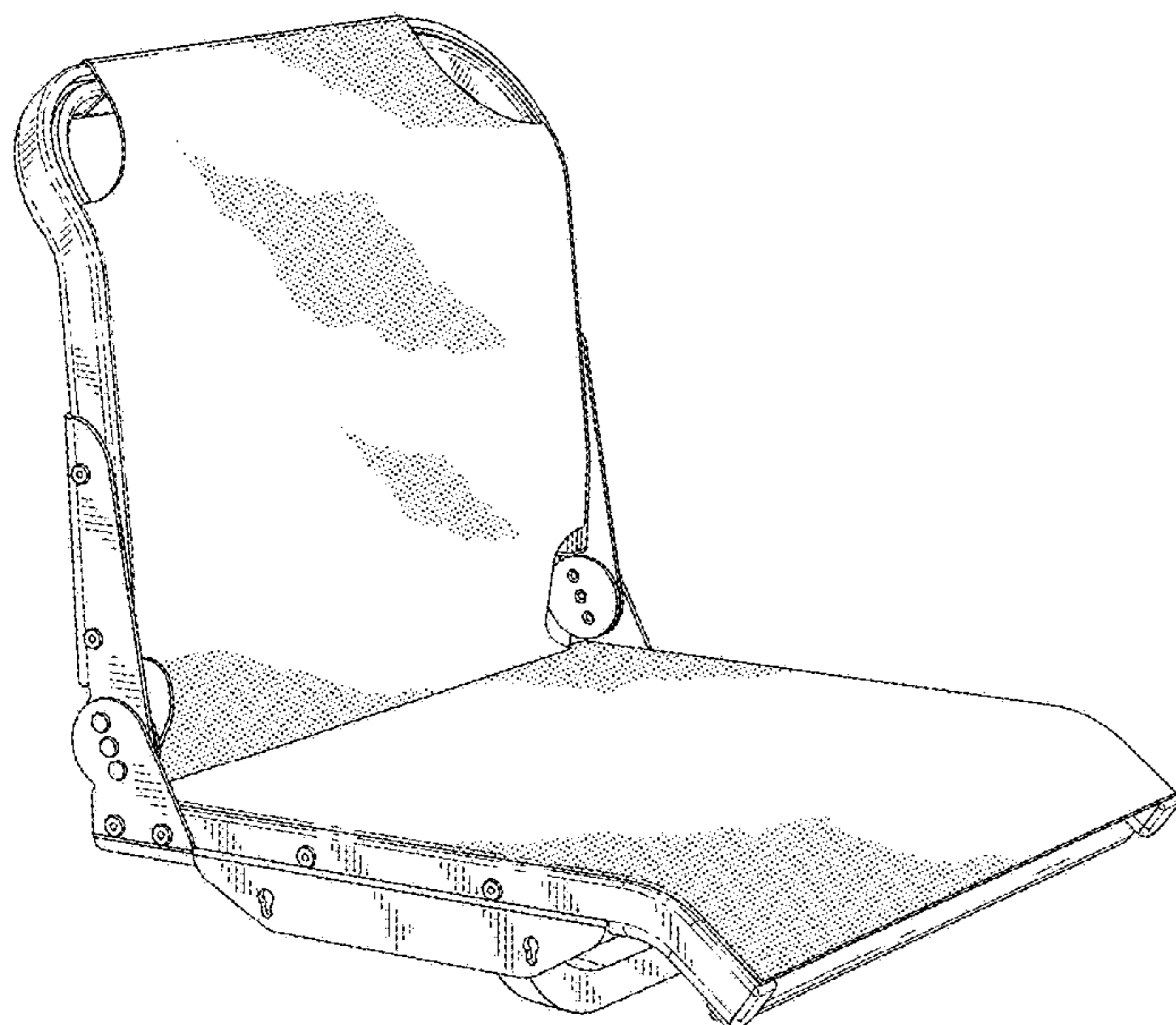
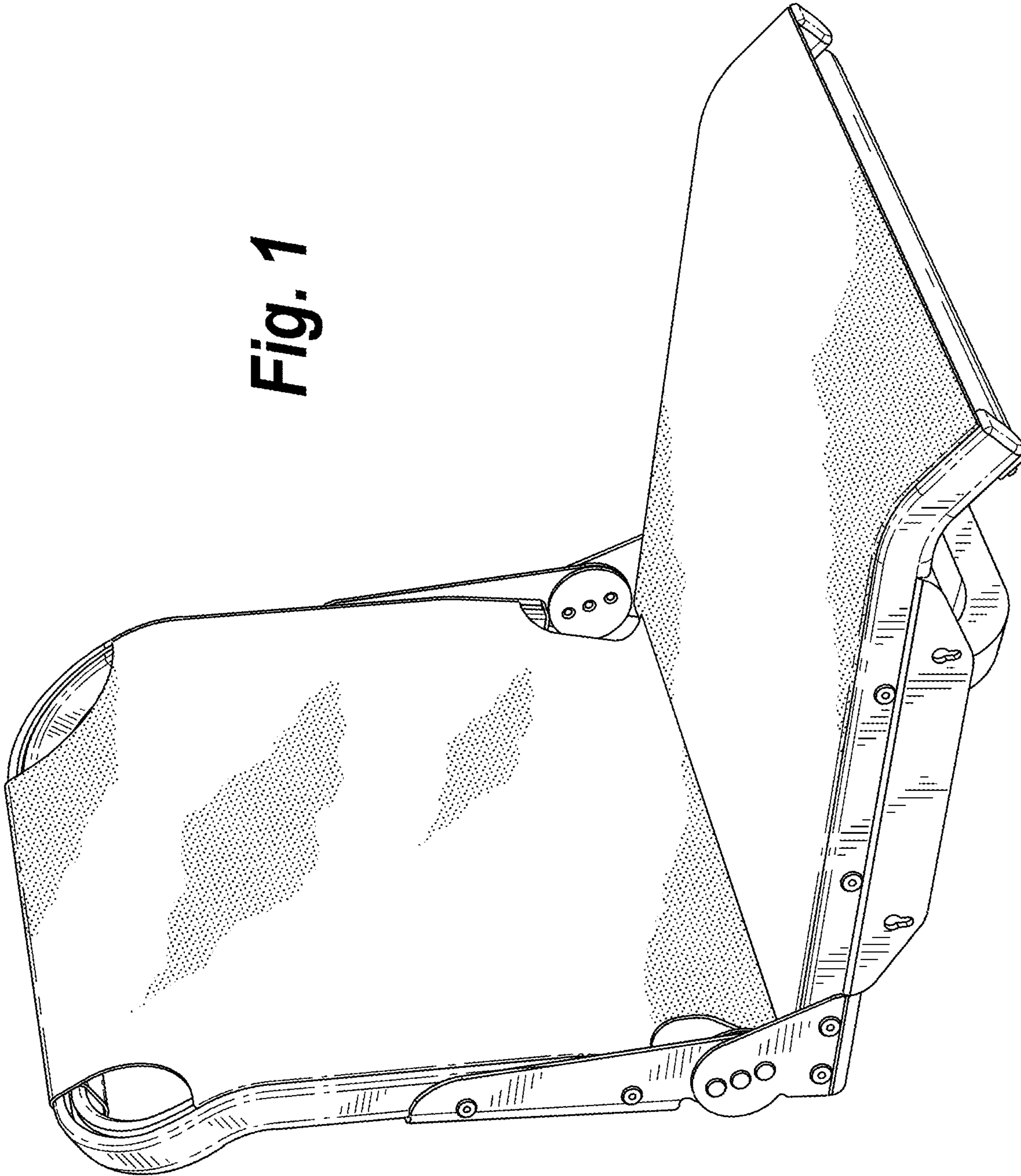


Fig. 1



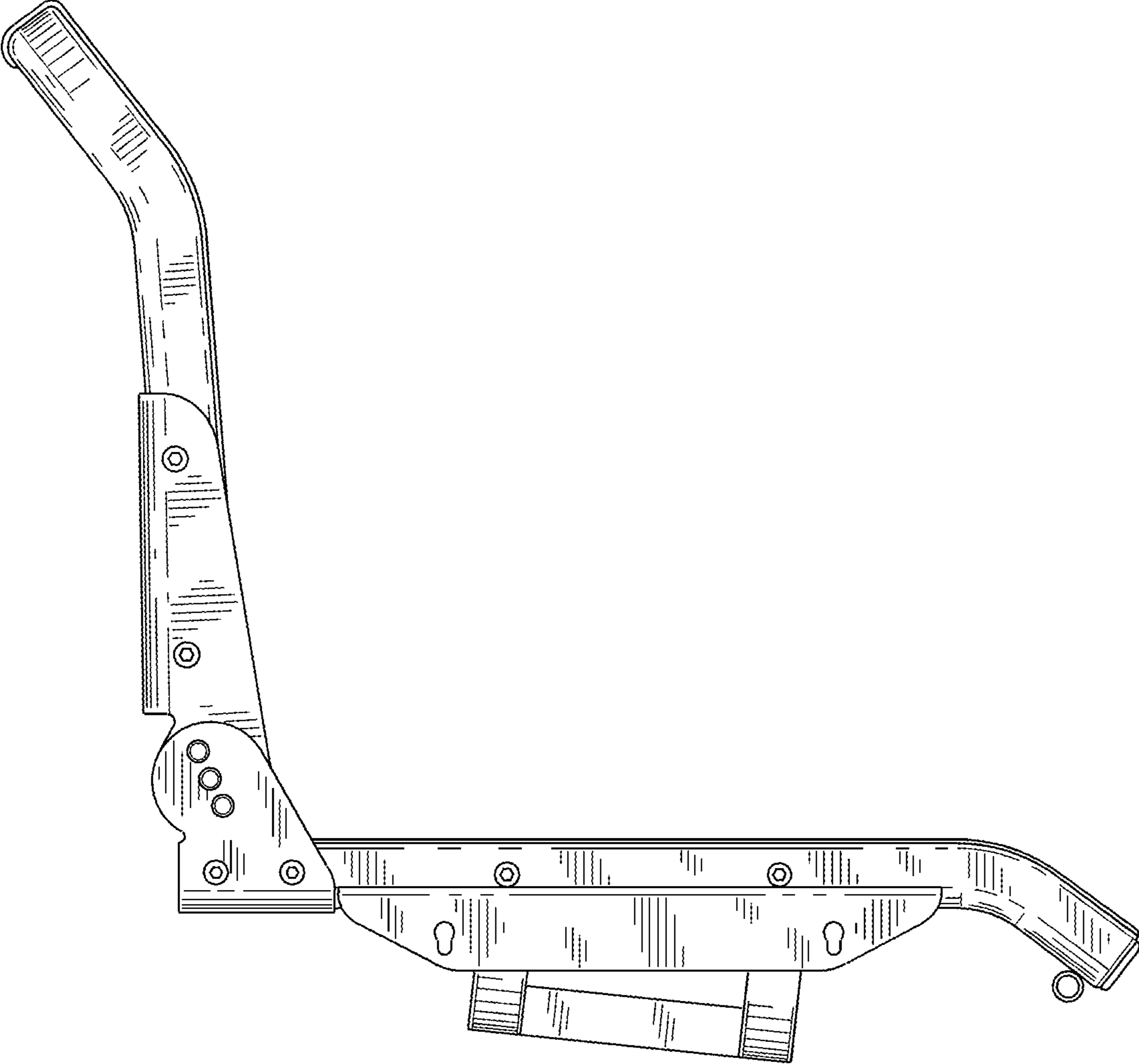


Fig. 2

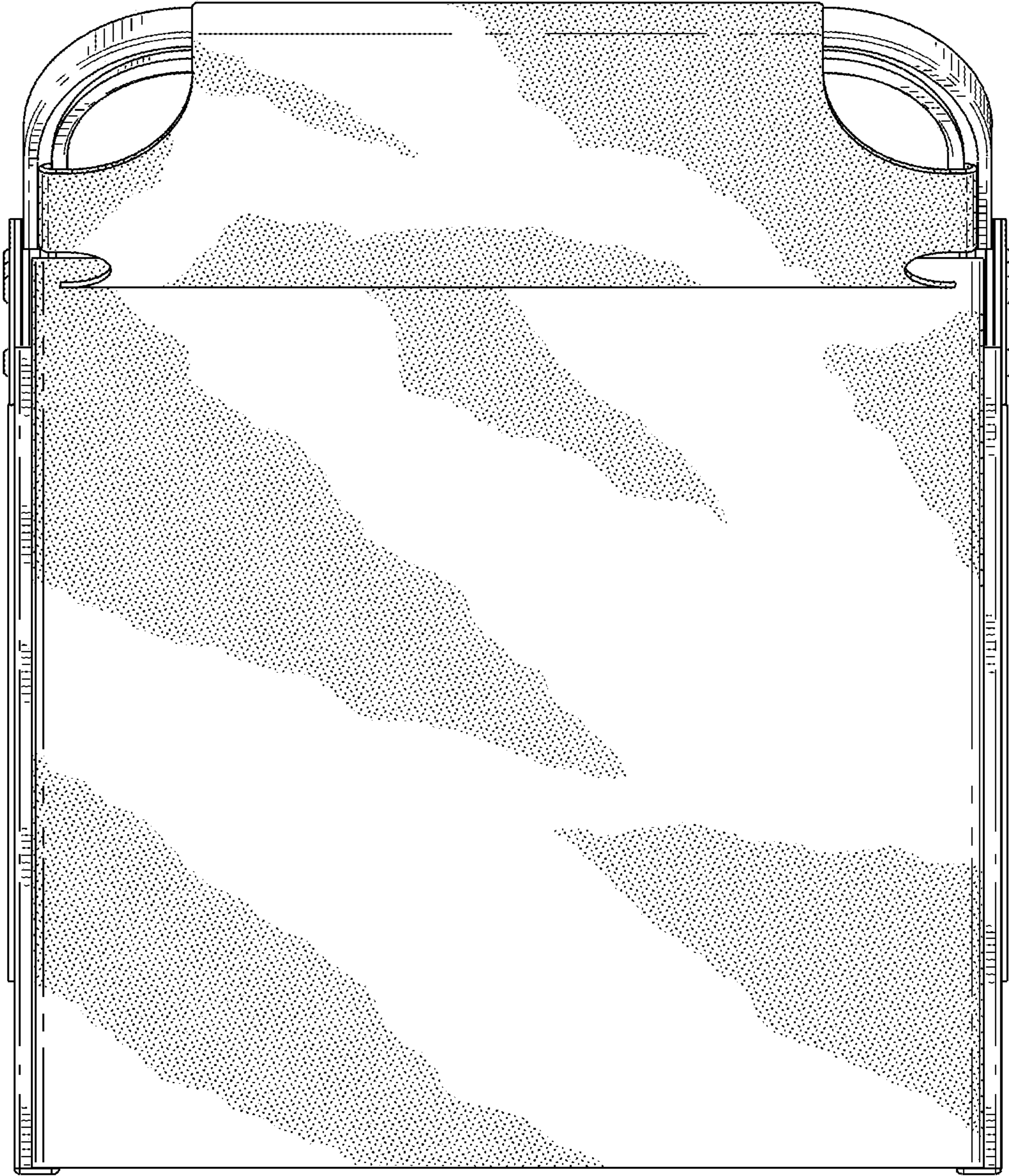


Fig. 3

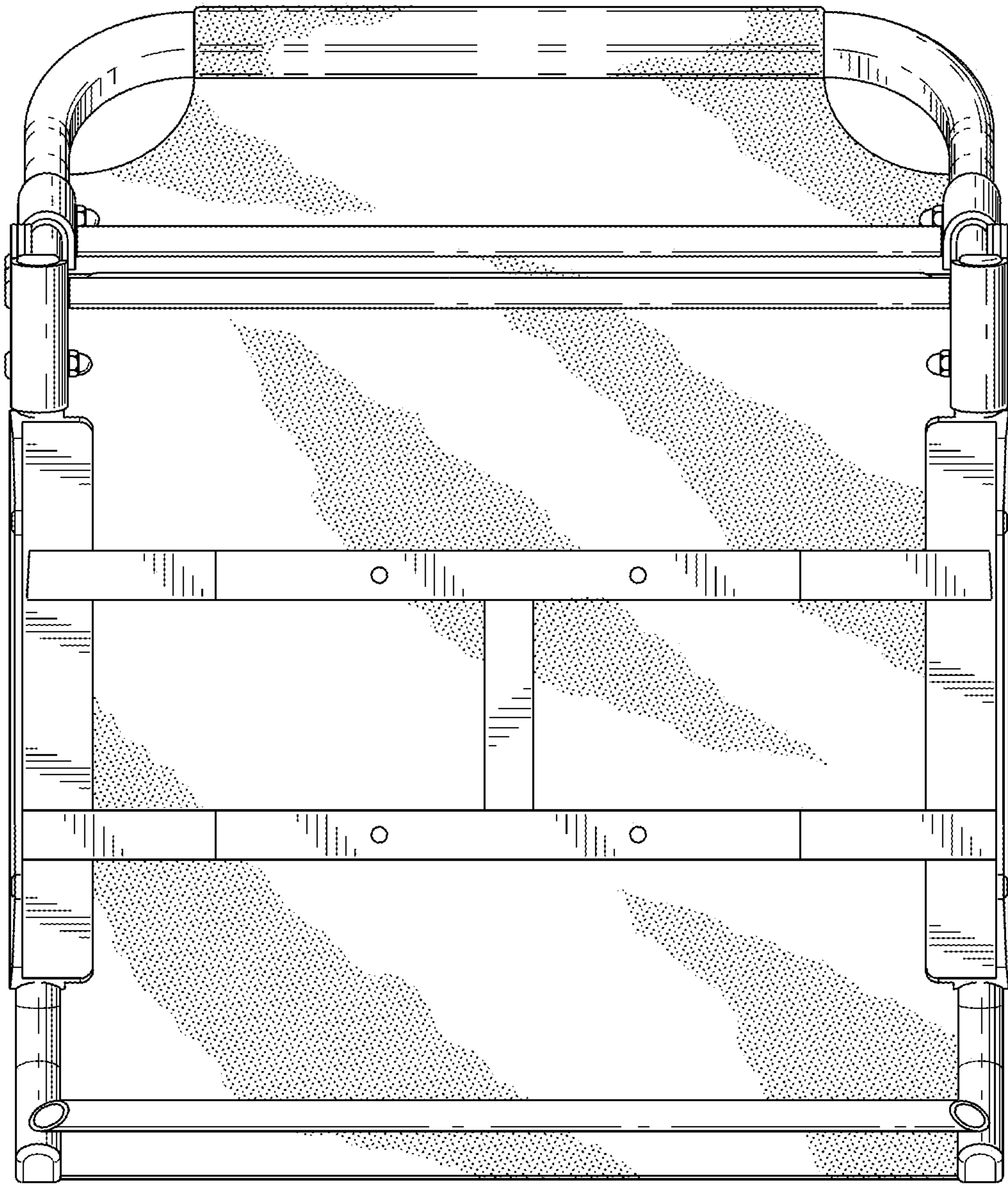


Fig. 4

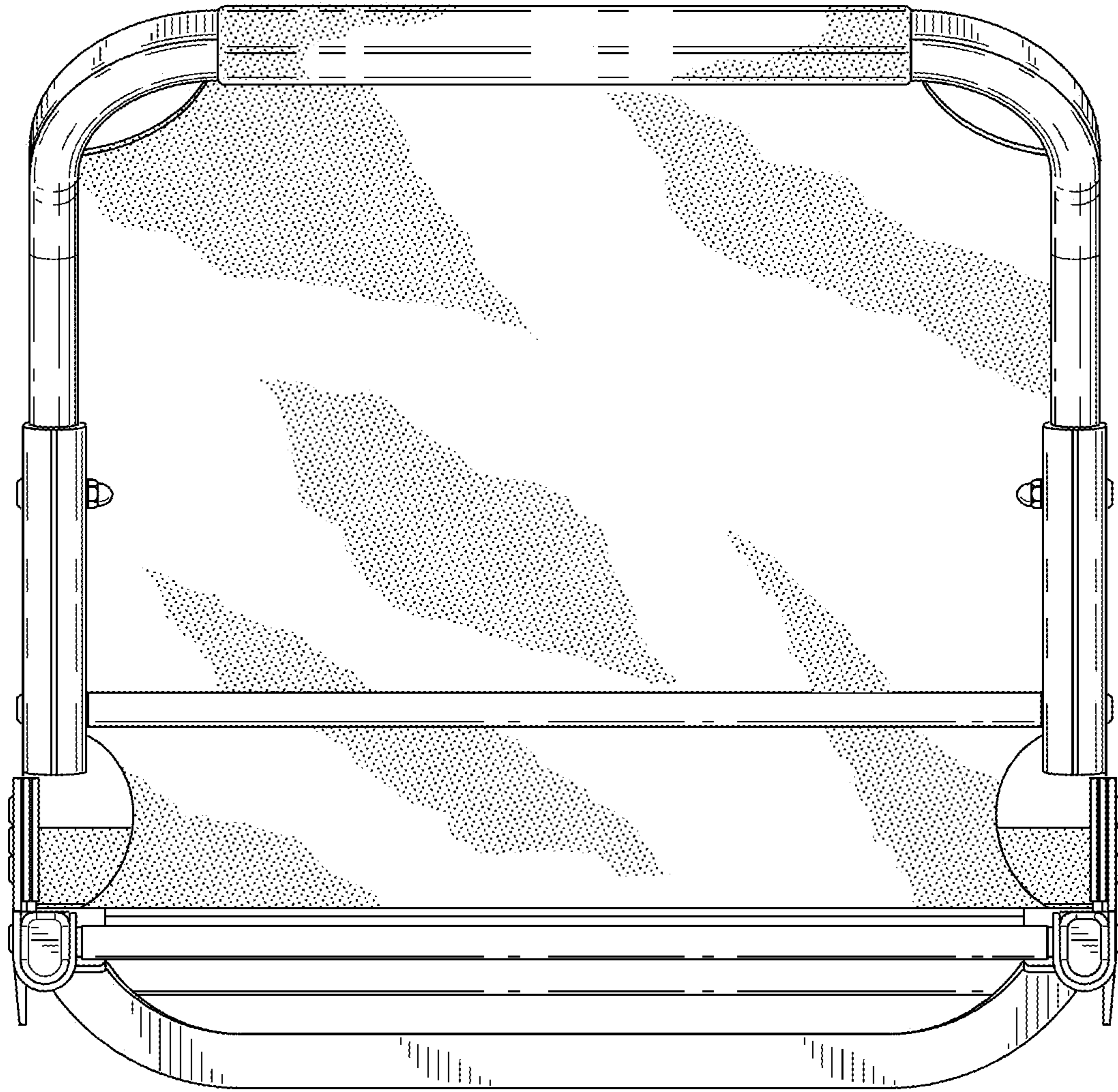


Fig. 5

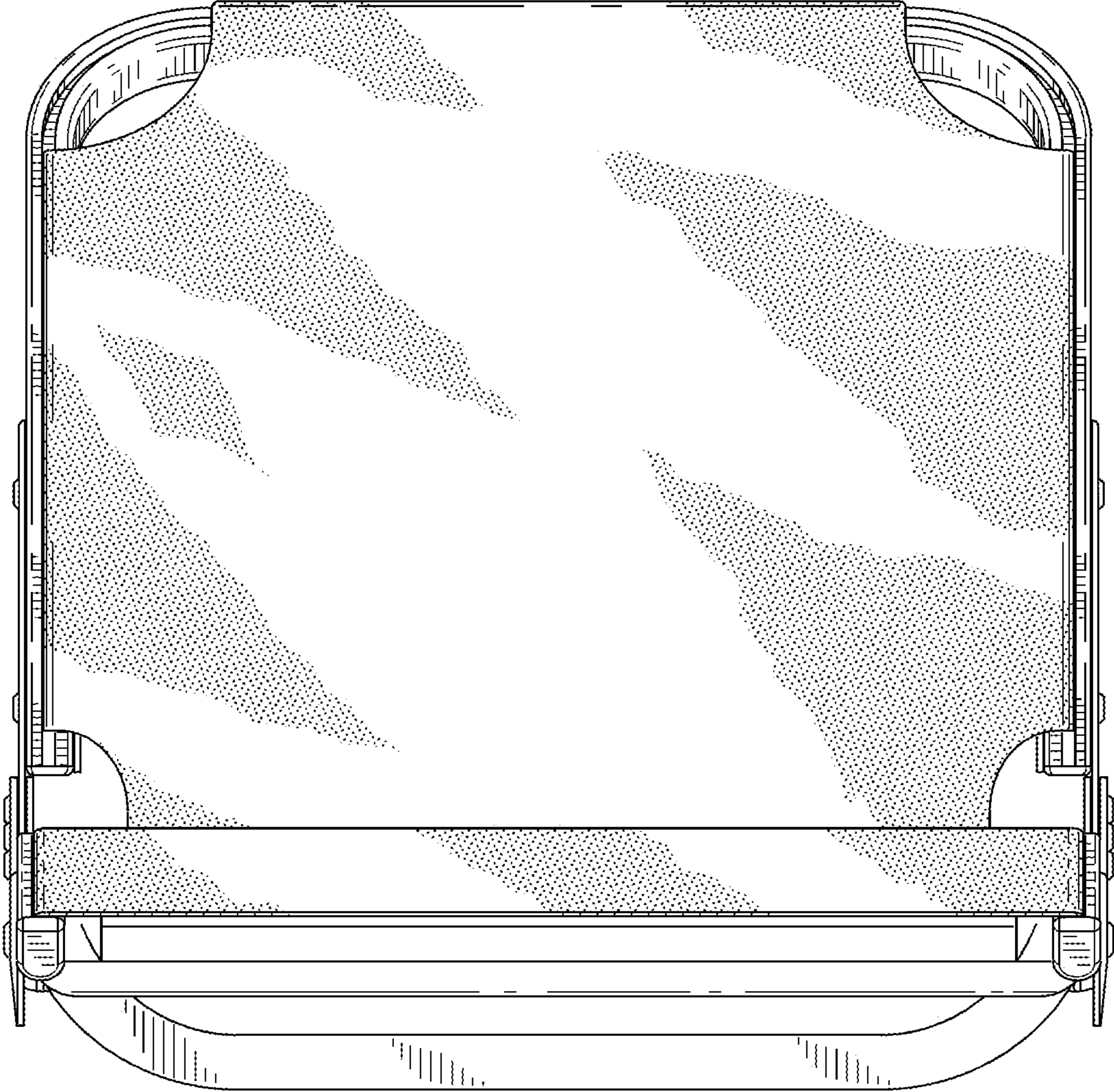


Fig. 6