



US00D896536S

(12) **United States Design Patent**
Tian

(10) **Patent No.:** **US D896,536 S**

(45) **Date of Patent:** **** Sep. 22, 2020**

(54) **CHAIR AND STOOL SET**

D801,708 S * 11/2017 Petruccelli D6/335
D887,162 S * 6/2020 Velez D6/380

(71) Applicant: **Qingwang Tian**, Shenzhen (CN)

* cited by examiner

(72) Inventor: **Qingwang Tian**, Shenzhen (CN)

Primary Examiner — Mary Ann Calabrese

Assistant Examiner — Catherine Ho

(**) Term: **15 Years**

(57) **CLAIM**

(21) Appl. No.: **29/727,615**

The ornamental design for a chair and stool set, as shown and described.

(22) Filed: **Mar. 12, 2020**

DESCRIPTION

(51) **LOC (12) Cl.** **06-01**

(52) **U.S. Cl.**
USPC **D6/335**

(58) **Field of Classification Search**
USPC D6/334, 335, 349, 374, 378, 650
CPC .. A47C 1/00; A47C 3/38; A47C 7/006; A47C
13/00; A47C 15/00
See application file for complete search history.

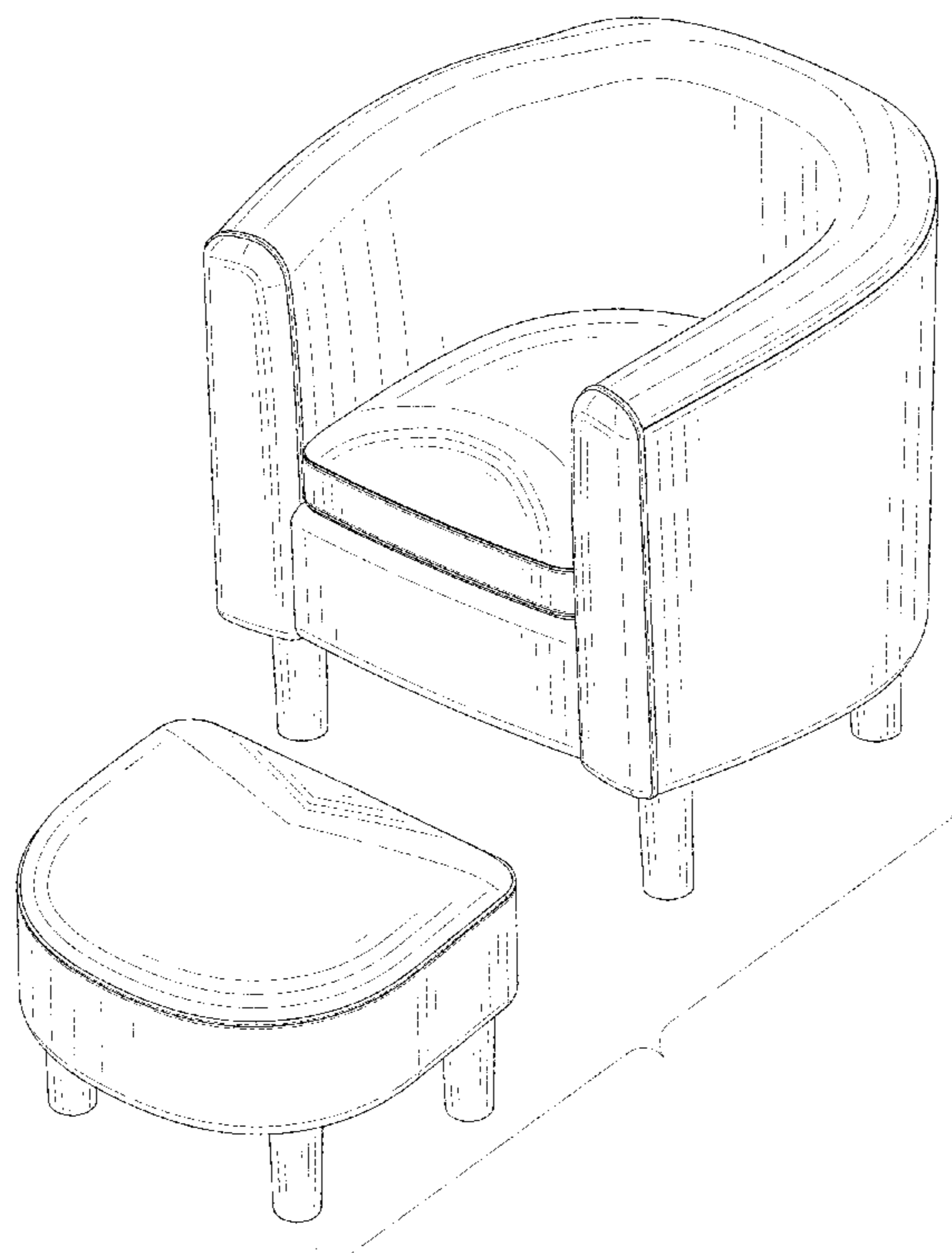
FIG. 1 is a perspective view of a chair and stool set, with the stool removed for clarity of disclosure; FIG. 2 is a bottom perspective view thereof; FIG. 3 is a front elevational view thereof; FIG. 4 is a rear elevational view thereof; FIG. 5 is a left side elevational view thereof; FIG. 6 is a right side elevational view thereof; FIG. 7 is a top plan view thereof; FIG. 8 is a bottom plan view thereof; FIG. 9 is a perspective view of the chair and stool set, with the chair removed for clarity of disclosure; FIG. 10 is a bottom perspective view thereof; FIG. 11 is a front elevational view thereof; FIG. 12 is a rear elevational view thereof; FIG. 13 is a left side elevational view thereof; FIG. 14 is a right side elevational view thereof; FIG. 15 is a top plan view thereof; FIG. 16 is a bottom plan view thereof; FIG. 17 is a perspective view of the chair and stool set in a stashed position; and, FIG. 18 is a perspective view of the chair and stool set.

(56) **References Cited**

U.S. PATENT DOCUMENTS

D327,583 S *	7/1992	Dettinger	D6/334
D337,450 S *	7/1993	Dettinger	D6/334
D383,006 S *	9/1997	Hutton	D6/334
D505,276 S *	5/2005	Cronk	D6/334
D508,335 S *	8/2005	Ghetti	D6/335
D596,414 S *	7/2009	Natuzzi	D6/334
D597,328 S *	8/2009	Schweikarth	D6/355
D612,622 S *	3/2010	Paulin	D6/334
D618,935 S *	7/2010	Metcalf	D6/349
D689,290 S *	9/2013	Chen	D6/334
D701,719 S	4/2014	Haase		
D723,814 S	3/2015	Hagstrom		
D724,854 S *	3/2015	Lee	D6/334

1 Claim, 18 Drawing Sheets



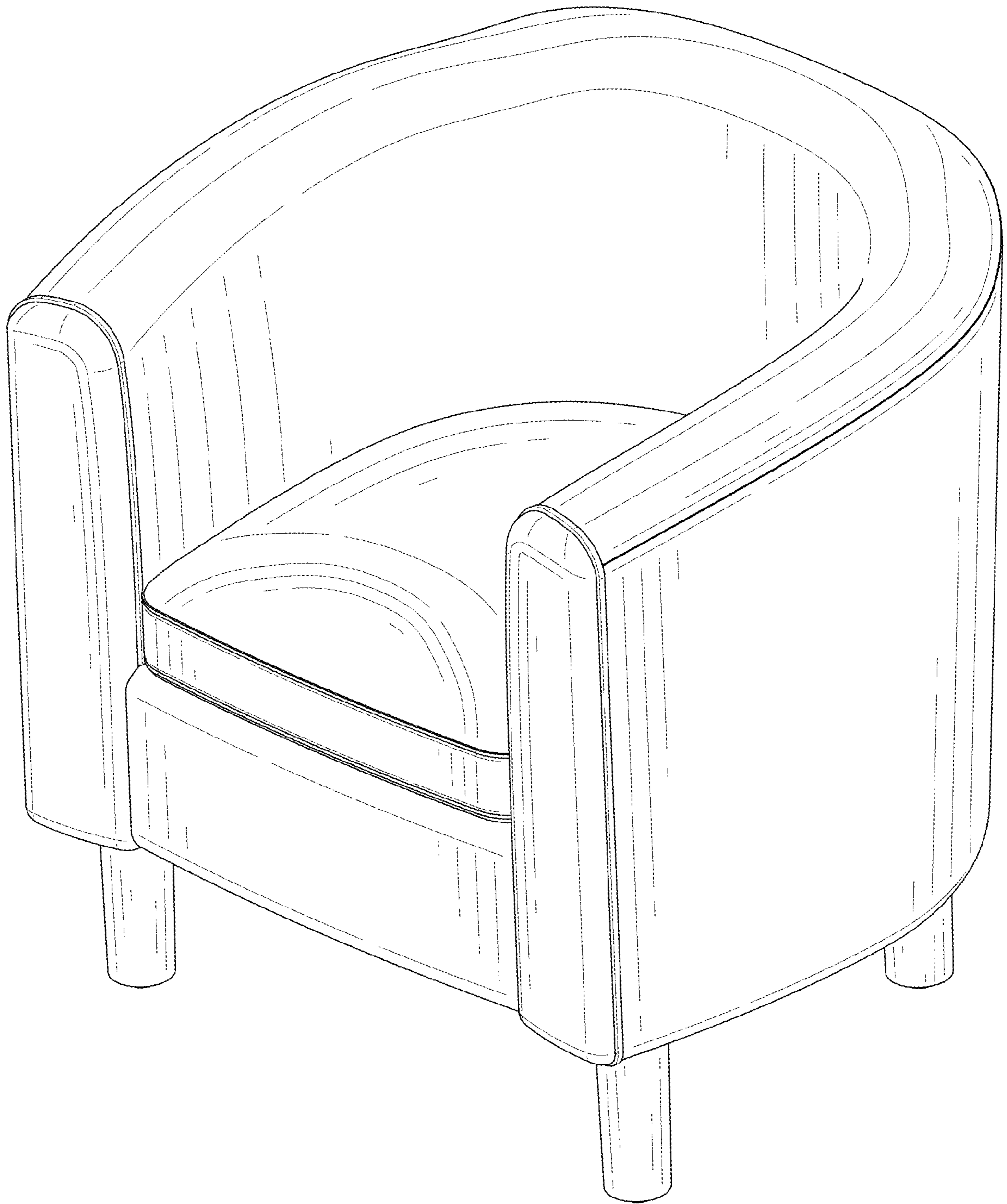


FIG. 1

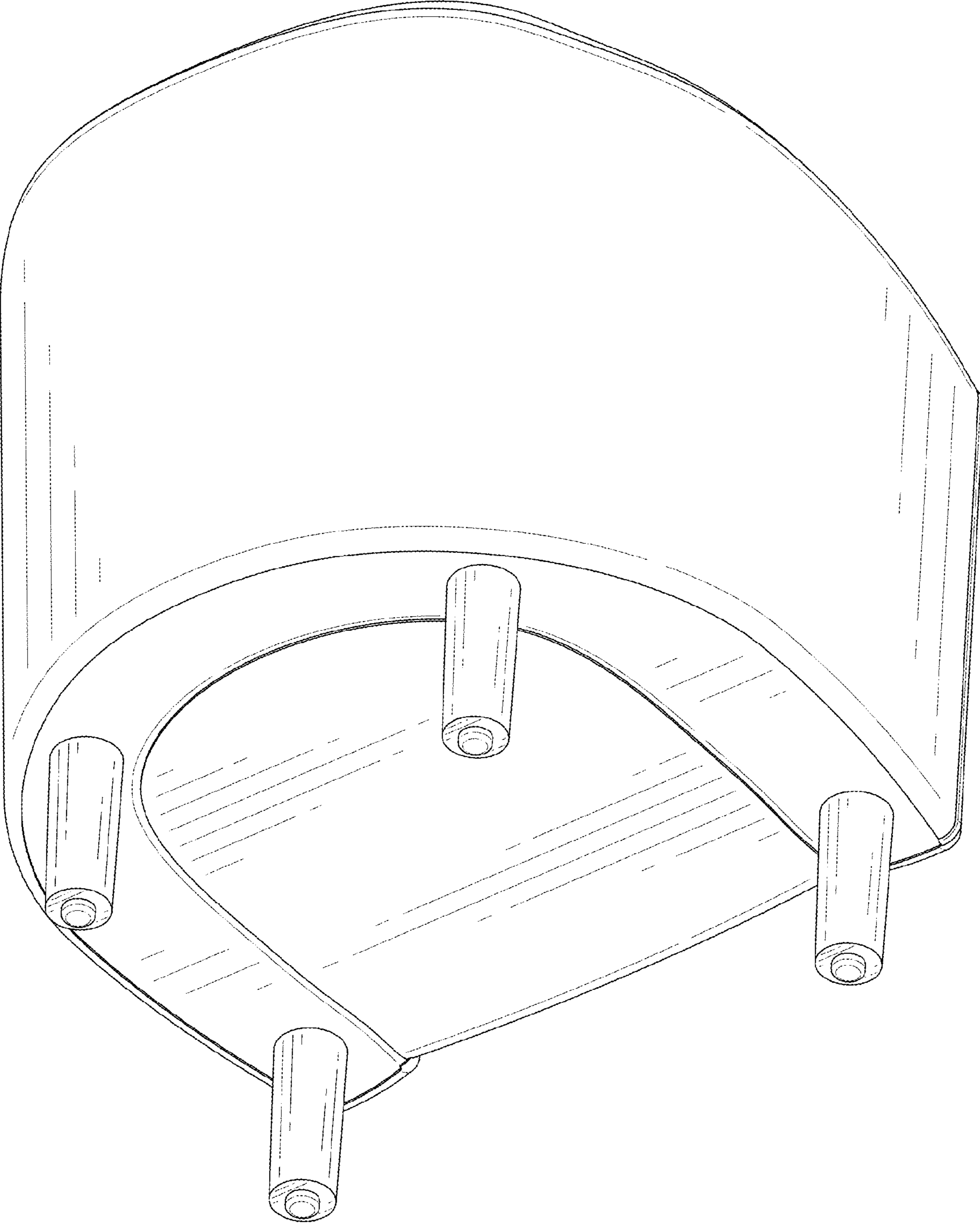


FIG. 2

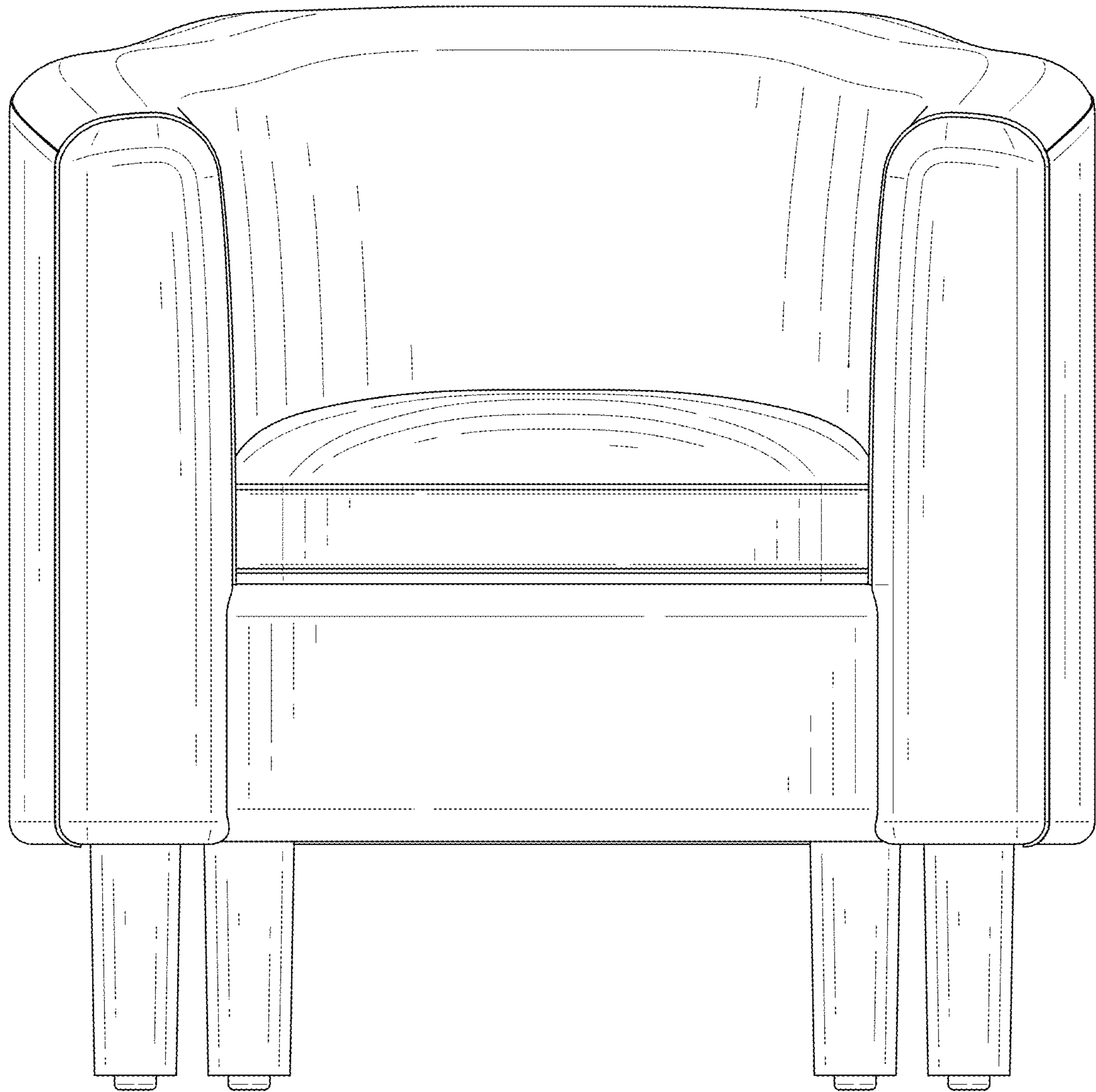


FIG. 3

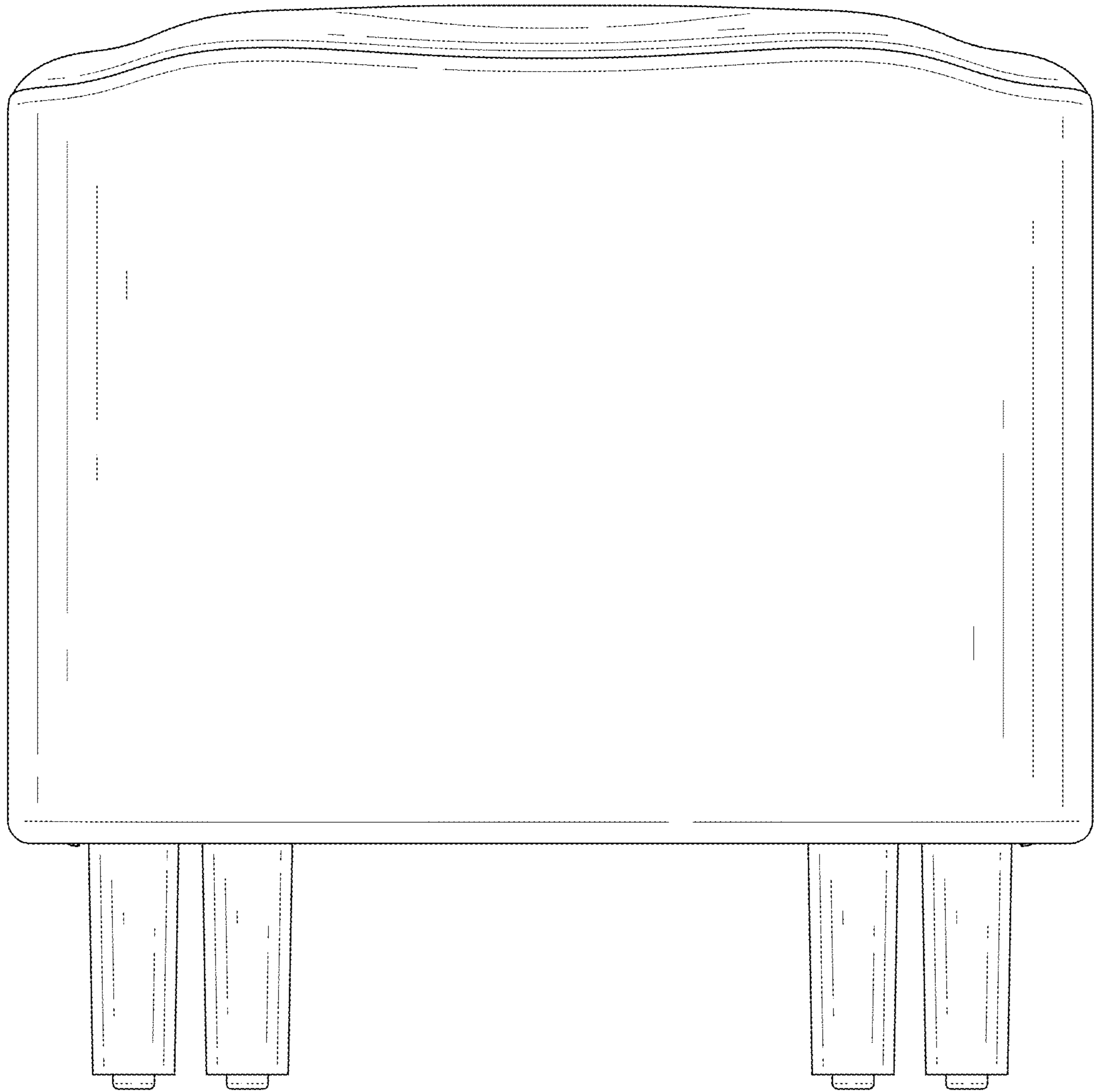


FIG. 4

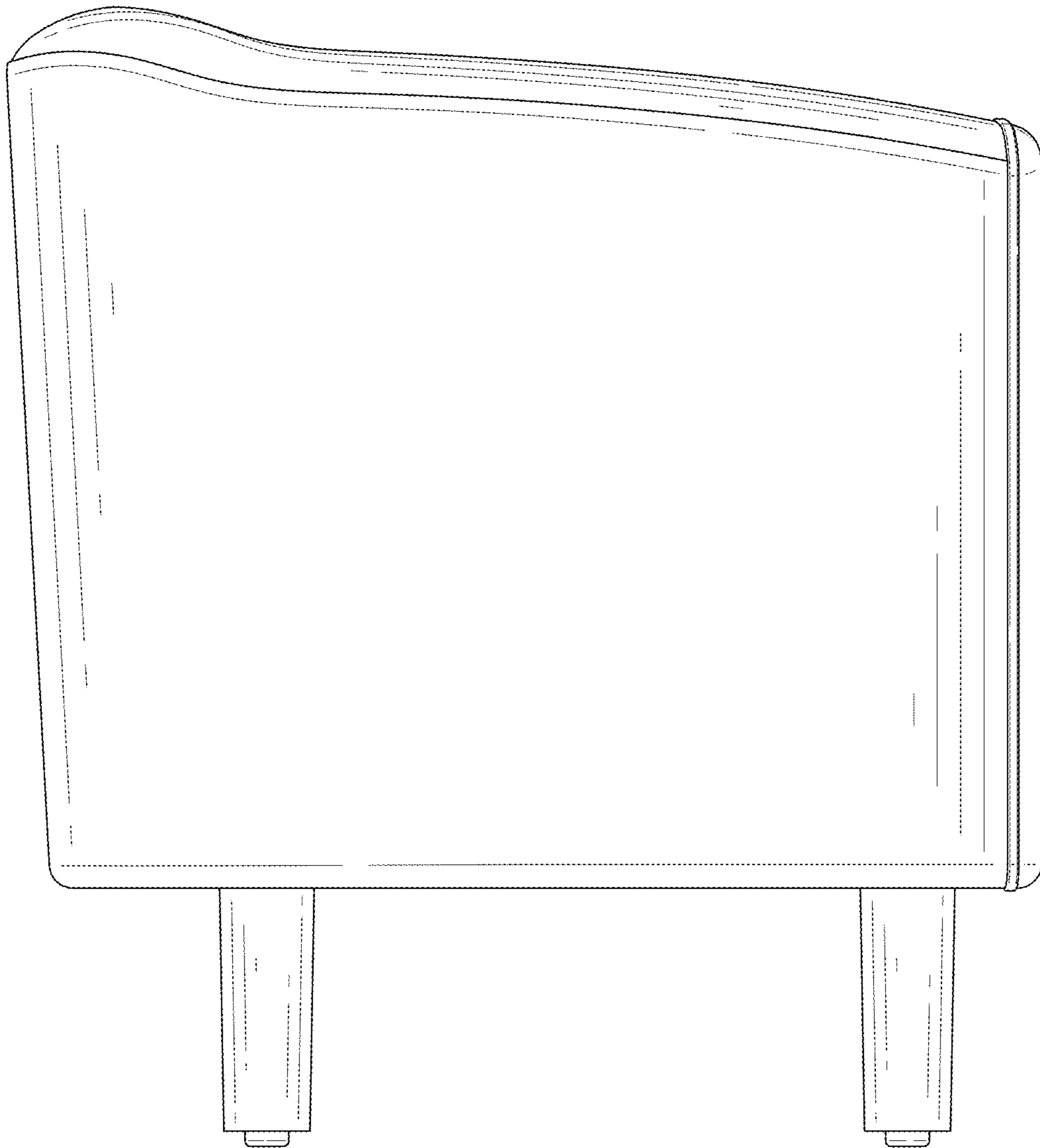


FIG. 5

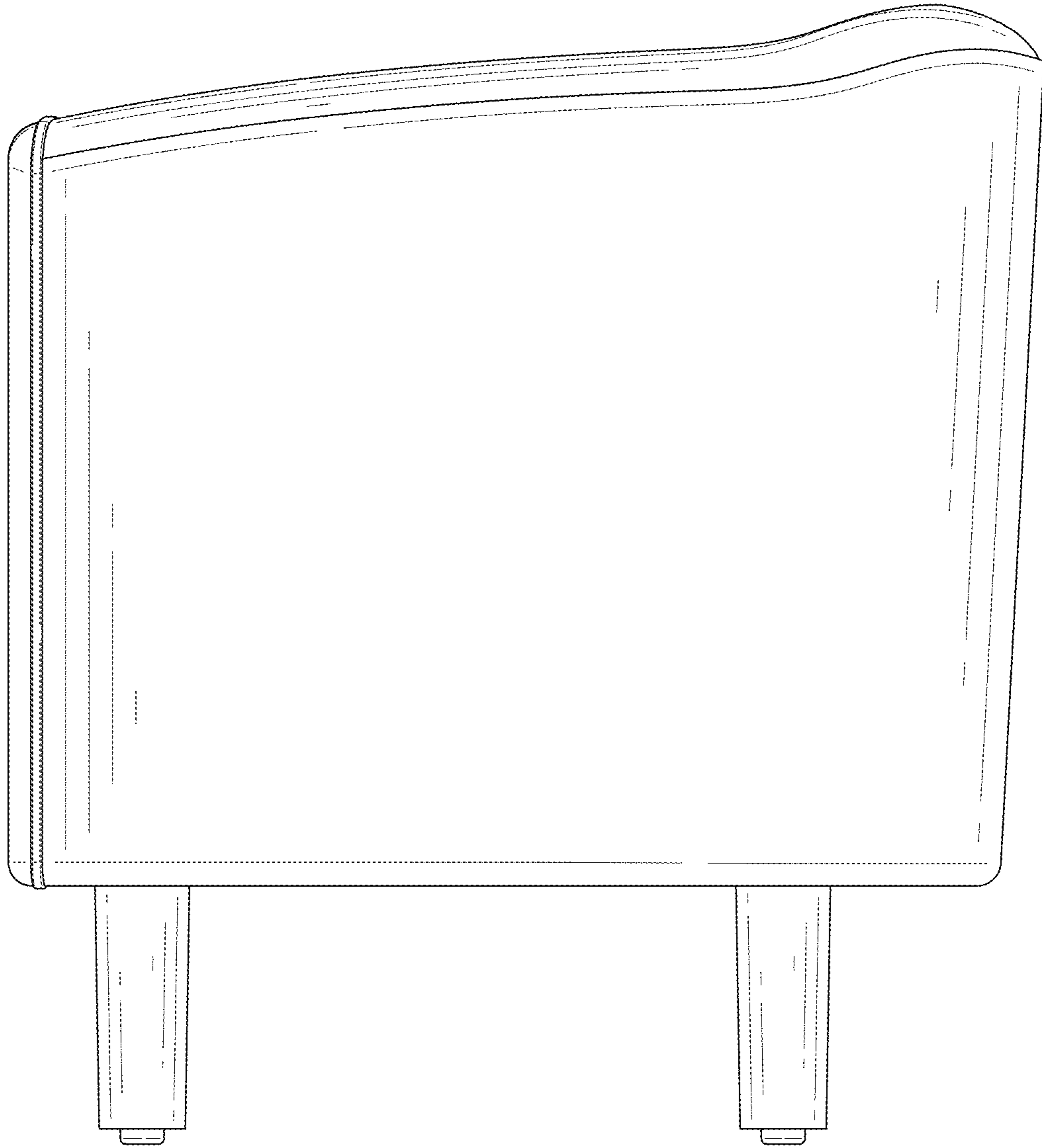


FIG. 6

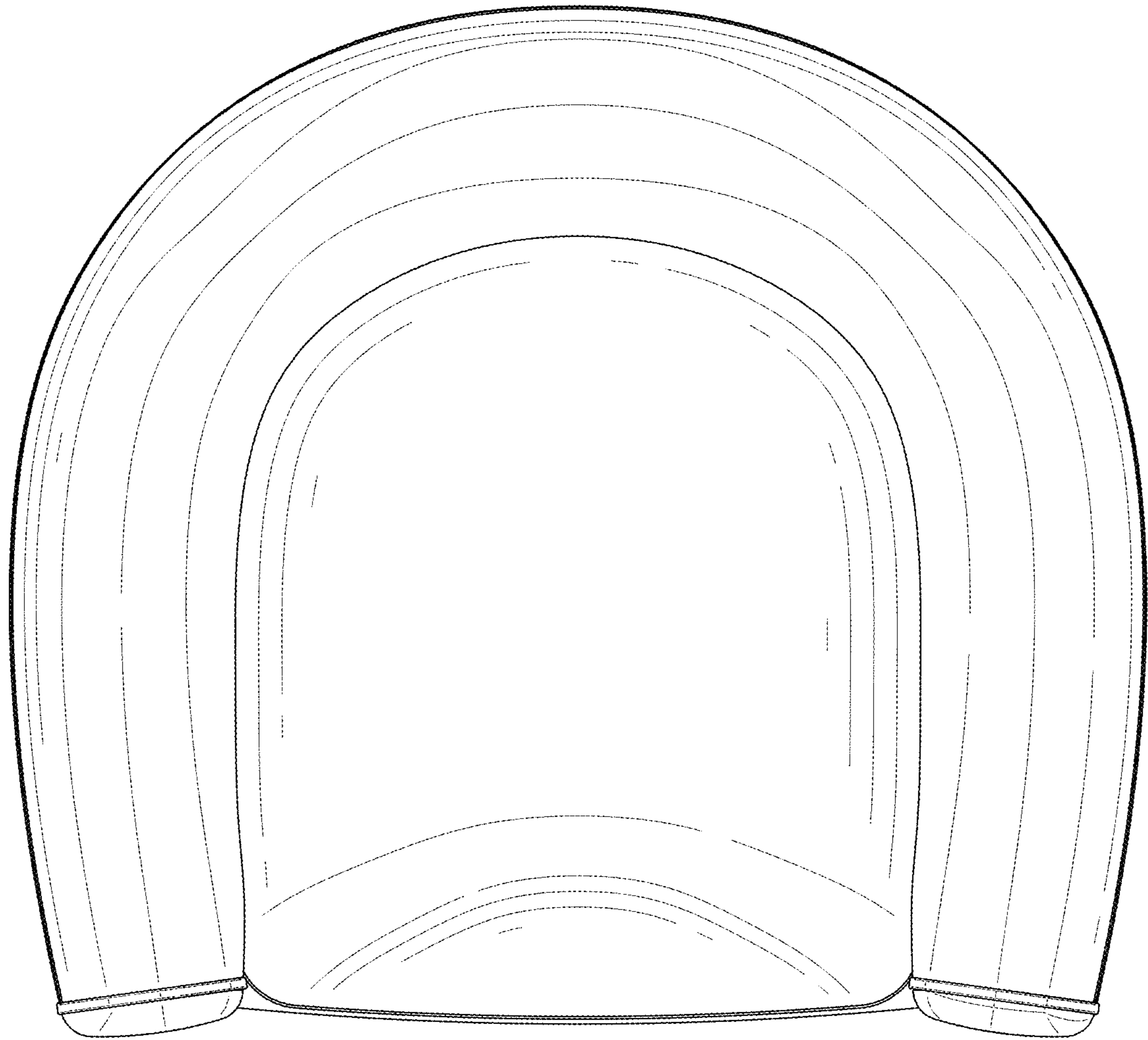


FIG. 7

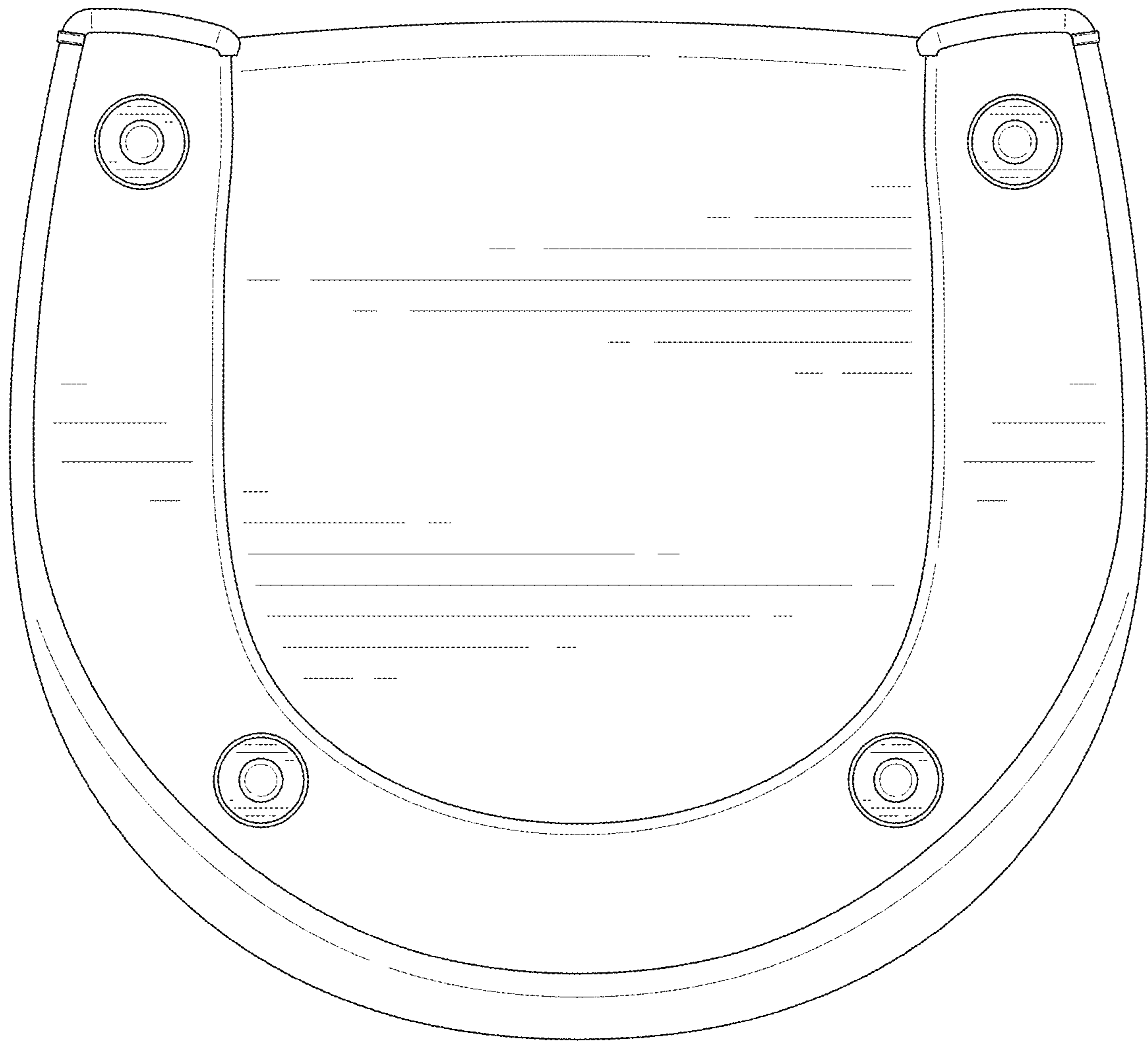


FIG. 8

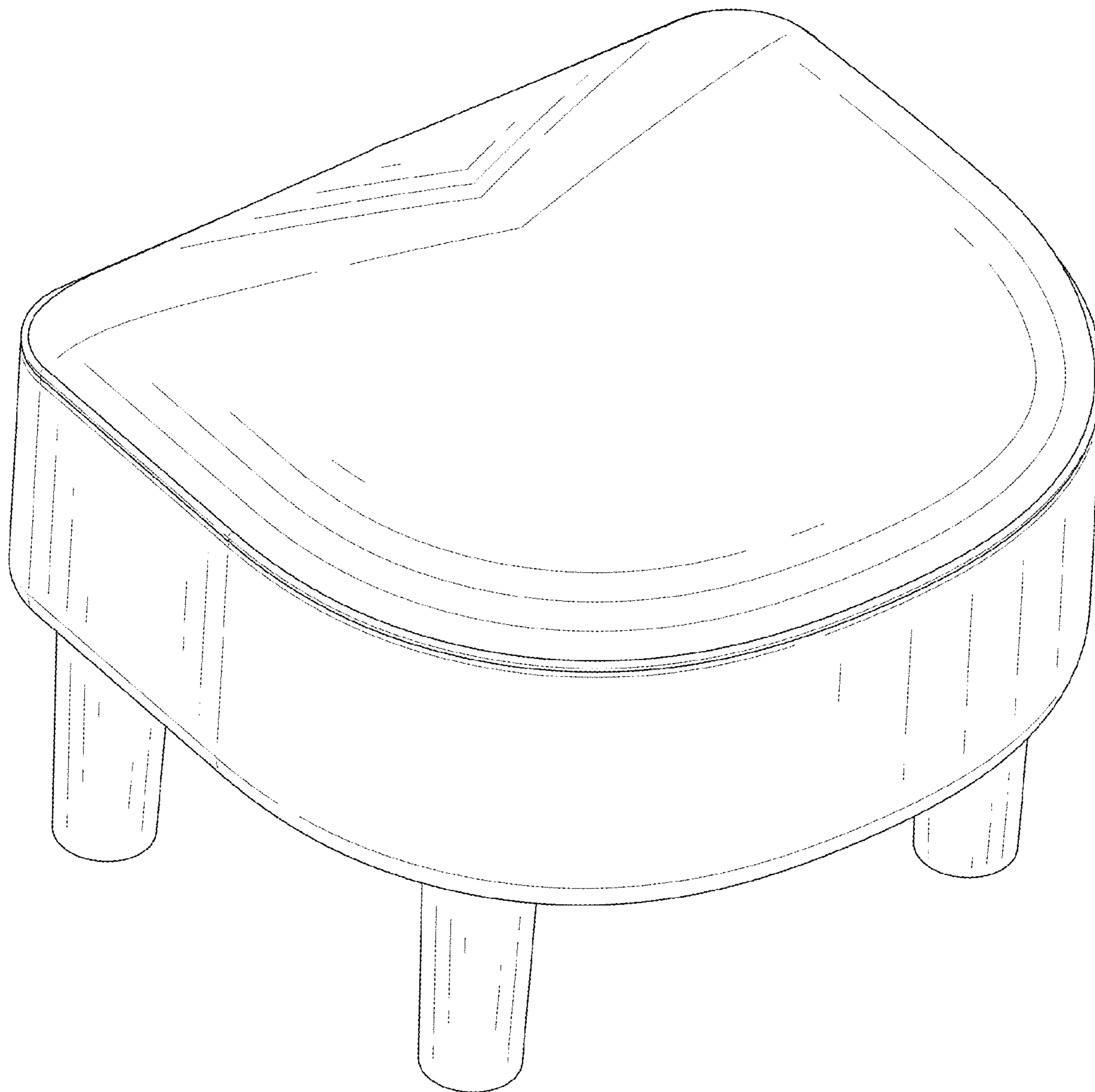


FIG. 9

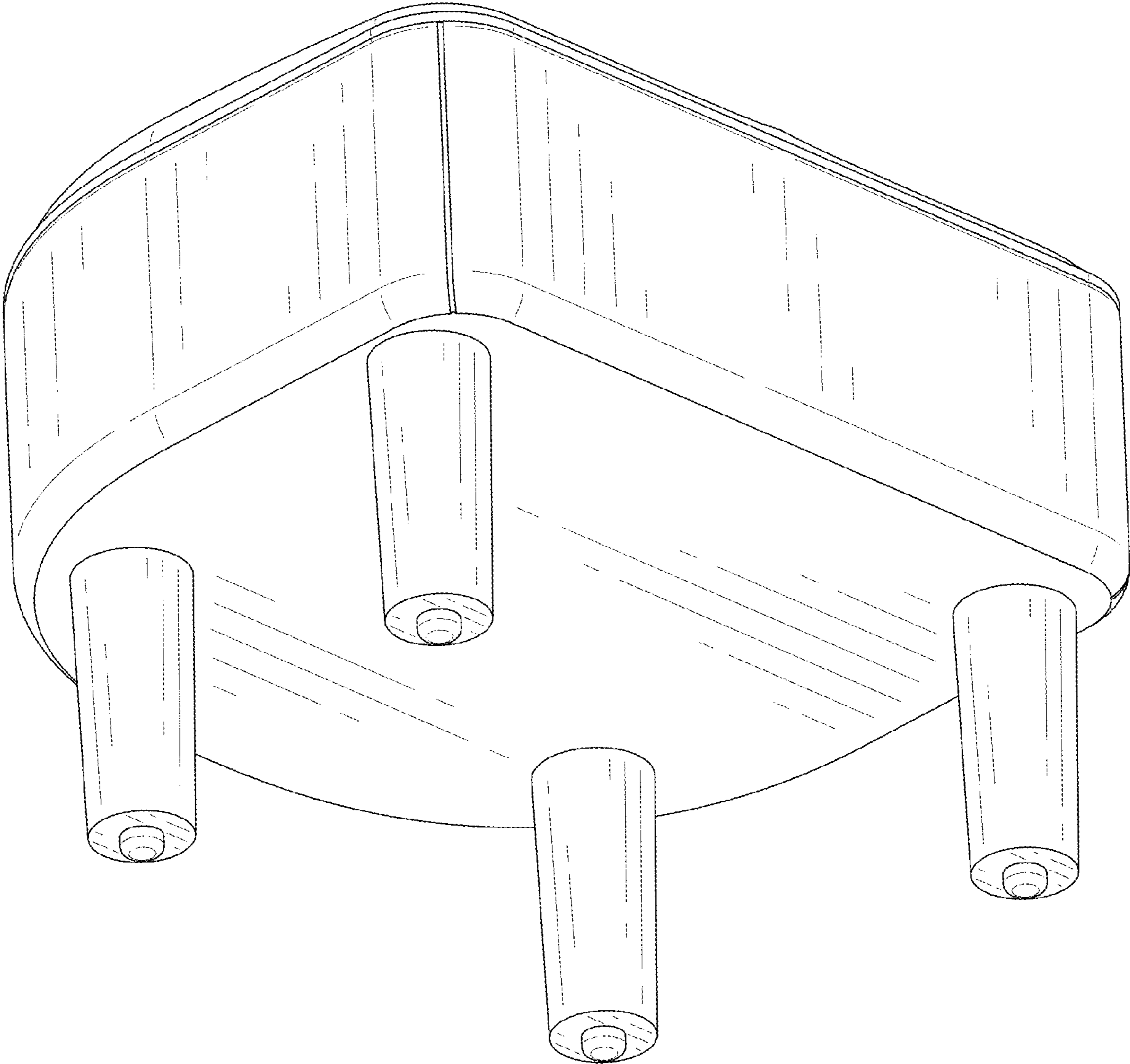


FIG. 10

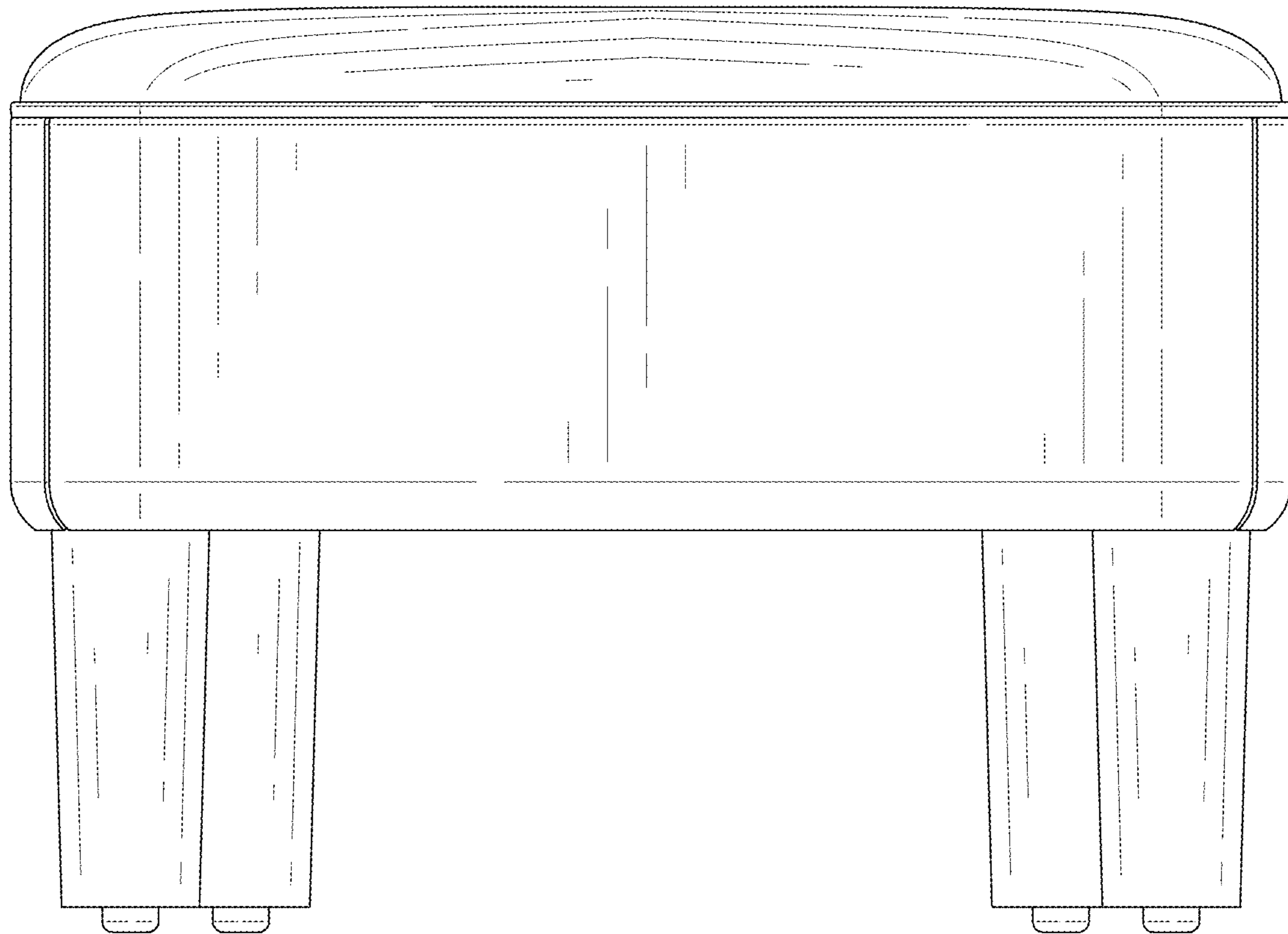


FIG. 11

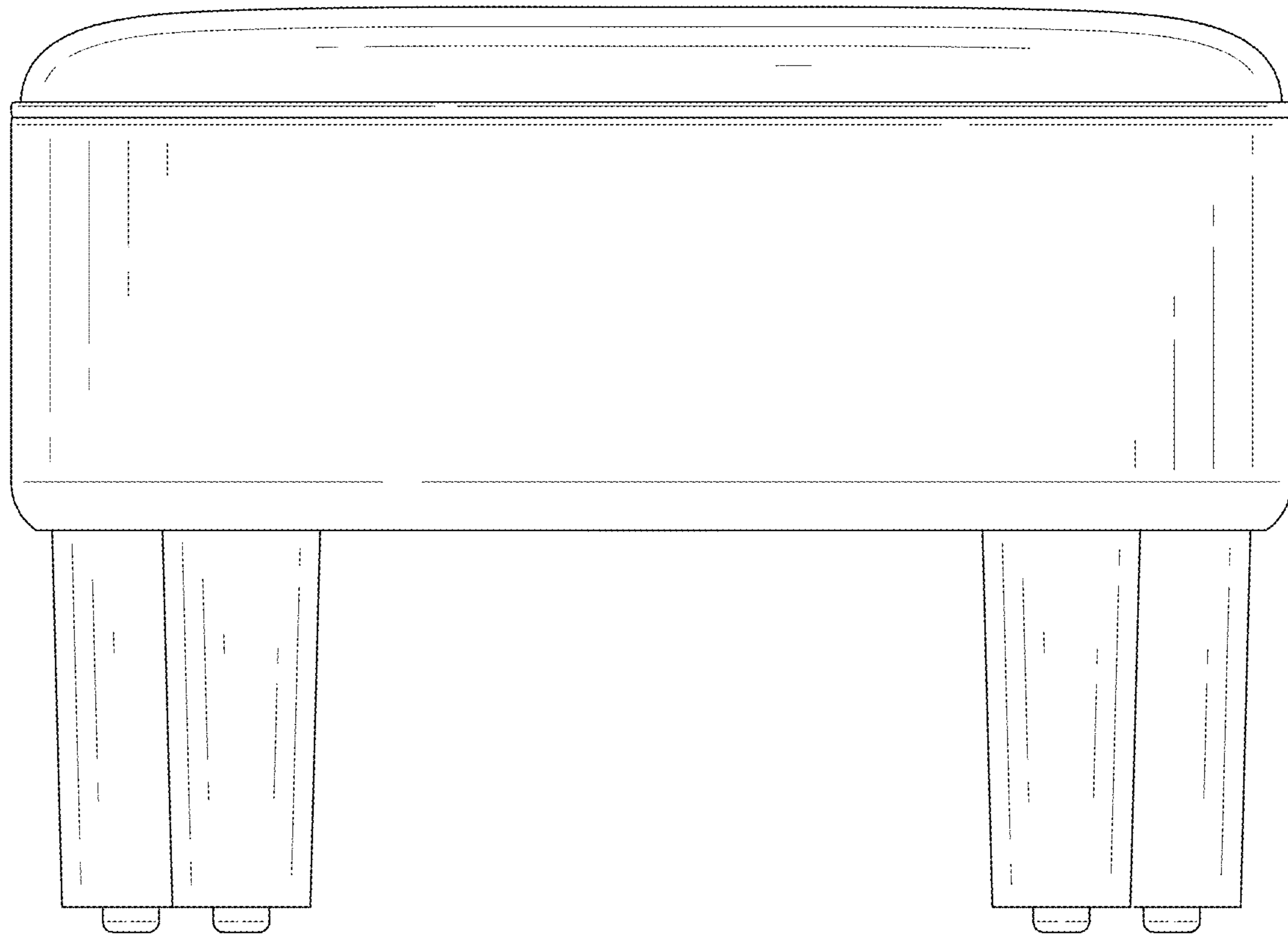


FIG. 12

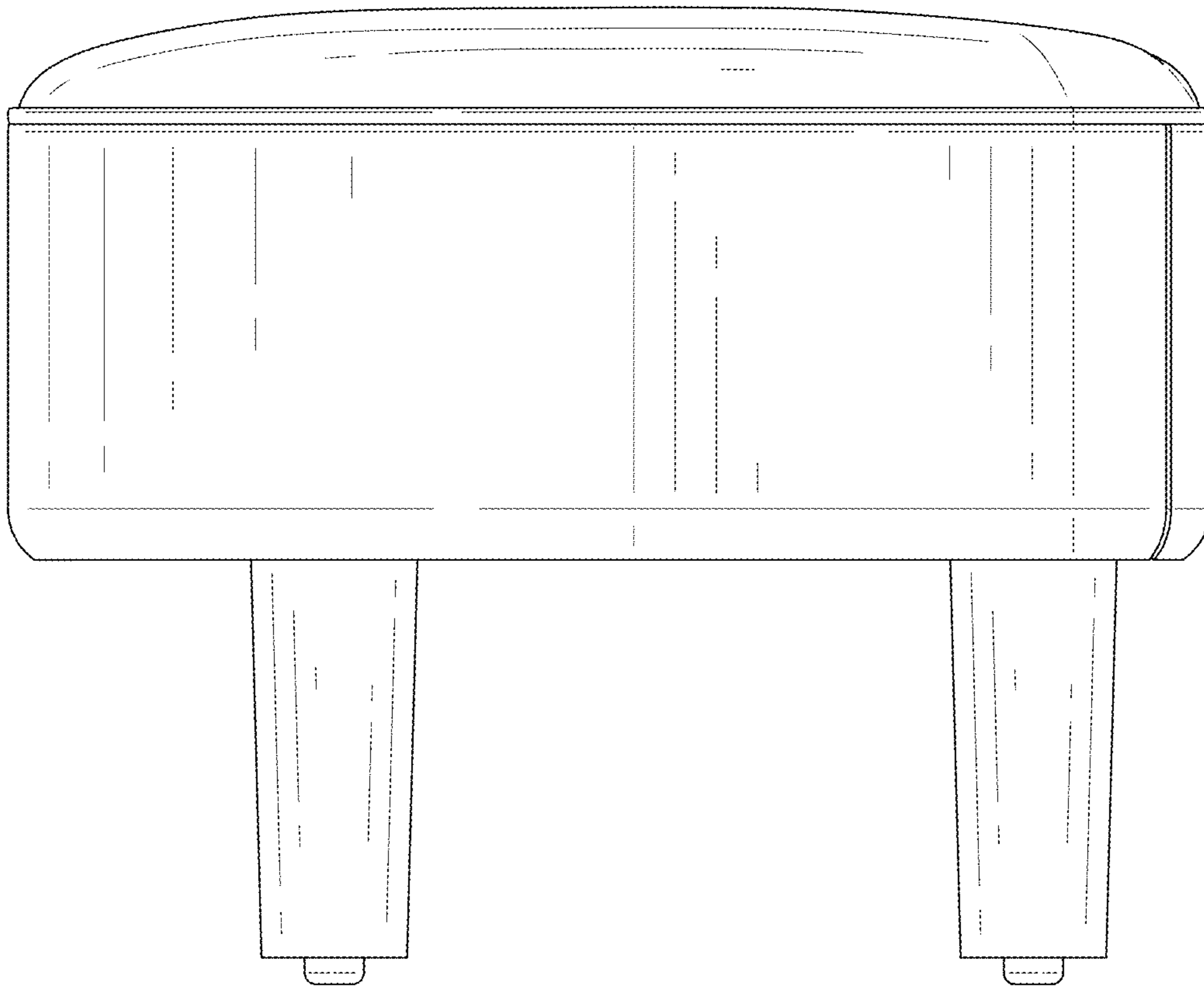


FIG. 13

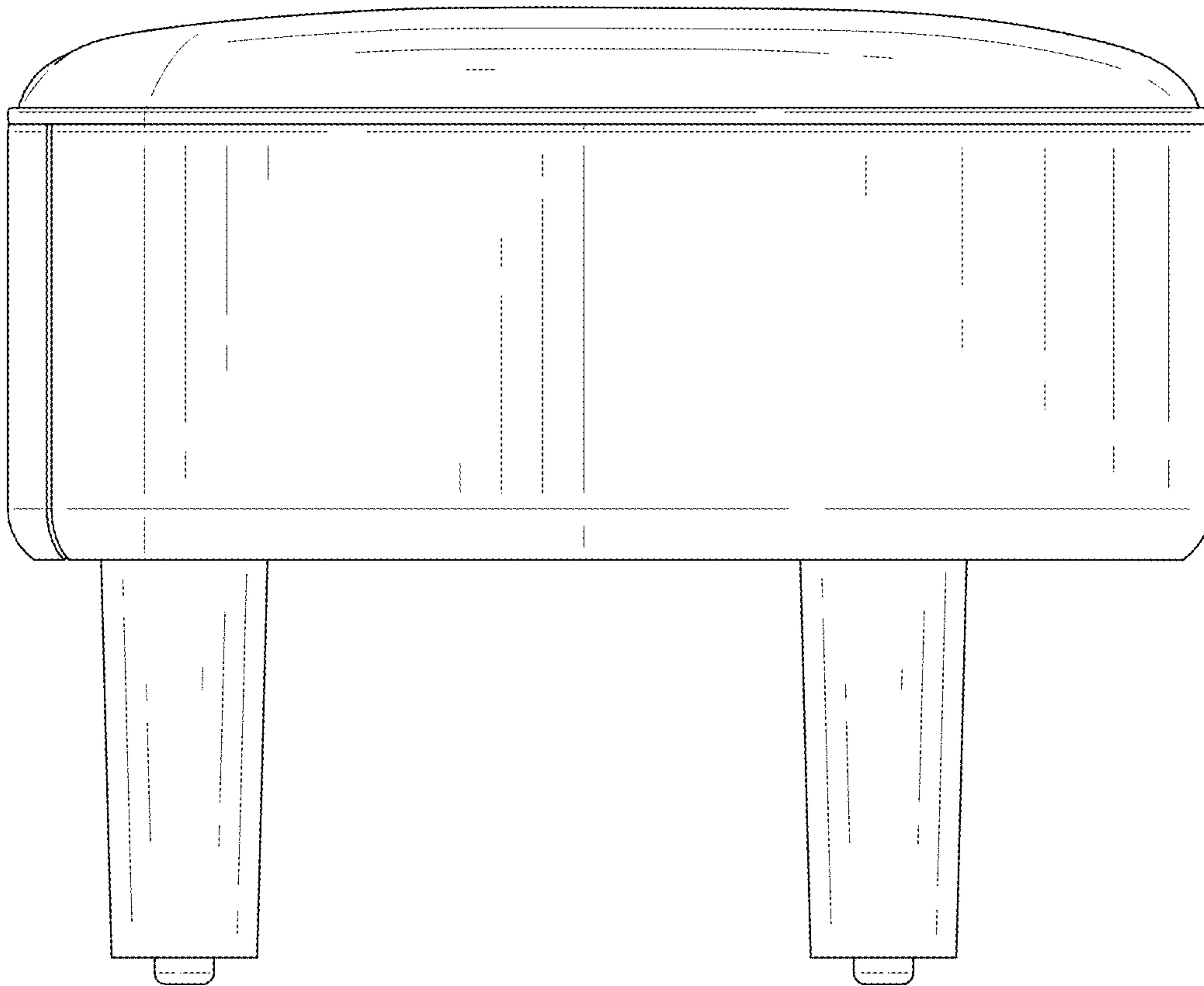


FIG. 14

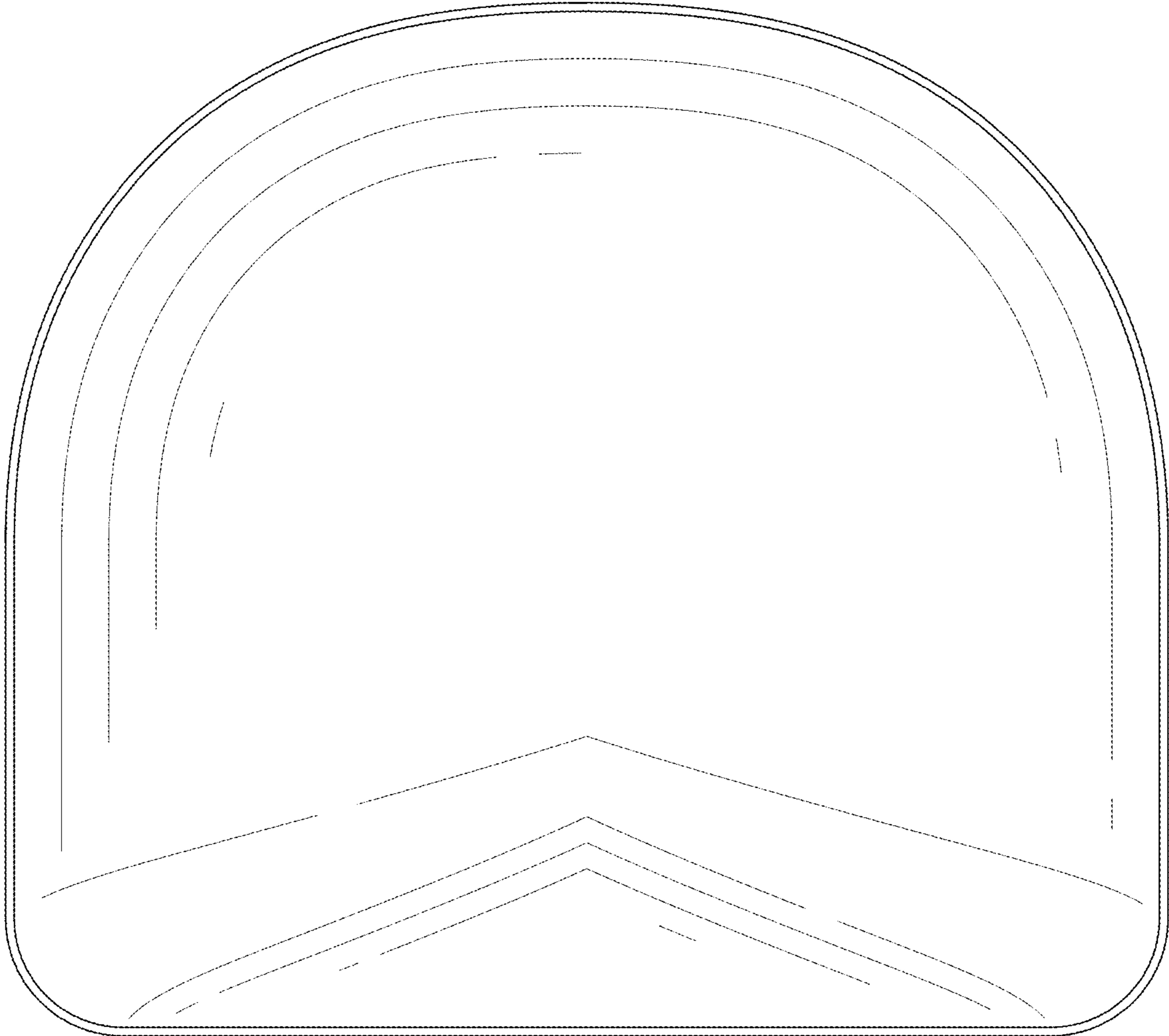


FIG. 15

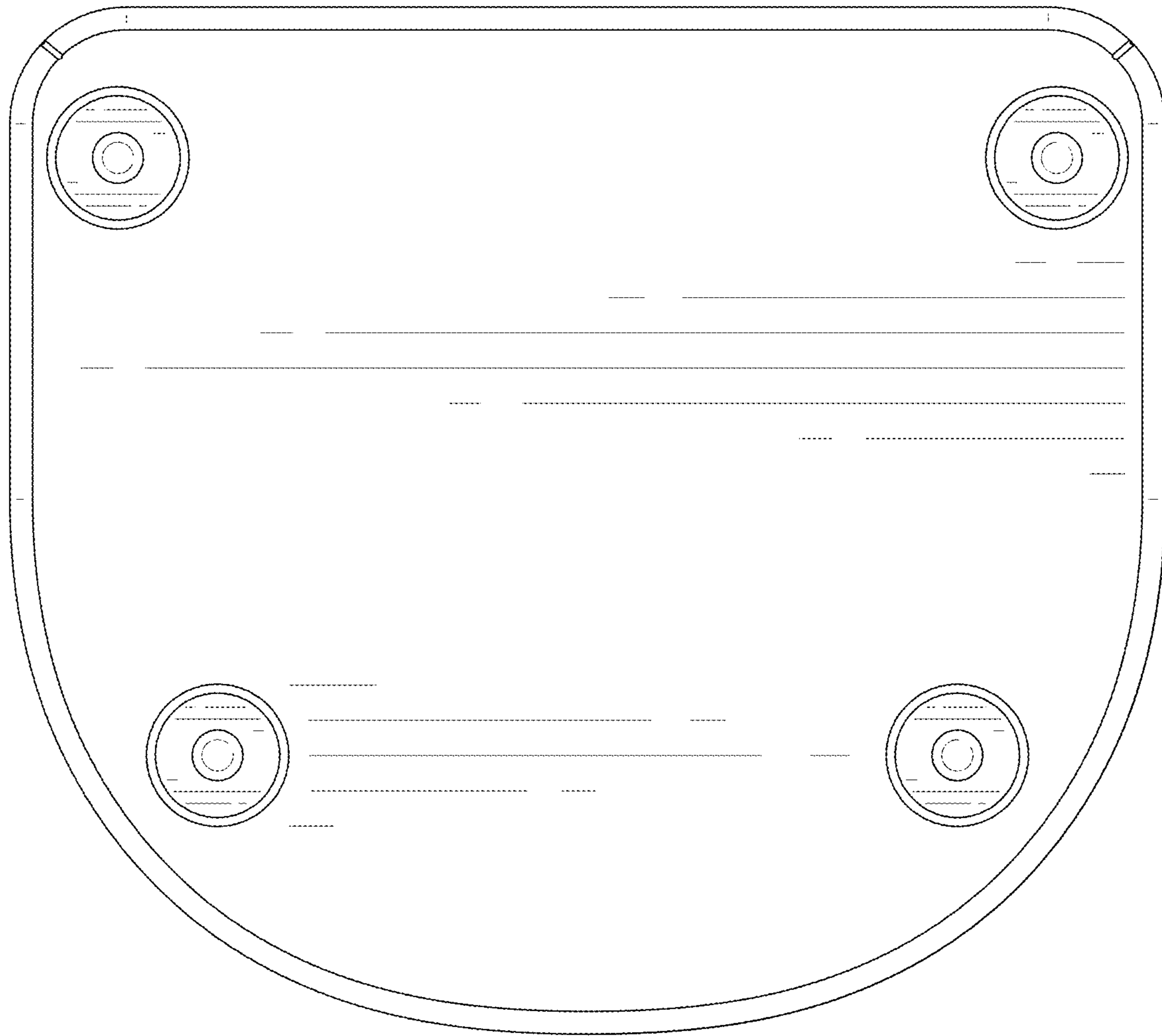


FIG. 16

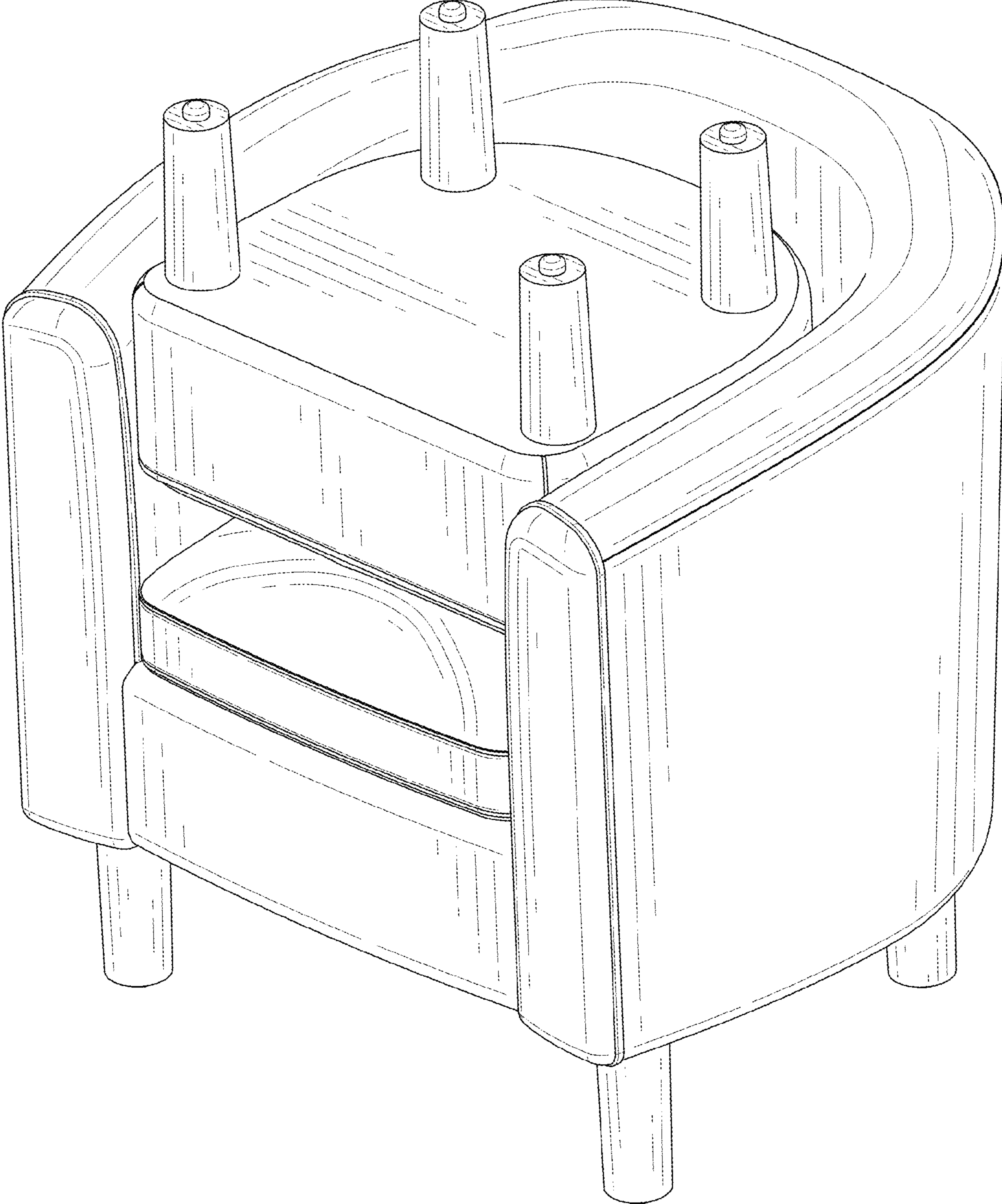


FIG. 17

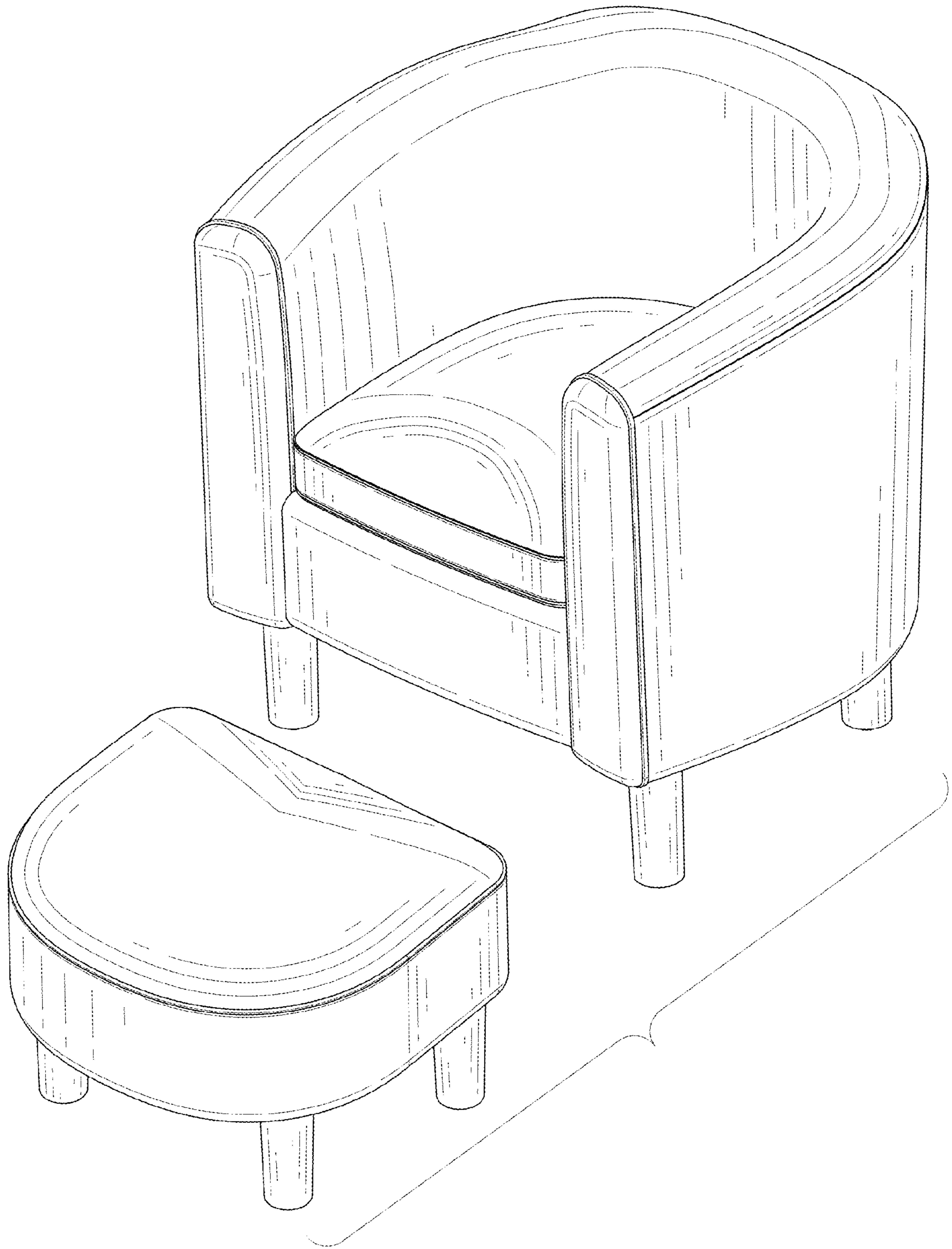


FIG. 18