

US00D896535S

(12) **United States Design Patent** (10) **Patent No.:** **US D896,535 S**  
**Page et al.** (45) **Date of Patent:** **\*\* Sep. 22, 2020**

(54) **INFANT CARRIER**  
(71) Applicant: **Mory June LLC**, Draper, UT (US)  
(72) Inventors: **Jordan F Page**, Draper, UT (US);  
**Brandt H. Page**, Draper, UT (US)  
(73) Assignee: **Mory June LLC**, Draper, UT (US)  
(\*\*) Term: **15 Years**  
(21) Appl. No.: **29/705,250**  
(22) Filed: **Sep. 10, 2019**

**Related U.S. Application Data**

(63) Continuation-in-part of application No. 29/690,351, filed on May 7, 2019.  
(51) **LOC (12) Cl.** ..... **06-01**  
(52) **U.S. Cl.**  
USPC ..... **D6/333**  
(58) **Field of Classification Search**  
USPC ..... D6/333-335, 339, 391, 389;  
297/183.1-183.4, 184.13, 184.15, 184.17,  
297/184.12, 224, 228.12, 250.1, 255,  
297/256.1, 256.15, 256.16; 5/98.1, 99.1,  
5/101-102, 414, 416; D12/401-403;  
135/117, 124; 280/30-31, 642, 47.38,  
280/647, 650, 658; D21/419, 834;  
224/409; D34/27; D2/718-719  
CPC ..... A47C 29/00; A47C 31/02; A47C 7/62;  
A47C 7/66; A47D 15/00; A47D 13/00;  
A47D 13/02; A47D 13/025; B60N 2/28  
See application file for complete search history.

(56) **References Cited**

U.S. PATENT DOCUMENTS

2,551,509 A	5/1951	Smith	
2,628,358 A	2/1953	Neils	
3,096,917 A	7/1963	Gudiksen	
4,698,862 A	10/1987	Mairs	
4,717,056 A	1/1988	Carmichael	
4,730,759 A	3/1988	Naidu	
D333,389 S *	2/1993	Saito	D6/333
5,333,769 A	8/1994	Skroski	
D351,756 S *	10/1994	Miller	5/655
5,819,341 A	10/1998	Simantob et al.	
D640,483 S *	6/2011	Daley	A47D 9/005 D6/333
D640,882 S *	7/2011	Zack	D6/333
D818,731 S *	5/2018	Feldmann	D6/361
D831,995 S *	10/2018	Morton	D6/391

\* cited by examiner

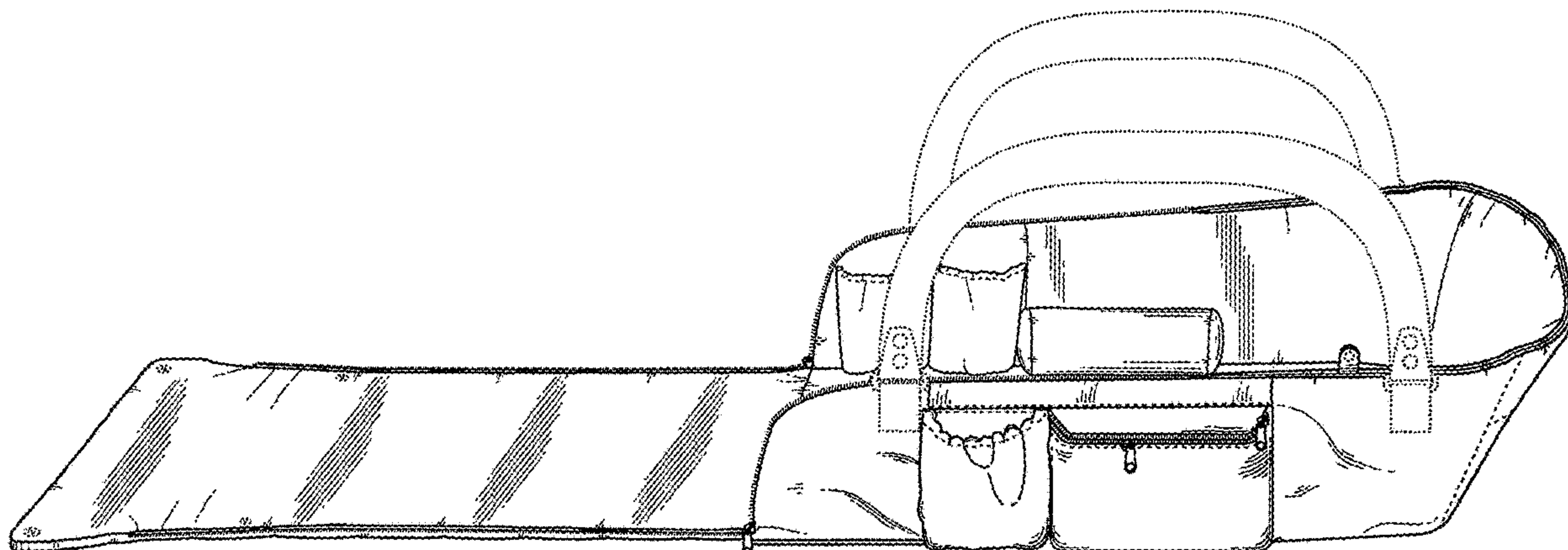
*Primary Examiner* — Abraham Bahta  
(74) *Attorney, Agent, or Firm* — Warren M. Pate; Pate Peterson, PLLC

(57) **CLAIM**  
The ornamental design for an infant carrier, as shown and described.

**DESCRIPTION**

FIG. 1 is a perspective view of an infant carrier in accordance with our new design;  
FIG. 2 is a first end view thereof;  
FIG. 3 is a second, opposite end view thereof;  
FIG. 4 is a first side view thereof;  
FIG. 5 is a second, opposite side view thereof;  
FIG. 6 is a top view thereof; and,  
FIG. 7 is a bottom view thereof.  
The broken lines represent portions of the infant carrier that form no part of the claimed design.

**1 Claim, 4 Drawing Sheets**



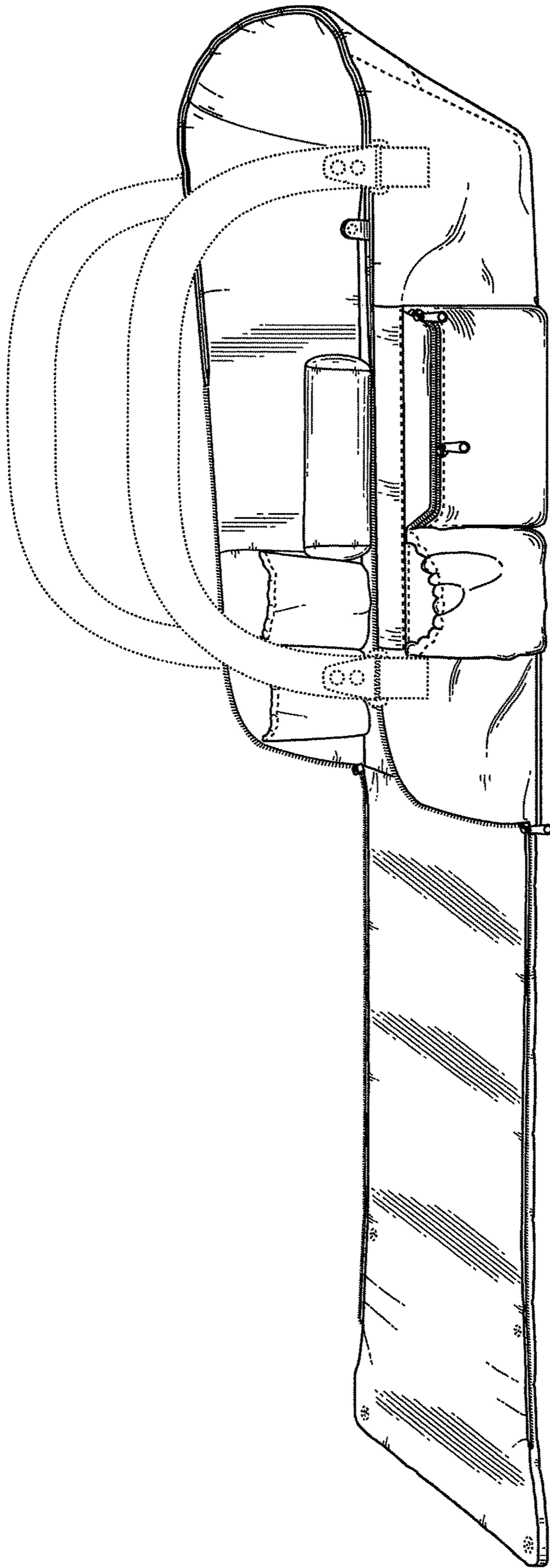


FIG. 1

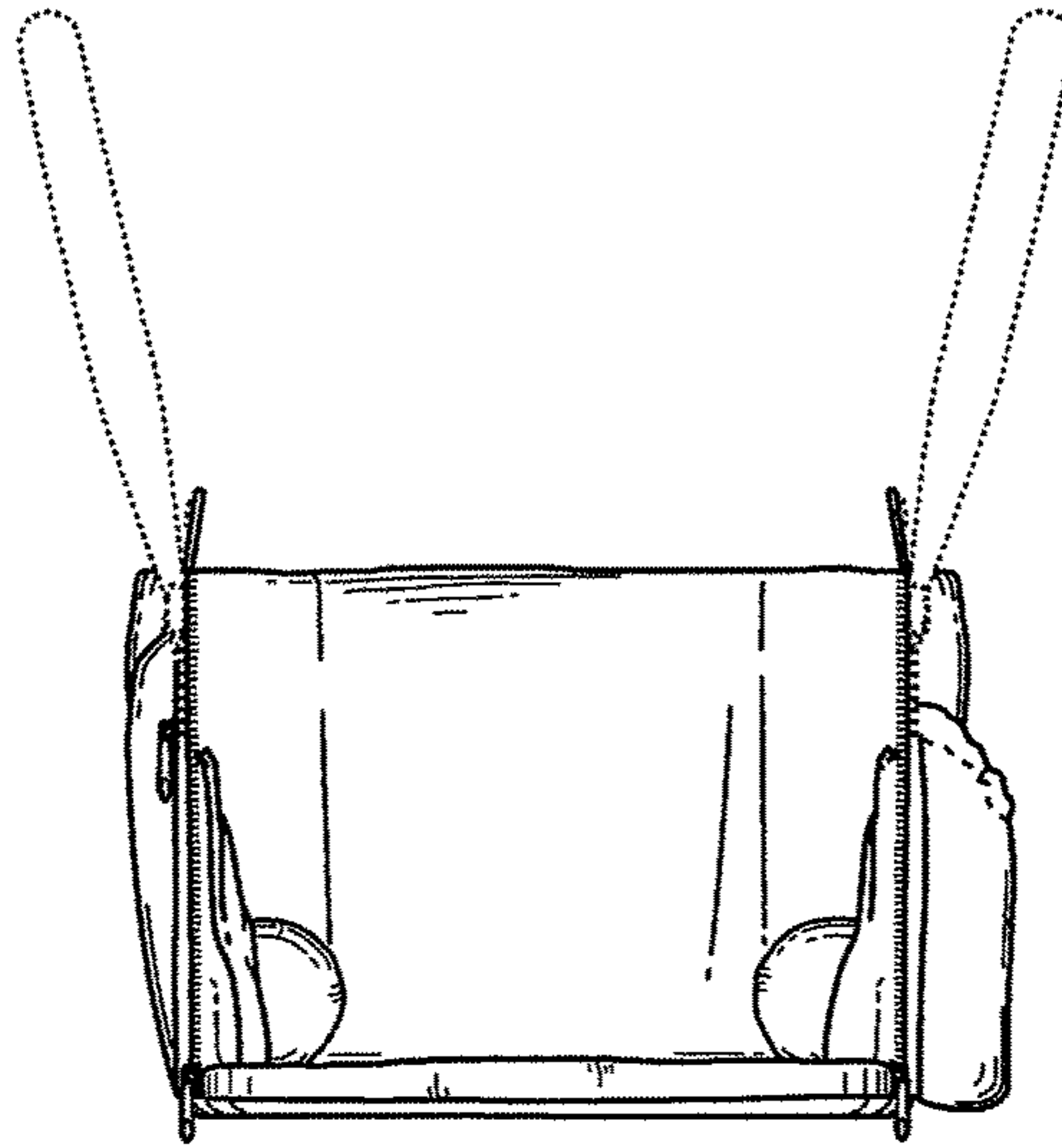


FIG. 2

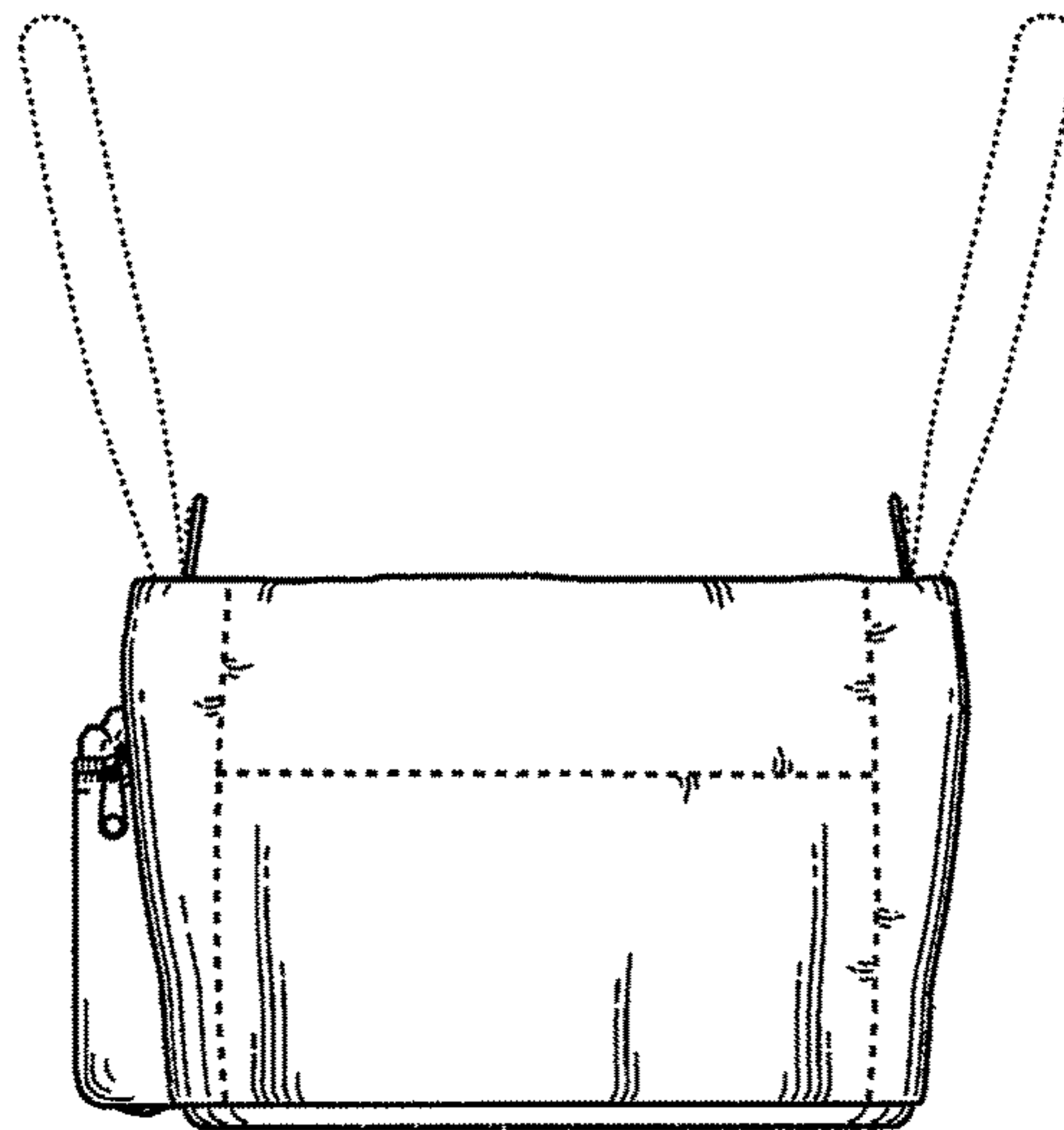


FIG. 3



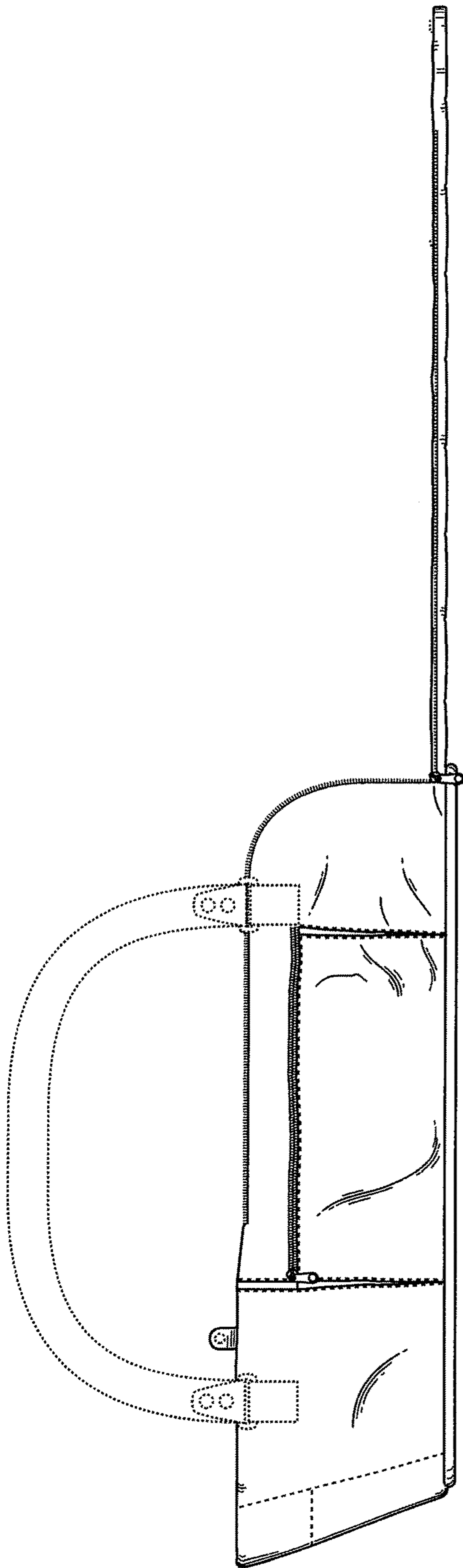


FIG. 4

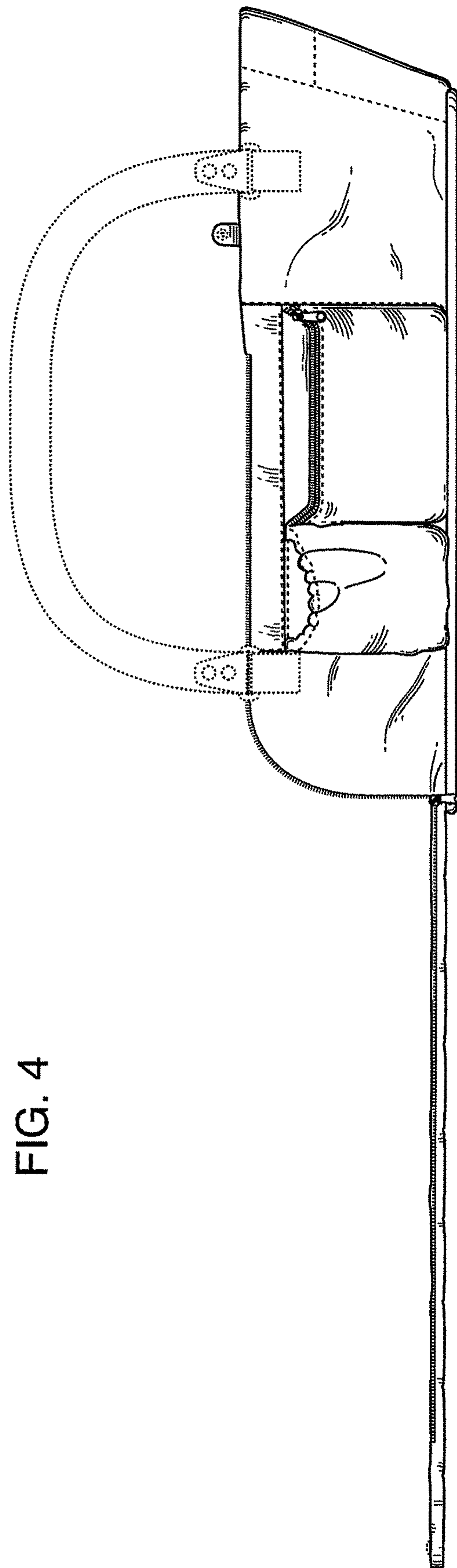


FIG. 5

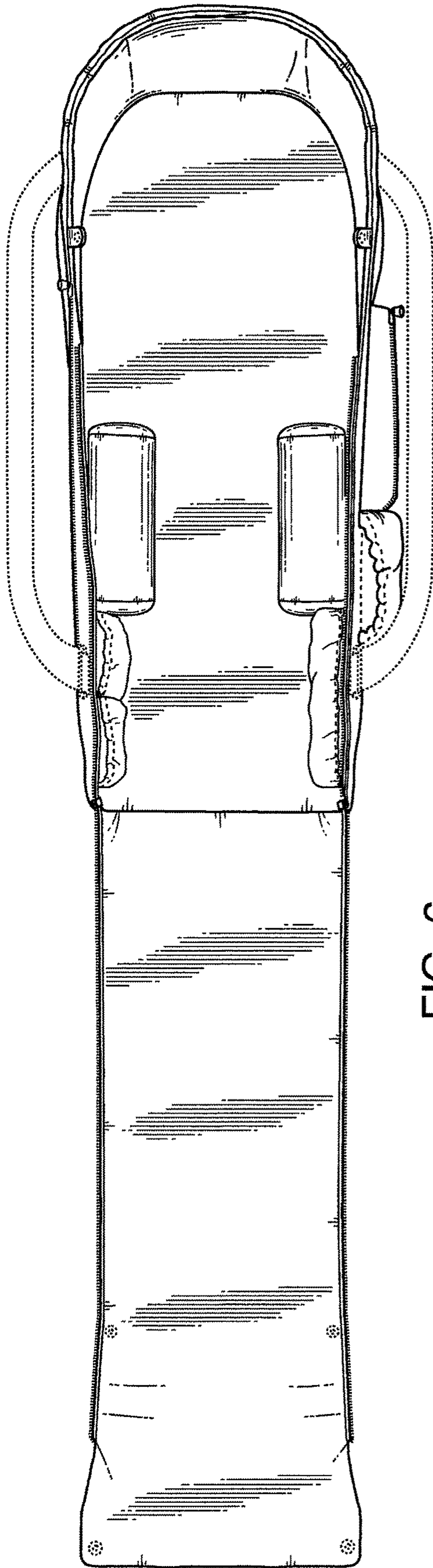


FIG. 6

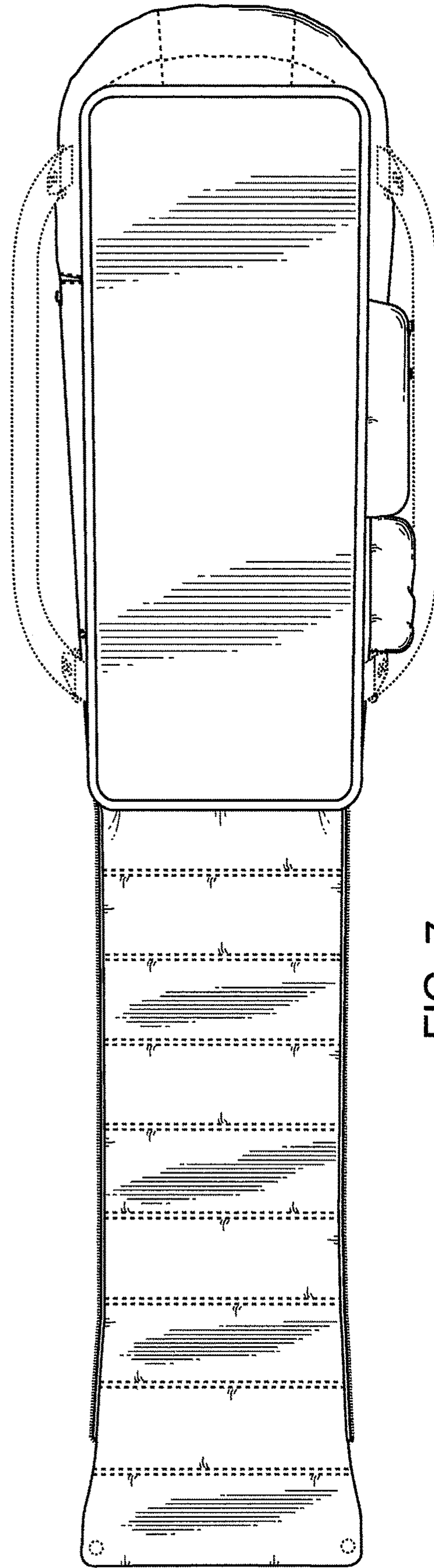


FIG. 7