

US00D896534S

(12) **United States Design Patent**  
**Page et al.**

(10) **Patent No.:** **US D896,534 S**  
(45) **Date of Patent:** **\*\* Sep. 22, 2020**

- (54) **INFANT CARRIER**
- (71) Applicant: **Mory June LLC**, Draper, UT (US)
- (72) Inventors: **Jordan F Page**, Draper, UT (US);  
**Brandt H. Page**, Draper, UT (US)
- (73) Assignee: **Mory June LLC**, Draper, UT (US)
- (\*\*) Term: **15 Years**
- (21) Appl. No.: **29/690,351**
- (22) Filed: **May 7, 2019**
- (51) **LOC (12) Cl.** ..... **06-01**
- (52) **U.S. Cl.**  
USPC ..... **D6/333**
- (58) **Field of Classification Search**  
USPC ..... D6/333-335, 339, 391, 389;  
297/183.1-183.4, 184.13, 184.15, 184.17,  
297/184.12, 224, 228.12, 250.1, 255,  
297/256.1, 256.15, 256.16; 5/98.1, 99.1,  
5/101-102, 414, 416, 93.2, 655, 107;  
D12/401-403; 135/117, 124; 280/30-31,  
280/642, 47.38, 647, 650, 658; D21/419,  
D21/834; 224/409, 159-161; D34/27;  
D2/718-719  
CPC ..... A47C 29/00; A47C 31/02; A47C 7/62;  
A47C 7/66; A47D 15/00; A47D 13/00;  
A47D 13/02; A47D 13/025; B60N 2/28  
See application file for complete search history.

3,096,917 A	7/1963	Gudiksen	
4,698,862 A	10/1987	Mairs	
4,717,056 A	1/1988	Carmichael	
4,730,759 A	3/1988	Naidu	
D333,389 S *	2/1993	Saito .....	D6/333
5,333,769 A	8/1994	Skroski	
D351,756 S *	10/1994	Miller .....	5/655
5,819,341 A	10/1998	Simantob et al.	
D640,483 S *	6/2011	Daley .....	A47D 9/005
			D6/333
D640,882 S *	7/2011	Zack .....	D6/333
D818,731 S *	5/2018	Feldmann .....	D6/361
D831,995 S *	10/2018	Morton .....	D6/391

\* cited by examiner

*Primary Examiner* — Abraham Bahta

(74) *Attorney, Agent, or Firm* — Warren M. Pate; Pate Peterson, PLLC

(56) **References Cited**

**U.S. PATENT DOCUMENTS**

- 2,551,509 A 5/1951 Smith
- 2,628,358 A 2/1953 Neils

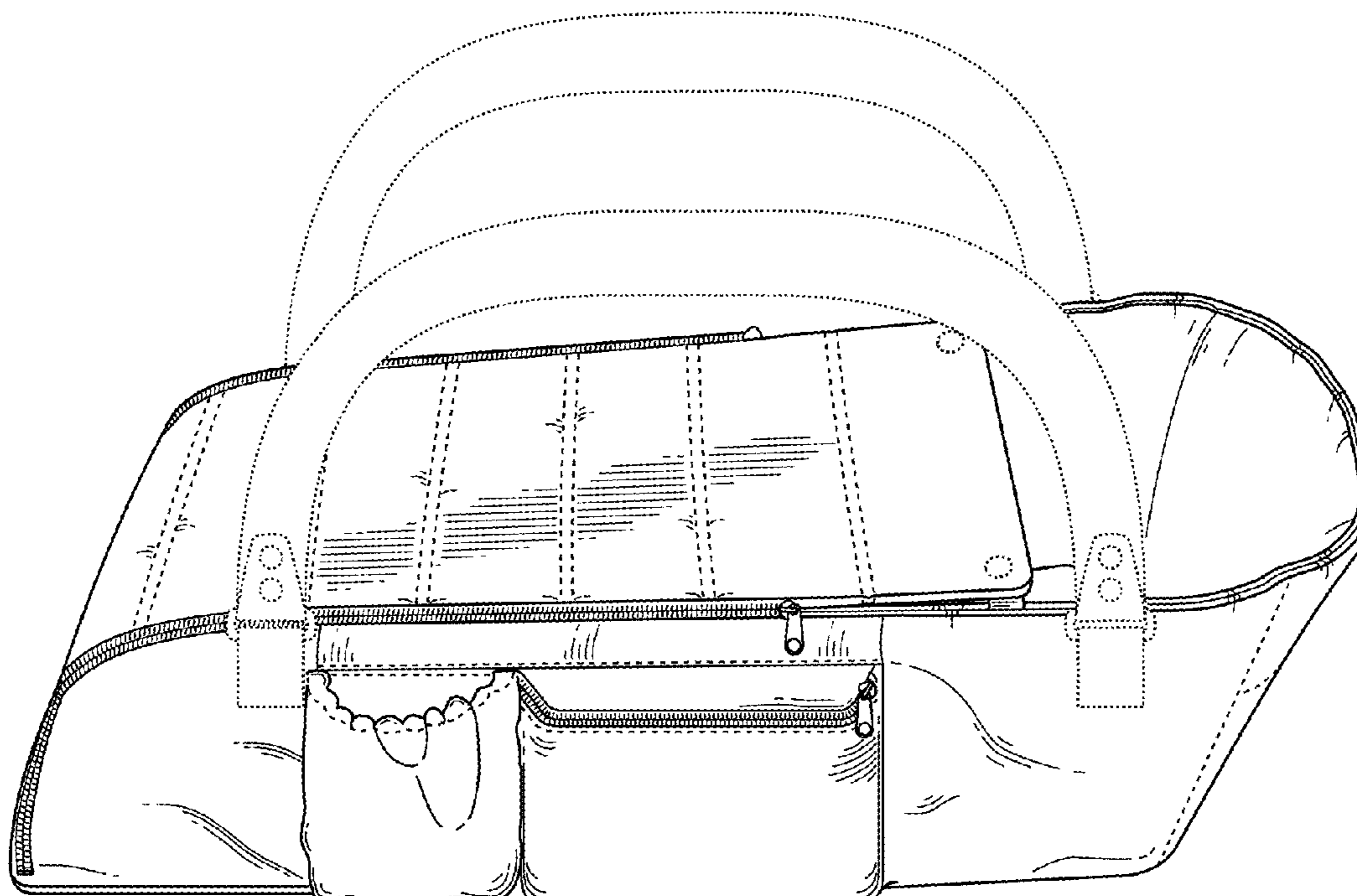
(57) **CLAIM**

The ornamental design for an infant carrier, as shown and described.

**DESCRIPTION**

FIG. 1 is a perspective view of an infant carrier in accordance with our new design;  
 FIG. 2 is a first end view thereof;  
 FIG. 3 is a second, opposite end view thereof;  
 FIG. 4 is a first side view thereof;  
 FIG. 5 is a second, opposite side view thereof;  
 FIG. 6 is a bottom view thereof; and,  
 FIG. 7 is a top view thereof.  
 The broken lines represent portions of the infant carrier that form no part of the claimed design.

**1 Claim, 4 Drawing Sheets**



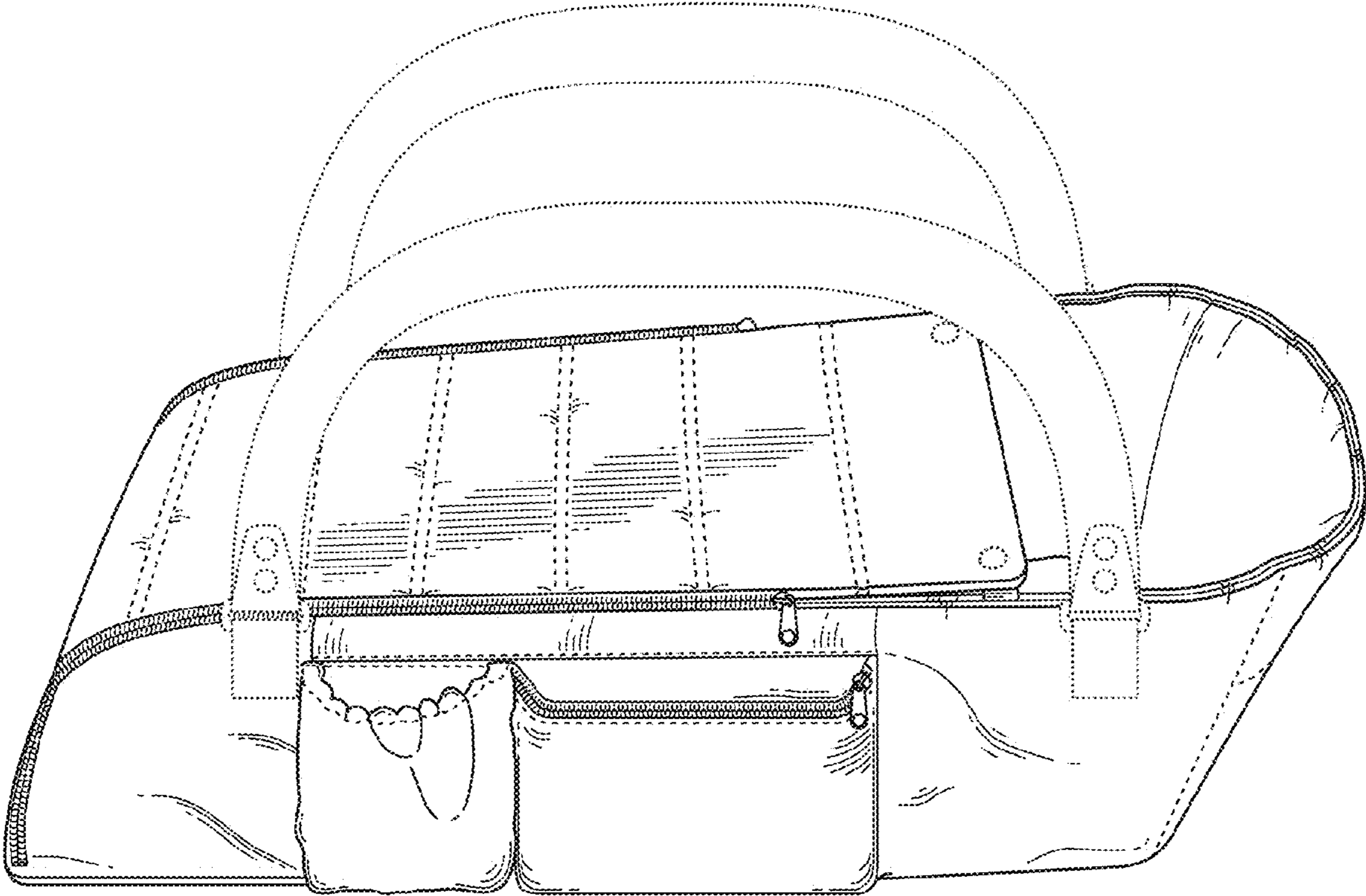


FIG. 1

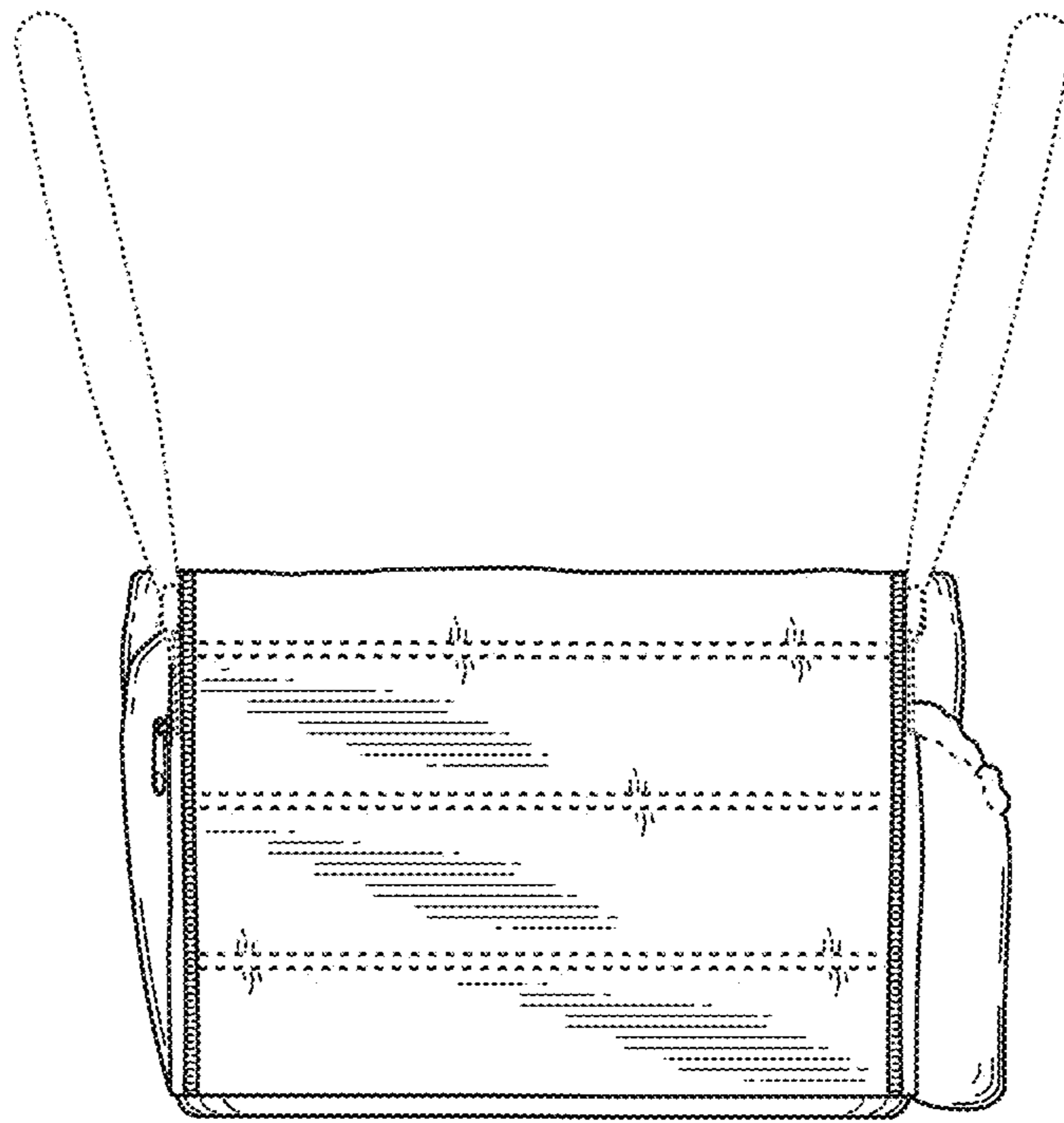


FIG. 2



FIG. 3

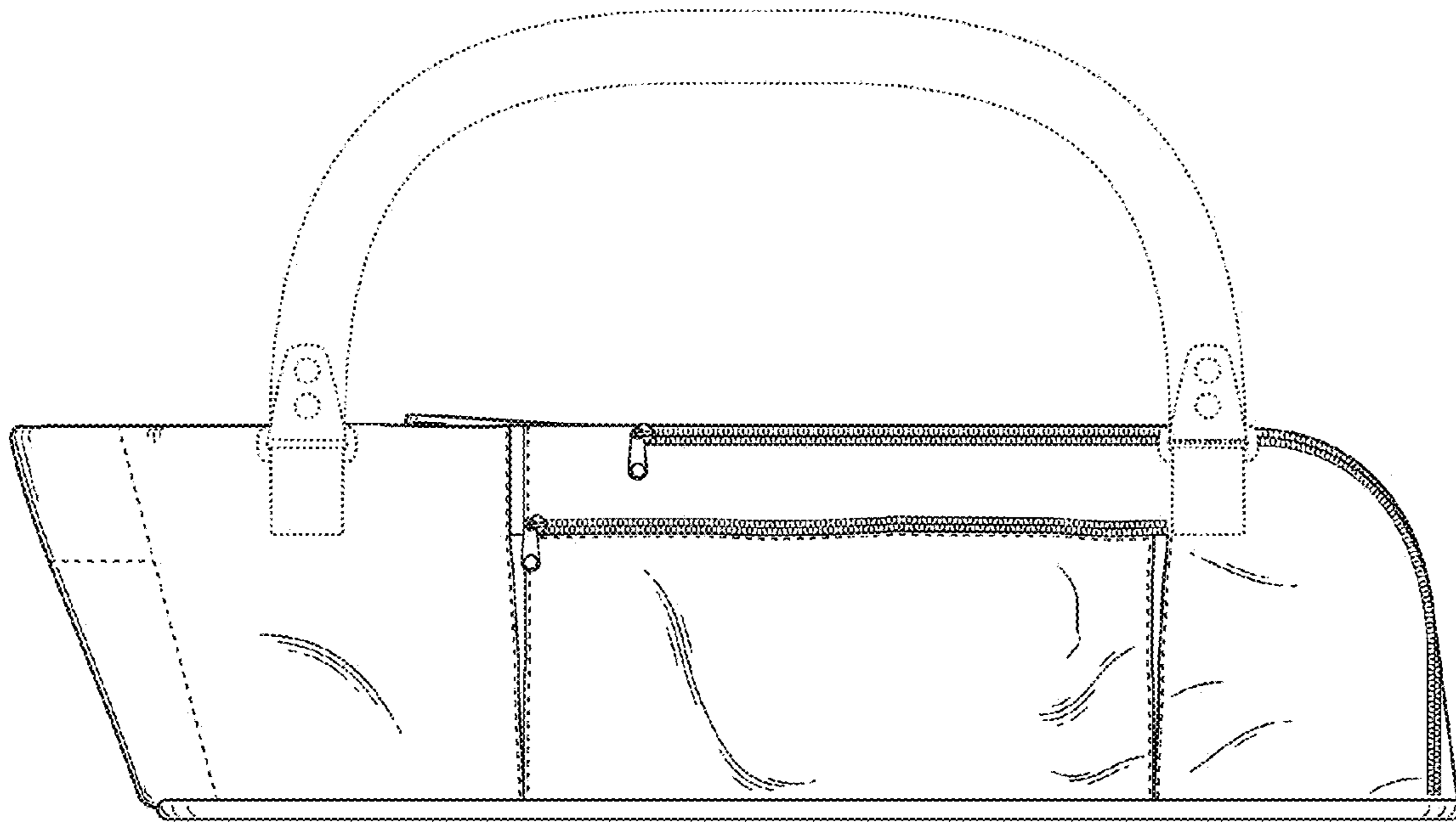


FIG. 4

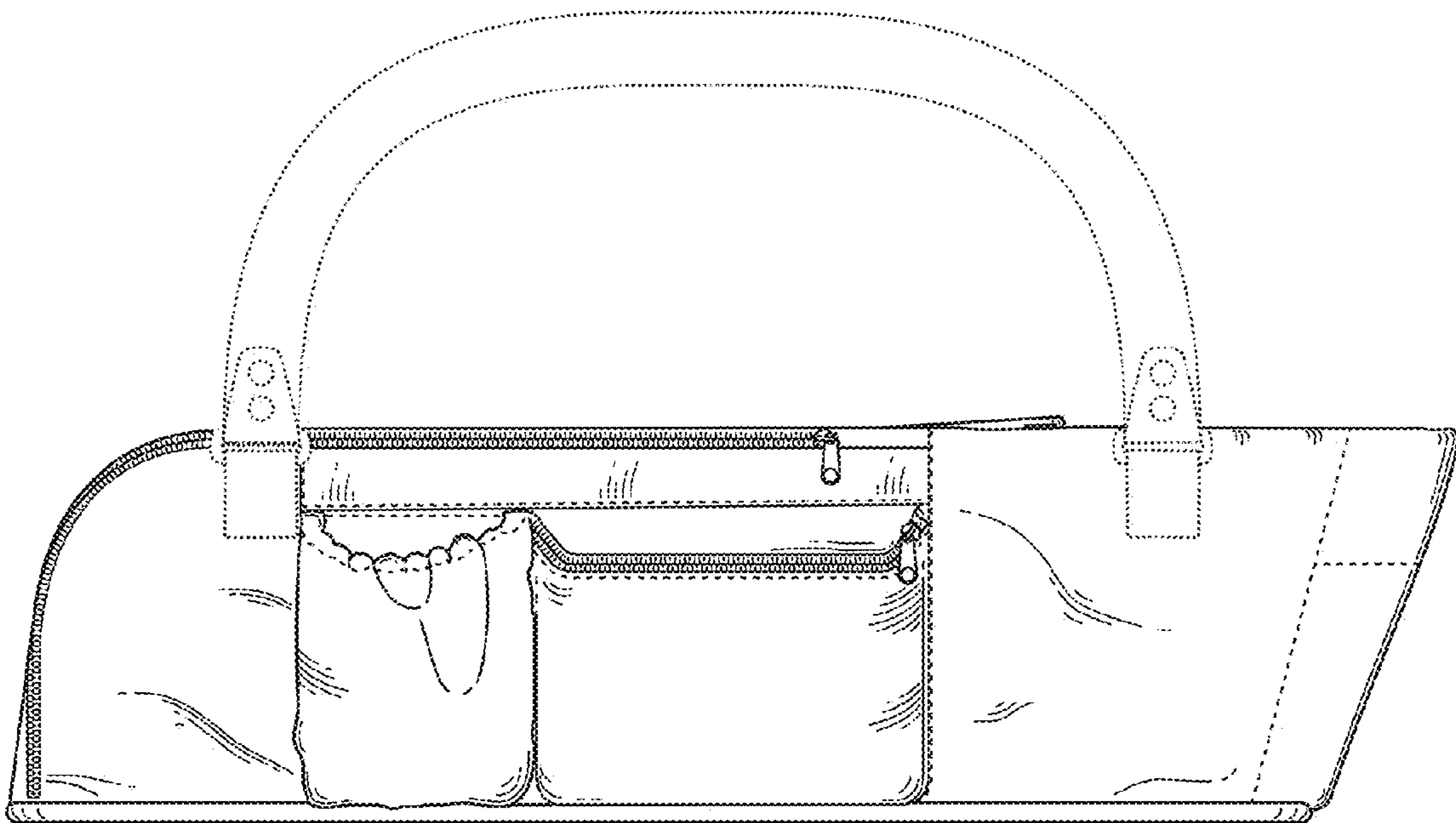


FIG. 5

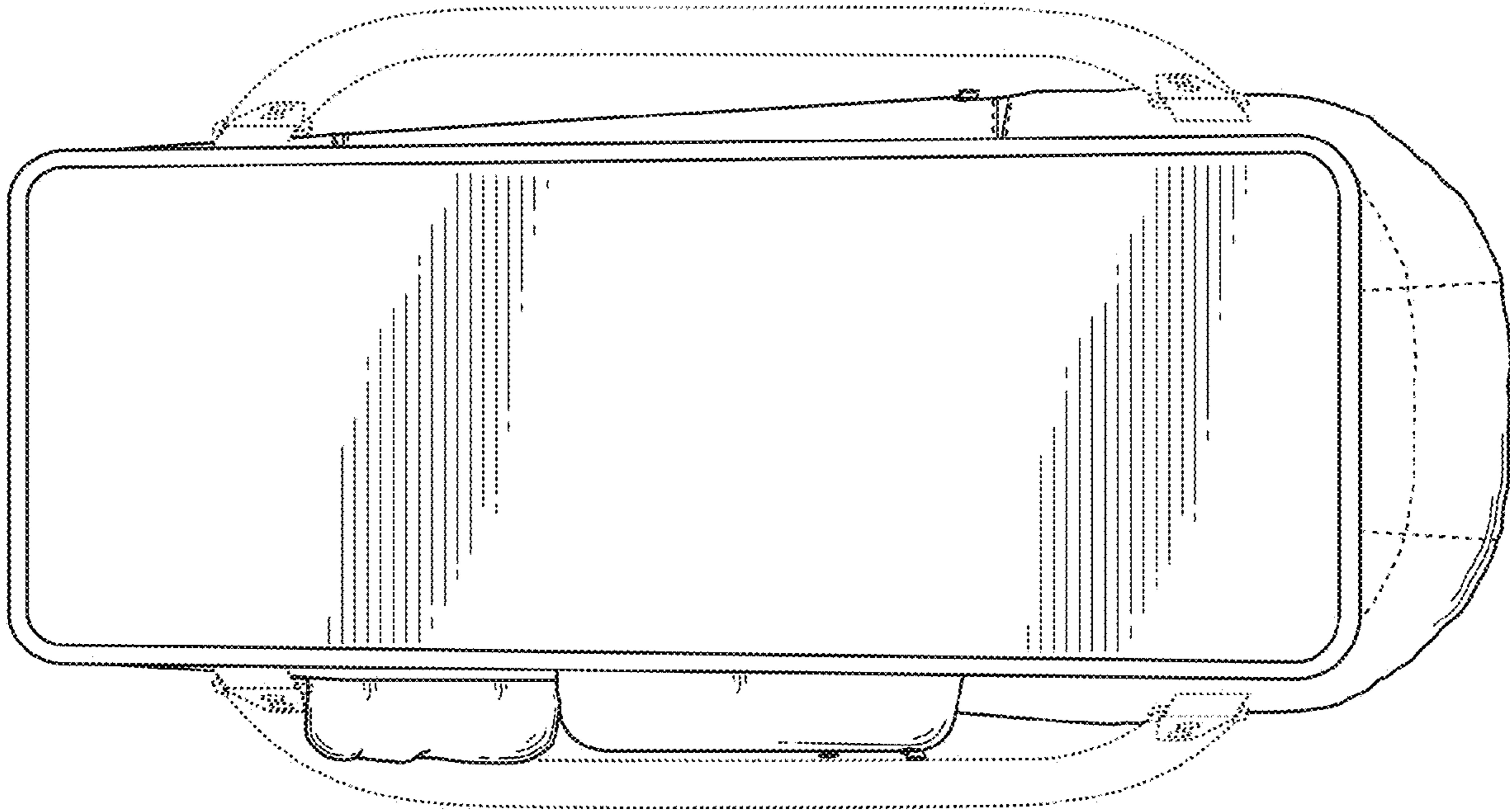


FIG. 6

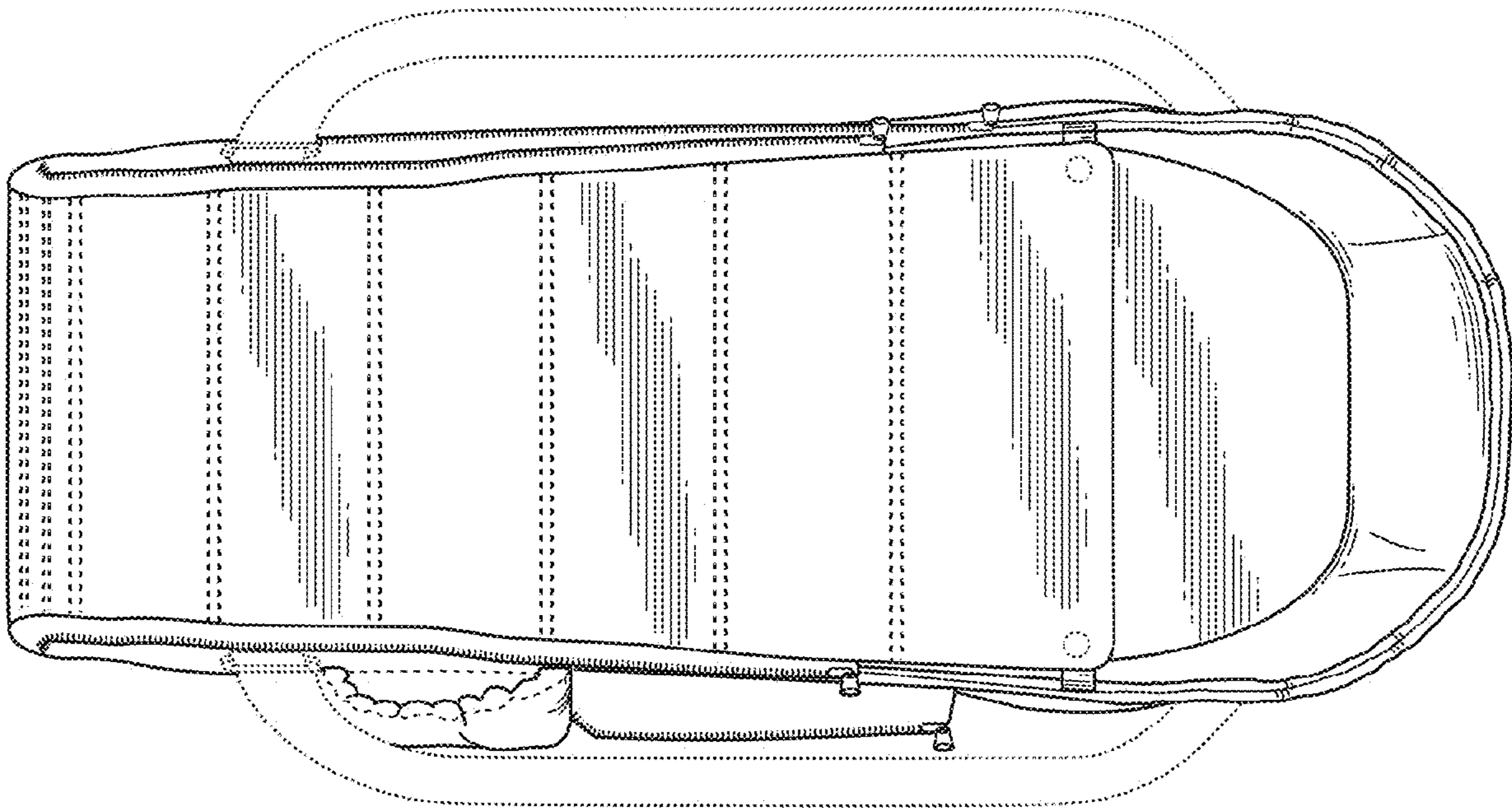


FIG. 7