



US00D896532S

(12) **United States Design Patent**  
**Kaicker**

(10) **Patent No.:** **US D896,532 S**

(45) **Date of Patent:** **\*\* Sep. 22, 2020**

(54) **COSMETIC BRUSH**

(71) Applicant: **Anisa International, Inc.**, Atlanta, GA  
(US)

(72) Inventor: **Anisa Telwar Kaicker**, Atlanta, GA  
(US)

(73) Assignee: **Anisa International, Inc.**, Atlanta, GA  
(US)

(\*\*) Term: **15 Years**

(21) Appl. No.: **29/717,988**

(22) Filed: **Dec. 20, 2019**

**Related U.S. Application Data**

(63) Continuation of application No. 29/576,026, filed on  
Aug. 31, 2016, now Pat. No. Des. 873,573.

(51) **LOC (12) Cl.** ..... **04-02**

(52) **U.S. Cl.**  
USPC ..... **D4/135**

(58) **Field of Classification Search**  
USPC ..... D4/100, 116, 118, 127, 128, 130, 132,  
D4/133, 135, 138; D8/90; D28/63;  
D32/49, 50, 51

(Continued)

(56) **References Cited**

**U.S. PATENT DOCUMENTS**

D47,035 S 3/1915 Feasel  
D52,908 S 1/1919 Channell

(Continued)

**OTHER PUBLICATIONS**

F87 Edge Kabuki Brush, [online]; [review published to the Internet  
approximately on May 20, 2017]; [retrieved from the Internet on  
May 20, 2020]; URL: <https://www.sigmagebeauty.com/f87-edge-kabuki.html>. (2 pages). (Year: 2017).\*

*Primary Examiner* — Karen S Acker

*Assistant Examiner* — Jasmine Mlinarcik

(74) *Attorney, Agent, or Firm* — Taylor English Duma  
LLP

(57) **CLAIM**

I claim the ornamental design for a cosmetic brush, as shown  
and described.

**DESCRIPTION**

FIG. 1 is a perspective view of a cosmetic brush according  
to a first embodiment of the present design;

FIG. 2 is a front elevational view of the cosmetic brush  
shown in FIG. 1;

FIG. 3 is a rear elevational view of the cosmetic brush shown  
in FIG. 1;

FIG. 4 is a right side elevational view of the cosmetic brush  
shown in FIG. 1;

FIG. 5 is a left side elevational view of the cosmetic brush  
shown in FIG. 1;

FIG. 6 is atop plan view of the cosmetic brush shown in FIG.  
1;

FIG. 7 is a bottom plan view of the cosmetic brush shown  
in FIG. 1;

FIG. 8 is a perspective view of a cosmetic brush according  
to a second embodiment of the present design;

FIG. 9 is a front elevational view of the cosmetic brush  
shown in FIG. 8;

FIG. 10 is a rear elevational view of the cosmetic brush  
shown in FIG. 8;

FIG. 11 is a right side elevational view of the cosmetic brush  
shown in FIG. 8;

FIG. 12 is a left side elevational view of the cosmetic brush  
shown in FIG. 8;

FIG. 13 is atop plan view of the cosmetic brush shown in  
FIG. 8;

FIG. 14 is a bottom plan view of the cosmetic brush shown  
in FIG. 8;

FIG. 15 is a perspective view of a cosmetic brush according  
to a third embodiment of the present design;

(Continued)

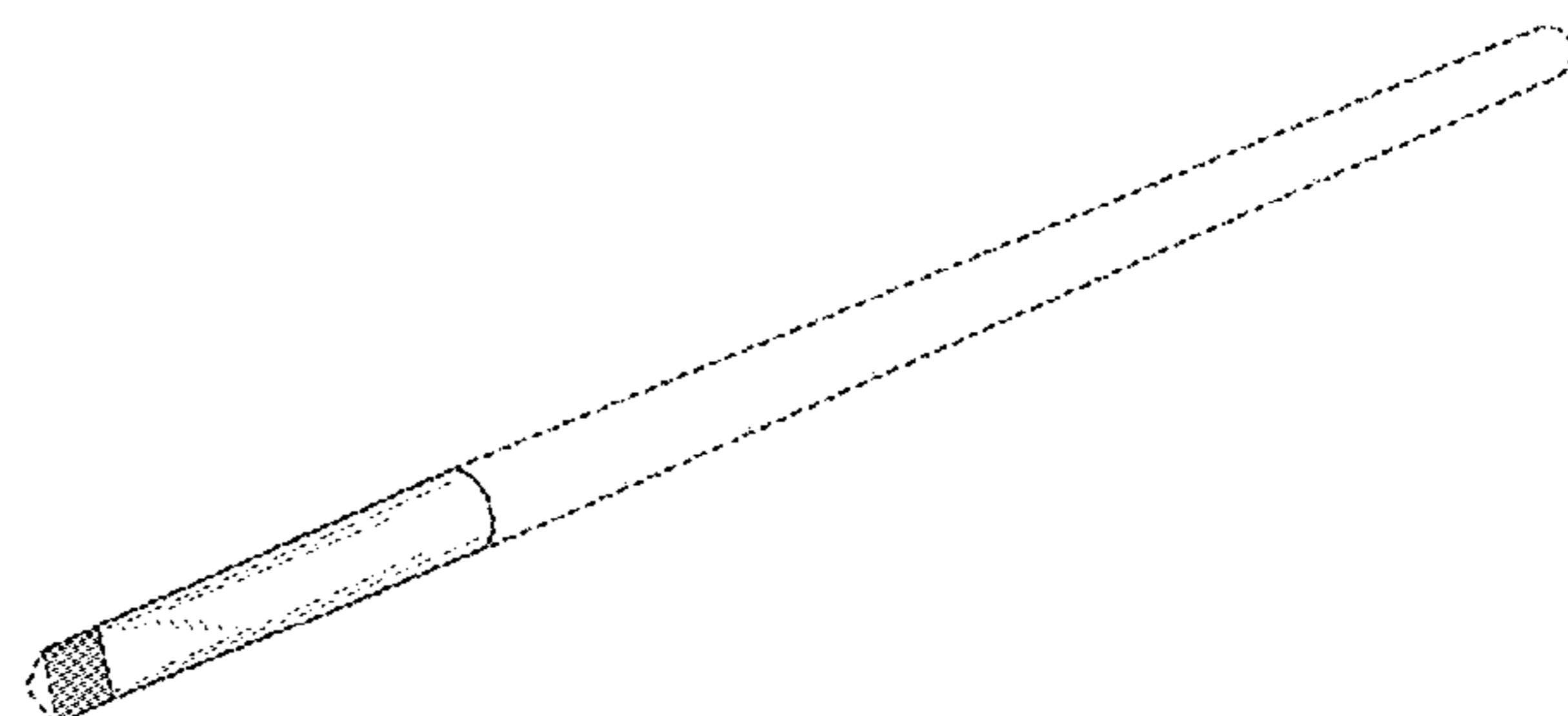
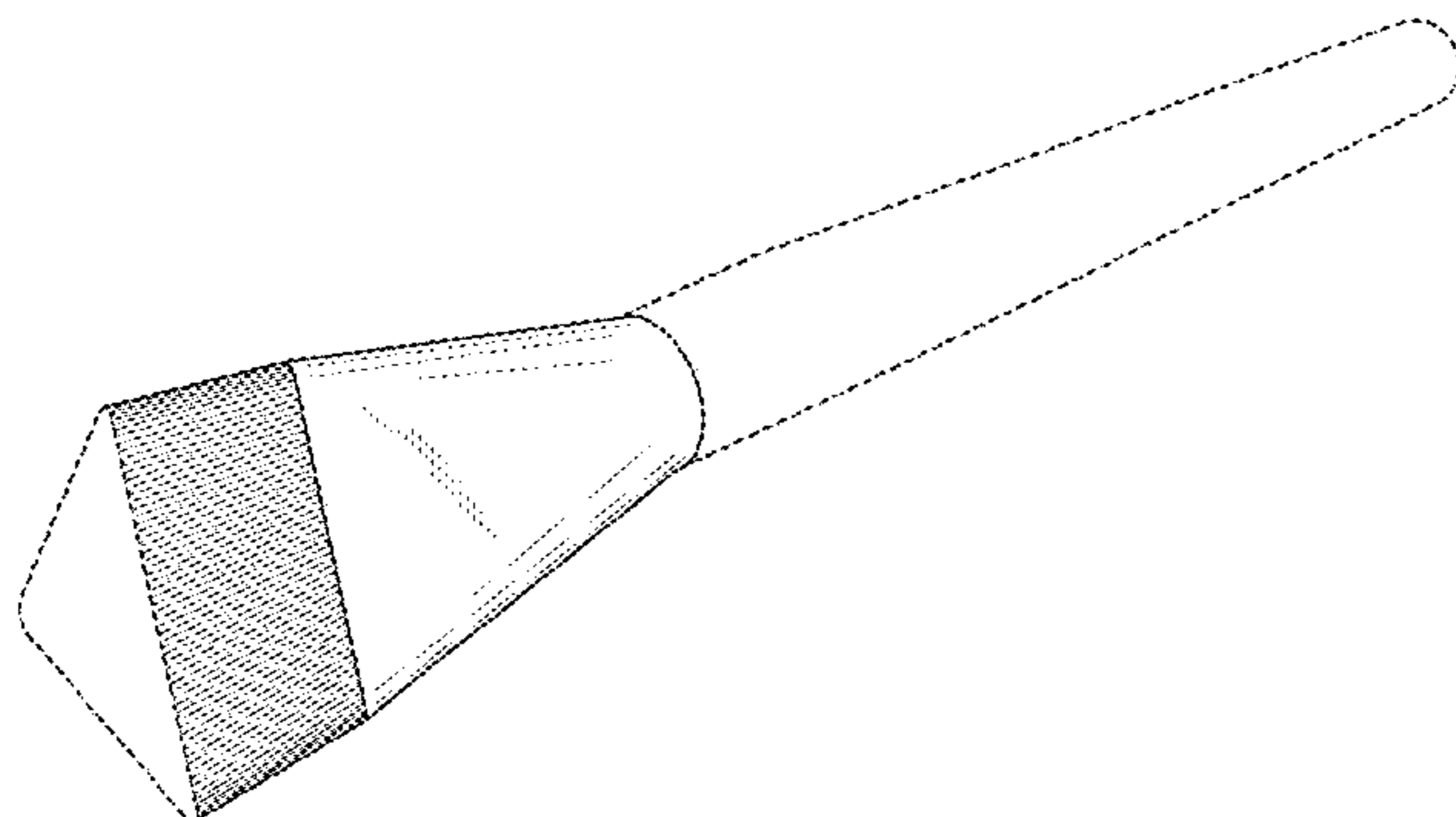


FIG. 16 is a front elevational view of the cosmetic brush shown in FIG. 15;  
 FIG. 17 is a rear elevational view of the cosmetic brush shown in FIG. 15;  
 FIG. 18 is a right side elevational view of the cosmetic brush shown in FIG. 15;  
 FIG. 19 is a left side elevational view of the cosmetic brush shown in FIG. 15;  
 FIG. 20 is a top plan view of the cosmetic brush shown in FIG. 15;  
 FIG. 21 is a bottom plan view of the cosmetic brush shown in FIG. 15;  
 FIG. 22 is a perspective view of a cosmetic brush according to a fourth embodiment of the present design;  
 FIG. 23 is a front elevational view of the cosmetic brush shown in FIG. 22;  
 FIG. 24 is a rear elevational view of the cosmetic brush shown in FIG. 22;  
 FIG. 25 is a right side elevational view of the cosmetic brush shown in FIG. 22;  
 FIG. 26 is a left side elevational view of the cosmetic brush shown in FIG. 22;  
 FIG. 27 is a top plan view of the cosmetic brush shown in FIG. 22;  
 FIG. 28 is a bottom plan view of the cosmetic brush shown in FIG. 22;  
 FIG. 29 is a perspective view of a cosmetic brush according to a fifth embodiment of the present design;  
 FIG. 30 is a front elevational view of the cosmetic brush shown in FIG. 29;  
 FIG. 31 is a rear elevational view of the cosmetic brush shown in FIG. 29;  
 FIG. 32 is a right side elevational view of the cosmetic brush shown in FIG. 29;  
 FIG. 33 is a left side elevational view of the cosmetic brush shown in FIG. 29;  
 FIG. 34 is a top plan view of the cosmetic brush shown in FIG. 29;  
 FIG. 35 is a bottom plan view of the cosmetic brush shown in FIG. 29;  
 FIG. 36 is a perspective view of a cosmetic brush according to a sixth embodiment of the present design;  
 FIG. 37 is a front elevational view of the cosmetic brush shown in FIG. 36;  
 FIG. 38 is a rear elevational view of the cosmetic brush shown in FIG. 36;  
 FIG. 39 is a right side elevational view of the cosmetic brush shown in FIG. 36;

FIG. 40 is a left side elevational view of the cosmetic brush shown in FIG. 36;  
 FIG. 41 is a top plan view of the cosmetic brush shown in FIG. 36; and,  
 FIG. 42 is a bottom plan view of the cosmetic brush shown in FIG. 36.  
 The broken lines depict portions of the cosmetic brush that from no part of the claimed design.

**1 Claim, 12 Drawing Sheets**

(58) **Field of Classification Search**

CPC .... A45D 34/042; A45D 40/262; A45D 40/28;  
 A46B 1/00; A46B 5/00; A46B 5/0033;  
 A46B 5/0062; A46B 5/0095; A46B 5/02;  
 A46B 5/021; A46B 9/021; A46B  
 2200/1046; A46B 2200/1066; A46B  
 2200/20; A46B 2200/202; A46B  
 2200/205

See application file for complete search history.

(56) **References Cited**

U.S. PATENT DOCUMENTS

D180,204	S	4/1957	Slough	
D245,473	S	8/1977	Heninger	
D280,248	S	8/1985	Hanson, Jr.	
D333,921	S	3/1993	Vetter	
D355,105	S	2/1995	Nemazi	
D471,334	S	3/2003	Reede	
D566,969	S *	4/2008	Sherman	D4/135
D584,513	S *	1/2009	Sherman	D4/135
D663,957	S	7/2012	Garcia	
D714,558	S	10/2014	Mink	
D717,548	S	11/2014	Lim	
D739,148	S	9/2015	Lim	
D757,447	S	5/2016	White	
D776,941	S	1/2017	Nicoline	
D781,592	S	3/2017	Kaicker et al.	
9,635,927	B2	5/2017	Godin et al.	
D801,057	S *	10/2017	Xavier	D4/135
D802,936	S *	11/2017	Nicoline	D4/135
D802,938	S *	11/2017	Nicoline	D4/135
D827,309	S	9/2018	Nicoline	
D835,419	S	12/2018	Lim	
D857,400	S *	8/2019	Nicoline	D4/138
D873,573	S	1/2020	Kaicker	
2014/0332027	A1 *	11/2014	Lim	A46B 9/026 132/320
2016/0262528	A1	9/2016	Kaicker	
2017/0188691	A1 *	7/2017	Richards	A46B 9/021

\* cited by examiner

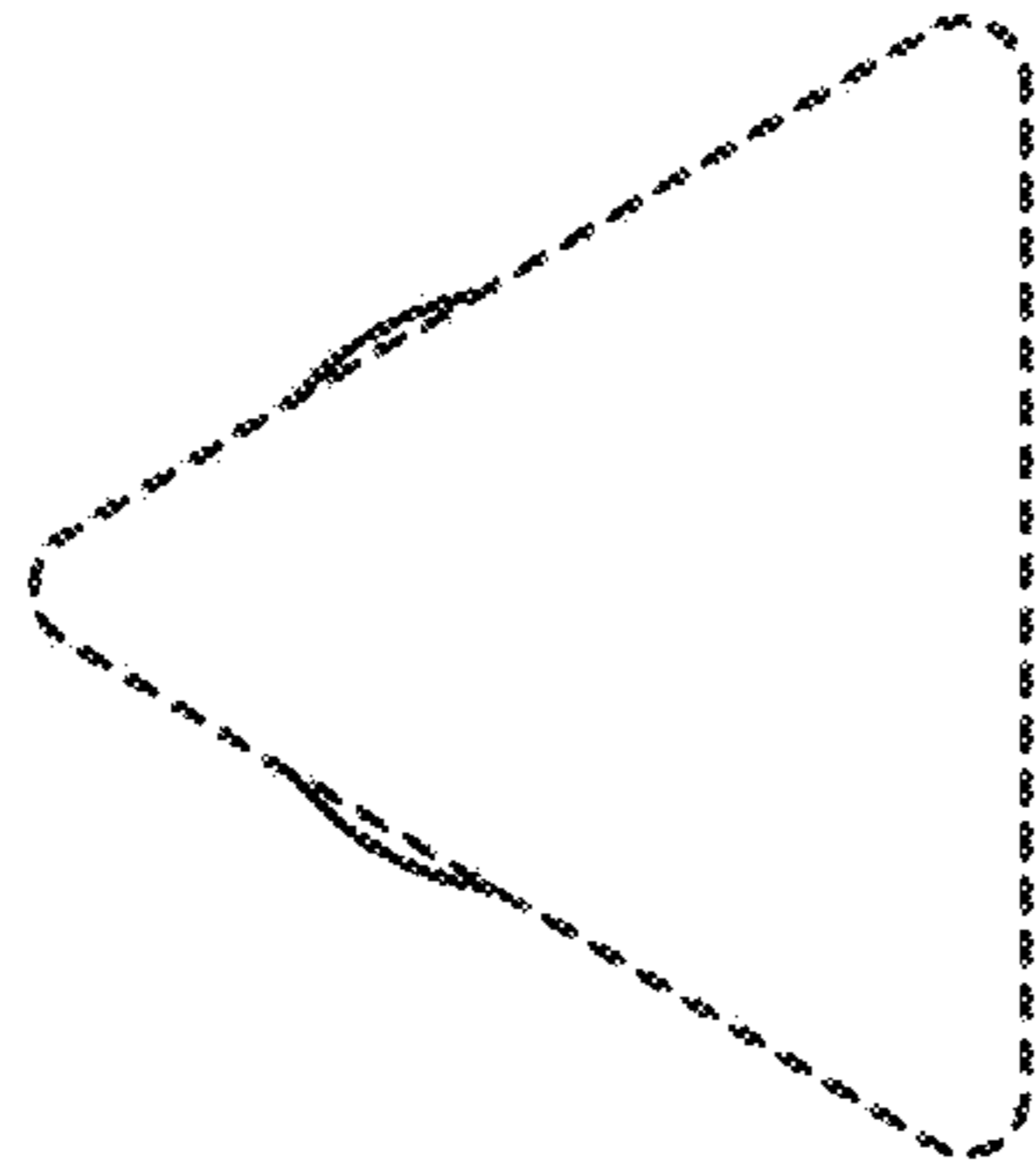
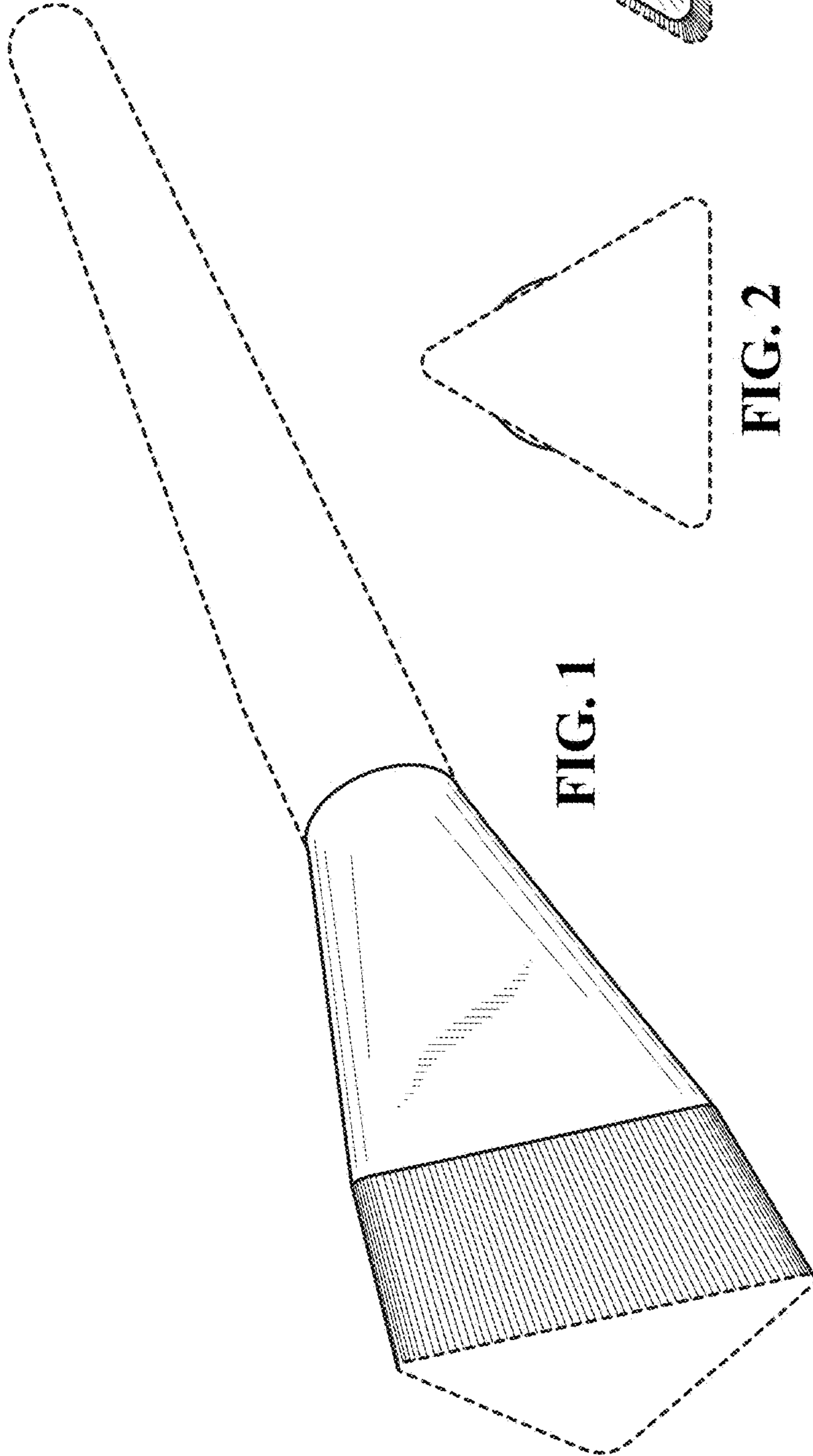


FIG. 2

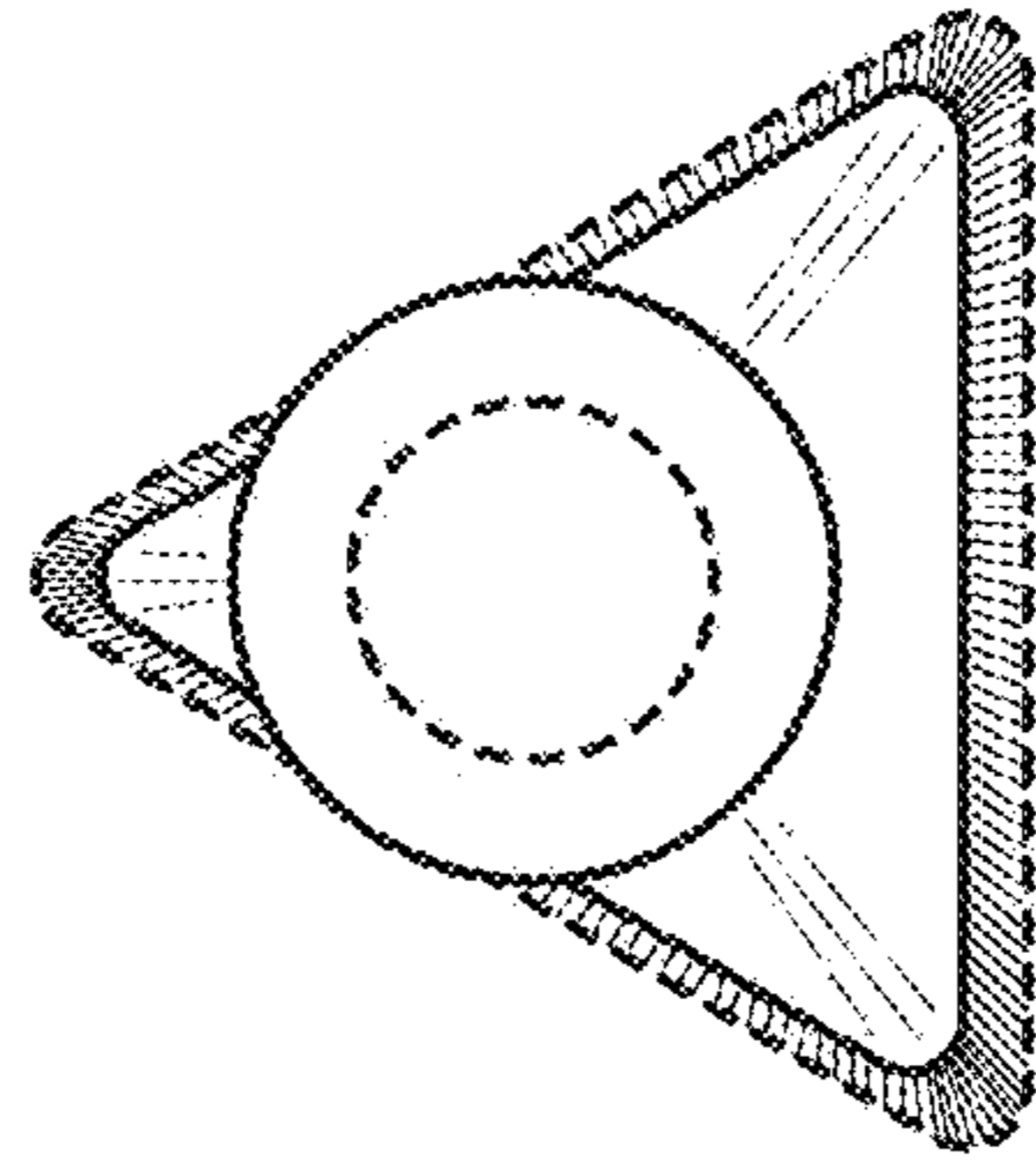


FIG. 3

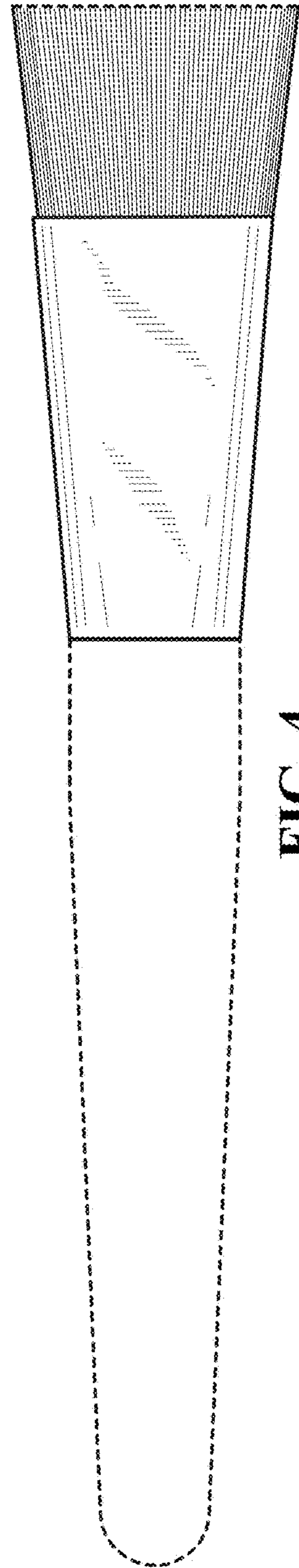
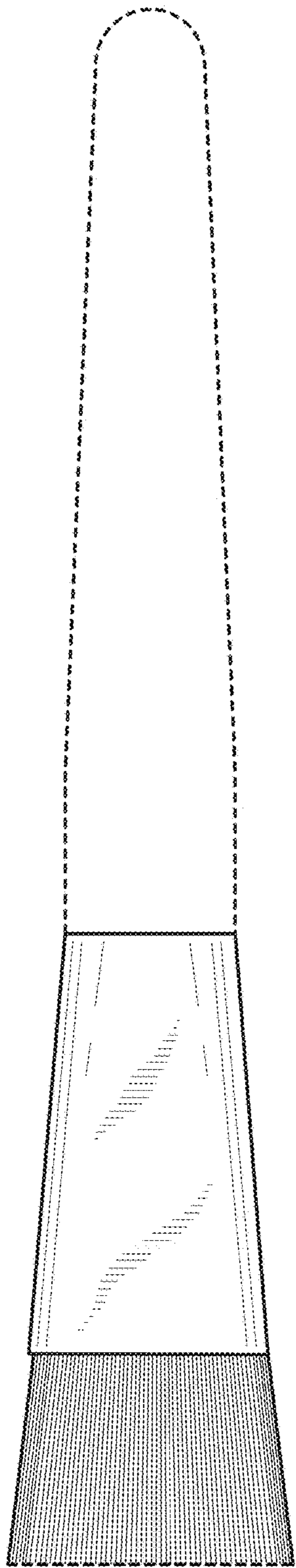
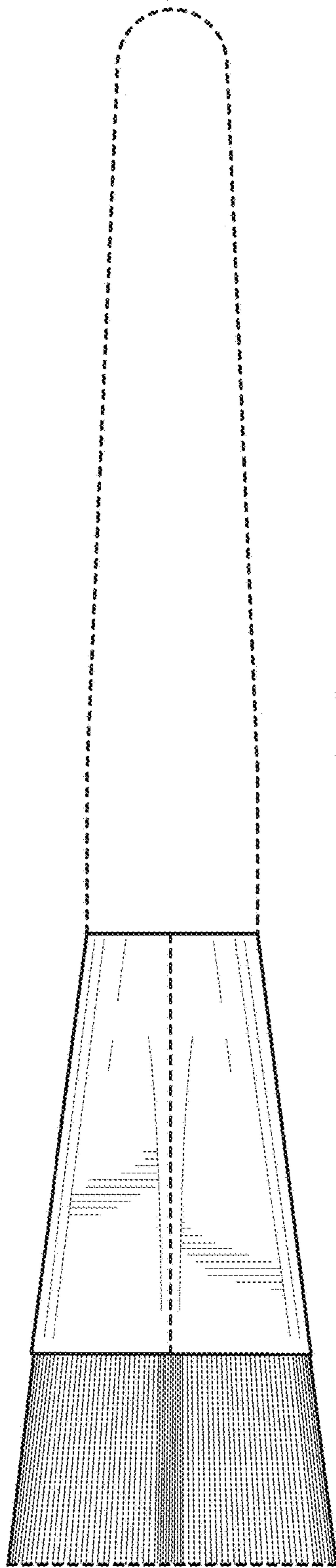


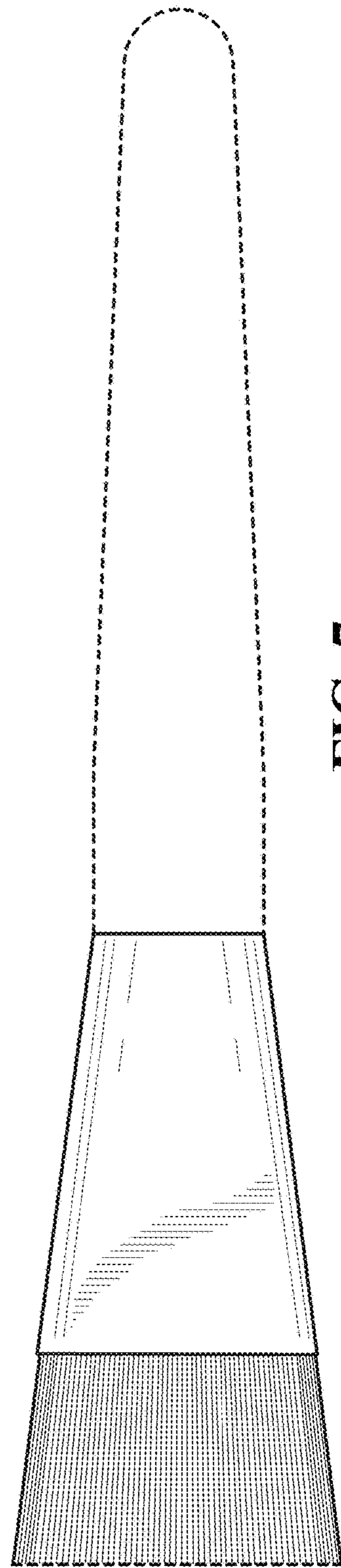
FIG. 4



**FIG. 5**



**FIG. 6**



**FIG. 7**

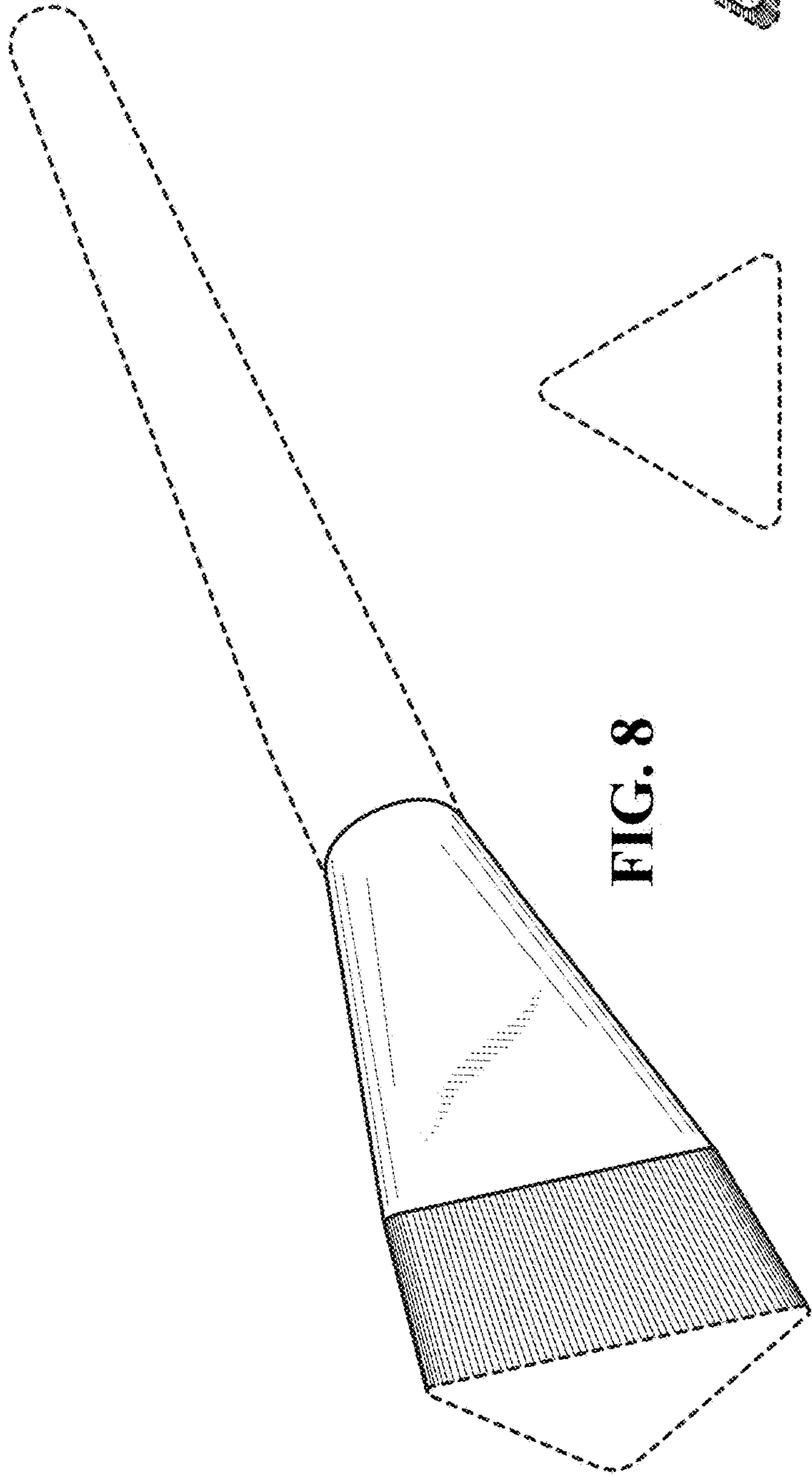


FIG. 8

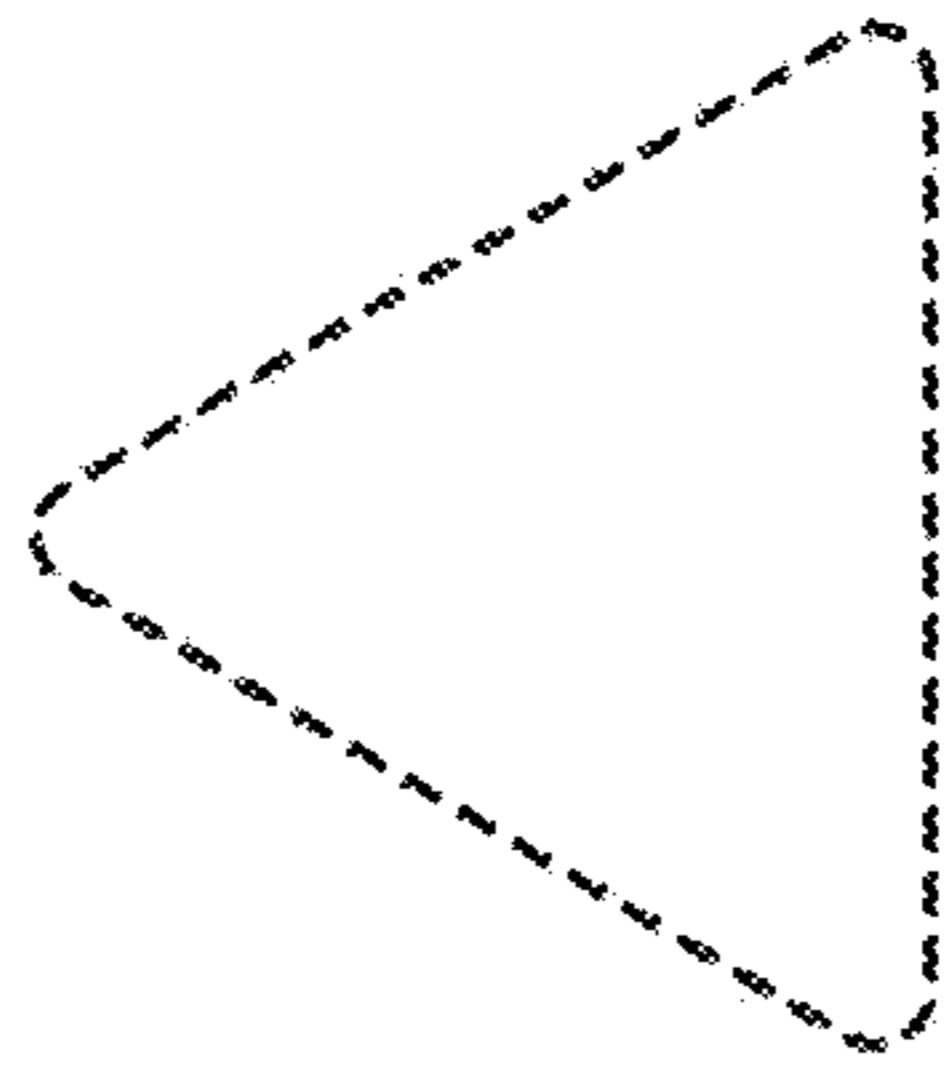


FIG. 9

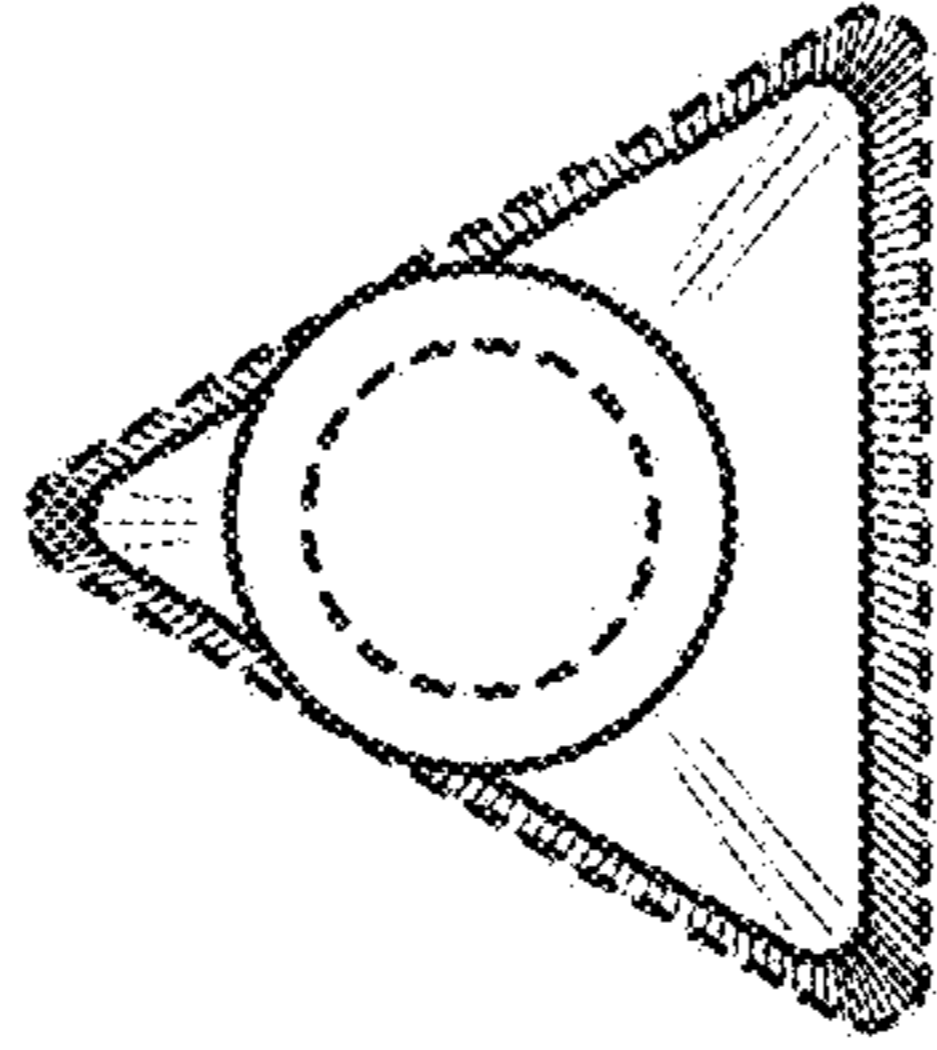


FIG. 10

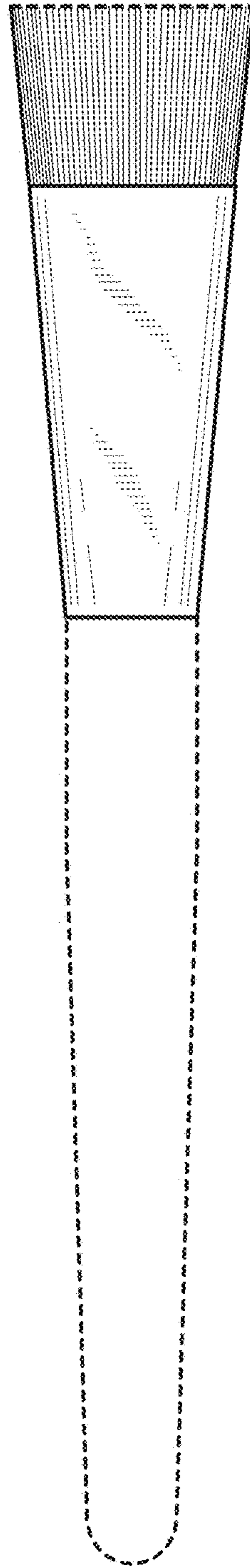
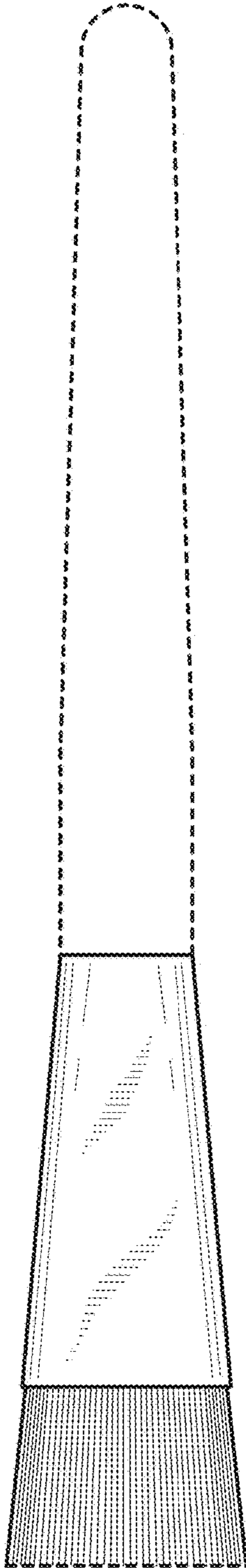
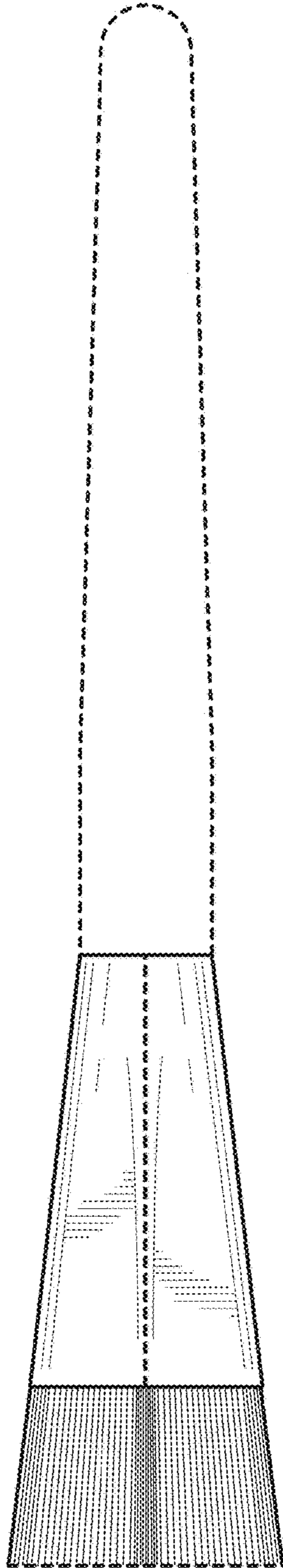


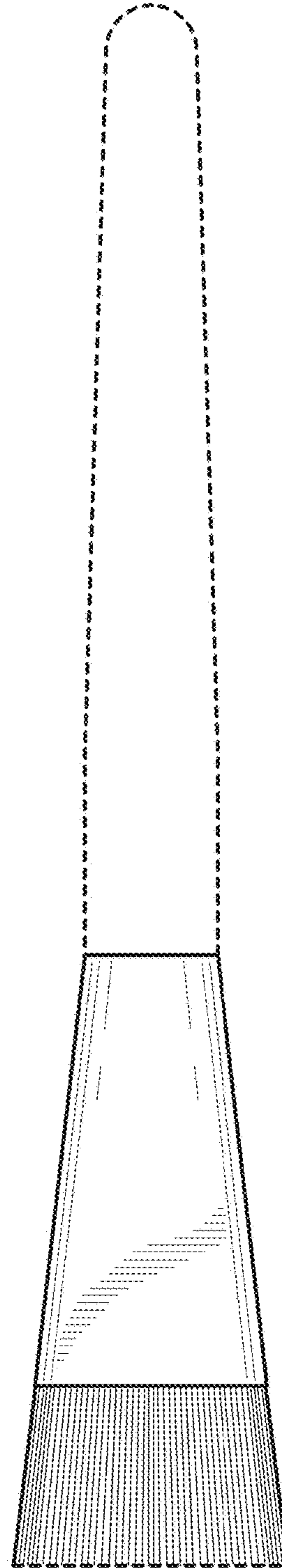
FIG. 11



**FIG. 12**



**FIG. 13**



**FIG. 14**

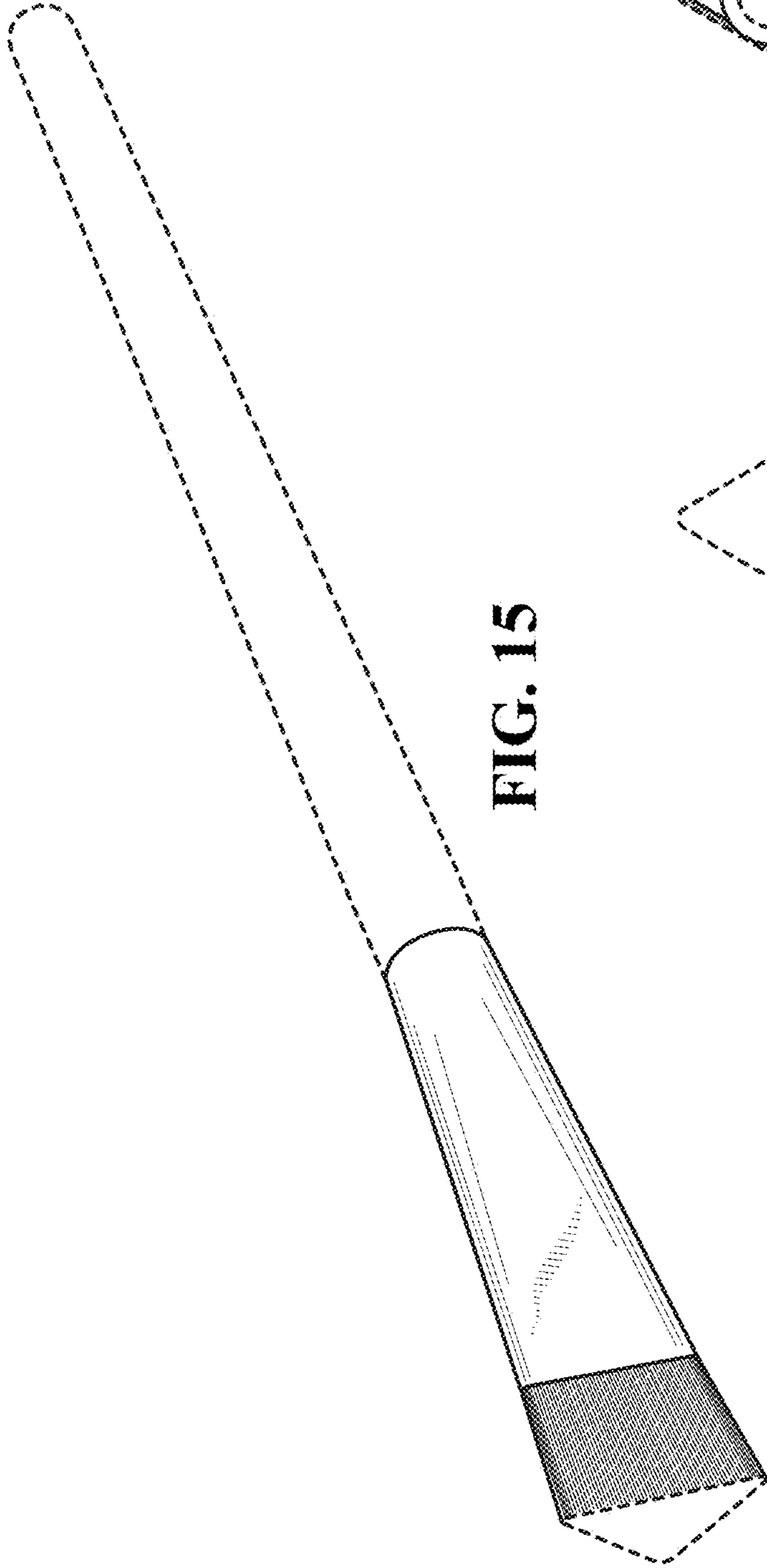


FIG. 15

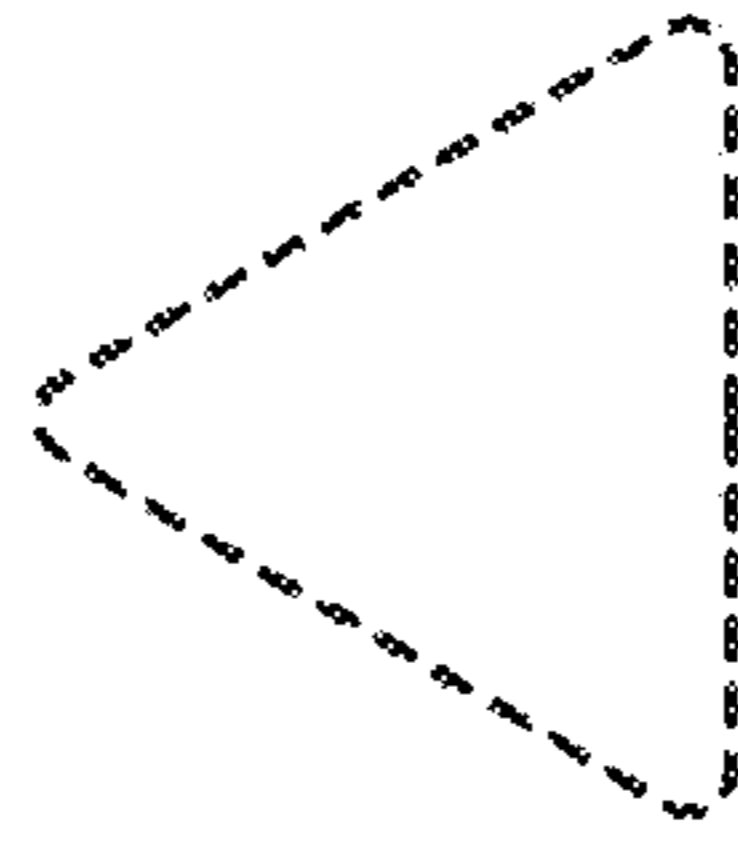


FIG. 16

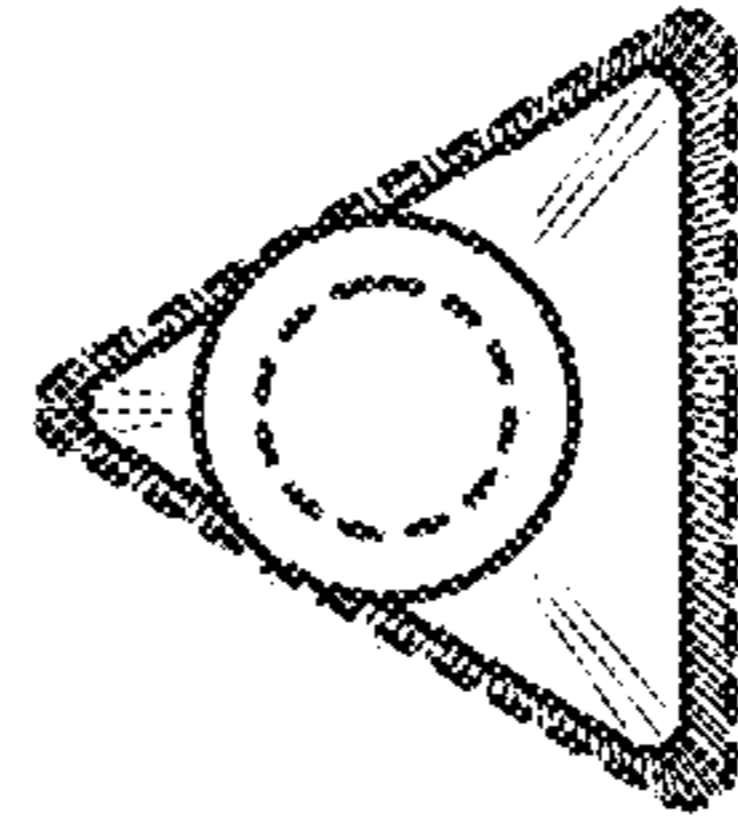


FIG. 17

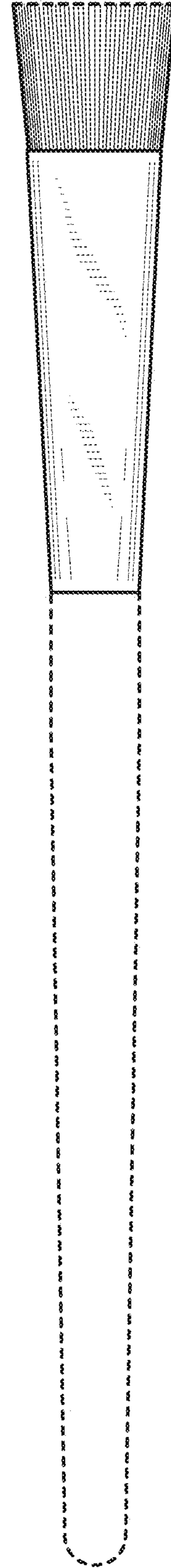
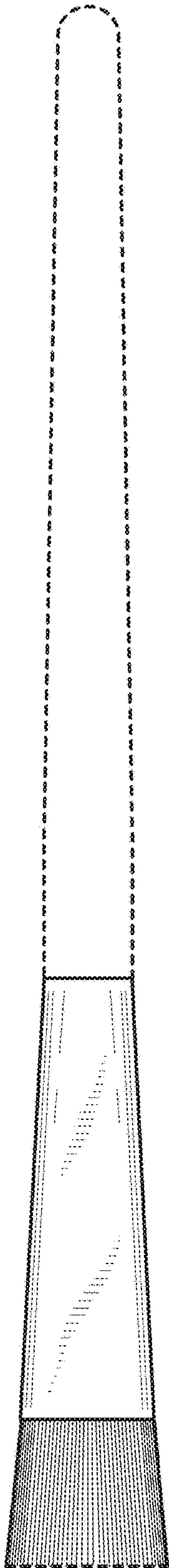
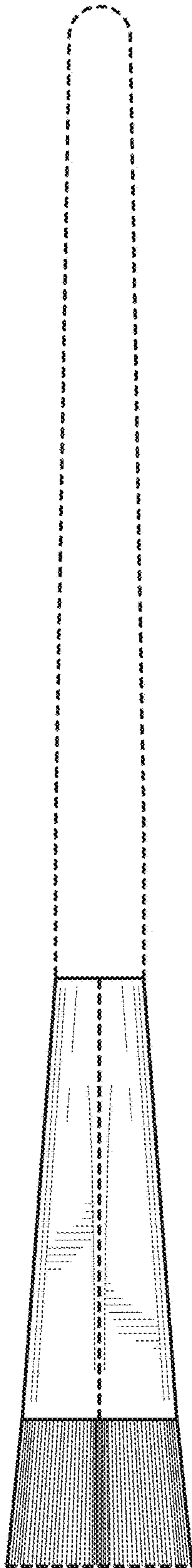


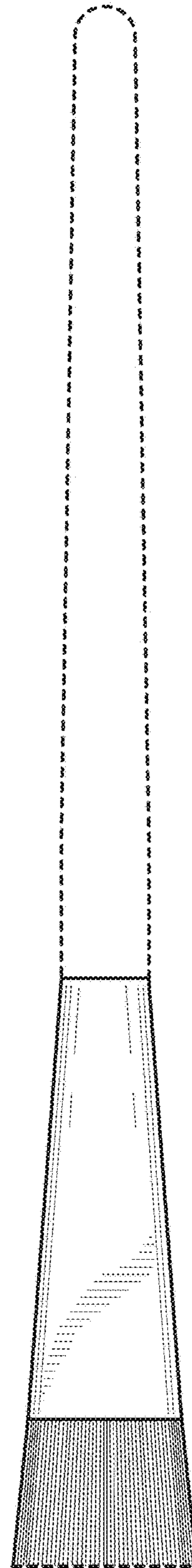
FIG. 18



**FIG. 19**



**FIG. 20**



**FIG. 21**



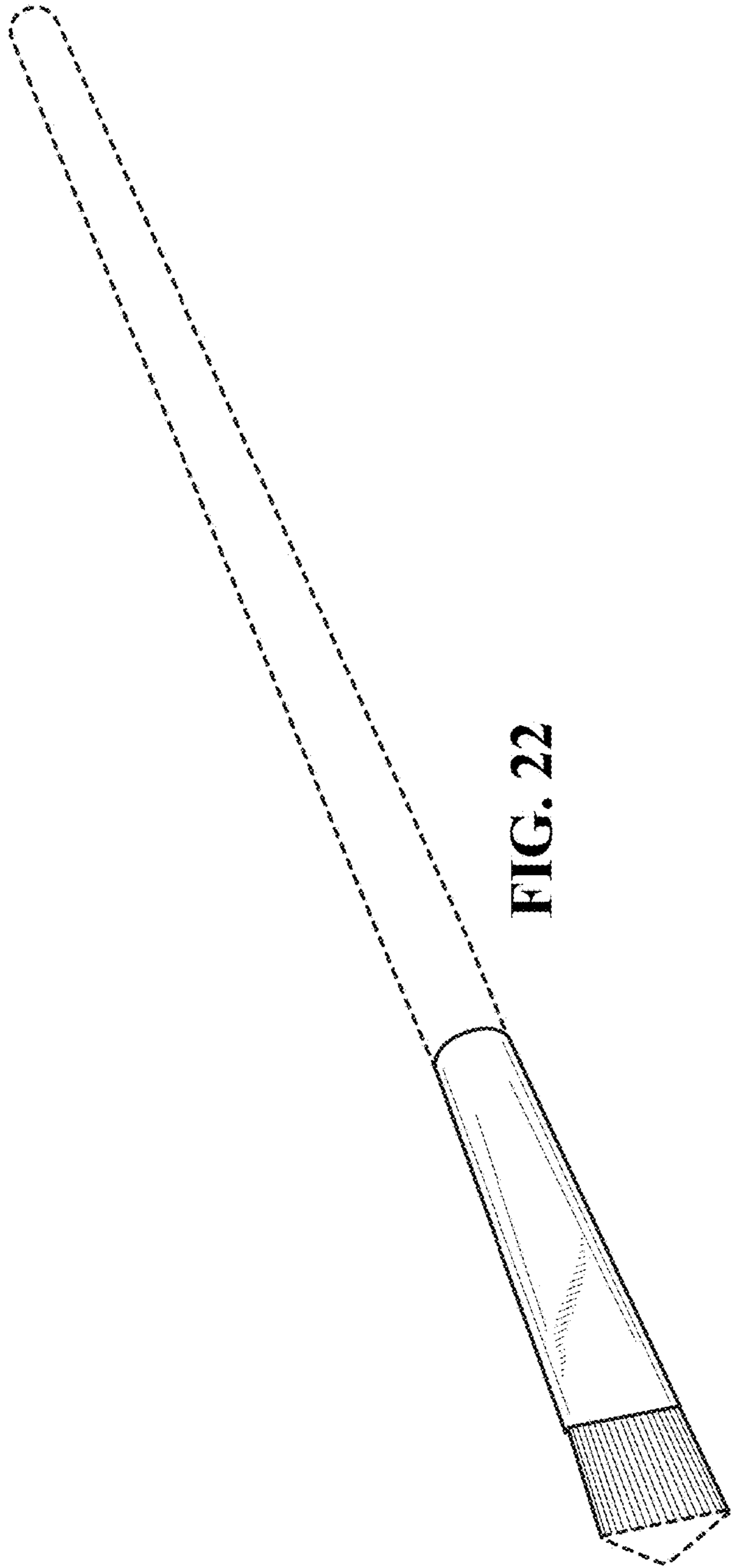


FIG. 22



FIG. 23



FIG. 24

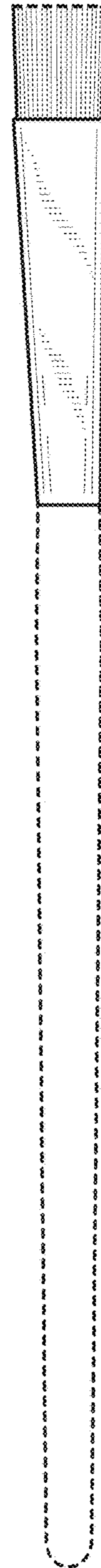
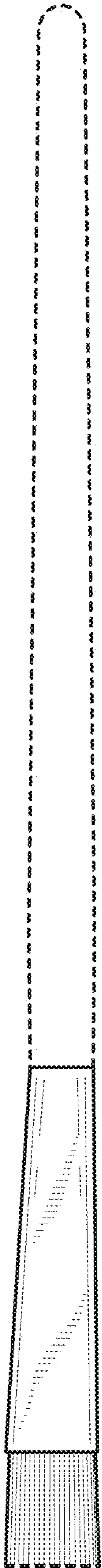
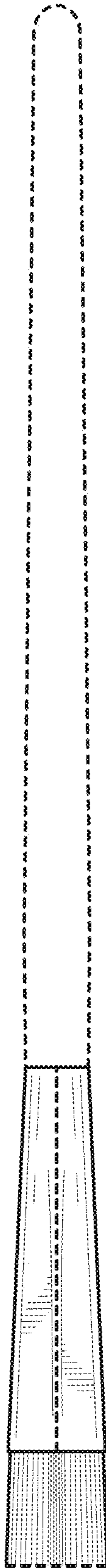


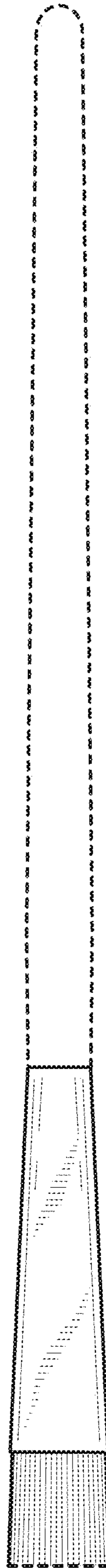
FIG. 25



**FIG. 26**



**FIG. 27**



**FIG. 28**

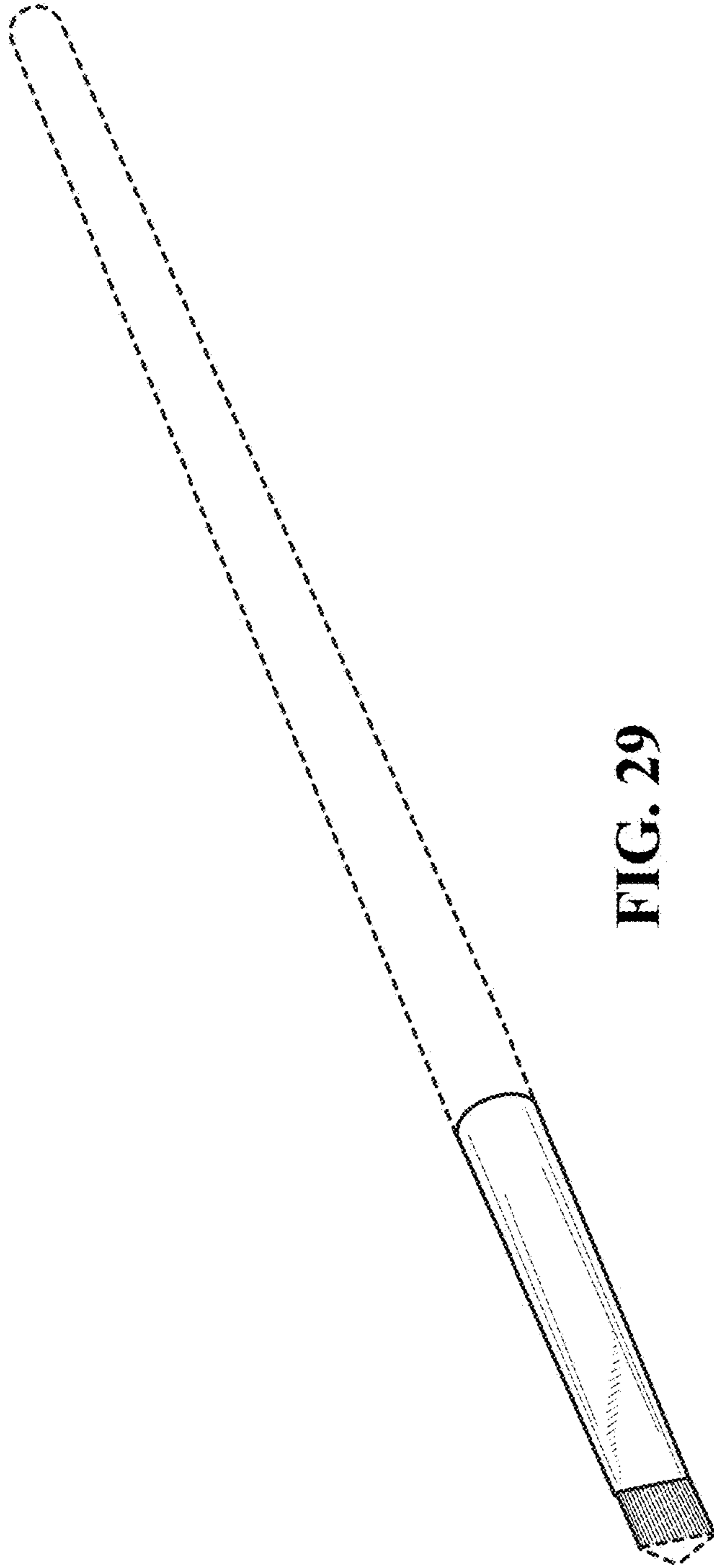


FIG. 29



FIG. 30



FIG. 31

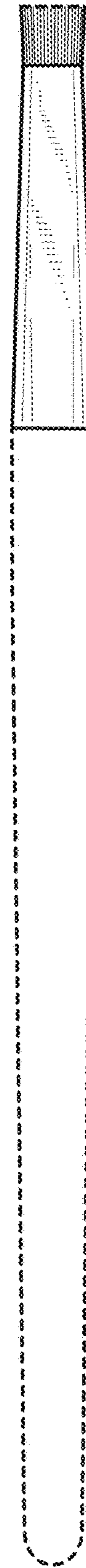
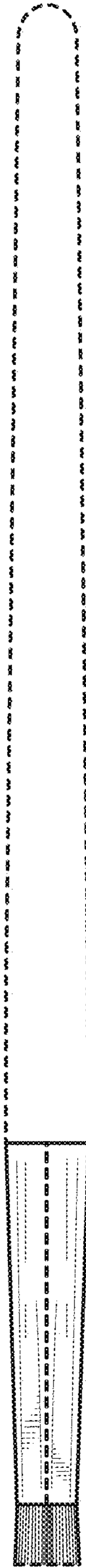


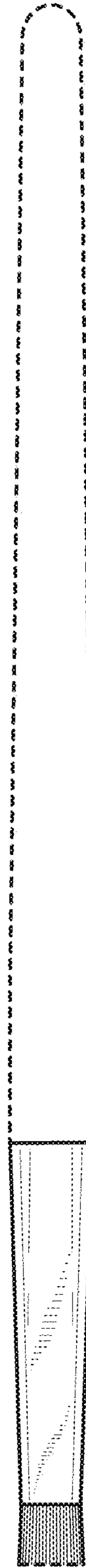
FIG. 32



**FIG. 33**



**FIG. 34**



**FIG. 35**

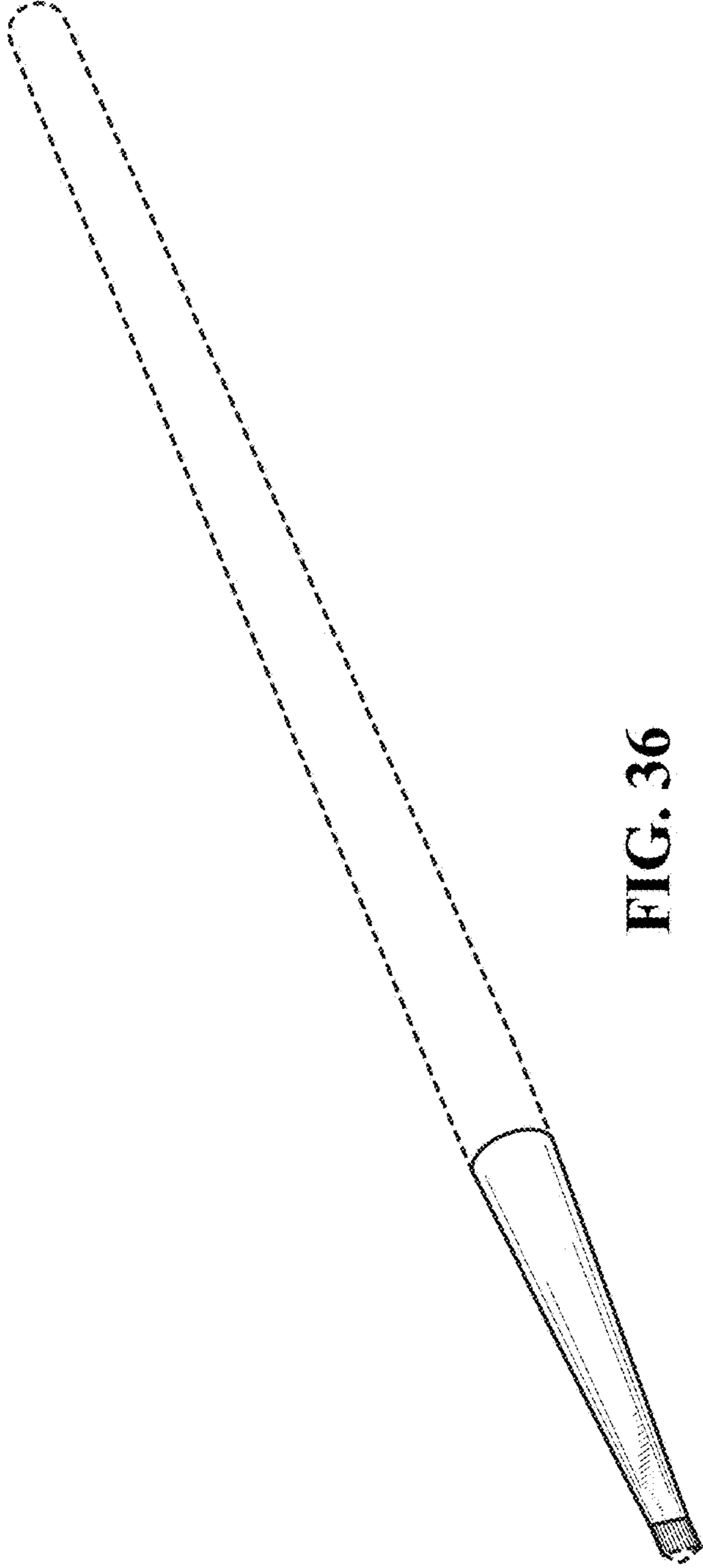


FIG. 36



FIG. 37

FIG. 38

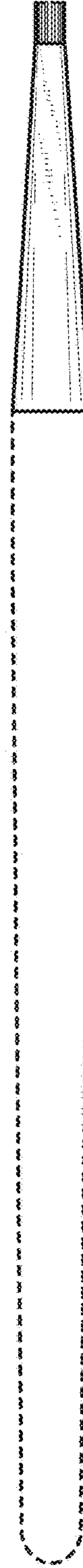


FIG. 39

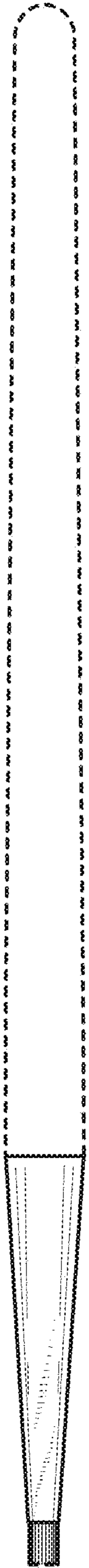


FIG. 40



FIG. 41

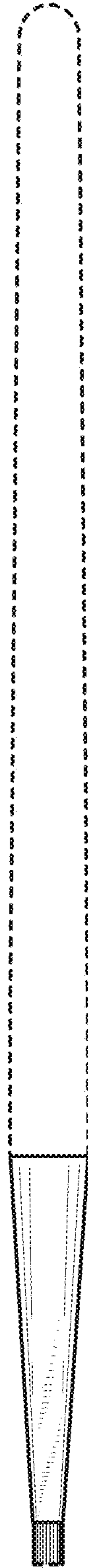


FIG. 42