



US00D896528S

(12) **United States Design Patent** (10) **Patent No.:** **US D896,528 S**  
**Nguyen** (45) **Date of Patent:** **\*\* Sep. 22, 2020**

- (54) **TOOTHBRUSH**
- (71) Applicant: **Dr. Fresh LLC**, La Palma, CA (US)
- (72) Inventor: **Huy Kha Nguyen**, Anaheim, CA (US)
- (73) Assignee: **Dr. Fresh LLC**, La Palma, CA (US)
- (\*\*) Term: **15 Years**
- (21) Appl. No.: **29/687,728**
- (22) Filed: **Apr. 15, 2019**
- (51) **LOC (12) Cl.** ..... **28-03**
- (52) **U.S. Cl.**  
 USPC ..... **D4/101**
- (58) **Field of Classification Search**  
 USPC ..... D4/100, 101, 102, 104, 105, 106, 107,  
 D4/108, 109, 110, 111, 112, 113, 114,  
 D4/115, 121, 137, 199; 15/167.1;  
 D24/152, 176; D28/65  
 CPC ..... A46B 2200/1066  
 See application file for complete search history.

D754,441 S	4/2016	Corbett	
D767,898 S *	10/2016	Nguyen	D4/104
10,004,324 B2	6/2018	Nanda	
D822,389 S	7/2018	Zwimpfer	
D857,396 S *	8/2019	Nguyen	D4/101
2018/0103751 A1	4/2018	Lin	

FOREIGN PATENT DOCUMENTS

CN	303221346	*	5/2015
CN	305034079	*	2/2019

\* cited by examiner

*Primary Examiner* — Karen E Eldridge Powers  
 (74) *Attorney, Agent, or Firm* — Kane Kessler, P.C.; Paul E. Szabo

(57) **CLAIM**

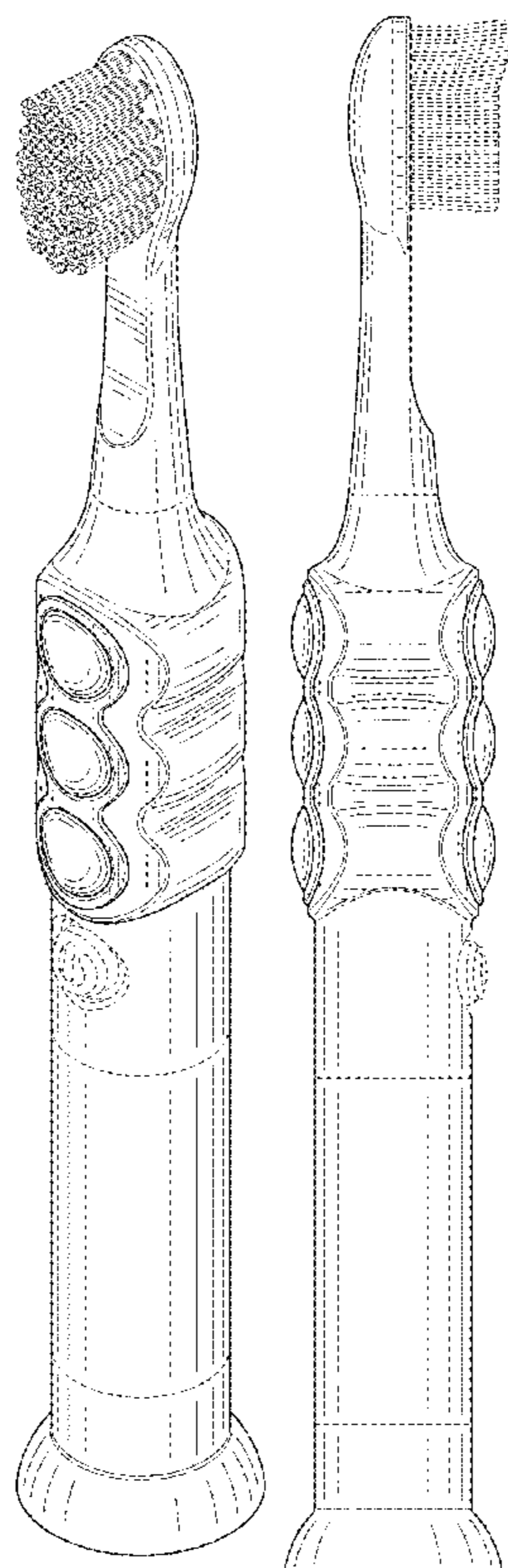
The ornamental design for a toothbrush, as shown.

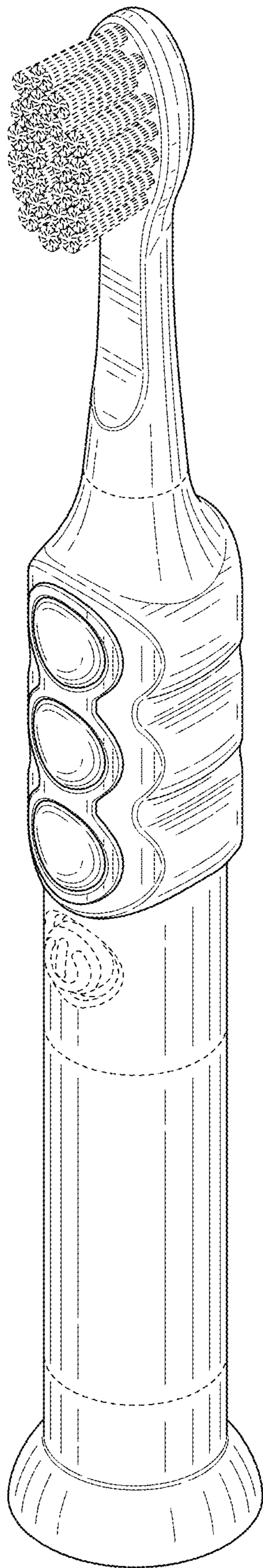
**DESCRIPTION**

FIG. 1 is a perspective view of a toothbrush that is an embodiment of the invention;  
 FIG. 2 is a front elevational view of the toothbrush; and  
 FIG. 3 is a back elevational view of the toothbrush.  
 FIG. 4 is a left side elevational view of the toothbrush;  
 FIG. 5 is a right side elevational view of the toothbrush;  
 FIG. 6 is a top plan view of the toothbrush; and,  
 FIG. 7 is a bottom plan view of the toothbrush.

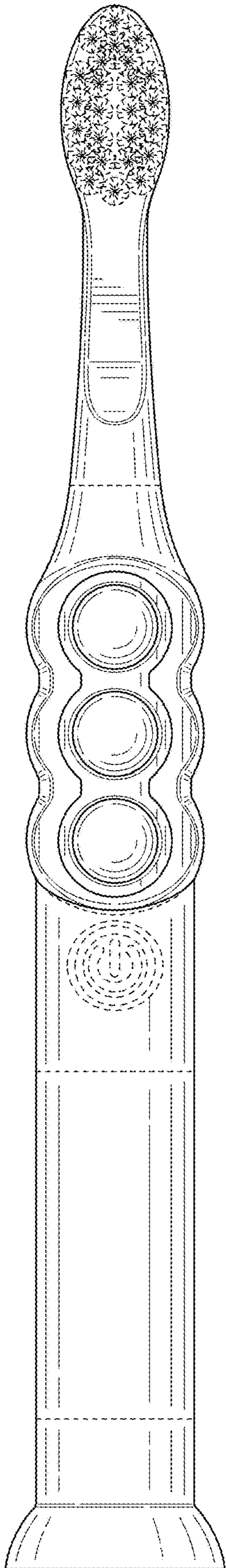
**1 Claim, 4 Drawing Sheets**

- (56) **References Cited**
- U.S. PATENT DOCUMENTS
- |              |         |         |
|--------------|---------|---------|
| 5,170,809 A  | 12/1992 | Imai    |
| 5,504,959 A  | 4/1996  | Yukawa  |
| D483,568 S   | 12/2003 | Jamson  |
| D674,195 S   | 1/2013  | Nanda   |
| 9,044,083 B2 | 6/2015  | Nanda   |
| D733,433 S   | 7/2015  | Corbett |

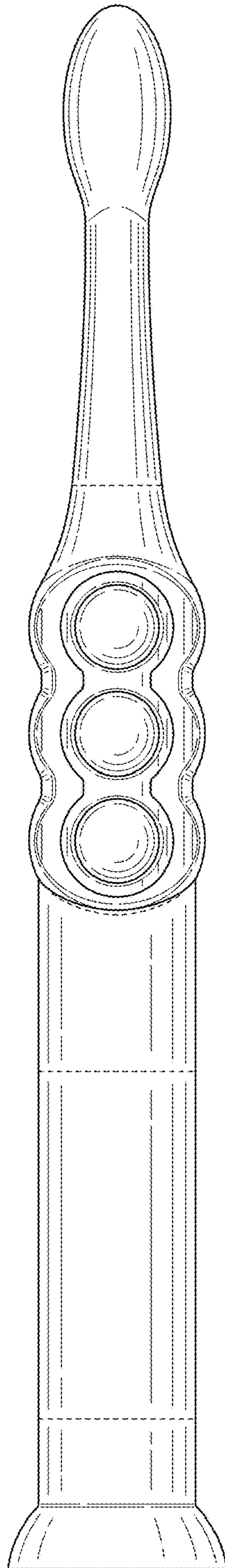




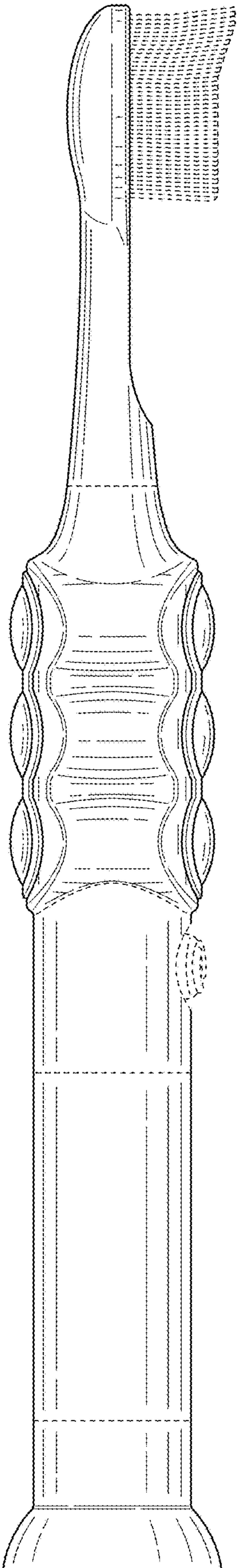
**FIG. 1**



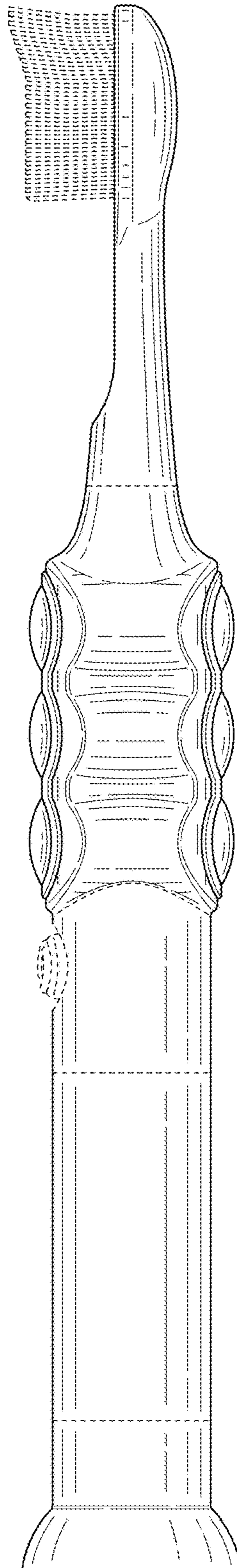
**FIG. 2**



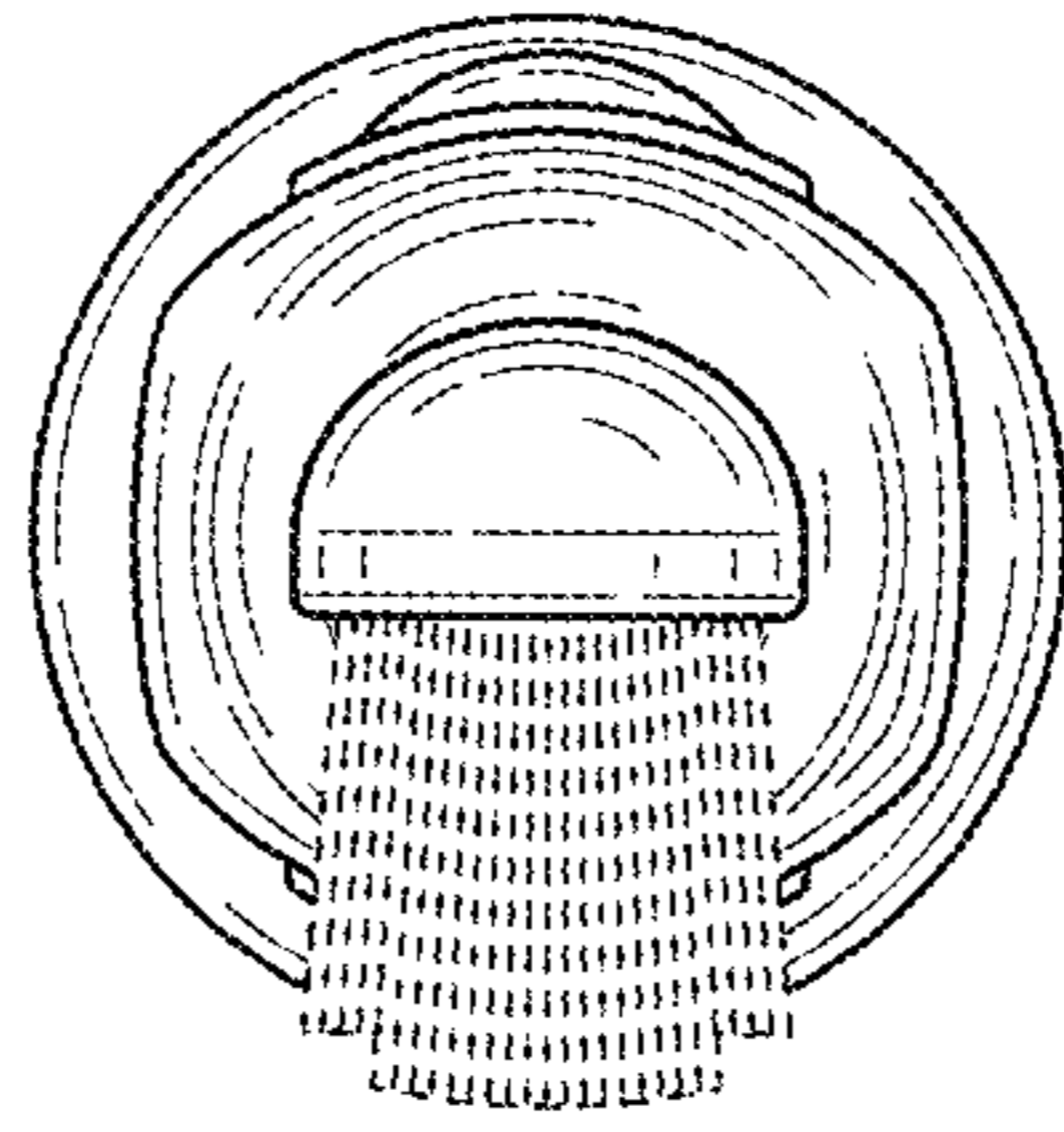
**FIG. 3**



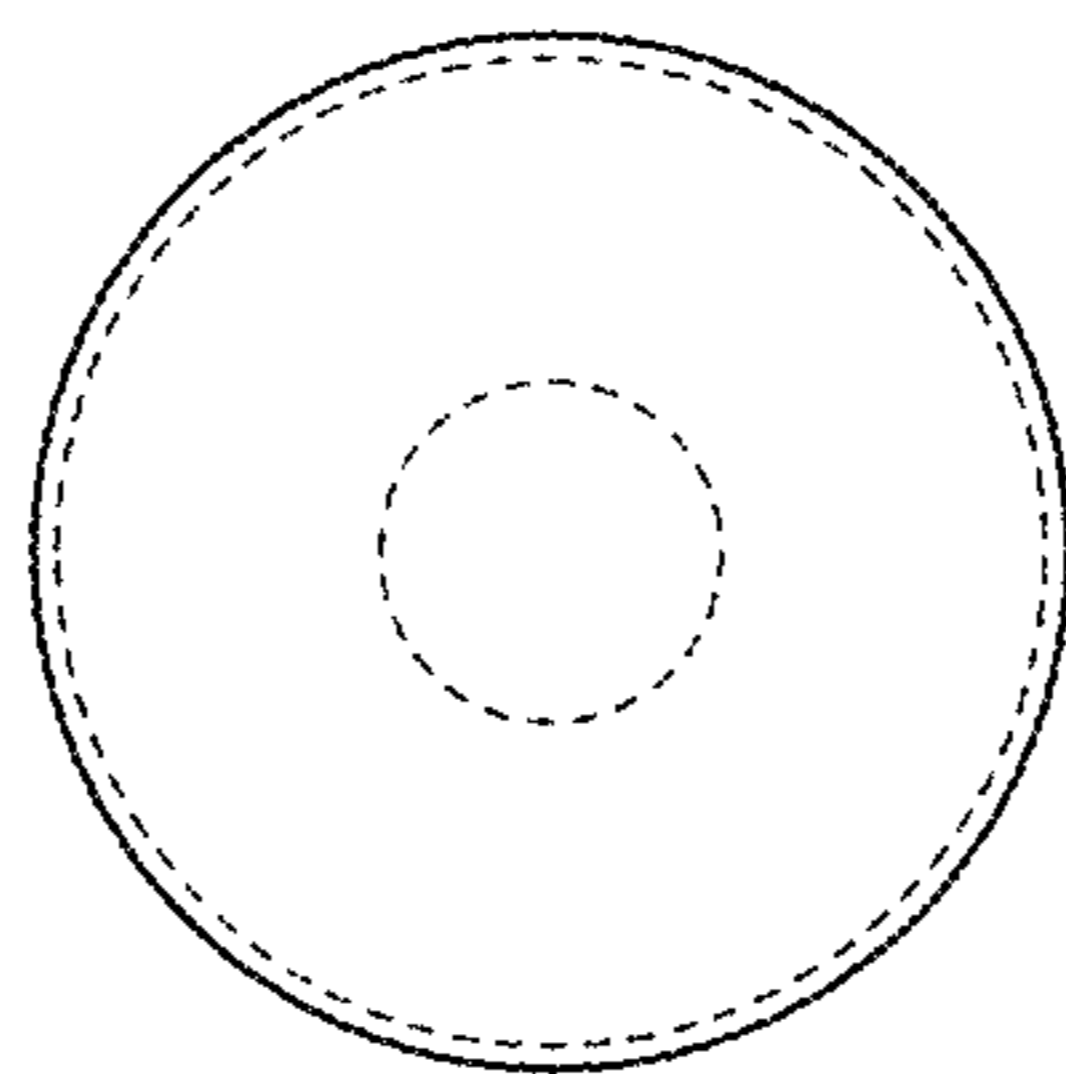
**FIG. 4**



**FIG. 5**



**FIG. 6**



**FIG. 7**