



US00D896522S

(12) **United States Design Patent** (10) **Patent No.:** **US D896,522 S**
Noto (45) **Date of Patent:** **** Sep. 22, 2020**

(54) **MODULAR ORGANIZATIONAL SYSTEM**

(71) Applicant: **Steven M. Noto**, Jones, OK (US)

(72) Inventor: **Steven M. Noto**, Jones, OK (US)

(**) Term: **15 Years**

(21) Appl. No.: **29/729,393**

(22) Filed: **Mar. 26, 2020**

Related U.S. Application Data

(60) Division of application No. 29/692,273, filed on May 23, 2019, now Pat. No. Des. 880,161, which is a (Continued)

(51) **LOC (12) Cl.** **03-01**

(52) **U.S. Cl.**
USPC **D3/304**

(58) **Field of Classification Search**
USPC D6/512-514, 657-658, 663-664,
D6/667-668, 672-674, 682-682.1;
(Continued)

(56) **References Cited**

U.S. PATENT DOCUMENTS

3,343,706 A * 9/1967 Berend A47B 88/994
220/23.4
D235,621 S * 7/1975 Cawrse D9/425
(Continued)

Primary Examiner — Kelley A Donnelly

(74) *Attorney, Agent, or Firm* — Dunlap Coddling, P.C.

(57) **CLAIM**

The ornamental design for a modular organizational system, as shown and described.

DESCRIPTION

FIG. 1 is a front perspective view of a container and a base of a modular organizational system, with the container shown attached to the base.

FIG. 2 is a front perspective view of the container of FIG. 1.

FIG. 3 is a front elevational view thereof; the rear elevational view being the same as the front elevational view.

FIG. 4 is a right side elevational view thereof; the left side elevational view being the same as the left side elevational view.

FIG. 5 is a top plan view thereof.

FIG. 6 is a bottom plan view thereof.

FIG. 7 is a front perspective view of a container and a base of a modular organizational system, with the container shown attached to the base.

FIG. 8 is a front perspective view of the container of FIG. 1.

FIG. 9 is a front elevational view thereof.

FIG. 10 is a rear elevational view thereof.

FIG. 11 is a right side elevational view thereof.

FIG. 12 is a left side elevational view thereof.

FIG. 13 is a top plan view thereof.

FIG. 14 is a bottom plan view thereof.

FIG. 15 is a front perspective view of a container and a base of a modular organizational system, with the container shown attached to the base.

FIG. 16 is a front perspective view of the container of FIG. 15.

FIG. 17 is a front elevational view thereof; the rear elevational view being the same as the front elevational view.

FIG. 18 is a right side elevational view thereof.

FIG. 19 is a left side elevational view thereof.

FIG. 20 is a top plan view thereof.

FIG. 21 is a bottom plan view thereof.

FIG. 22 is a front perspective view of a container and a base of a modular organizational system, with the container shown attached to the base.

FIG. 23 is a front perspective view of the container of FIG. 22.

FIG. 24 is a front elevational view thereof; the rear elevational view being the same as the front elevational view.

FIG. 25 is a right side elevational view thereof; the left side elevational view being the same as the left side elevational view.

FIG. 26 is a top plan view thereof.

FIG. 27 is a bottom plan view thereof.

(Continued)

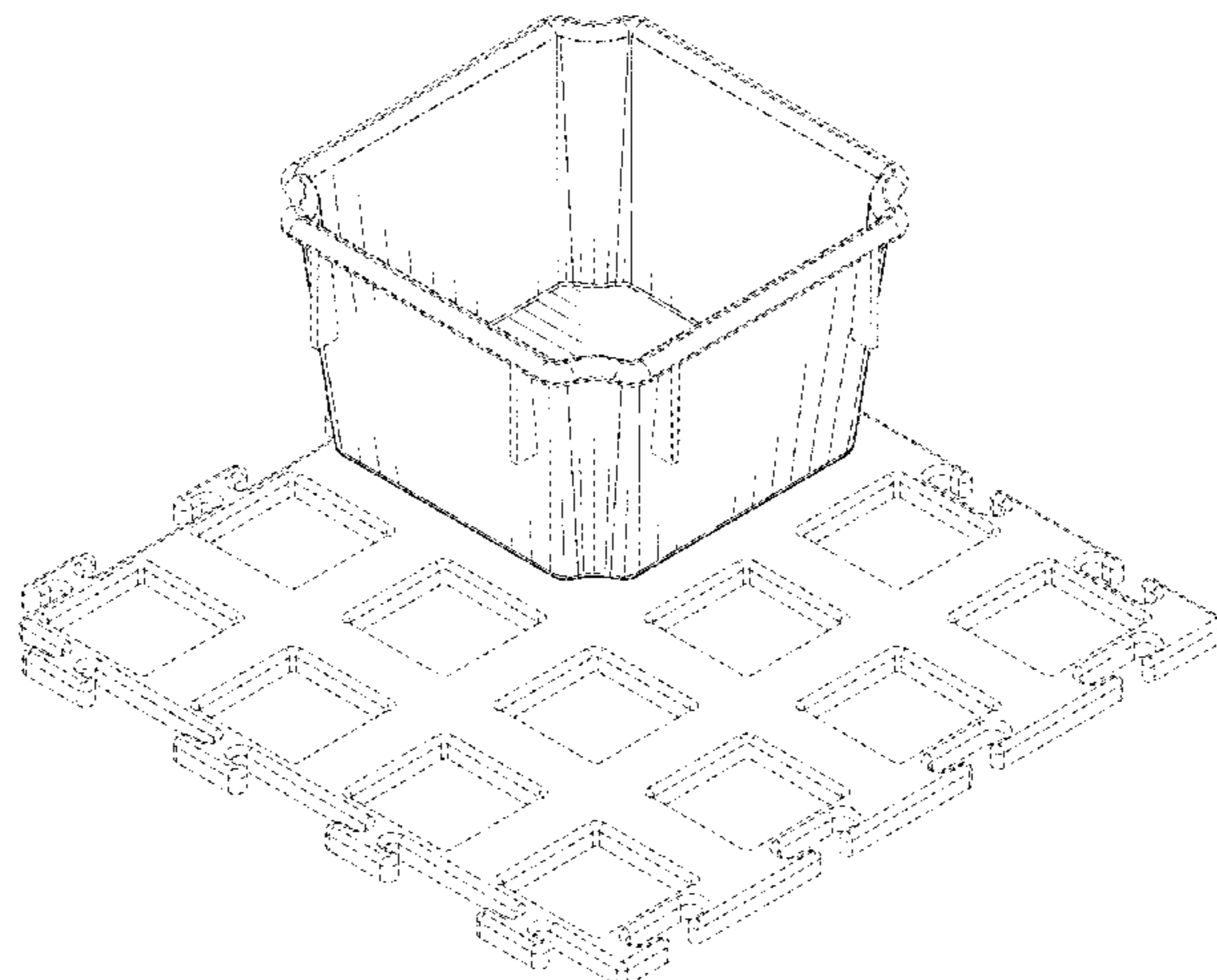


FIG. 28 is a front perspective view of a container and a base of a modular organizational system, with the container shown attached to the base.

FIG. 29 is a front perspective view of the container of FIG. 28.

FIG. 30 is a front elevational view thereof; the rear elevational view being the same as the front elevational view.

FIG. 31 is a right side elevational view thereof; the left side elevational view being the same as the right side elevational view.

FIG. 32 is a top plan view thereof; and,

FIG. 33 is a bottom plan view thereof.

The dashed broken lines shown in the figures are for purposes of illustrating environment only and form no part of the claimed design. The dot-dash broken lines shown in the figures represent unclaimed boundaries of the claimed design.

1 Claim, 22 Drawing Sheets

Related U.S. Application Data

continuation-in-part of application No. 16/023,063, filed on Jun. 29, 2018, now abandoned.

(58) **Field of Classification Search**

USPC D7/603-608, 629; D15/79-81; D3/304-315

CPC .. B65D 1/00; A47G 21/04; A47J 43/28; A47J 43/283; A47J 43/288; A47F 13/08

See application file for complete search history.

(56)

References Cited

U.S. PATENT DOCUMENTS

D246,872	S	*	1/1978	White	D3/304
D308,272	S	*	5/1990	Koepsell	D34/1
D313,556	S	*	1/1991	Smith	D9/425
5,092,480	A	*	3/1992	Waterston	B65F 1/0053 220/23.4
D363,662	S	*	10/1995	Plater	D3/304
D370,701	S	*	6/1996	Thomsen	D21/493
5,810,187	A	*	9/1998	Woodring	B65D 67/02 206/504
D402,466	S	*	12/1998	Werbesky, Jr.	D3/314
D404,231	S	*	1/1999	Woodring	D3/313
D411,768	S	*	7/1999	Woodring	D3/314
D421,335	S	*	3/2000	Linard	D3/304
D430,372	S	*	8/2000	Howard	D34/1
6,533,234	B2	*	3/2003	Dervaes	B01L 9/06 248/316.3
D530,516	S	*	10/2006	Snell	D3/304
D547,177	S	*	7/2007	Sherman	D9/425
D589,728	S	*	4/2009	Shaha	D3/304
D602,255	S	*	10/2009	Ahlgrim	D3/304
D612,153	S	*	3/2010	Liao	D3/304
D617,989	S	*	6/2010	Naden	D3/304
D752,864	S	*	4/2016	Levie	D3/304
D762,980	S	*	8/2016	Aller	D3/304
D802,925	S	*	11/2017	Cassel	D3/304
D805,776	S	*	12/2017	Shamp	D3/304
D880,161	S	*	4/2020	Noto	D3/304
D880,246	S	*	4/2020	Choi	A47G 19/065 D7/553.6

* cited by examiner

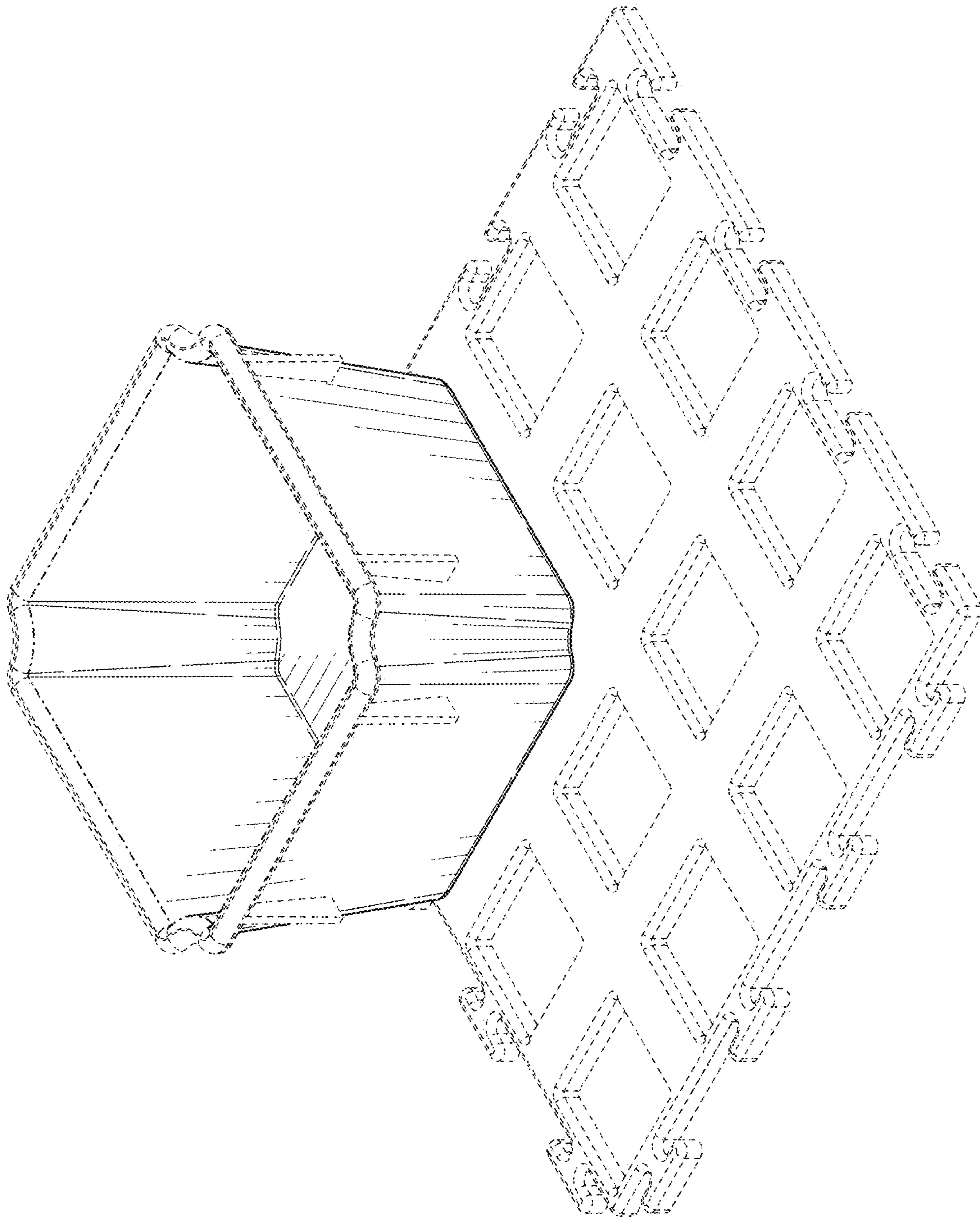


FIG. 1

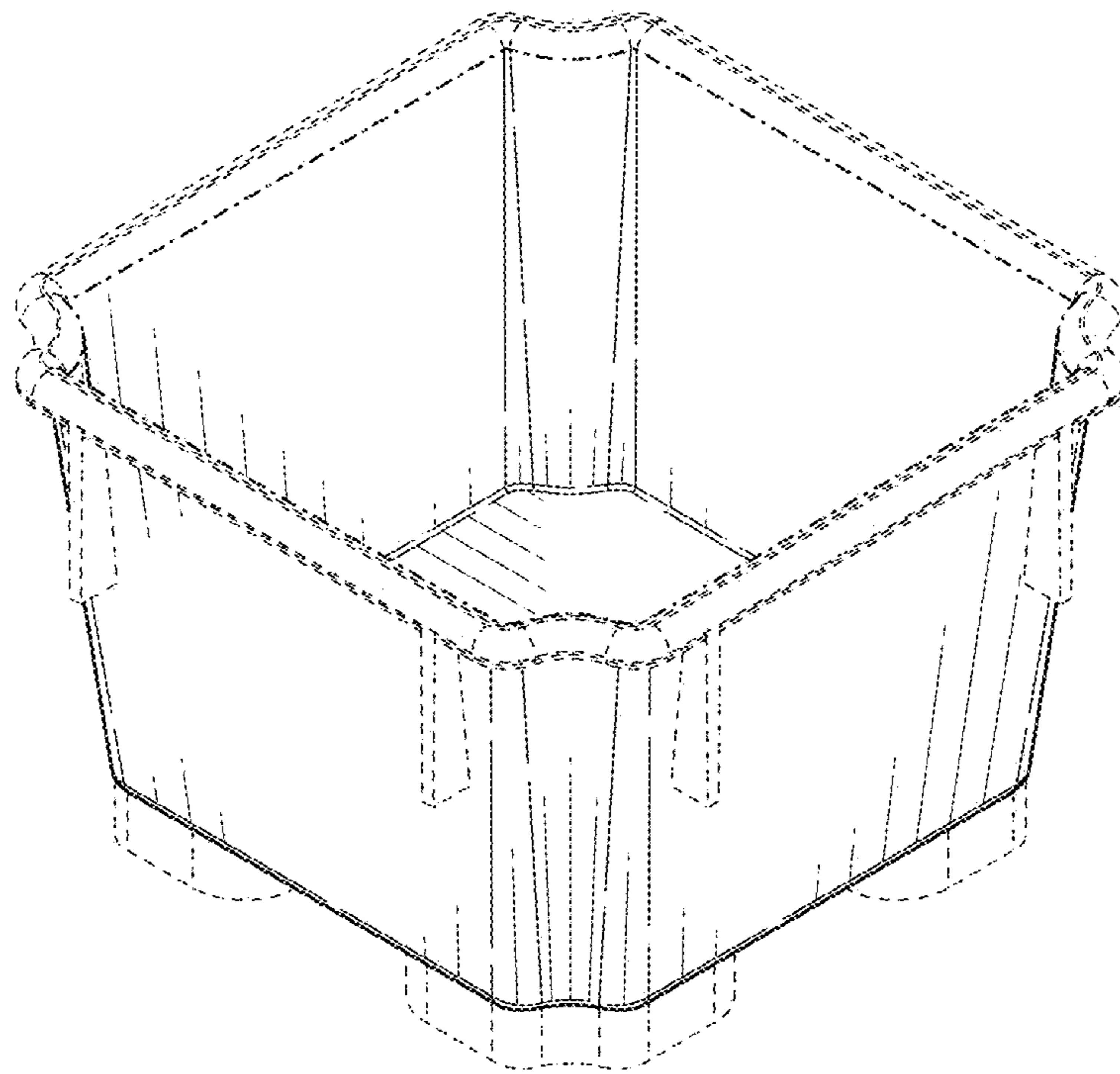


FIG. 2

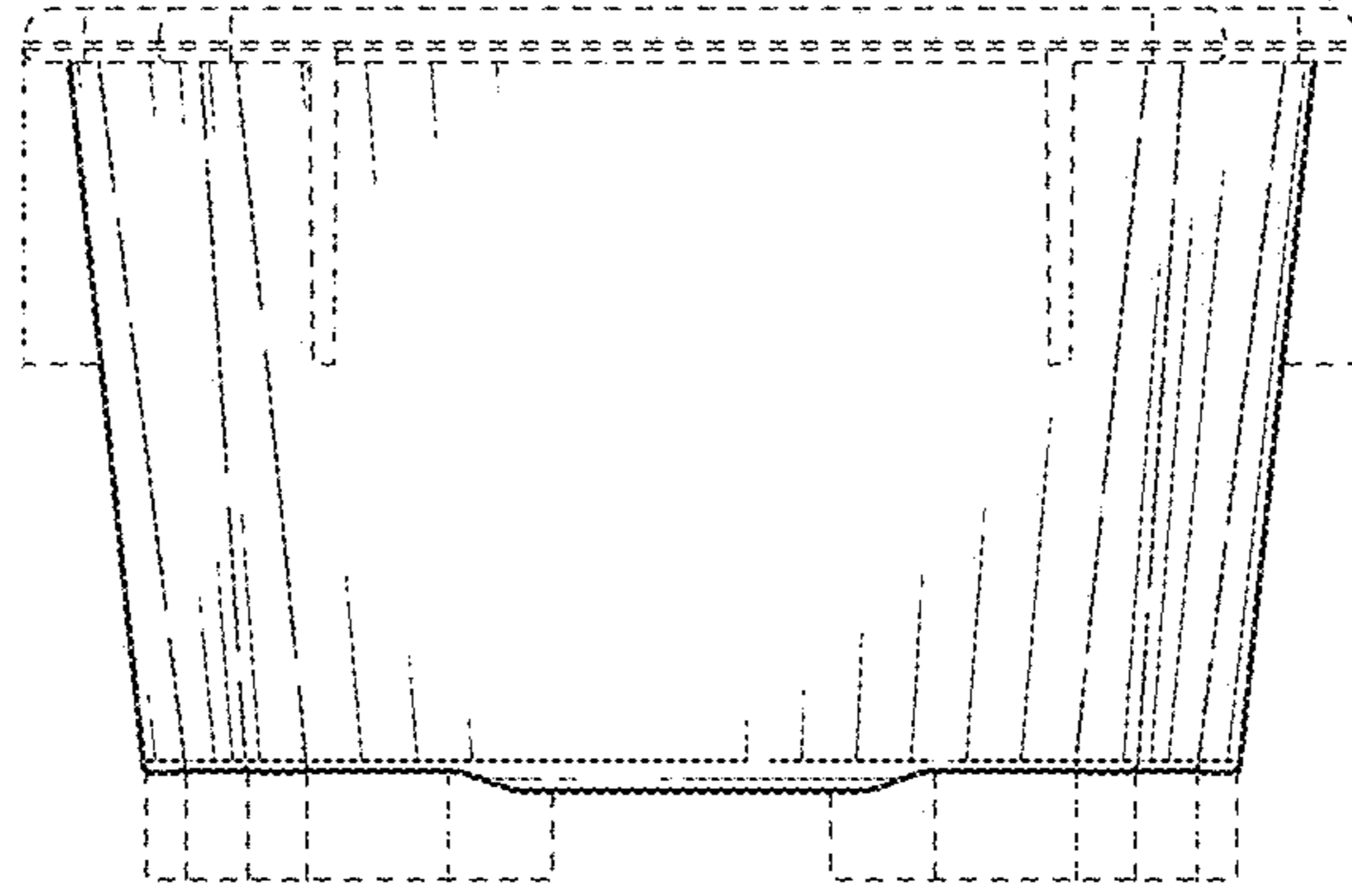


FIG. 3

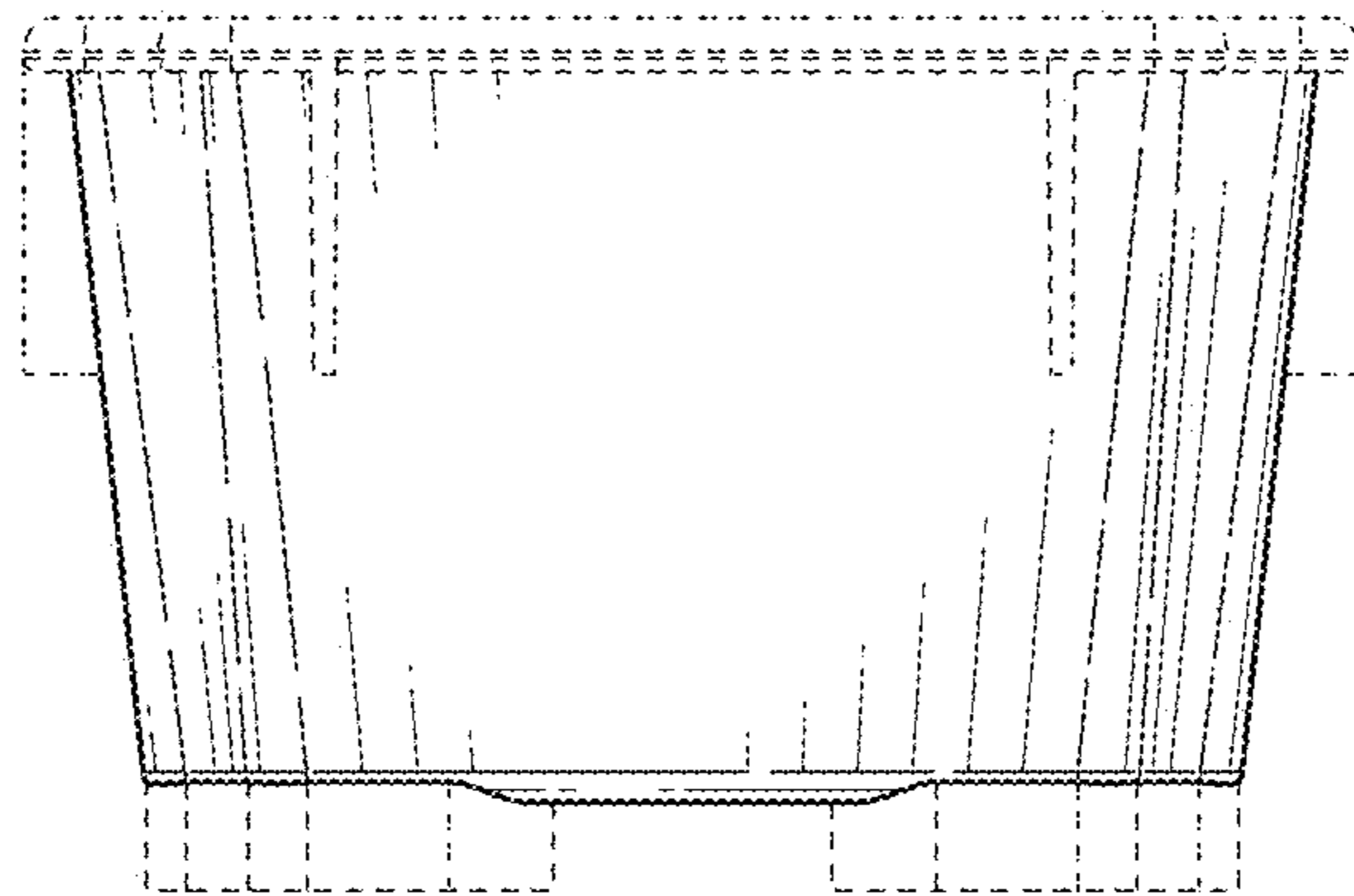


FIG. 4

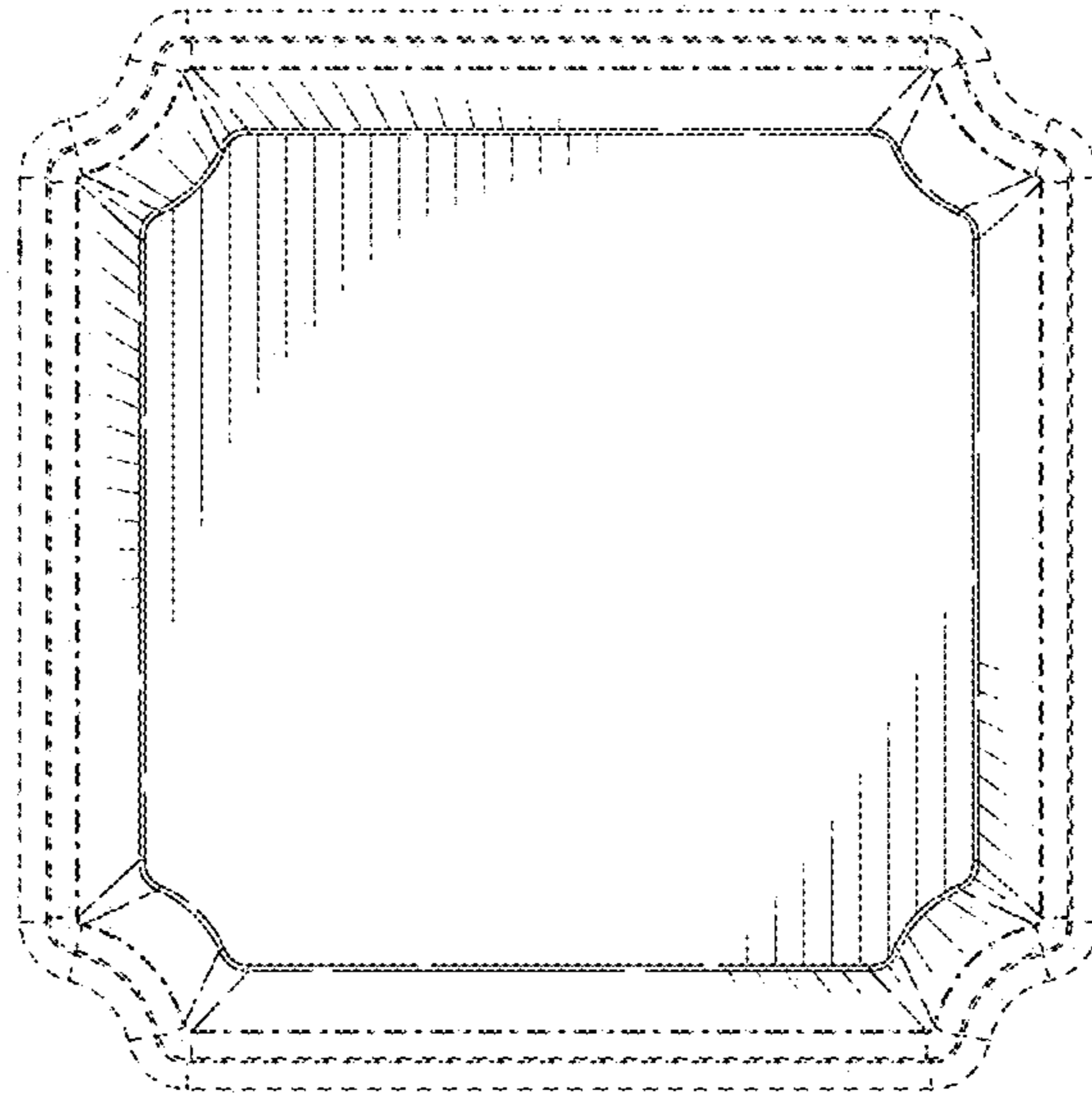


FIG. 5

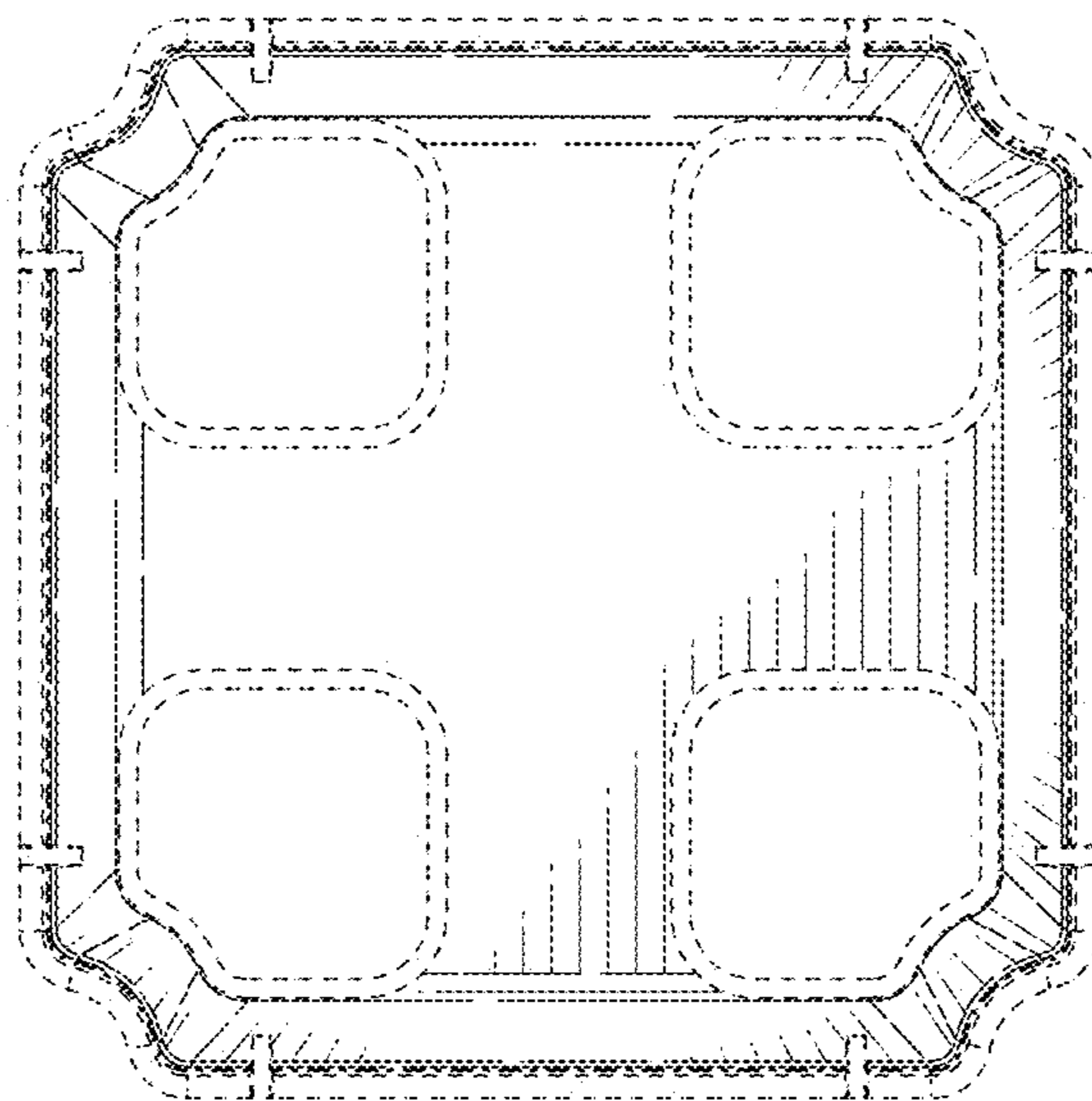


FIG. 6

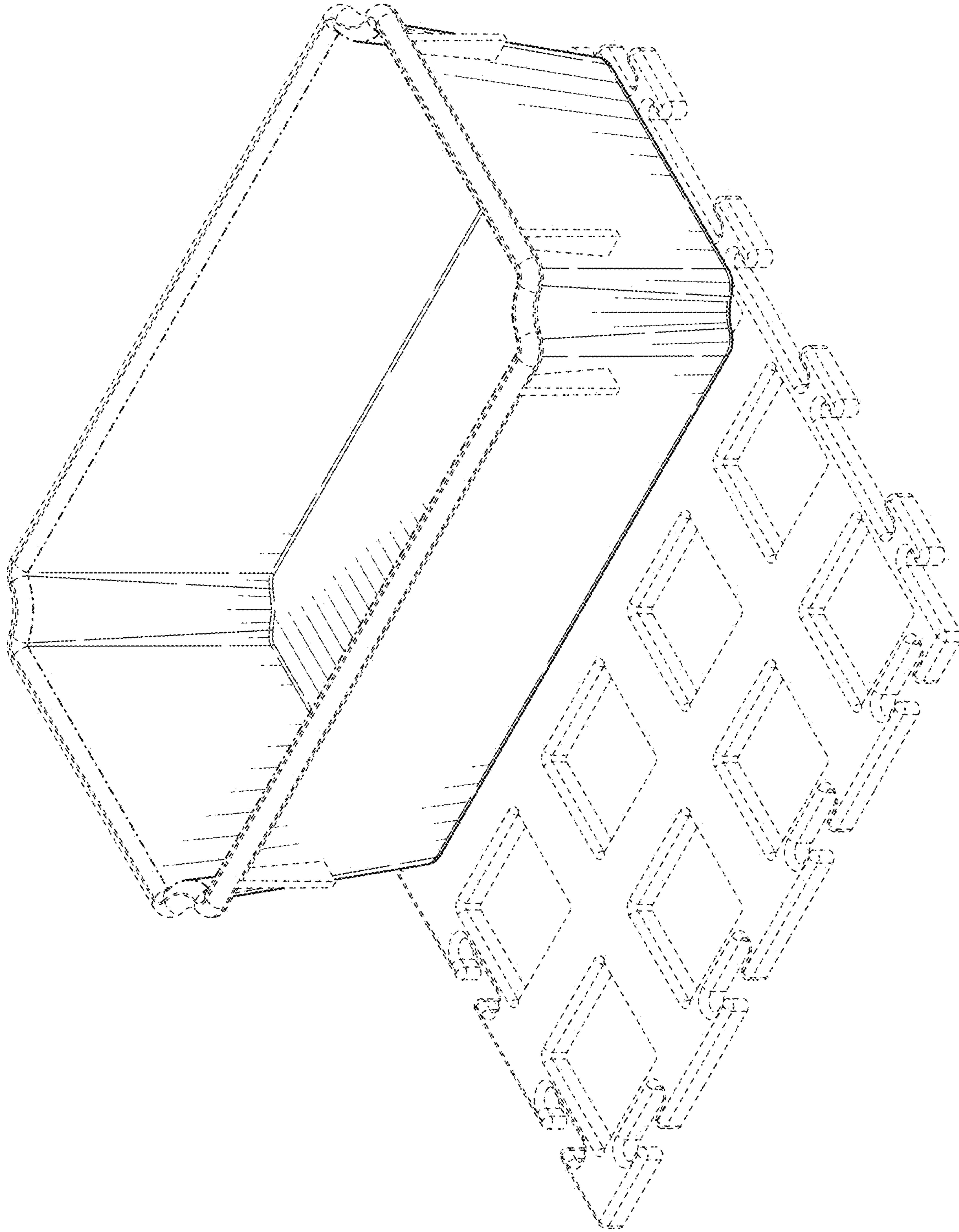


FIG. 7

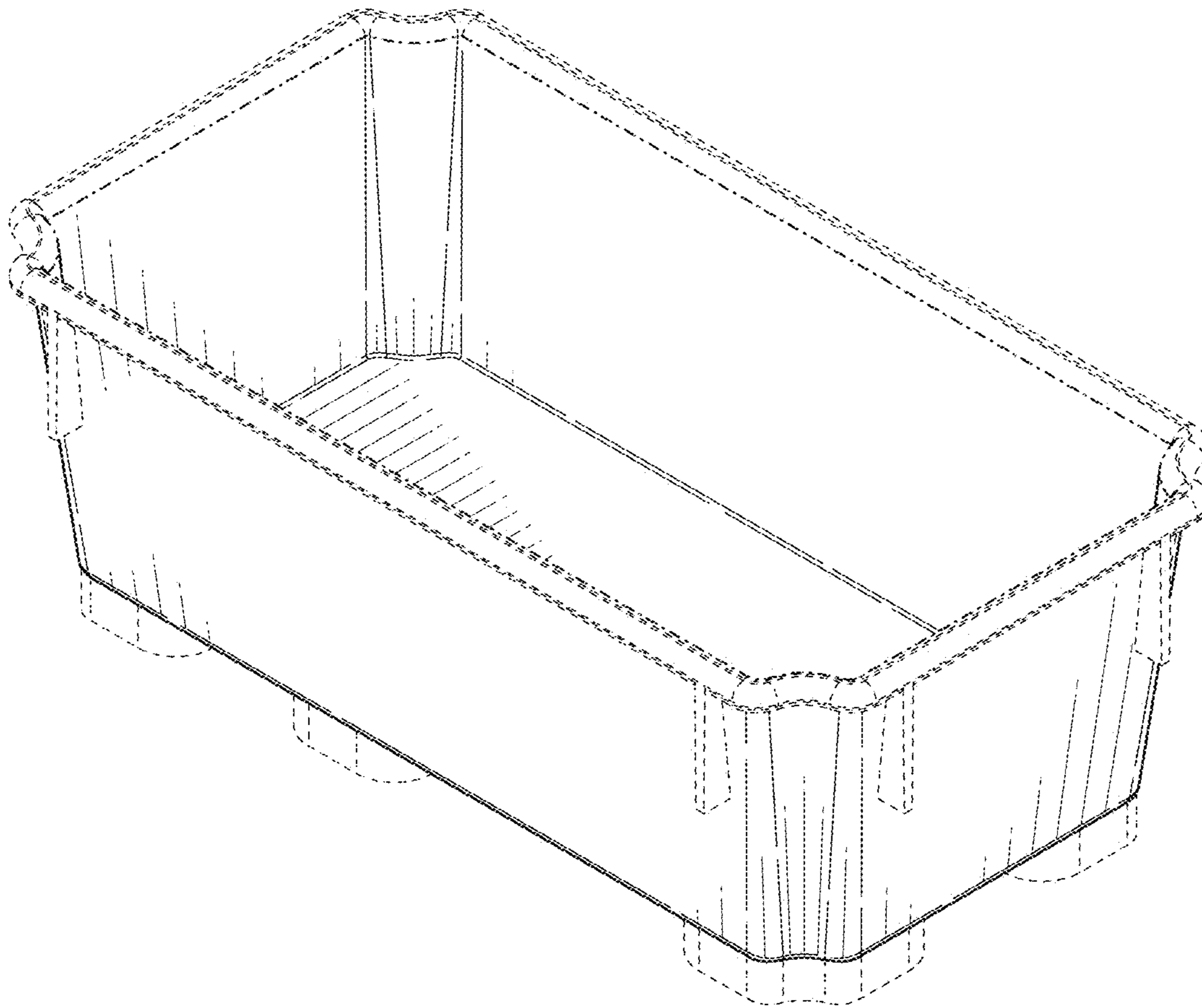


FIG. 8

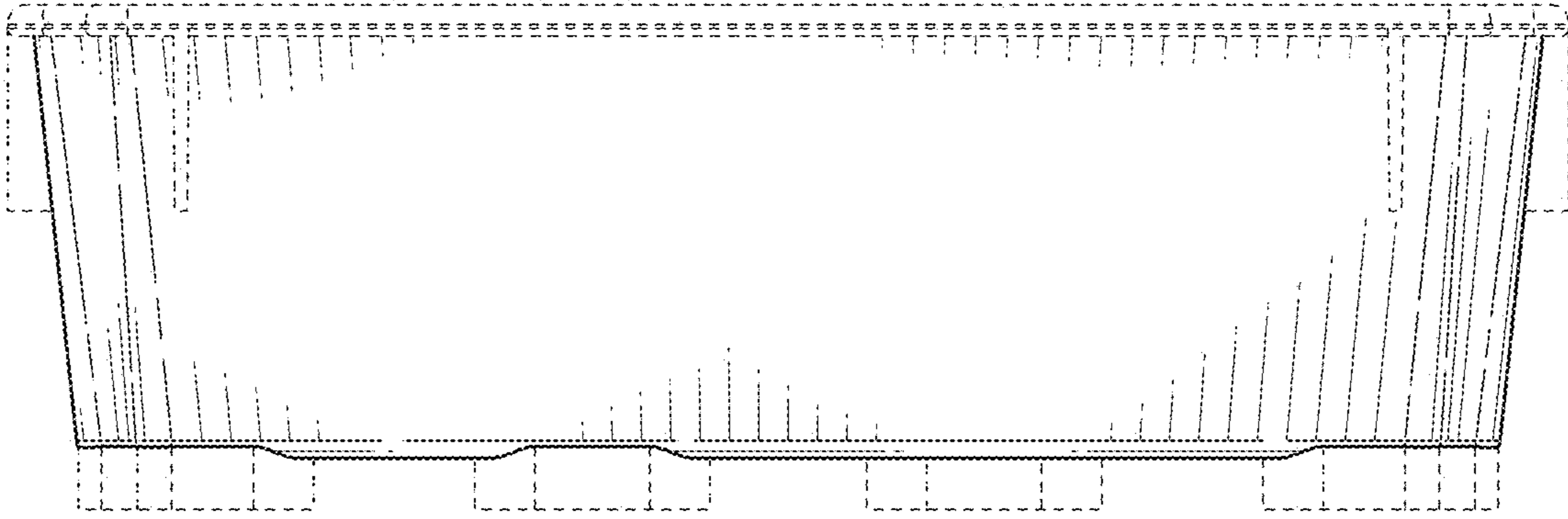


FIG. 9

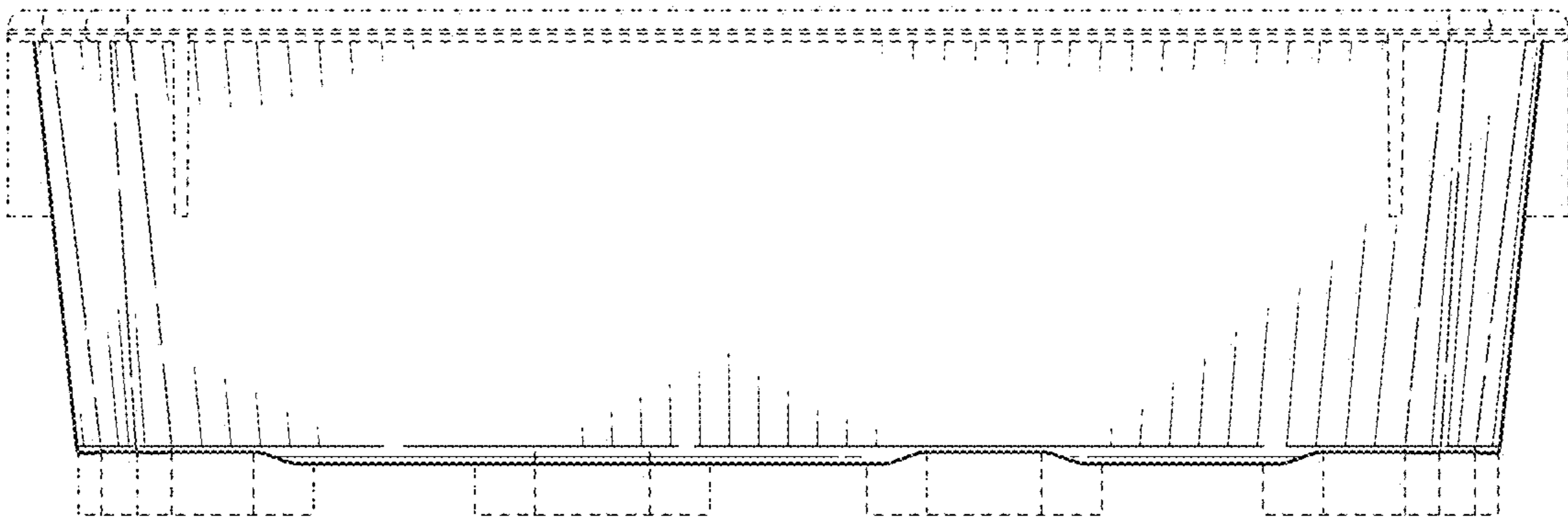


FIG. 10

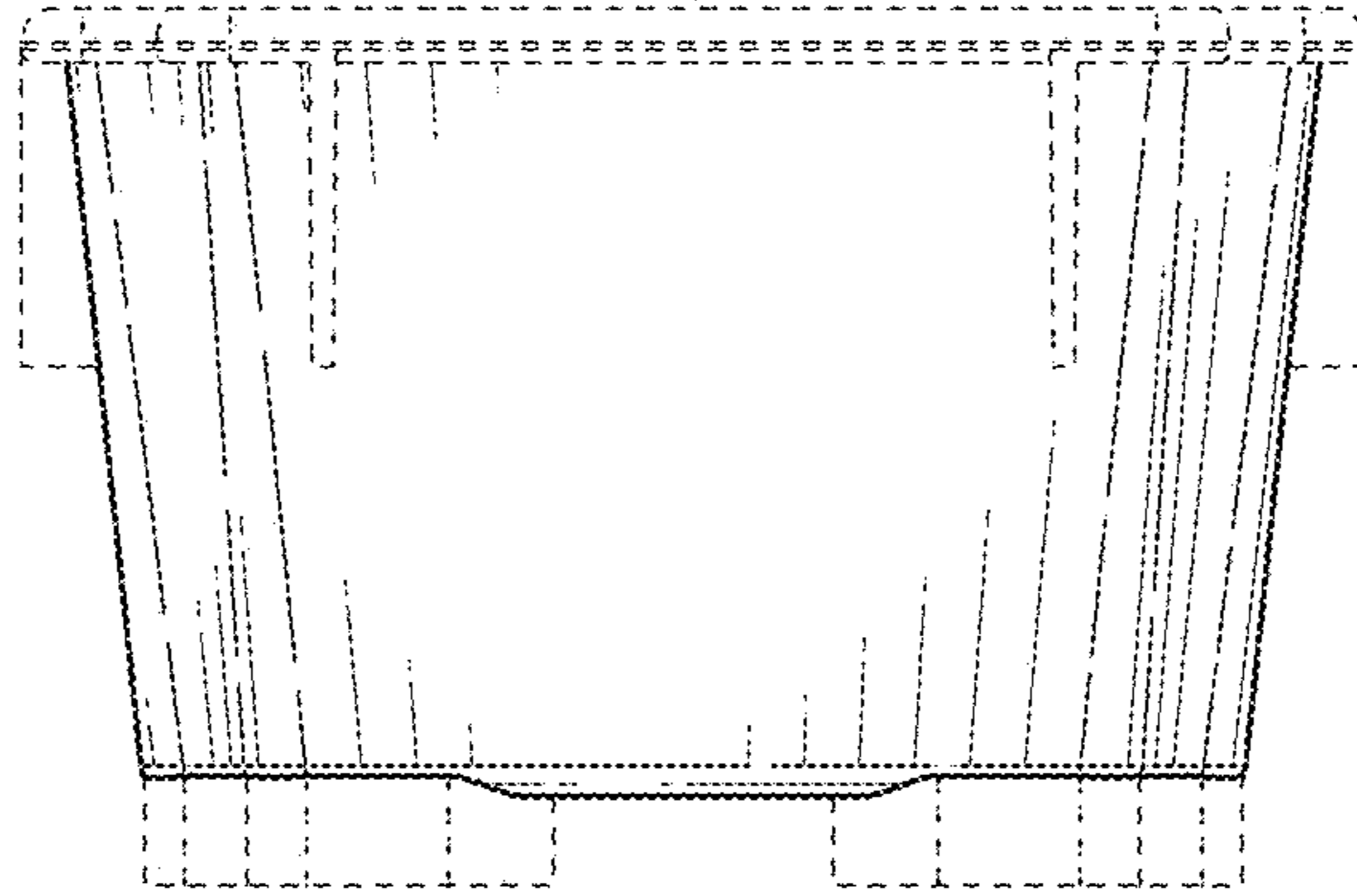


FIG. 11

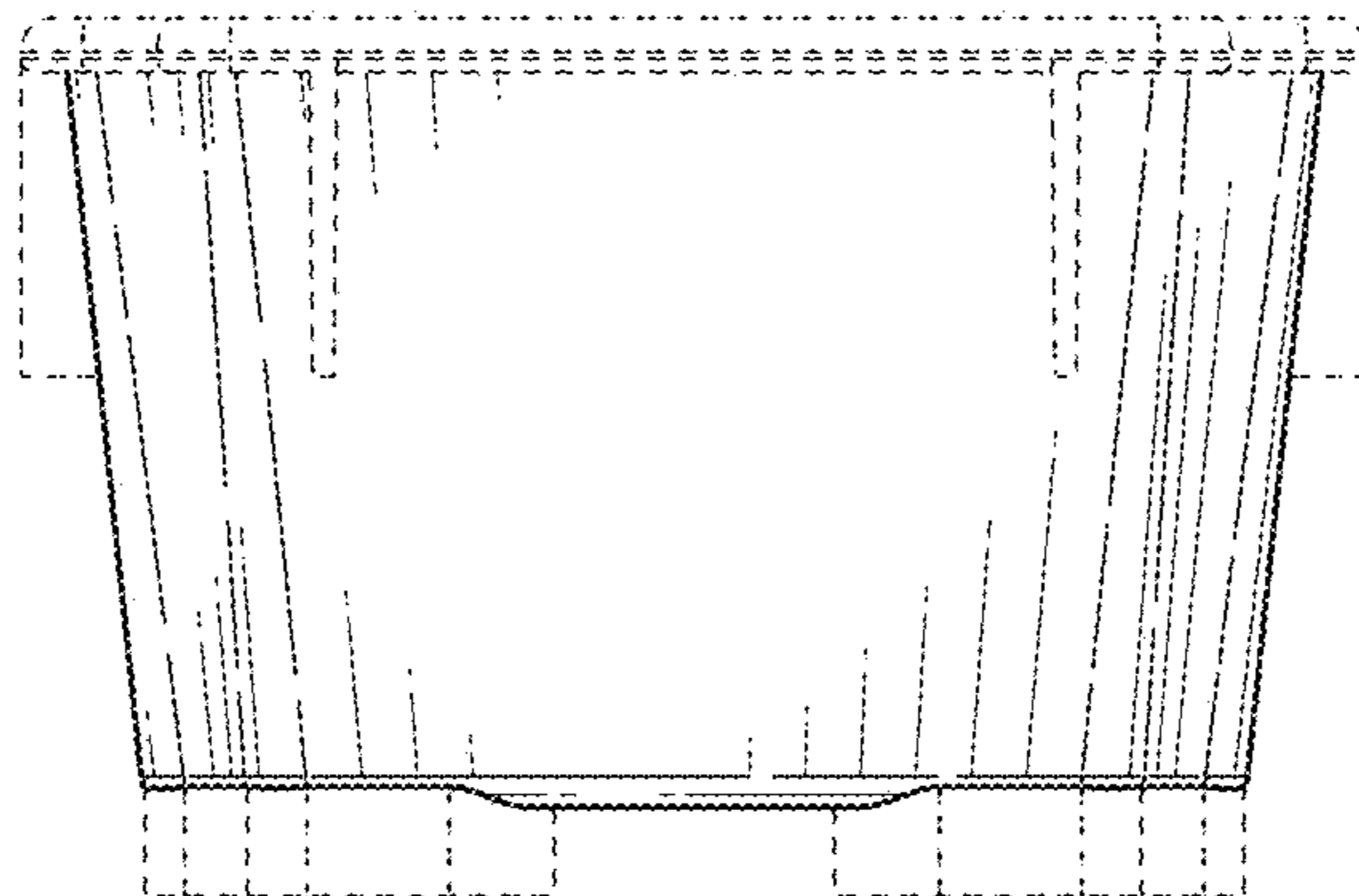


FIG. 12

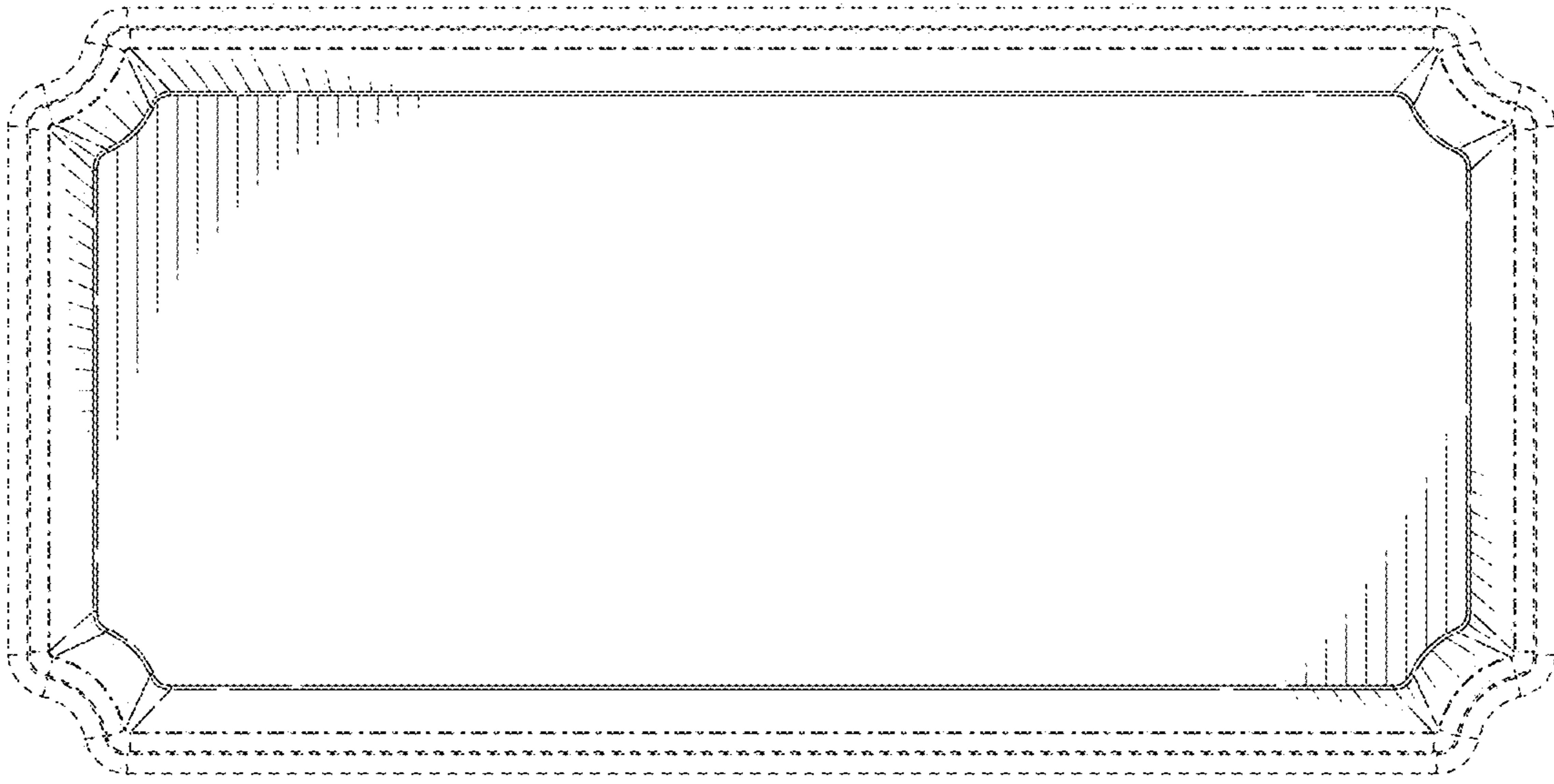


FIG. 13

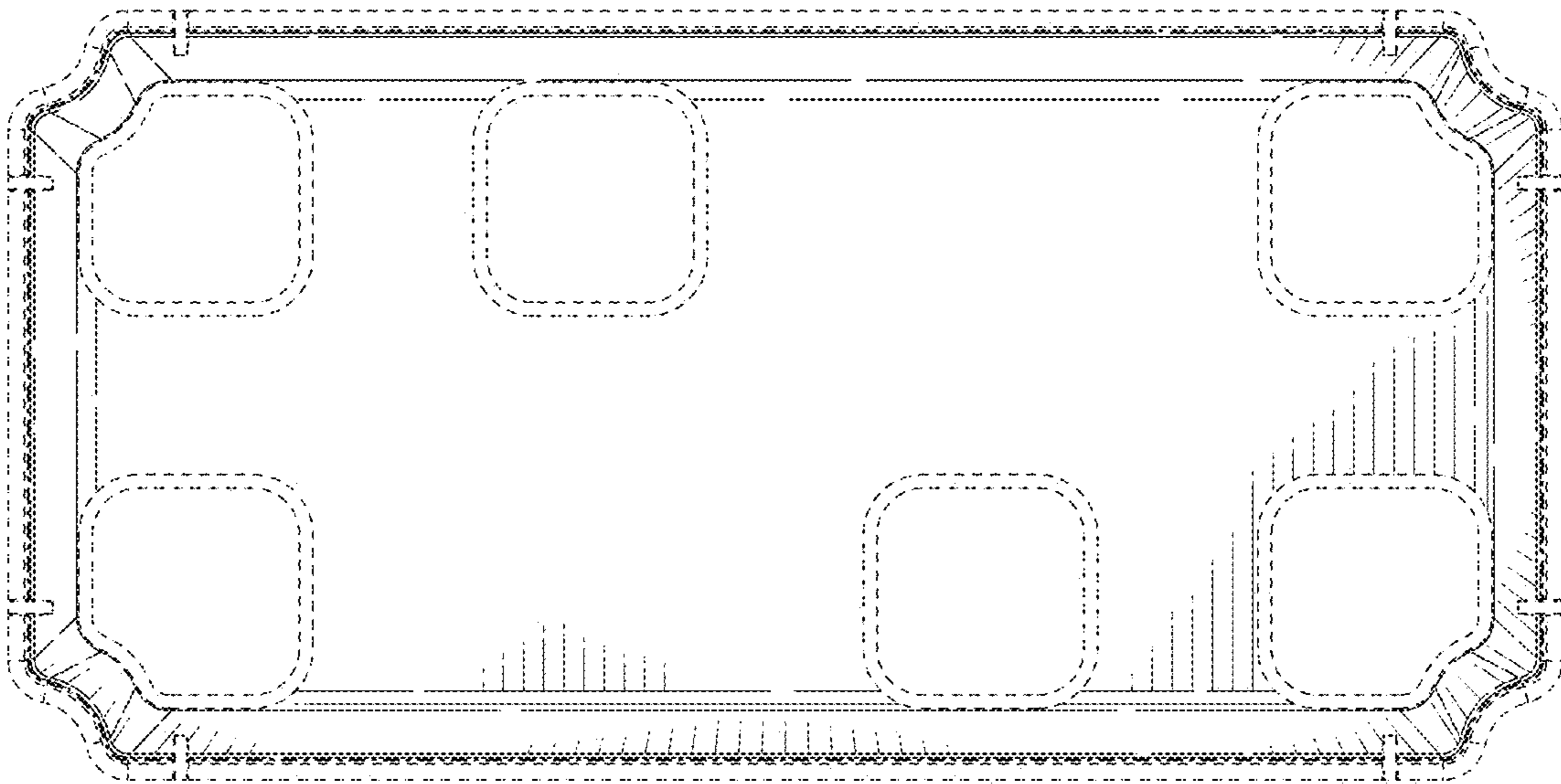


FIG. 14

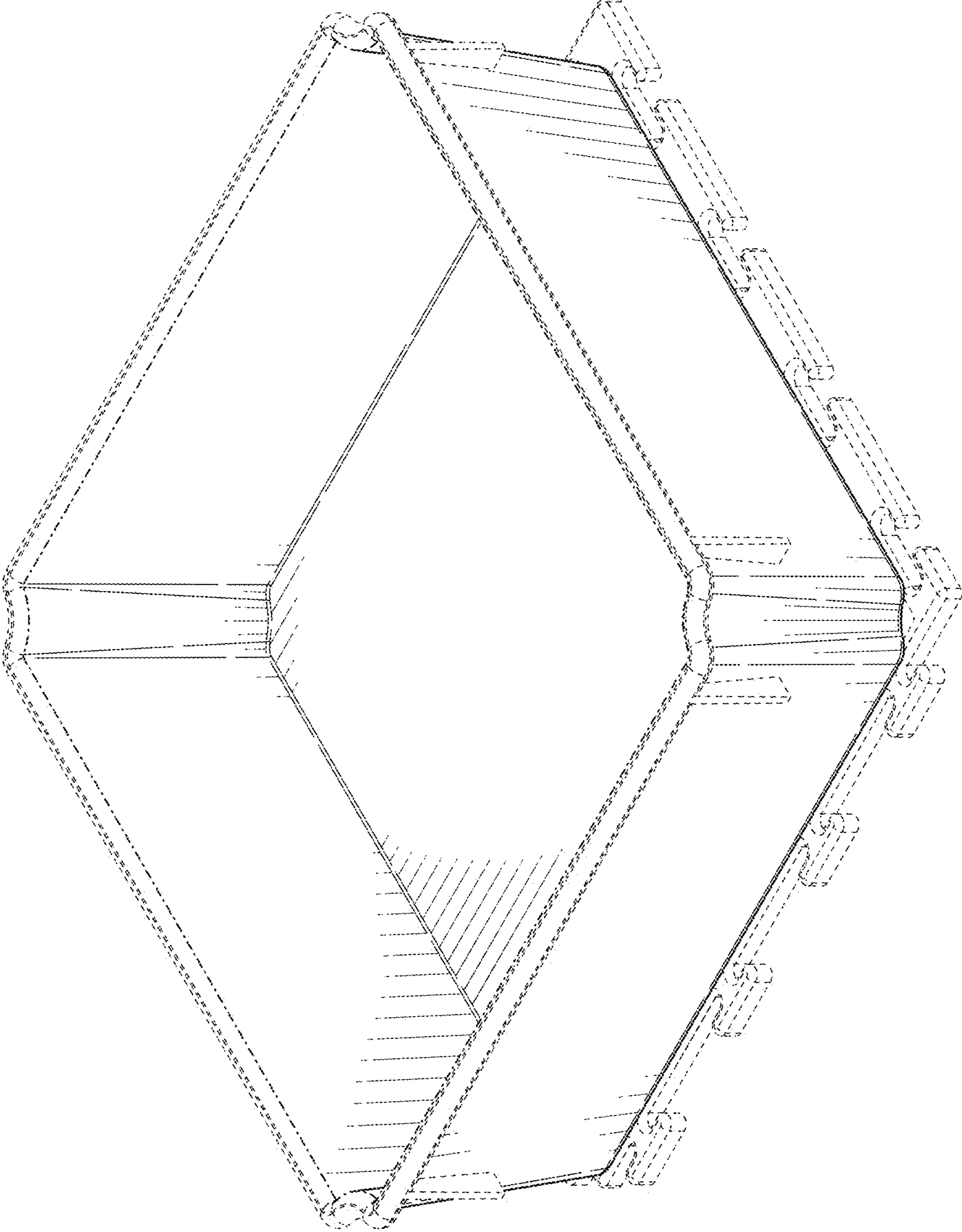


FIG. 15

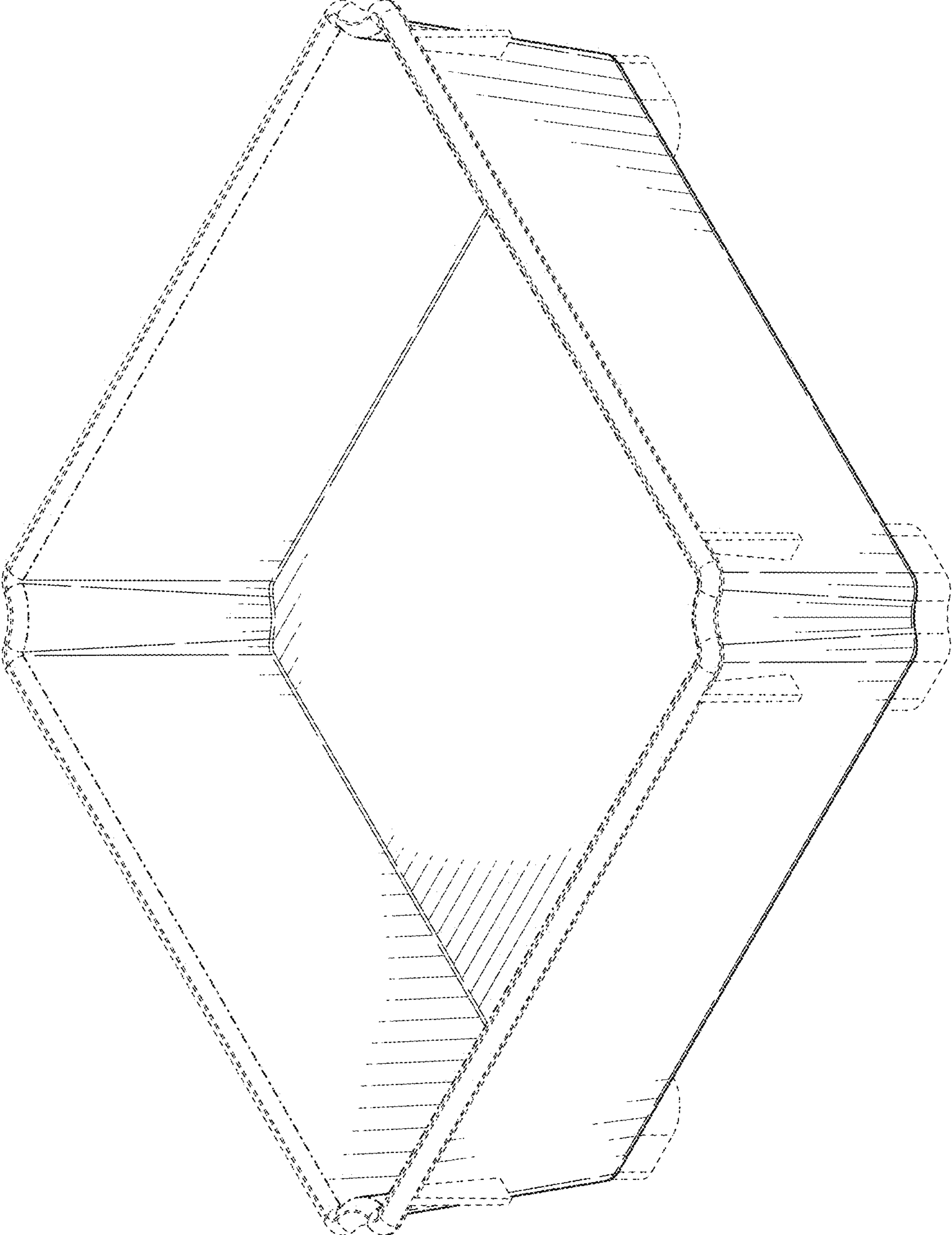


FIG. 16

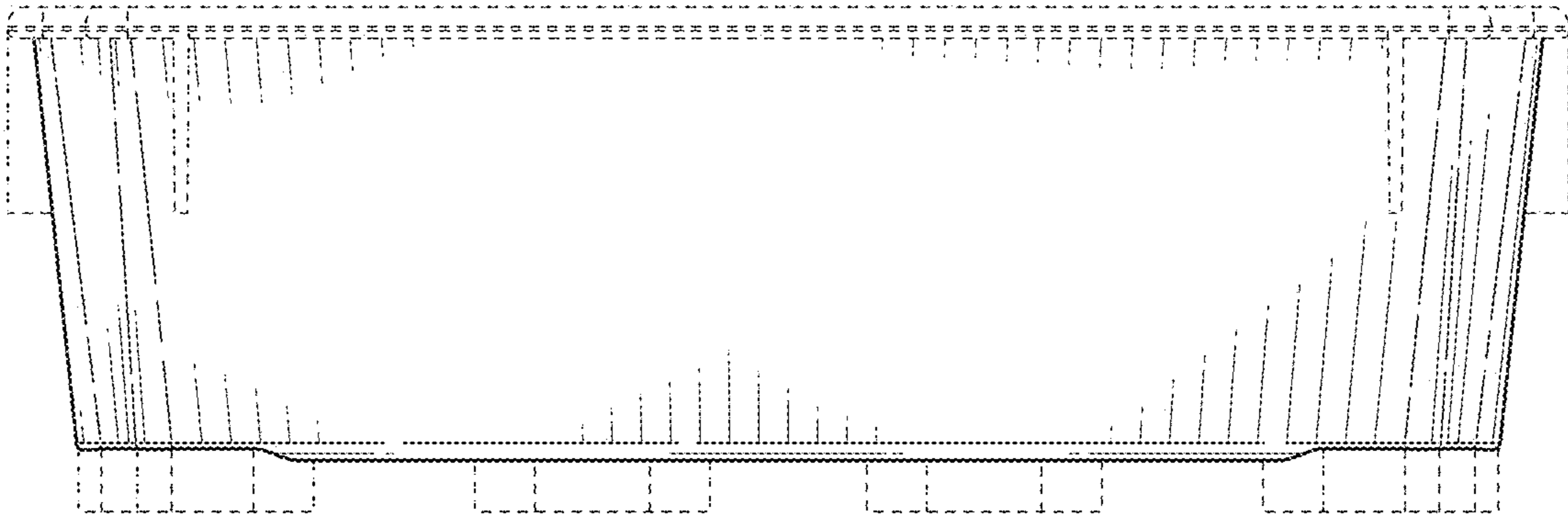


FIG. 17

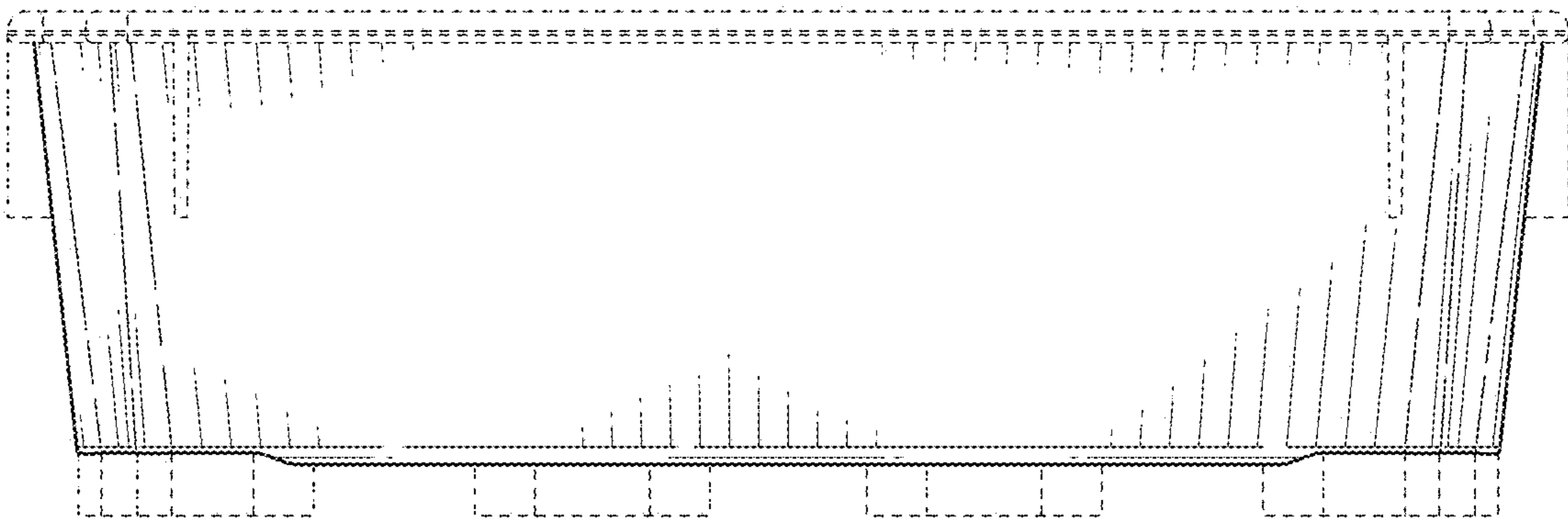


FIG. 18

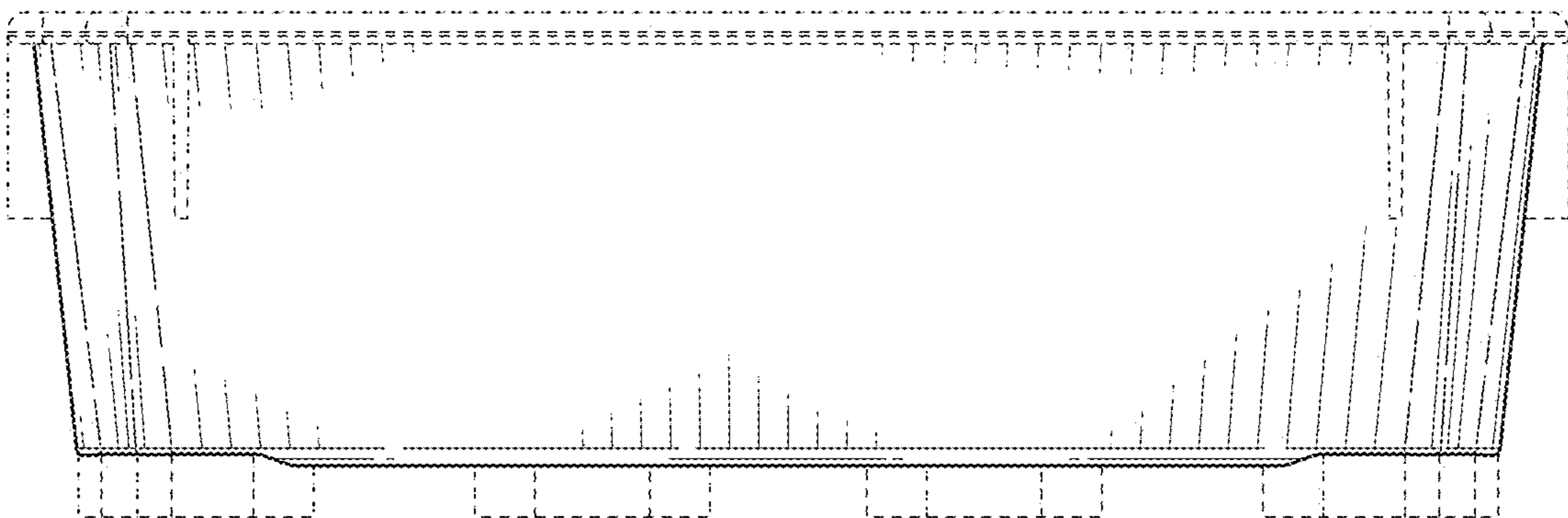


FIG. 19

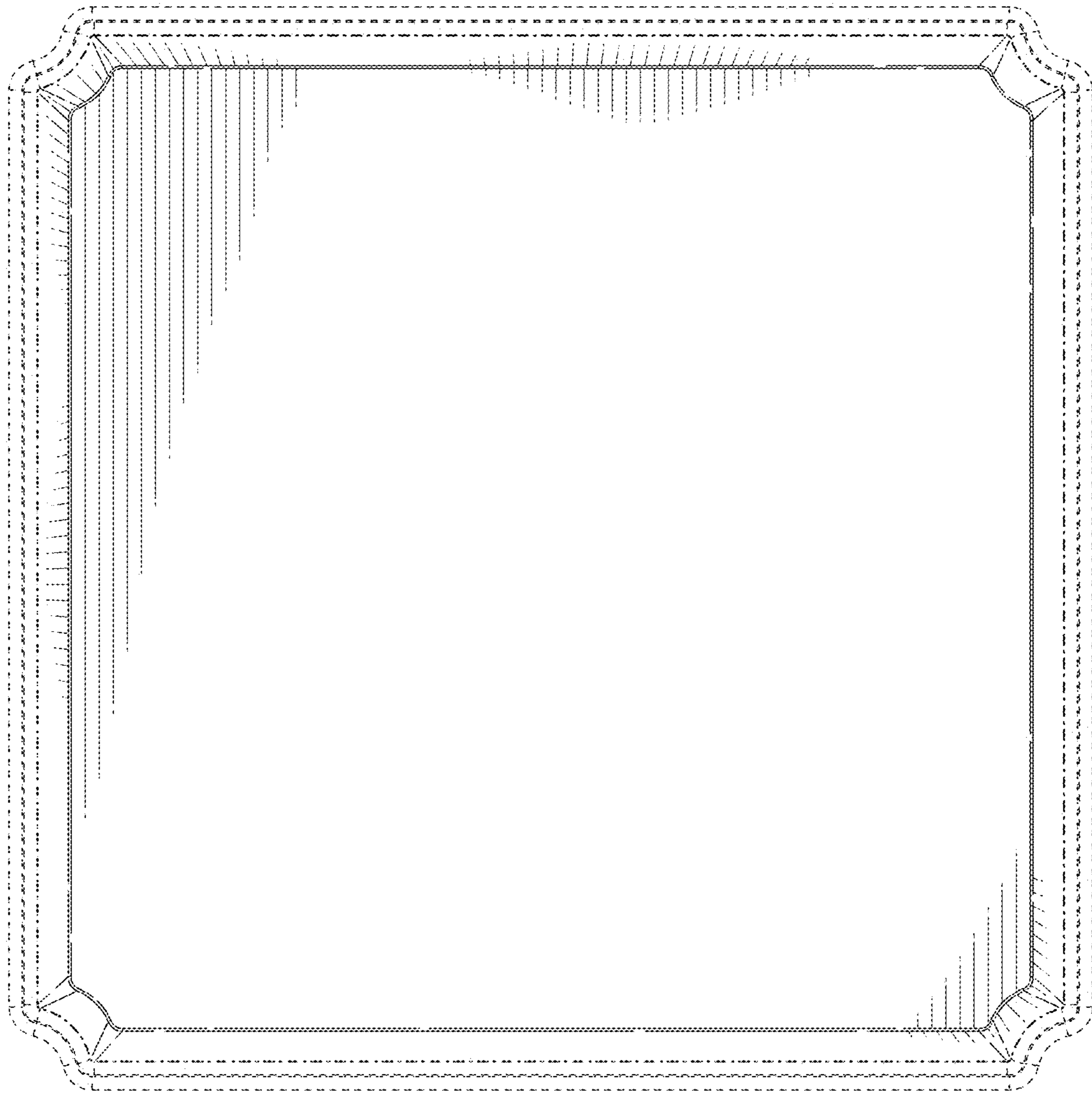


FIG. 20

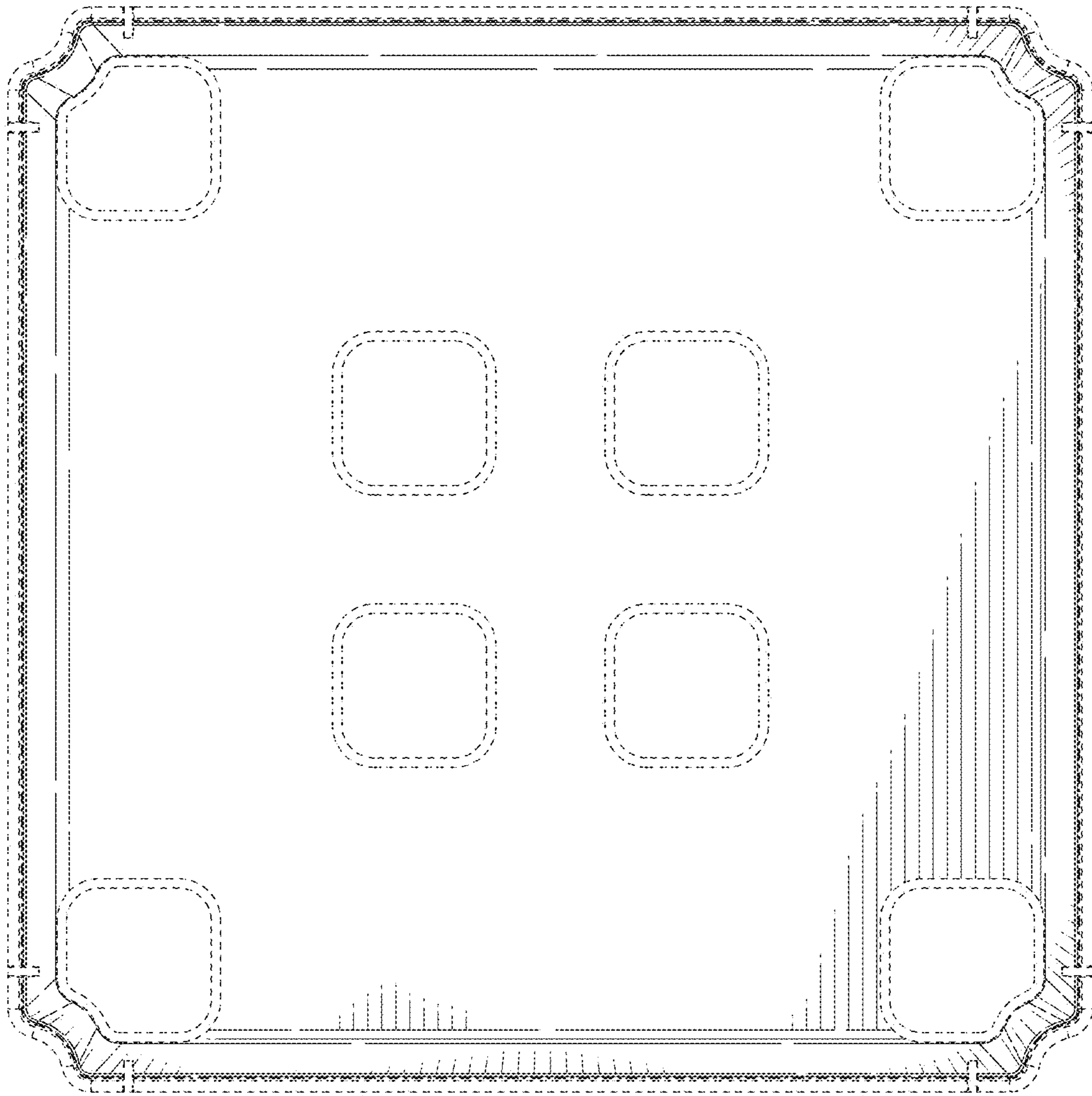


FIG. 21

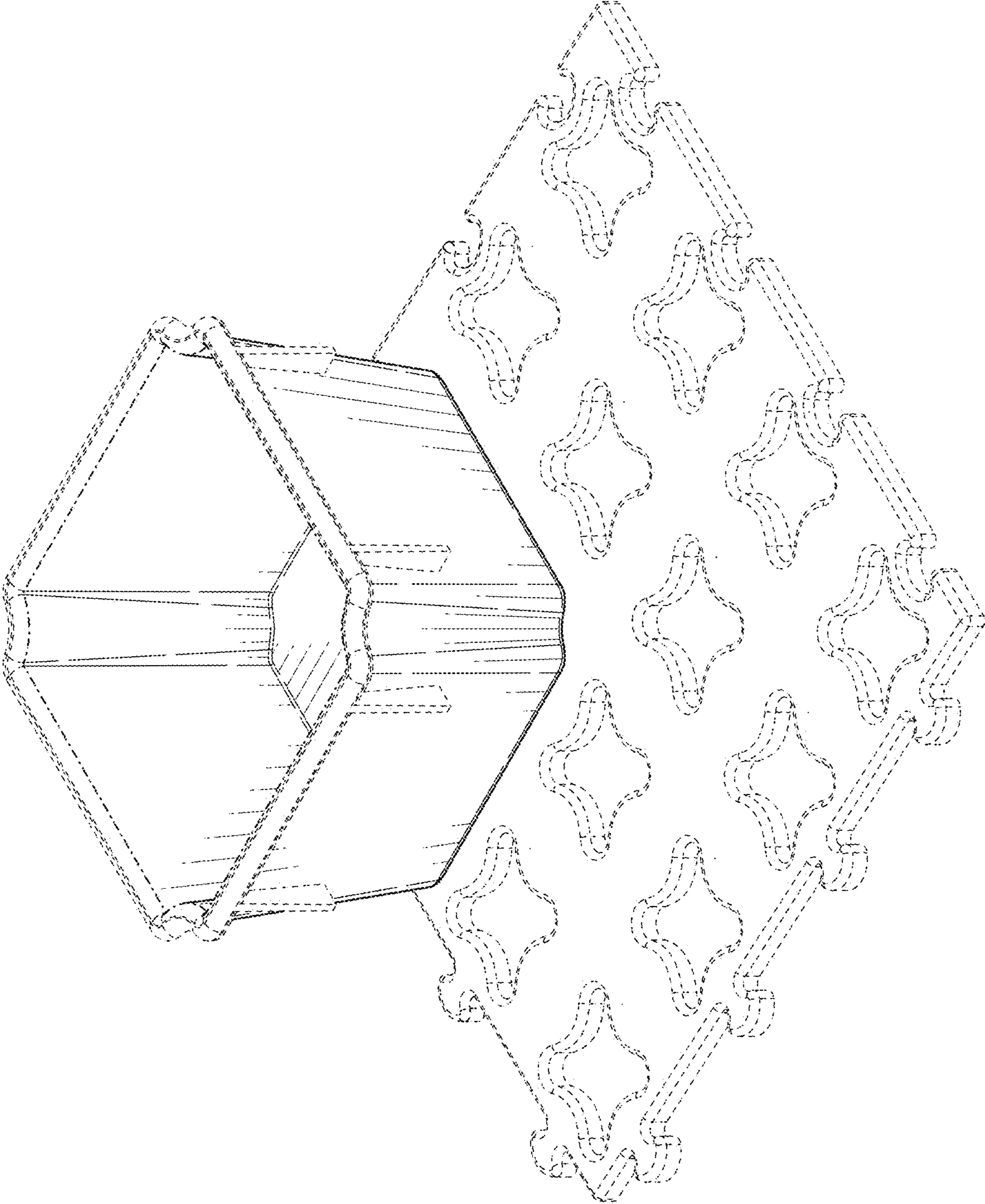


FIG. 22

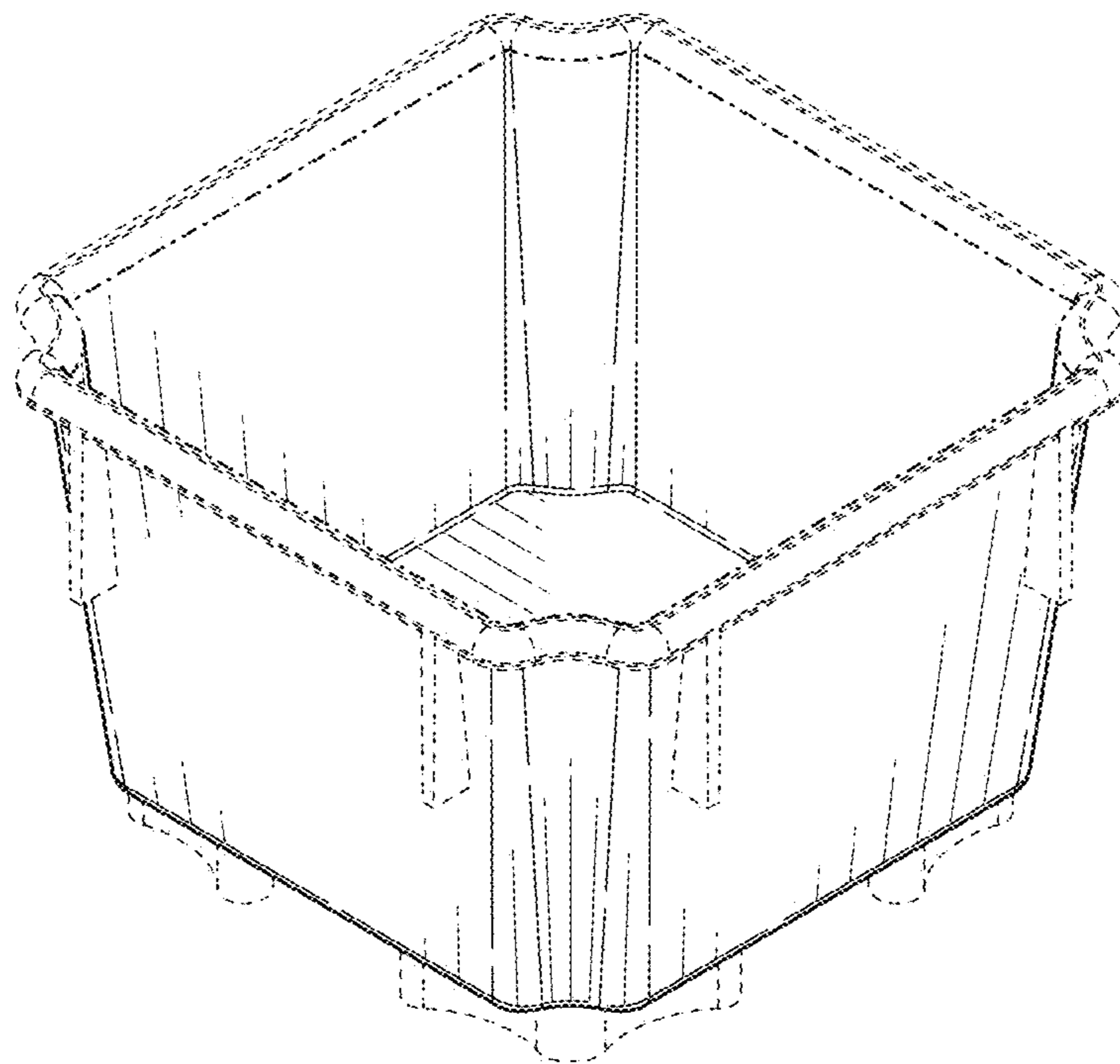


FIG. 23

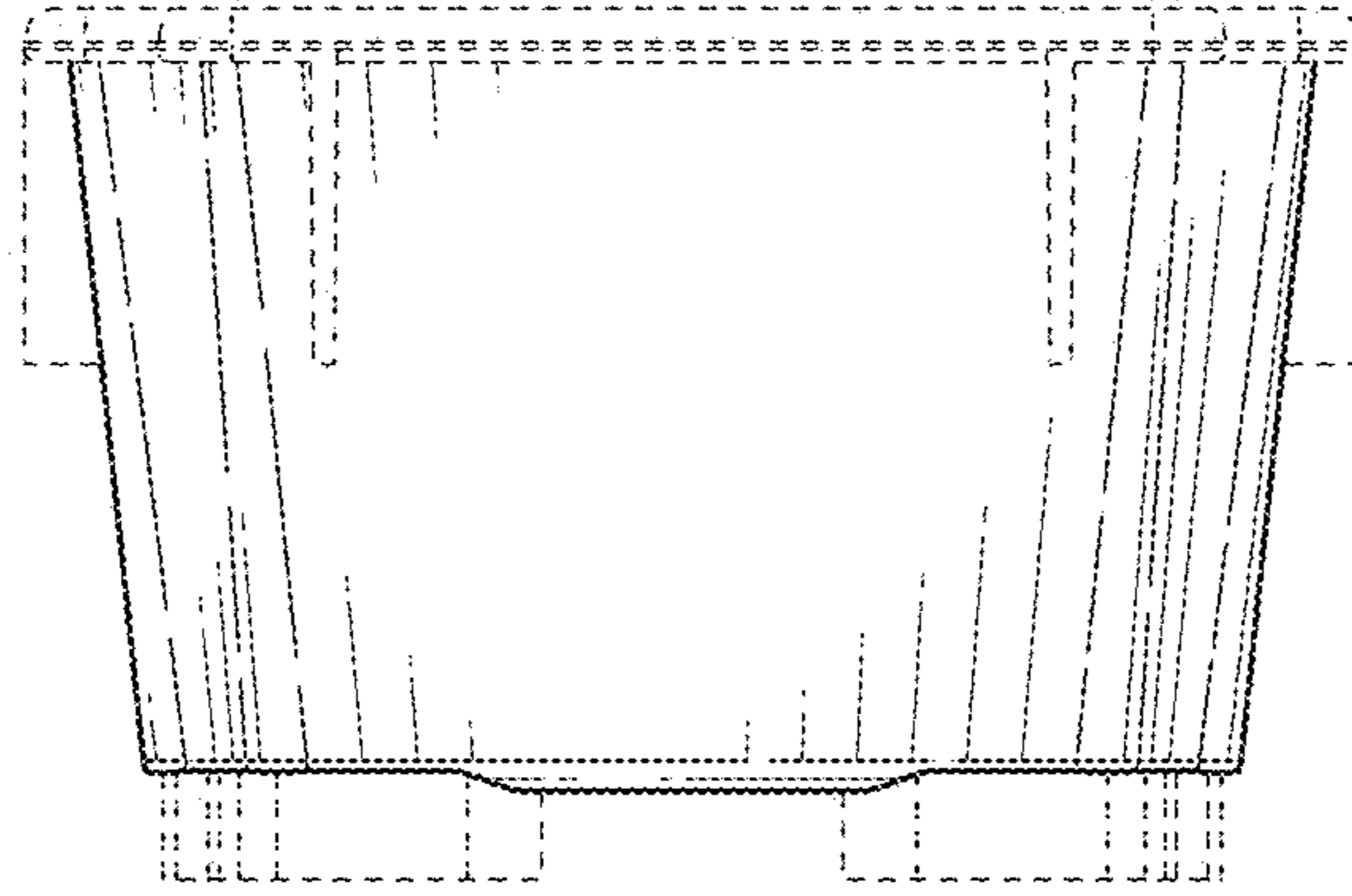


FIG. 24

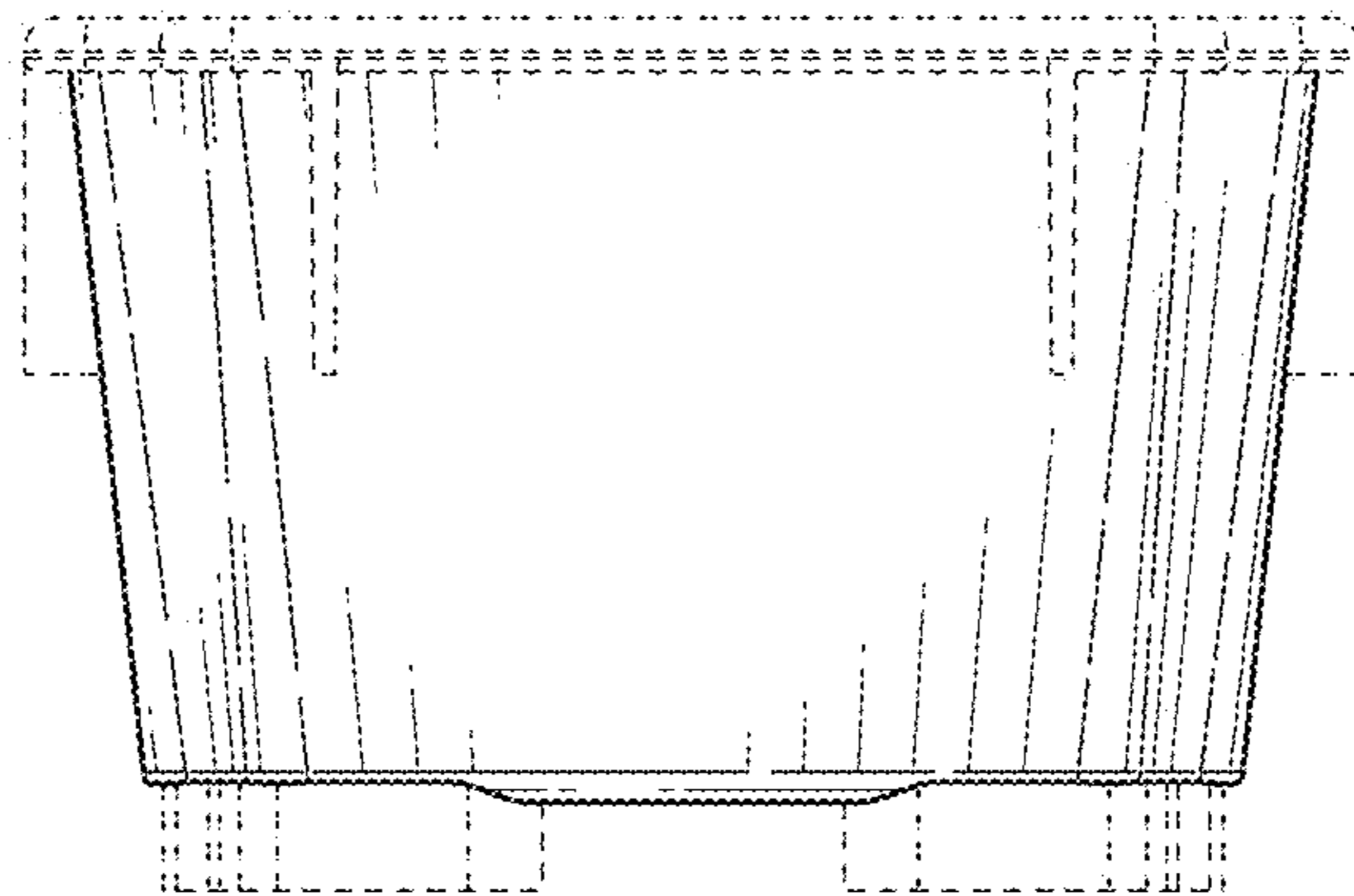


FIG. 25

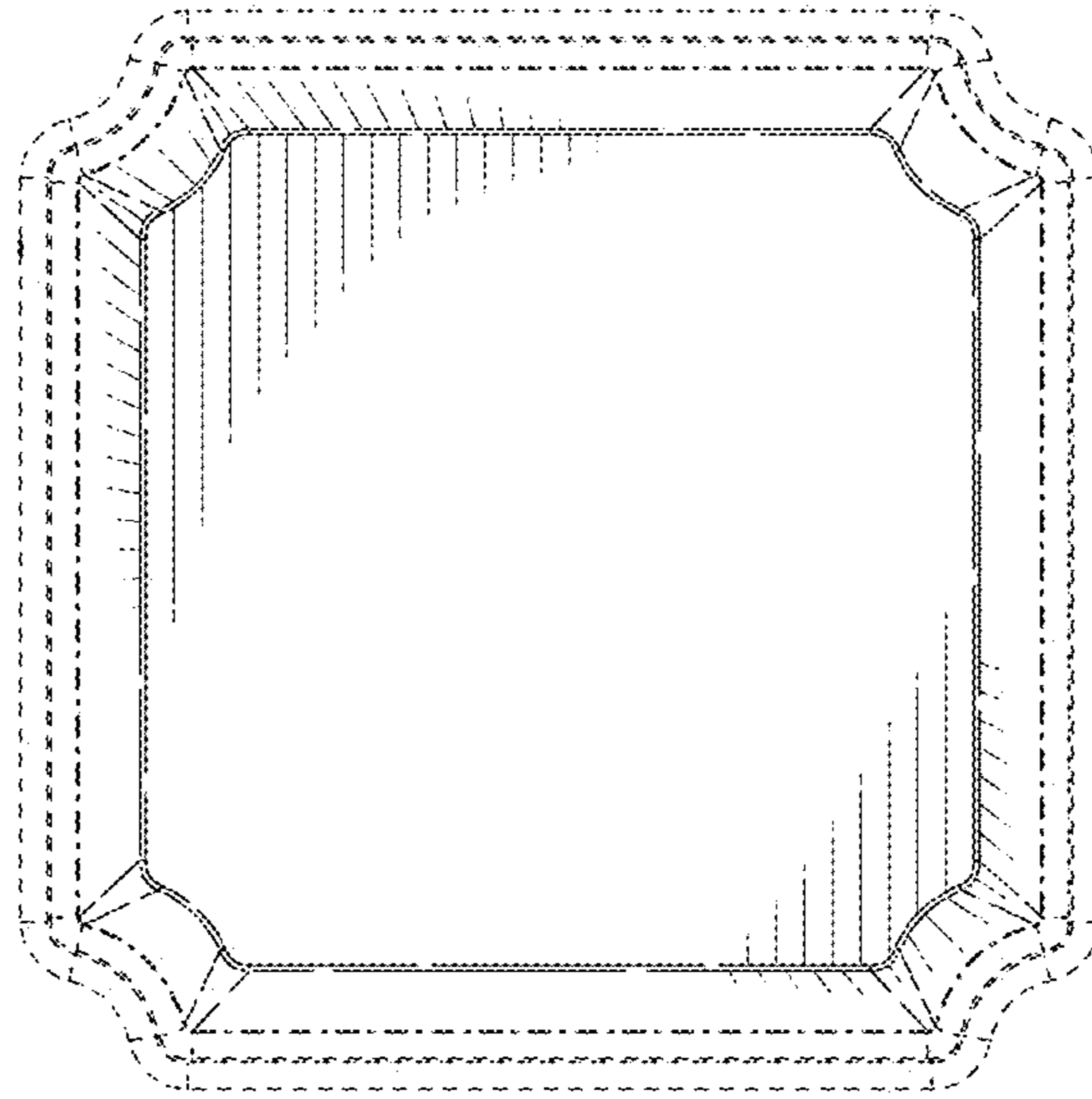


FIG. 26

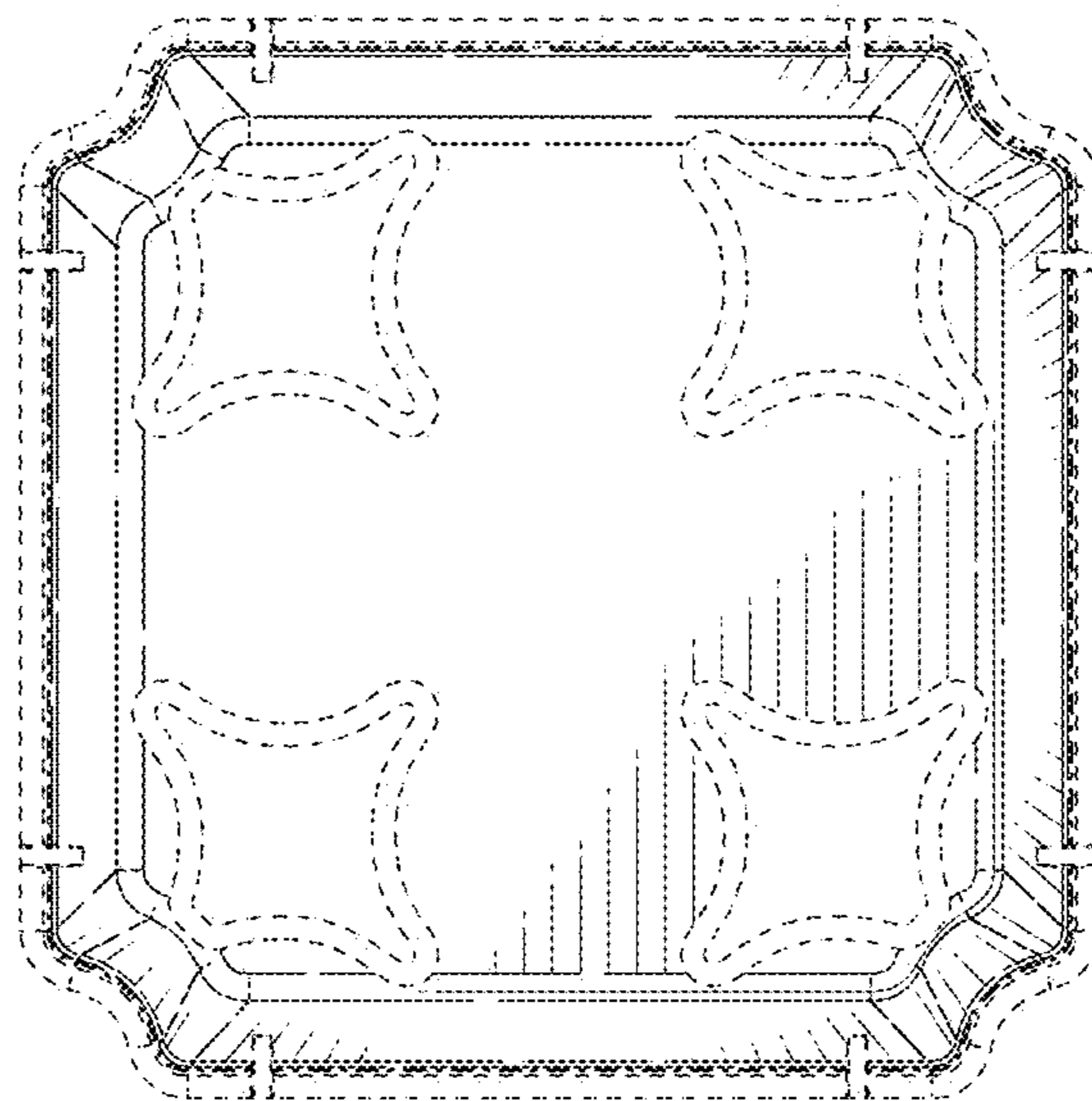


FIG. 27

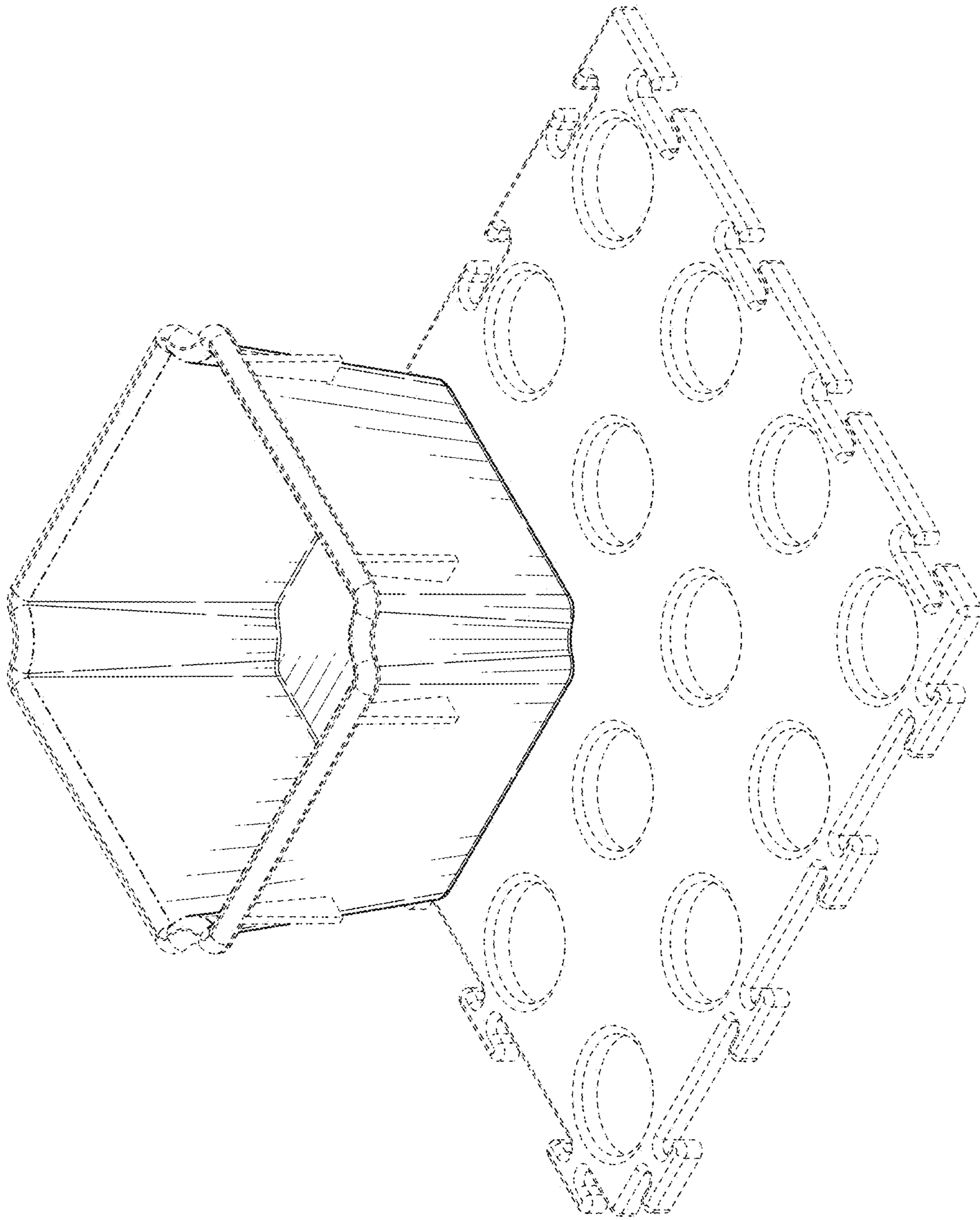


FIG. 28

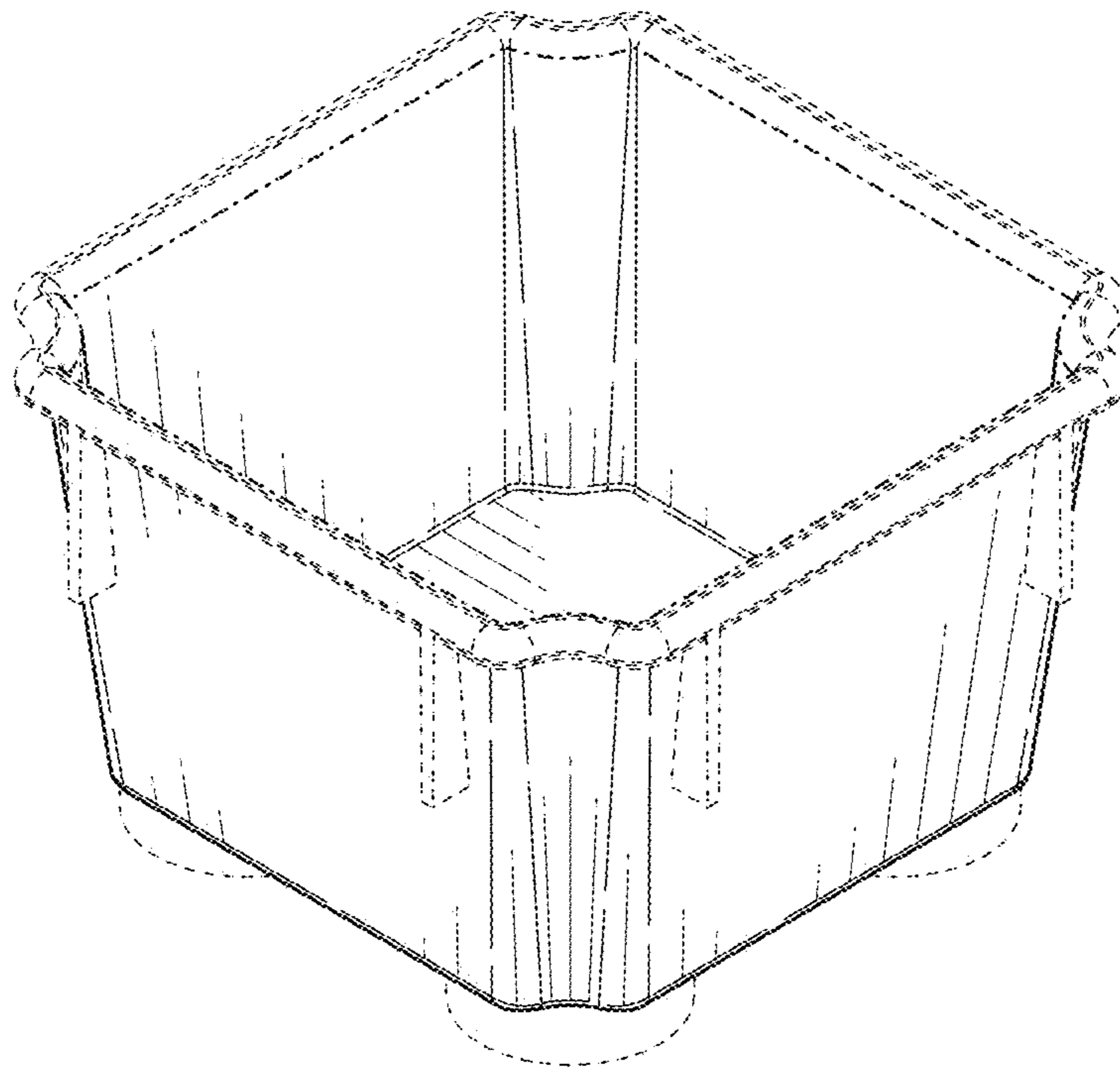


FIG. 29

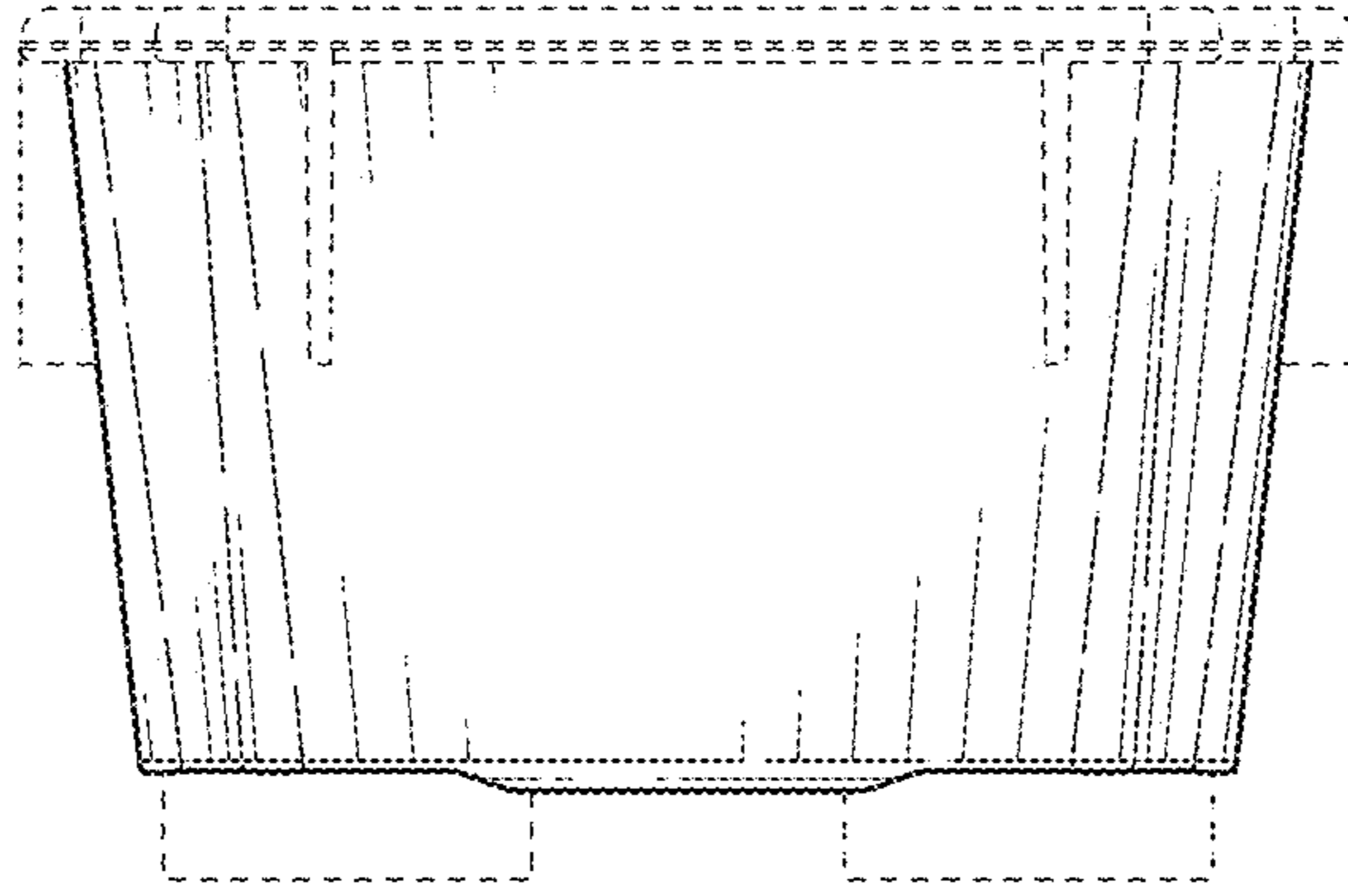


FIG. 30

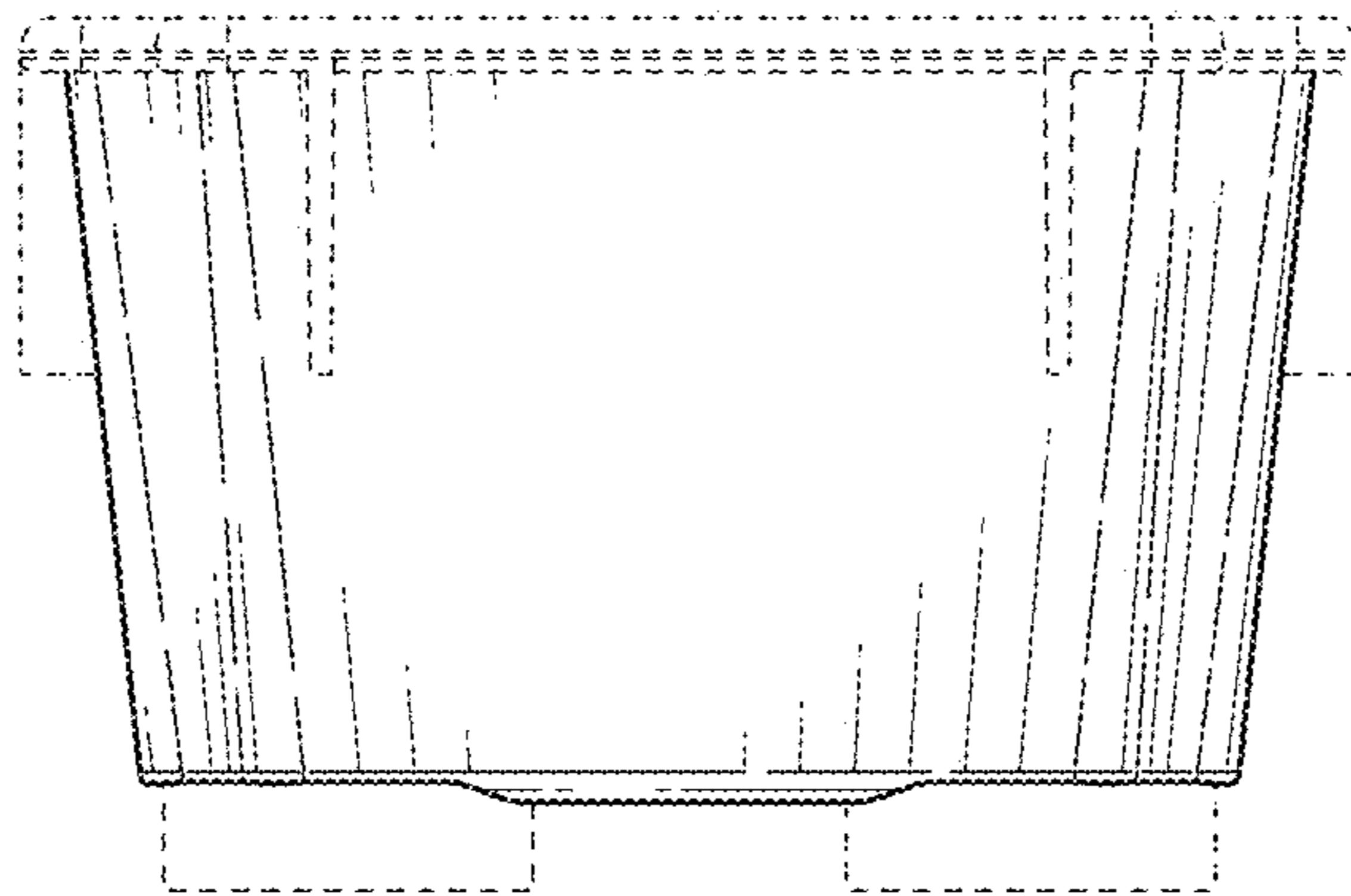


FIG. 31

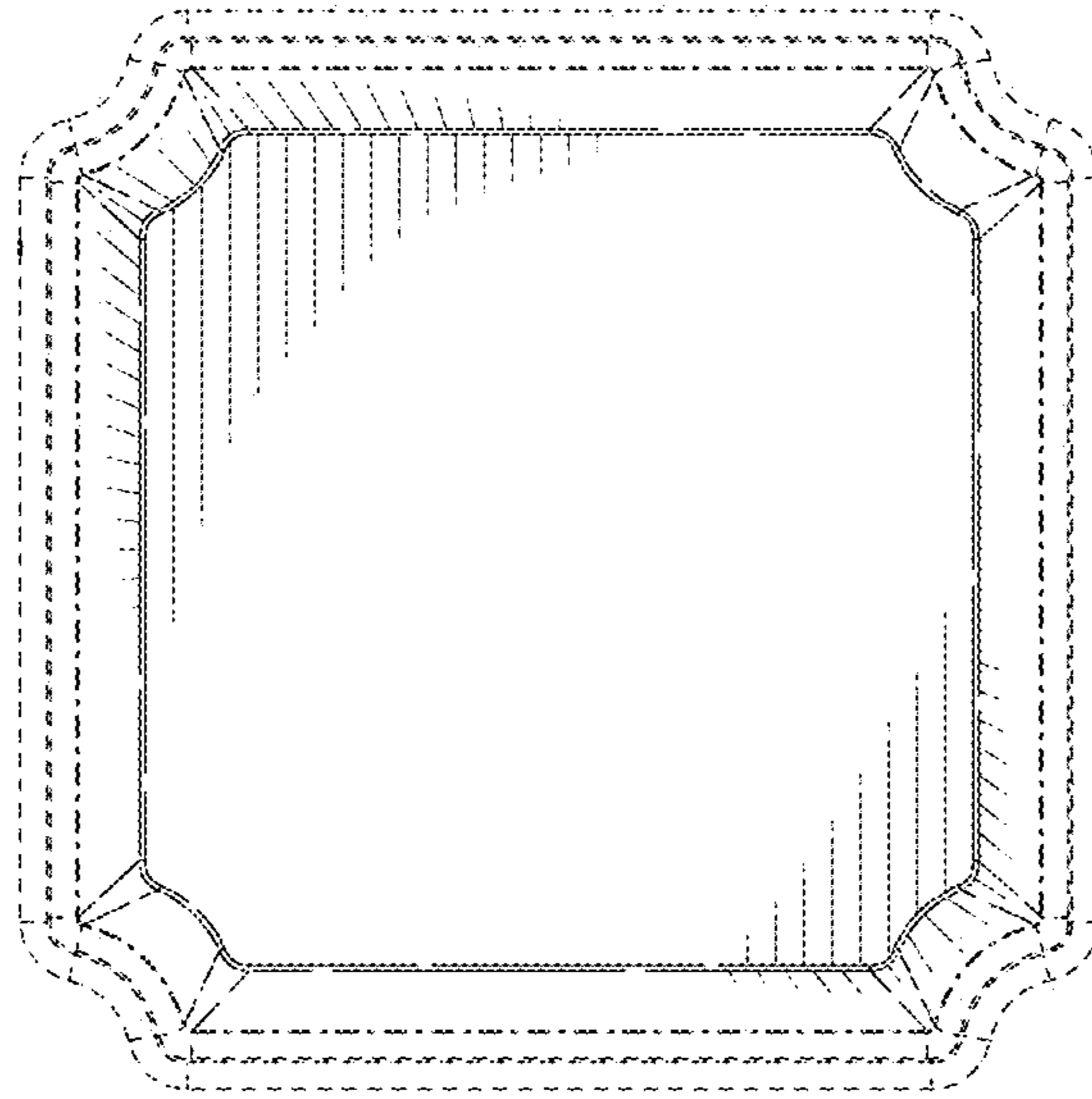


FIG. 32

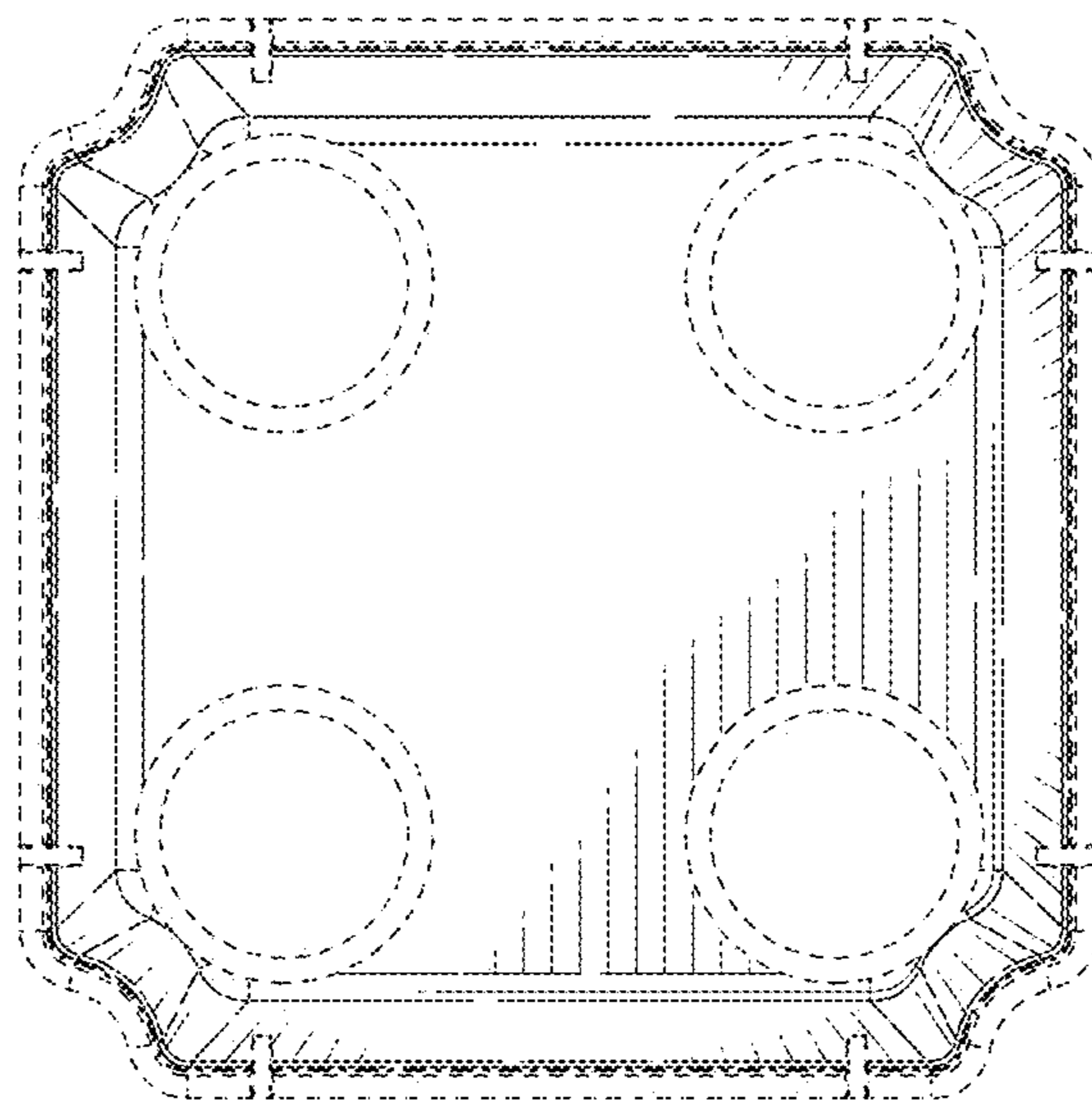


FIG. 33