



US00D896521S

(12) **United States Design Patent** (10) **Patent No.:** **US D896,521 S**
Clearman et al. (45) **Date of Patent:** **** Sep. 22, 2020**

(54) **SOAP BAR CONTAINER**
(71) Applicant: **Clearman Labs LLC**, Boulder, CO (US)
(72) Inventors: **Christopher Aaron Clearman**, Boulder, CO (US); **Jaime Lynn Caso**, Boulder, CO (US)
(73) Assignee: **Clearman Labs LLC**, Boulder, CO (US)
(**) Term: **15 Years**
(21) Appl. No.: **29/637,499**
(22) Filed: **Feb. 19, 2018**
(51) **LOC (12) Cl.** **03-01**
(52) **U.S. Cl.**
USPC **D3/303**
(58) **Field of Classification Search**
USPC D3/201, 202, 205-206, 218, 226, D3/232-234, 238, 239, 242, 244-252, D3/254, 261, 264, 269, 271, 271.4, 287, D3/293-304, 306, 315, 317, 321, 323, D3/900; D9/707-710
CPC A45C 11/008; A45C 11/24; A45C 13/103; A45C 2003/008
See application file for complete search history.

D686,089 S * 7/2013 Murray D9/710
D687,719 S * 8/2013 Last D9/709
D688,565 S * 8/2013 Bohmke D9/707
D693,568 S * 11/2013 McBath D3/205
D703,064 S * 4/2014 Warrington D9/707
D705,079 S 5/2014 Sanchez-Calatrava
D712,145 S * 9/2014 Olsson D3/303
D731,785 S * 6/2015 Koester D3/218
(Continued)

OTHER PUBLICATIONS

FlatPak™ Soap Bar Case, posted at matadorup.com, no posting date, online, URL:https://matadorup.com/collections/matador-products/products/flatpak-soap-bar-case?variant=12135840874609 (Year: 2019).*
(Continued)

Primary Examiner — Lilyana Bekic
Assistant Examiner — Mary Shannon Malley
(74) *Attorney, Agent, or Firm* — Wilson Patent Law, LLC

(57) **CLAIM**

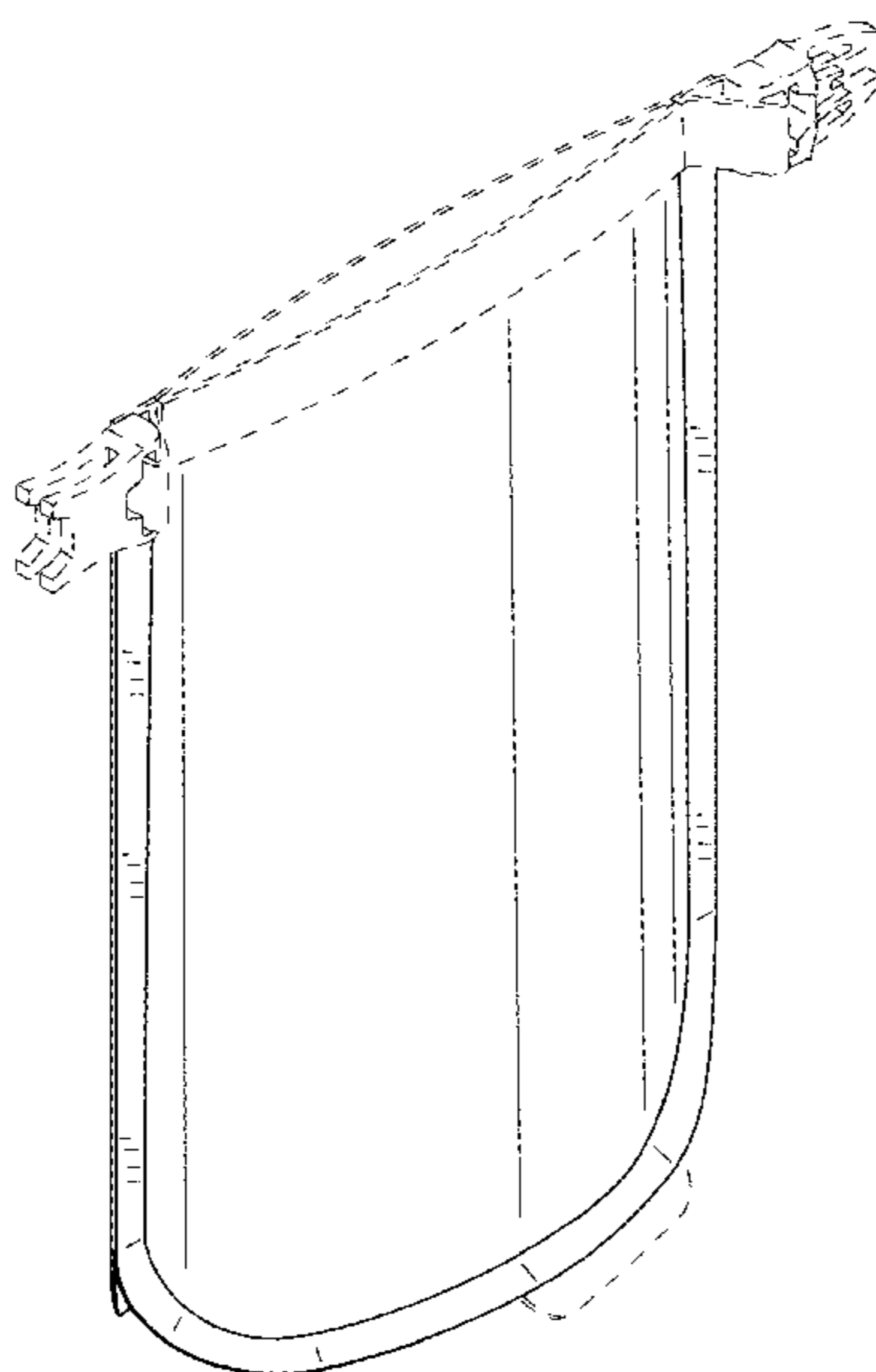
The ornamental design for a soap bar container, substantially as shown and described.

DESCRIPTION

FIG. 1 is a front perspective view of a soap bar container in accordance with our new design;
FIG. 2 is a front view thereof;
FIG. 3 is a back view thereof;
FIG. 4 is a right side view thereof;
FIG. 5 is a left side view thereof;
FIG. 6 is a top view thereof; and,
FIG. 7 is a bottom view thereof.
The broken lines defined by a dash dash sequence depict portions of the soap bar container that form no part of the claimed design. The broken lines defined by a dash dot sequence depict boundaries that form no part of the claimed design.

1 Claim, 6 Drawing Sheets

(56) **References Cited**
U.S. PATENT DOCUMENTS
D399,731 S * 10/1998 Petzold D9/708
D407,209 S * 3/1999 Brown D3/202
D495,874 S * 9/2004 Kamiya D3/218
D537,248 S * 2/2007 Schlegel D3/299
D551,567 S * 9/2007 Berman D9/708
D583,255 S * 12/2008 Castor D9/708
D627,965 S * 11/2010 Berck D3/247
D631,650 S * 2/2011 Li D3/218
D642,792 S * 8/2011 Tremblay D3/218
D676,335 S * 2/2013 Murray D9/707



(56)

References Cited

U.S. PATENT DOCUMENTS

D766,734 S 9/2016 Fitzsimmons
D772,723 S * 11/2016 Murray D9/707
D777,043 S 1/2017 Temple
D799,982 S * 10/2017 Wells D9/707
D809,401 S 2/2018 Wiesman
D820,686 S 6/2018 Francis
D828,688 S * 9/2018 Hogard D3/226
D830,688 S * 10/2018 Casilio D3/226
D848,277 S * 5/2019 Murray D9/708
D852,646 S 7/2019 Weisman
D860,804 S * 9/2019 Yip D9/643
D867,161 S 11/2019 Clearman
D870,565 S * 12/2019 Sjudahl D9/707
D873,152 S * 1/2020 Guerizec D9/708
D875,547 S * 2/2020 Murray D9/707
2018/0229914 A1 * 8/2018 Bahrami A45C 13/103
2019/0274404 A1 * 9/2019 Riley A45C 13/02

OTHER PUBLICATIONS

Platypus SoftBottle, Cascade Designs, Inc., available at <https://www.platy.com/softbottle>, last visited Jul. 30, 2019.

Foodii Pouches, Kiinde LLC, available at <https://kiinde.com/product/foodii-pouches/>, last visited Jul. 30, 2019.

* cited by examiner

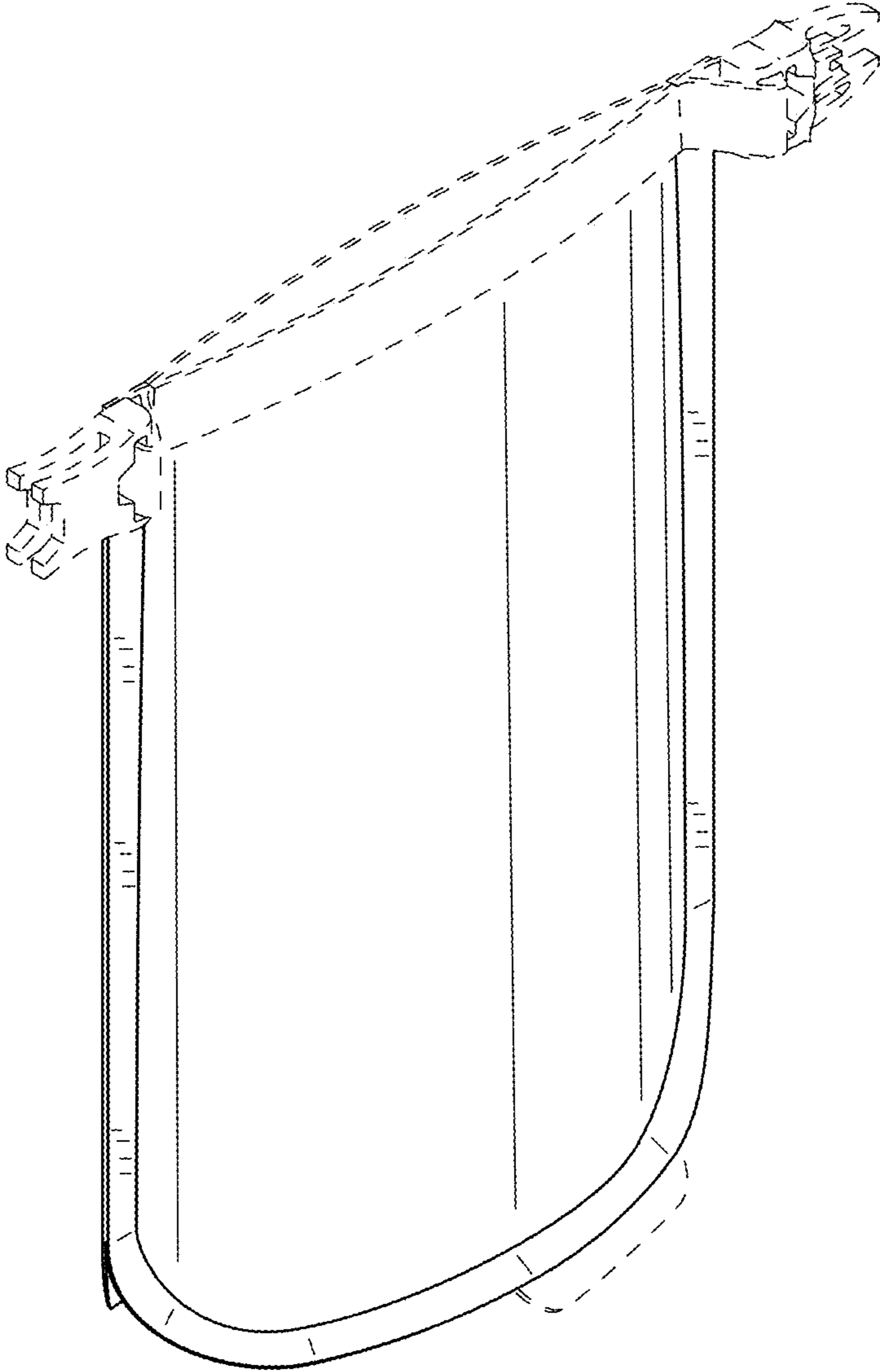


FIG.1

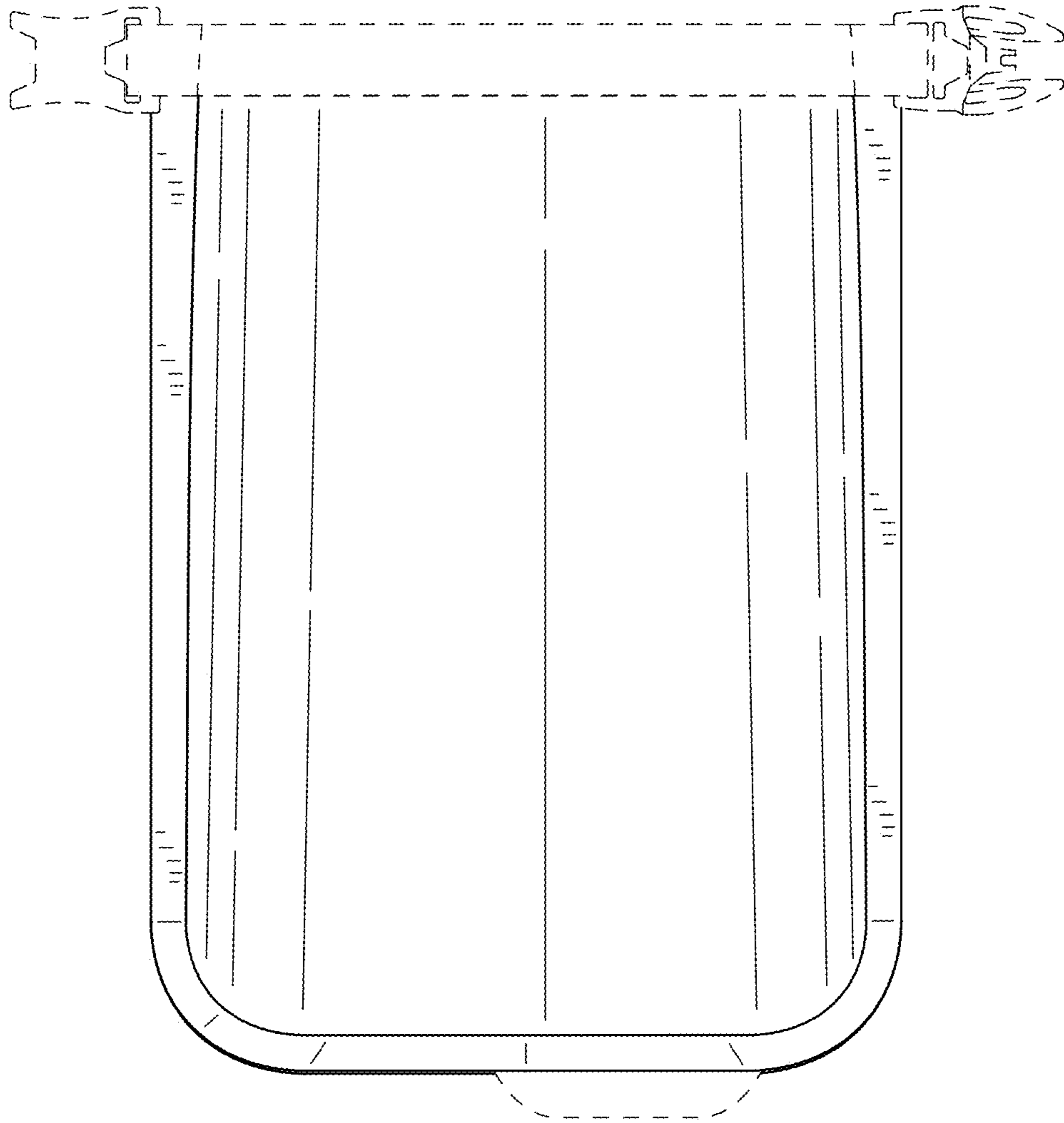


FIG.2

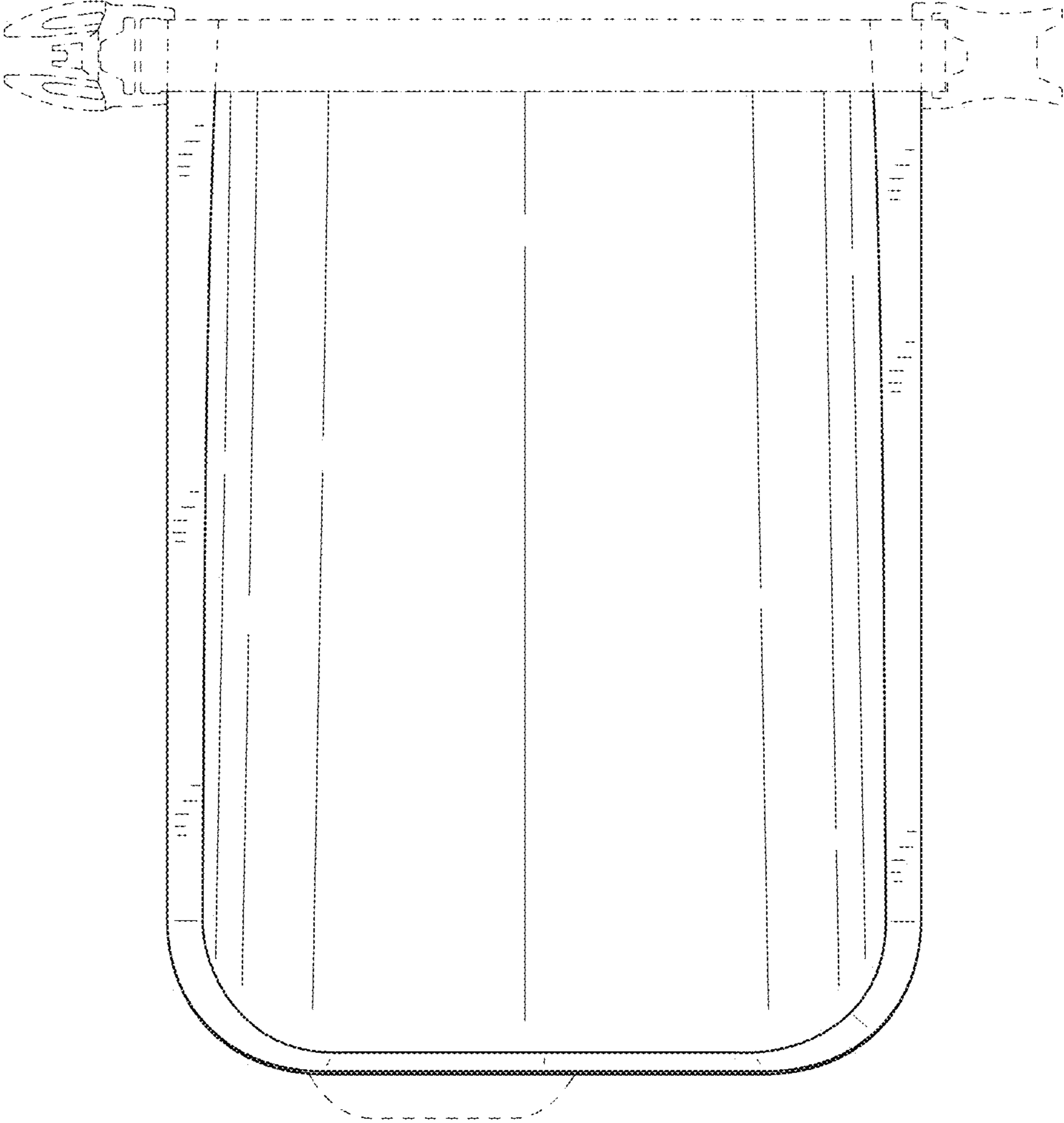


FIG. 3

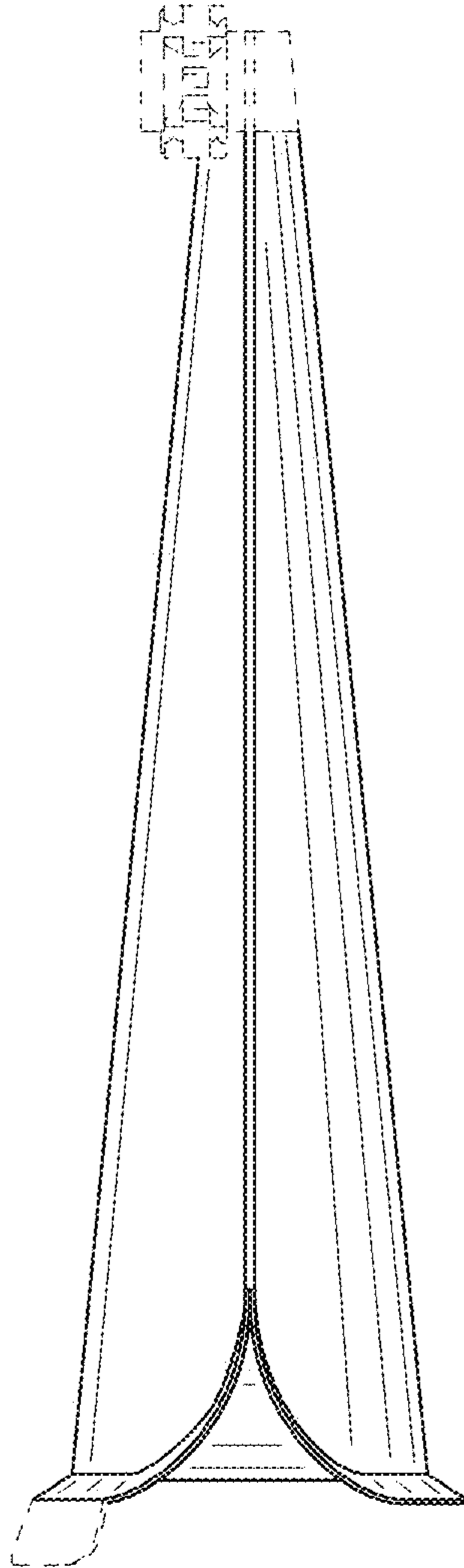


FIG. 4

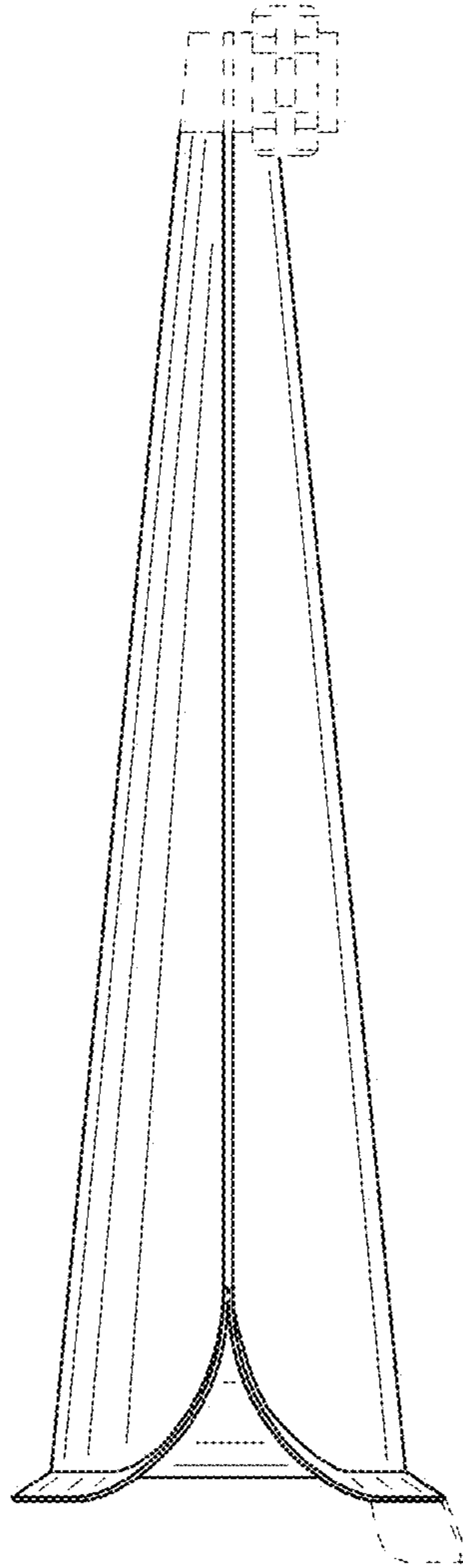


FIG. 5

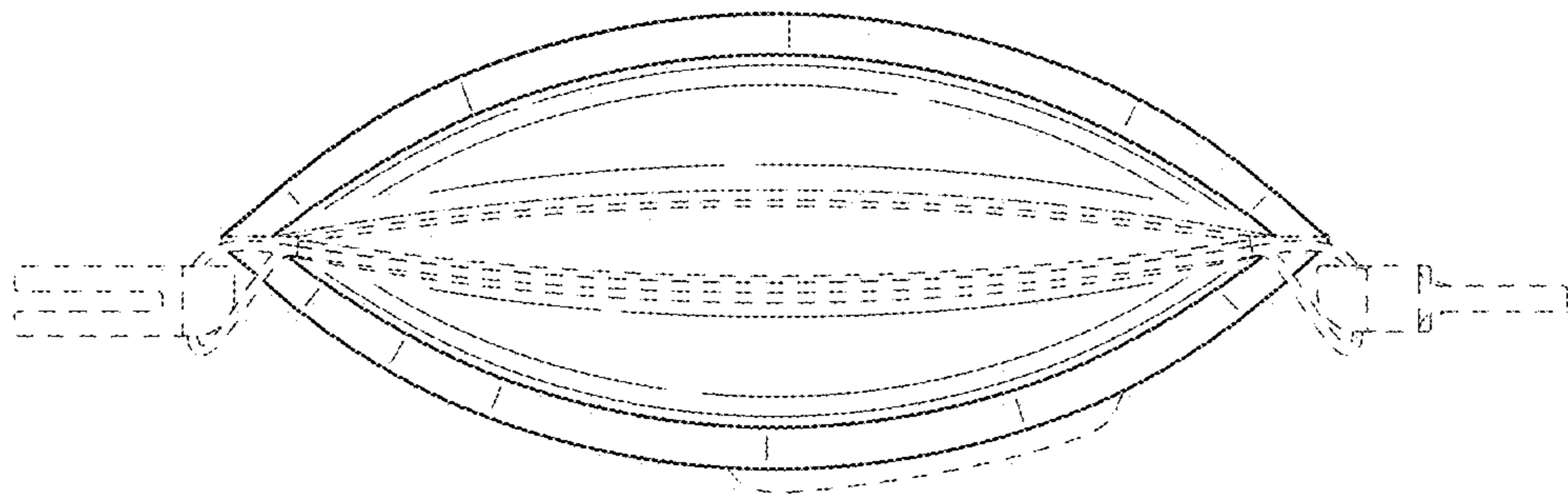


FIG. 6

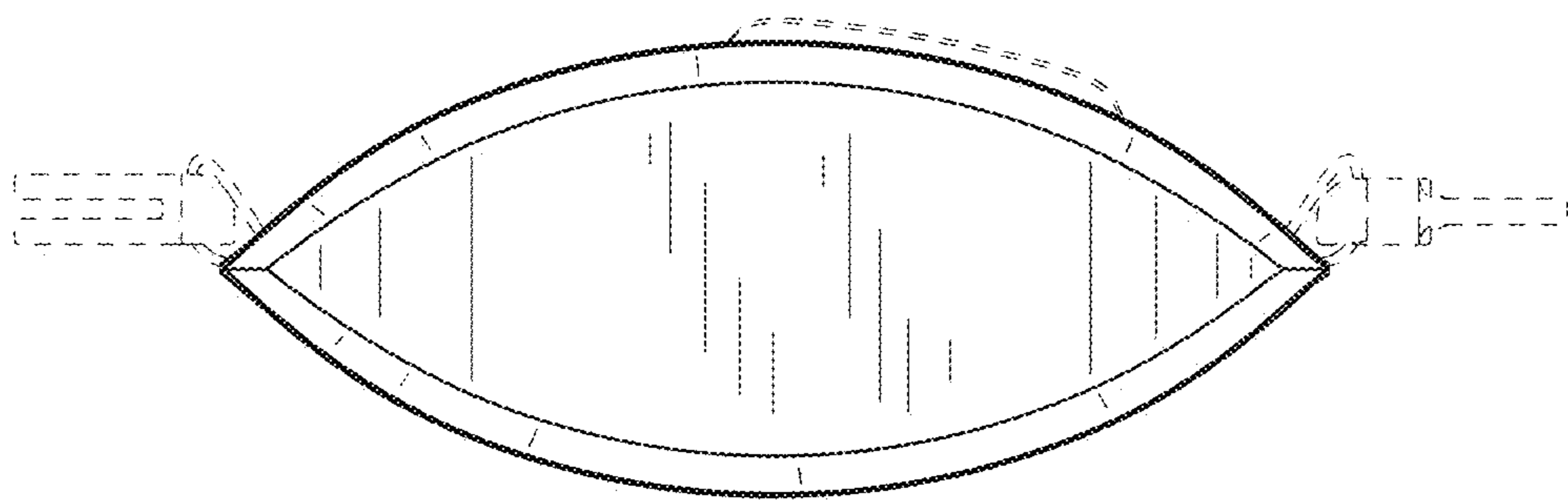


FIG. 7