



US00D896520S

(12) **United States Design Patent** (10) **Patent No.:** **US D896,520 S**
Spiegel et al. (45) **Date of Patent:** **** *Sep. 22, 2020**

(54) **CASE FOR ENCAPSULATING A ROLL OF COINS**

(71) Applicant: **Numismatic Guaranty Corporation (NGC)**, Sarasota, FL (US)

(72) Inventors: **Max Spiegel**, Sarasota, FL (US);
Joseph R Yanarella, Wellington, FL (US); **Stephen Lam**, Hong Kong (CN)

(*) Notice: This patent is subject to a terminal disclaimer.

(**) Term: **15 Years**

(21) Appl. No.: **29/602,178**

(22) Filed: **Apr. 28, 2017**

(51) **LOC (12) Cl.** **03-01**

(52) **U.S. Cl.**
USPC **D3/302**

(58) **Field of Classification Search**
USPC D3/201, 272, 273, 302, 315, 316, 903;
D9/414, 424, 432; D6/663, 667, 672,
(Continued)

(56) **References Cited**

U.S. PATENT DOCUMENTS

D212,413 S 10/1968 Lacoste et al.
D244,085 S 4/1977 Giddings et al.
(Continued)

OTHER PUBLICATIONS

“CoinLink™ Coin Collecting News” available on <http://www.coinlink.com/News/whats-new/pcgs-announces-innovative-ro>, dated Mar. 27, 2008, 2 pages.

(Continued)

Primary Examiner — W. A. Teddy Falloway
(74) *Attorney, Agent, or Firm* — Patent GC LLC;
Alexander Franco

(57) **CLAIM**

The ornamental design for a case for encapsulating a roll of coins, as shown and described.

DESCRIPTION

The subject matter of this application is related to U.S. Design patent application Ser. No. 29/579,780, filed on Oct. 3, 2016, now U.S. Design Pat. No. D836,910, which application is incorporated herein by reference in its entirety. FIG. 1 is a perspective view of a first embodiment of a case for encapsulating a roll of coins; FIG. 2 is a rear elevation view thereof; FIG. 3 is a front elevation view thereof; FIG. 4 is a left side elevation view thereof; FIG. 5 is a right side elevation view thereof; FIG. 6 is a top plan view thereof; FIG. 7 is a bottom plan view thereof; FIG. 8 is a perspective view of a second embodiment of a case for encapsulating a roll of coins; FIG. 9 is a rear elevation view thereof; FIG. 10 is a front elevation view thereof; FIG. 11 is a left side elevation view thereof; FIG. 12 is a right side elevation view thereof; FIG. 13 is a top plan view thereof; FIG. 14 is a bottom plan view thereof; FIG. 15 is a perspective view of a third embodiment of a case for encapsulating a roll of coins; FIG. 16 is a rear elevation view thereof; FIG. 17 is a front elevation view thereof; FIG. 18 is a left side elevation view thereof; FIG. 19 is a right side elevation view thereof; FIG. 20 is a top plan view thereof; FIG. 21 is a bottom plan view thereof; FIG. 22 is a perspective view of a fourth embodiment of a case for encapsulating a roll of coins; FIG. 23 is a rear elevation view thereof; FIG. 24 is a front elevation view thereof; FIG. 25 is a left side elevation view thereof; FIG. 26 is a right side elevation view thereof; FIG. 27 is a top plan view thereof; FIG. 28 is a bottom plan view thereof;

(Continued)

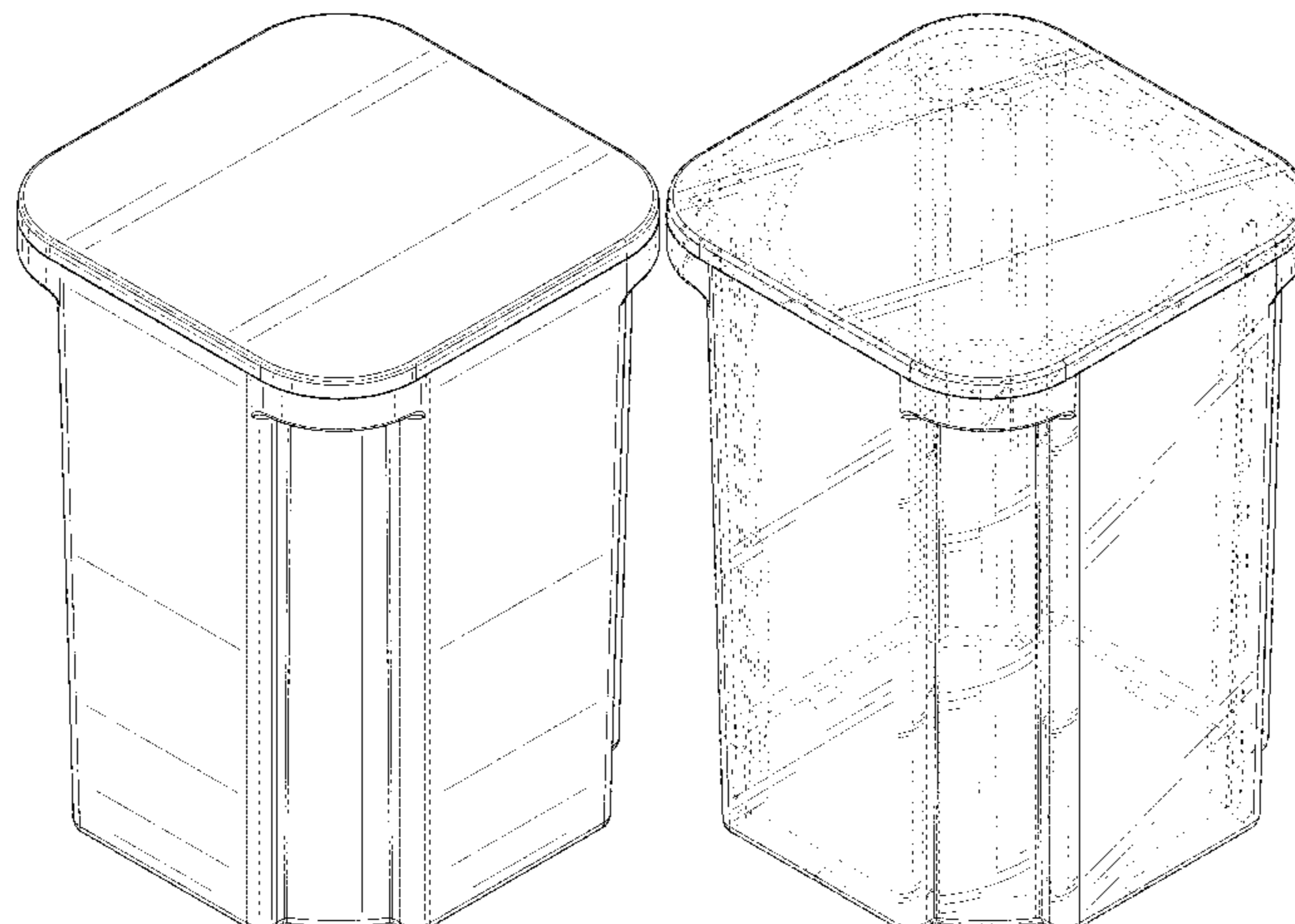


FIG. 29 is a perspective view of a fifth embodiment of a case for encapsulating a roll of coins;
 FIG. 30 is a rear elevation view thereof;
 FIG. 31 is a front elevation view thereof;
 FIG. 32 is a left side elevation view thereof;
 FIG. 33 is a right side elevation view thereof;
 FIG. 34 is a top plan view thereof;
 FIG. 35 is a bottom plan view thereof;
 FIG. 36 is a perspective view of a sixth embodiment of a case for encapsulating a roll of coins;
 FIG. 37 is a rear elevation view thereof;
 FIG. 38 is a front elevation view thereof;
 FIG. 39 is a left side elevation view thereof;
 FIG. 40 is a right side elevation view thereof;
 FIG. 41 is a top plan view thereof;
 FIG. 42 is a bottom plan view thereof;
 FIG. 43 is a perspective view of a seventh embodiment of a case for encapsulating a roll of coins;
 FIG. 44 is a rear elevation view thereof;
 FIG. 45 is a front elevation view thereof;
 FIG. 46 is a left side elevation view thereof;
 FIG. 47 is a right side elevation view thereof;
 FIG. 48 is a top plan view thereof;
 FIG. 49 is a bottom plan view thereof;
 FIG. 50 is a perspective view of an eighth embodiment of a case for encapsulating a roll of coins;
 FIG. 51 is a rear elevation view thereof;
 FIG. 52 is a front elevation view thereof;
 FIG. 53 is a left side elevation view thereof;
 FIG. 54 is a right side elevation view thereof;
 FIG. 55 is a top plan view thereof; and,
 FIG. 56 is a bottom plan view thereof.
 The broken lines illustrate portions of the case for encapsulating a roll of coins that form no part of the claimed design.

1 Claim, 56 Drawing Sheets

(58) **Field of Classification Search**
 USPC .. D6/675, 675.3, 682, 683, 512, 678, 678.2;
 D7/612, 703, 408; D99/34, 35, 28;
 215/26–28; 312/114; 220/62.22;
 229/904.1, 406; 206/0.8, 0.81, 0.815,
 206/0.82, 586, 807, 811
 CPC .. B65D 21/0222; B65D 1/36; B65D 81/3294;
 B65D 1/24; B65D 81/3261
 See application file for complete search history.

(56)

References Cited

U.S. PATENT DOCUMENTS

D287,821 S	1/1987	Holewinski et al.
D332,917 S	2/1993	McDevitt et al.
D340,154 S	10/1993	Endelman
D354,831 S	1/1995	Anderson
D426,087 S	6/2000	Walls et al.
D430,981 S	9/2000	Walls, Jr.
D455,335 S	4/2002	Cort
D461,654 S	8/2002	Tamburello
D462,294 S	9/2002	Walsh
D474,046 S	5/2003	Brown, III et al.
6,874,650 B2	4/2005	Welsh et al.
D564,258 S	3/2008	Palmer
D610,448 S	2/2010	Golota et al.
D646,579 S	10/2011	Rahe
D669,777 S	10/2012	Brown et al.
D680,858 S	4/2013	Short et al.
D696,051 S	12/2013	Scatterday
D696,110 S	12/2013	Bergbohm
D704,549 S	5/2014	Liu
D726,071 S	4/2015	Aoyama
D782,772 S	3/2017	Crane et al.
D796,948 S	9/2017	Lam et al.
D801,808 S	11/2017	Irimia et al.
D807,168 S	1/2018	Bouveret et al.
9,916,711 B1 *	3/2018	Yanarella, Jr. G07D 9/004
D832,698 S *	11/2018	Ugliodoro D9/432
D836,910 S *	1/2019	Spiegel D3/302
D850,902 S *	6/2019	Raut D9/414
2004/0118737 A1	6/2004	Welsh et al.
2005/0092633 A1	5/2005	Baechle et al.
2018/0308306 A1 *	10/2018	Yanarella, Jr. G07D 9/004

OTHER PUBLICATIONS

“NGC Certified Rolls” available on <https://www.ngccoin.com/coin-grading/holders/certified-rolls.aspx>, dated Jan. 1, 2015, 3 pages.
 U.S. Appl. No. 29/579,780, “Notice of Allowance”, Aug. 15, 2018, 63 pages.
 NGC Releases Second Generation of Certified Coins, available Feb. 23, 2017, [online], [site visited Jan. 18, 2018]. Available from internet, <URL: <http://www.coinnews.net/wp-content/uploads/2017/02/NGC-Certified-Roll-hologram.jpg> (Year: 2017).
 Silver Krugerrands, available Mar. 26, 2017, [online], [site visited Jan. 18, 2018]. Available from internet, <URL: <http://www.silverbars.co.za/category/silver-coins/certified-roll-of-20-2017-south-africa-1-oz-silver-krugerrand/> (Year: 2017).
 Non-Final Office Action received for U.S. Appl. No. 29/579,780, dated Jan. 23, 2018, 7 Pages.

* cited by examiner

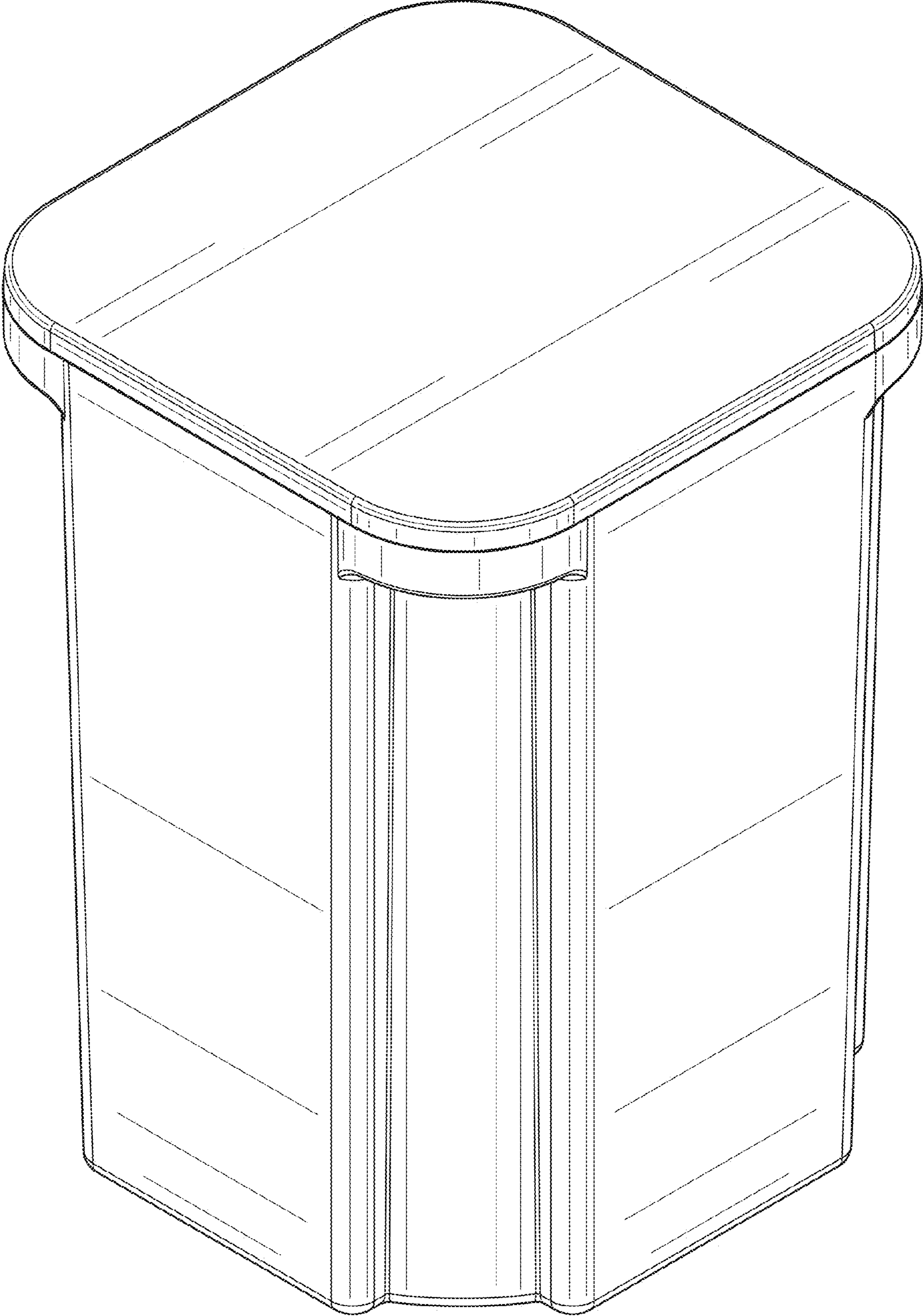


FIG. 1

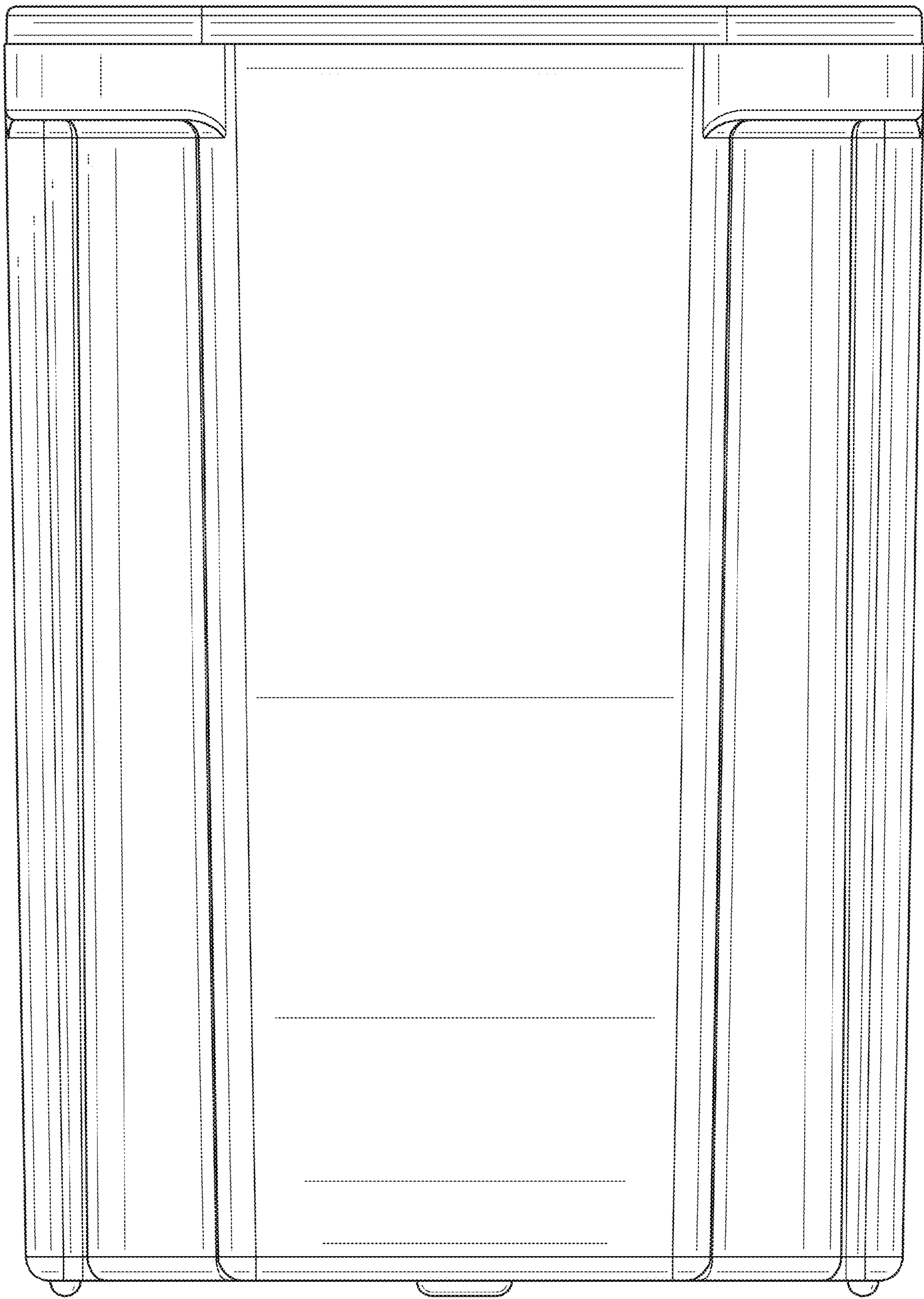


FIG. 2

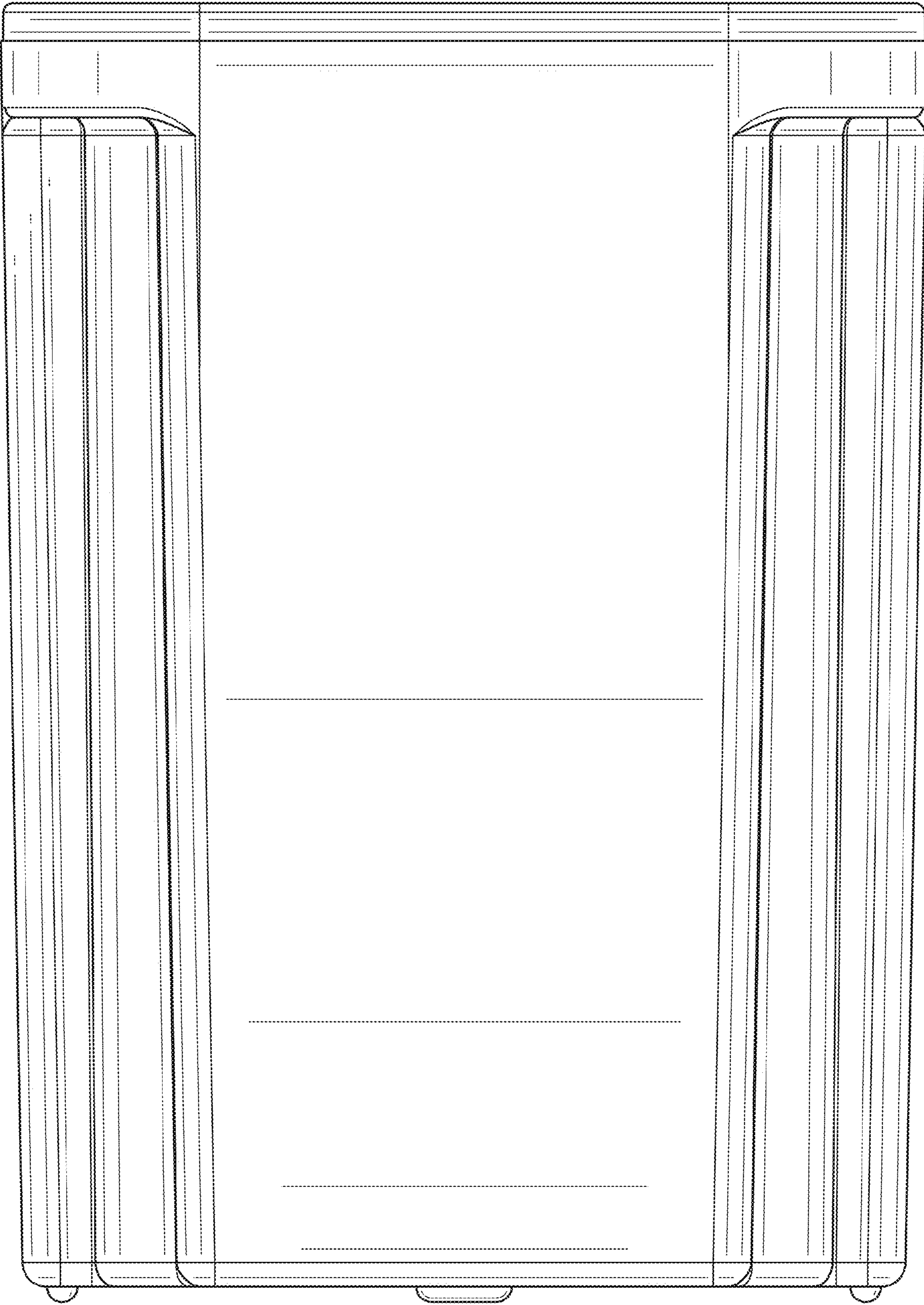


FIG. 3

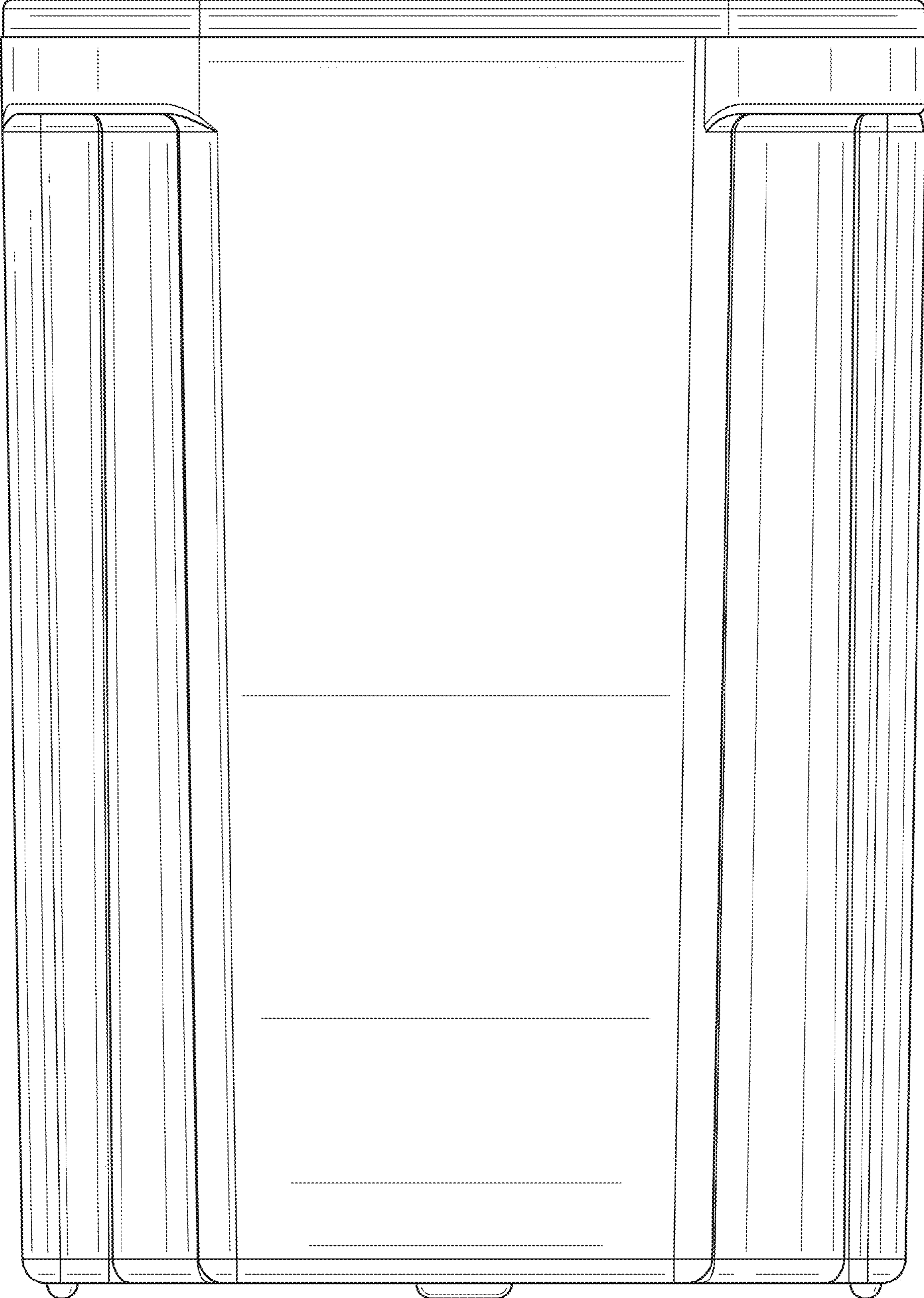


FIG. 4

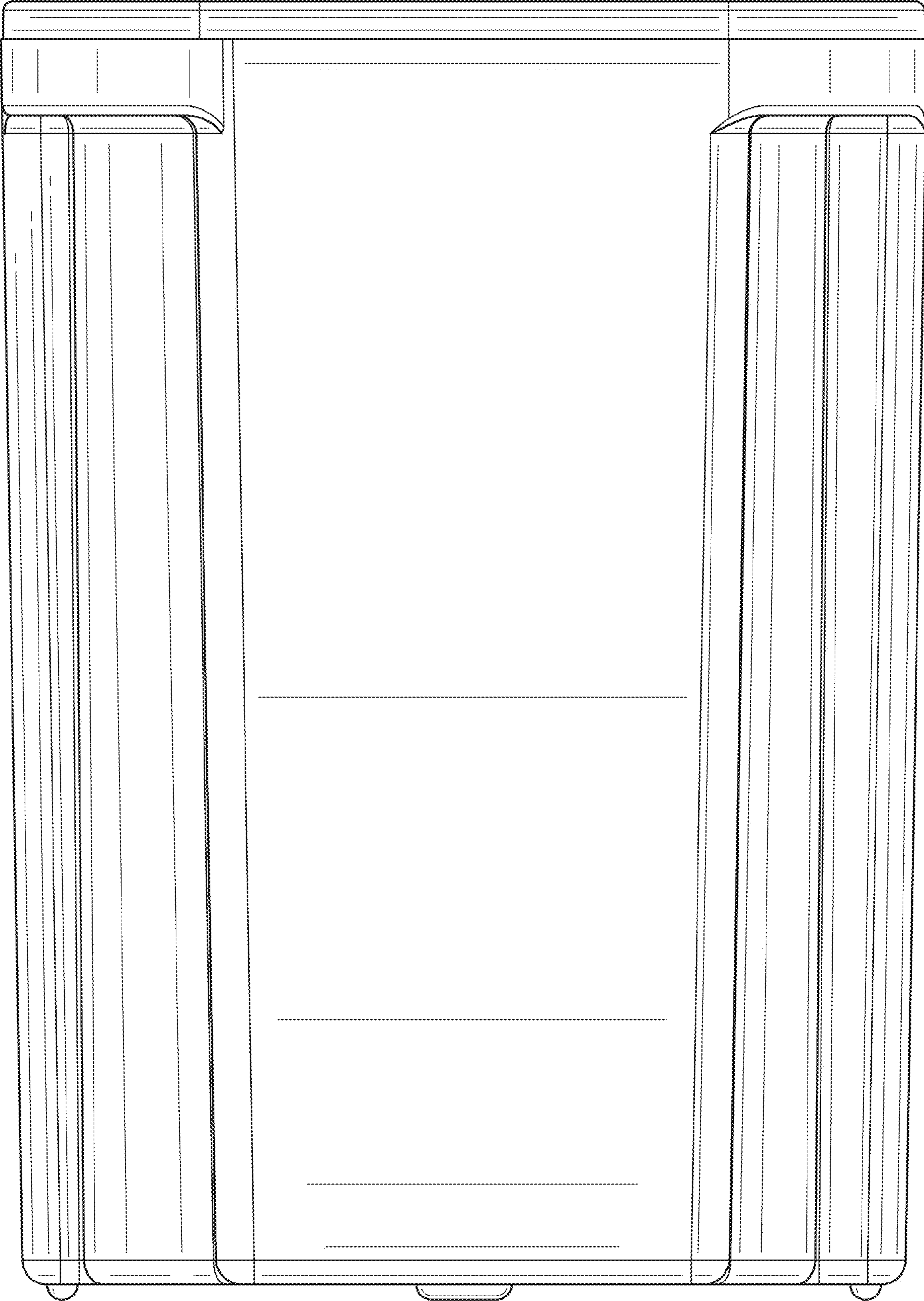


FIG. 5

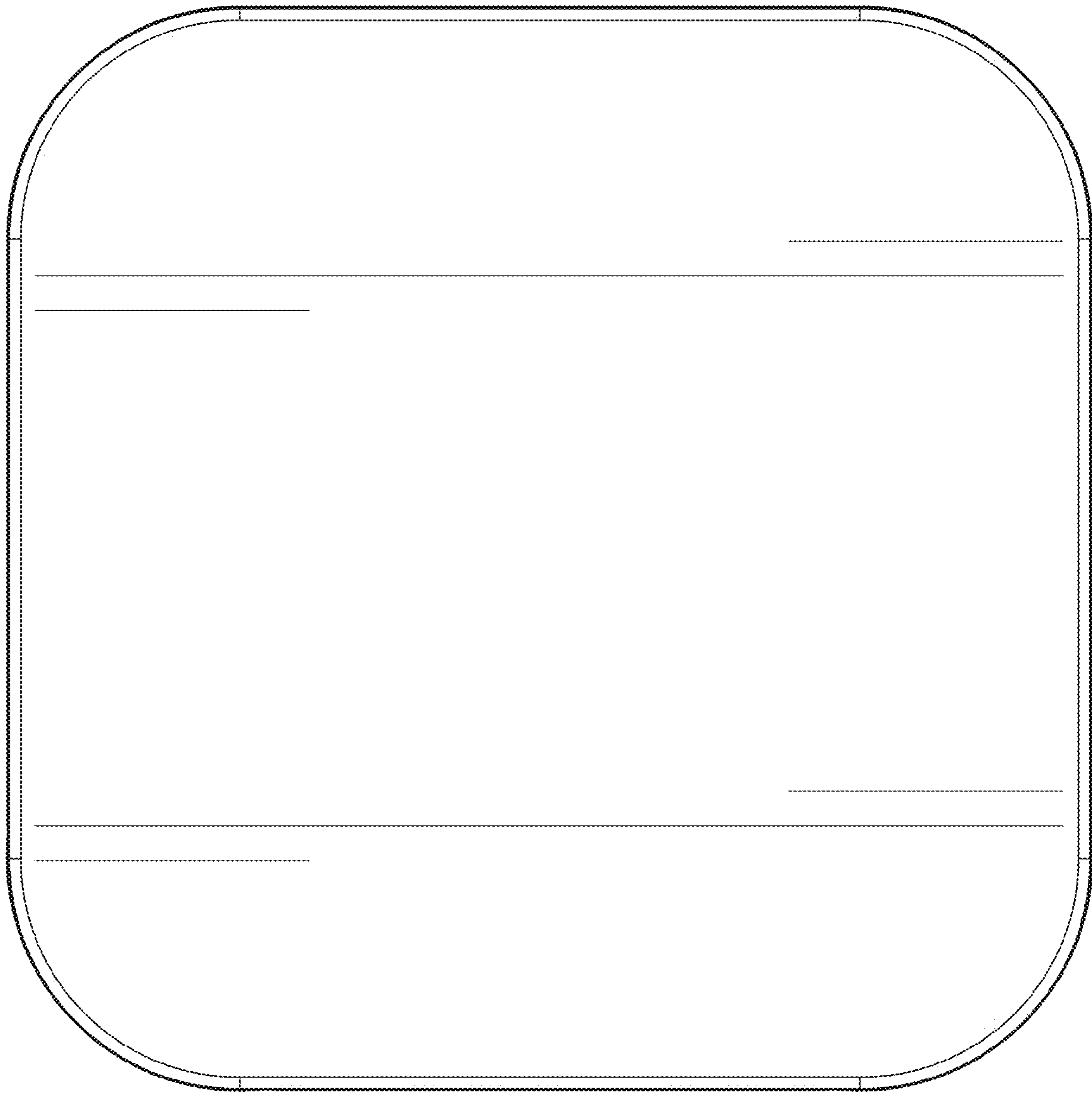


FIG. 6

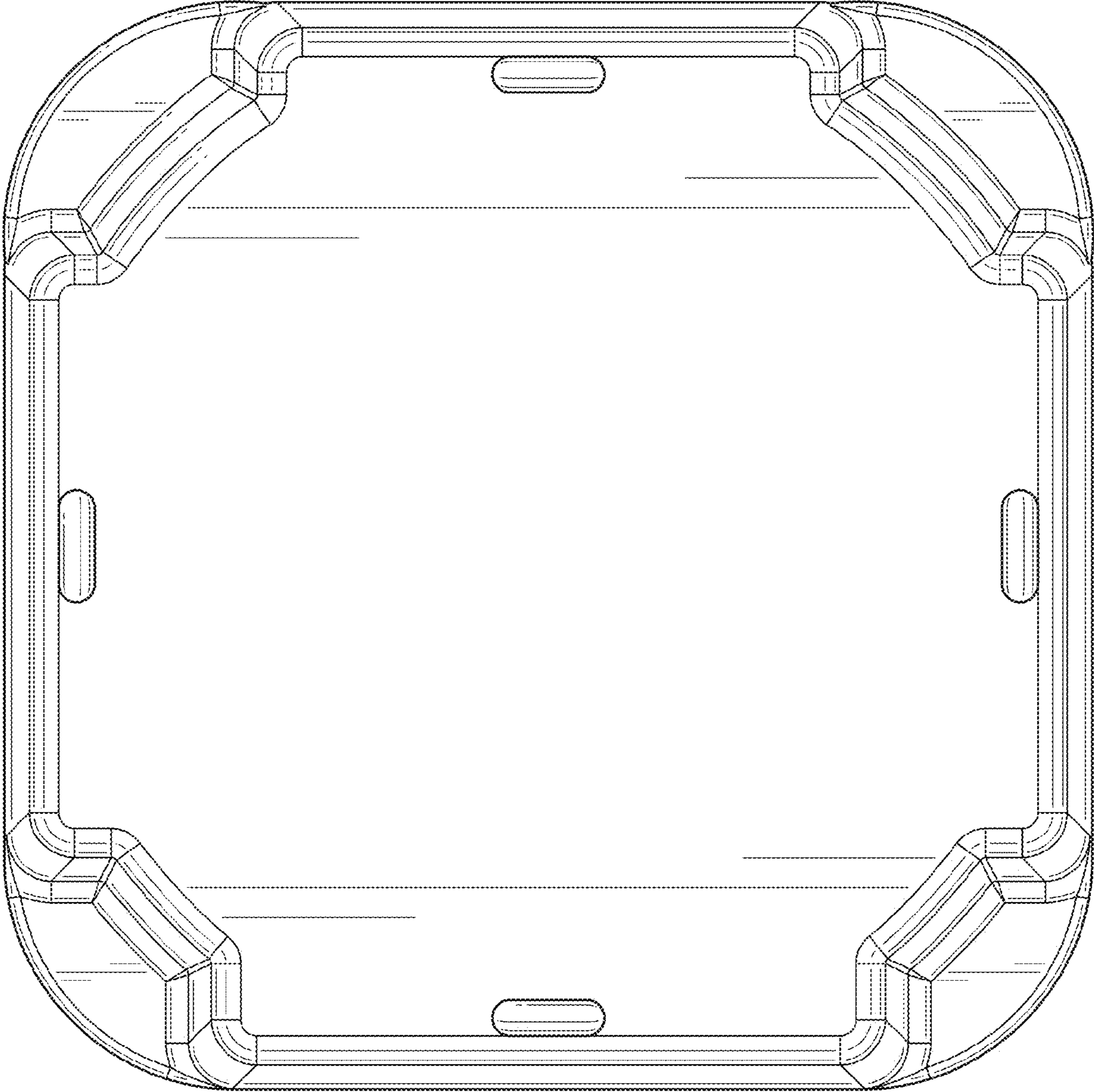


FIG. 7

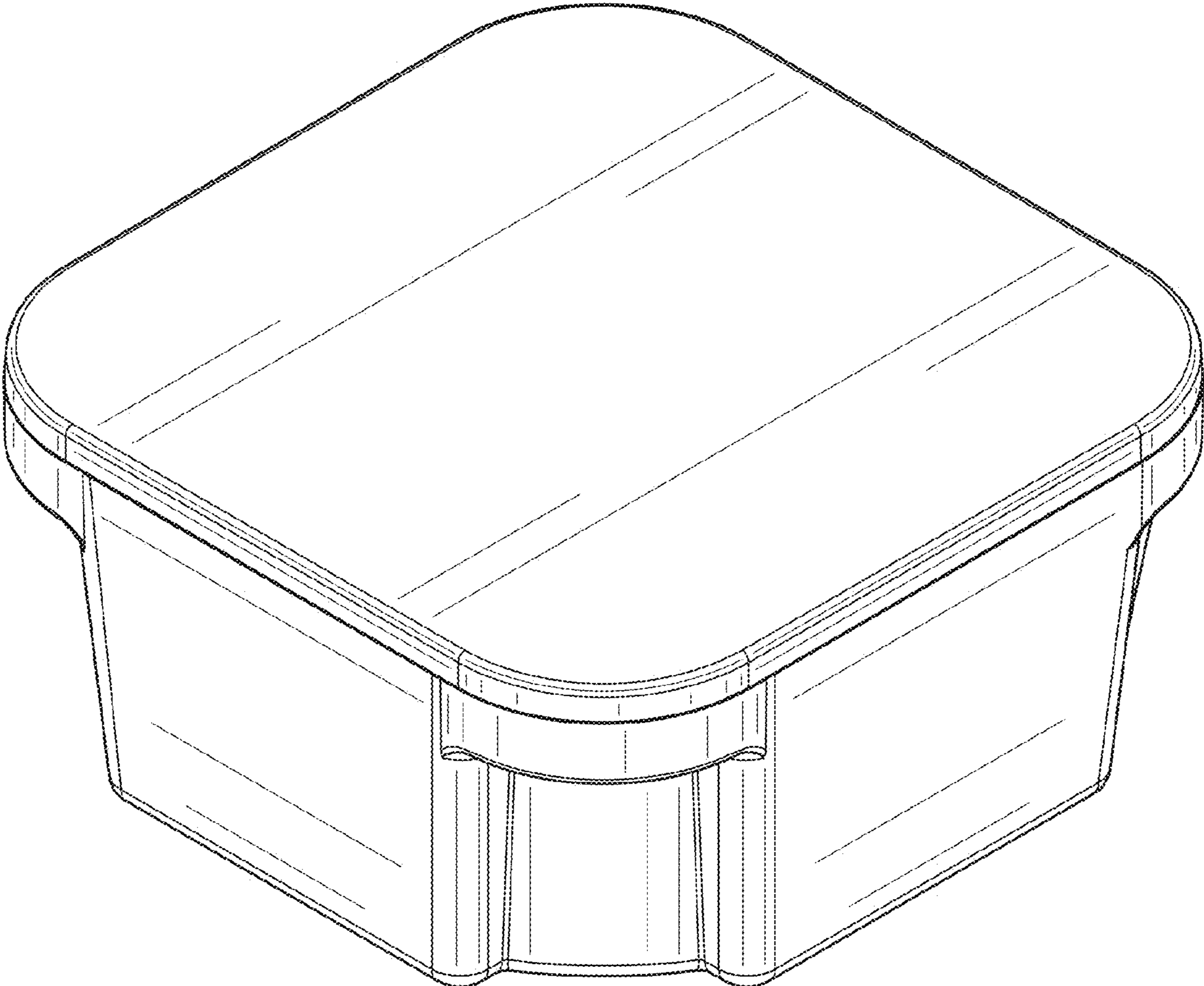


FIG. 8

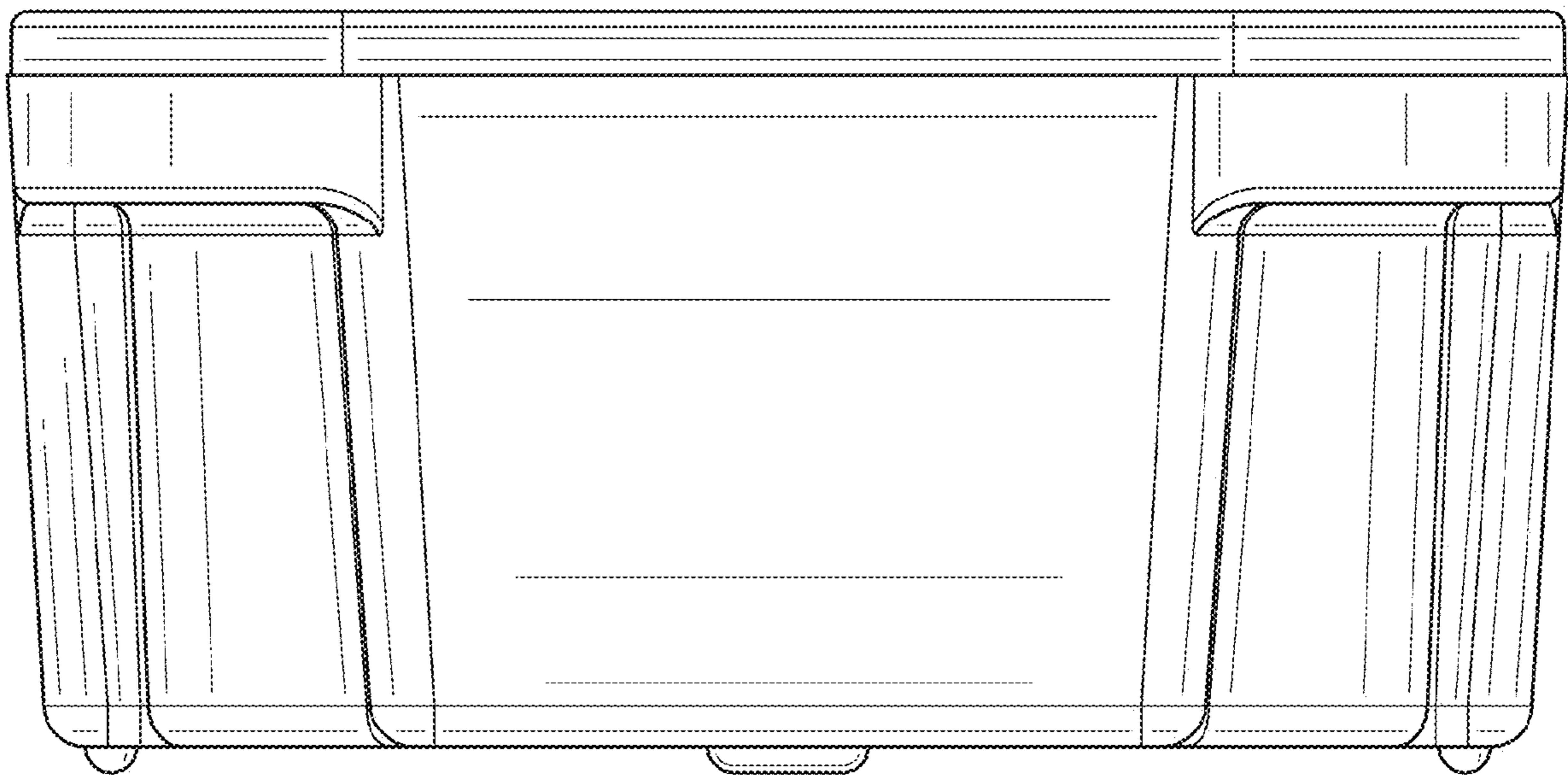


FIG. 9

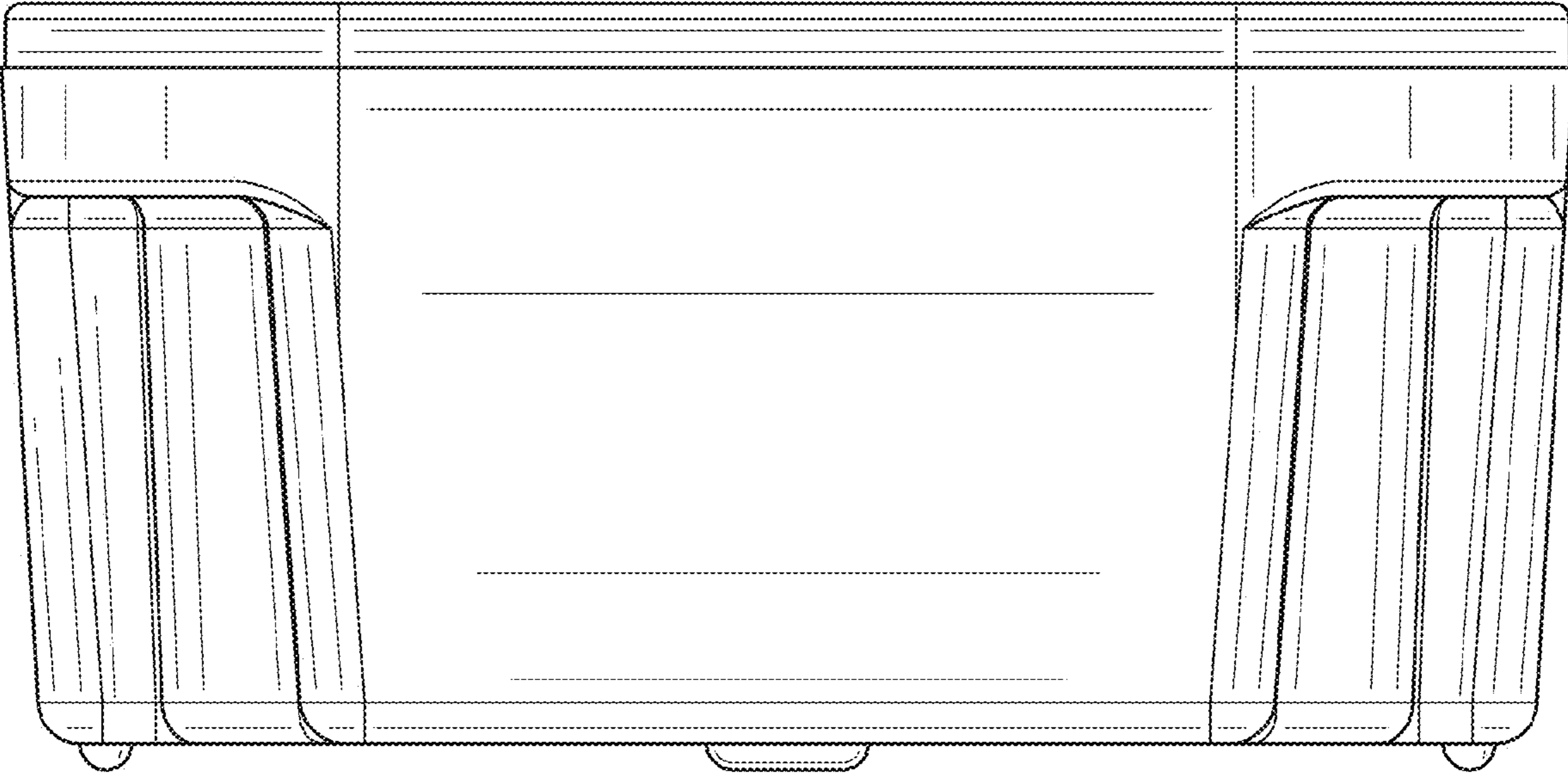


FIG. 10

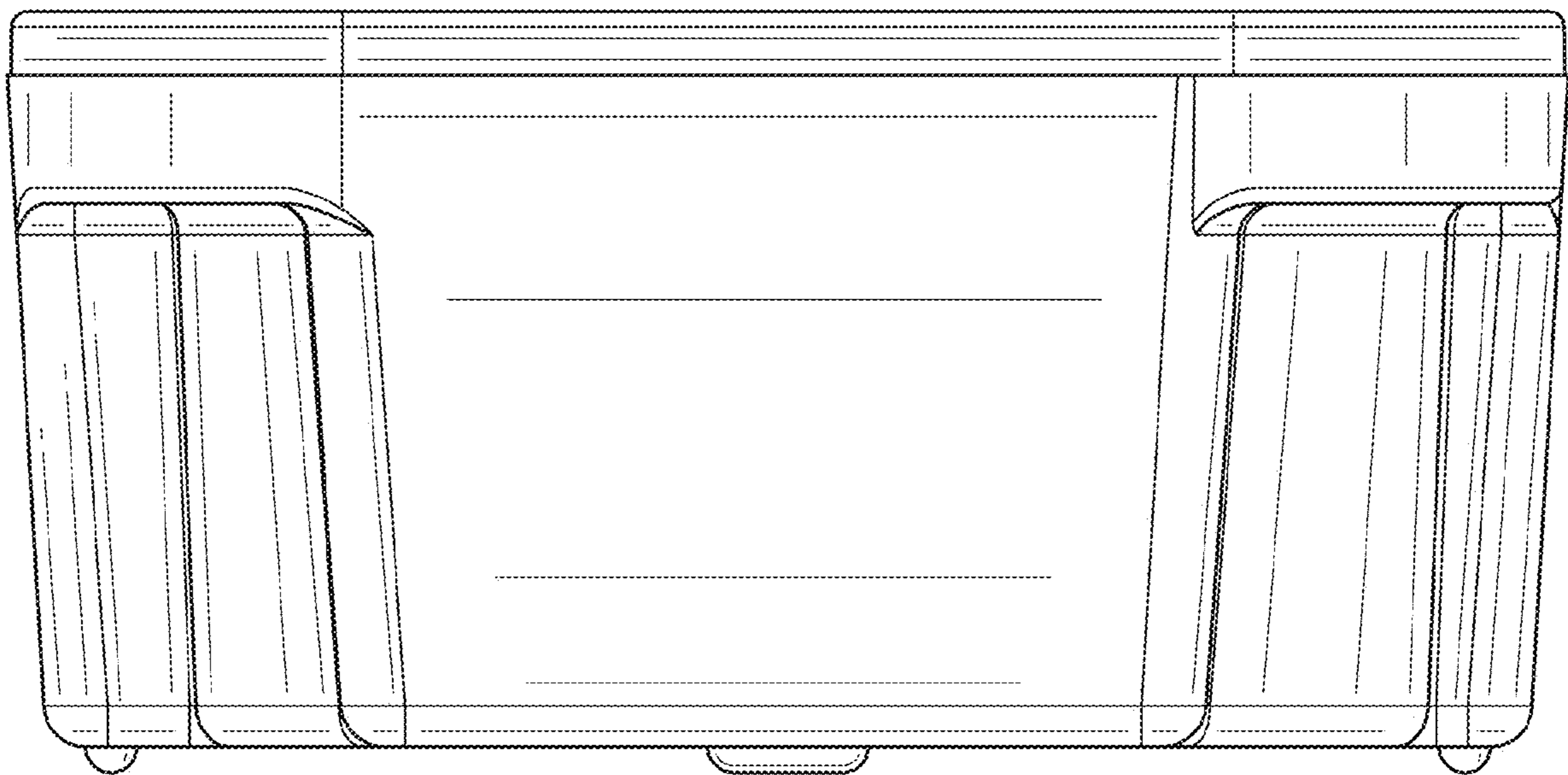


FIG. 11

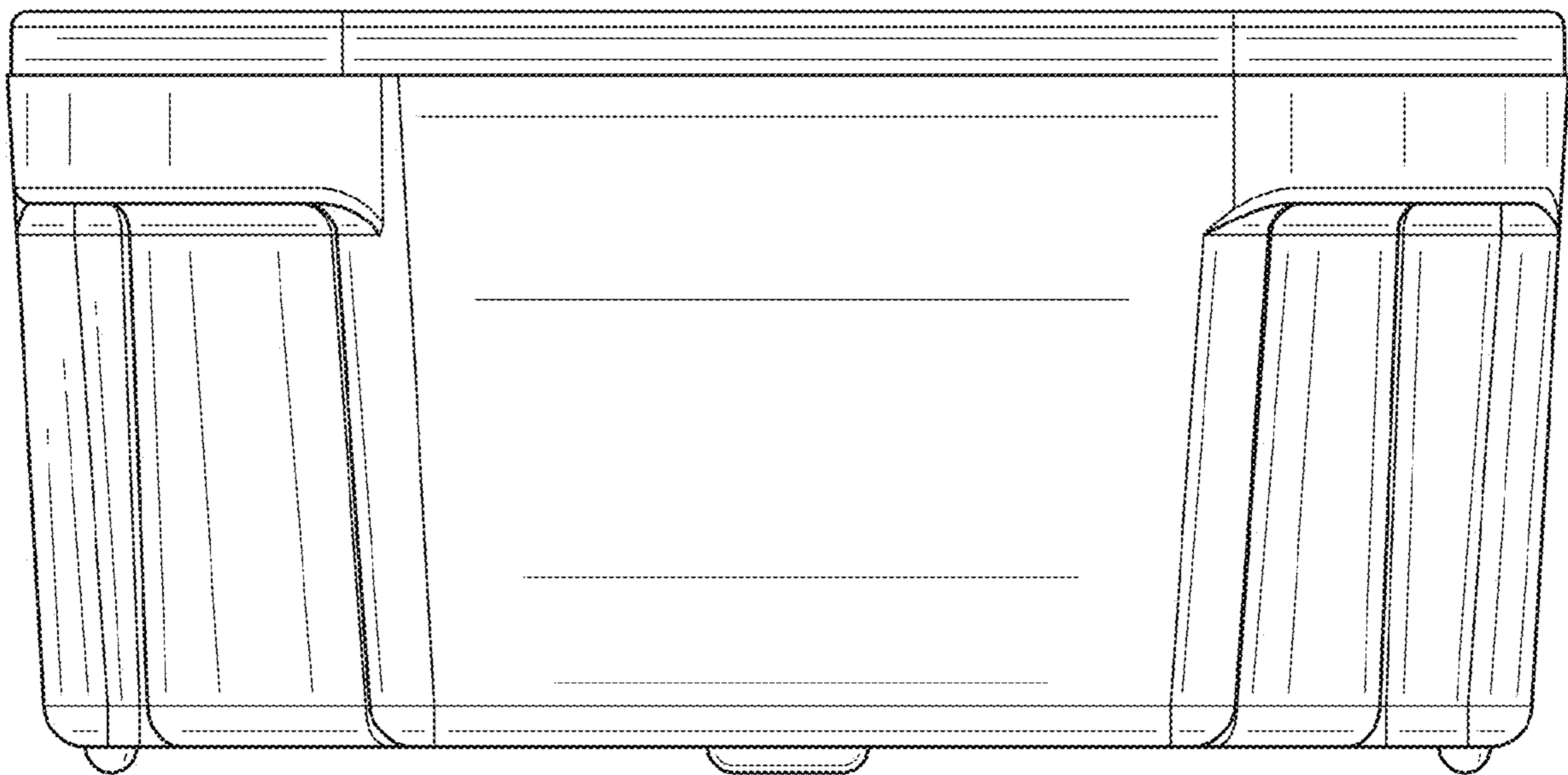


FIG. 12

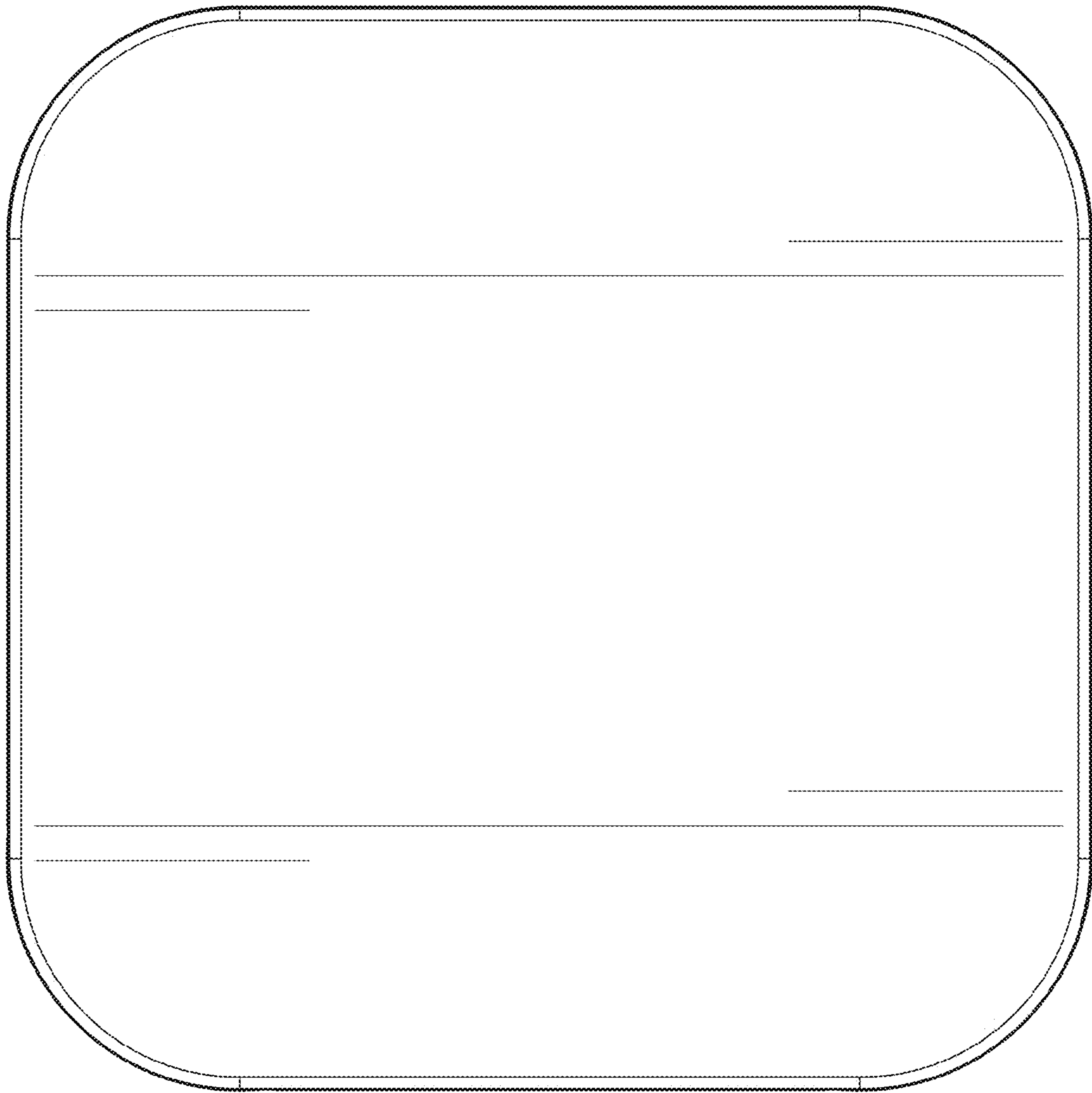


FIG. 13

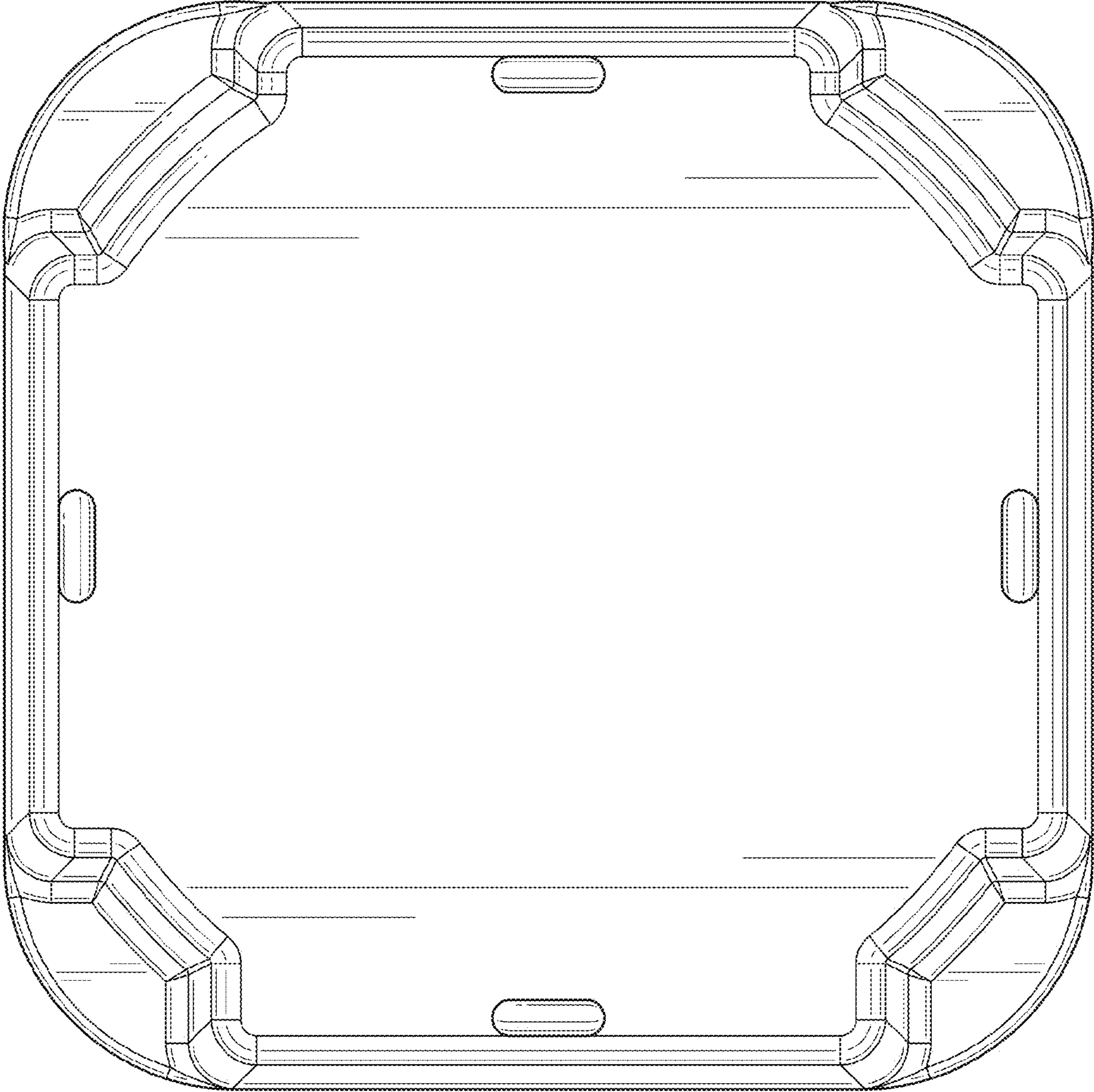


FIG. 14

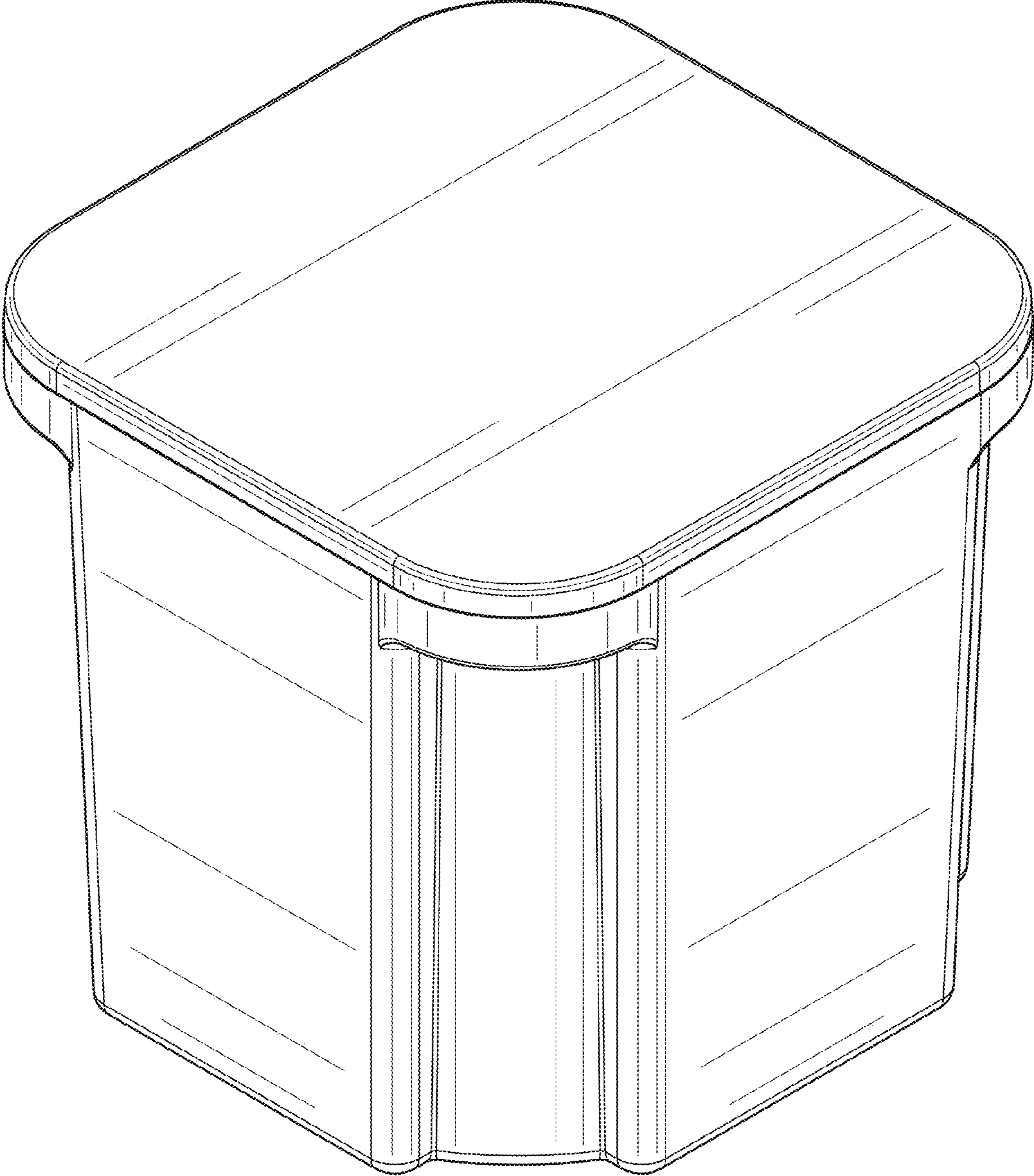


FIG. 15

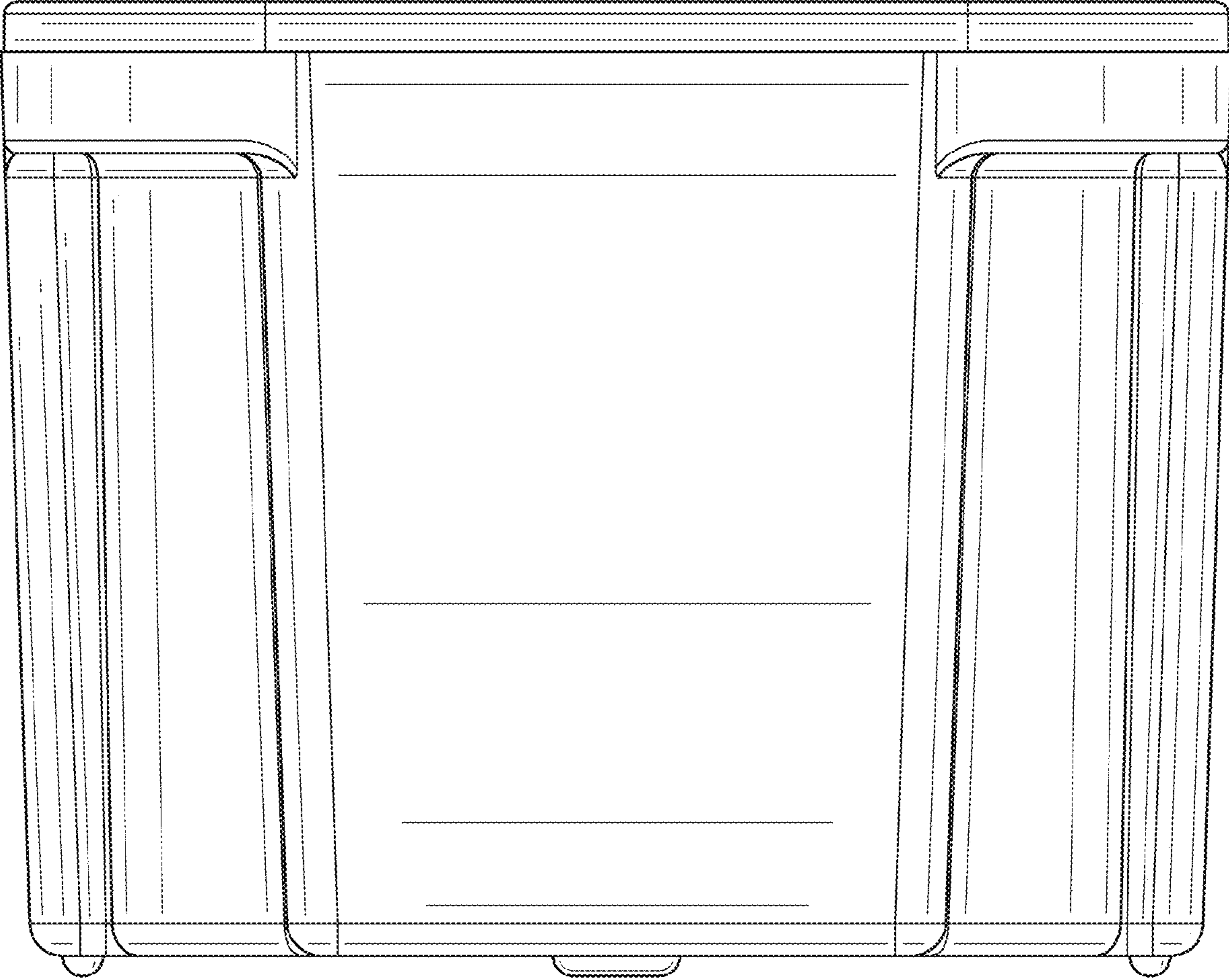


FIG. 16

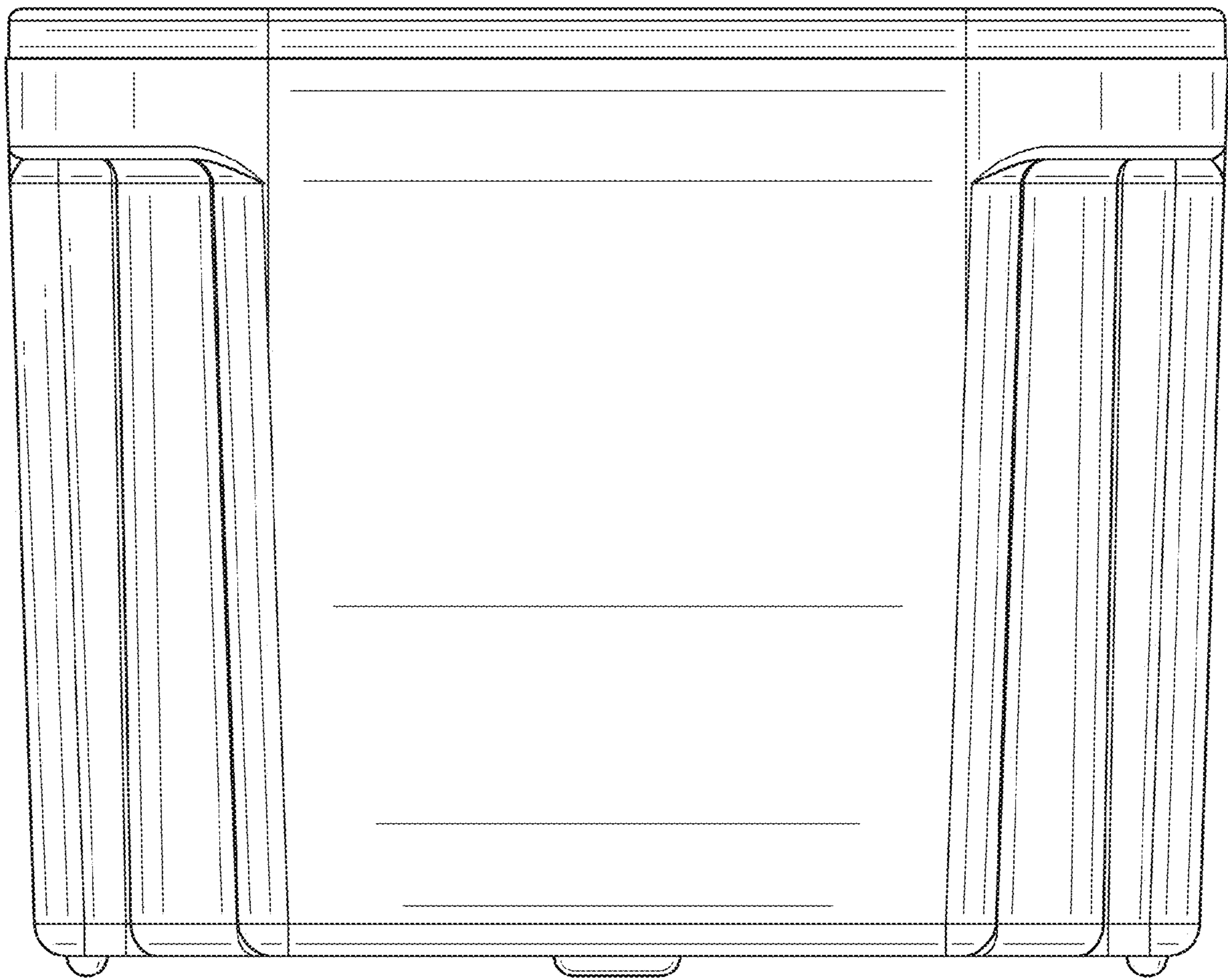


FIG. 17

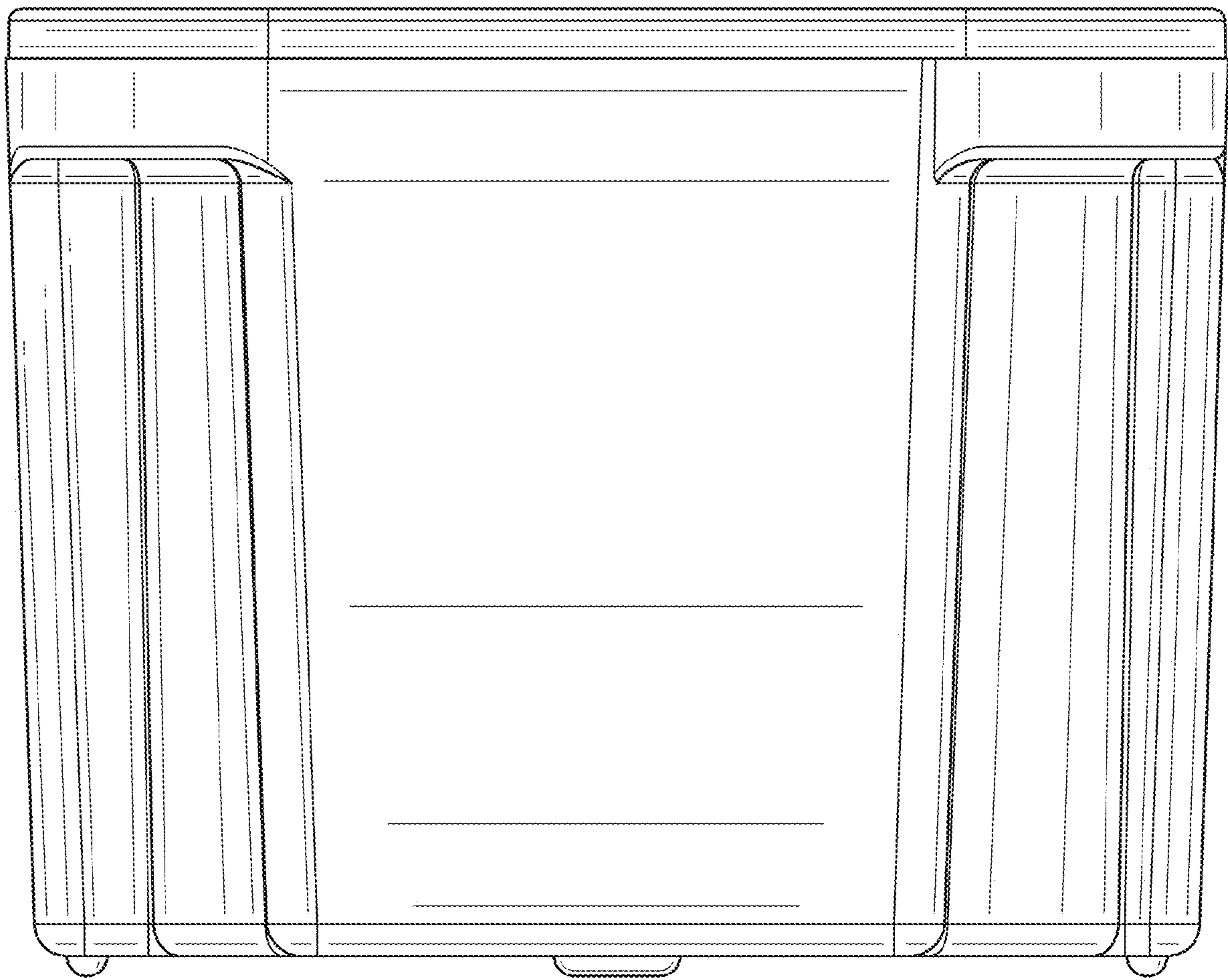


FIG. 18

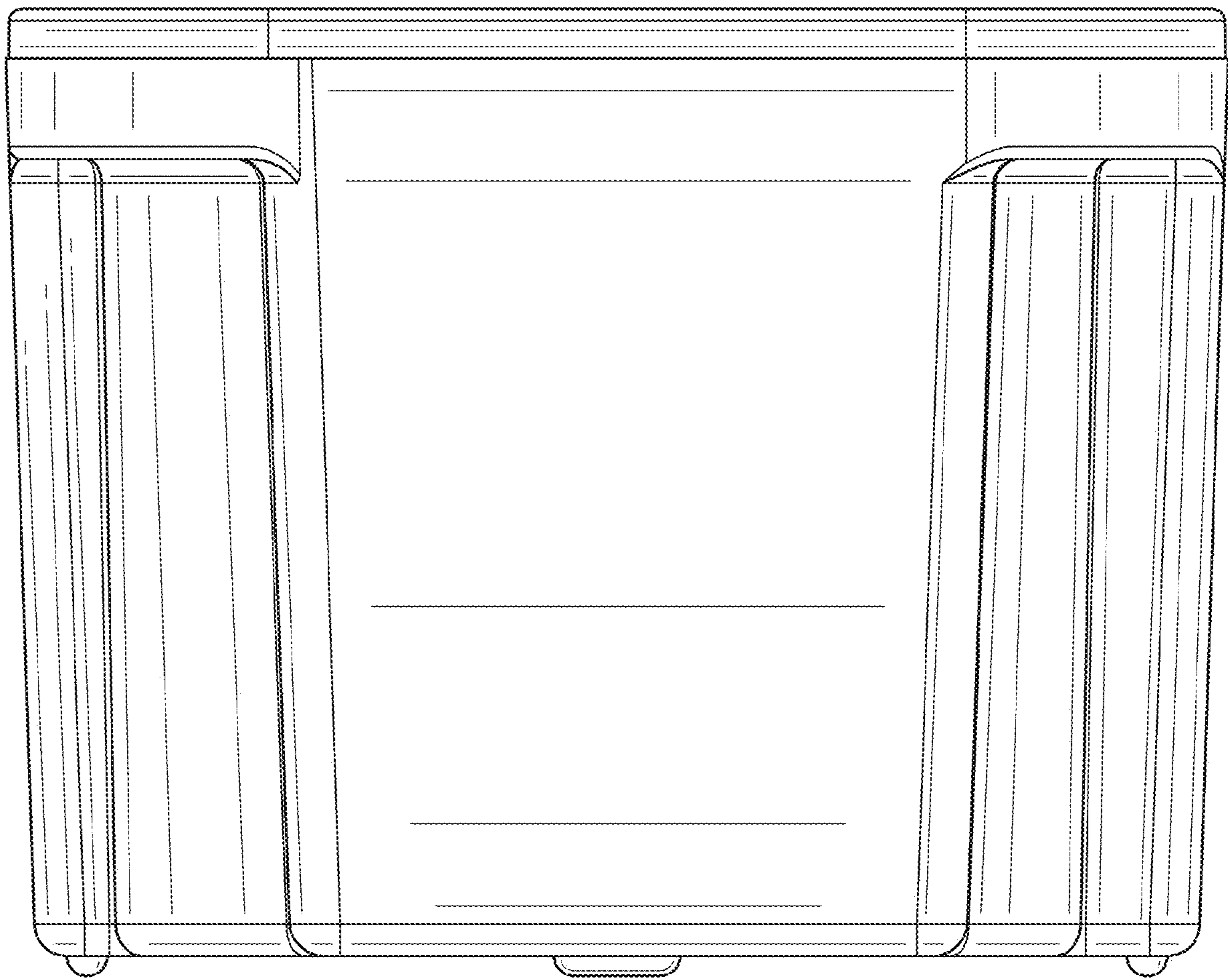


FIG. 19

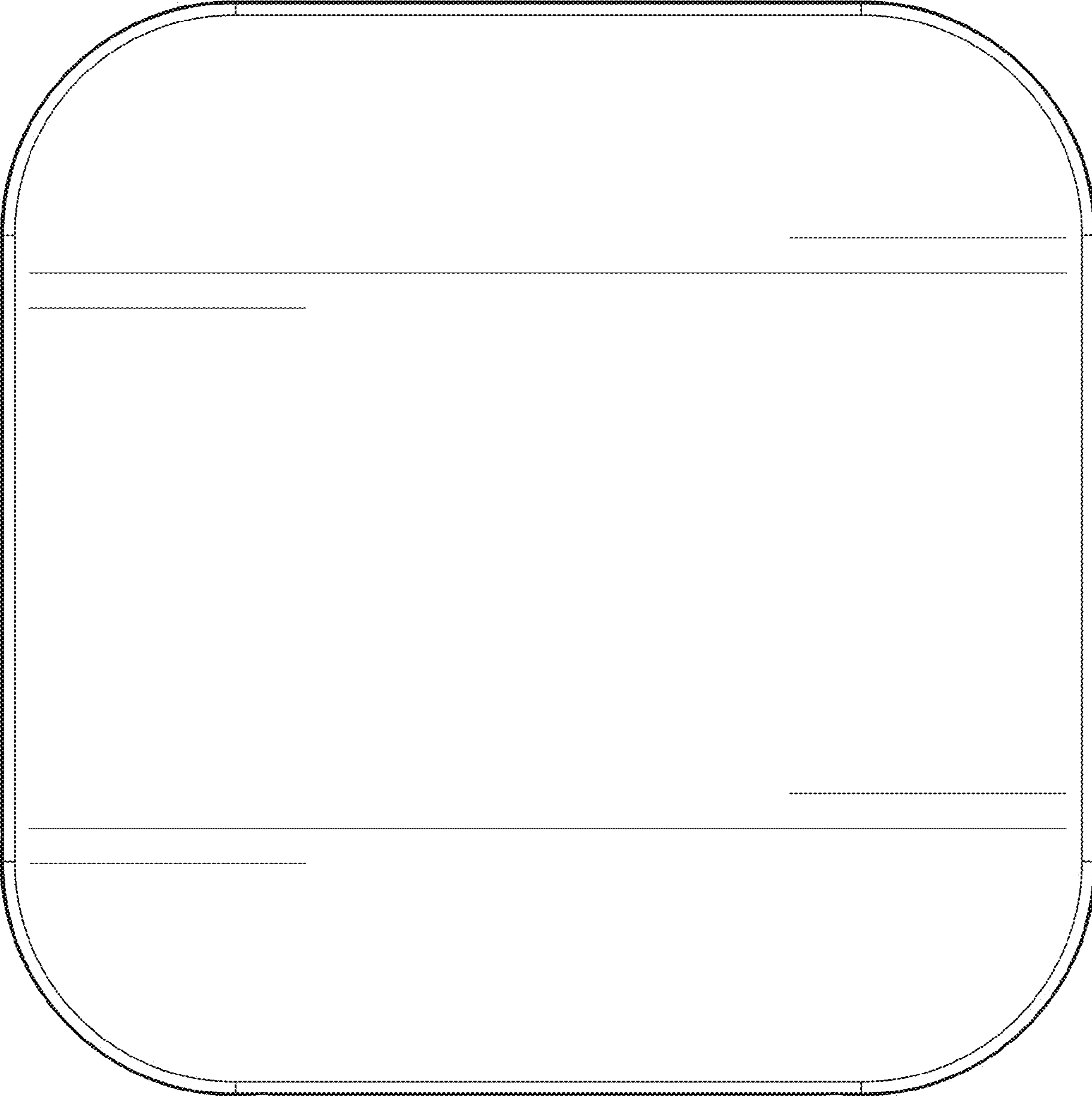


FIG. 20

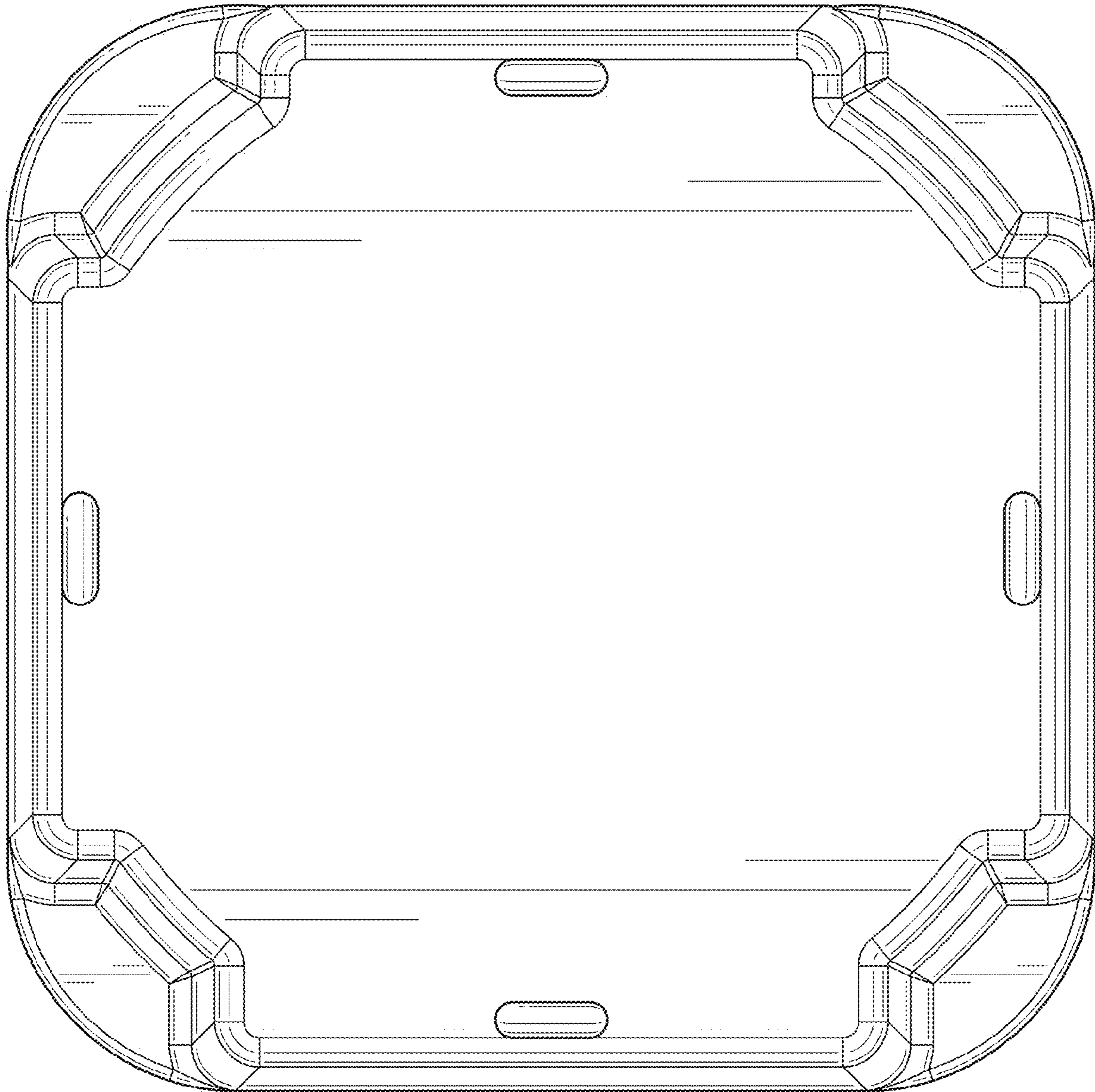


FIG. 21

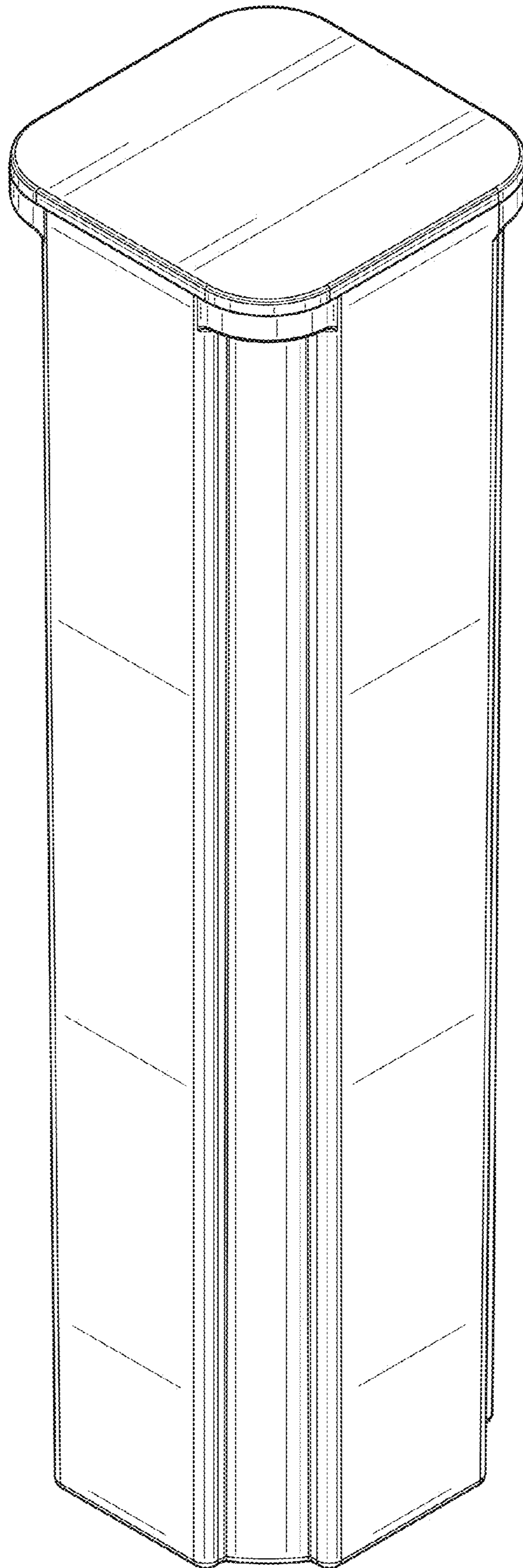


FIG. 22

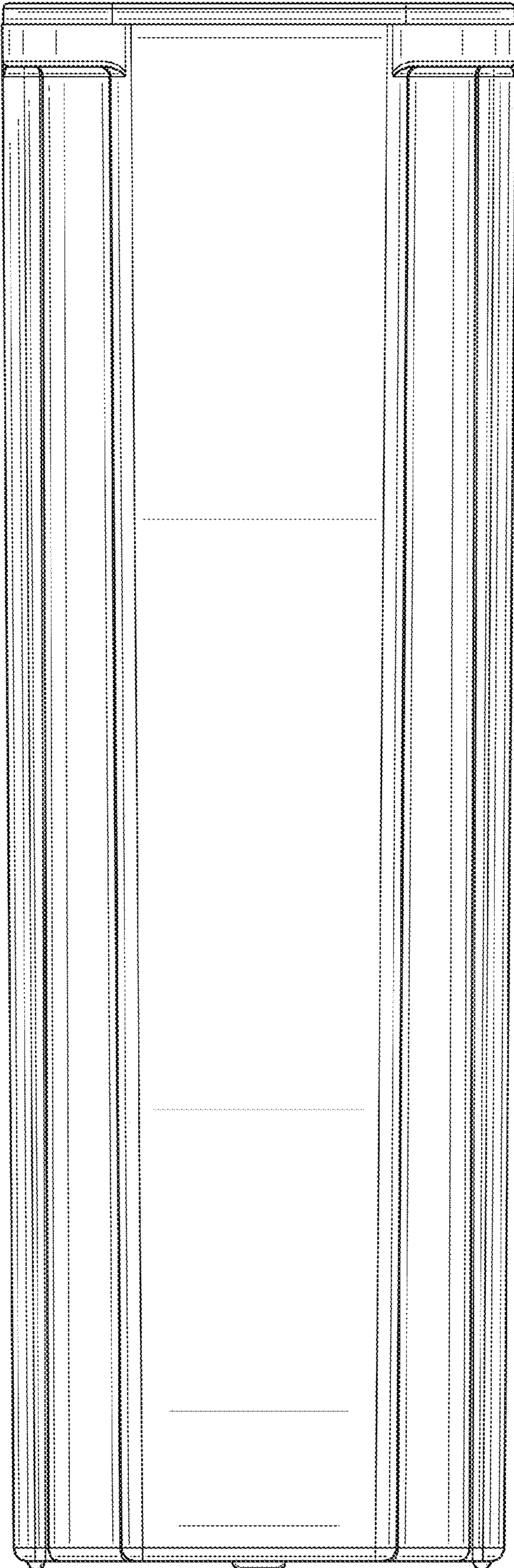


FIG. 23

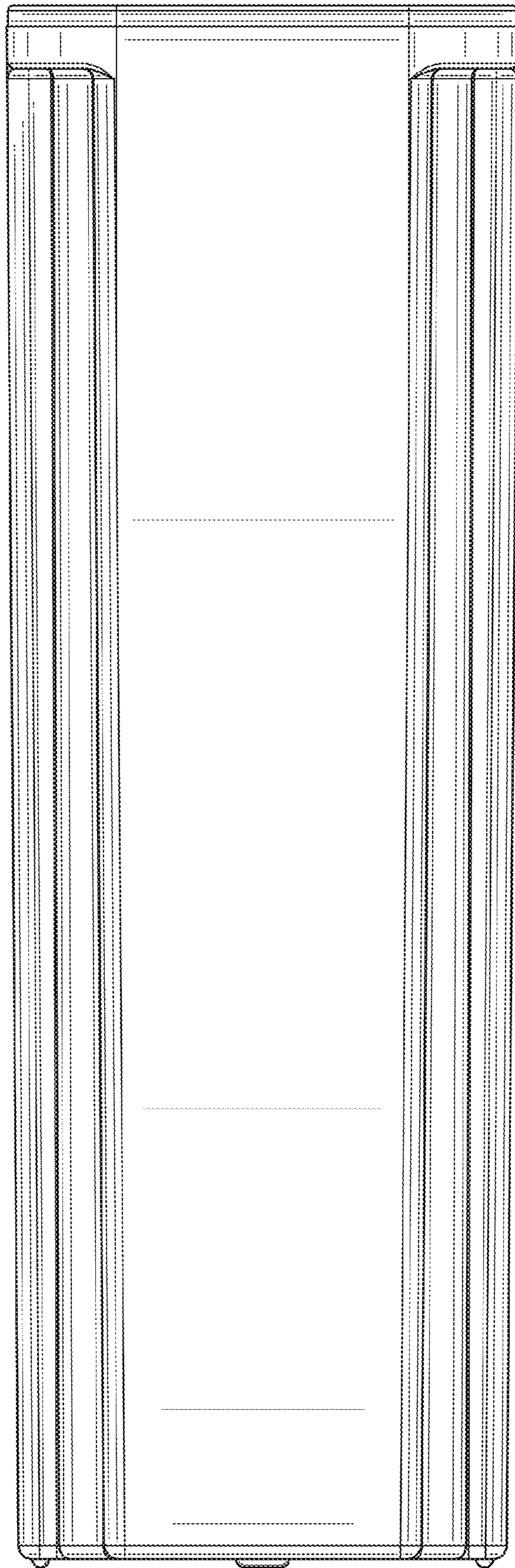


FIG. 24

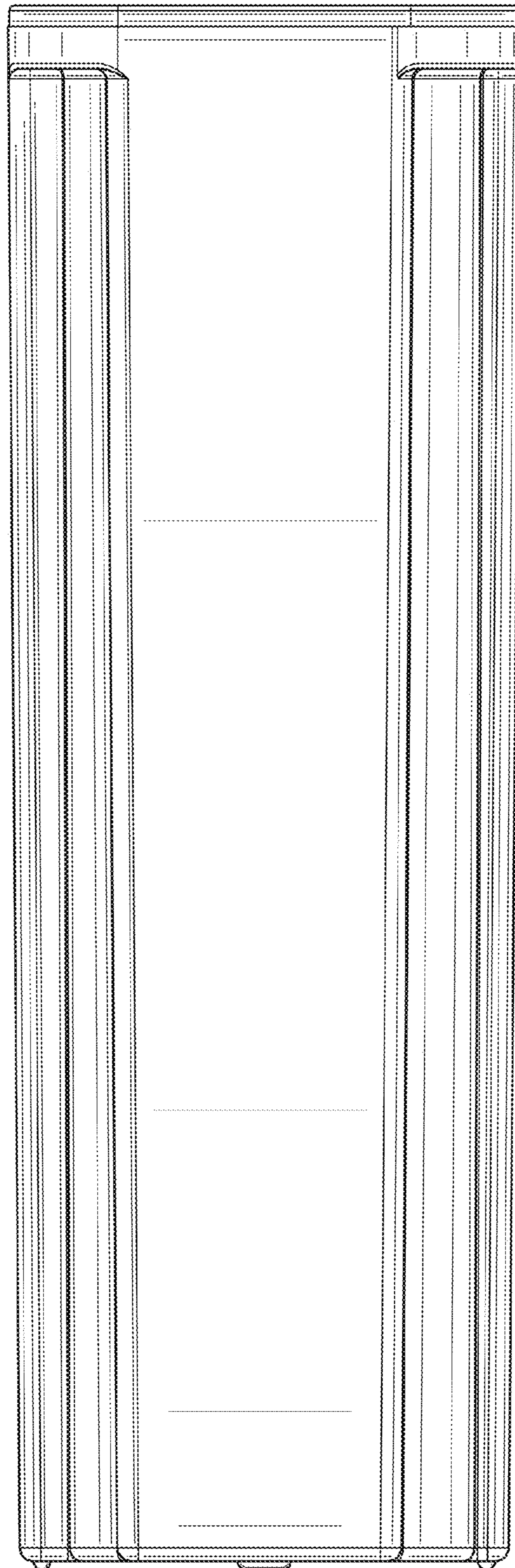


FIG. 25

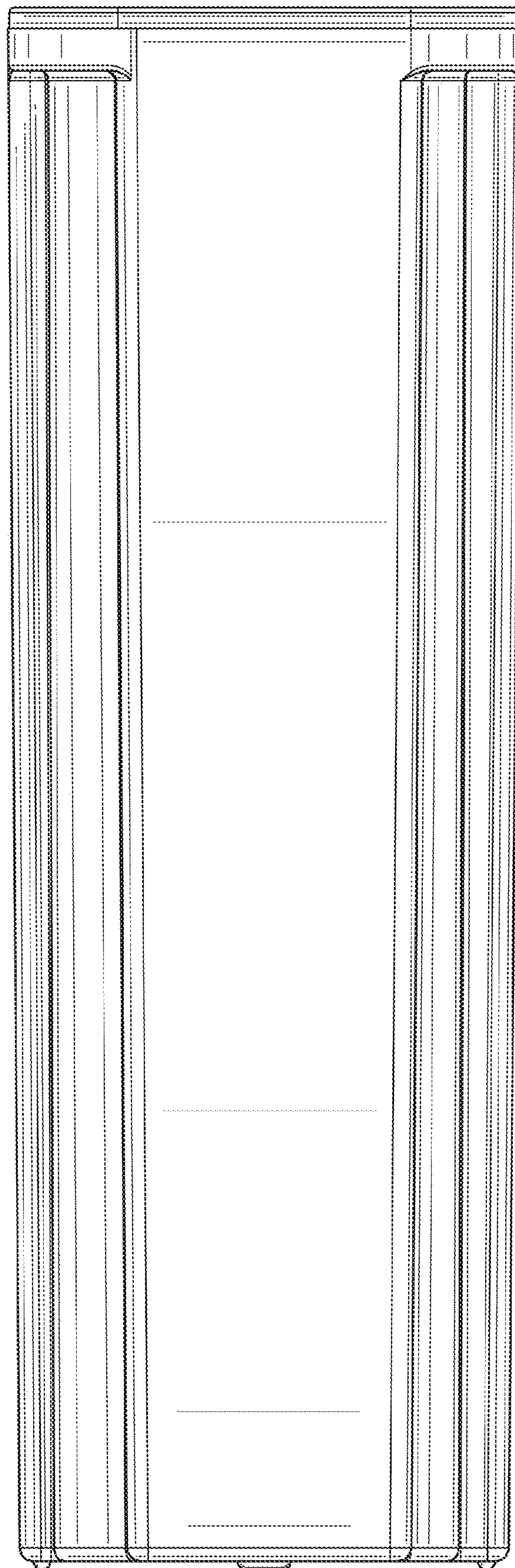


FIG. 26

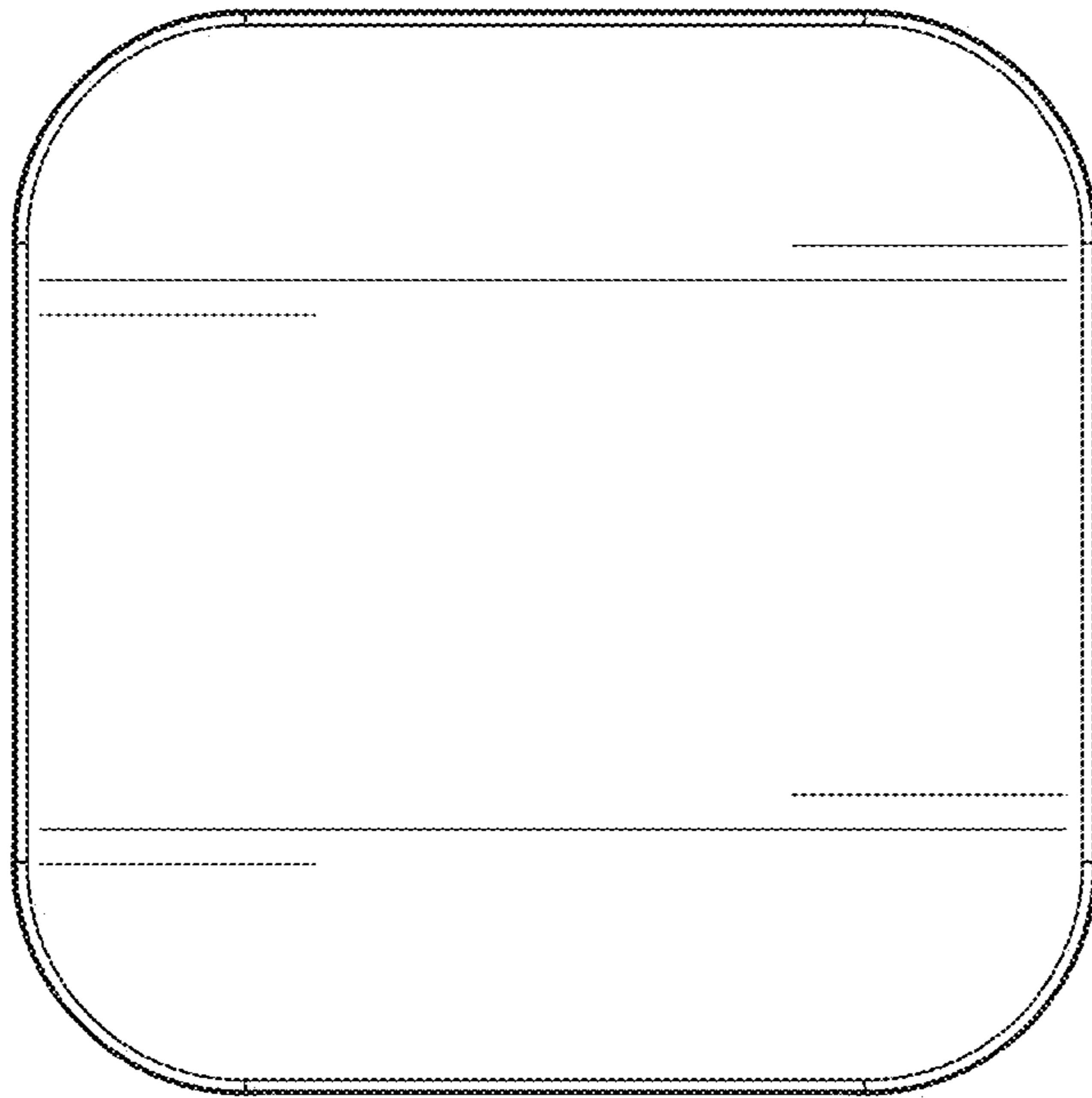


FIG. 27

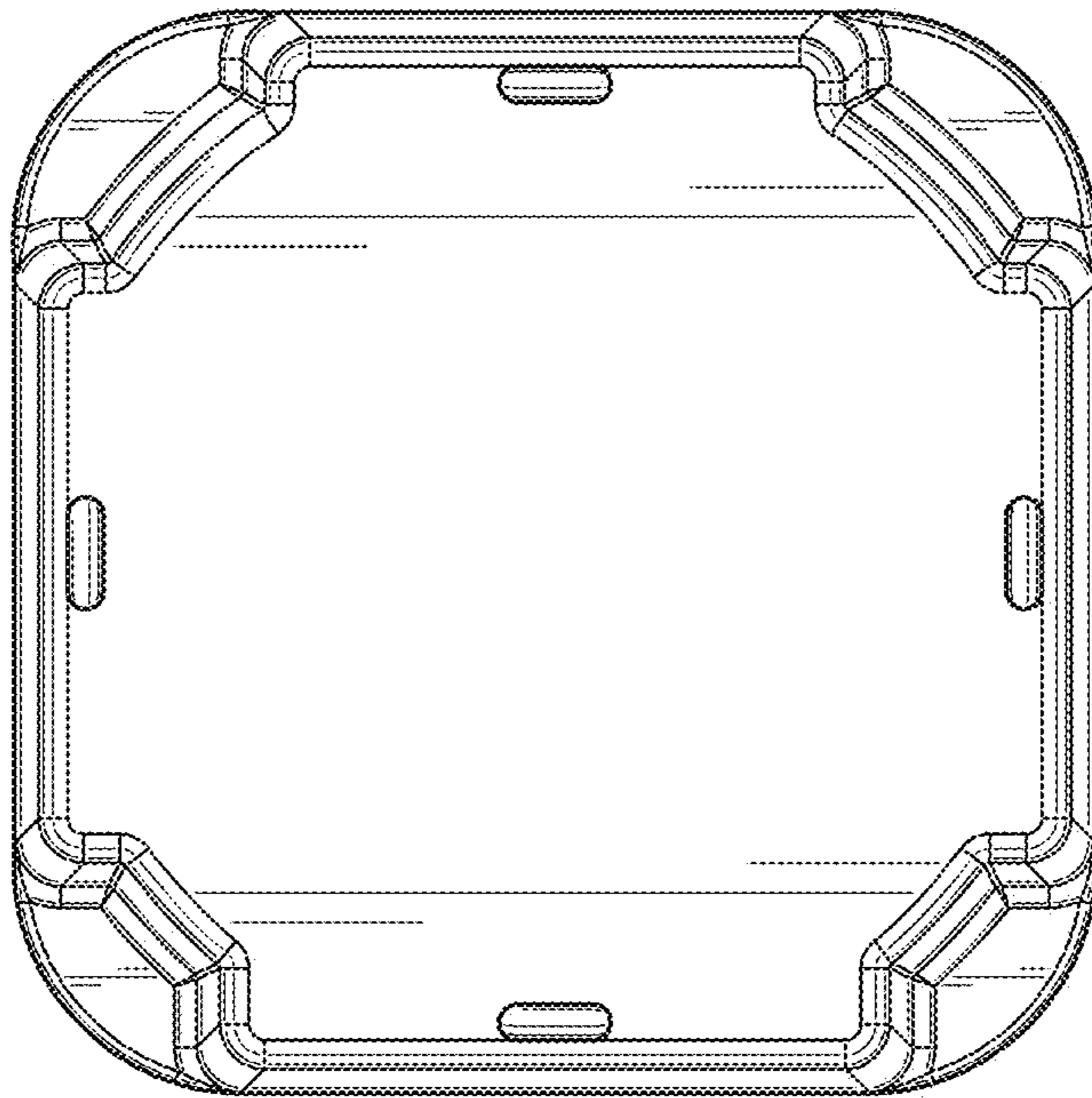


FIG. 28

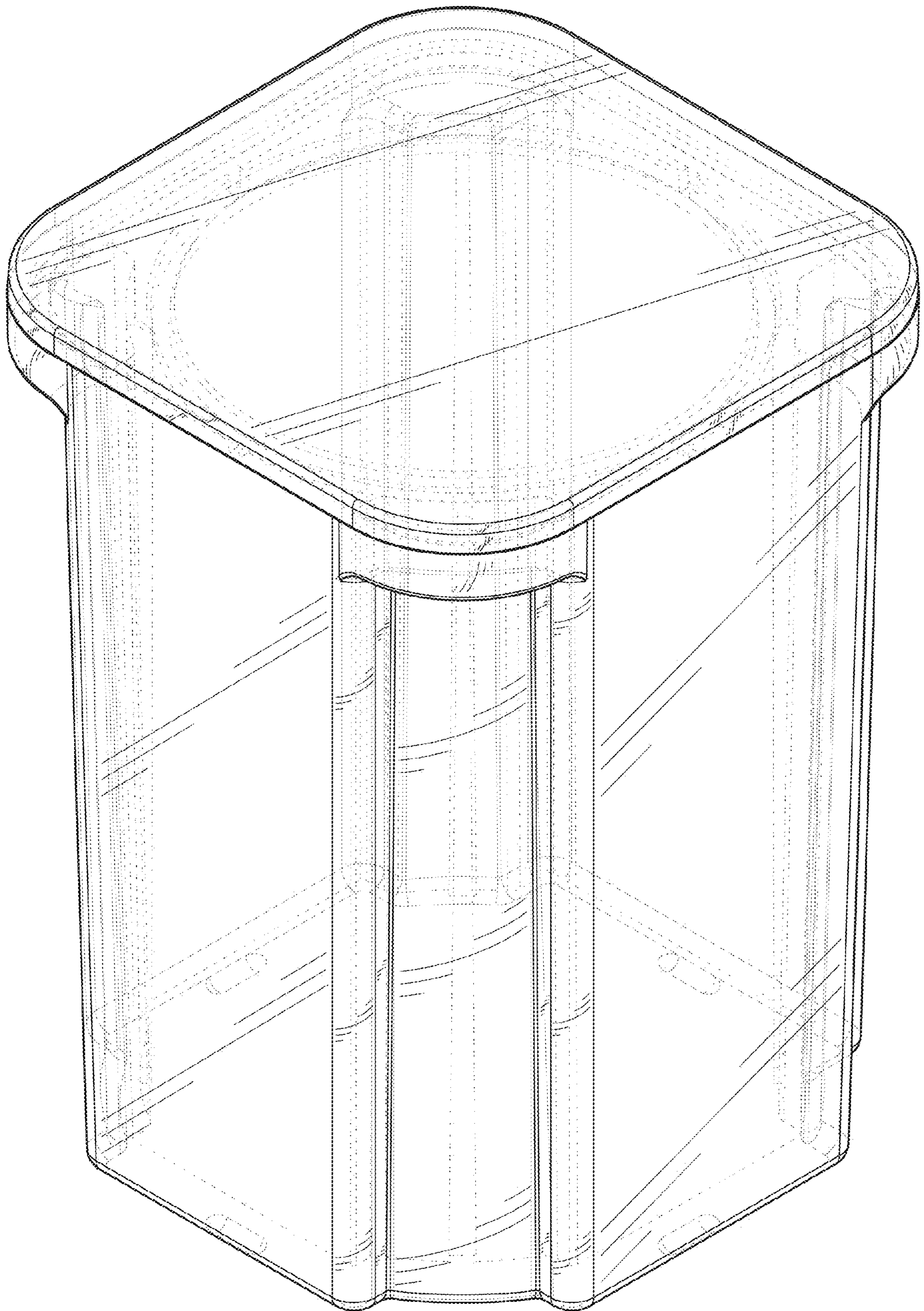


FIG. 29

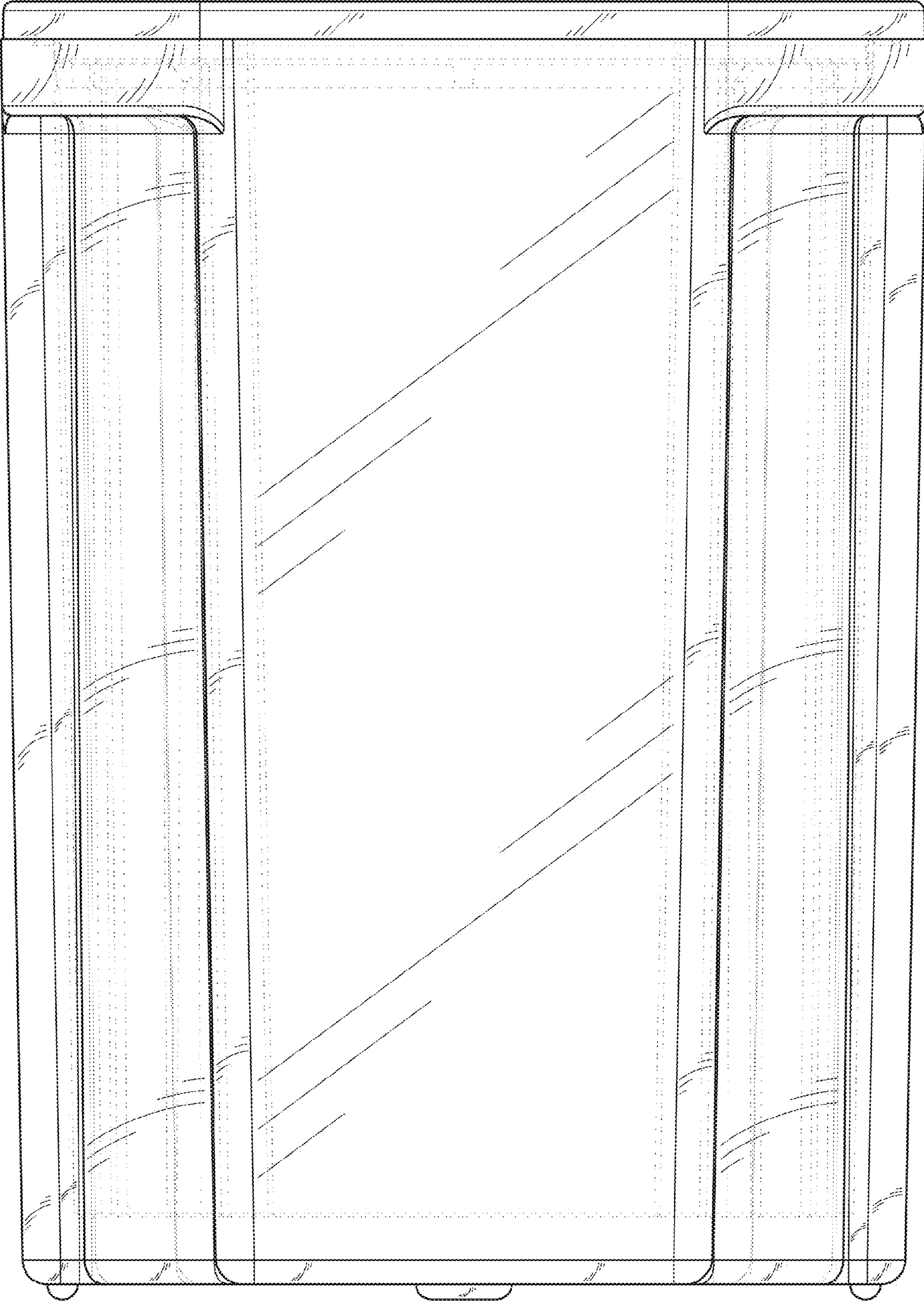


FIG. 30

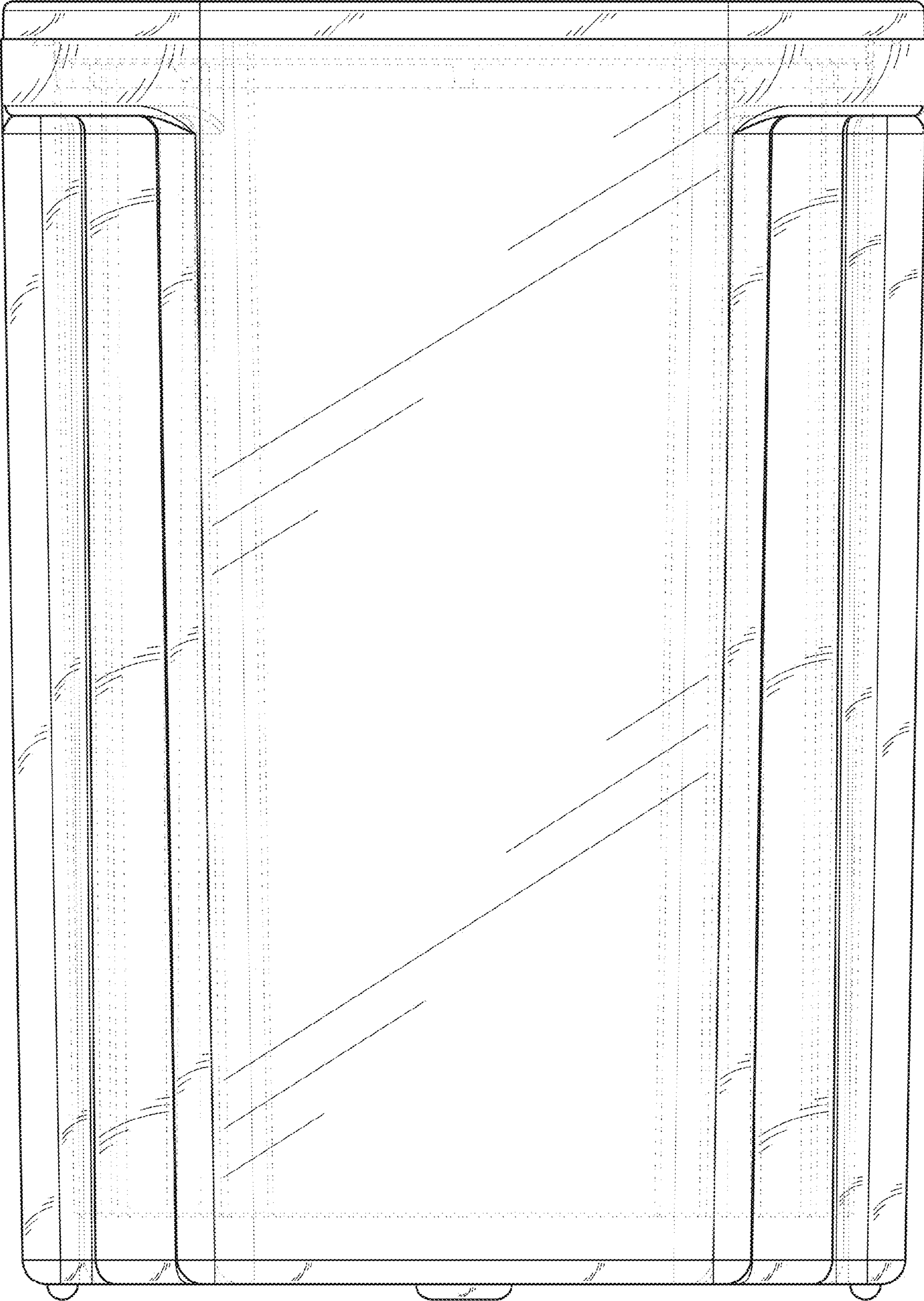


FIG. 31

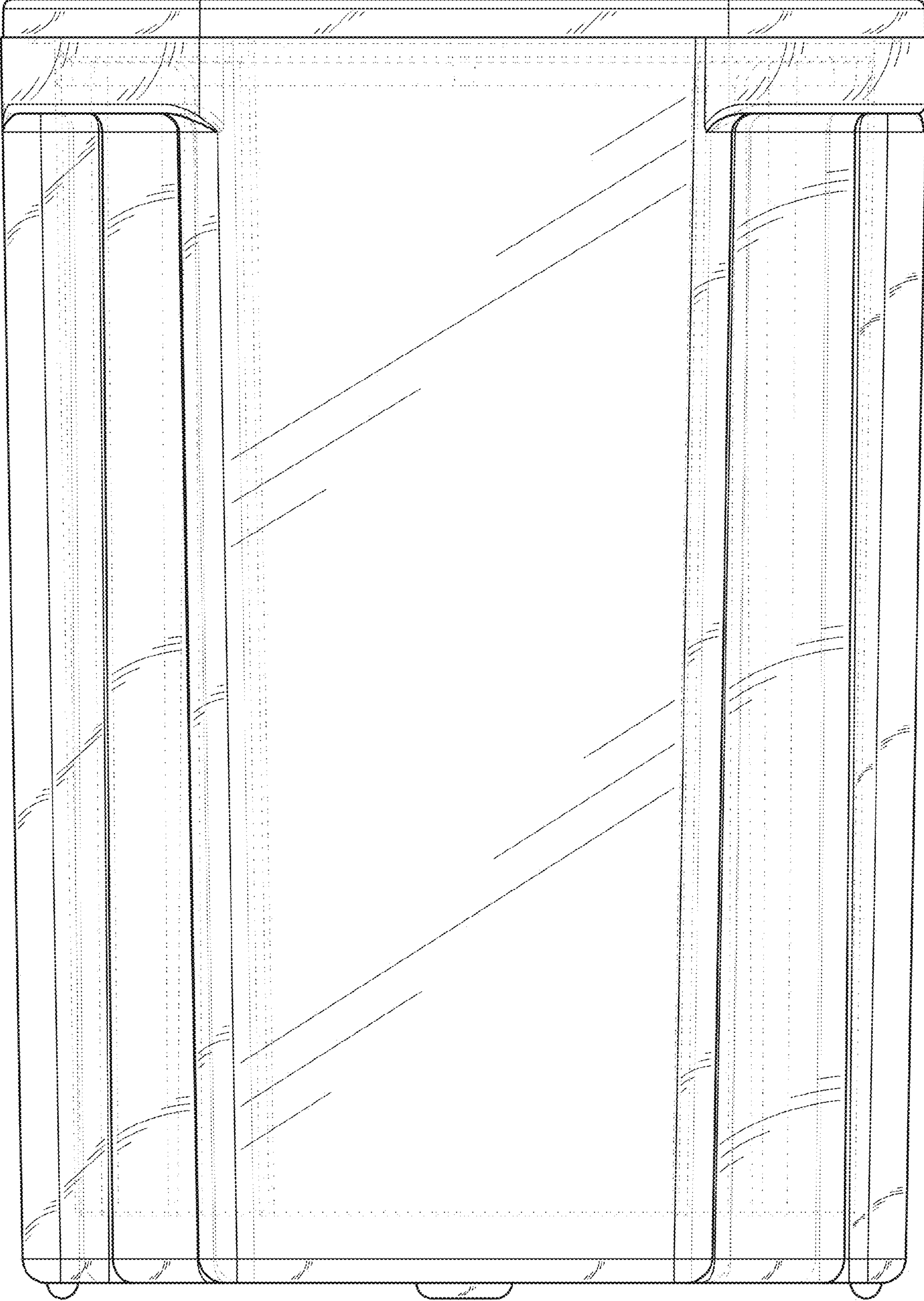


FIG. 32

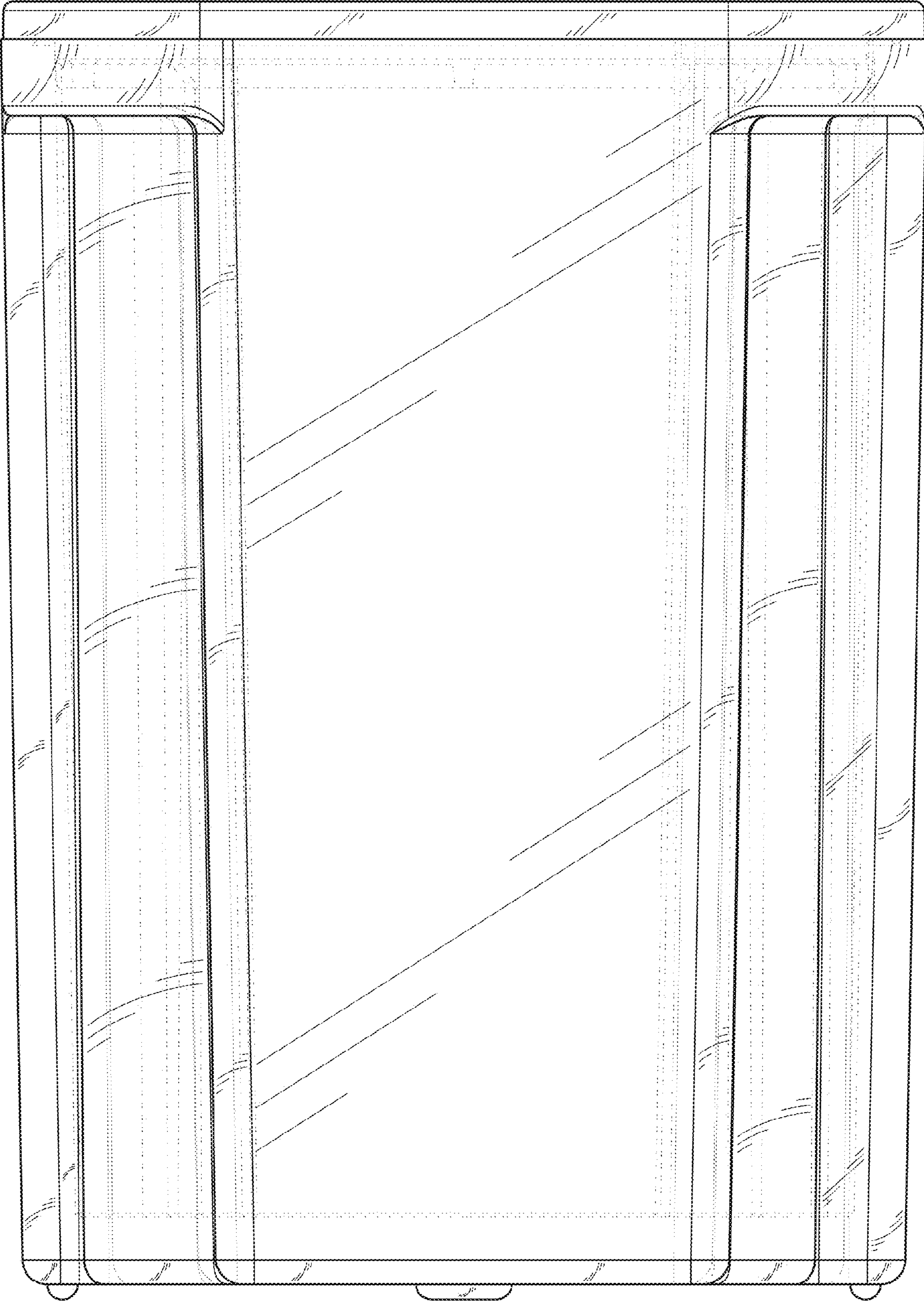


FIG. 33

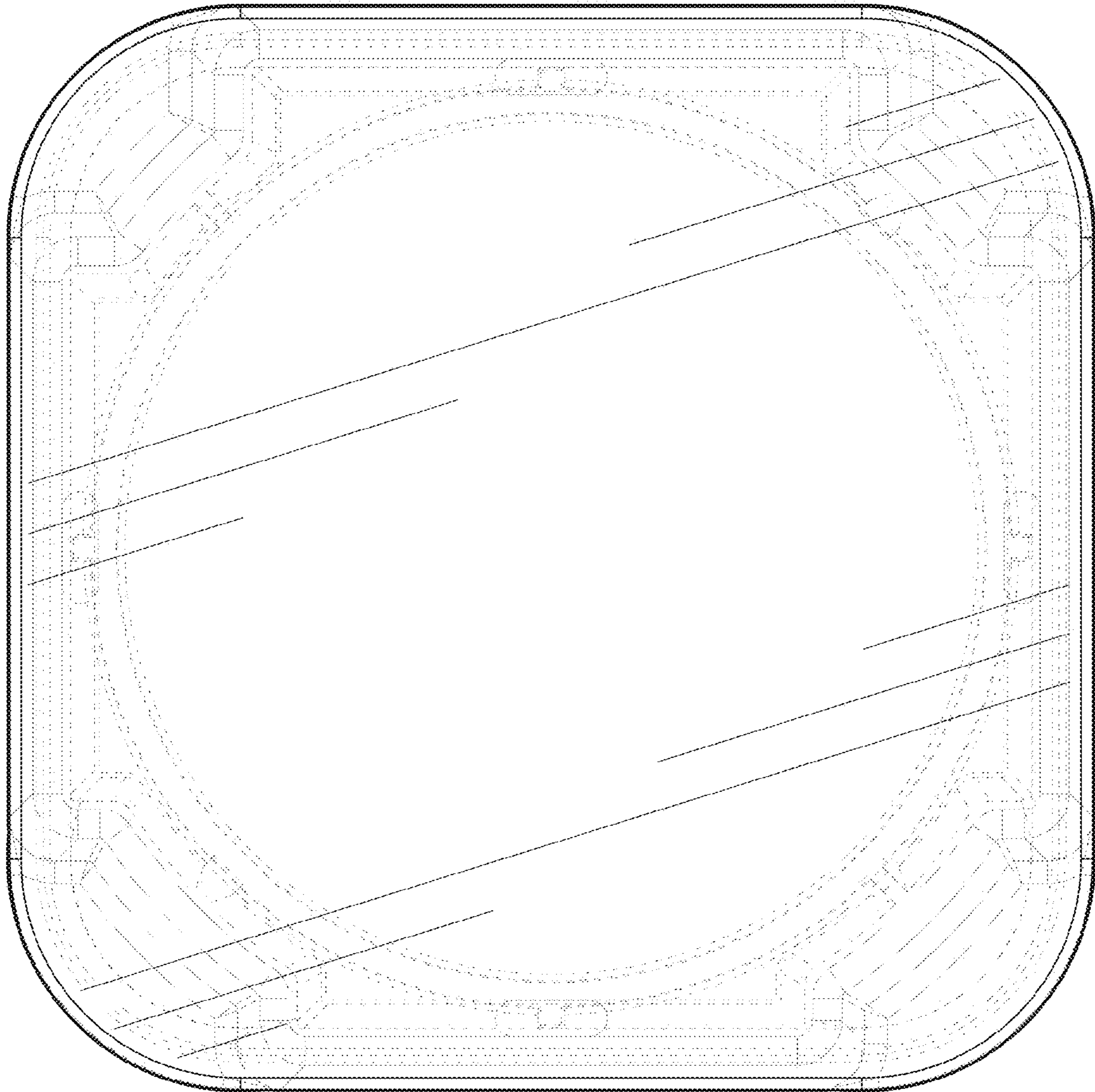


FIG. 34

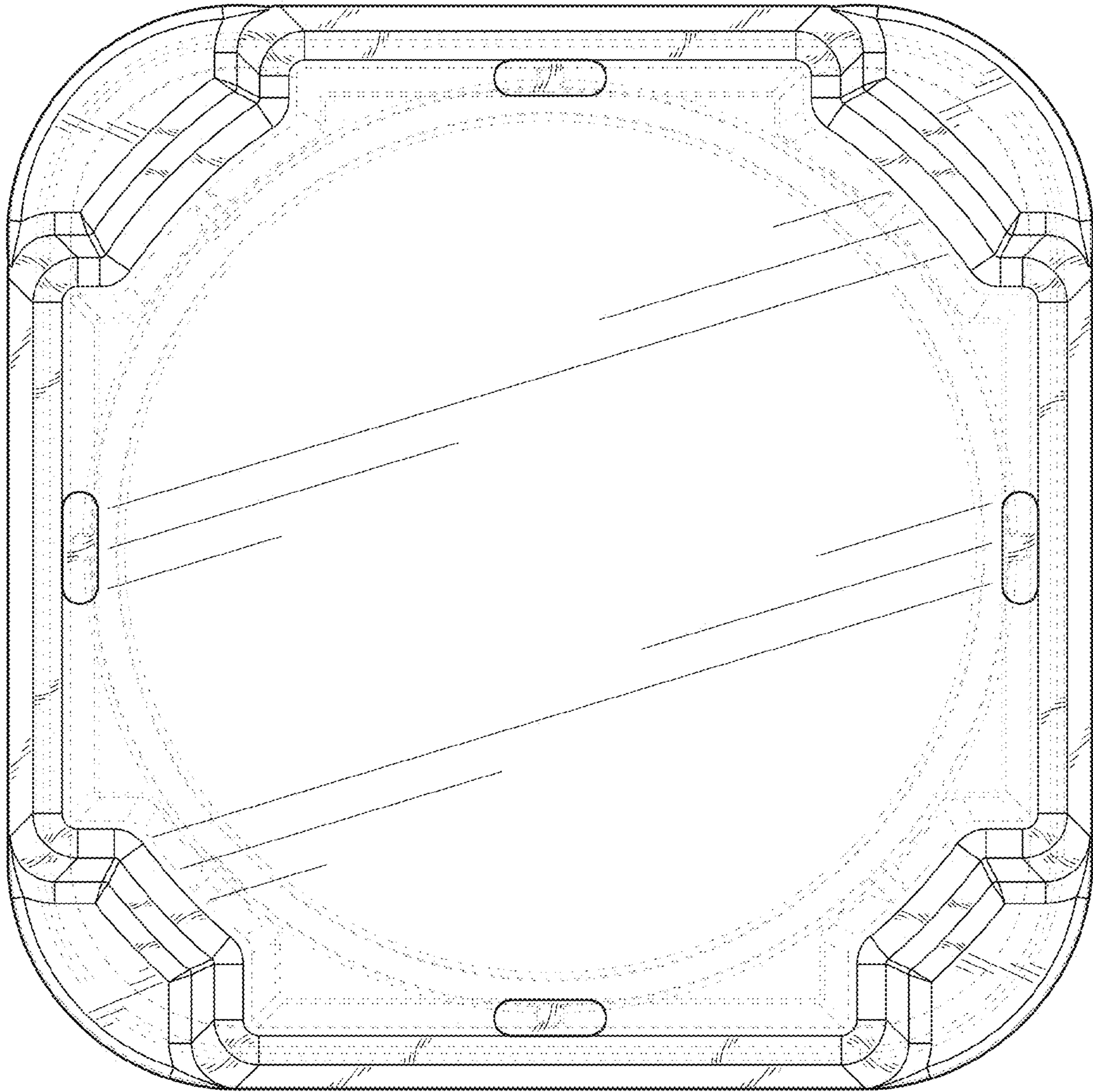


FIG. 35

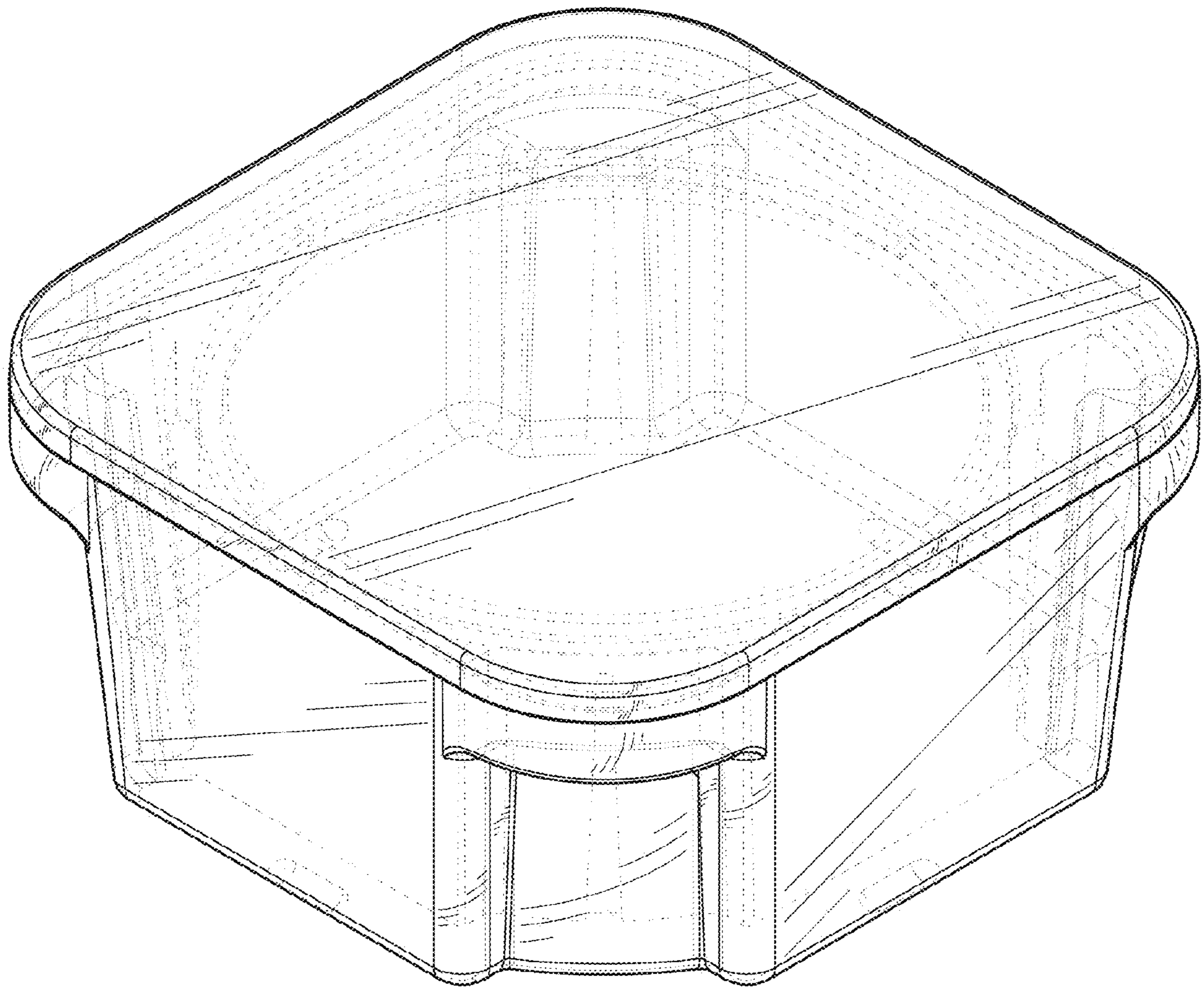


FIG. 36

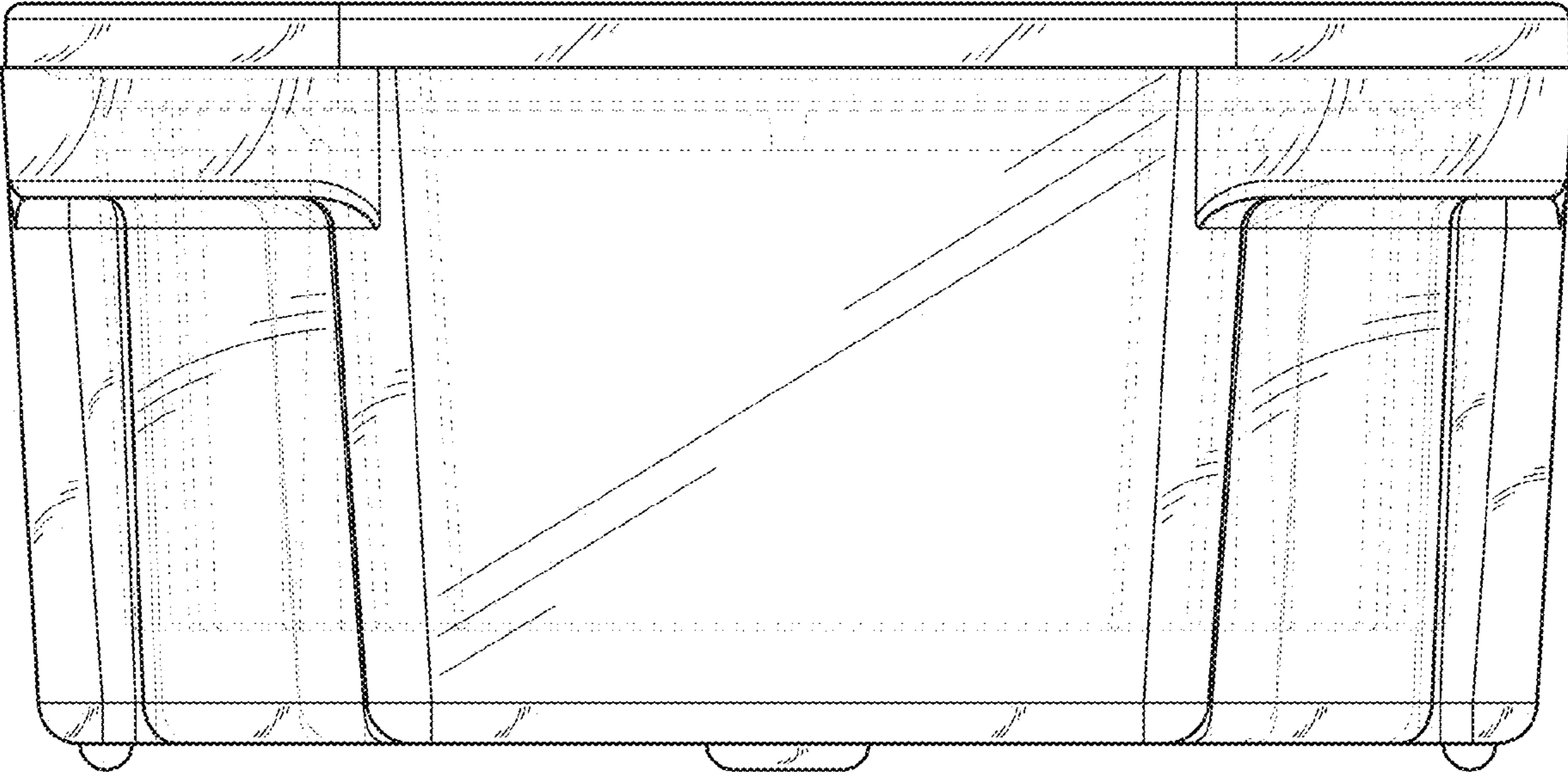


FIG. 37

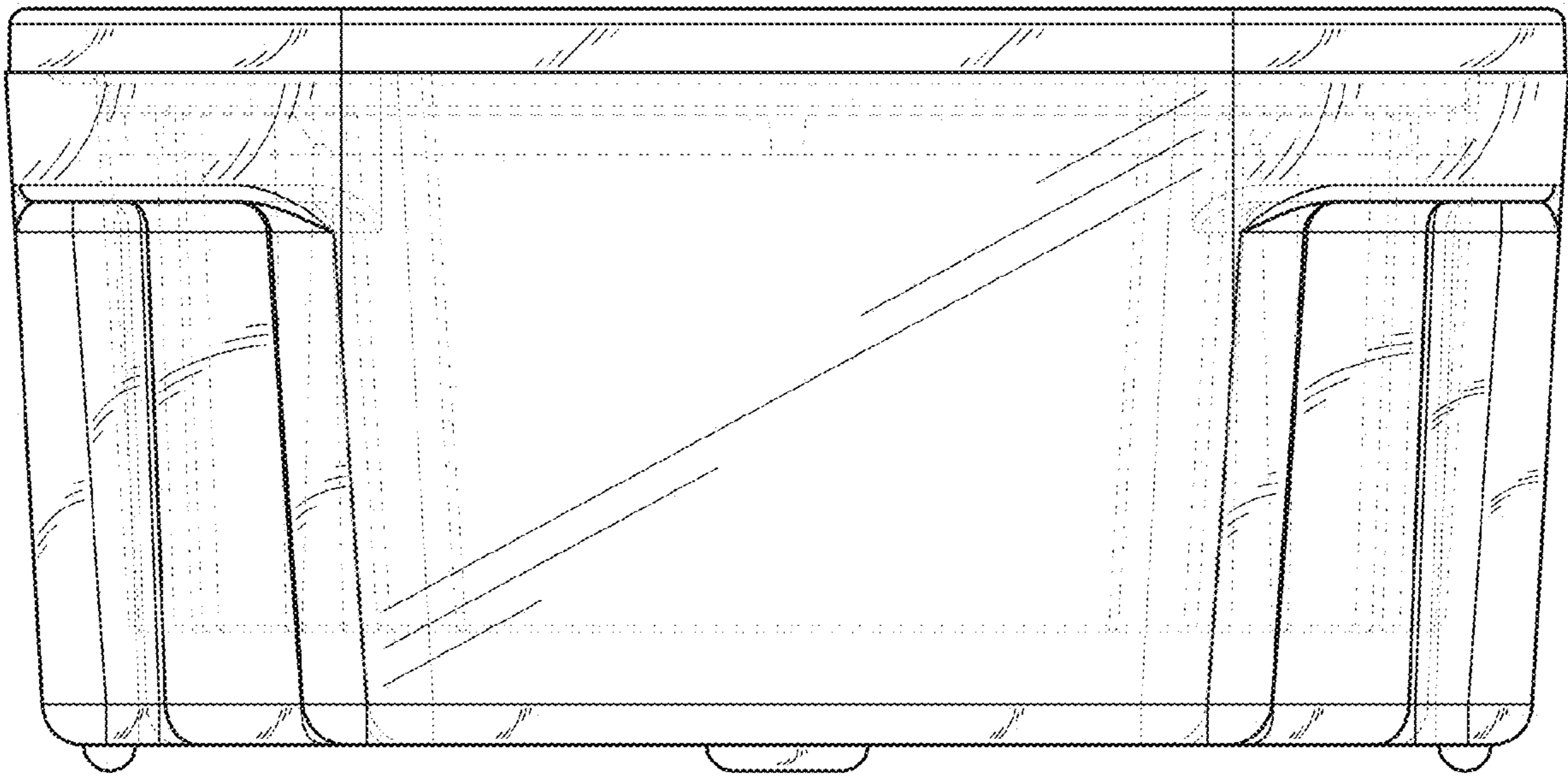


FIG. 38

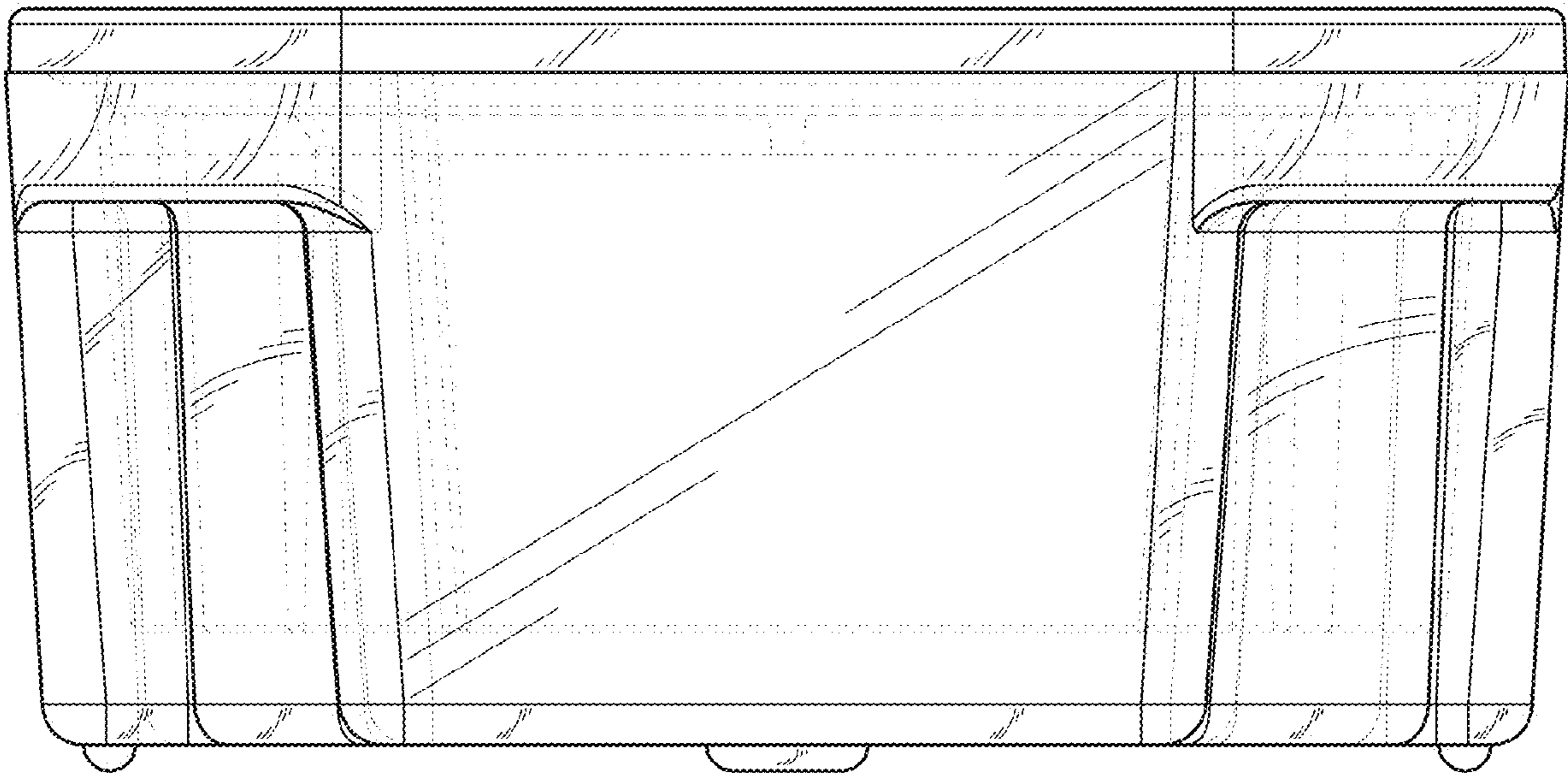


FIG. 39

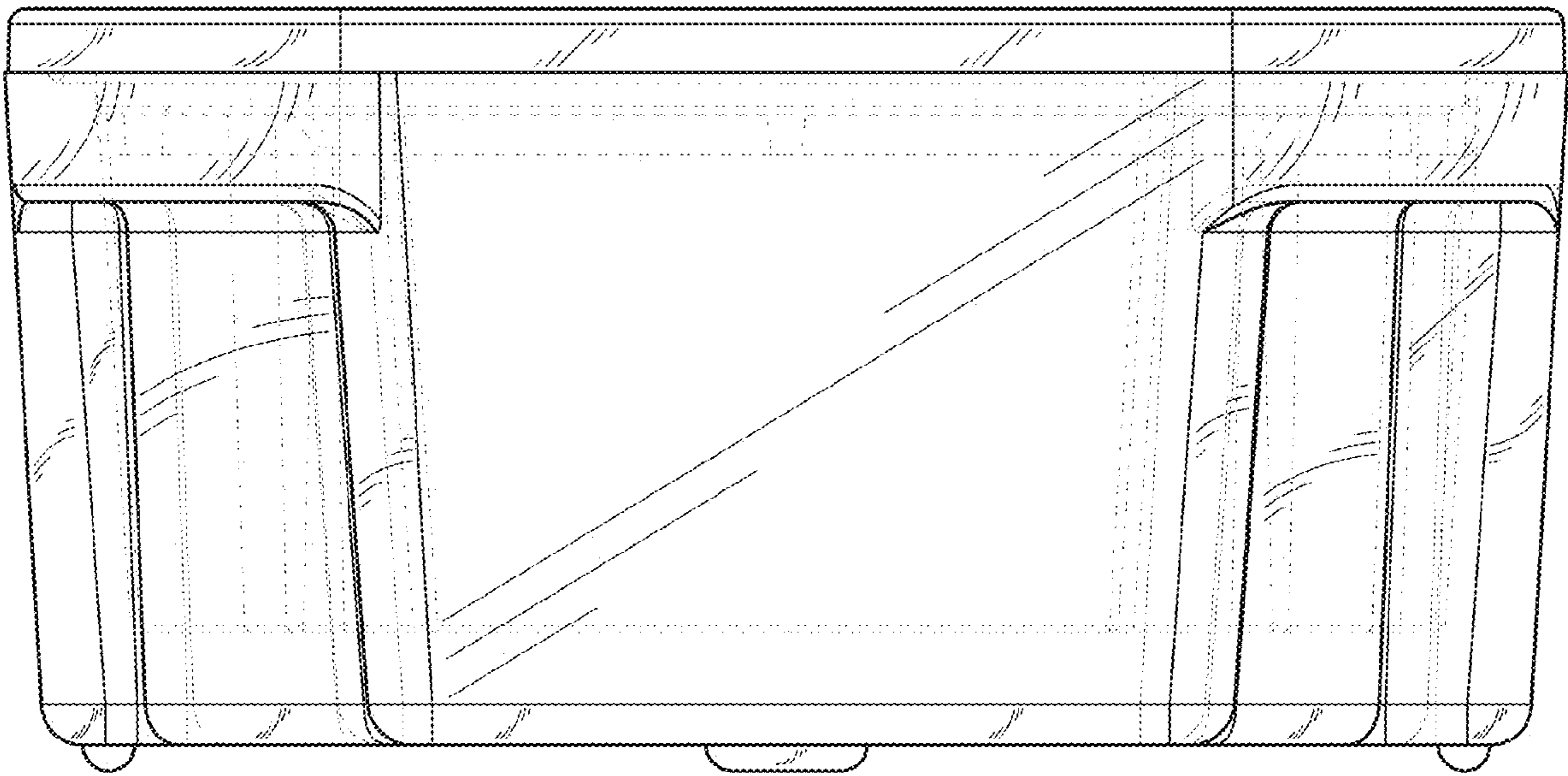


FIG. 40

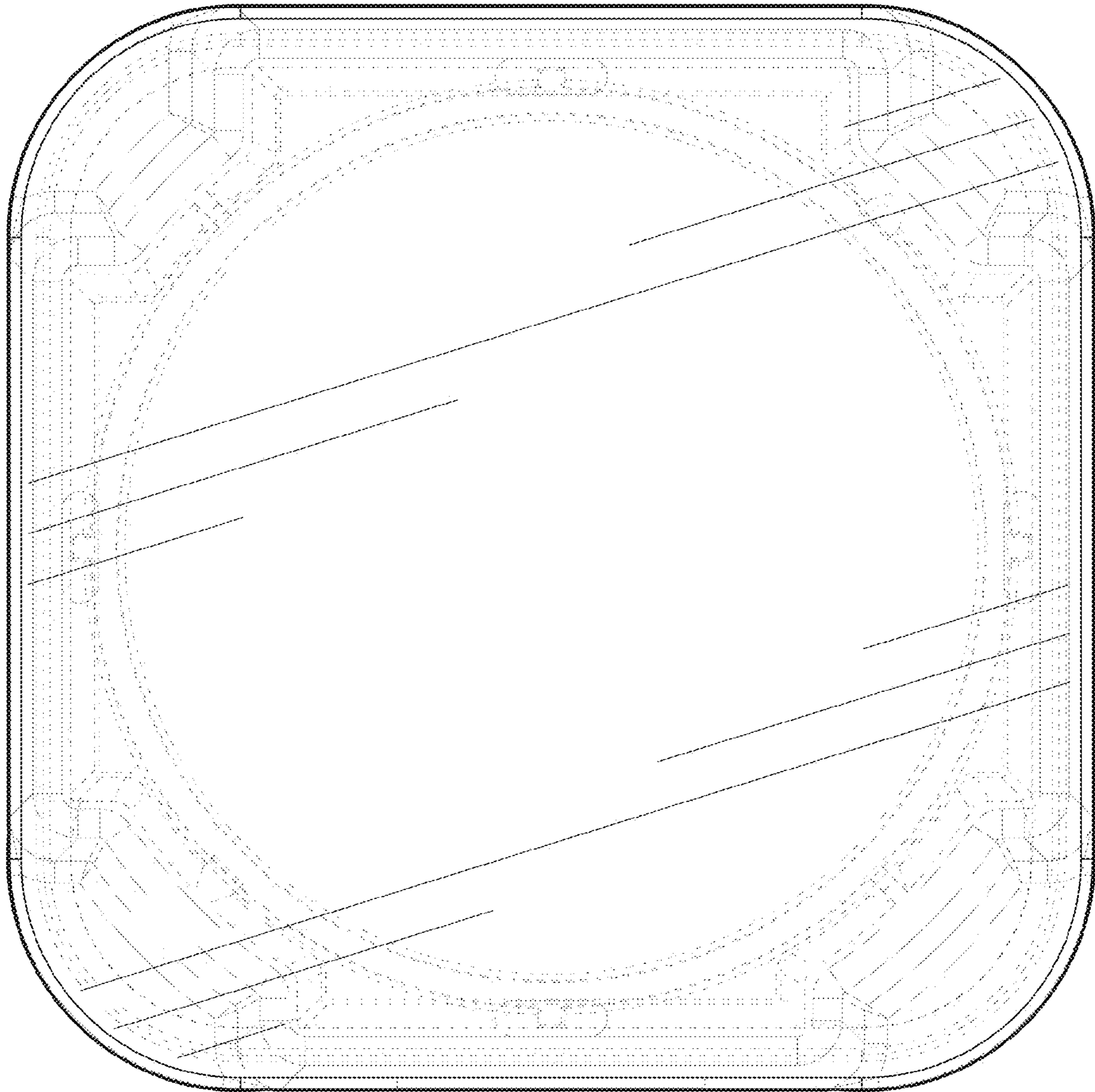


FIG. 41

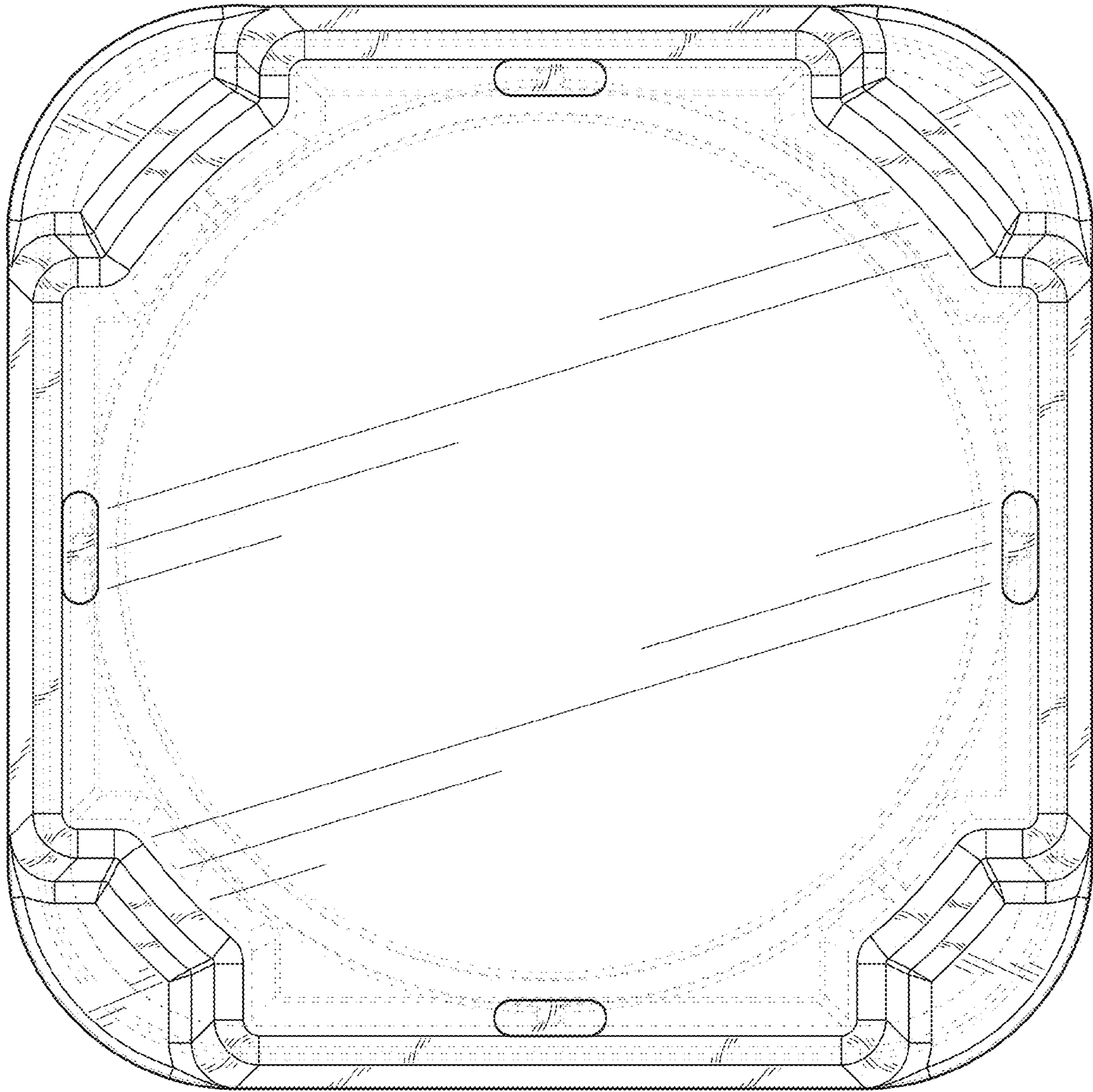


FIG. 42

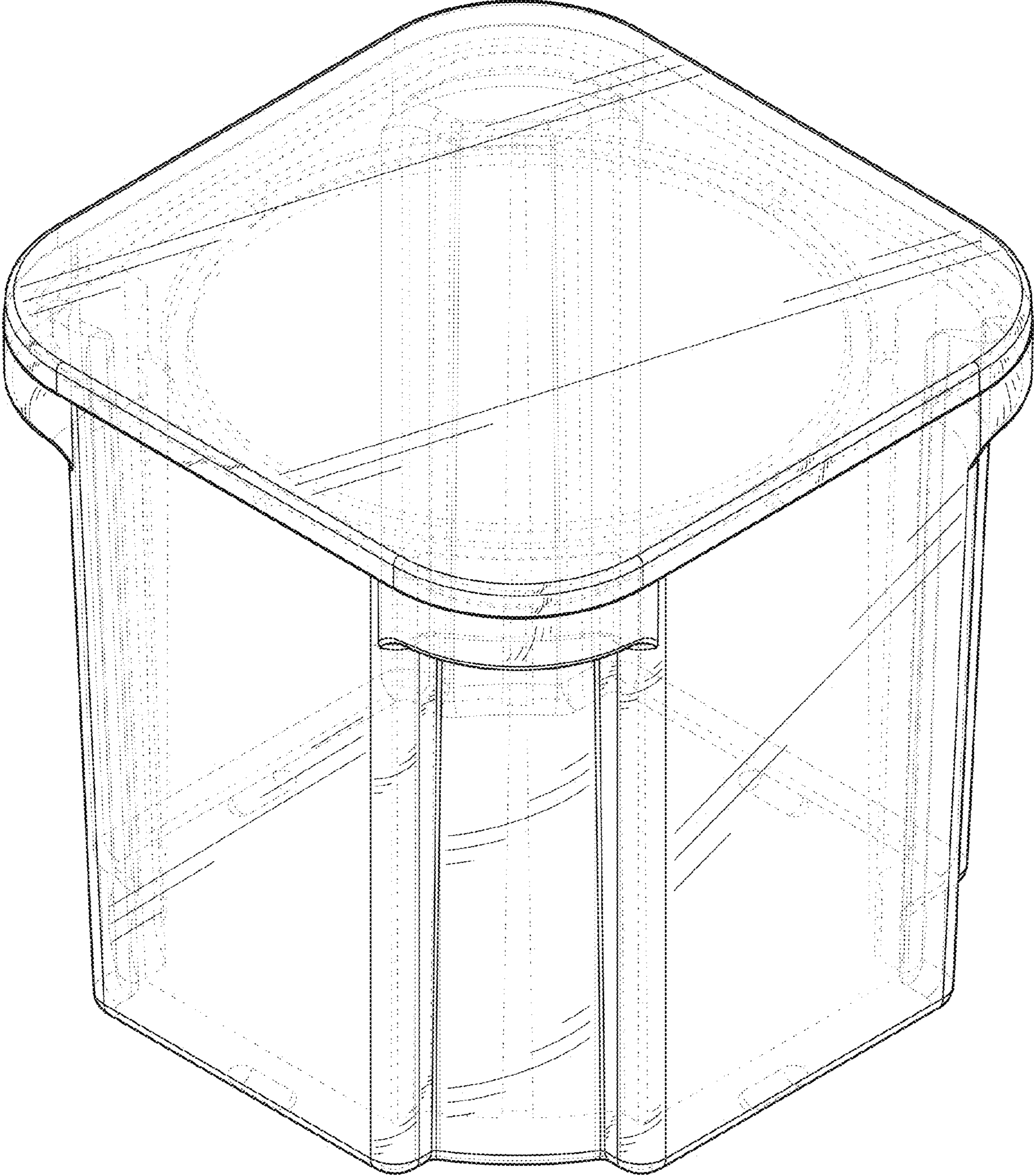


FIG. 43

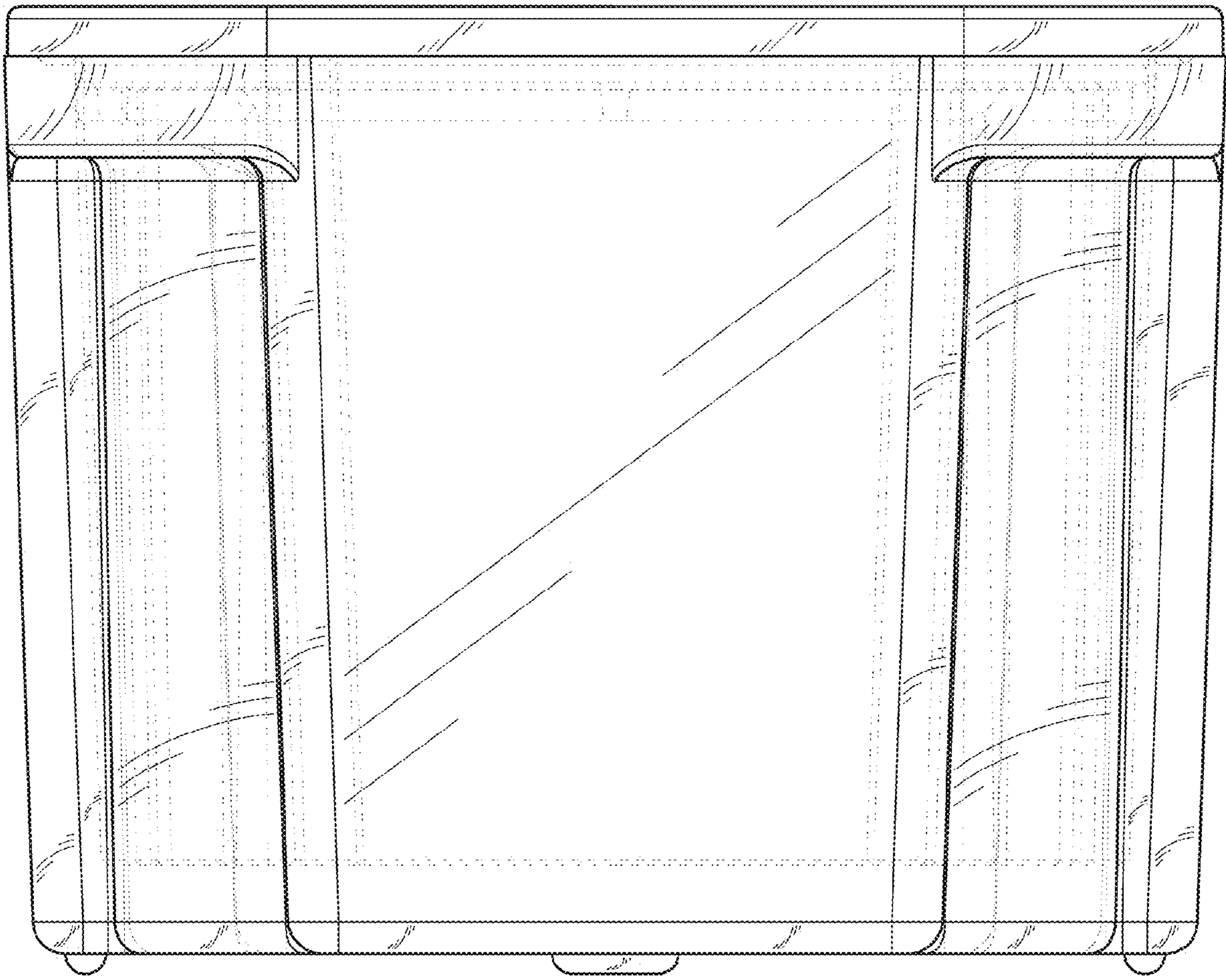


FIG. 44

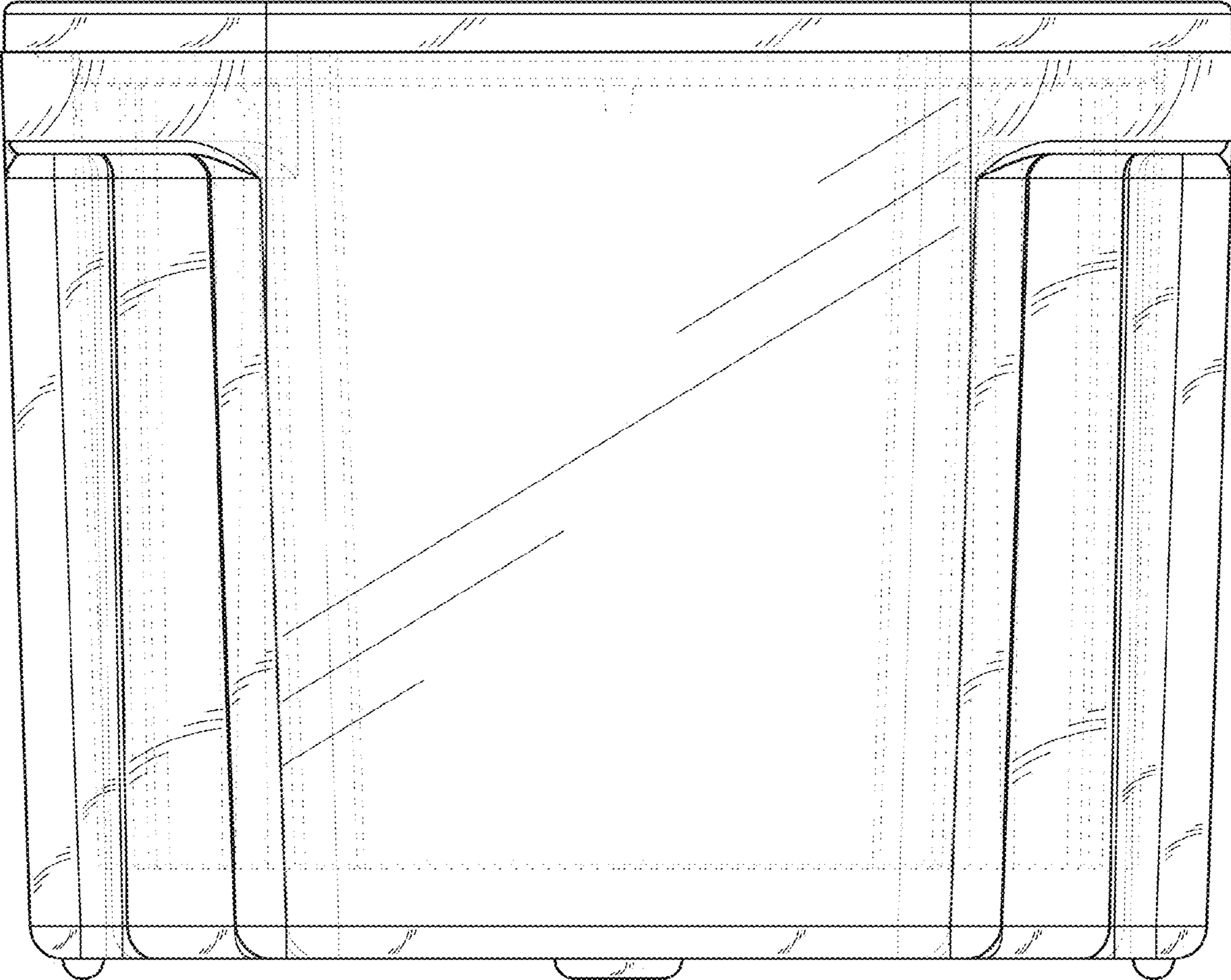


FIG. 45

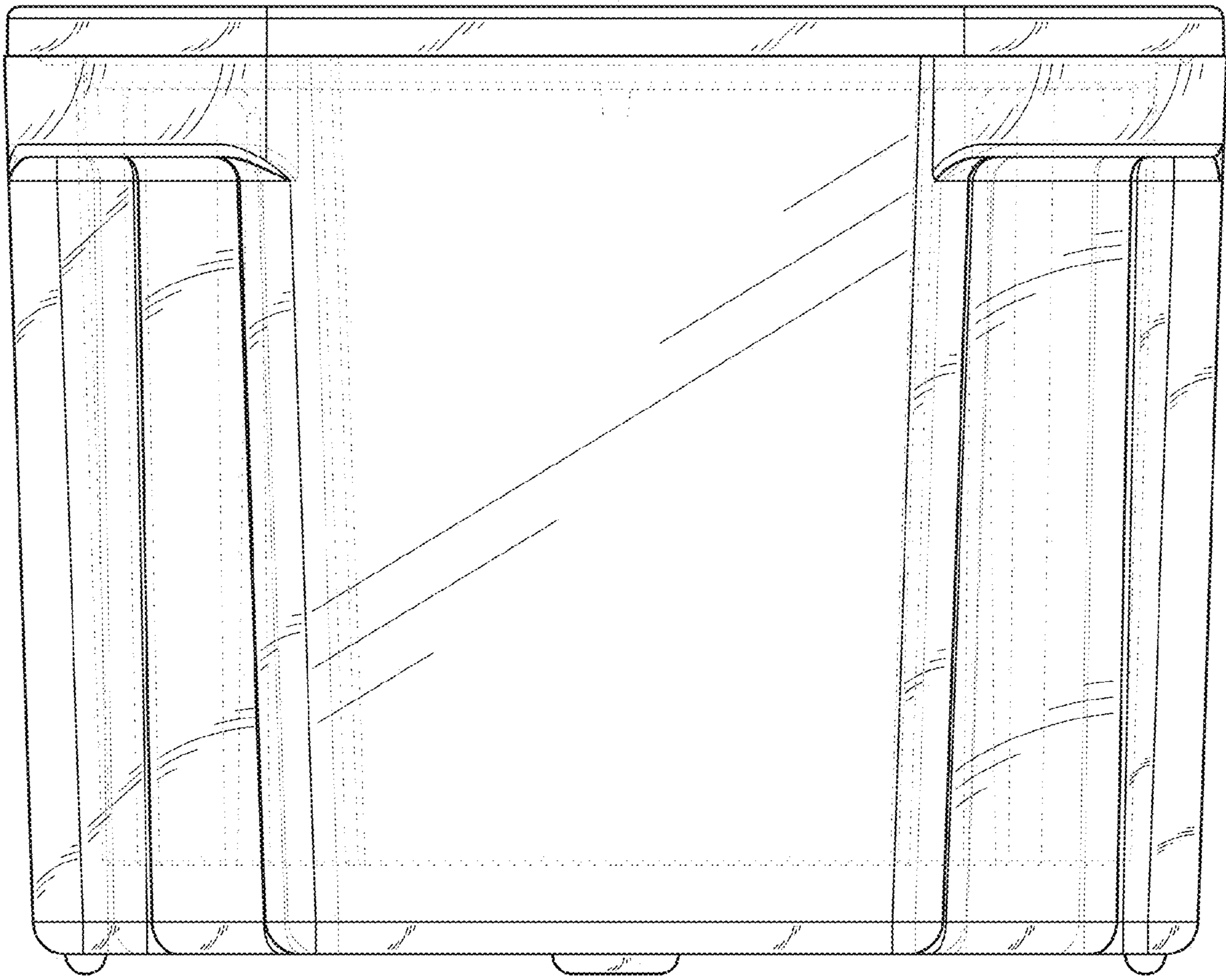


FIG. 46

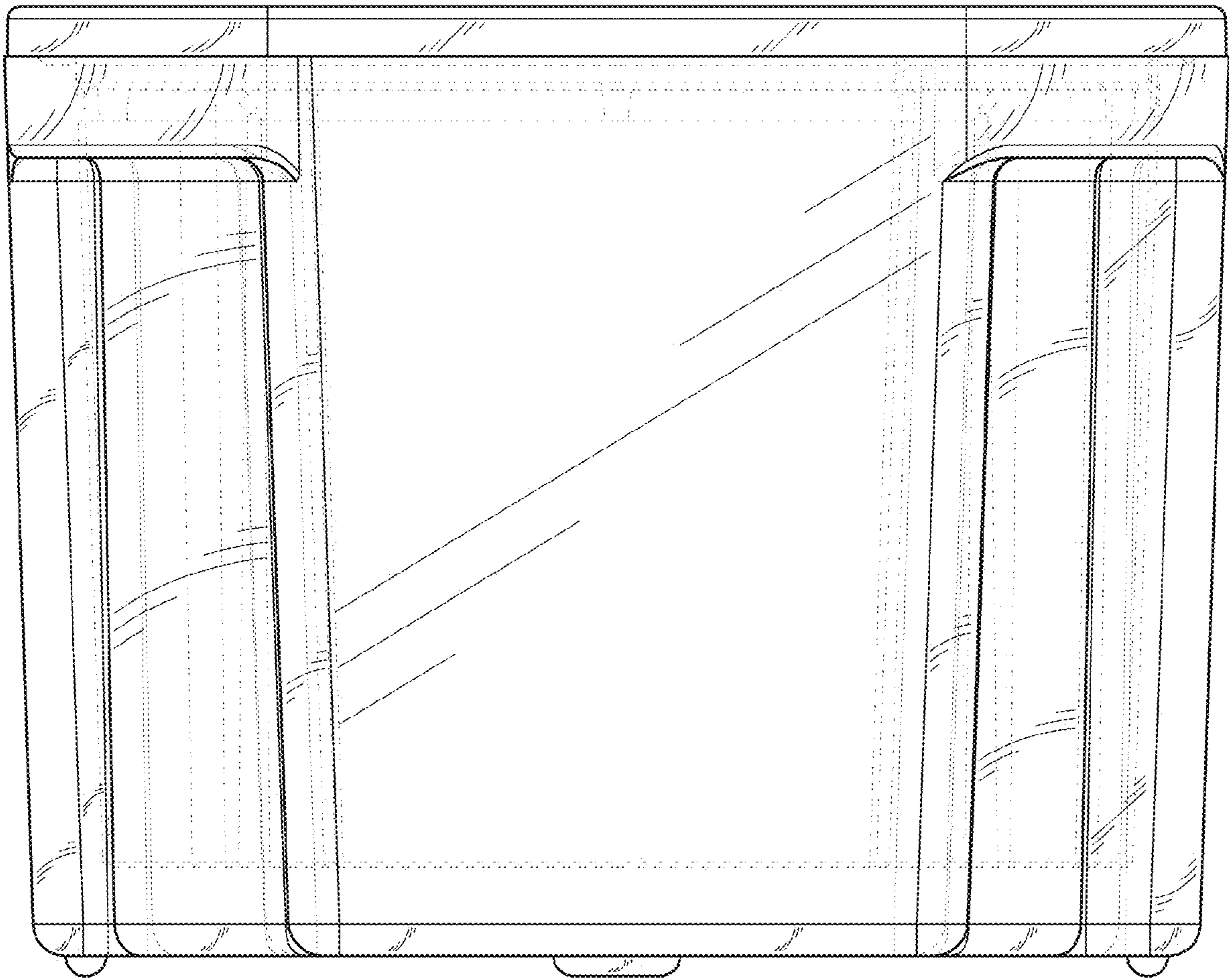


FIG. 47

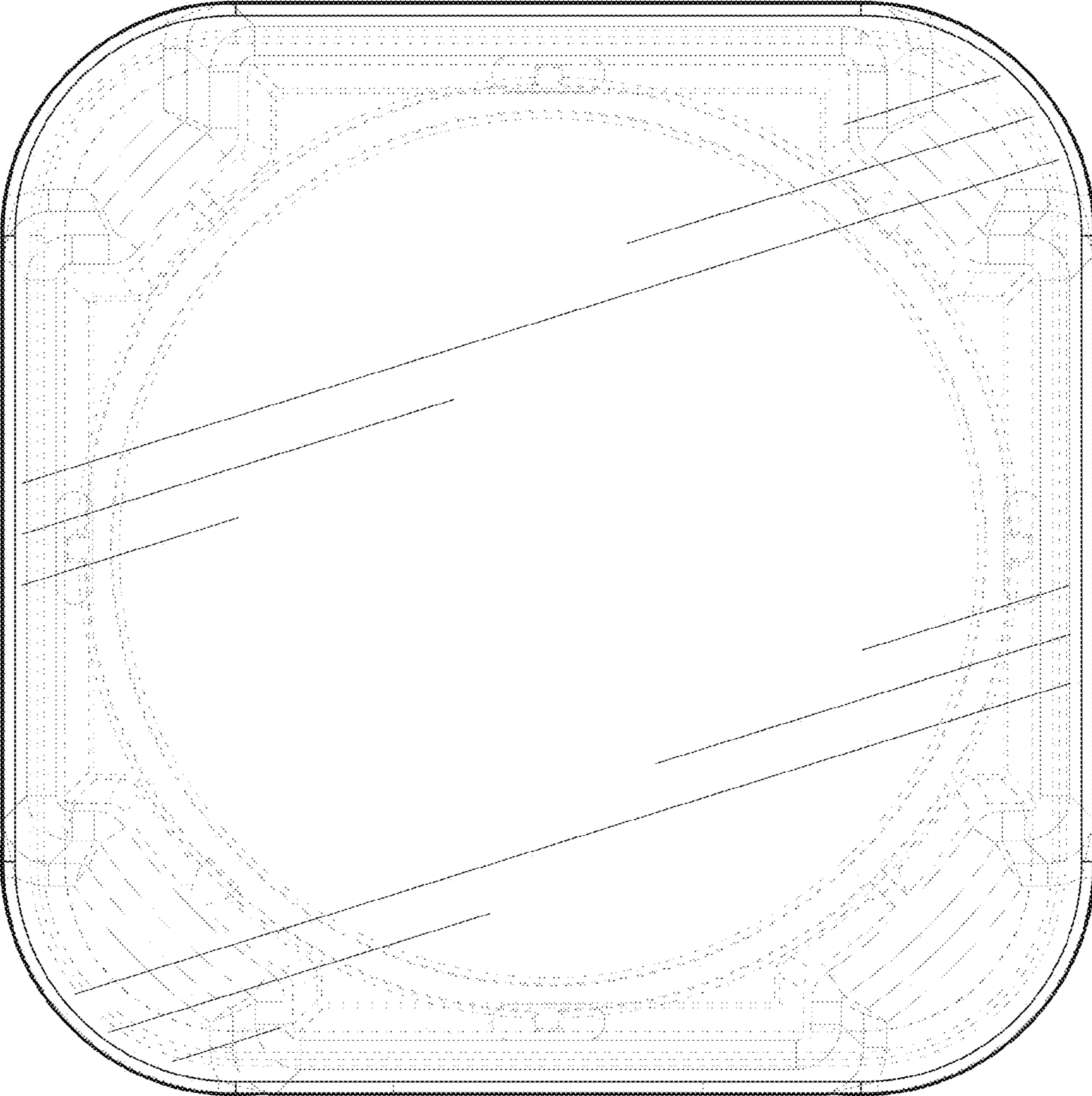


FIG. 48

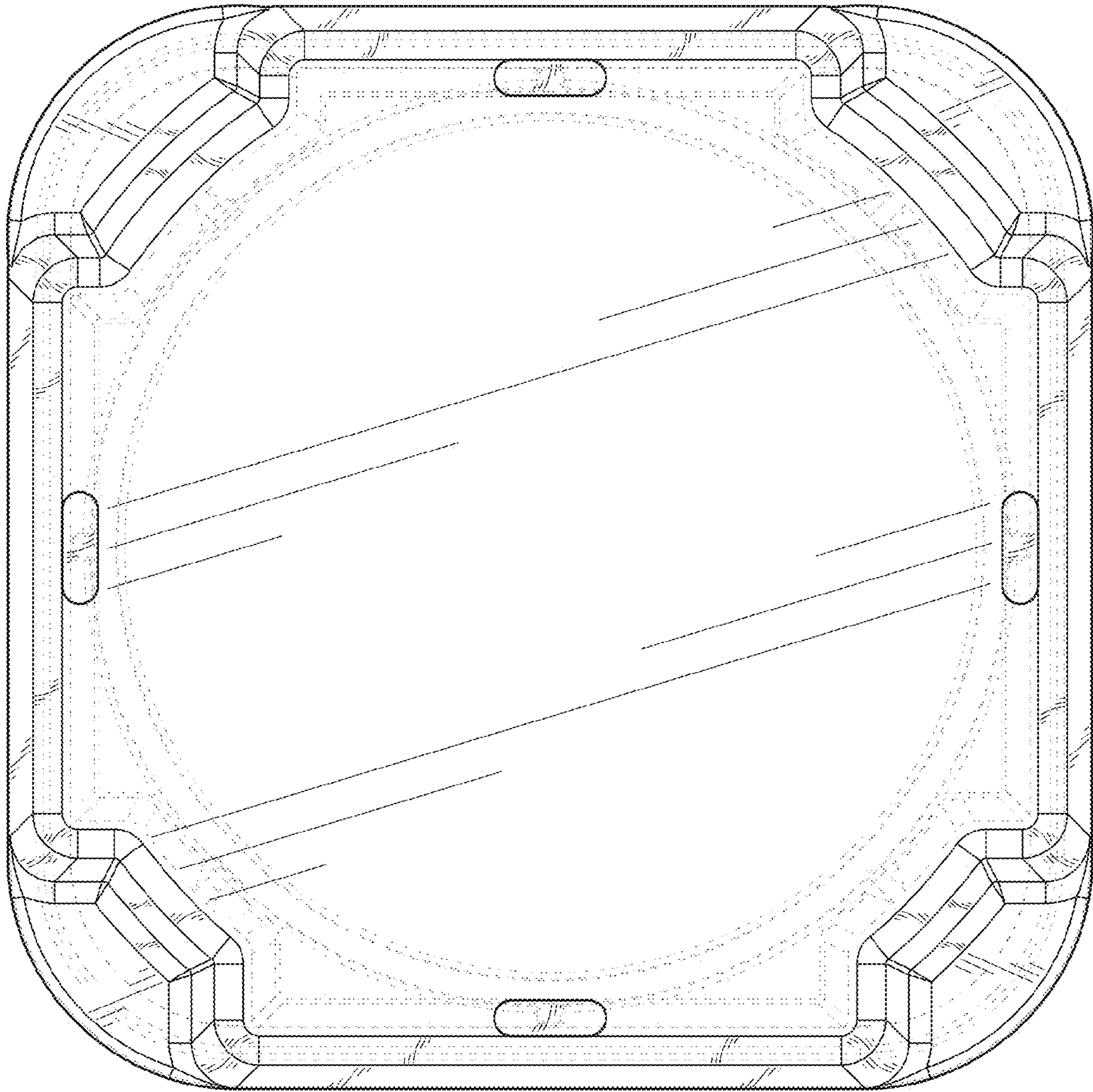


FIG. 49

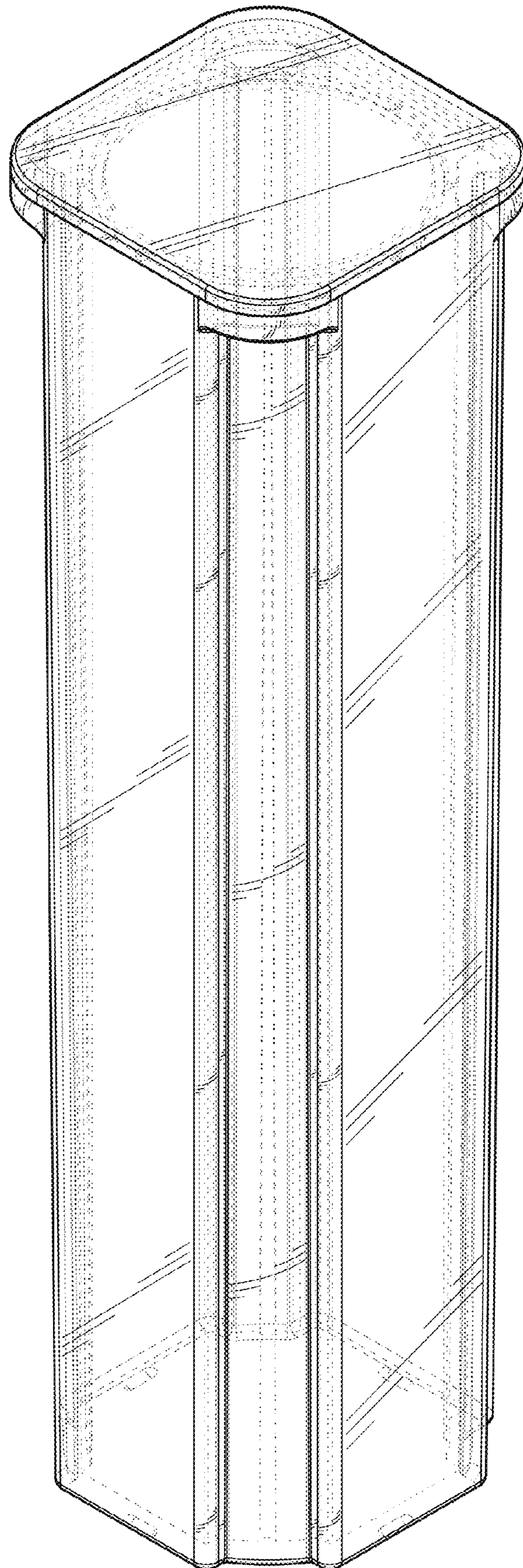


FIG. 50

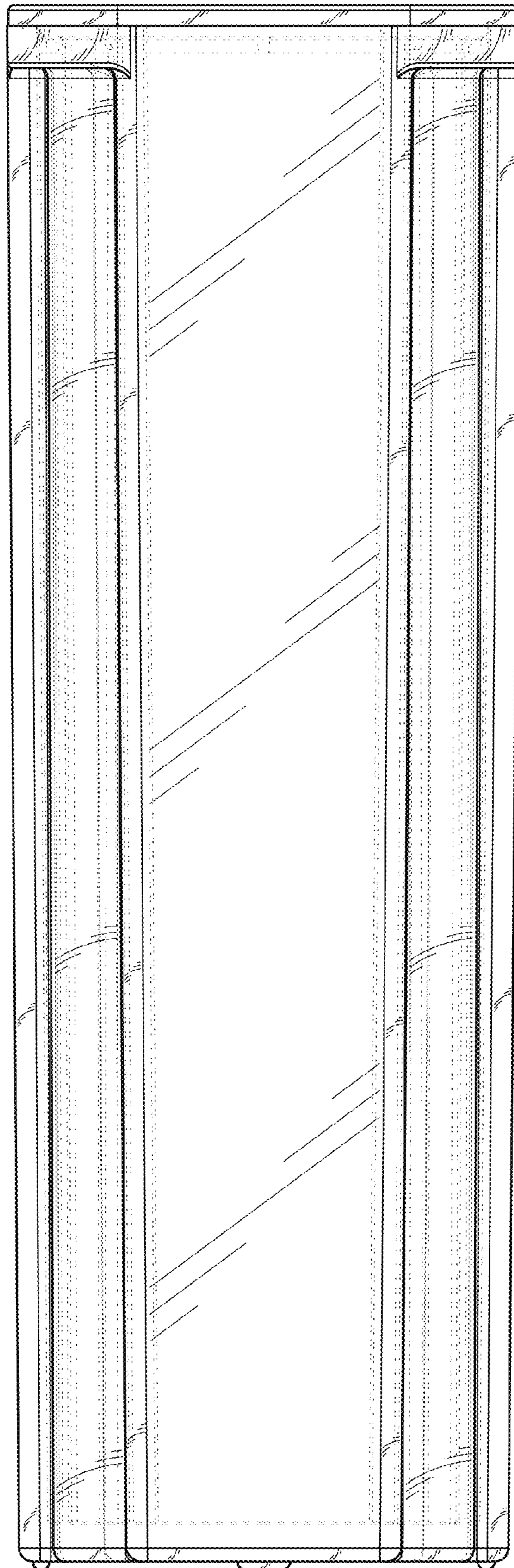


FIG. 51

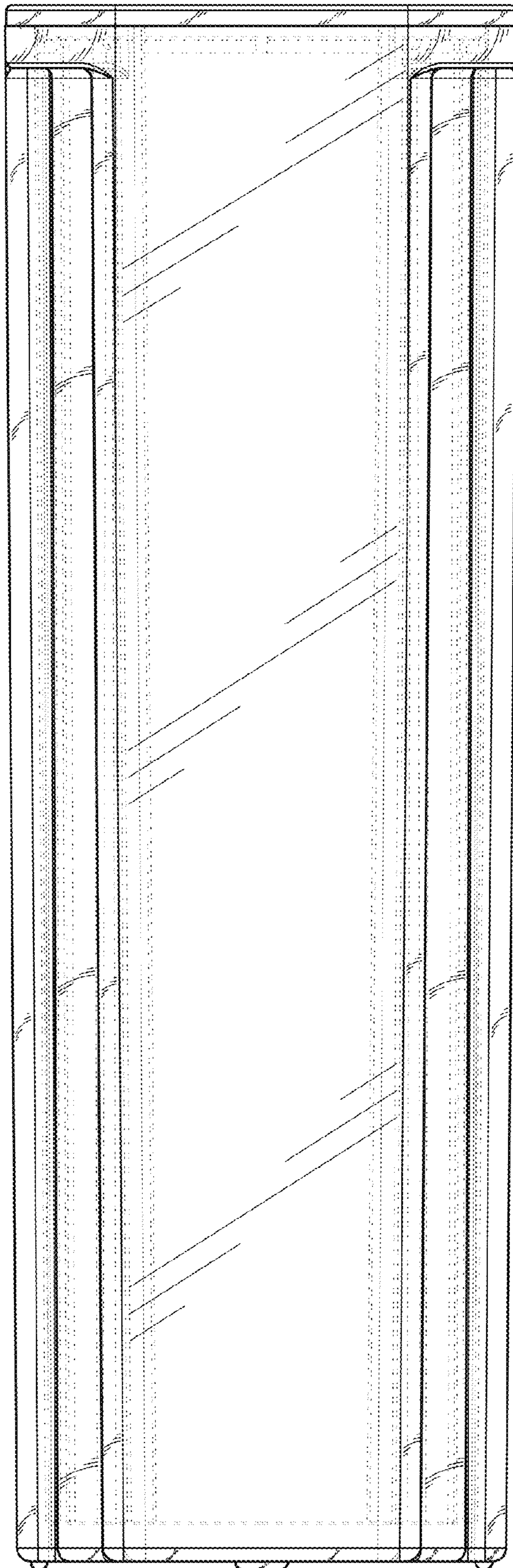


FIG. 52

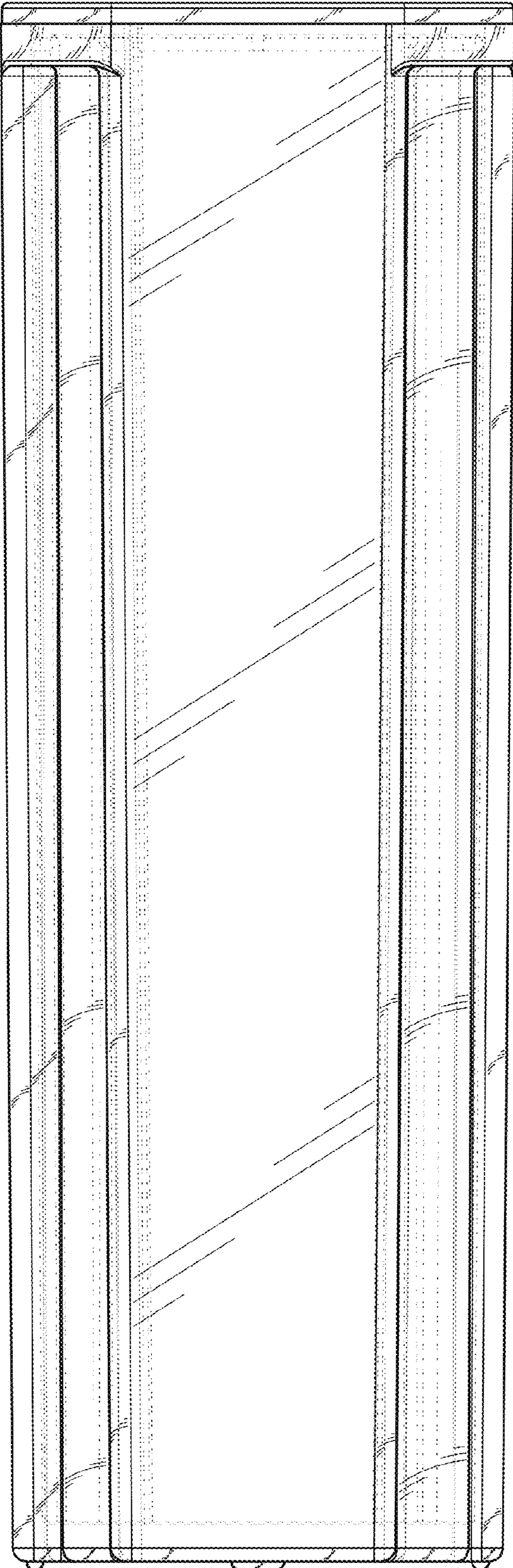


FIG. 53

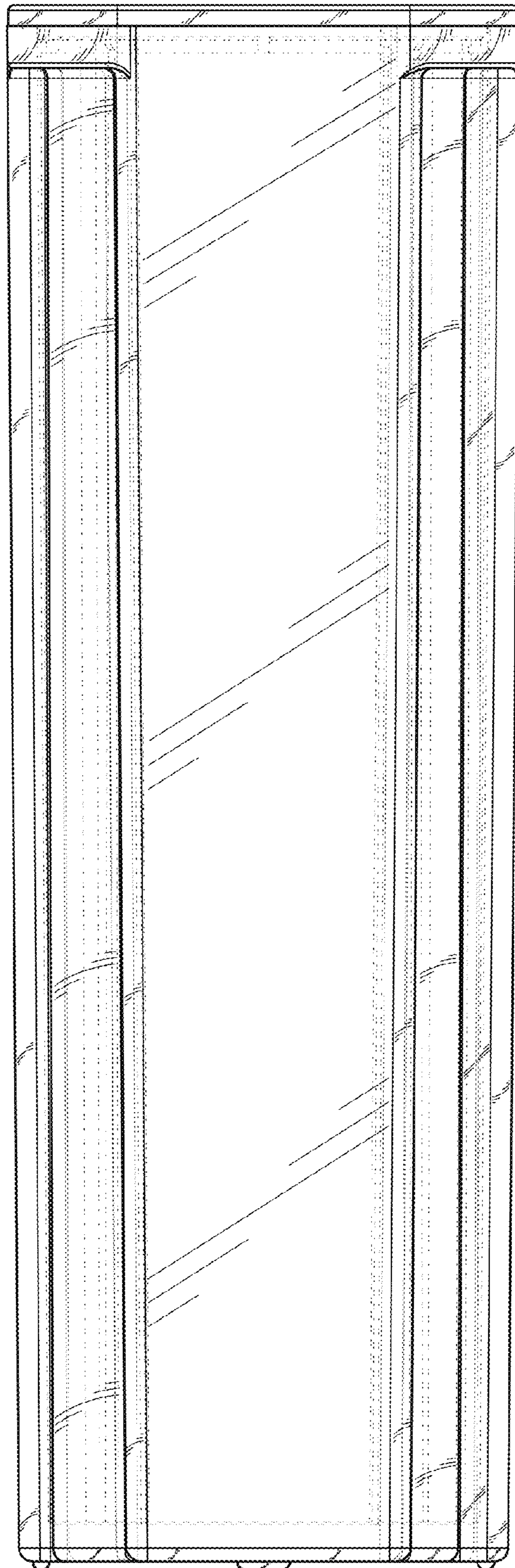


FIG. 54

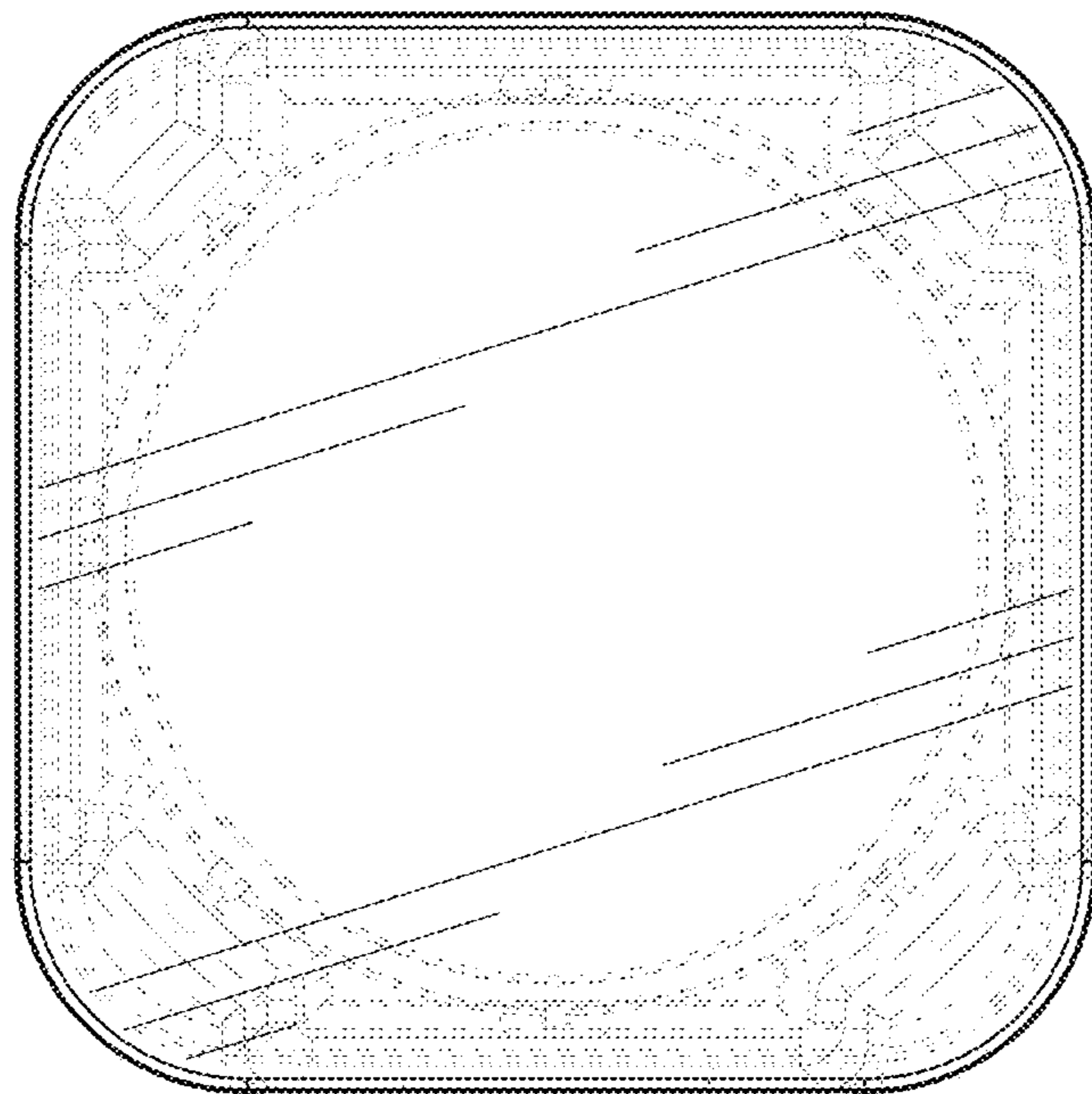


FIG. 55

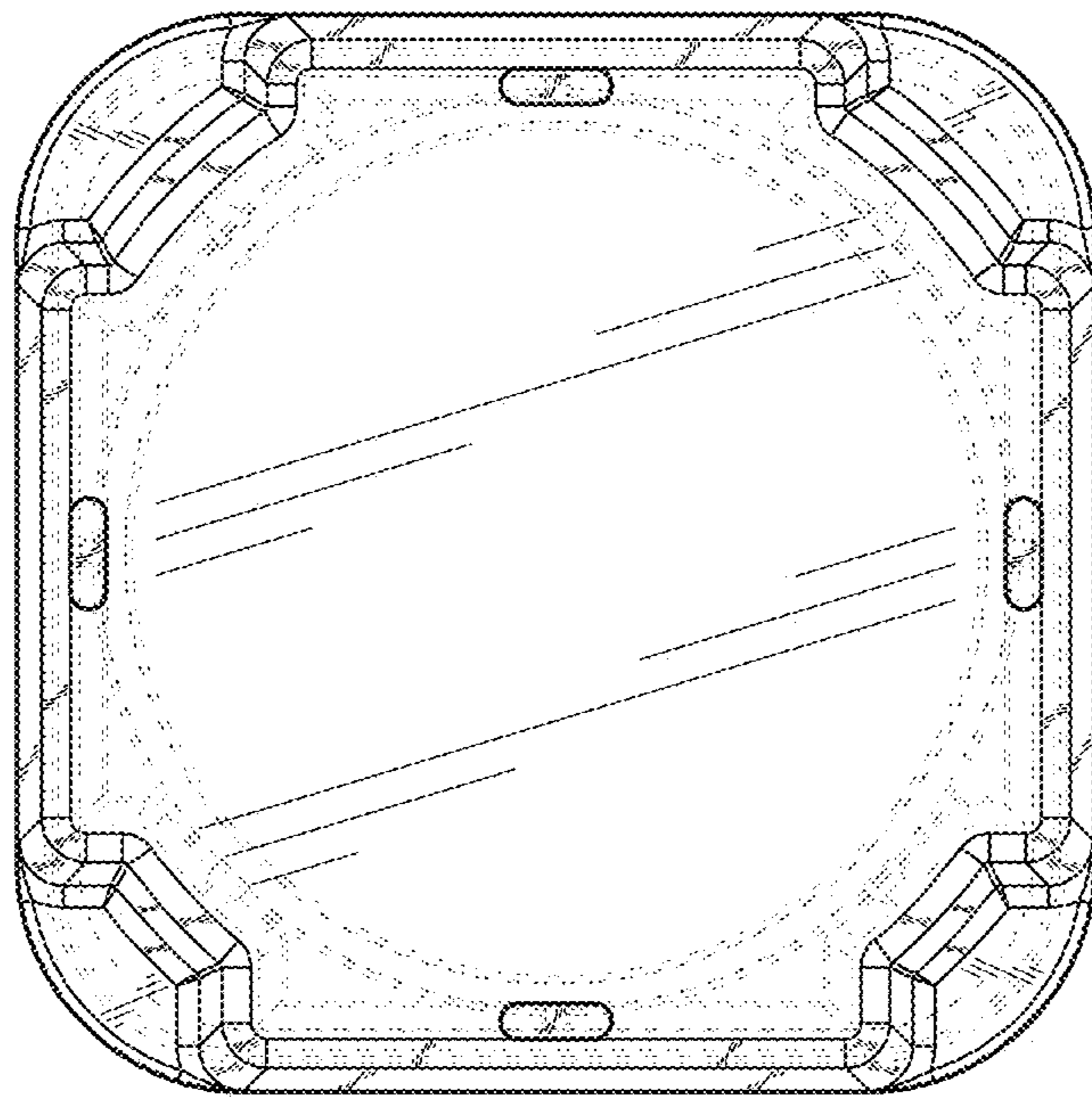


FIG. 56