



US00D896516S

(12) **United States Design Patent**
Seiders et al.

(10) **Patent No.:** **US D896,516 S**
(45) **Date of Patent:** **** Sep. 22, 2020**

(54) **DUFFEL BAG**

(71) Applicant: **YETI Coolers, LLC**, Austin, TX (US)

(72) Inventors: **Roy Joseph Seiders**, Austin, TX (US);
Erik Steven Larson, Austin, TX (US);
Derek G. Sullivan, Austin, TX (US);
Alex Baires, Austin, TX (US); **Jeffrey Charles Munie**, Austin, TX (US)

(73) Assignee: **YETI Coolers, LLC**, Austin, TX (US)

(**) Term: **15 Years**

(21) Appl. No.: **29/695,005**

(22) Filed: **Jun. 14, 2019**

Related U.S. Application Data

(63) Continuation of application No. 29/639,767, filed on Mar. 8, 2018, now Pat. No. Des. 851,400.

(51) **LOC (12) Cl.** **03-01**

(52) **U.S. Cl.**
USPC **D3/289**

(58) **Field of Classification Search**
USPC D3/273, 276, 278, 283, 284, 285, 289,
D3/290, 301, 900, 243, 245, 217, 901,
D3/205; D7/607, 335, 601
CPC .. A45C 11/20; A45C 1/02; A45C 3/04; A45C
5/005

See application file for complete search history.

(56) **References Cited**

U.S. PATENT DOCUMENTS

2,228,066 A 1/1941 Tashbook
3,019,952 A 2/1962 Brewster
3,254,816 A 6/1966 Gray
3,802,613 A 4/1974 Droeger
4,210,186 A 7/1980 Belenson
4,273,274 A 6/1981 Freistadt

4,334,601 A 6/1982 Davis
D269,738 S 7/1983 Stark
D281,649 S 12/1985 Bomes et al.
D284,425 S 7/1986 Allen
4,805,748 A 2/1989 Gerch
4,830,154 A 5/1989 Gerch et al.

(Continued)

FOREIGN PATENT DOCUMENTS

CA 2300014 A1 8/2001
CA 2327764 A1 6/2002

(Continued)

OTHER PUBLICATIONS

Amazon, "Seattle Sports FrostPak Soft Cooler", First reviewed Jun. 17, 2014, Accessed Jan. 31, 2016. (<https://www.amazon.com/Seattle-Sports-FrostPak-Soft-Cooler/dp/BOOLGZ28FI>).

(Continued)

Primary Examiner — April Rivas

(74) *Attorney, Agent, or Firm* — Banner & Witcoff, Ltd.

(57) **CLAIM**

The ornamental design for a duffel bag, as shown and described.

DESCRIPTION

FIG. 1 is a top, front, right perspective view of a duffel bag showing our new design;
FIG. 2 is a front view thereof;
FIG. 3 is a rear view thereof;
FIG. 4 is a right side view thereof;
FIG. 5 is a left side view thereof;
FIG. 6 is a top view thereof; and,
FIG. 7 is a bottom view thereof.

The broken lines illustrate portions of the duffel bag and form no part of the claimed design.

1 Claim, 6 Drawing Sheets



(56)

References Cited

U.S. PATENT DOCUMENTS

D304,264 S 10/1989 Peregrine et al.
 D307,668 S 5/1990 Young
 5,005,679 A 4/1991 Hjelle
 5,007,250 A 4/1991 Musielak
 D328,389 S 8/1992 Pardo
 5,140,833 A 8/1992 Whalen
 5,377,887 A 1/1995 Garcia
 5,415,332 A 5/1995 Kliot
 5,671,698 A 9/1997 Farrugia
 5,927,581 A 7/1999 Reddy et al.
 5,931,120 A 8/1999 Burns et al.
 6,092,661 A 7/2000 Mogil
 D434,900 S 12/2000 Spence, Jr. et al.
 6,286,461 B1 9/2001 Martz
 6,338,180 B1 1/2002 Massard
 6,409,066 B1 6/2002 Schneider et al.
 6,460,746 B1 10/2002 Amram
 D465,924 S 11/2002 Gisser
 6,601,743 B2 8/2003 Godshaw
 D481,540 S 11/2003 Van Himbeeck
 D495,489 S 9/2004 Messina-Brown
 6,793,112 B2 9/2004 Ammerman
 D509,959 S 9/2005 Nykoluk
 D516,307 S 3/2006 Koenig et al.
 D528,792 S 9/2006 Marttila
 D535,820 S 1/2007 Kamiya
 7,160,028 B1 1/2007 Linday
 7,207,426 B2 4/2007 Godshaw et al.
 D548,966 S 8/2007 Aliberti et al.
 7,334,684 B1 2/2008 Fontanilla et al.
 7,344,028 B2 3/2008 Hanson
 D569,610 S 5/2008 Wang
 D575,059 S 8/2008 Cappiello et al.
 7,597,478 B2 10/2009 Pruchnicki et al.
 D609,466 S 2/2010 Stulman
 D620,708 S 8/2010 Sanz
 7,861,857 B2 1/2011 Vorderkunz
 D632,888 S 2/2011 Jobert
 D648,533 S 11/2011 Sosnovsky
 D661,085 S 6/2012 Custer
 D667,043 S 9/2012 Couch, III
 D667,219 S 9/2012 Munson
 D674,603 S 1/2013 Gerbi
 8,453,899 B1 6/2013 Calkin
 D688,457 S 8/2013 Harris
 D688,458 S 8/2013 Harris
 D689,283 S 9/2013 Berkowitz
 D692,662 S 11/2013 Pignotti
 D698,150 S 1/2014 Sabounjian
 8,695,770 B2 4/2014 Santy
 D713,639 S 9/2014 Whitlock et al.
 D717,040 S 11/2014 Swartzel et al.
 D725,903 S 4/2015 Kuster et al.
 D727,017 S 4/2015 Aberg et al.
 D732,824 S 6/2015 Tzortzis
 D738,107 S 9/2015 Adler et al.
 D738,108 S 9/2015 Adler et al.
 9,138,036 B2 9/2015 Andreasson et al.
 D740,550 S 10/2015 Shabou
 D740,551 S 10/2015 Shabou
 D740,552 S 10/2015 Shabou
 D742,646 S 11/2015 Amago
 D745,778 S 12/2015 Shabou
 9,215,918 B2 12/2015 Kao et al.
 D747,873 S 1/2016 Peng
 D749,318 S 2/2016 LoNigro
 D758,075 S 6/2016 Quarry et al.
 D761,562 S 7/2016 Venturini Fendi
 D766,571 S 9/2016 Boroski
 D770,761 S 11/2016 Deioma et al.
 D777,425 S 1/2017 Shin et al.
 D782,820 S 4/2017 Thompson
 D784,908 S 4/2017 Kalchuri et al.
 D785,325 S 5/2017 Samrelius et al.
 D789,682 S 6/2017 Maeng

D792,167 S 7/2017 Bradley
 D794,323 S 8/2017 Dumas
 D794,947 S 8/2017 Gavriel et al.
 9,737,122 B1 8/2017 Ives et al.
 D802,298 S 11/2017 Sassi
 D805,851 S 12/2017 Sullivan et al.
 D808,173 S 1/2018 Seiders et al.
 D808,174 S 1/2018 Seiders et al.
 D808,175 S 1/2018 Seiders et al.
 D808,225 S 1/2018 Seiders et al.
 D810,435 S 2/2018 Hoppe et al.
 D811,738 S 3/2018 Dumas
 D811,746 S 3/2018 Seiders et al.
 D812,898 S 3/2018 Lai
 D813,539 S 3/2018 Van Assche
 D817,107 S 5/2018 Larson et al.
 D819,327 S 6/2018 Jusic
 D822,987 S 7/2018 Seiders et al.
 D822,997 S 7/2018 Seiders et al.
 D822,999 S 7/2018 Seiders et al.
 D823,602 S 7/2018 Seiders et al.
 D825,276 S 8/2018 Seiders et al.
 D853,115 S * 7/2019 Seiders D3/289
 D854,312 S * 7/2019 Seiders D3/217
 D854,322 S * 7/2019 Seiders D3/289
 2003/0205601 A1 11/2003 Kilduff
 2005/0263432 A1 12/2005 Hanson
 2006/0065500 A1 3/2006 Herrig
 2008/0142558 A1 6/2008 Dexter
 2012/0006640 A1 1/2012 Santy
 2013/0322786 A1 12/2013 Nassanian
 2014/0248003 A1 9/2014 Mogil et al.
 2014/0270591 A1 9/2014 Joly
 2016/0206061 A1 7/2016 Ford
 2016/0278491 A1 9/2016 Amago
 2017/0036844 A1 2/2017 Seiders et al.
 2018/0098607 A1* 4/2018 Seiders A45C 5/08

FOREIGN PATENT DOCUMENTS

CA 150323 12/2013
 CA 150461 12/2013
 CN 302623928 11/2013
 CN 302852751 6/2014
 CN 302946709 9/2014
 CN 303092550 2/2015
 CN 303620433 3/2016
 EM 002307702-0003 9/2013
 EM 002333591-0015 10/2013
 EM 002348797-0001 11/2013
 EM 002309591-0001 12/2013
 EM 002309591-0002 12/2013
 EM 002309591-0003 12/2013
 EM 002309591-0005 12/2013
 EM 002309591-0006 12/2013
 EM 002309591-0007 12/2013
 EM 002309591-0008 12/2013
 EM 002309591-0009 12/2013
 EM 002520213-0005 8/2014
 EM 002599944-0001 1/2015
 EM 002629964-0001 2/2015
 EM 002119362-0001 4/2015
 EM 002639724-0002 5/2015
 EM 002734988-0003 7/2015
 EM 002734988-0004 7/2015
 EM 002760678-0005 9/2015
 EM 002906594-0010 12/2015
 EM 003146869-0001 8/2016
 EM 003359199-0001 9/2016
 EM 003359199-0002 9/2016
 GB 4041233 8/2015
 JP D1475659 7/2013
 KR 300687326.0000 4/2013
 WO D079659-001 12/2012

OTHER PUBLICATIONS

Kuiu, "Taku 3000", Accessed May 10, 2017. (<http://www.kuiu.com/gear-bags/taku-3000/96004.html>).

(56)

References Cited

OTHER PUBLICATIONS

Amazon, "Seattle Sports Seattle Sports Downstream Duffel", First reviewed Oct. 26, 2009. Accessed Sep. 27, 2017. (<https://www.amazon.com/Seattle-Sports-FrostPak-Soft-Cooler/dp/BOOLGZ28FI>).

Seattle Sports, "Wet/Dry Toploader Duffel", Accessed Sep. 27, 2017. (<http://www.seattlesportsco.com/custom-gear/wetdry-toploader-duffel.html>).

REI, "Patagonia Black Hole Duffel—60L", First reviewed "two years ago". (<https://www.rei.com/product/884915/patagonia-black-hole-duffel-60l>) (Year: 2016).

Gear Junkie, "YETI Enters New Market: Meet the 'Panga' Submersible Duffel", Posted on Jun. 29, 2017. (<http://gearjunkie.com/yeti-panga-submersible-duffel-review>) (Year: 2017).

Amazon, "Säk Gear DuffelS?k Pro Waterproof Duffel Bag", First reviewed Jun. 20, 2018. (<https://www.amazon.com/dp/B07D1GVCC4/>) (Year: 2018).

Amazon, "Velomacchi Waterproof Hybrid Duffel Bag Backpack 50 Liter", First reviewed Jun. 3, 2018. (<http://www.amazon.com/Velomacchi-Waterproof-Hybrid-Duffel-Backpack/dp/B07573PY96>) (Year: 2018).

Amazon, "Bago Field Duffel Bag/Backpack/ Travel Tactical Duffel for Army Camping", First on sale Nov. 7, 2016. (<https://www.amazon.com/dp/B01M6CSF2R>) (Year: 2016).

* cited by examiner

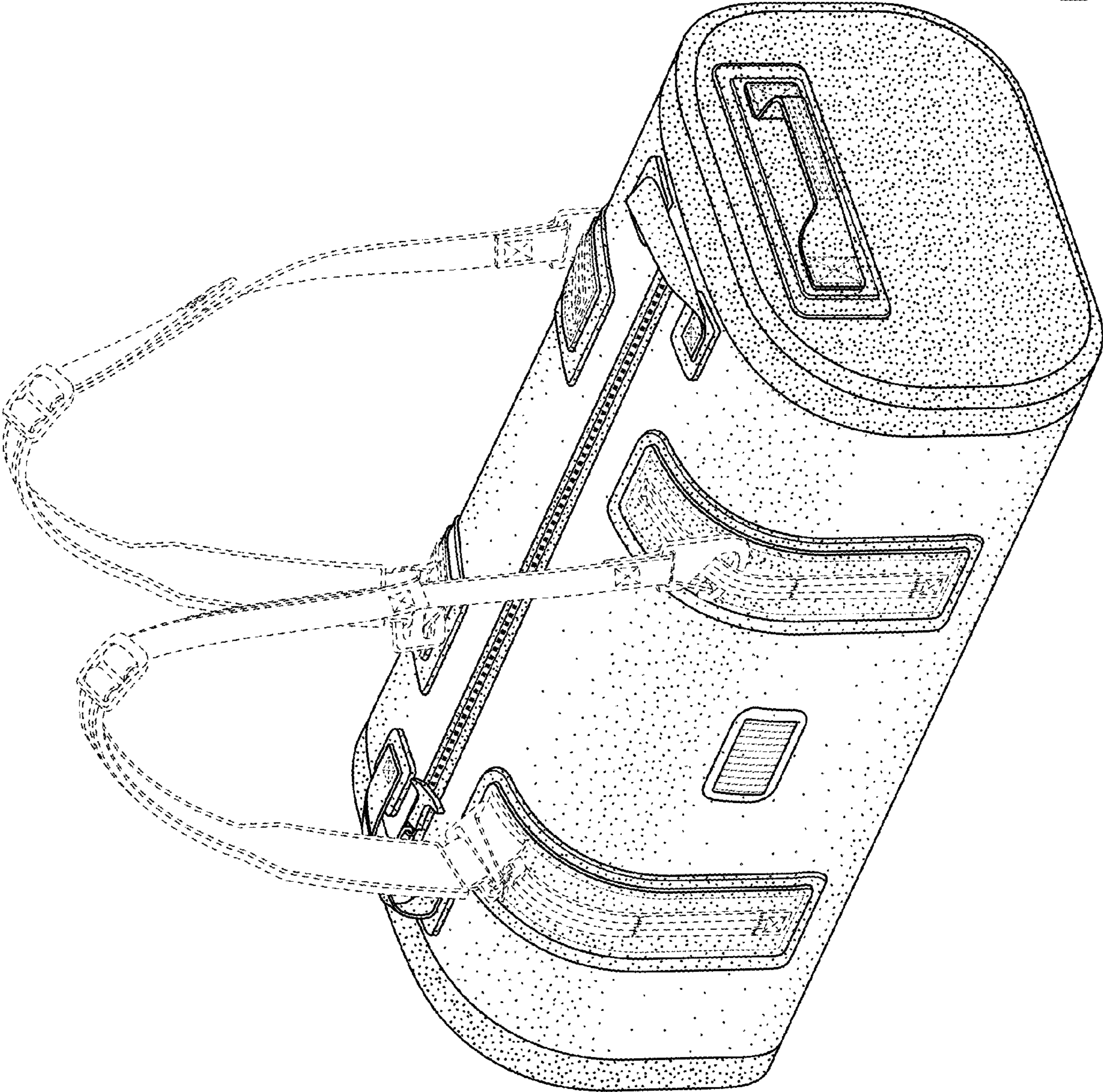


FIG. 1

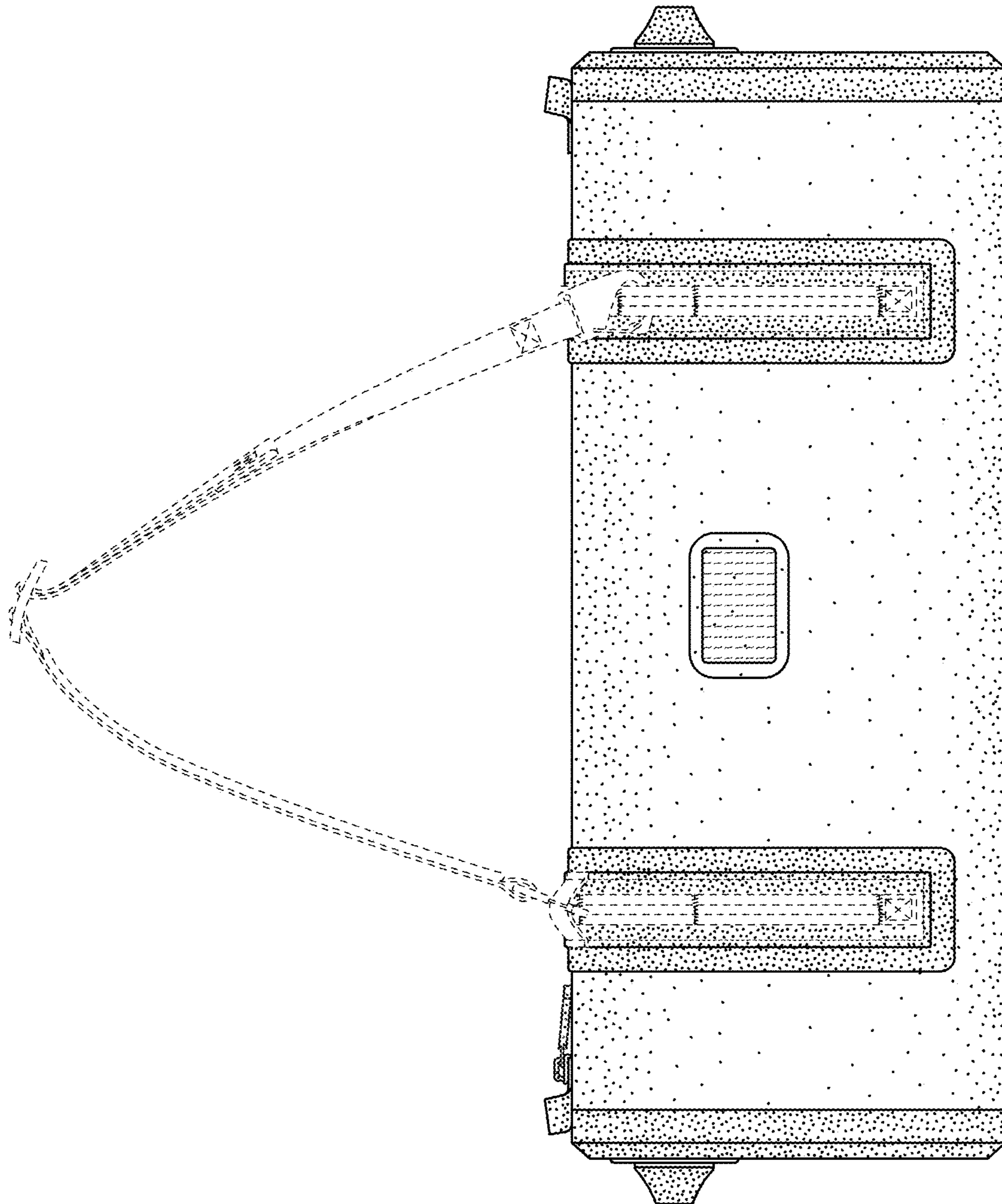


FIG. 2

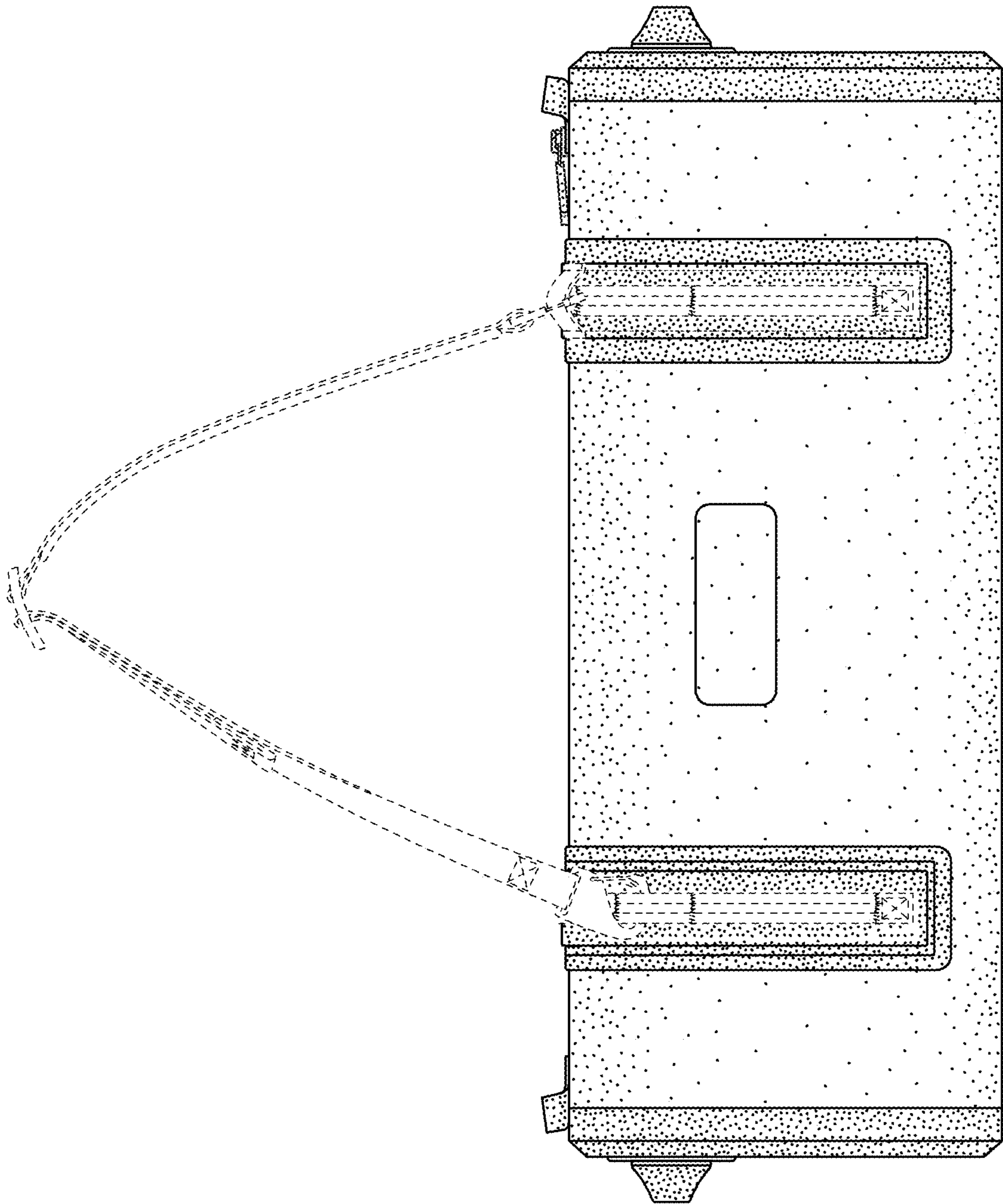


FIG. 3

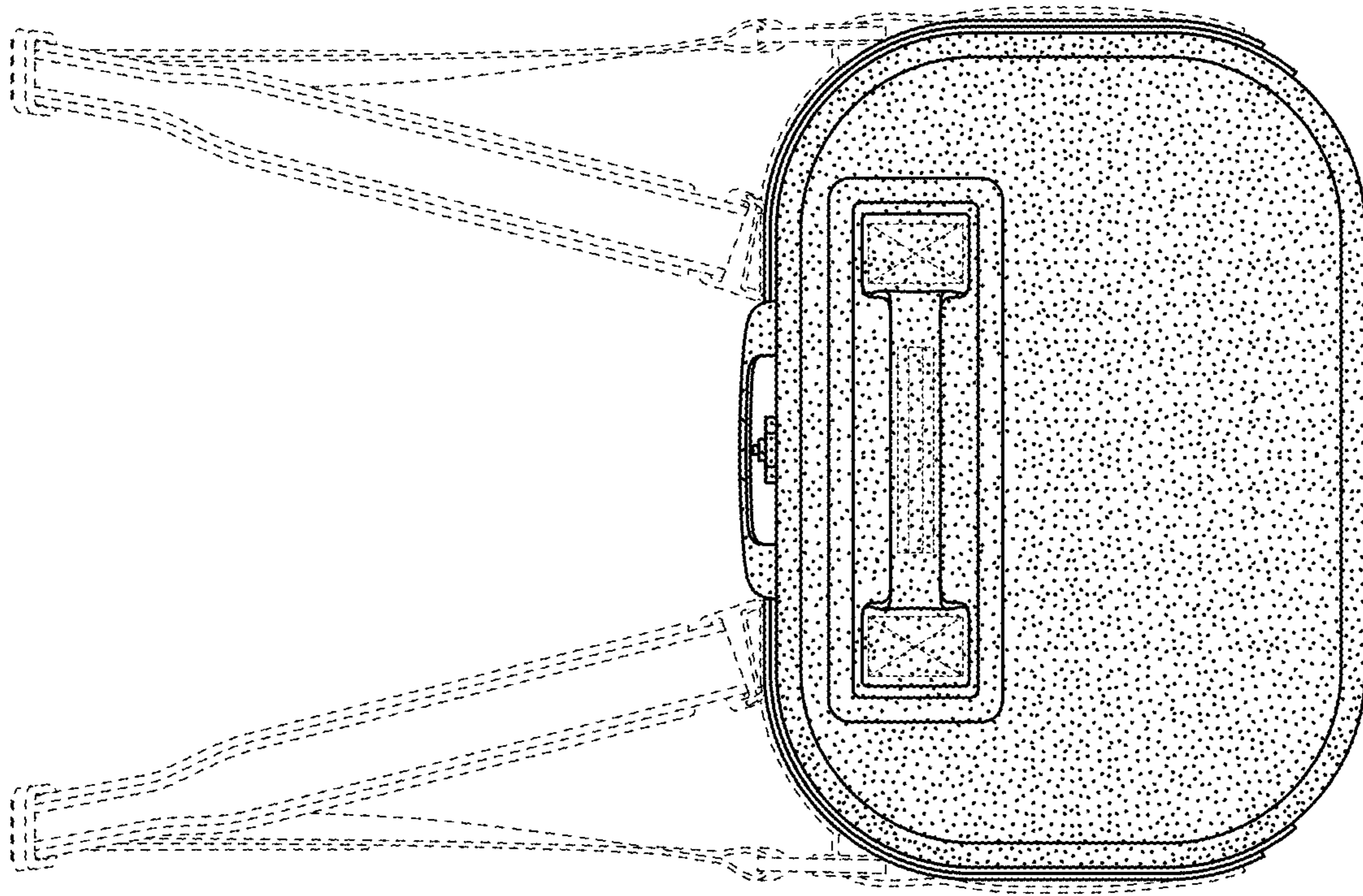


FIG. 5

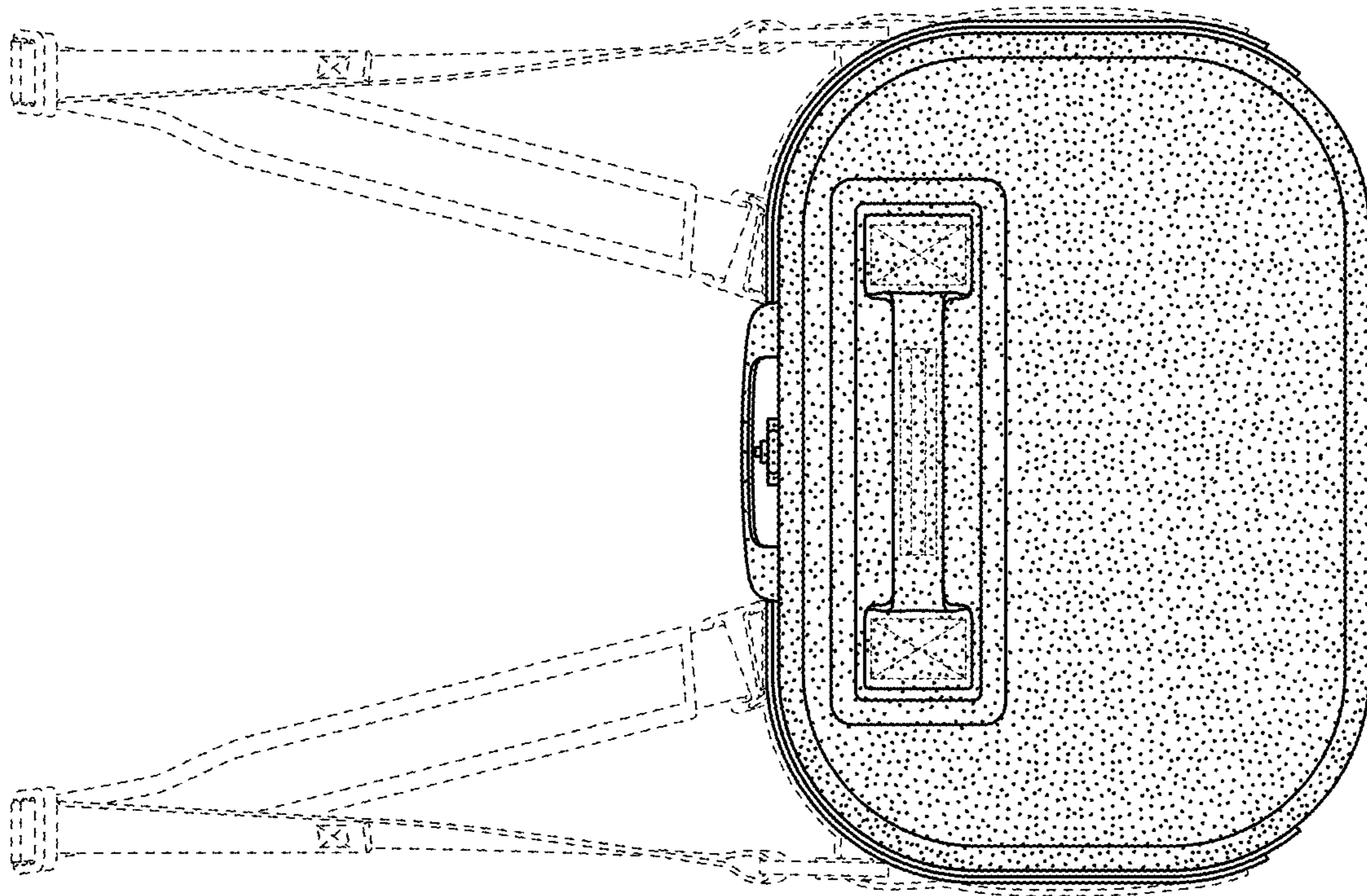


FIG. 4

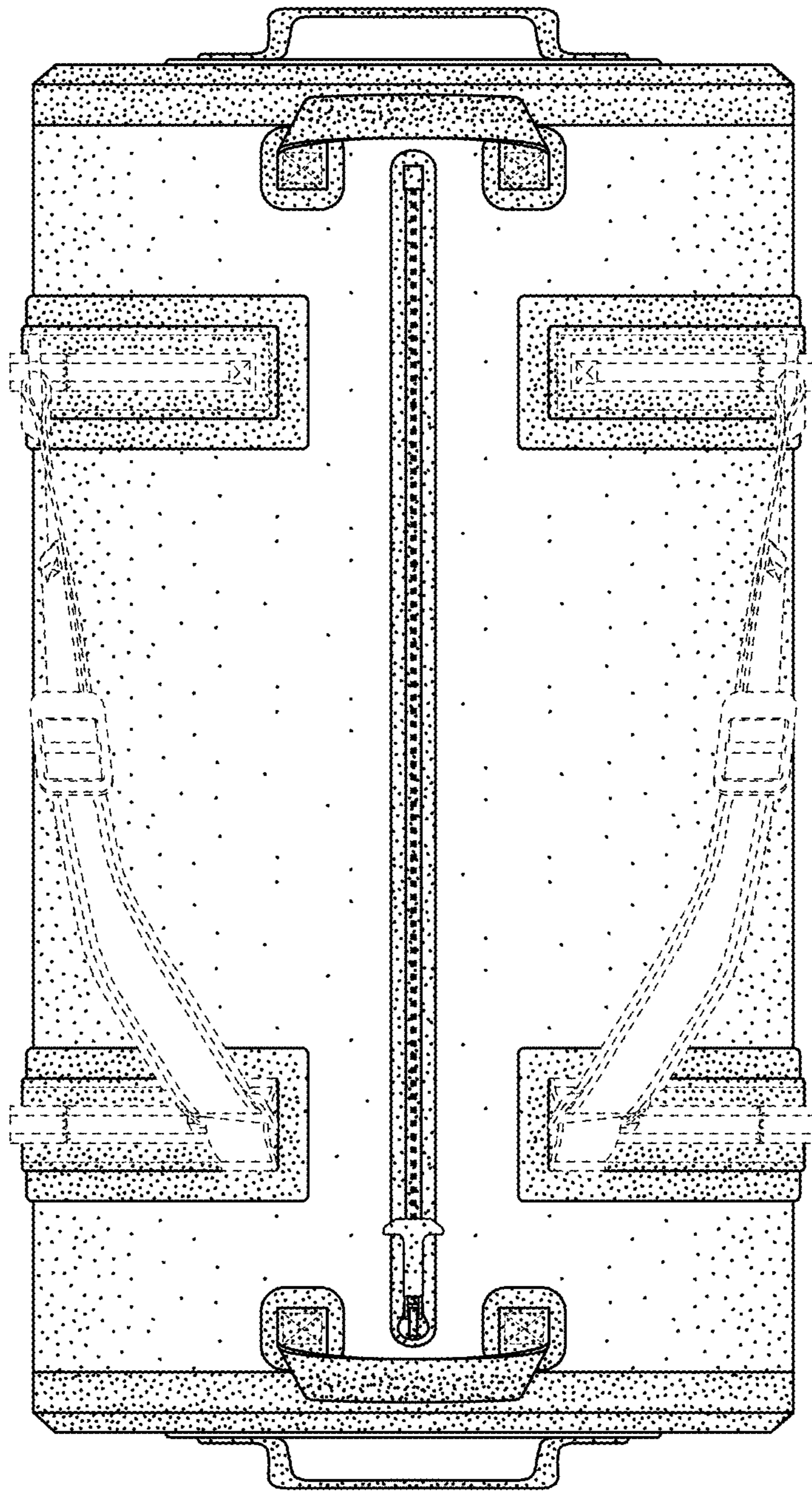


FIG. 6

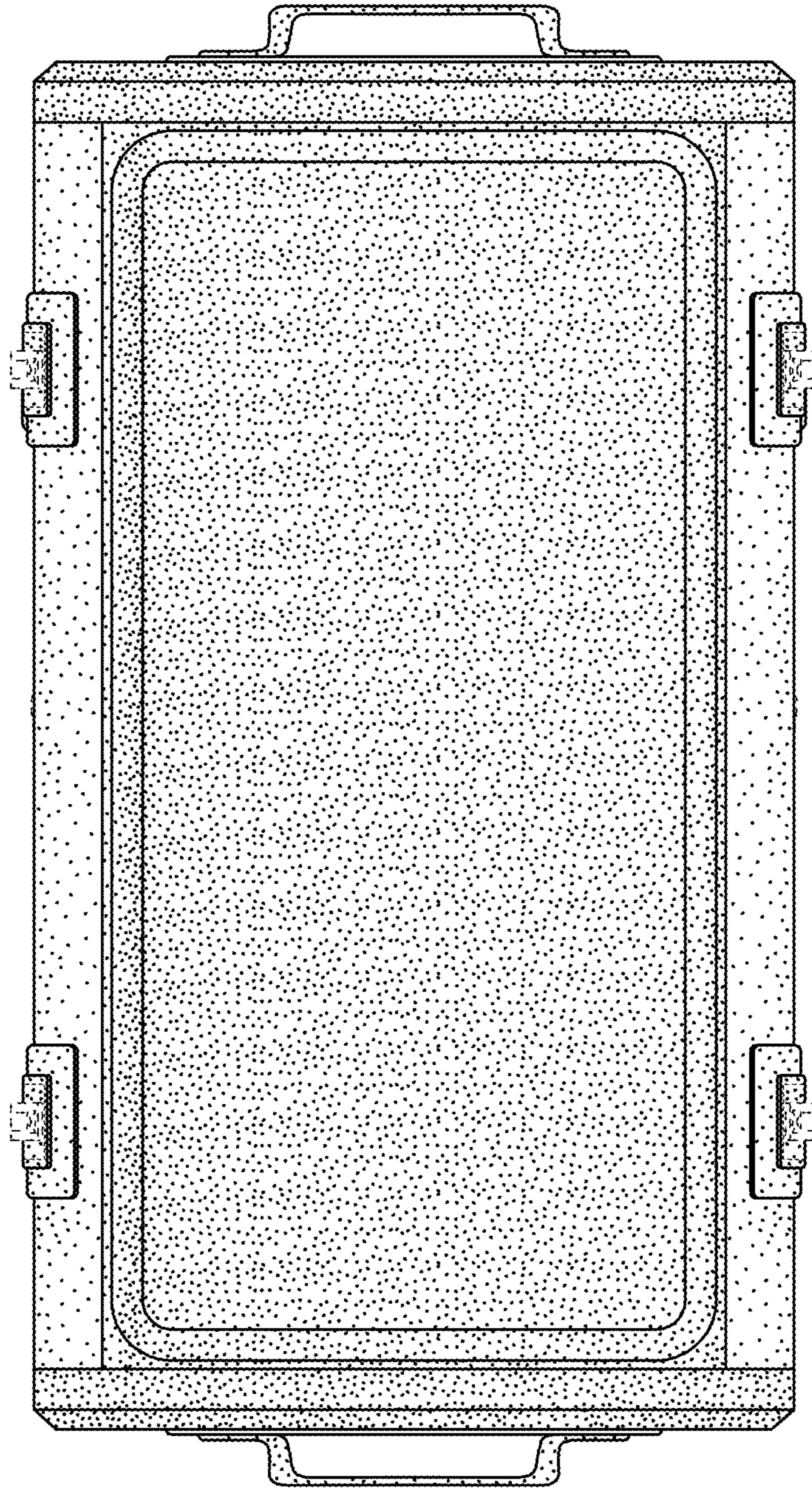


FIG. 7