



US00D896515S

(12) **United States Design Patent** (10) **Patent No.:** **US D896,515 S**
Cooper et al. (45) **Date of Patent:** **** Sep. 22, 2020**

(54) **CONTAINER**

(71) Applicant: **WVC Holdings, Inc.**, Denver, CO (US)

(72) Inventors: **Jeremy Cooper**, Denver, CO (US);
Jeremiah Buck, Denver, CO (US);
Timothy Hanley, Denver, CO (US);
Zachariah Johnson, Denver, CO (US)

(73) Assignee: **WVC Holdings, Inc.**, Denver, CO (US)

(**) Term: **15 Years**

(21) Appl. No.: **29/670,431**

(22) Filed: **Nov. 15, 2018**

(51) **LOC (12) Cl.** **03-01**

(52) **U.S. Cl.**
USPC **D3/273**

(58) **Field of Classification Search**
USPC D3/201, 203.1, 203.2, 273, 276, 294,
D3/295, 298, 302, 318, 901, 902, 903;
D9/772, 425; D27/189, 190, 191;
D28/82, 7
CPC A45C 5/00; A45C 11/16; A45C 11/24;
A45C 2200/05; A45C 2200/10; B65D
50/04
See application file for complete search history.

D828,749 S * 9/2018 Swegle B65D 50/046
D9/415
D834,302 S * 11/2018 Paz D3/203.1
D834,303 S * 11/2018 Paz D3/203.1
D860,779 S * 9/2019 Sutton D9/420
2017/0305601 A1* 10/2017 Hall A45C 13/02
2018/0086518 A1* 3/2018 Charm B26D 3/30

OTHER PUBLICATIONS

Leafy, "Wax/shatter container by Stash Fresh", Accessed Jan. 29, 2020. (<https://www.leafly.com/products/details/stash-fresh-waxshatter-container>) (Year: 2020).*

(Continued)

Primary Examiner — April Rivas
(74) *Attorney, Agent, or Firm* — Morgan, Lewis & Bockius, LLP

(57) **CLAIM**

The ornamental design for a container, as shown and described.

DESCRIPTION

FIG. 1 is a front perspective view of a container in accordance with my new design;
FIG. 2 is a front elevational view thereof;
FIG. 3 is a rear elevational view thereof;
FIG. 4 is a left side elevational view thereof; with the right side being a mirror of the left side;
FIG. 5 is a top plan view thereof; and,
FIG. 6 is a bottom plan view thereof.

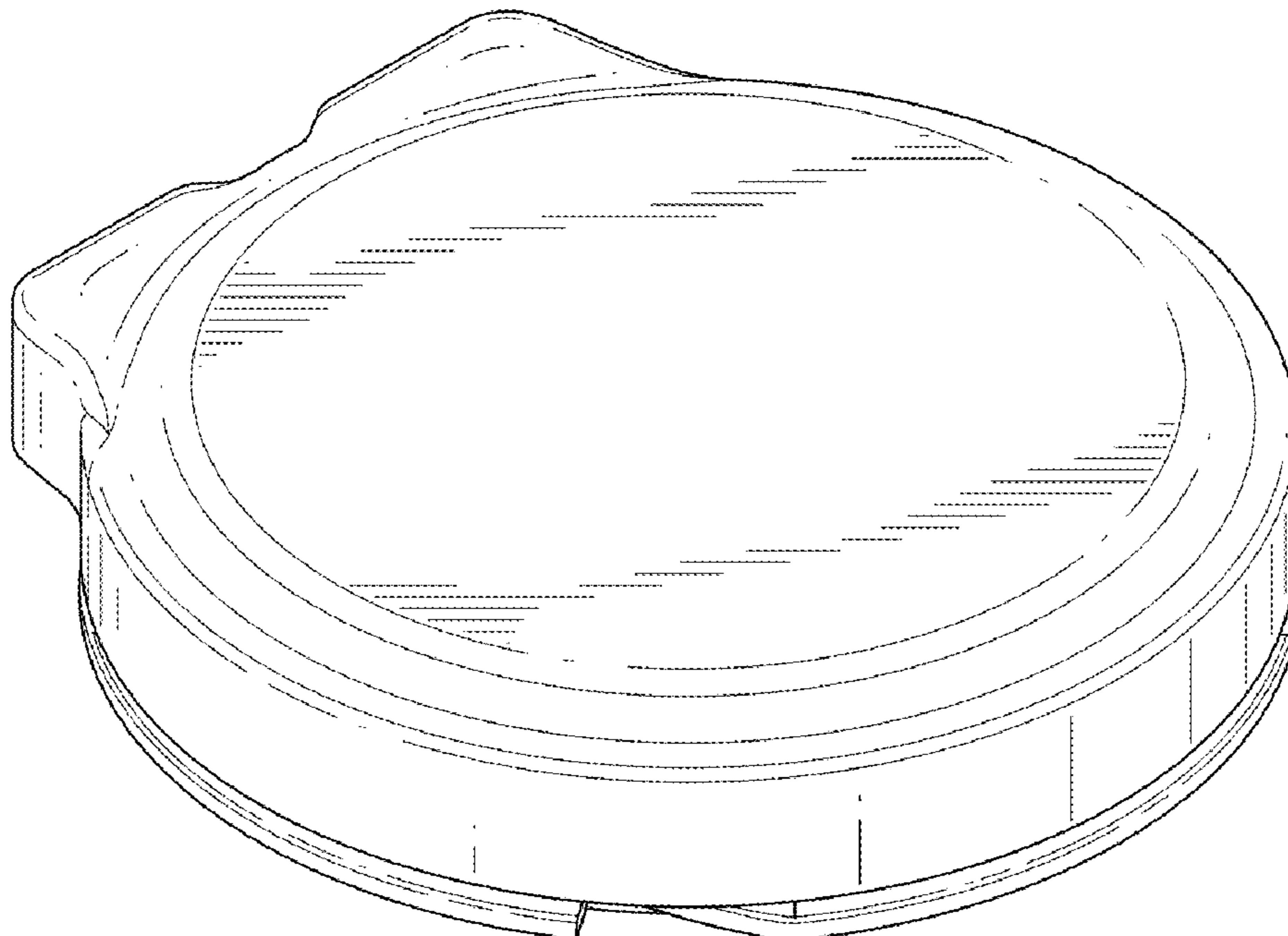
The broken lines immediately adjacent the shaded area represent the bounds of the claimed design while all other broken lines are directed to environment and are for illustrative purposes only; the broken lines form no part of the claimed design.

1 Claim, 3 Drawing Sheets

(56) **References Cited**

U.S. PATENT DOCUMENTS

D406,396 S * 3/1999 Granwehr D28/76
D452,151 S * 12/2001 Scott D3/203.4
D573,794 S * 7/2008 Izen D3/302
D581,809 S * 12/2008 Wichowski D9/504
D595,899 S * 7/2009 Krause-Neufeldt D28/82
D686,513 S * 7/2013 Henriksson D9/428
D816,994 S * 5/2018 Fischer D3/294



(56)

References Cited

OTHER PUBLICATIONS

Amazon, "Non-Stick Silicone Wax Dab Concentrate Compact Clamshell Containers 10 ml Multi Use Storage Jars (Green, 3)", first on sale Dec. 7, 2019. (<https://www.amazon.com/Non-Stick-Silicone-Containers-Storage-Green/dp/B0814FPFXS?th=1>) (Year: 2019).*

Collective Supply, Dragon Chewer black/White Press n Pull Box Small, 2019, available at <https://collectivesupply.com/product/dragon-chewer-white-press-n-pull-box-small/>, accessed on Jul. 3, 2018.

Leafs by Snoop, 2015, https://www.google.com/search?q=leafs+by+snoop+image&source=lnms&tbm=isch&sa=X&ved=0ahUKEwj1-avyoqPkJAhWN1kKHUMPDWoQ_AUIEigC&biw=1362&bih=824#imgrc=RE3xyHOe7wloGM:&spf=1566916562145, accessed on Jul. 3, 2018.

* cited by examiner

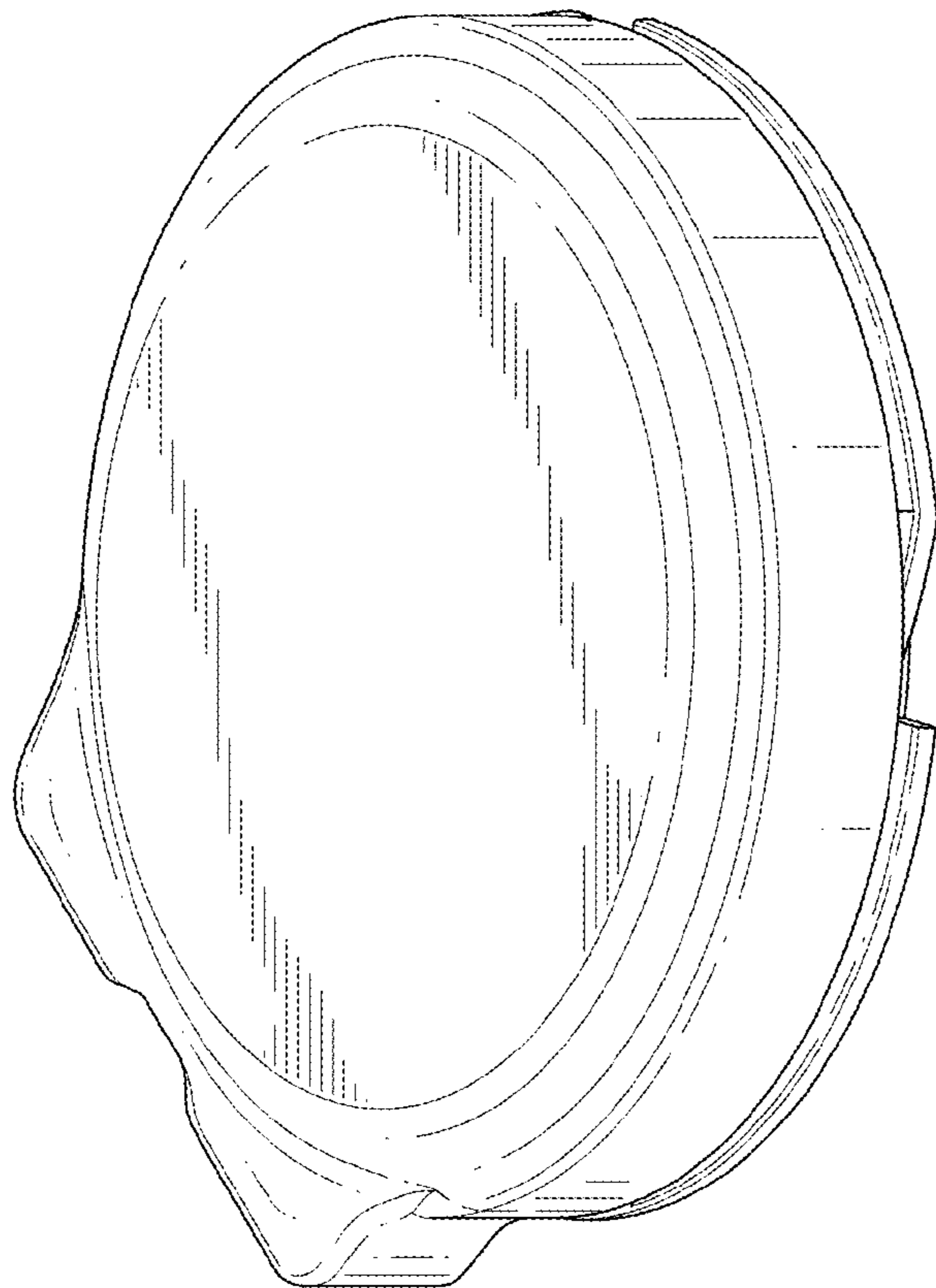


FIG. 1

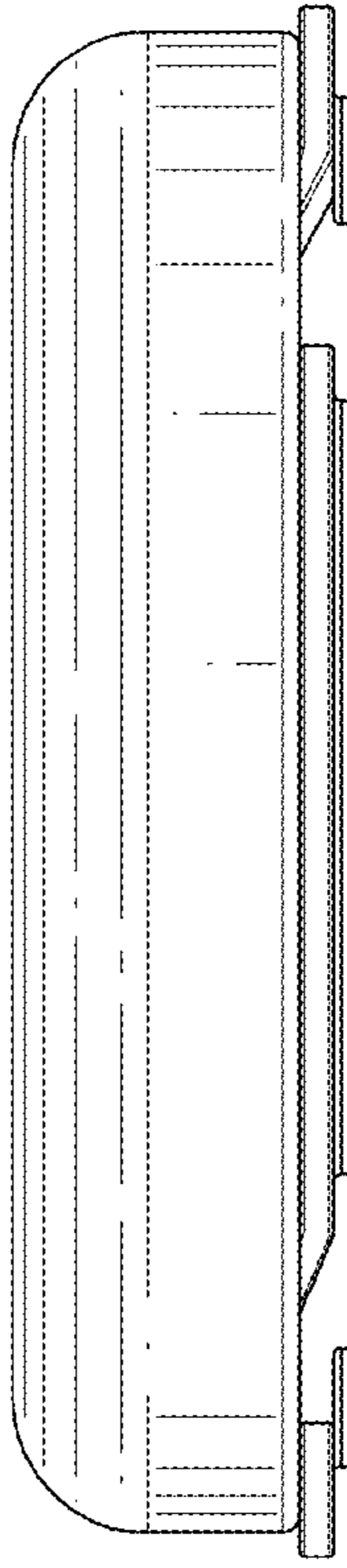


FIG. 2

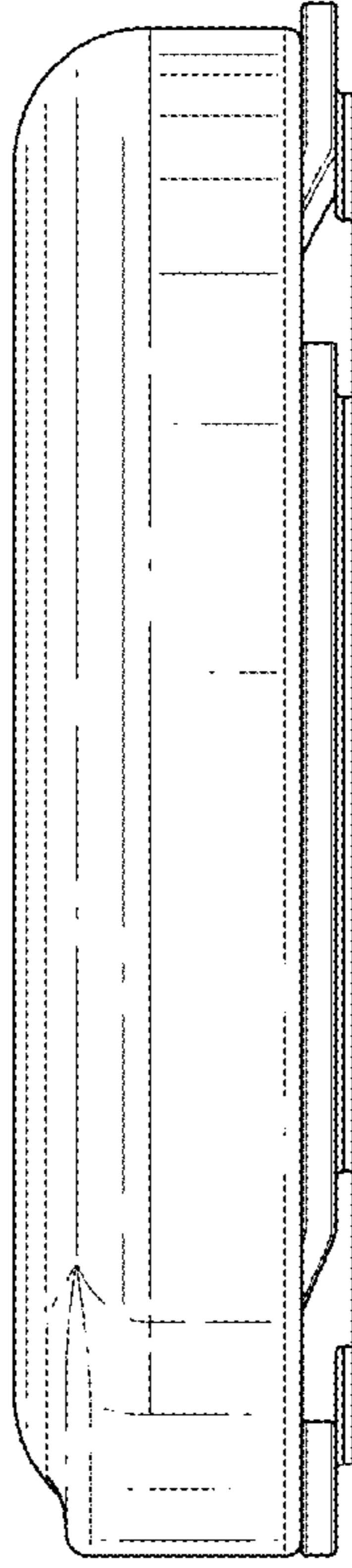


FIG. 3

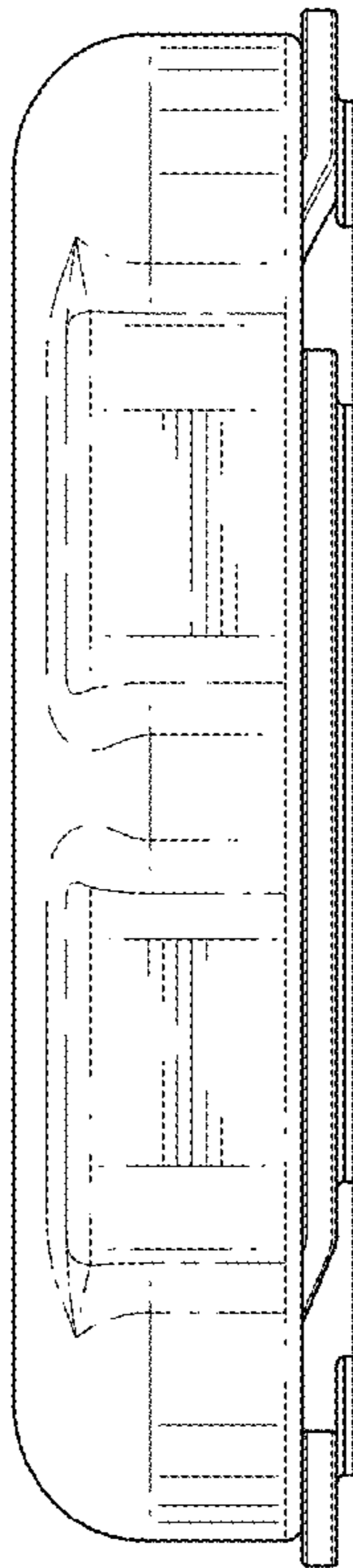


FIG. 4

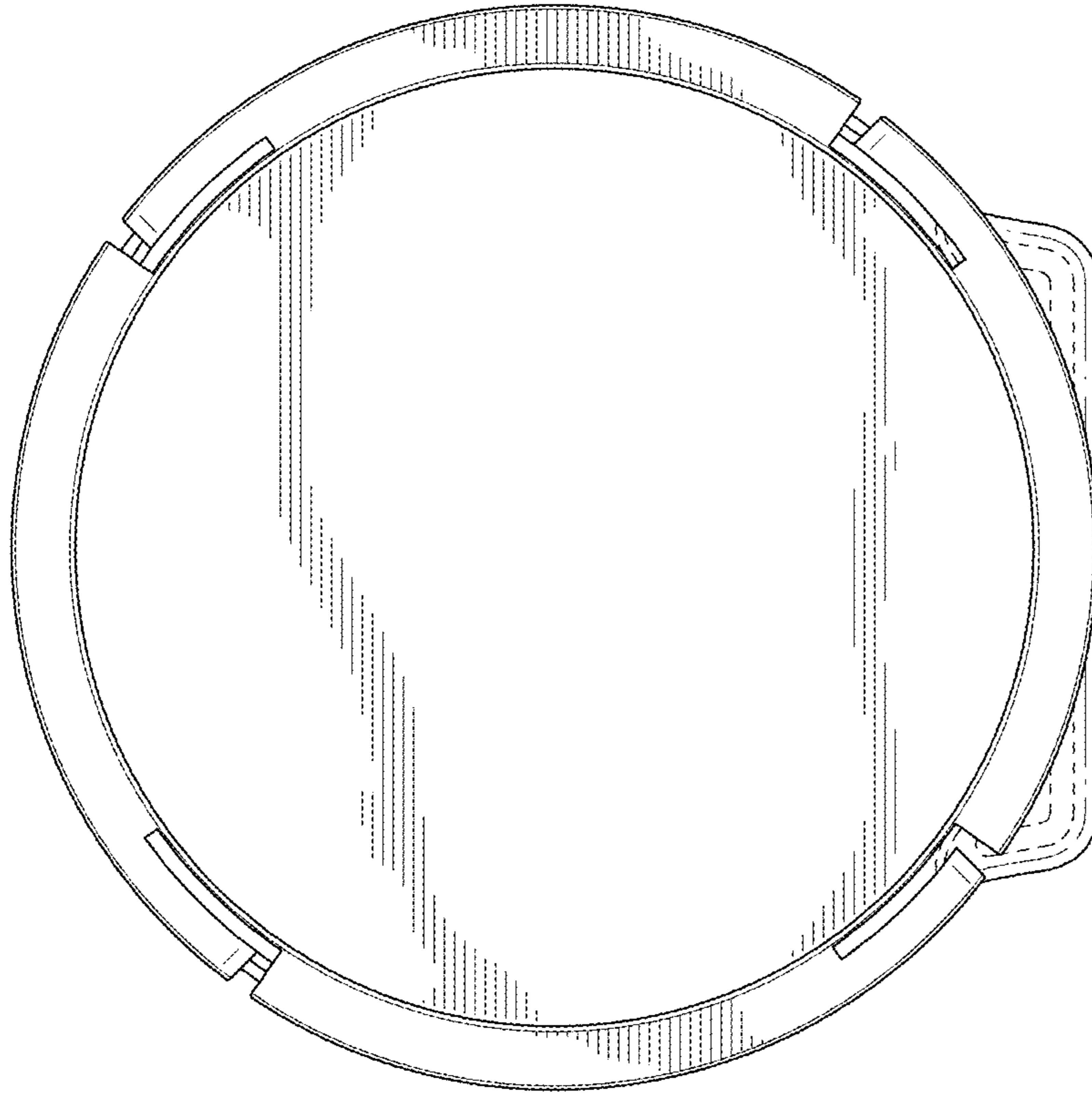


FIG. 6

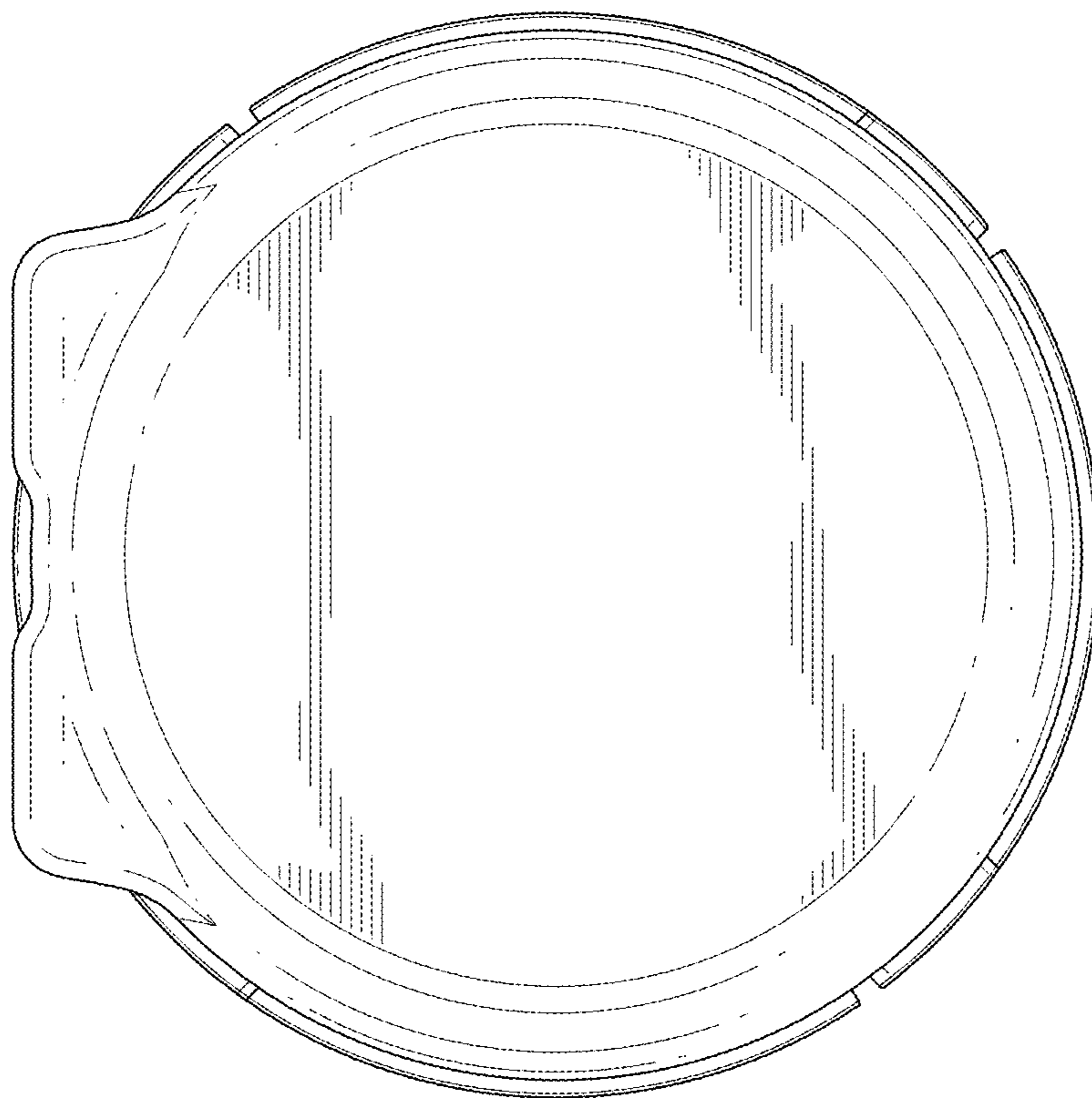


FIG. 5