



US00D896514S

(12) **United States Design Patent** (10) **Patent No.:** **US D896,514 S**
Tan (45) **Date of Patent:** **** Sep. 22, 2020**

(54) LARGEMOUTH TACKLE BAG	7,240,513 B1 * 7/2007 Conforti A45C 13/02 62/457.2
(71) Applicant: Evolution Outdoor Design , Longview, TX (US)	D620,254 S * 7/2010 Noraker D3/260 8,348,510 B2 * 1/2013 Mogil A45C 5/02 383/105
(72) Inventor: Roger Tan , Chino, CA (US)	D692,661 S * 11/2013 Gupton, Jr. D3/279 D724,318 S * 3/2015 Myer D3/233 D762,384 S * 8/2016 Boroski D3/283
(73) Assignee: Thousand Oaks Corp. , Irwindale, CA (US)	D835,950 S * 12/2018 Jacobsen D7/607 D862,528 S * 10/2019 Sullivan D15/79 D880,253 S * 4/2020 Jacobsen D7/607 D881,655 S * 4/2020 Jacobsen D7/607
(**) Term: 15 Years	2007/0237432 A1 * 10/2007 Mogil A45C 7/0077 383/38

(21) Appl. No.: **29/683,356**

(22) Filed: **Mar. 12, 2019**

(51) **LOC (12) Cl.** **03-01**

(52) **U.S. Cl.**
USPC **D3/260**

(58) **Field of Classification Search**
USPC D3/201, 221, 254, 260, 273, 276, 287,
D3/289, 301, 905; D7/601-607
CPC A01K 97/00; A01K 97/04; A01K 97/05;
A01K 97/06; A45C 3/00; A45C 7/00;
A45F 3/02; A45F 3/12-14
See application file for complete search history.

(56) **References Cited**

U.S. PATENT DOCUMENTS

3,181,751 A *	5/1965	Wilson	A01K 97/06 383/39
4,151,938 A *	5/1979	Barker	A45C 3/00 2/51
D284,333 S *	6/1986	Huston	D3/268
D347,521 S *	6/1994	Elliott	D3/287
D371,052 S *	6/1996	Melk	D7/607
6,612,434 B1 *	9/2003	Redzisz	A01K 97/06 190/109

* cited by examiner

Primary Examiner — Mitchell I. Siegel

(74) *Attorney, Agent, or Firm* — J. Andrew Reed;
Carstens & Cahoon, LLP

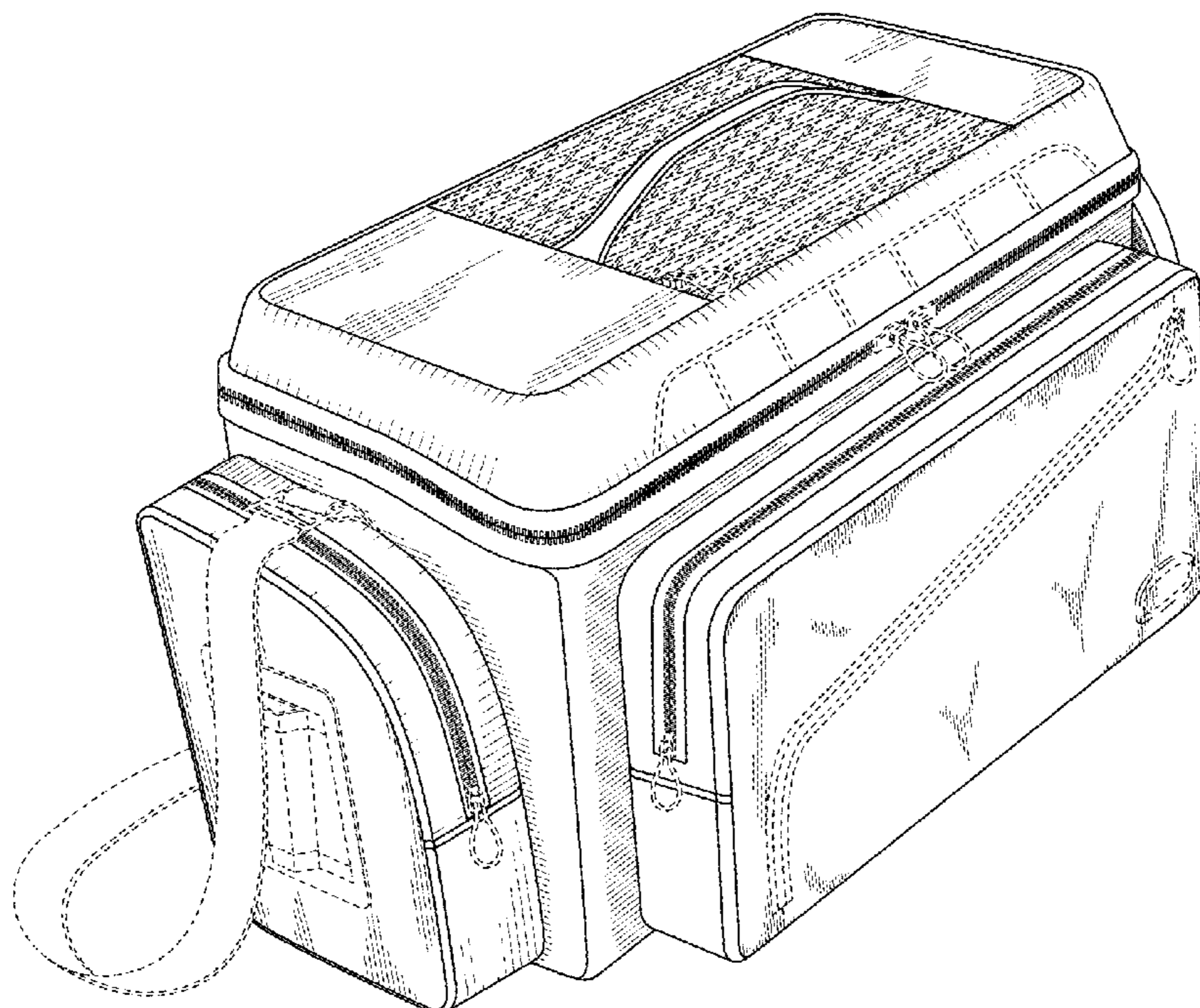
(57) **CLAIM**

The ornamental design for a largemouth tackle bag, as shown and described.

DESCRIPTION

FIG. 1 is a front elevation view of the largemouth tackle bag; FIG. 2 is a rear elevation view of the bag; FIG. 3 is a left side elevation view of the bag; FIG. 4 is a right side elevation view of the bag; FIG. 5 is a top view of the bag; FIG. 6 is a bottom view of the bag; FIG. 7 is a left side perspective view of the bag; and, FIG. 8 is a right side perspective view of the bag. The broken lines shown are included for the purpose of illustrating unclaimed subject matter and forms no part of the claimed design.

1 Claim, 5 Drawing Sheets



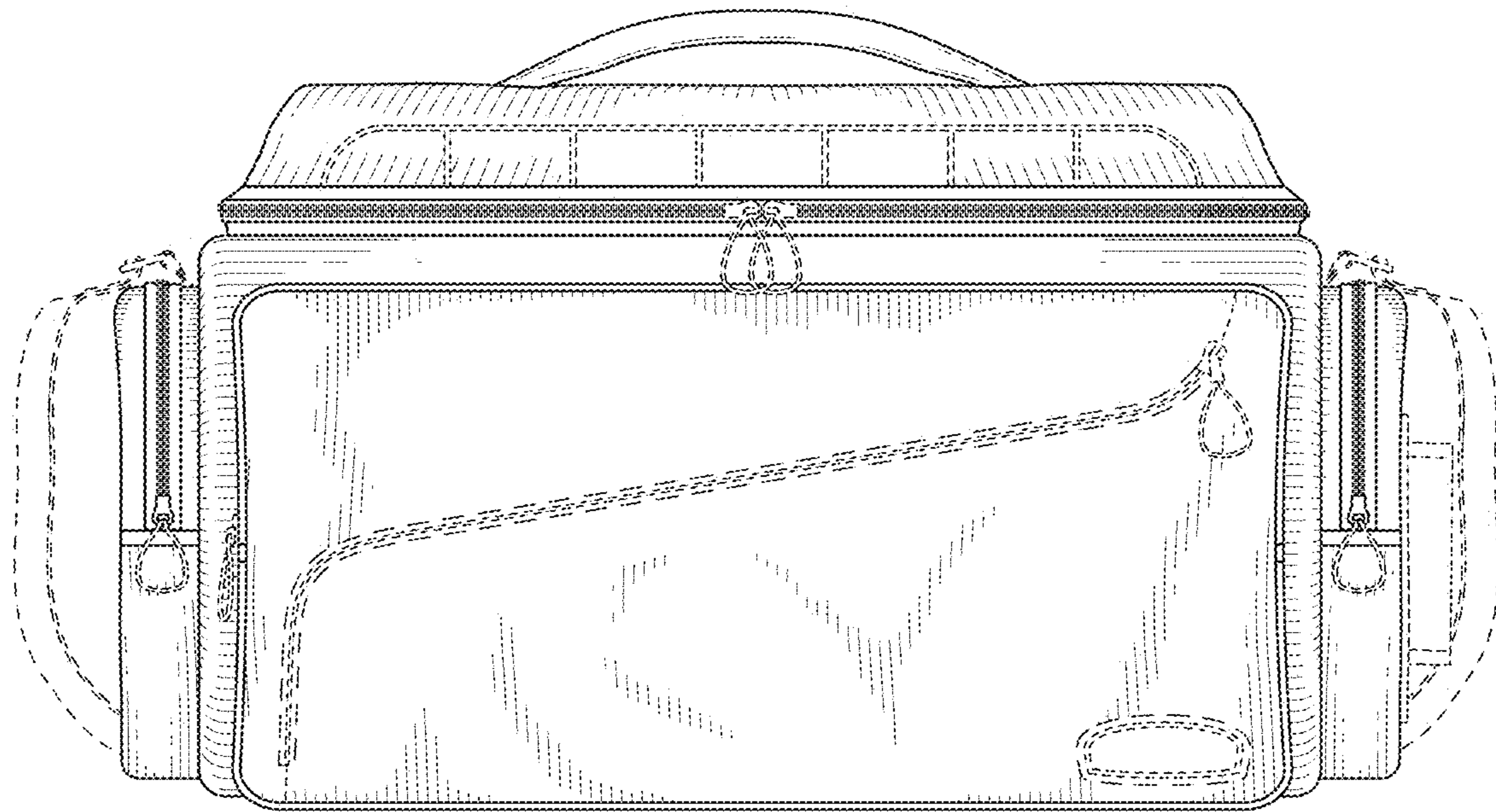


FIG. 1

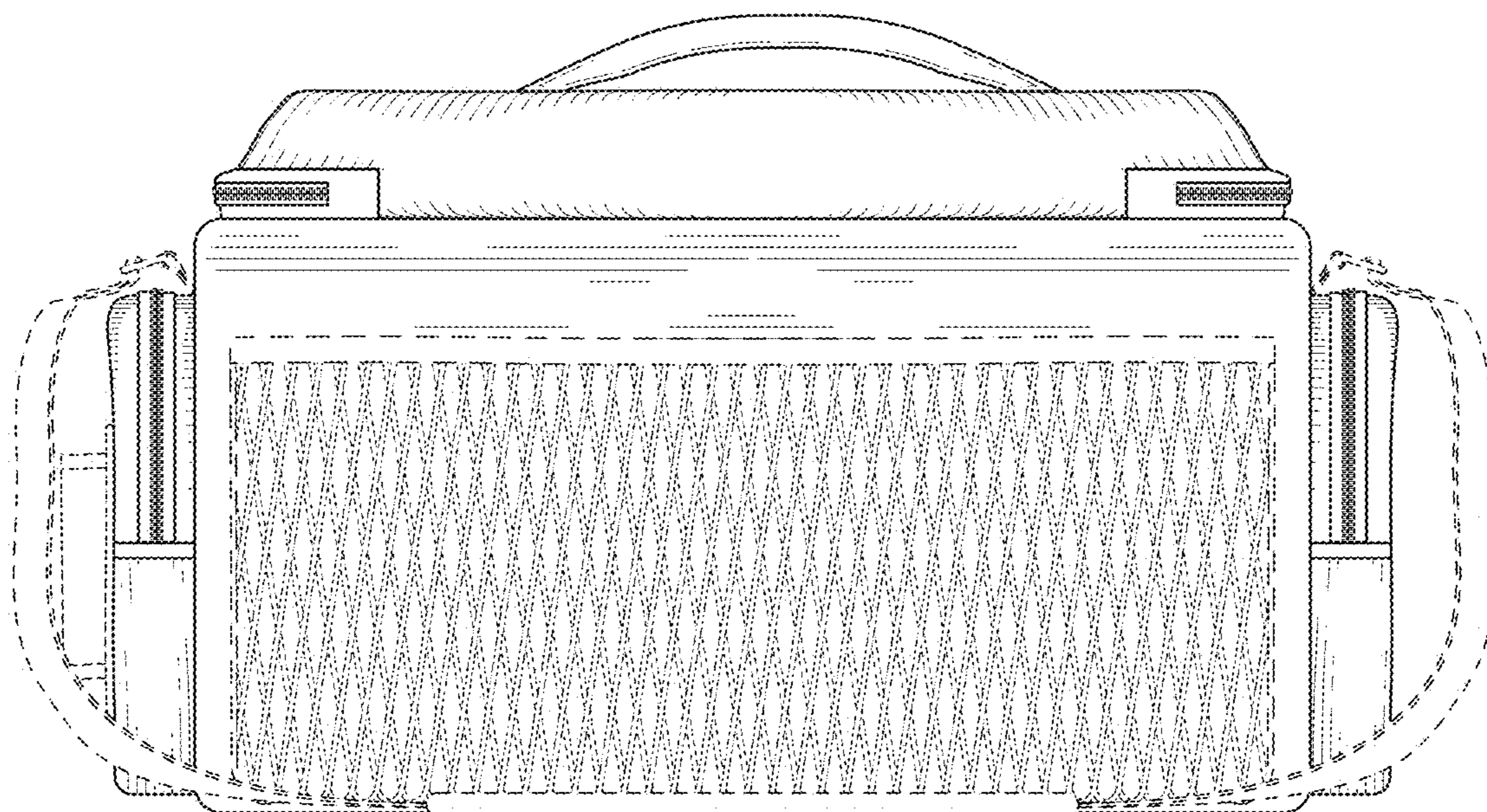


FIG. 2

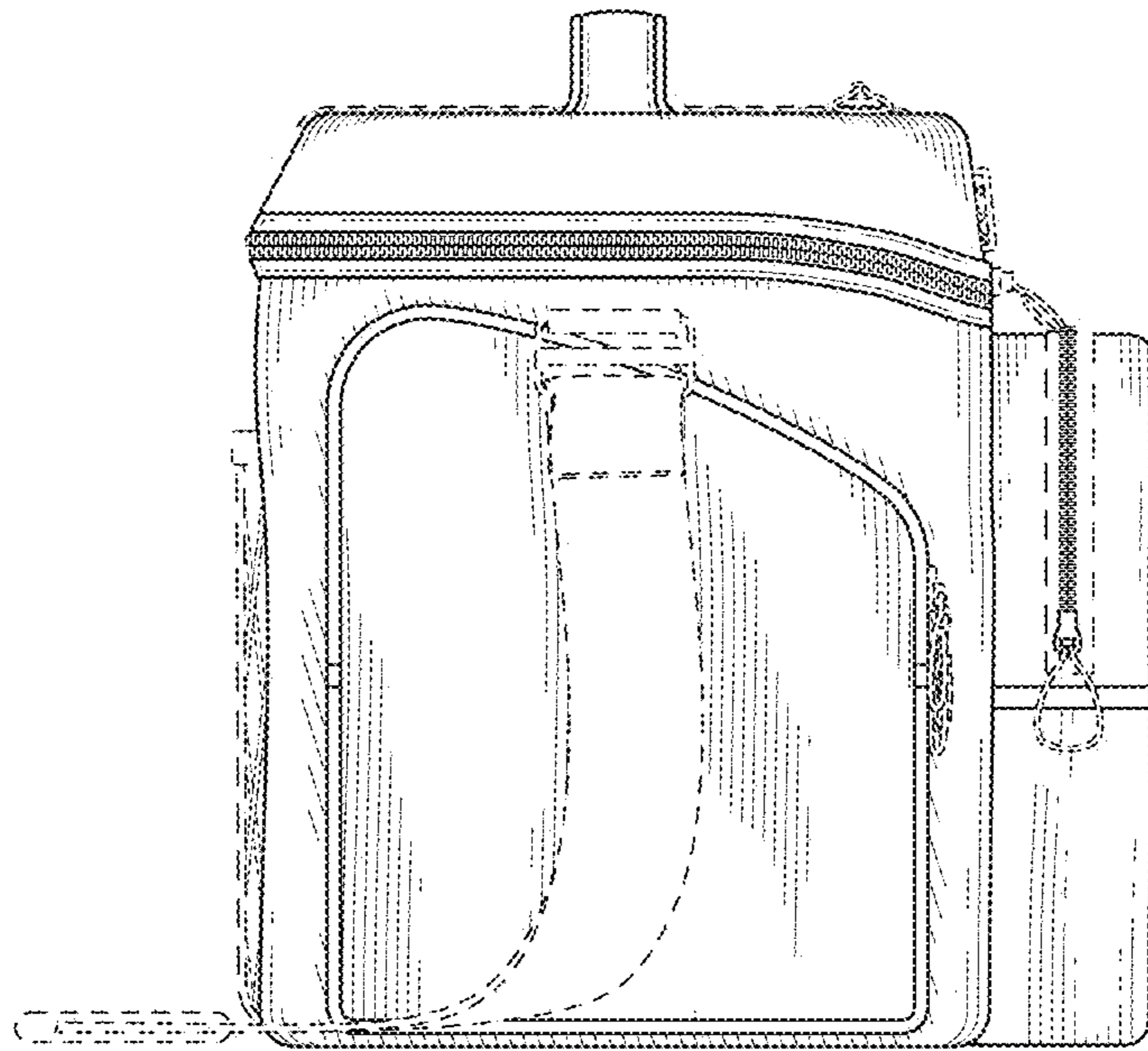


FIG. 3

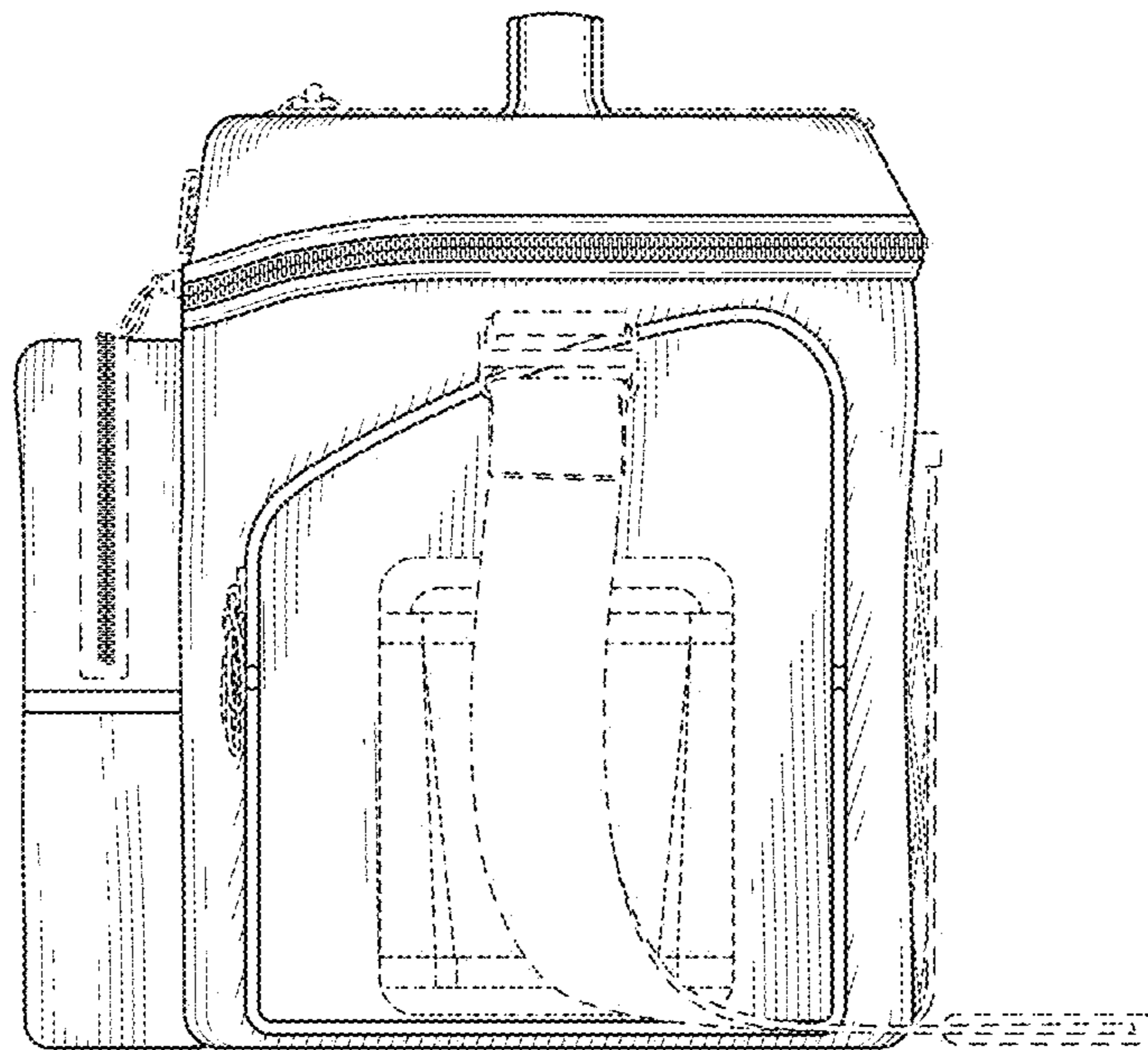


FIG. 4

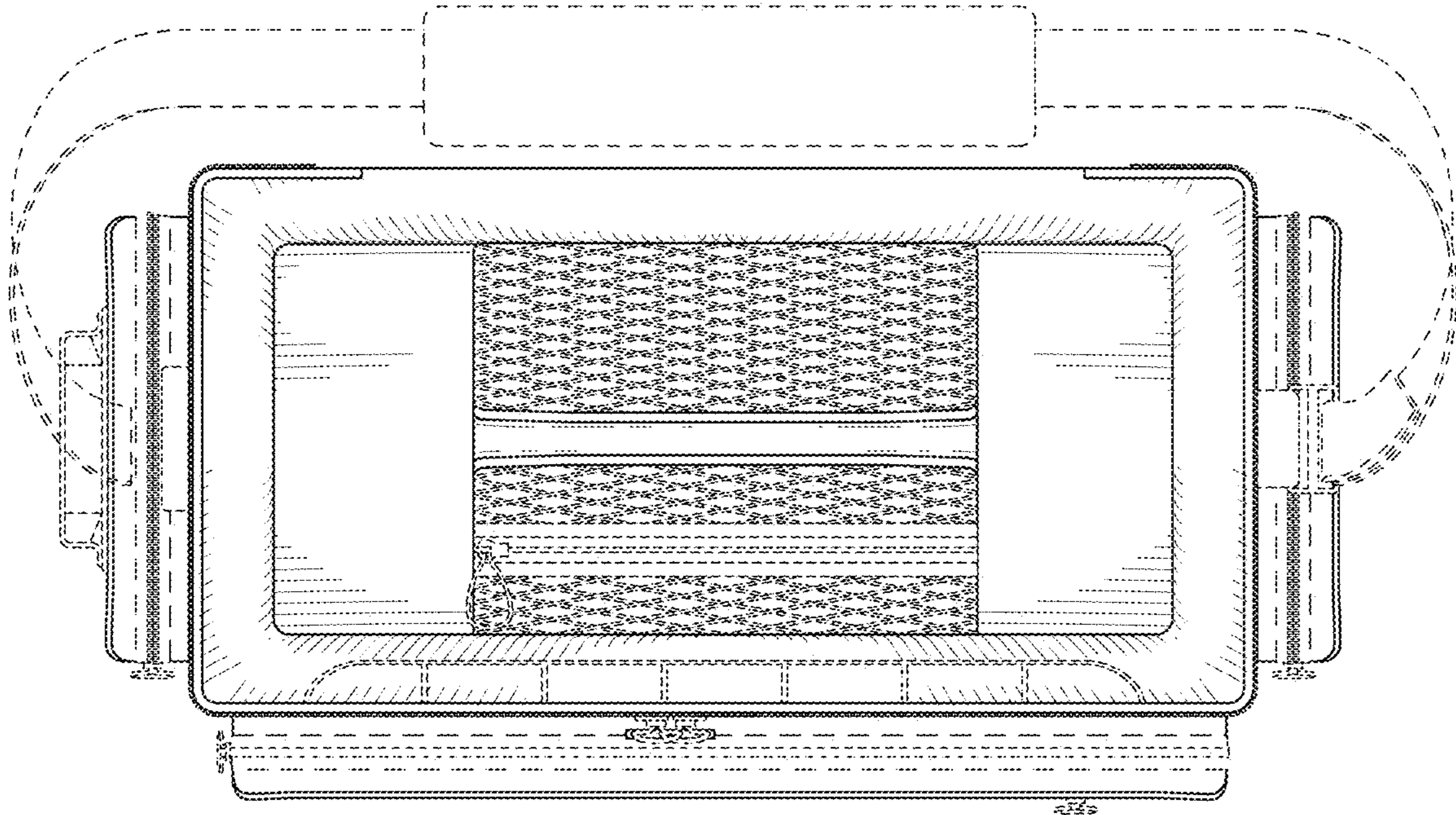


FIG. 5

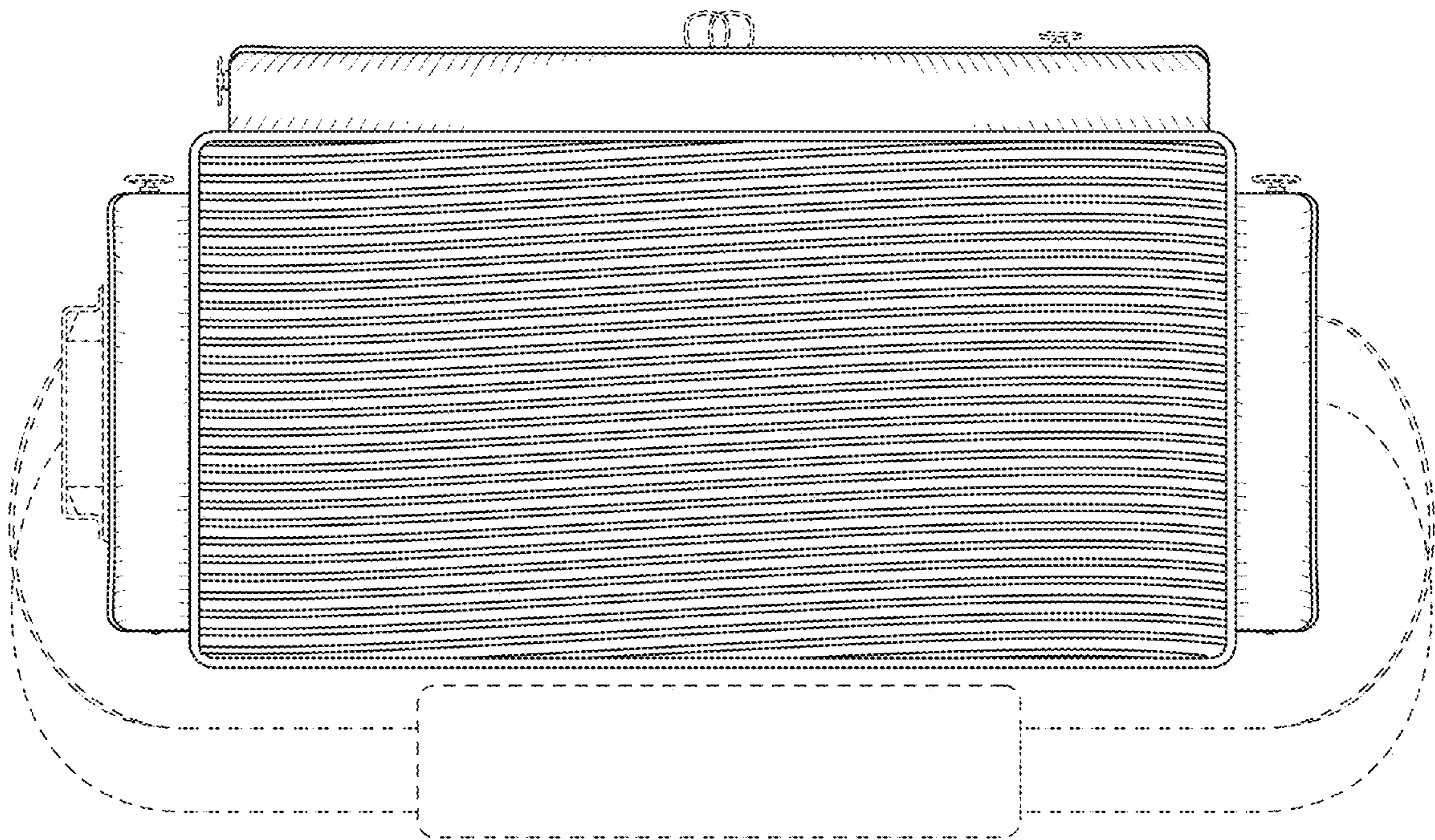


FIG. 6

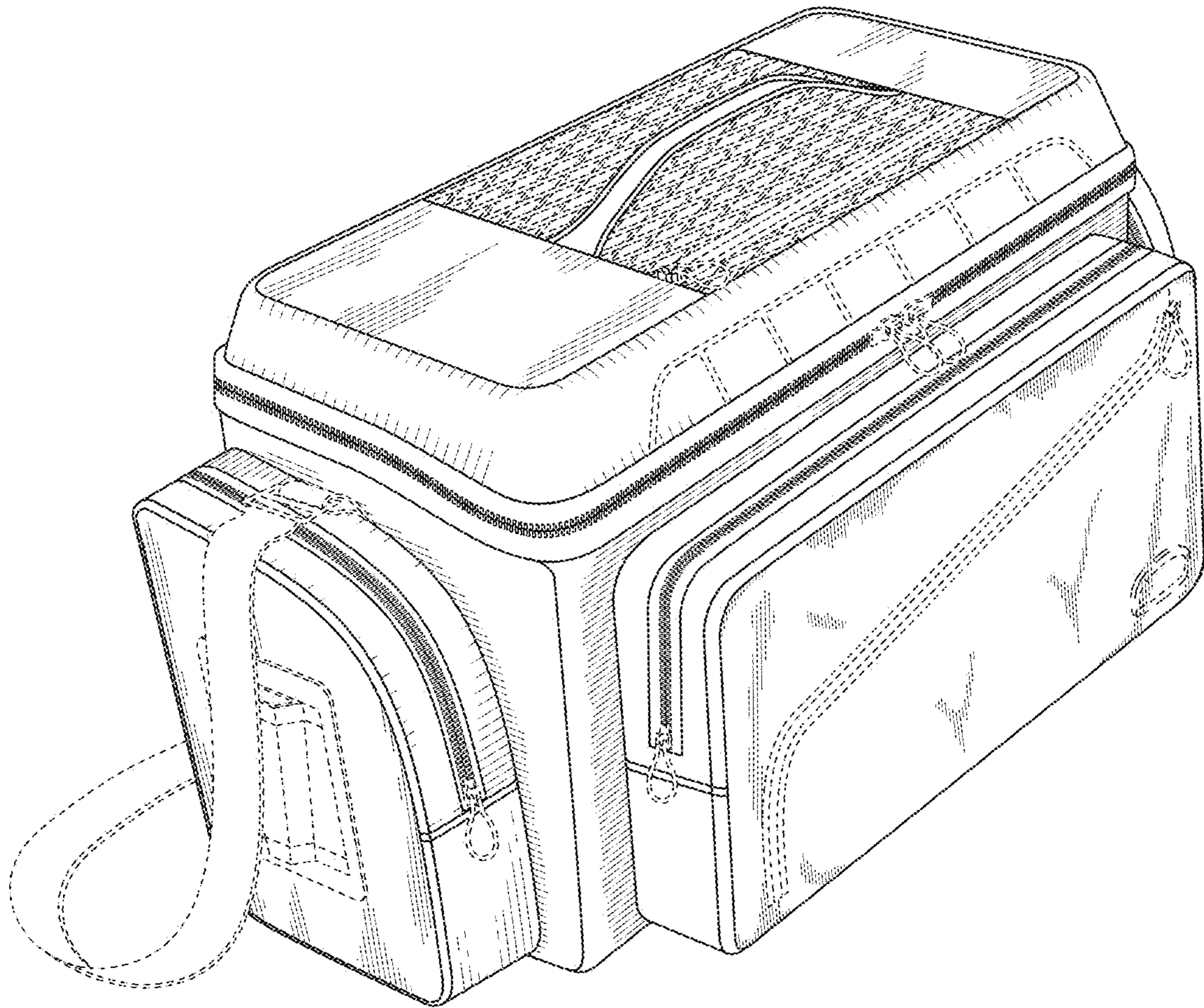


FIG. 7

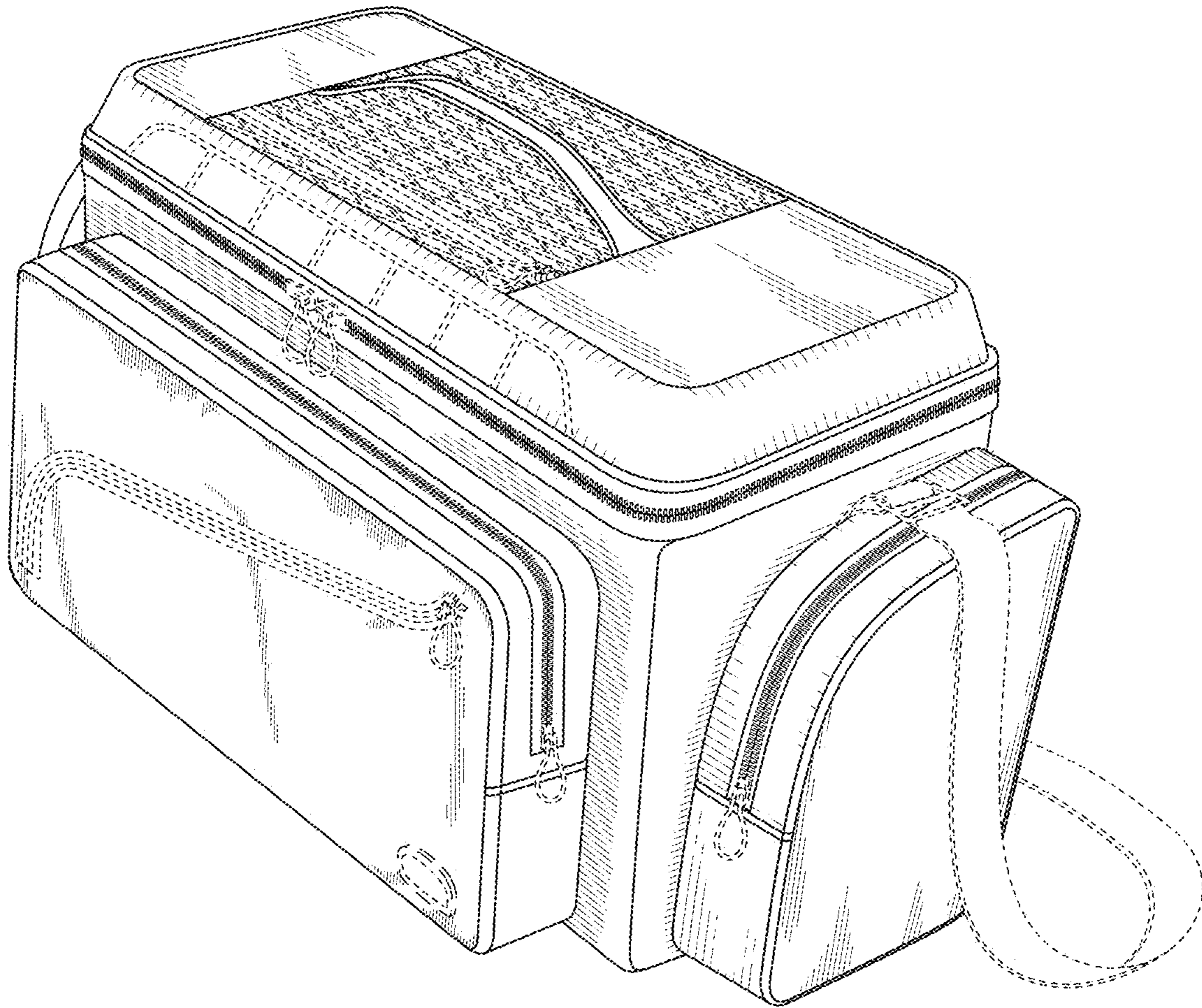


FIG. 8