



US00D896513S

(12) **United States Design Patent**  
**Sagen et al.**

(10) **Patent No.:** **US D896,513 S**

(45) **Date of Patent:** **\*\* Sep. 22, 2020**

- (54) **FISHING ROD CARRIER**
- (71) Applicant: **Yakima Products, Inc.**, Lake Oswego, OR (US)
- (72) Inventors: **Jason Attfield Sagen**, Portland, OR (US); **Scott A. McFadden**, Portland, OR (US); **Gian-Marco D'Angelo**, Portland, OR (US); **Kirk William Turner**, Tigard, OR (US)
- (73) Assignee: **Yakima Products, Inc.**, Lake Oswego, OR (US)
- (\*\*) Term: **15 Years**
- (21) Appl. No.: **29/682,988**
- (22) Filed: **Mar. 8, 2019**
- (51) **LOC (12) Cl.** ..... **03-01**
- (52) **U.S. Cl.**  
USPC ..... **D3/260**
- (58) **Field of Classification Search**  
USPC ..... D3/254, 201, 204, 221, 260, 261, 262, D3/273  
CPC ..... A01K 97/08; A01K 97/00; Y10S 224/922  
See application file for complete search history.

- D248,253 S \* 6/1978 Sugimoto ..... D3/260
- D254,696 S \* 4/1980 Adams ..... D3/260
- 4,546,877 A \* 10/1985 Evans ..... A01K 97/08  
206/315.1
- 4,572,416 A \* 2/1986 Upham ..... B60R 9/08  
224/326
- D284,423 S \* 7/1986 McCallum ..... D3/260
- 4,770,327 A \* 9/1988 Fortson ..... A01K 97/06  
220/533
- 4,967,504 A \* 11/1990 Craft ..... A01K 97/08  
43/26
- D316,327 S \* 4/1991 Craft ..... D3/260
- D318,371 S \* 7/1991 Leverette ..... D3/260
- D321,281 S \* 11/1991 Cooper ..... D3/260
- 5,341,590 A \* 8/1994 Hepworth ..... A01K 97/08  
206/315.11
- 5,425,194 A \* 6/1995 Miller ..... A01K 97/08  
206/315.11
- D364,374 S \* 11/1995 Elliott ..... D12/423

(Continued)

*Primary Examiner* — Mitchell I. Siegel

(74) *Attorney, Agent, or Firm* — Kolisch Hartwell, P.C.

(57) **CLAIM**

We claim the ornamental design for a fishing rod carrier, as shown.

**DESCRIPTION**

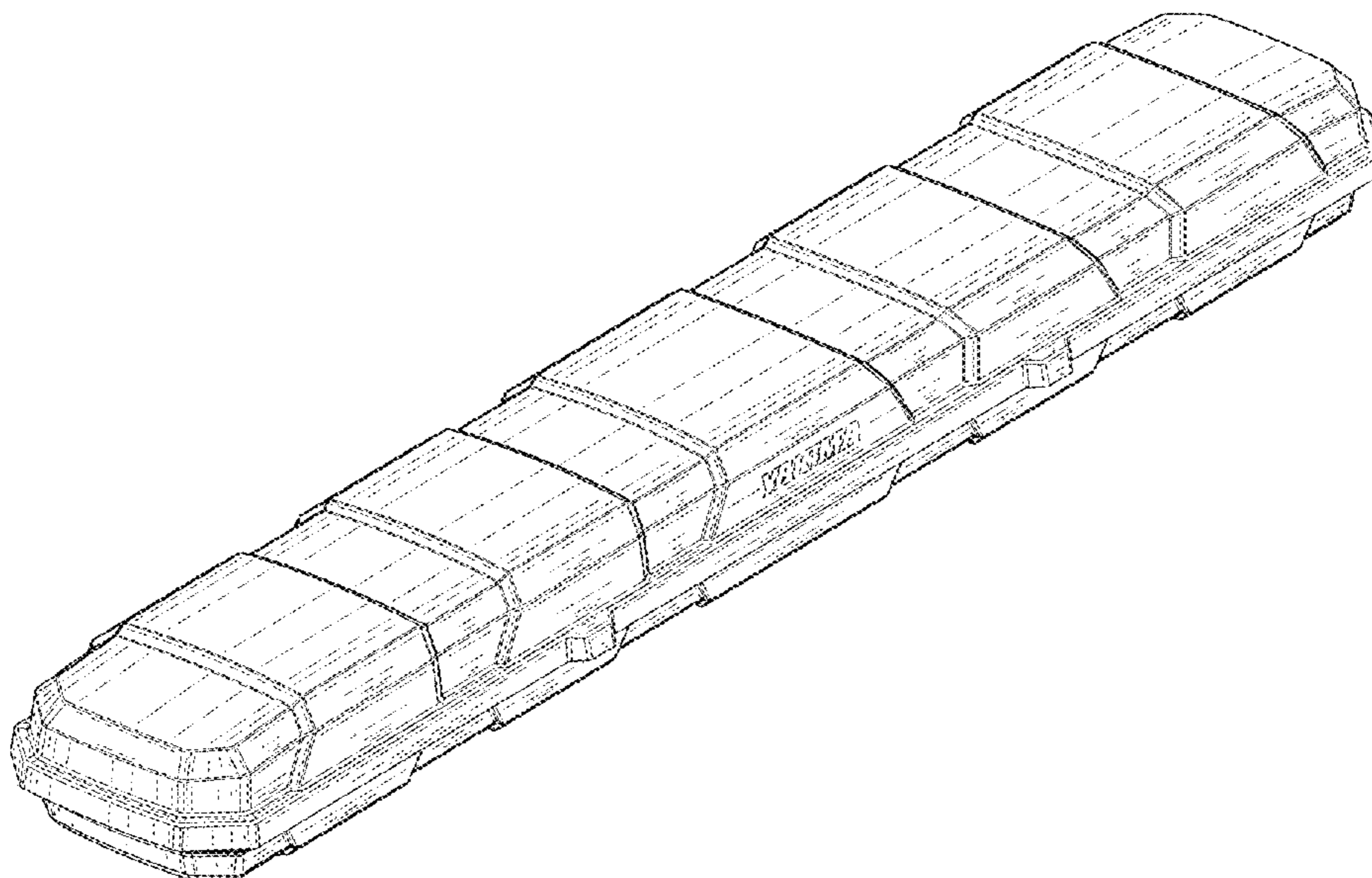
FIG. 1 is a front, top, and left view of a fishing rod carrier showing the new design;  
 FIG. 2 is a rear, bottom, and right view thereof;  
 FIG. 3 is a rear elevation view thereof;  
 FIG. 4 is a front elevation view thereof;  
 FIG. 5 is a left elevation view thereof;  
 FIG. 6 is a right elevation view thereof;  
 FIG. 7 is a top plan view thereof; and,  
 FIG. 8 is a bottom plan view thereof.  
 The broken lines shown are included for the purpose of illustrating unclaimed subject matter and forms no part of the claimed design.

**1 Claim, 4 Drawing Sheets**

(56) **References Cited**

U.S. PATENT DOCUMENTS

- D160,520 S \* 10/1950 Mowat ..... D3/260
- 2,650,449 A \* 9/1953 Suring ..... A01K 97/08  
43/26
- 2,749,645 A \* 6/1956 McKern ..... A01K 97/06  
43/26
- 3,138,306 A \* 6/1964 Bare ..... F41C 33/06  
206/317
- D226,407 S \* 2/1973 Donnan ..... D3/260
- D228,494 S \* 10/1973 Smith ..... D3/262
- D238,824 S \* 2/1976 Michal ..... D3/260
- D238,825 S \* 2/1976 Michal ..... D3/260



(56)

**References Cited**

U.S. PATENT DOCUMENTS

D410,333 S \* 6/1999 Coca ..... D3/260  
D453,622 S \* 2/2002 McClenahan ..... D3/260  
D458,747 S \* 6/2002 Hields ..... D3/260  
6,760,994 B2 \* 7/2004 Henault ..... A01K 97/08  
206/315.11  
D530,085 S \* 10/2006 Quinnan ..... D3/260  
D653,446 S \* 2/2012 Bode ..... D3/260  
D691,800 S \* 10/2013 Kallas ..... D3/260  
D822,991 S \* 7/2018 Sorokin ..... D3/262  
10,375,944 B2 \* 8/2019 Smigaj ..... B60R 9/08  
D861,340 S \* 10/2019 Deng ..... D3/262

\* cited by examiner

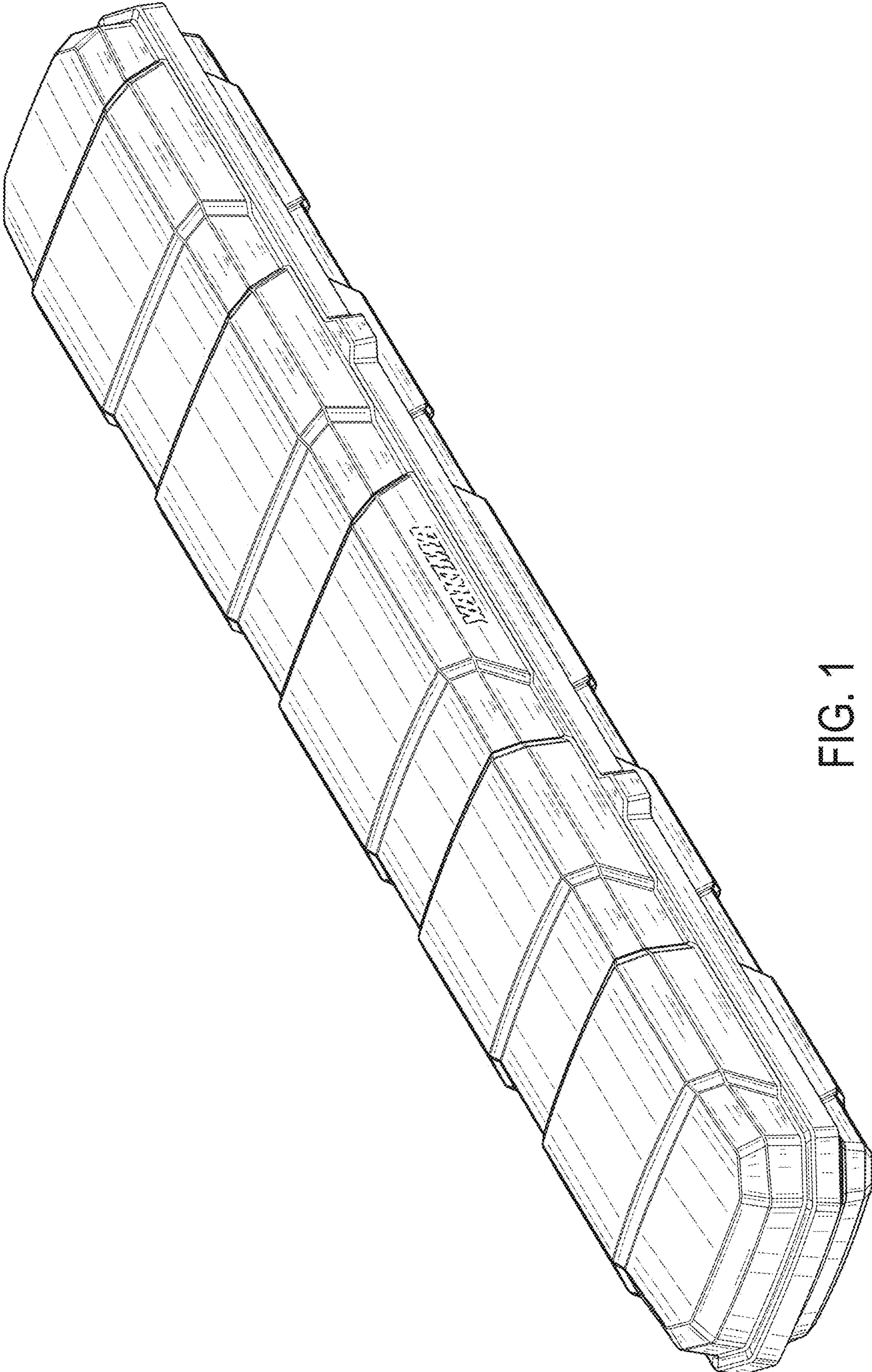


FIG. 1

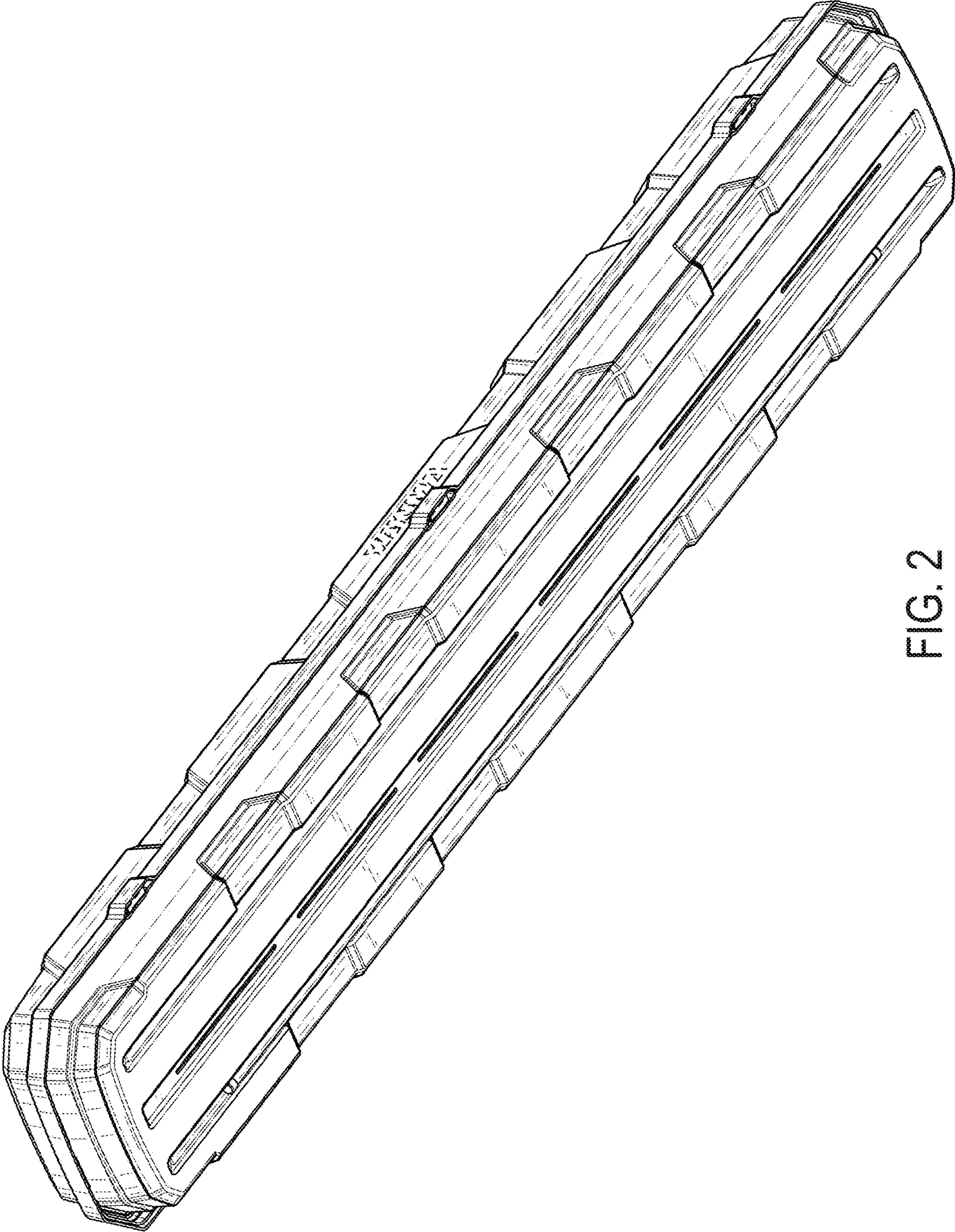


FIG. 2

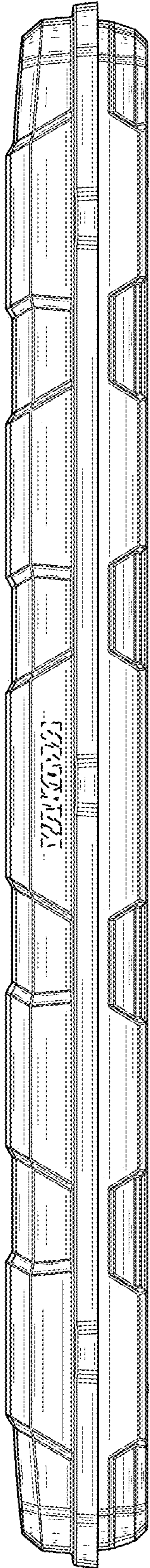


FIG. 3

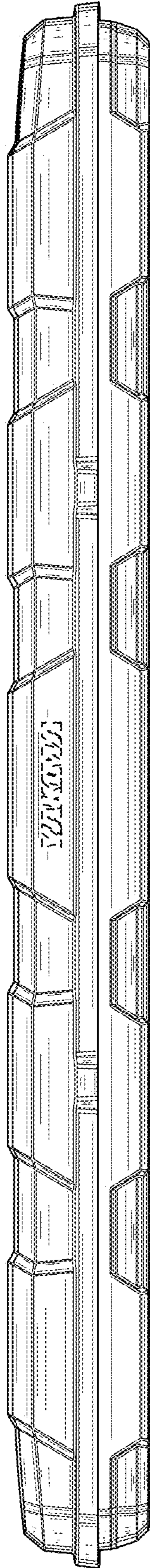


FIG. 4

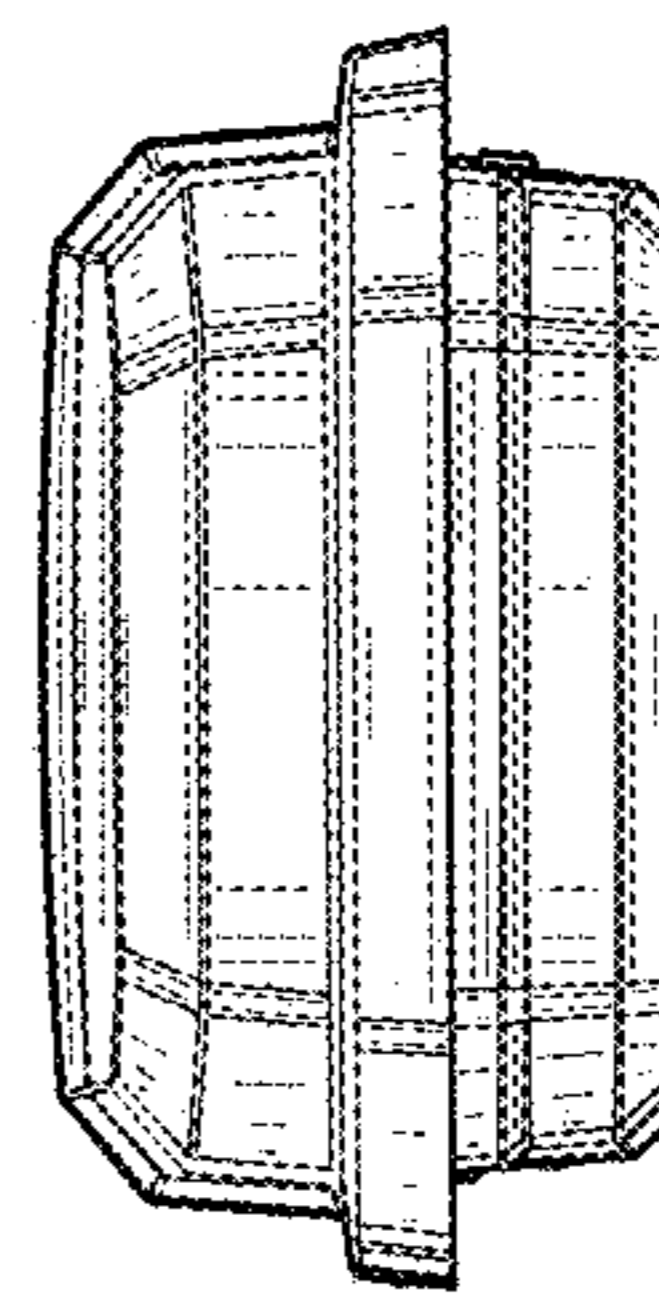


FIG. 5

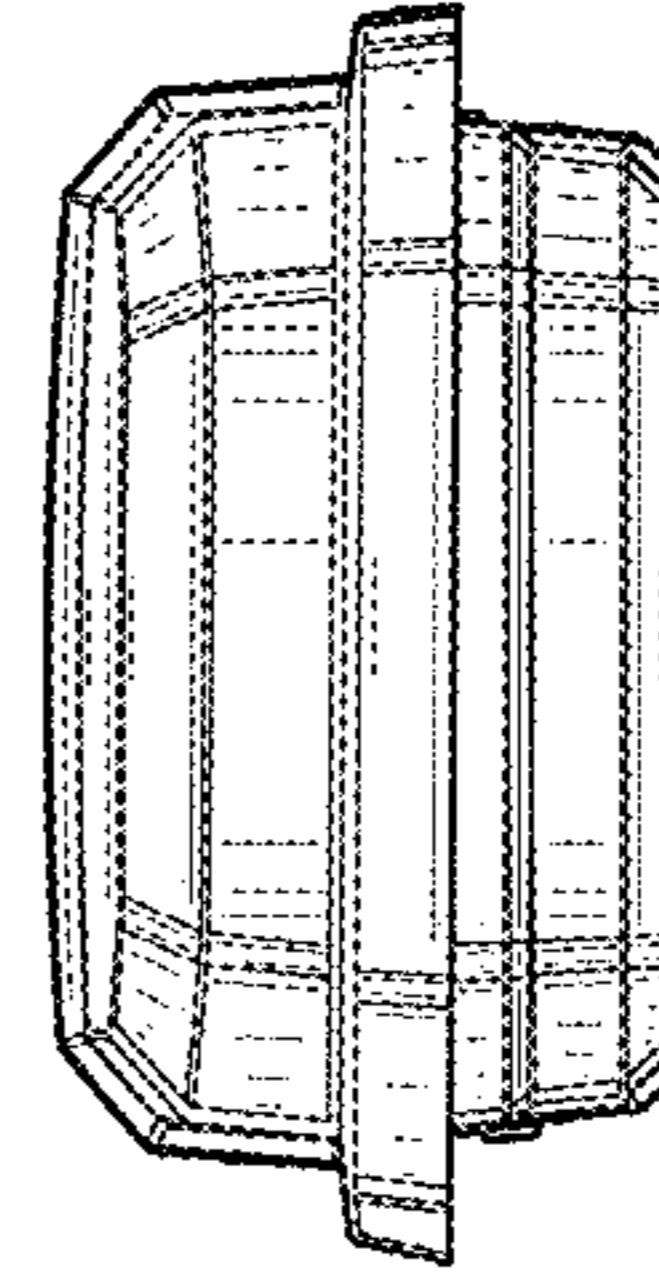


FIG. 6

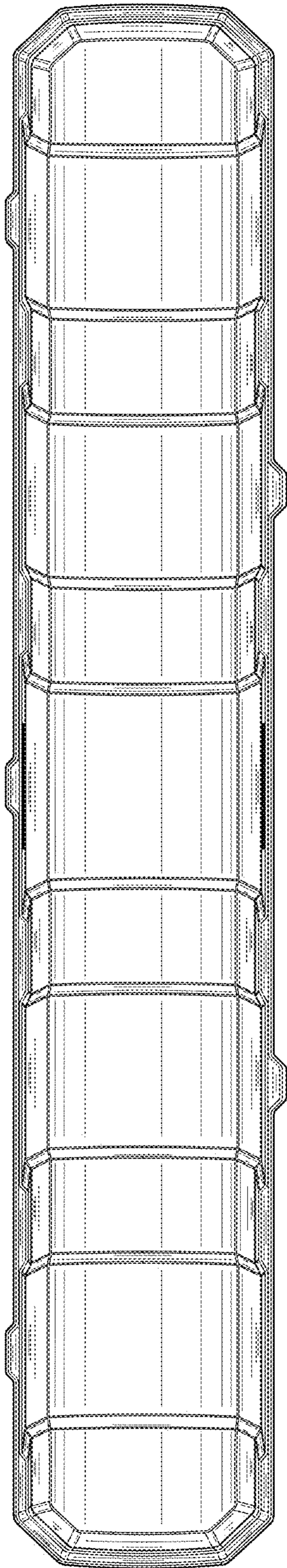


FIG. 7

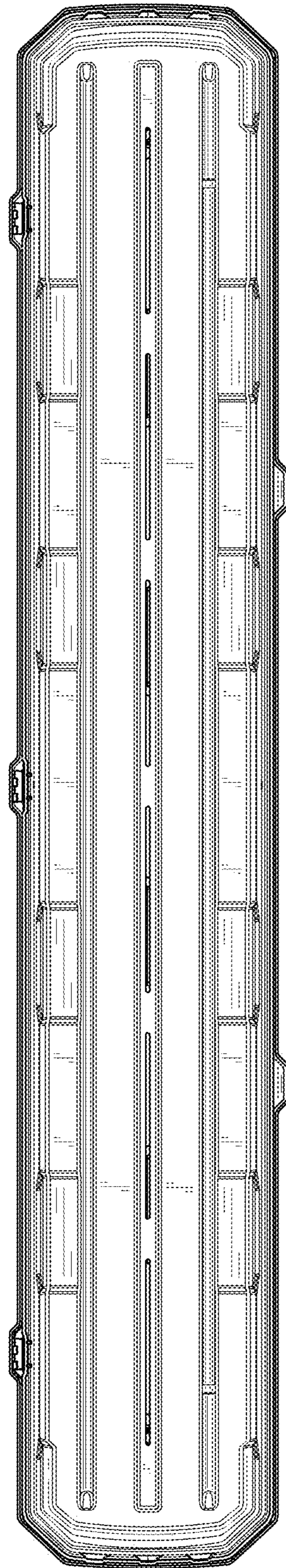


FIG. 8