



US00D896511S

(12) **United States Design Patent**
Case et al.

(10) **Patent No.:** **US D896,511 S**

(45) **Date of Patent:** **** *Sep. 22, 2020**

(54) **WATERPROOF WALLET**

(71) Applicant: **Nite Ize, Inc.**, Boulder, CO (US)

(72) Inventors: **Rick Case**, Boulder, CO (US); **Michael C. Boyd**, Boulder, CO (US); **Bowden Ormsbee**, Longmont, CO (US); **Dale Karacostas**, Boulder, CO (US); **Clint Todd**, Boulder, CO (US); **Carley Mulder**, Boulder, CO (US)

(73) Assignee: **NITE IZE, INC.**, Boulder, CO (US)

(*) Notice: This patent is subject to a terminal disclaimer.

(**) Term: **15 Years**

(21) Appl. No.: **29/672,459**

(22) Filed: **Dec. 5, 2018**

(51) **LOC (12) Cl.** **03-01**

(52) **U.S. Cl.**
USPC **D3/247**

(58) **Field of Classification Search**
USPC D3/247, 249-253, 303
CPC A45C 1/06; A45C 3/08
See application file for complete search history.

(56) **References Cited**

U.S. PATENT DOCUMENTS

D262,753 S * 1/1982 Salata D3/319
D402,105 S * 12/1998 Erickson D3/215

D709,700 S * 7/2014 Nunez D3/303
D709,701 S * 7/2014 Coleman D3/303
D710,106 S * 8/2014 Coleman D3/303
D713,644 S * 9/2014 Johnson D3/303
D751,815 S * 3/2016 Pedrazzi D3/245
D807,640 S * 1/2018 Goldszer D3/303

* cited by examiner

Primary Examiner — Holly H Baynham

(74) *Attorney, Agent, or Firm* — Haynes and Boone, LLP

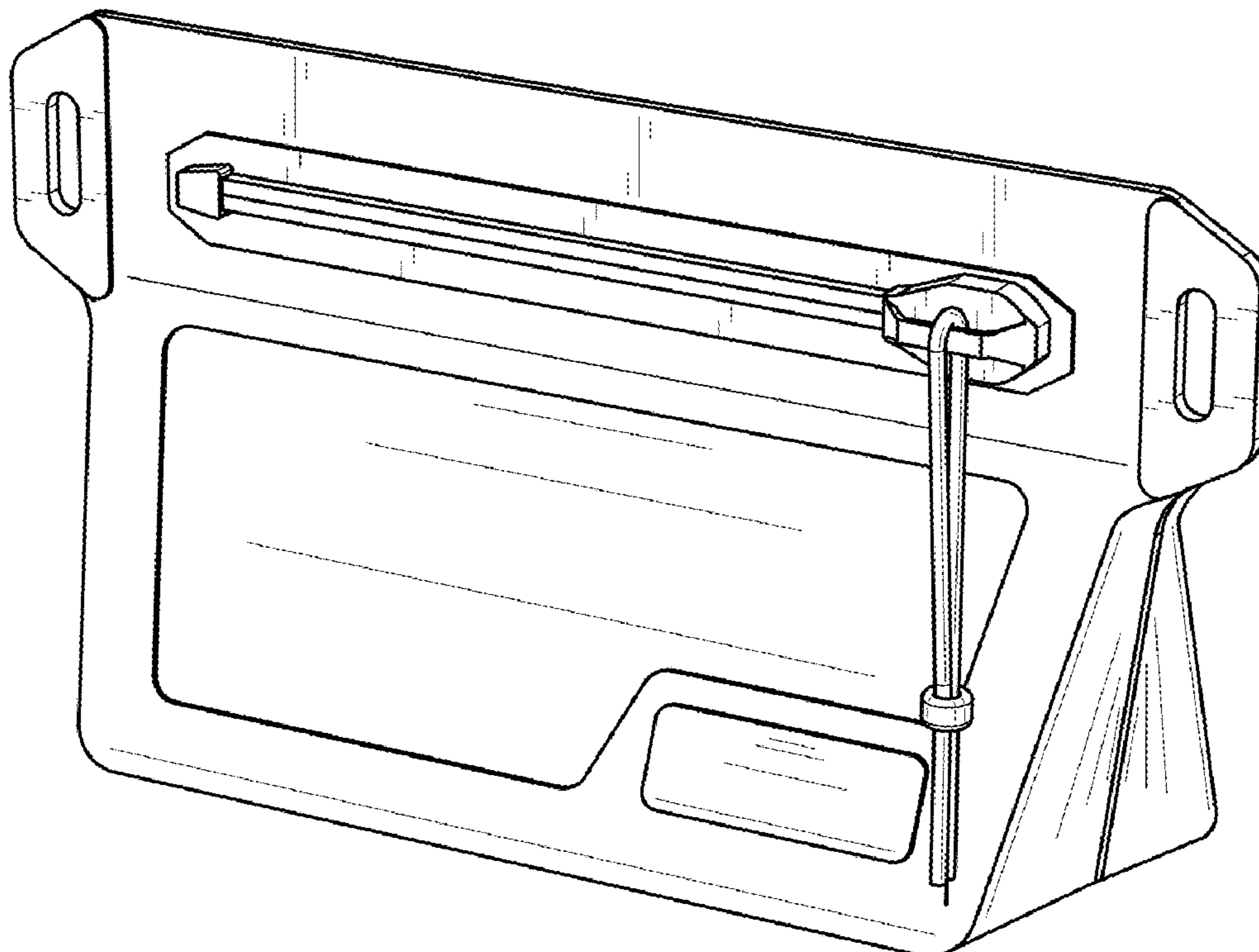
(57) **CLAIM**

The ornamental design for the waterproof wallet, as shown and described.

DESCRIPTION

FIG. 1 shows a front perspective view of a waterproof wallet;
FIG. 2 shows a rear perspective view of the waterproof wallet of FIG. 1;
FIG. 3 shows a front view of the waterproof wallet of FIG. 1;
FIG. 4 shows a rear view of the waterproof wallet of FIG. 1;
FIG. 5 shows a left-side view of the waterproof wallet of FIG. 1;
FIG. 6 shows a right-side view of the waterproof wallet of FIG. 1;
FIG. 7 shows a top view of the waterproof wallet of FIG. 1; and,
FIG. 8 shows a bottom view of the waterproof wallet of FIG. 1.

1 Claim, 8 Drawing Sheets



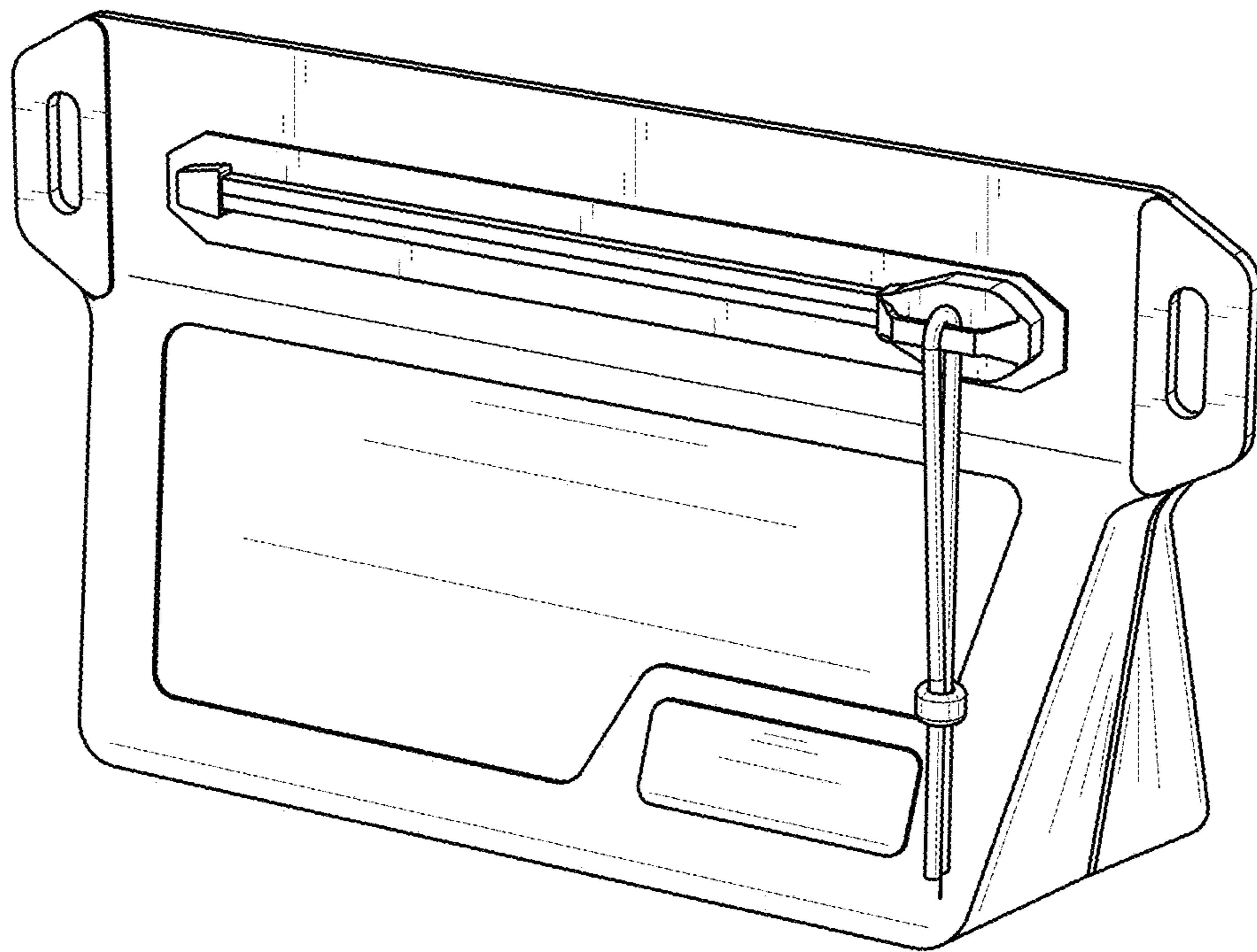


FIG. 1

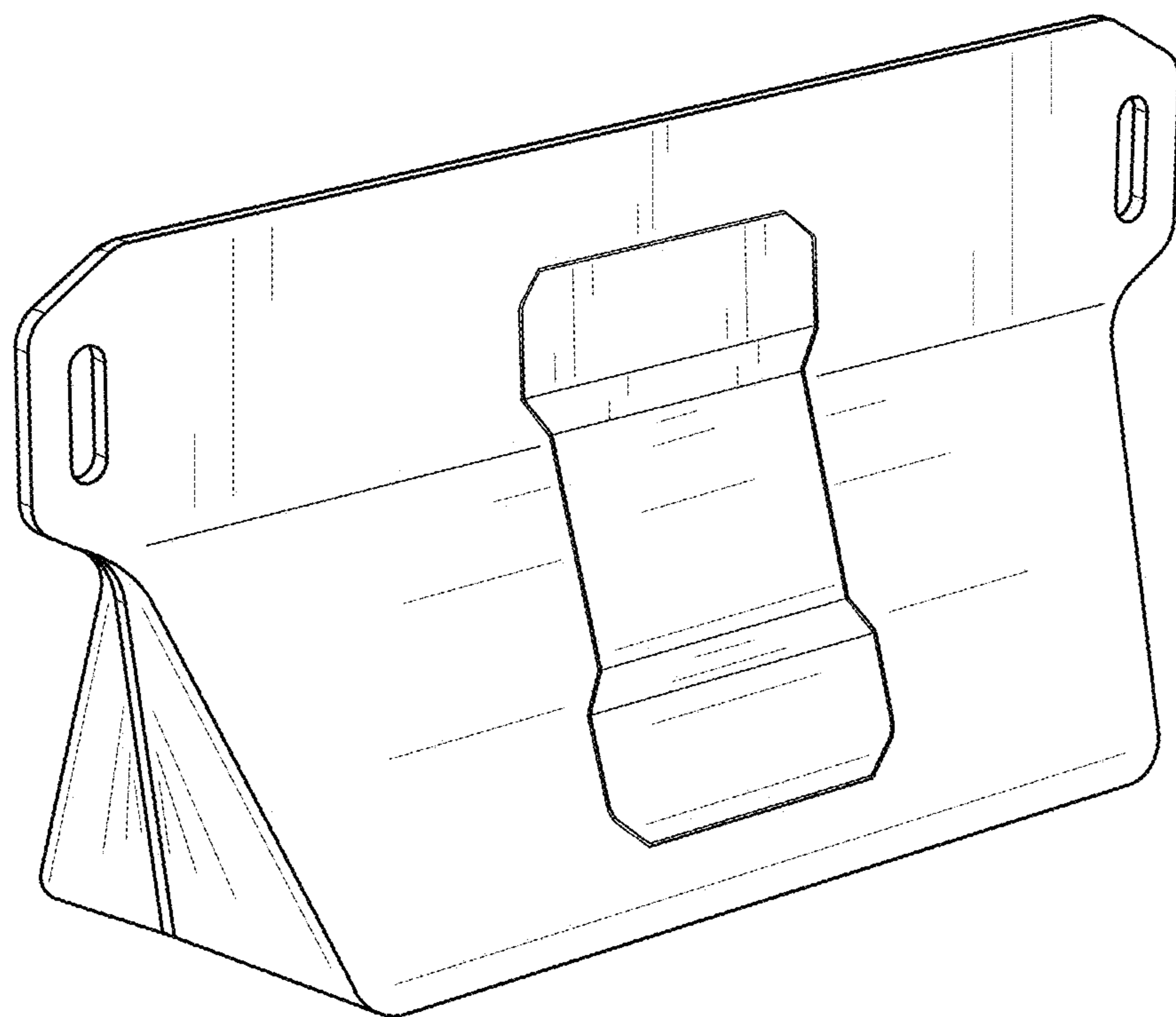


FIG. 2

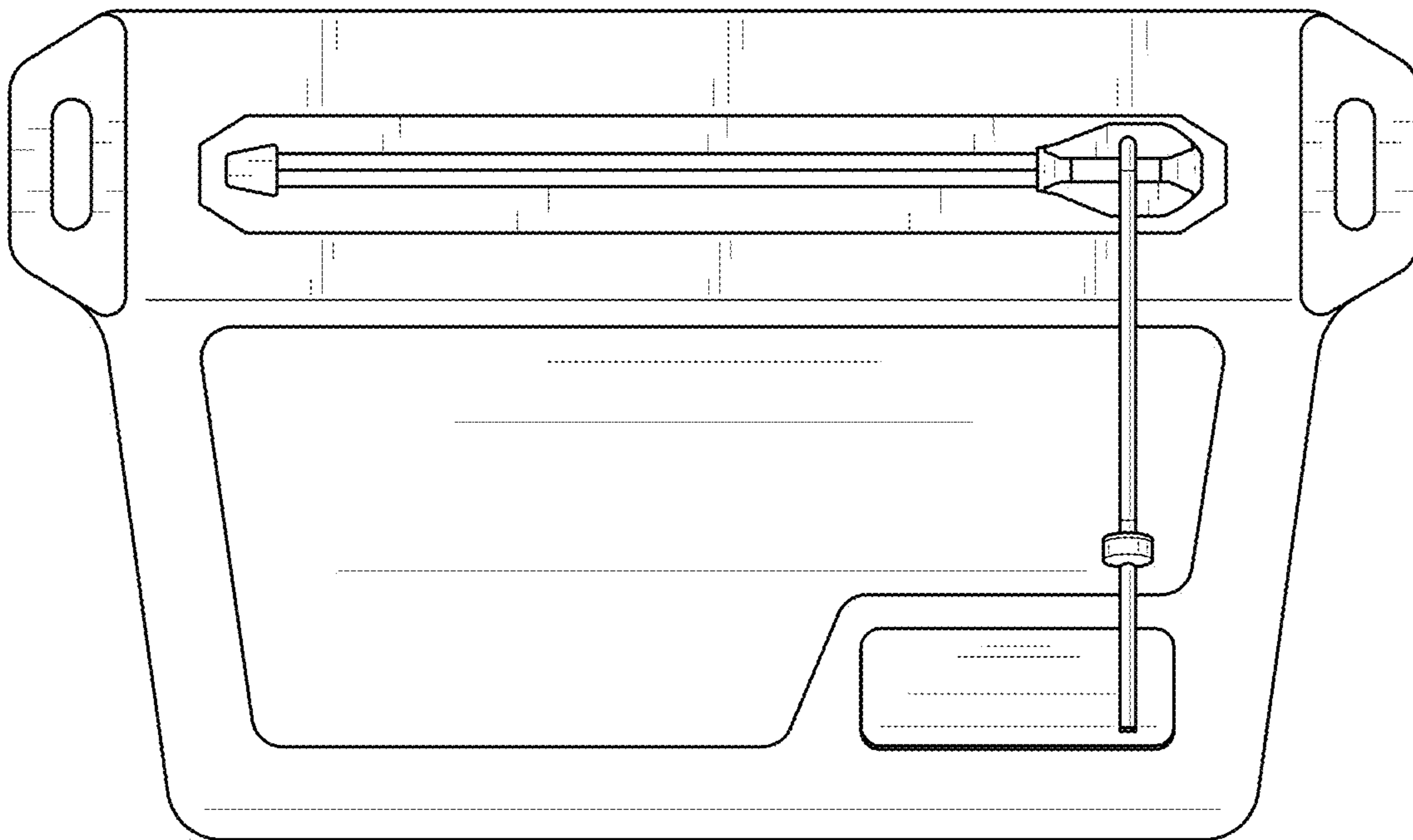


FIG. 3

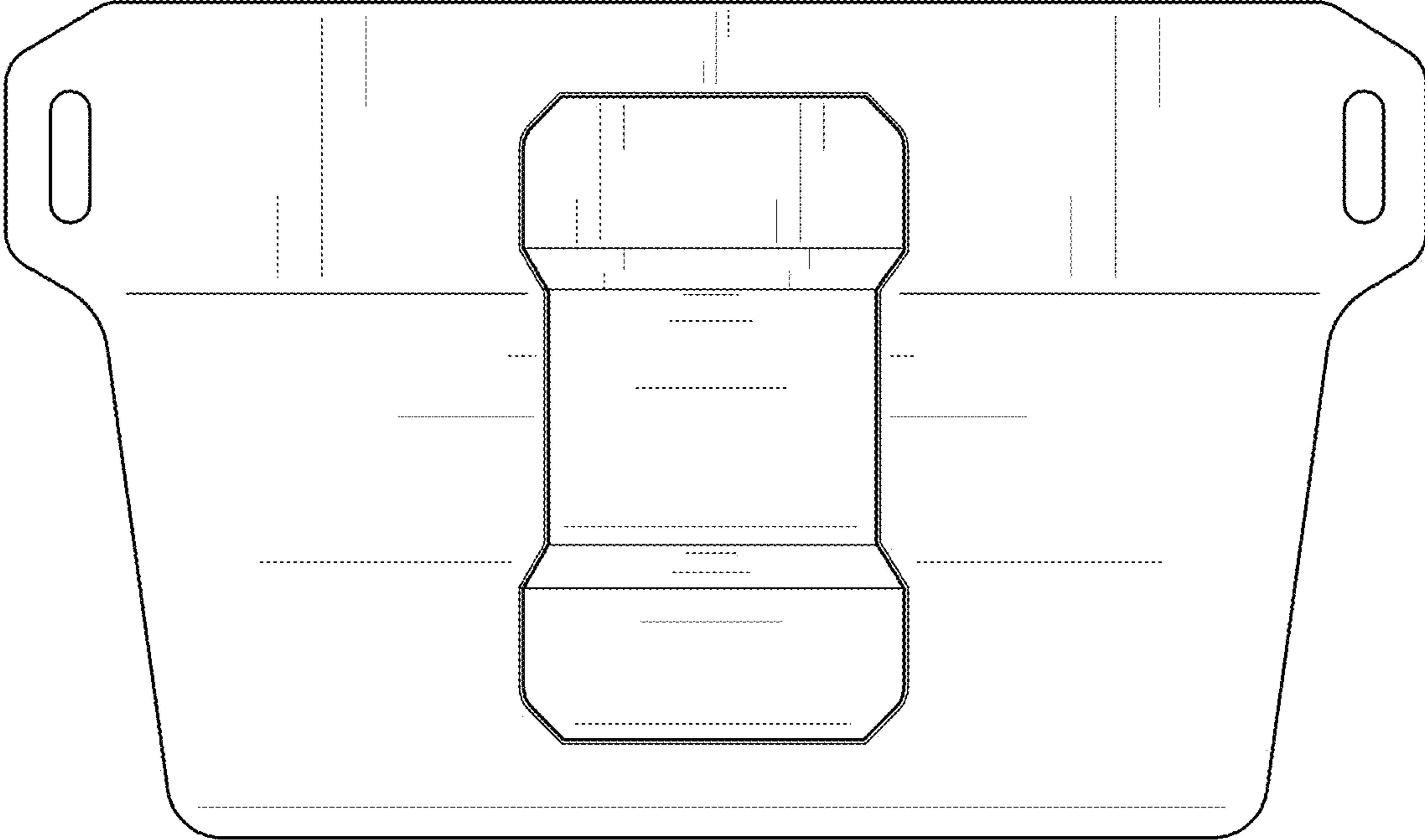


FIG. 4

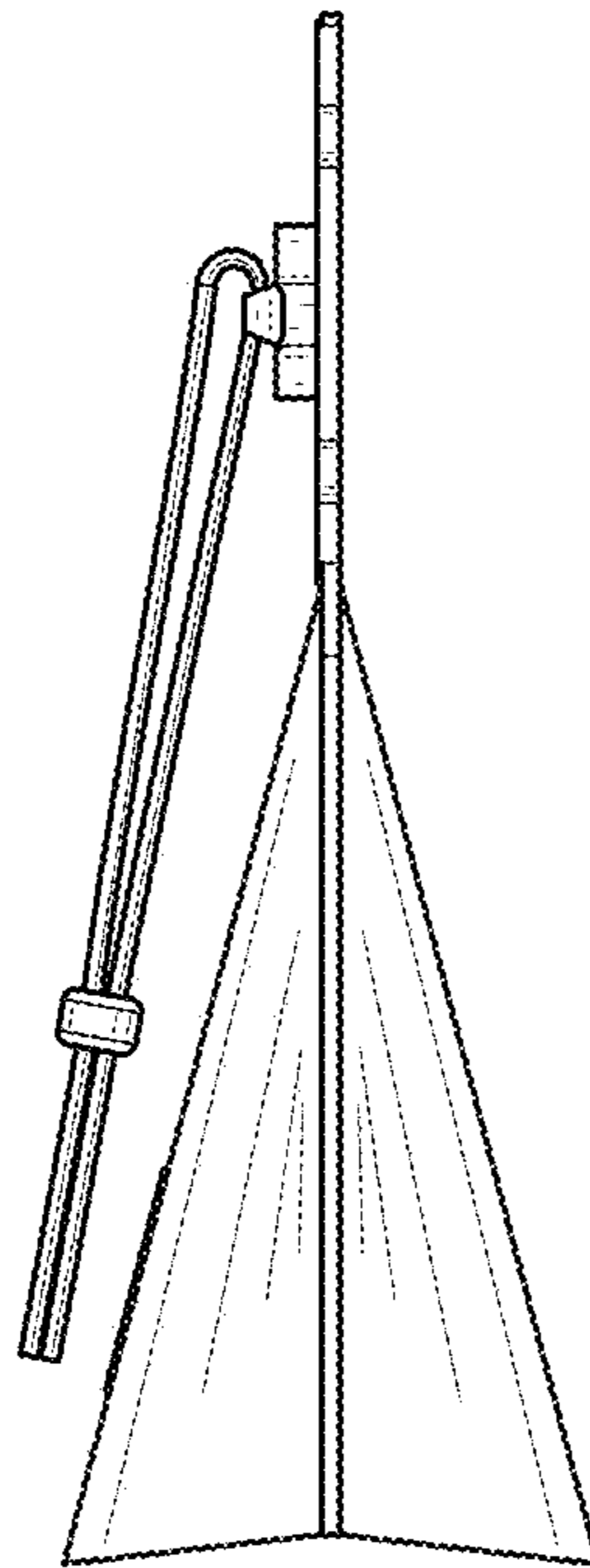


FIG. 5

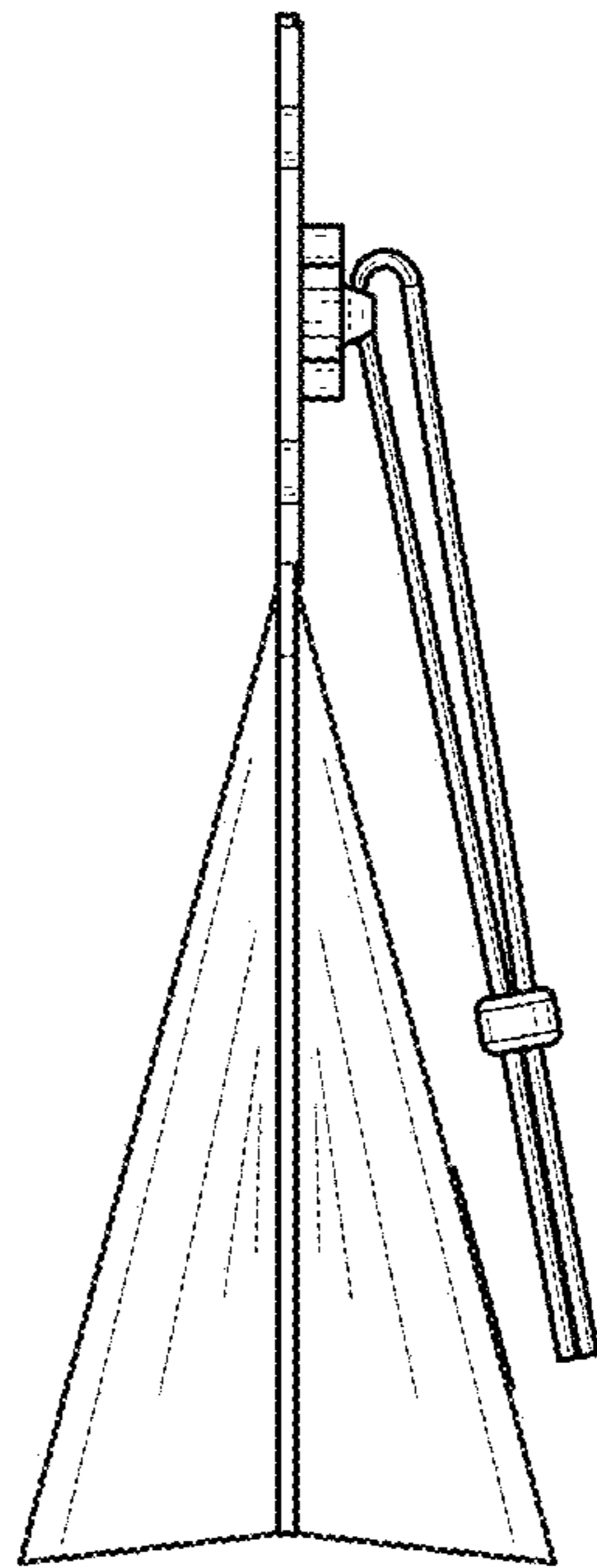


FIG. 6

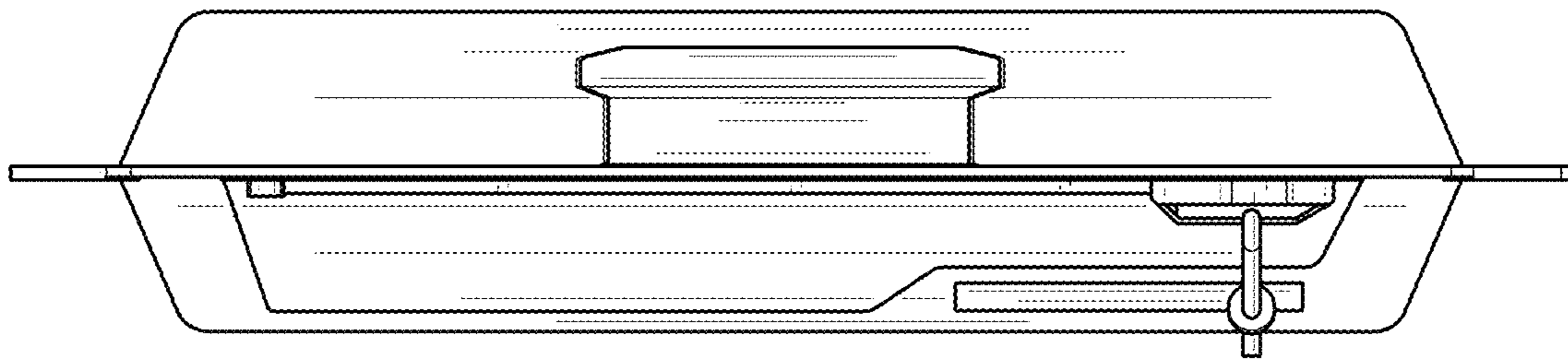


FIG. 7

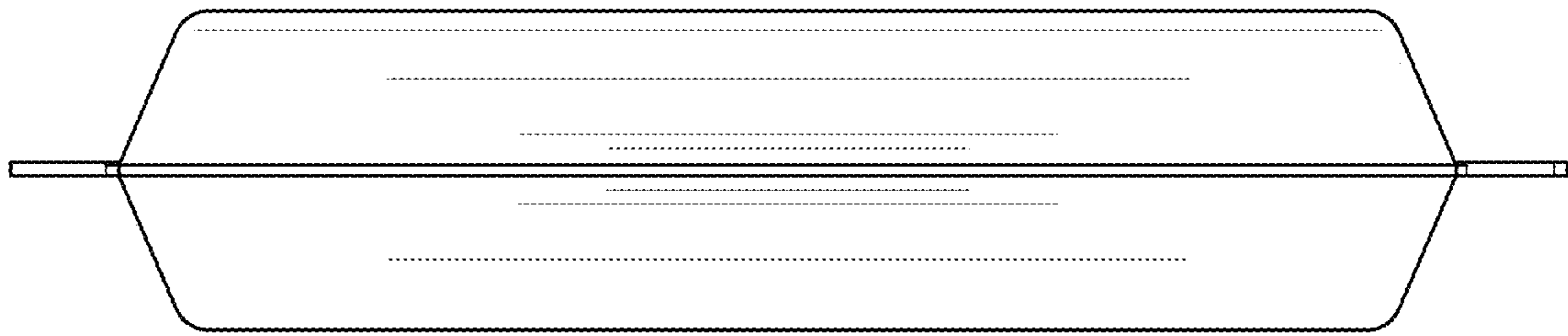


FIG. 8