

US00D896506S

(12) **United States Design Patent**  
**Anderson**

(10) **Patent No.:** **US D896,506 S**

(45) **Date of Patent:** **\*\* Sep. 22, 2020**

(54) **WALLET**

(71) Applicant: **WESTSIDE INNOVATIONS INC.**,  
Surrey (CA)

(72) Inventor: **Scott D. Anderson**, Surrey (CA)

(73) Assignee: **Westside Innovations Inc.**, Surrey,  
British Columbia (CA)

(\*\*) Term: **15 Years**

(21) Appl. No.: **29/686,704**

(22) Filed: **Apr. 5, 2019**

(51) **LOC (12) Cl.** ..... **03-01**

(52) **U.S. Cl.**  
USPC ..... **D3/232**

(58) **Field of Classification Search**  
USPC ..... D3/247, 249–253  
CPC ..... A45C 1/06; A45C 3/08  
See application file for complete search history.

(56) **References Cited**

**U.S. PATENT DOCUMENTS**

D690,931 S	*	10/2013	Minn	.....	D3/247
D695,013 S	*	12/2013	Minn	.....	D3/247
D768,383 S	*	10/2016	Wu	.....	D3/247
D775,824 S	*	1/2017	King	.....	D3/247
D780,449 S	*	3/2017	King	.....	D3/247
D798,591 S	*	10/2017	King	.....	D3/247
D806,386 S	*	1/2018	King	.....	D3/247
D814,182 S	*	4/2018	Haarburger	.....	D3/247

D814,183 S	*	4/2018	Haarburger	.....	D3/247
D817,316 S	*	5/2018	Srour	.....	D14/251
10,080,409 B2	*	9/2018	King	.....	A45C 11/182
D831,349 S	*	10/2018	Deng	.....	D3/247
D835,410 S	*	12/2018	Chan	.....	D3/247

\* cited by examiner

*Primary Examiner* — Holly H Baynham

(74) *Attorney, Agent, or Firm* — Kanika Radhakrishnan;  
Evergreen Valley Law Group

(57) **CLAIM**

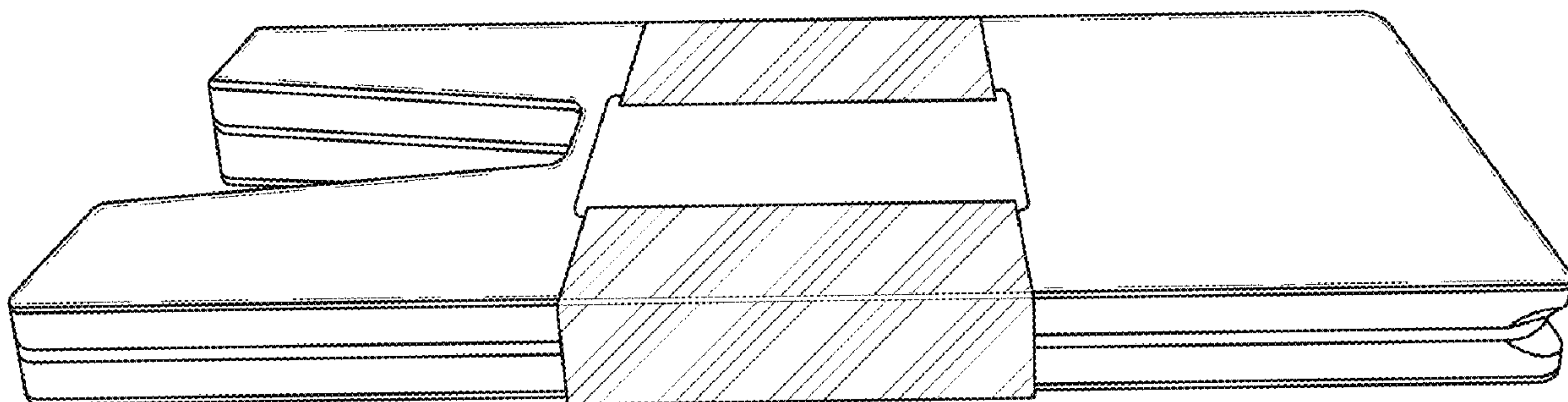
The ornamental design for a “wallet,” as shown and described.

**DESCRIPTION**

FIG. 1 is a perspective view of a wallet, in accordance with an embodiment of the present disclosure; FIG. 2 is a top view of the wallet of FIG. 1; FIG. 3 is a bottom view of the wallet of FIG. 1; FIG. 4 is a left side view of the wallet of FIG. 1, the right side being a mirror image thereof; FIG. 5 is a front view of the wallet of FIG. 1; FIG. 6 is a rear view of the wallet of FIG. 1; FIG. 7 is a perspective view of the wallet of FIG. 1 in closed position holding multiple cards and a currency bill; and, FIG. 8 is a perspective view of the wallet of FIG. 1 in open position holding multiple cards and a currency bill.

The evenly spaced broken lines showing currency and a partial hand are for the purposes of illustrating environment and form no part of the claimed design. The dot-dashed lines represent stitching and form no part of the claimed design.

**1 Claim, 8 Drawing Sheets**



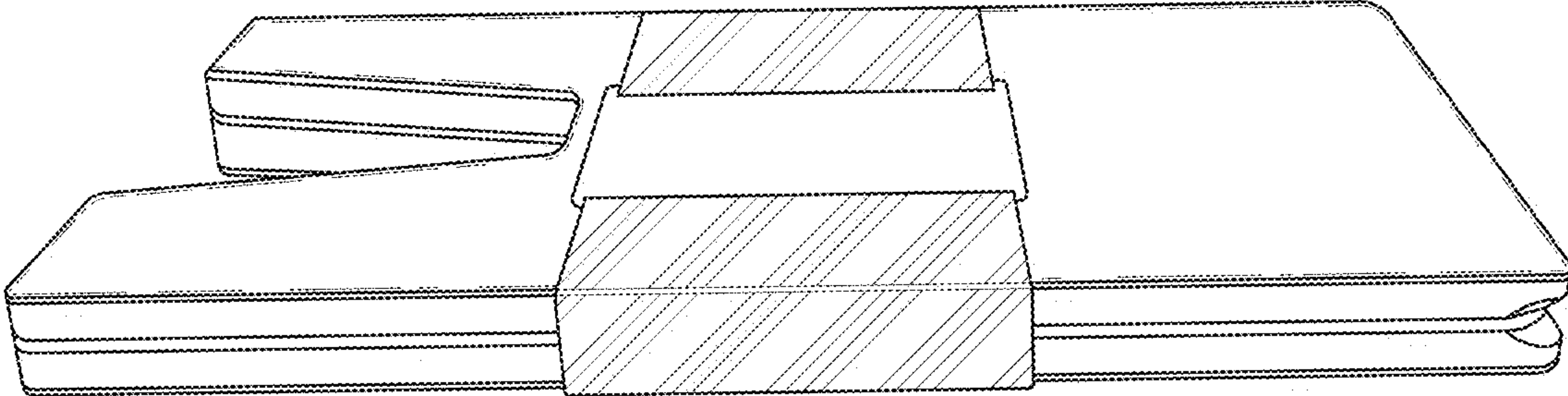


FIG. 1

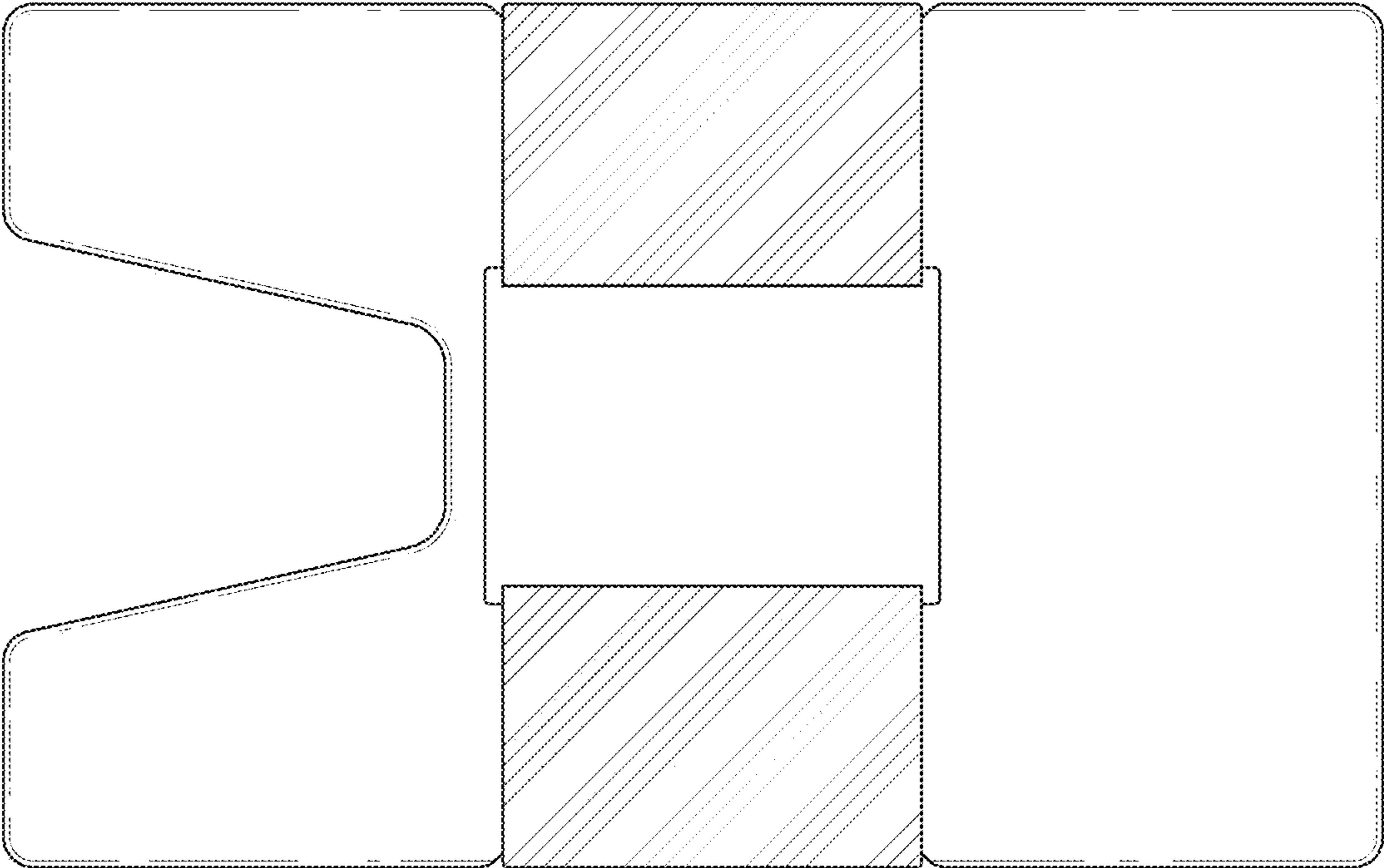


FIG. 2

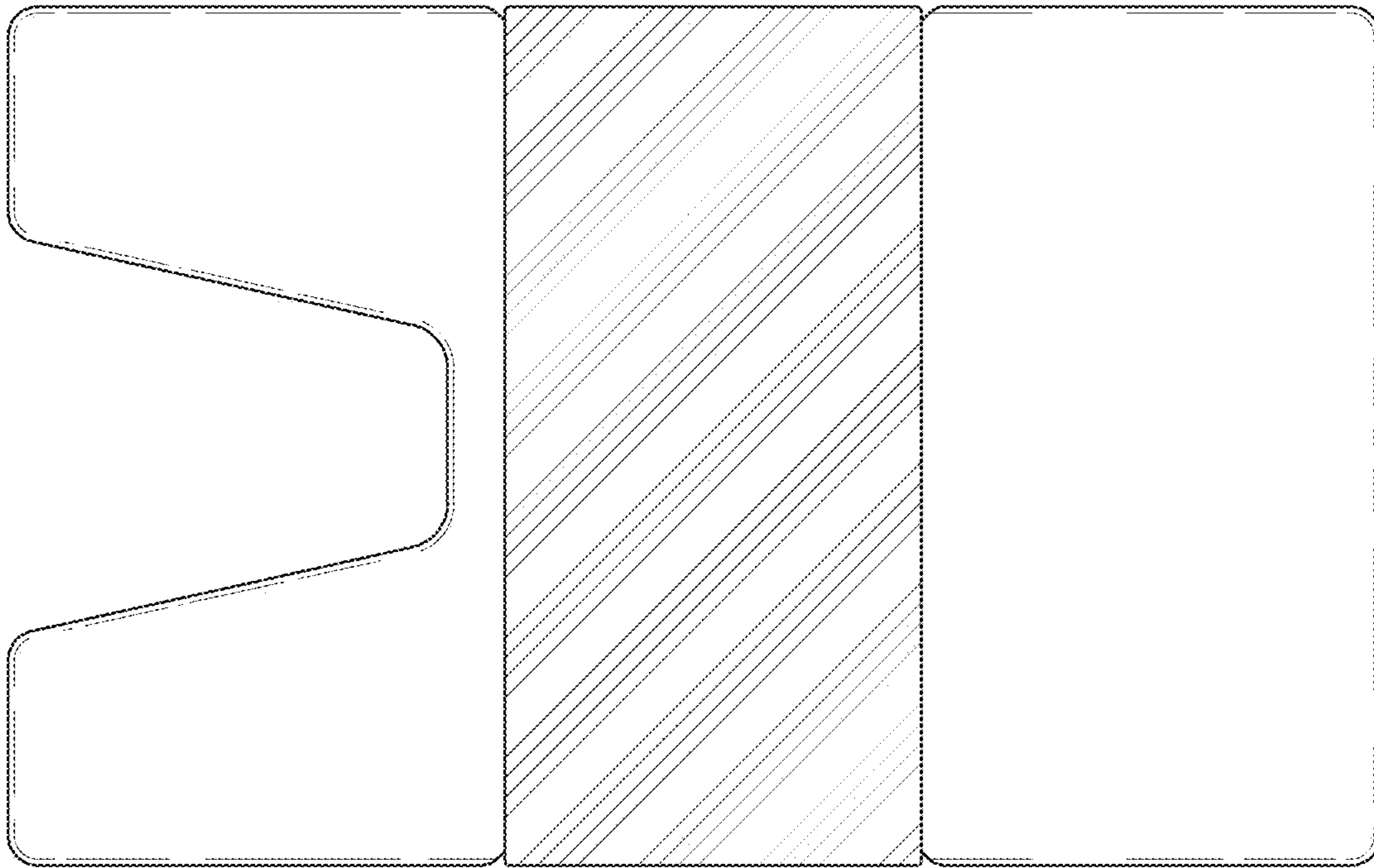


FIG. 3

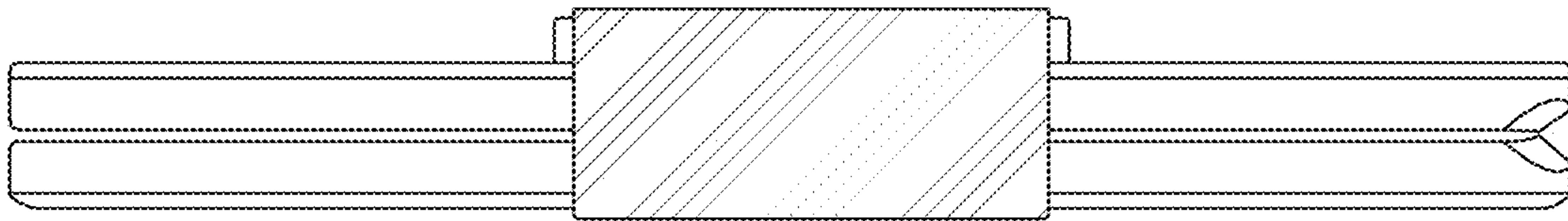


FIG. 4

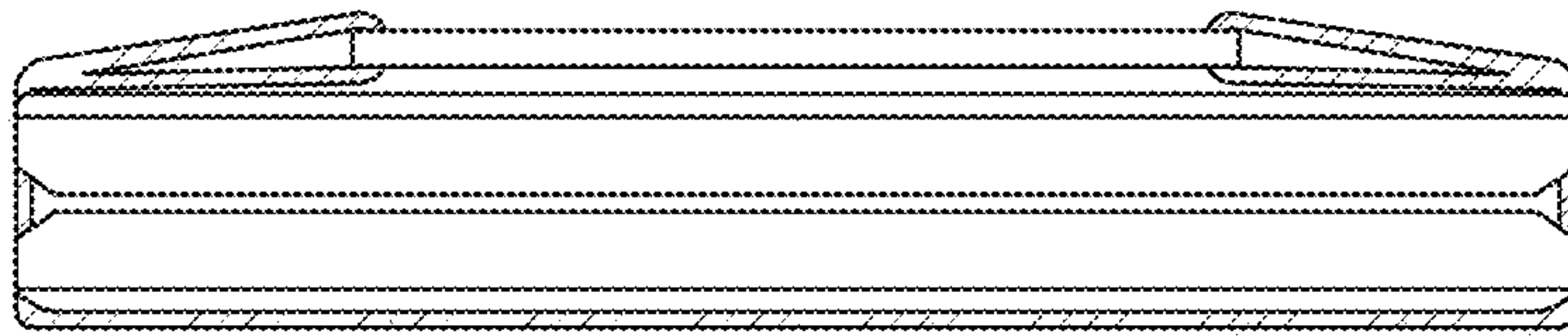


FIG. 5

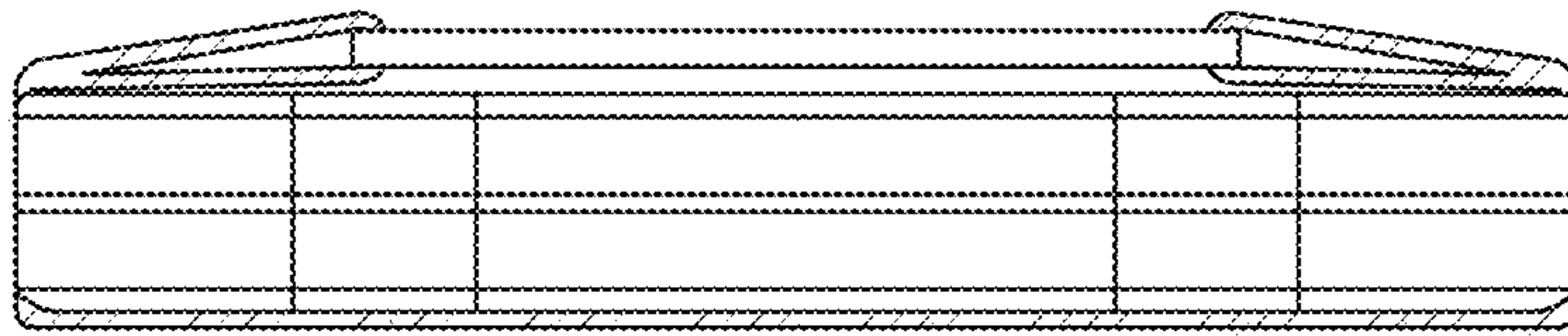


FIG. 6



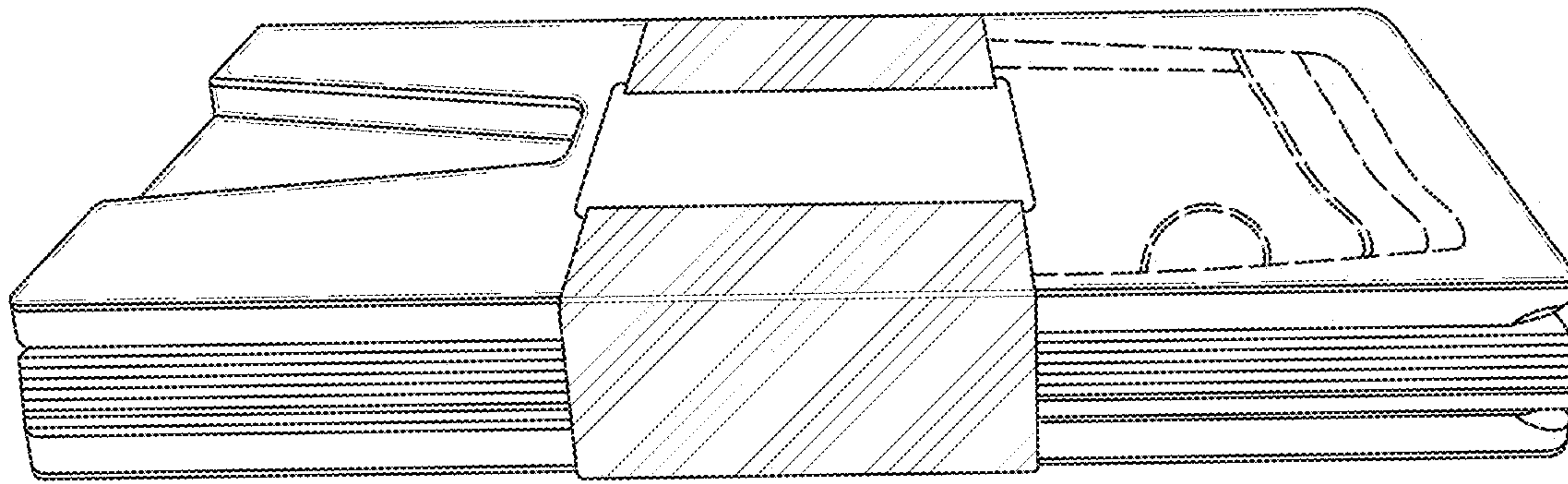


FIG. 7



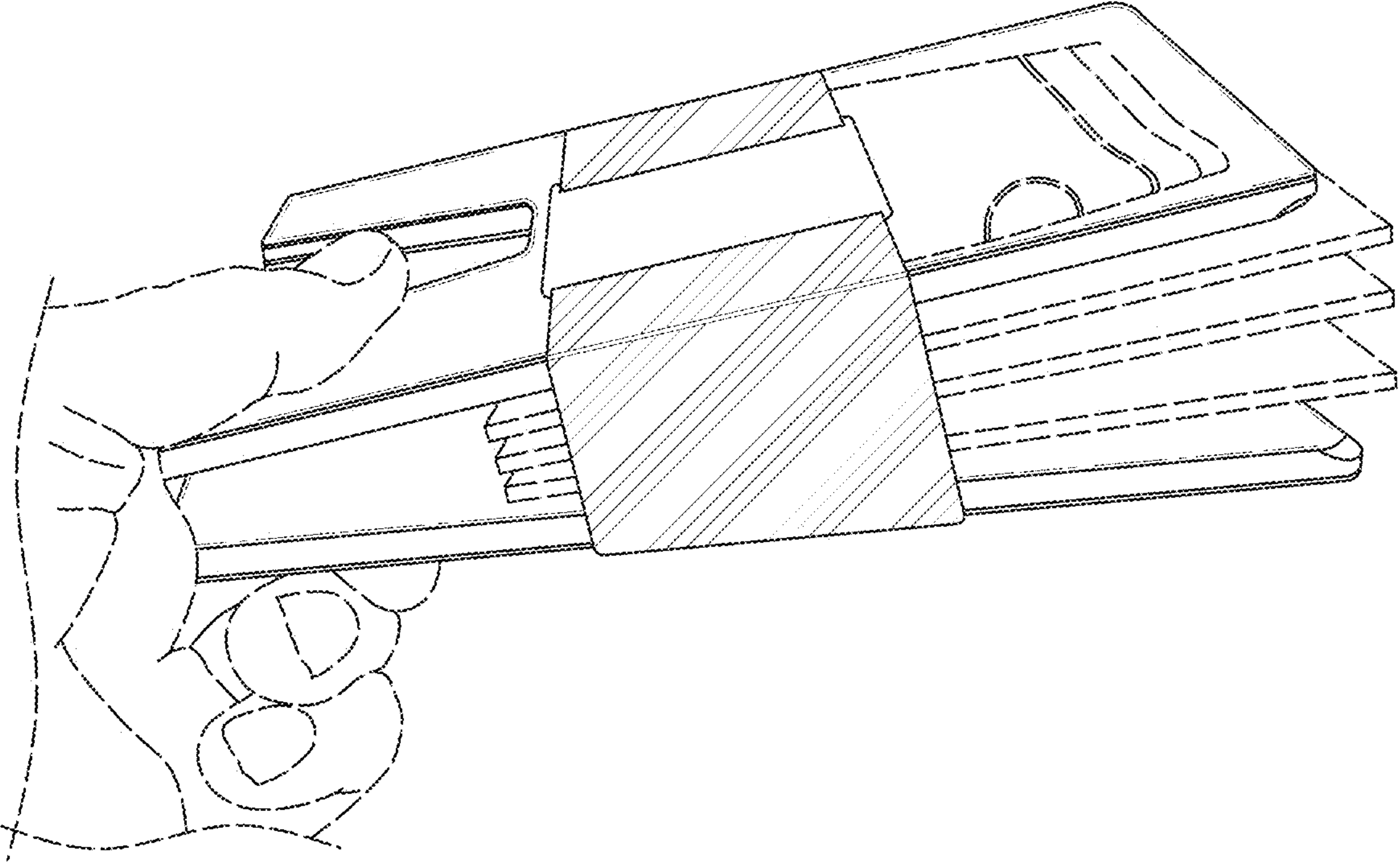


FIG. 8