



US00D896504S

(12) **United States Design Patent**
Li

(10) **Patent No.:** **US D896,504 S**

(45) **Date of Patent:** **** Sep. 22, 2020**

(54) **DIAPER BAG**

(71) Applicant: **TINGTAO SUNVENO CO., LTD.**,
Qingdao, Shandong Province (CN)

(72) Inventor: **Hongling Li**, Qingdao (CN)

(73) Assignee: **TINGTAO SUNVENO CO., LTD.**,
Qingdao (CN)

(**) Term: **15 Years**

(21) Appl. No.: **29/657,557**

(22) Filed: **Jul. 24, 2018**

(51) **LOC (12) Cl.** **03-01**

(52) **U.S. Cl.**
USPC **D3/217**

(58) **Field of Classification Search**
USPC D3/201, 213–219, 221, 224, 225, 229,
D3/230, 232, 243–246, 254, 318;
D30/108, 109
CPC A45F 3/04; A45F 4/02; A45F 2200/0525;
A45F 2003/045; A45C 11/00; A45C
13/30; A45C 2011/002; A45C 2011/003;
A45C 2011/001; A45C 15/00
See application file for complete search history.

(56) **References Cited**

U.S. PATENT DOCUMENTS

D457,307 S * 5/2002 Pukall D3/216
D487,189 S * 3/2004 Ukitsu D3/215
D517,800 S * 3/2006 de Baschmakoff D3/216

D690,095 S * 9/2013 Garcia D3/217
D714,541 S * 10/2014 Anderson D3/217
D742,632 S * 11/2015 Amago D3/217
D770,761 S * 11/2016 Deioma D3/217
D861,329 S * 10/2019 Wei D3/217
10,442,599 B2 * 10/2019 Seiders B65D 25/18

* cited by examiner

Primary Examiner — Jennifer L Watkins

(74) *Attorney, Agent, or Firm* — Alan D. Kamrath; Karin
L. Williams; Mayer & Williams PC

(57) **CLAIM**

The ornamental design for a diaper bag, as shown and
described.

DESCRIPTION

FIG. 1 is a front perspective view of a diaper bag showing
our new design;
FIG. 2 is a front perspective view of a diaper bag showing
an in-use status;
FIG. 3 is a front elevational view thereof;
FIG. 4 is a rear elevational view thereof;
FIG. 5 is a left elevational view thereof;
FIG. 6 is a right elevational view thereof;
FIG. 7 is a top plan view thereof; and,
FIG. 8 is a bottom plan view thereof.
The broken lines in the figures depict stitching and form no
part of the claim.
The broken lines showing zipper tread depict claimed por-
tions of the diaper bag.

1 Claim, 8 Drawing Sheets

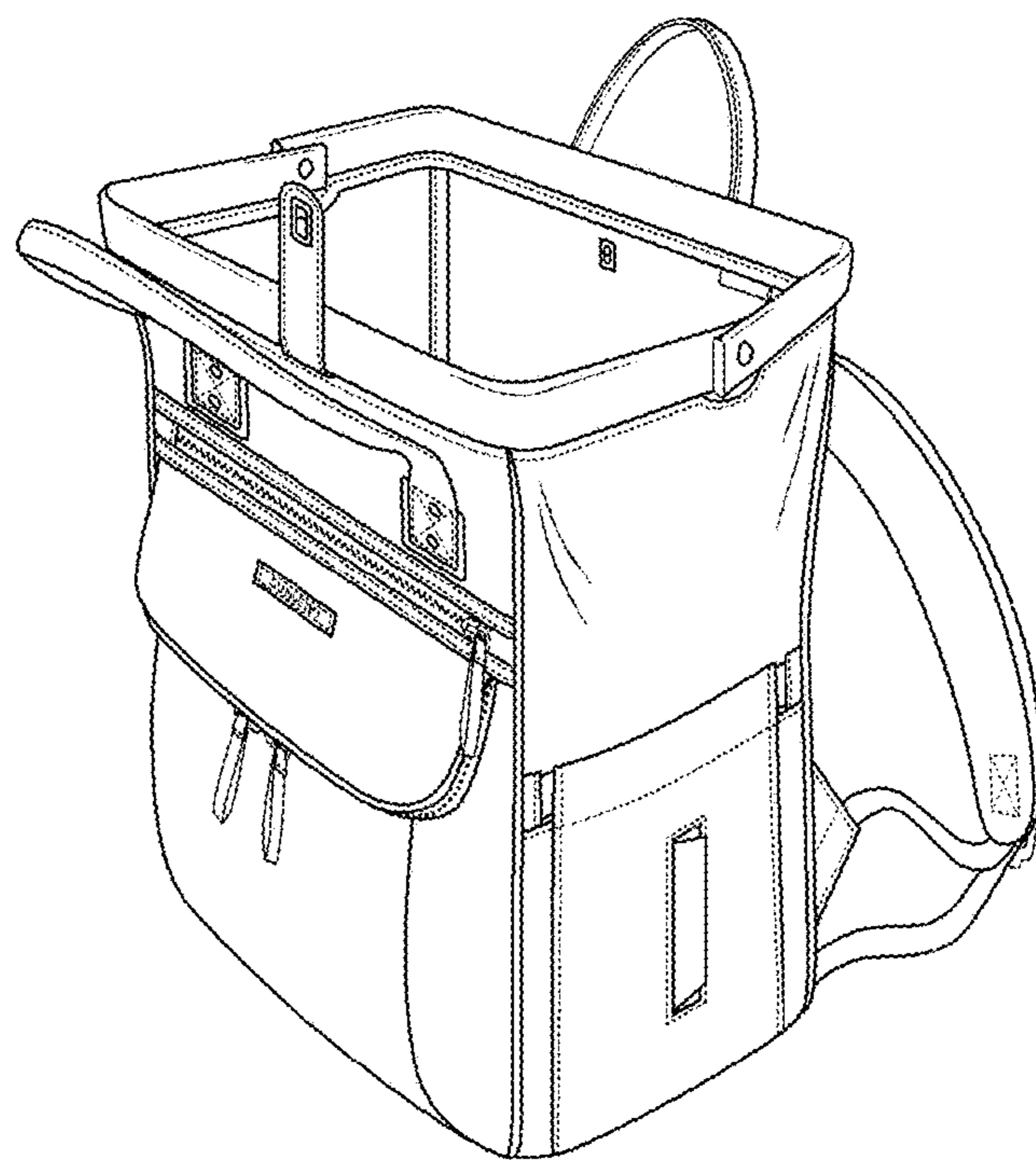




FIG. 1

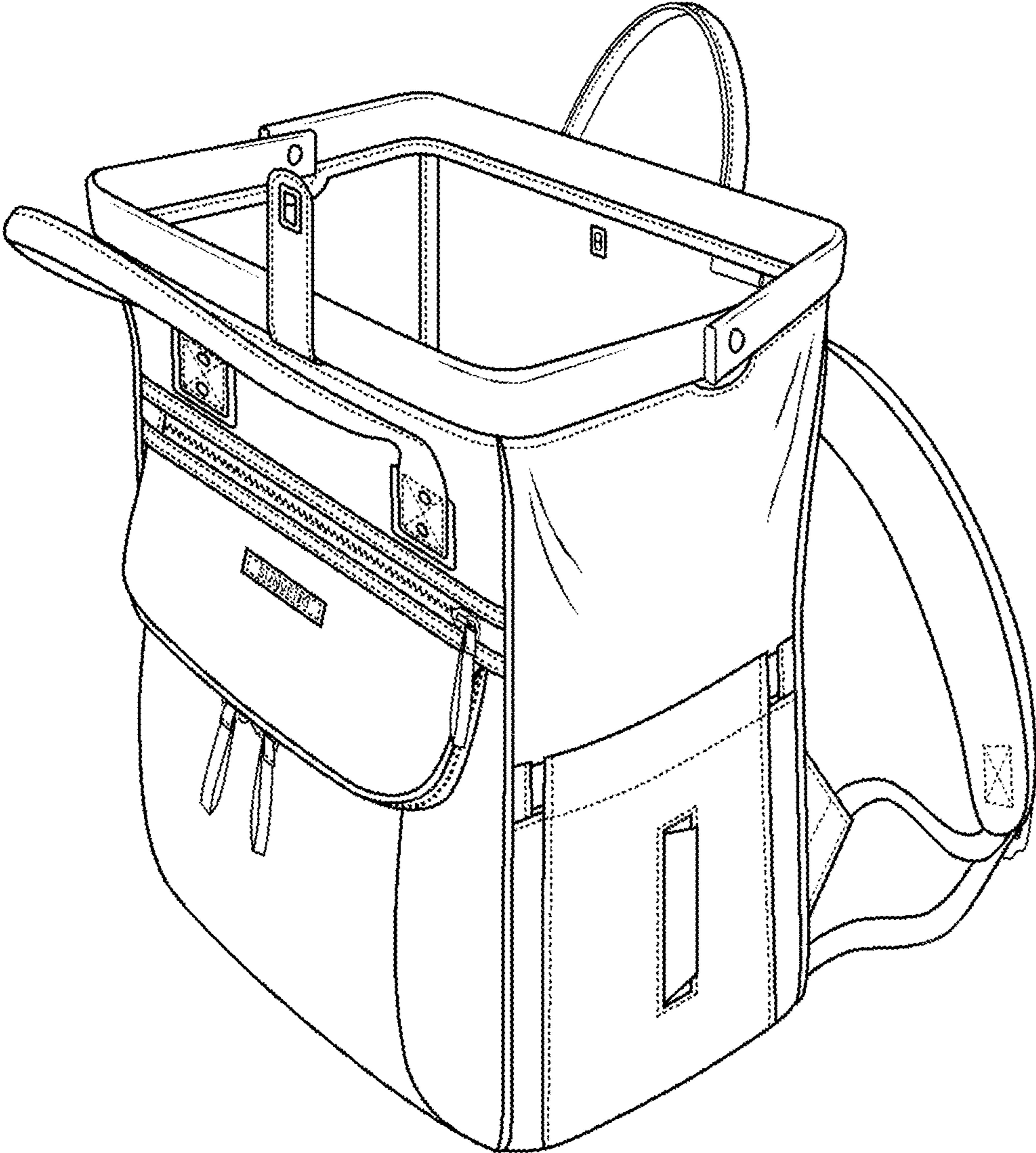


FIG.2

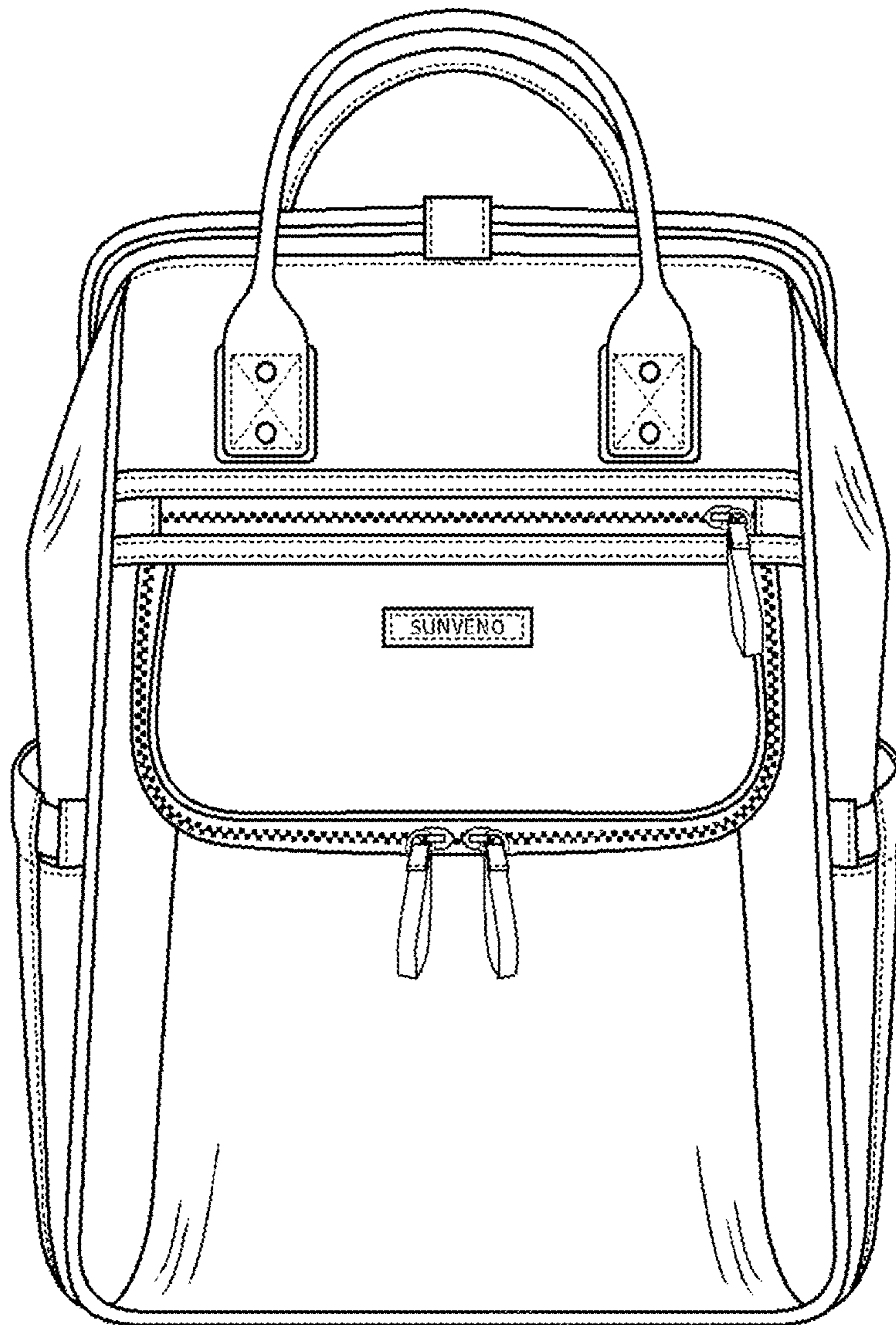


FIG.3

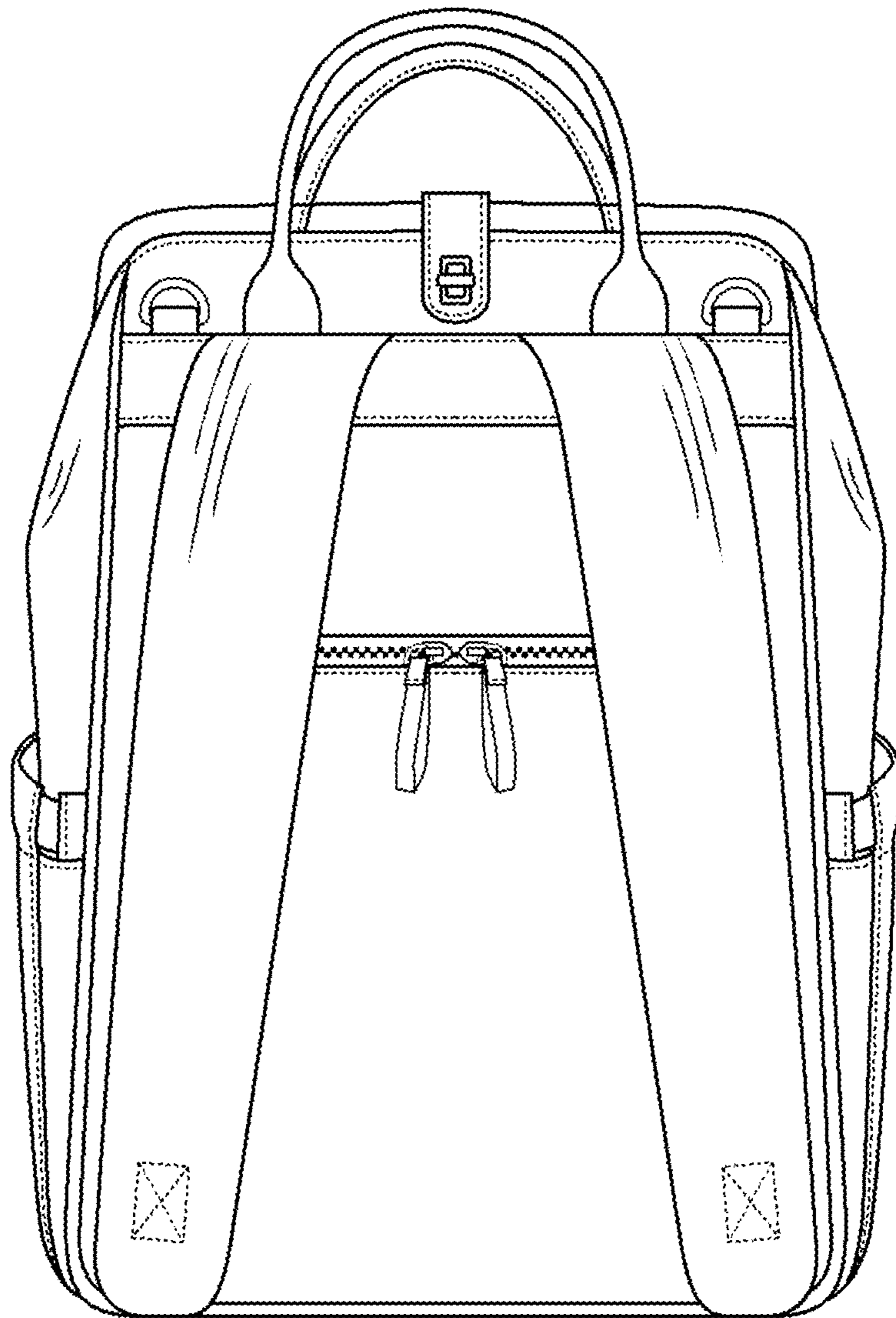


FIG.4

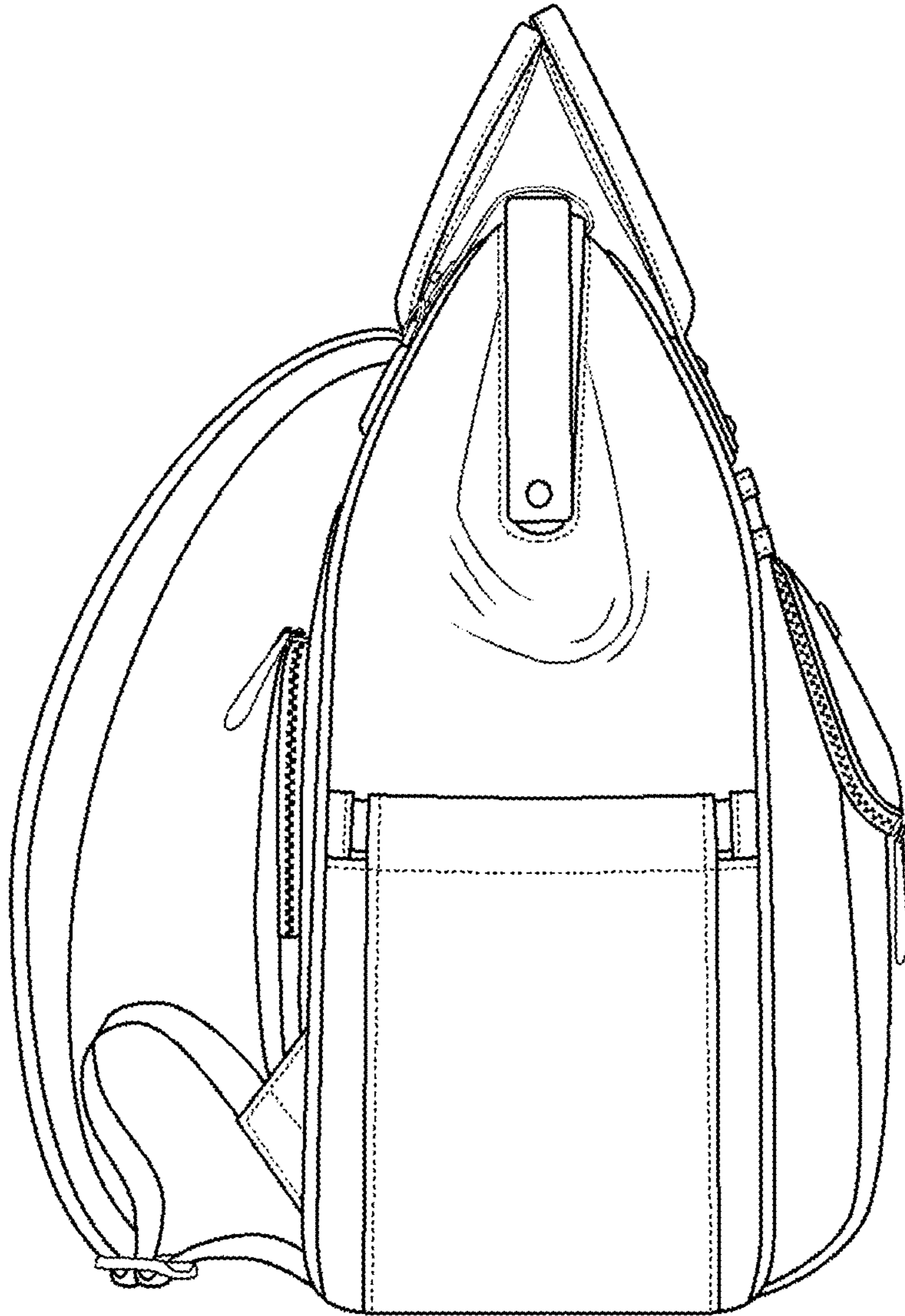


FIG.5

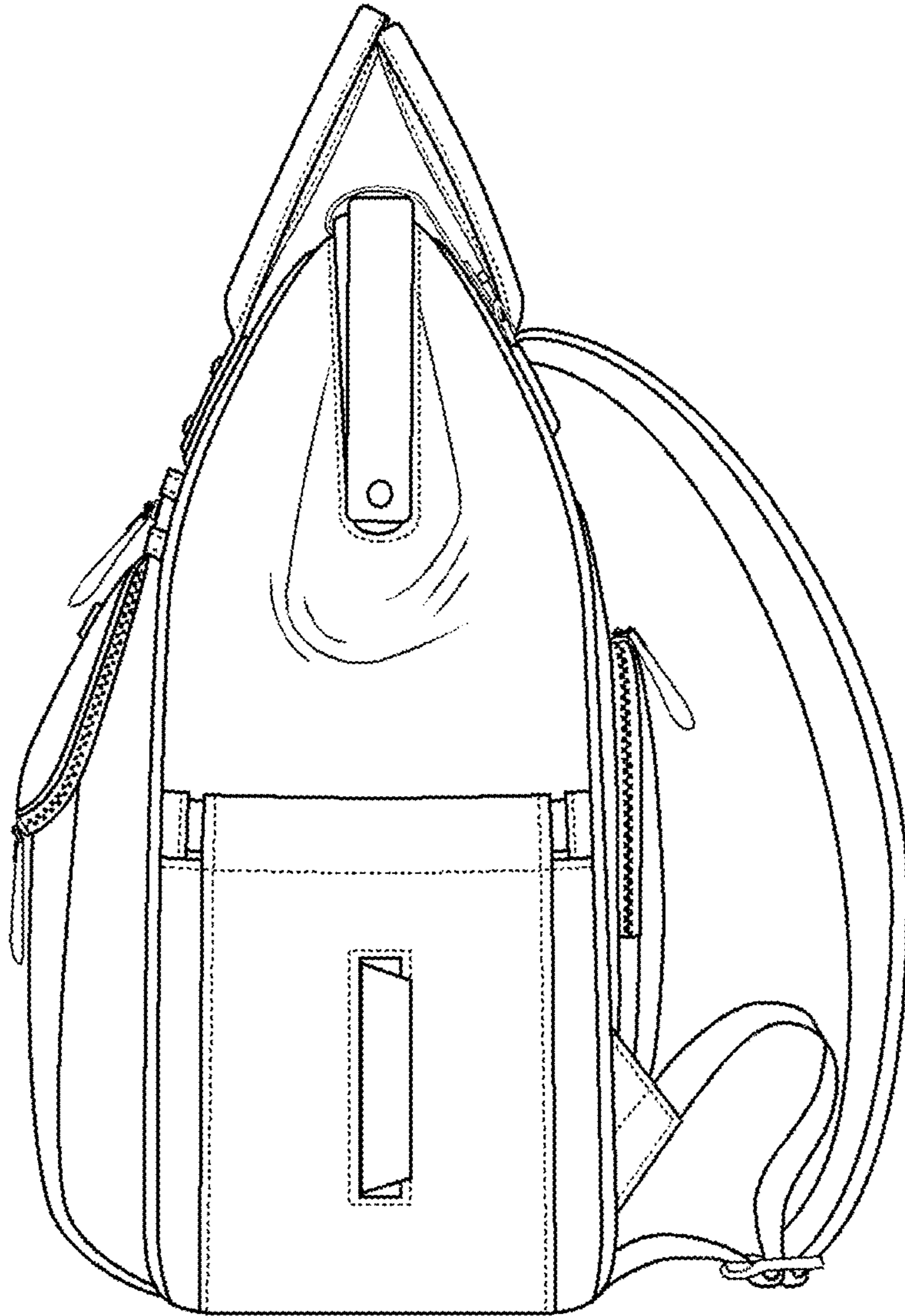


FIG.6

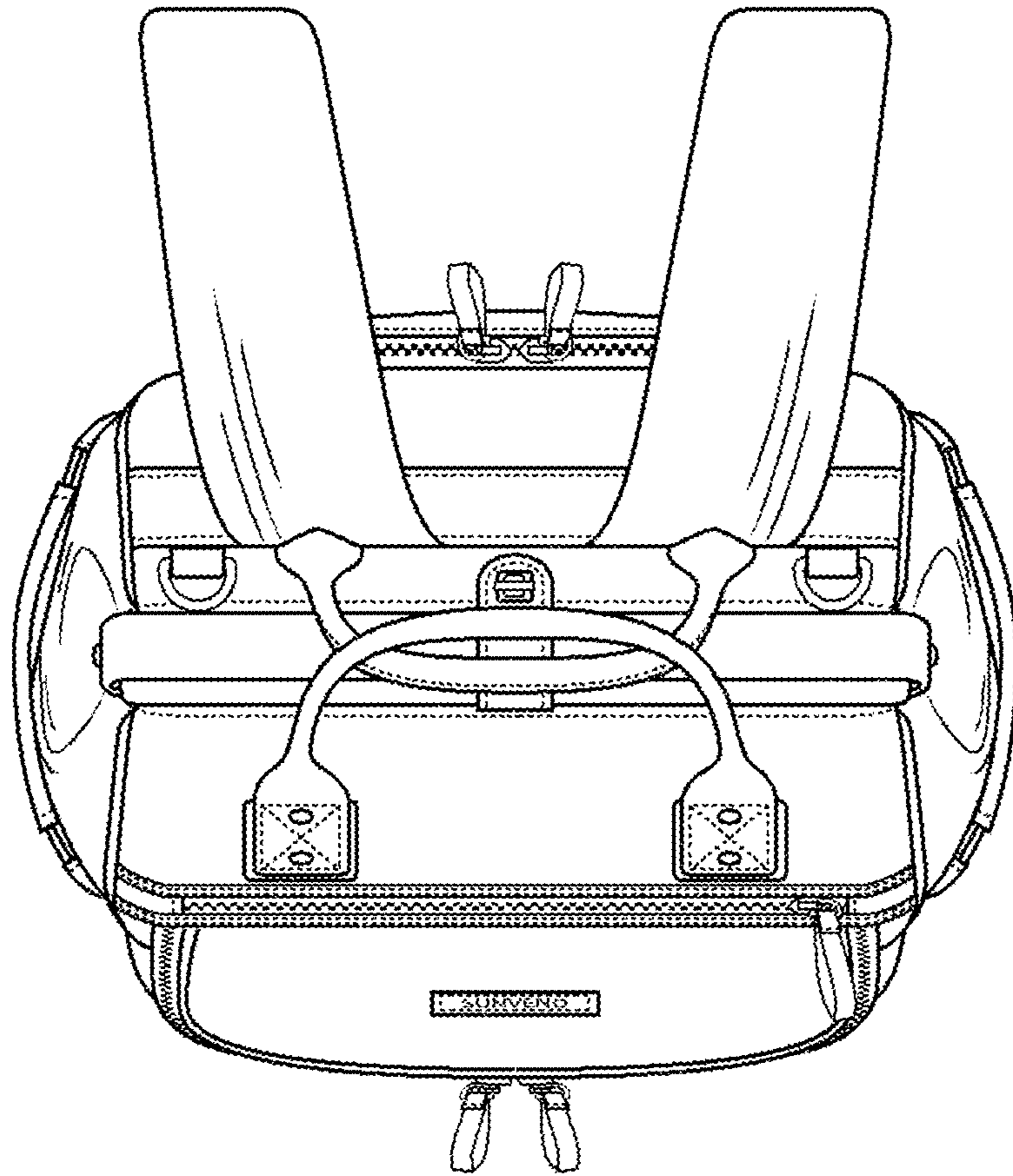


FIG. 7

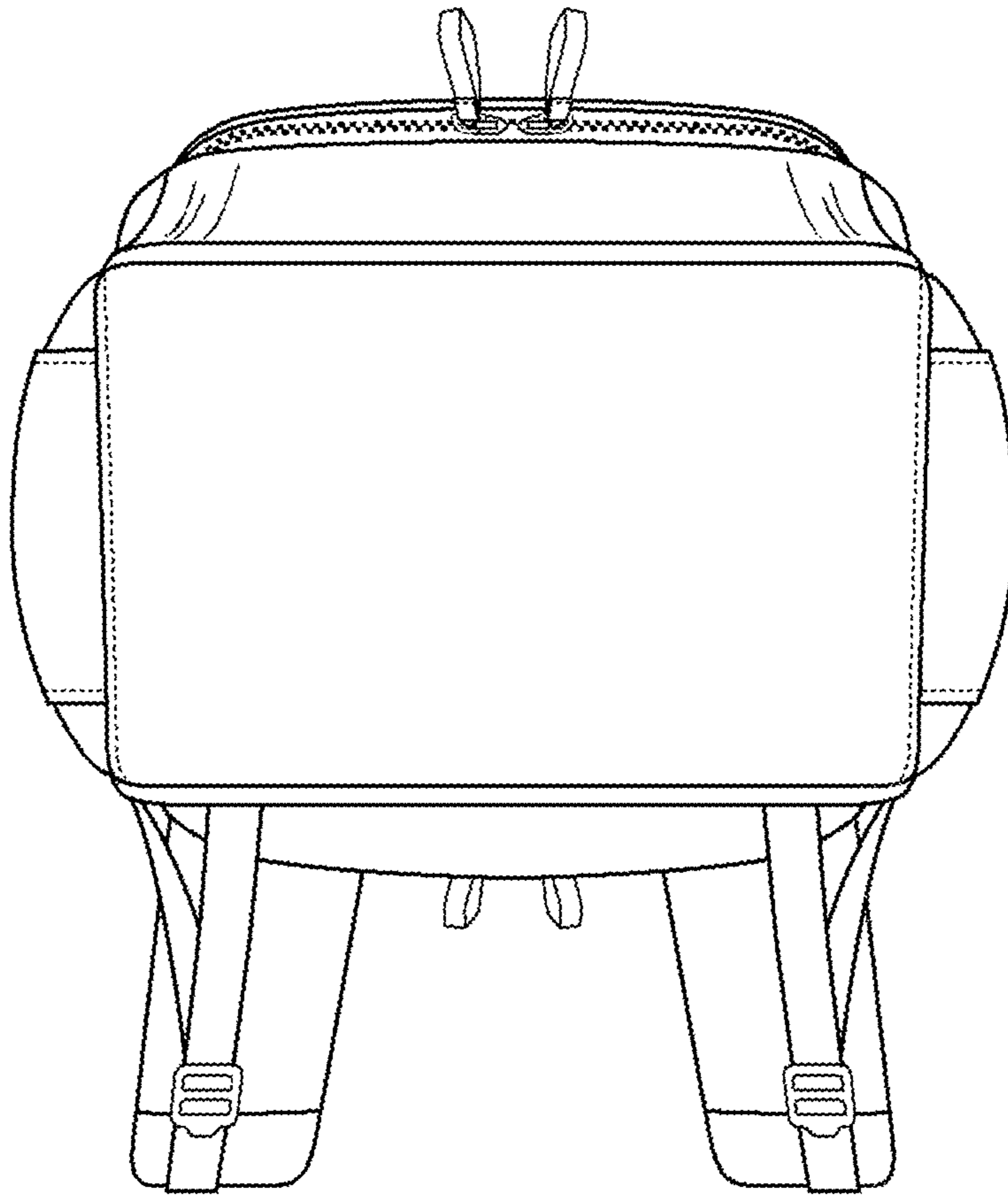


FIG.8