



US00D896503S

(12) **United States Design Patent**
Spinelli

(10) **Patent No.:** **US D896,503 S**

(45) **Date of Patent:** **** Sep. 22, 2020**

(54) **WAND HOLSTER**

(71) Applicant: **Eric Spinelli**, Rutland, MA (US)

(72) Inventor: **Eric Spinelli**, Rutland, MA (US)

(**) Term: **15 Years**

(21) Appl. No.: **29/700,535**

(22) Filed: **Aug. 2, 2019**

(51) **LOC (12) Cl.** **03-01**

(52) **U.S. Cl.**
USPC **D3/215**

(58) **Field of Classification Search**
USPC D3/215, 220, 222, 228, 230; 224/232,
224/240, 242-243, 245, 255, 901, 904,
224/907, 192-193, 660; D21/402
CPC A45F 5/00; A45F 5/021; A45F 2200/0575;
B29C 53/36; B29K 2105/256
See application file for complete search history.

(56) **References Cited**

U.S. PATENT DOCUMENTS

2,650,008	A	8/1953	Harry	
2,783,536	A	3/1957	Mcqueary	
4,326,652	A	4/1982	Fortenberry	
D300,989	S *	5/1989	Kovach	224/916
D333,040	S *	2/1993	Dancyger	D3/228
5,568,888	A	10/1996	Seber	
D420,216	S *	2/2000	Birkbeck, III	D3/215
6,085,952	A *	7/2000	Garland	A45F 5/021 224/242

D613,055	S *	4/2010	Lui	D3/215
D794,943	S *	8/2017	Schlang	D3/201
D823,596	S *	7/2018	Grisamore	D3/215
2014/0338197	A1	11/2014	Frazer et al.	
2014/0361061	A1 *	12/2014	Quinones	B29C 53/36 224/660

OTHER PUBLICATIONS

Broomhilde Magic Wand Holster, Etsy.com (Year: 2020).*
CraftSeven White Magic Wand Holster, for Witches and Wizards,
Shield Shape, Etsy.com (Year: 2019).*

* cited by examiner

Primary Examiner — Catherine R Oliver-Garcia
(74) *Attorney, Agent, or Firm* — Boudwin Intellectual
Property; Daniel Boudwin

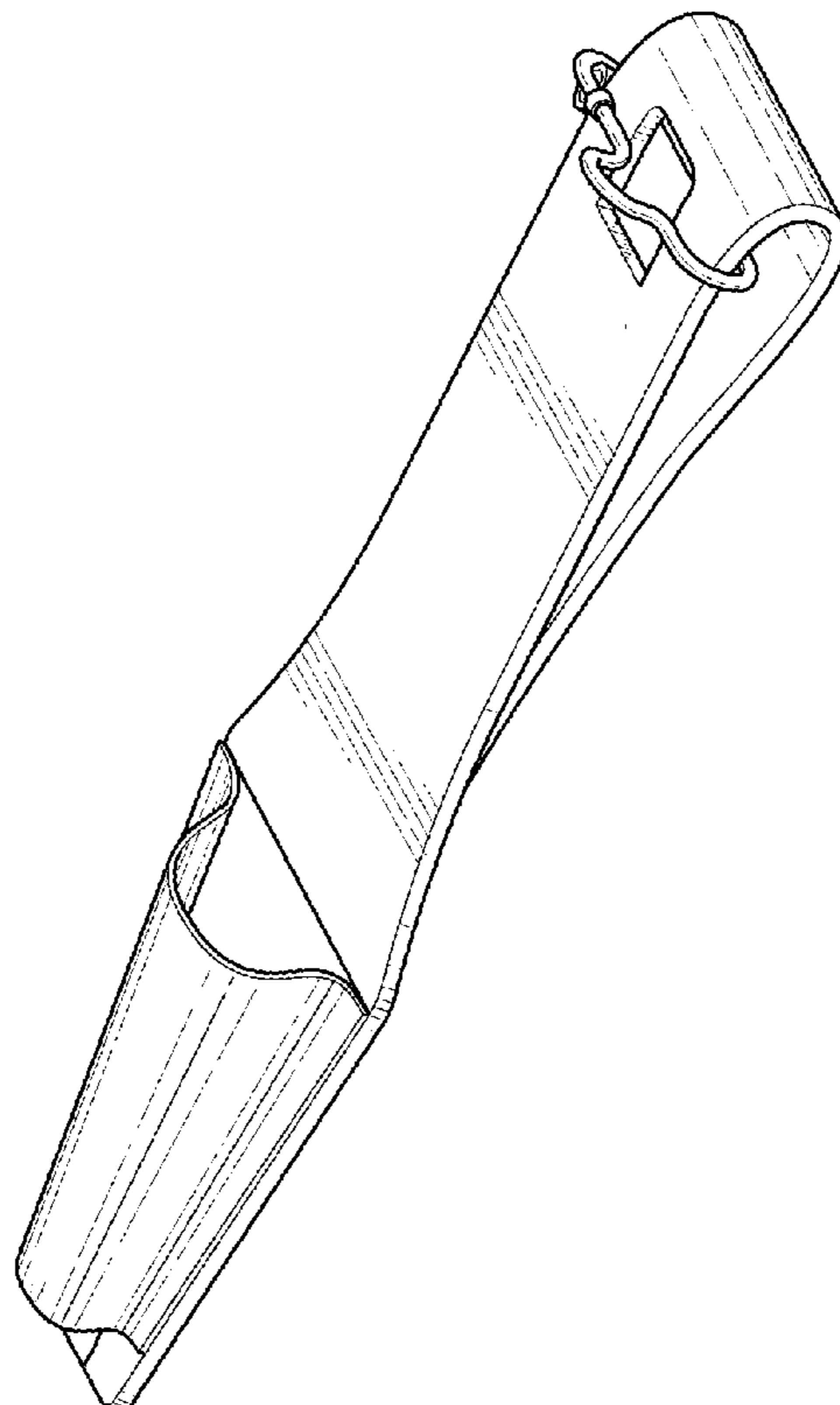
(57) **CLAIM**

The ornamental design for a wand holster, as shown and described.

DESCRIPTION

FIG. 1 shows a perspective view of a wand holster;
FIG. 2 shows a front view of the wand holster;
FIG. 3 shows a rear view of the wand holster;
FIG. 4 shows a right side view of the wand holster;
FIG. 5 shows a left side view of the wand holster;
FIG. 6 shows a top plan view of the wand holster; and,
FIG. 7 shows a bottom plan view of the wand holster.
The shade lines in the Figures show contour and not surface
ornamentation.

1 Claim, 4 Drawing Sheets



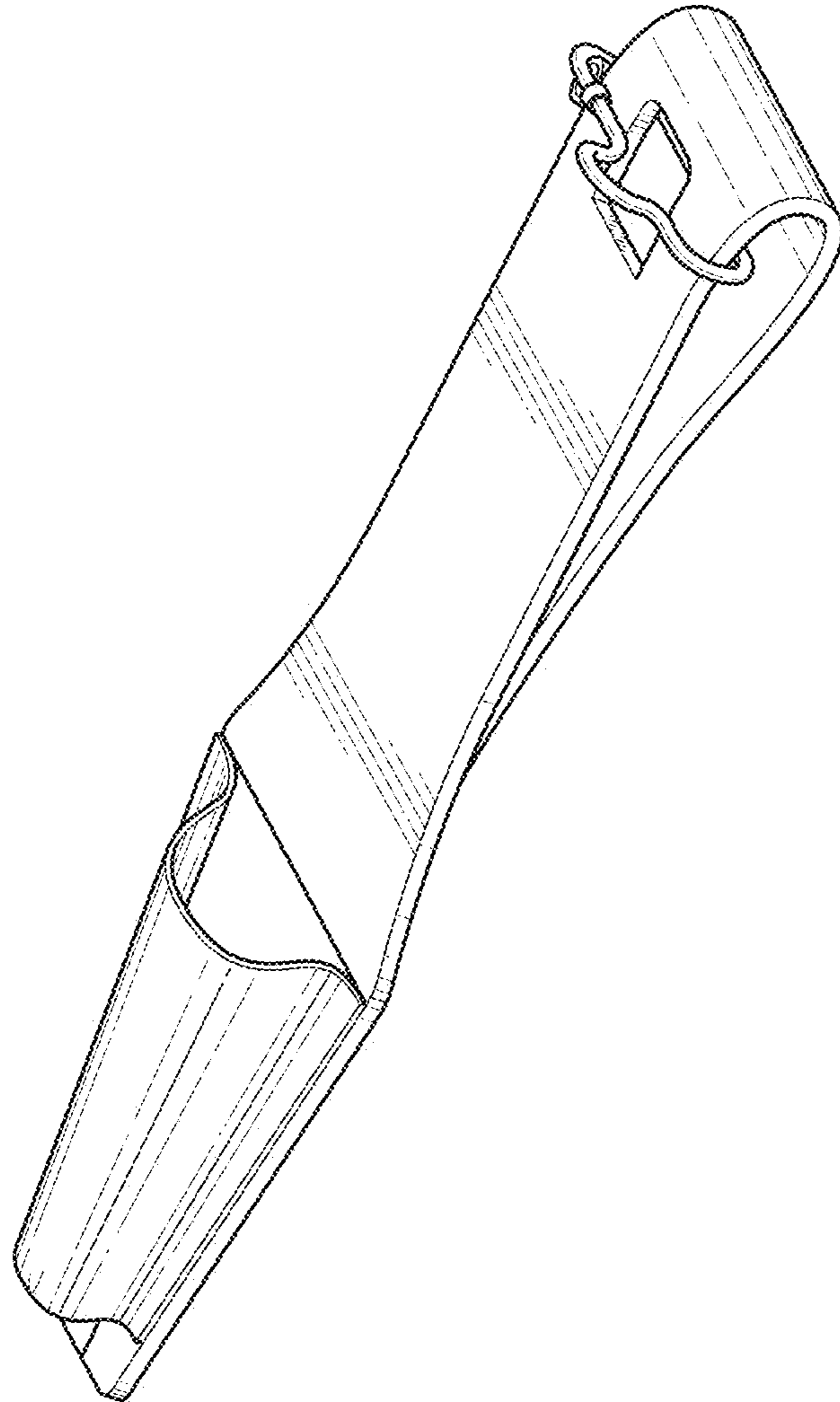


FIG. 1

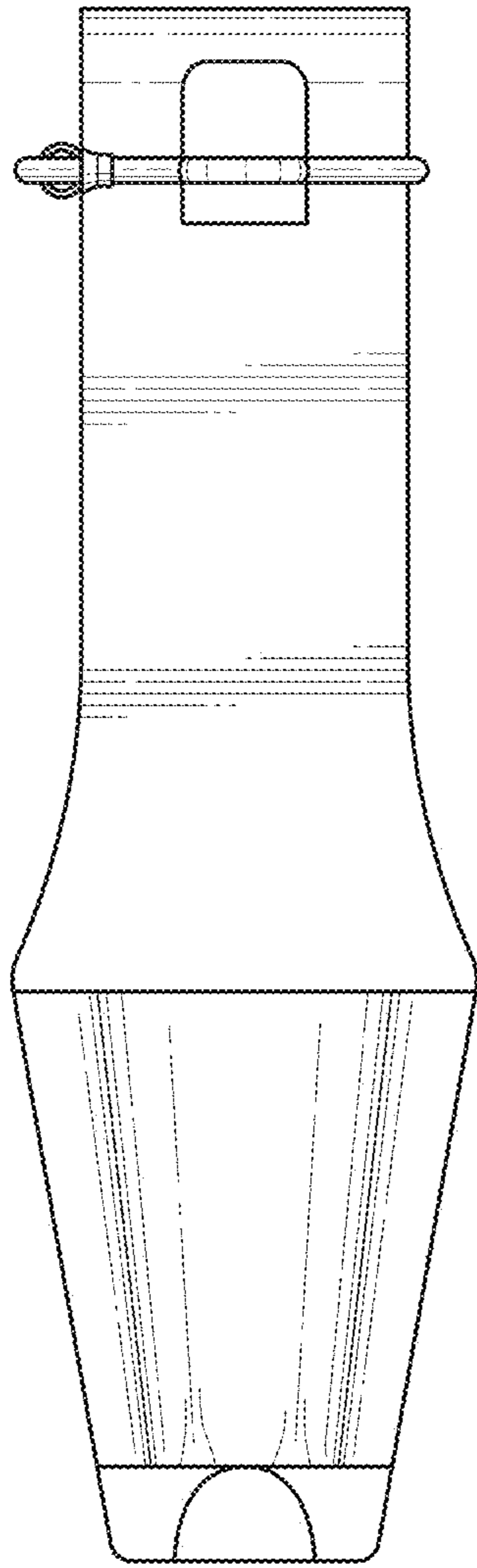


FIG. 2

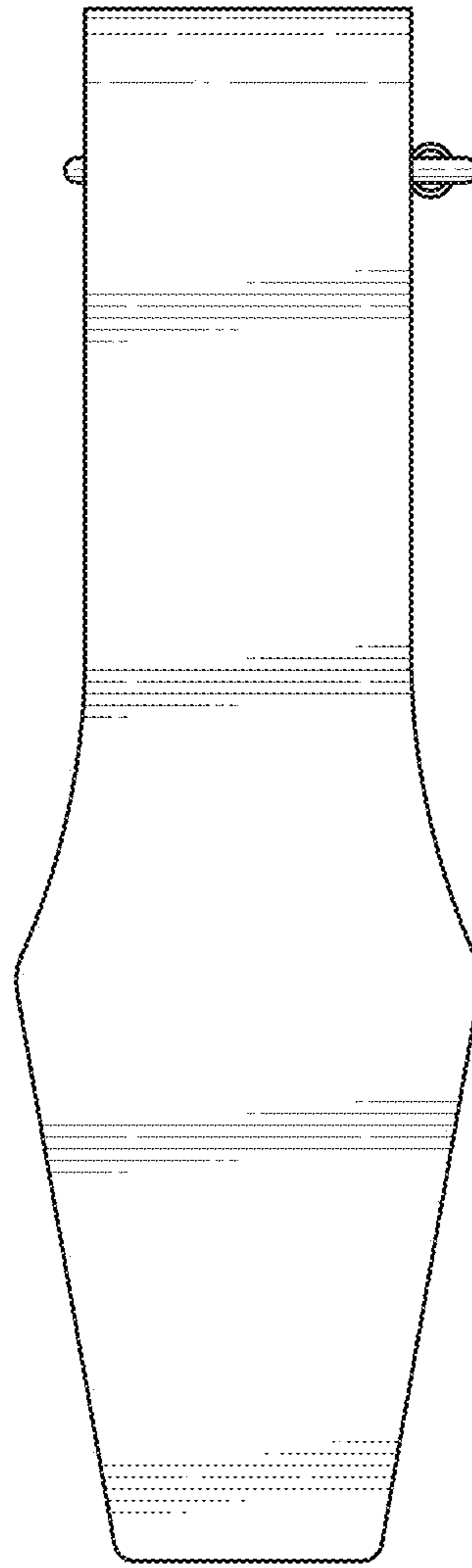


FIG. 3

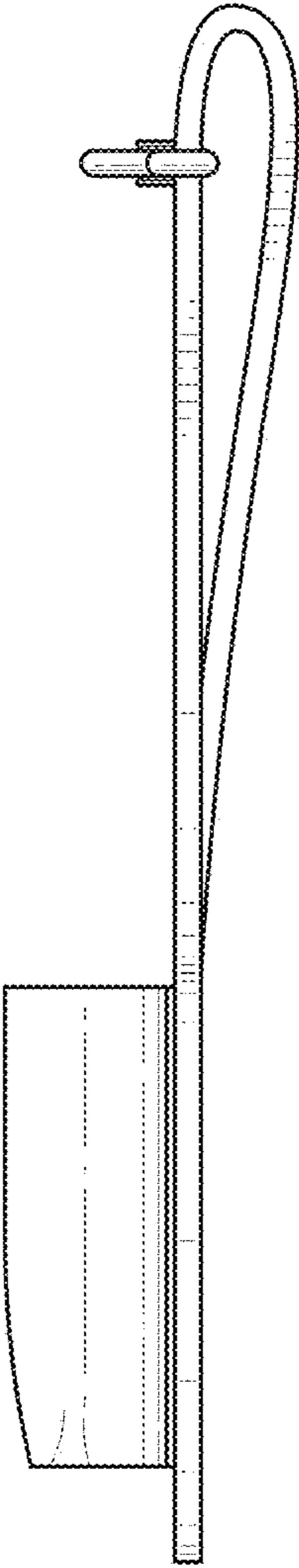


FIG. 4

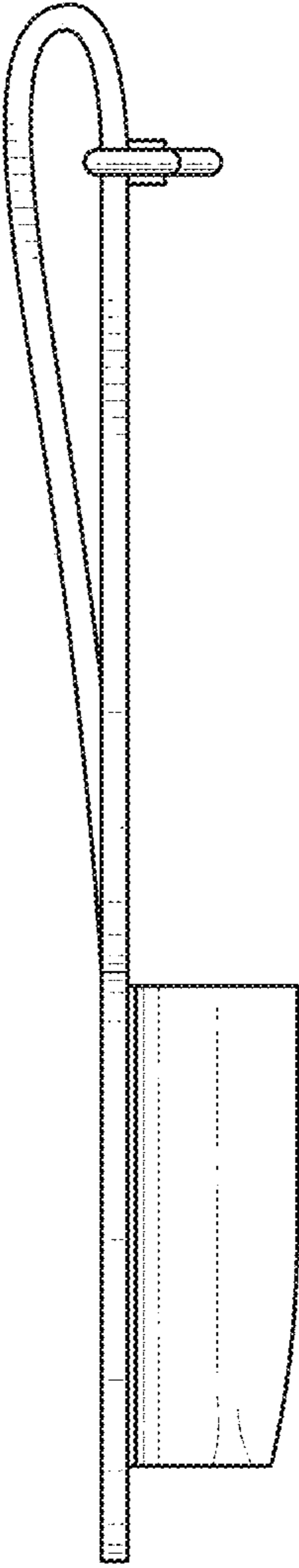


FIG. 5

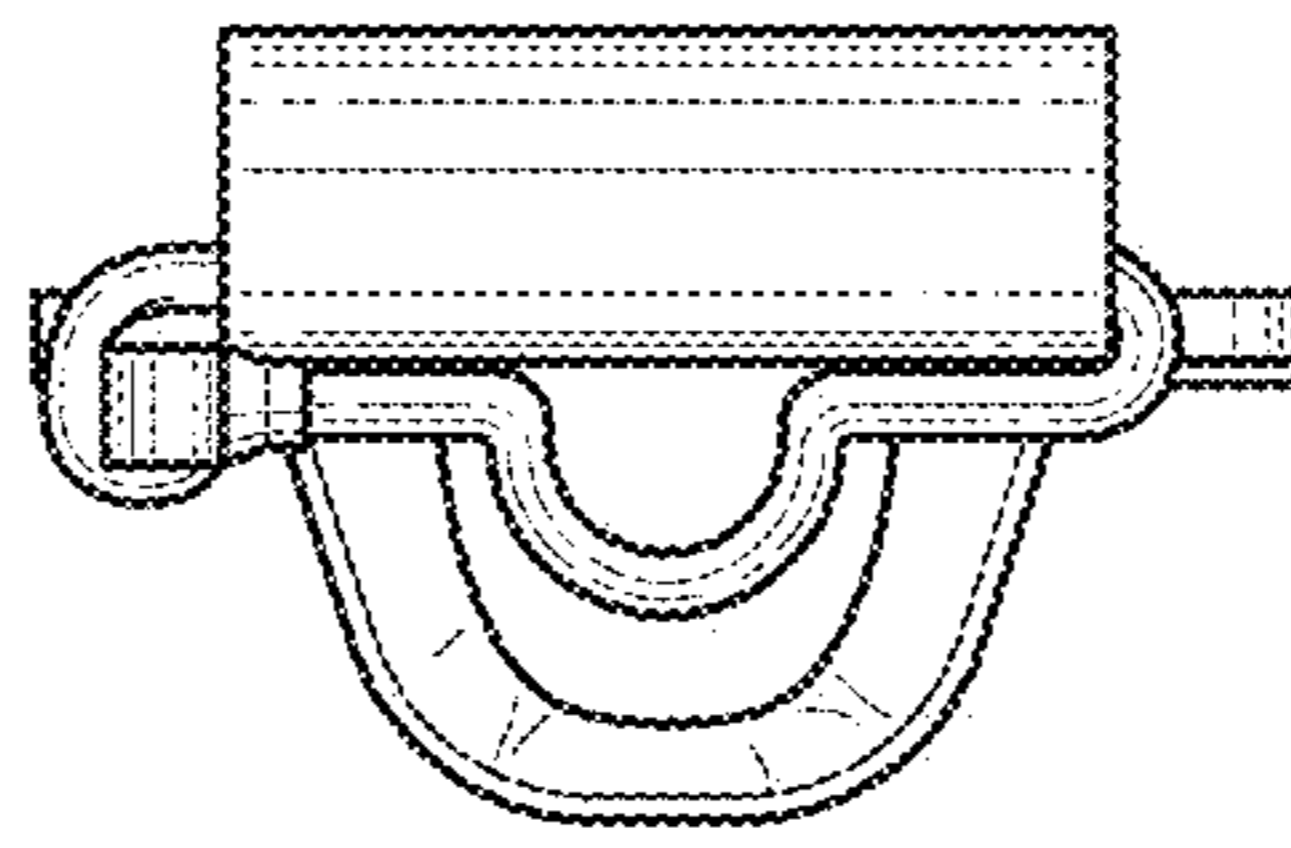


FIG. 6

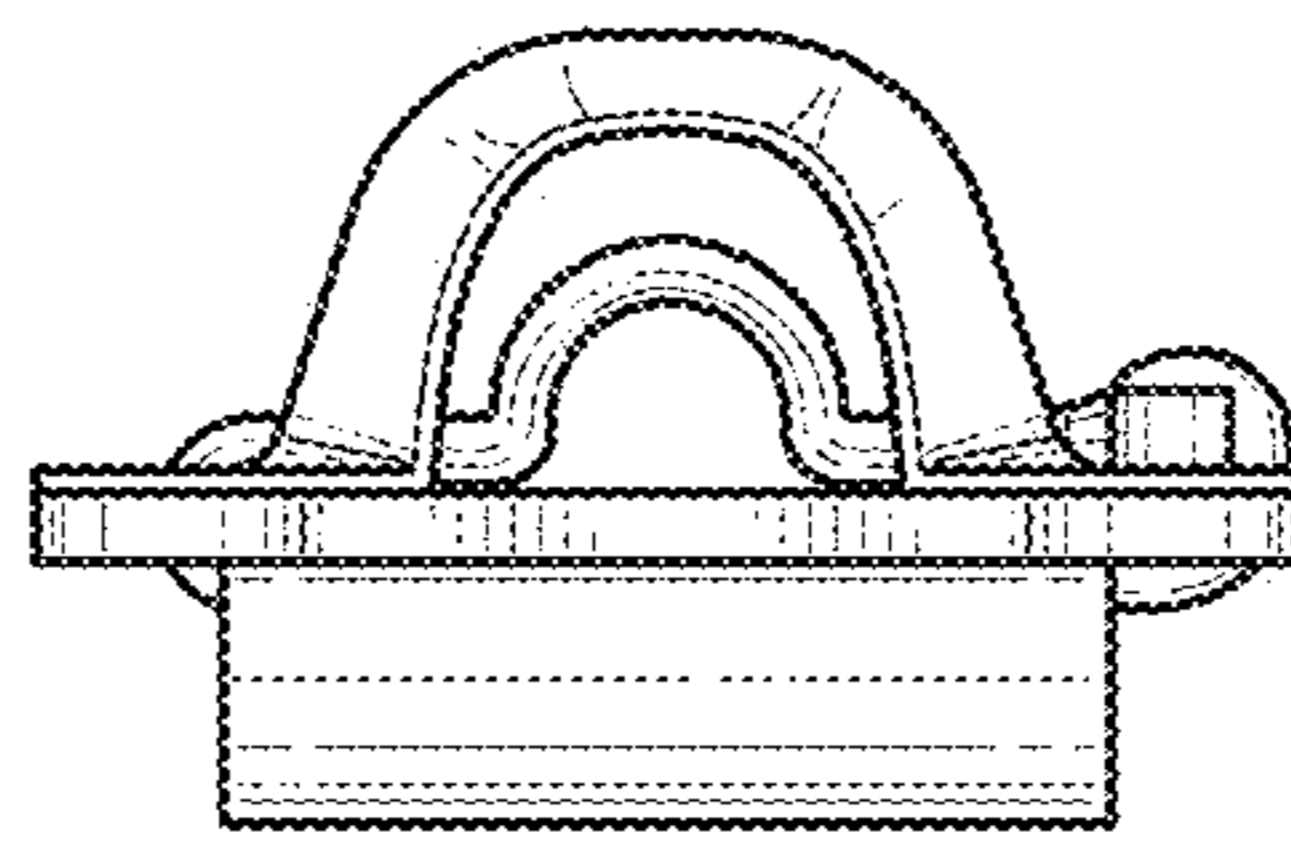


FIG. 7