



US00D896500S

(12) **United States Design Patent**  
**Natarajan et al.**

(10) **Patent No.:** **US D896,500 S**  
(45) **Date of Patent:** **\*\* Sep. 22, 2020**

- (54) **SMART HEALTH MANAGEMENT DEVICE**
- (71) Applicant: **CueMed Inc.**, Redmond, WA (US)
- (72) Inventors: **Sripriya Komarlingam Natarajan**,  
Redmond, WA (US); **Leonard George**,  
Redmond, WA (US)
- (73) Assignee: **CUEMED INC.**, Redmond, WA (US)
- (\*\*) Term: **15 Years**
- (21) Appl. No.: **29/645,430**
- (22) Filed: **Apr. 26, 2018**
- (51) **LOC (12) Cl.** ..... **03-01**
- (52) **U.S. Cl.**  
USPC ..... **D3/203.1**
- (58) **Field of Classification Search**  
USPC ..... D3/201, 203.1, 203.2, 203.3, 273, 274,  
D3/280, 294, 295; D9/414, 426, 428,  
D9/730, 733, 756, 759, 563, 421;  
D14/204, 215, 216  
CPC ..... A61J 1/00; A61J 1/03; A61J 1/16; A61J  
1/14; A61J 1/1412; B65D 1/09; B65D  
2585/56; B65D 83/04; B65D 83/0445;  
B65D 83/0409; B65D 2583/04; B65D  
2583/0404; H04R 1/02; H04R 5/02;  
H04R 9/06  
See application file for complete search history.

- 5,620,109 A \* 4/1997 Madden ..... B65D 11/12  
206/536
- 5,899,335 A \* 5/1999 Boyer ..... A61J 7/04  
116/308
- 6,000,546 A \* 12/1999 Noble ..... A61J 1/03  
206/1.5
- D466,814 S \* 12/2002 Hurlburt ..... D9/504
- D499,552 S \* 12/2004 Nissanoff ..... D3/273
- D518,369 S \* 4/2006 Haber ..... D9/424
- D519,027 S \* 4/2006 Haber ..... D9/424
- D559,110 S \* 1/2008 Marx ..... D9/529
- D561,989 S \* 2/2008 Jones ..... D3/201
- D586,112 S \* 2/2009 Kenny ..... D3/203.1
- D587,005 S \* 2/2009 Gardner ..... D3/203.3
- 7,624,890 B2 \* 12/2009 Noble ..... A61J 7/04  
206/538
- D607,878 S \* 1/2010 Murray ..... D14/216
- D618,063 S \* 6/2010 Davies ..... D7/596
- 7,798,330 B2 \* 9/2010 Noble ..... B65D 83/04  
206/1.5

(Continued)

*Primary Examiner* — Steven J Czyz  
(74) *Attorney, Agent, or Firm* — Wilson Sonsini Goodrich  
& Rosati

(57) **CLAIM**

The ornamental design for a smart health management device, as shown and described.

**DESCRIPTION**

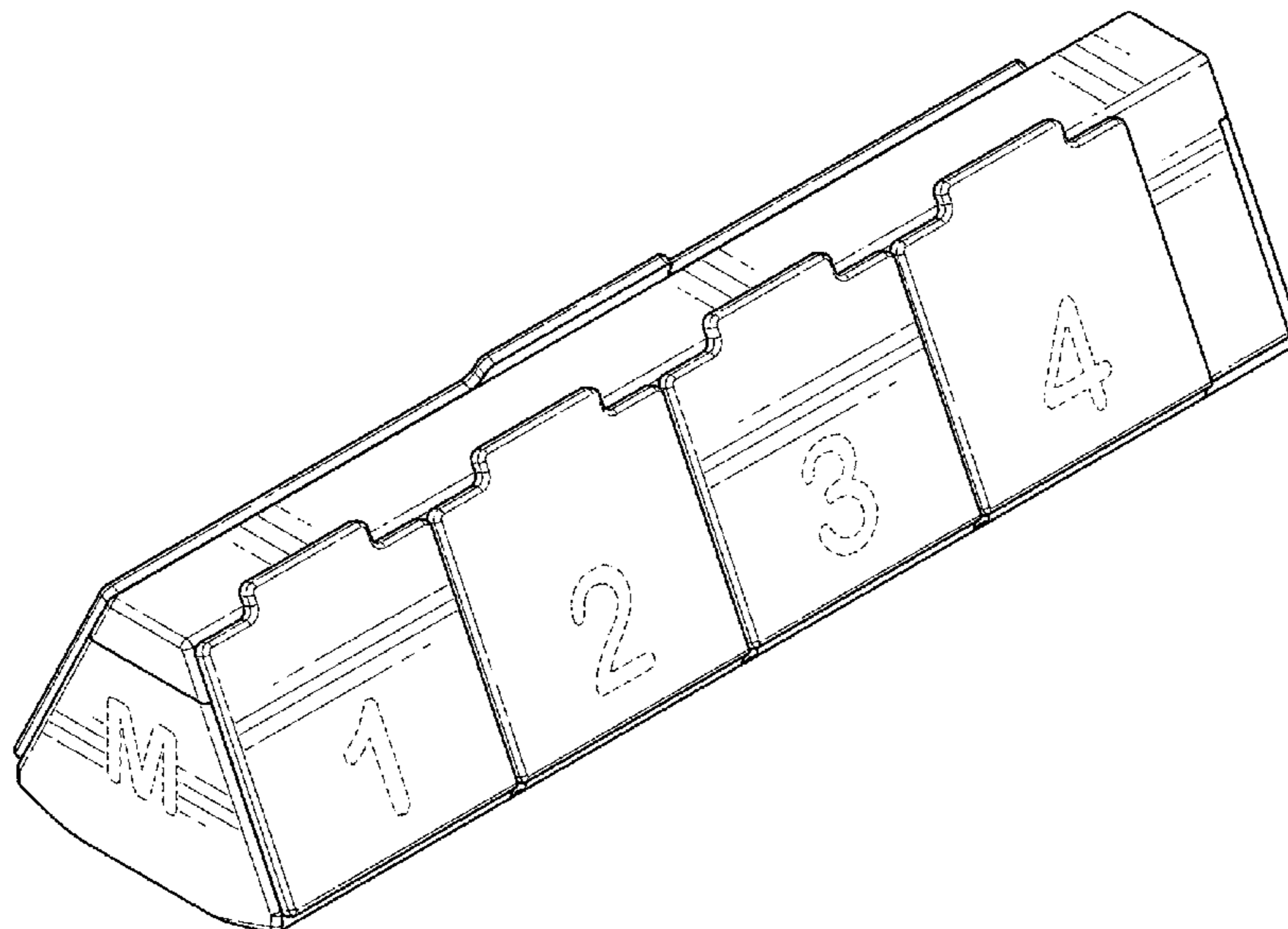
FIG. 1 is an isometric view of a smart health management device;  
FIG. 2 is a front view thereof;  
FIG. 3 is a rear view thereof;  
FIG. 4 is a left side view thereof;  
FIG. 5 is a right side view thereof;  
FIG. 6 is a top view thereof; and,  
FIG. 7 is a bottom view thereof.  
The broken lines depict portions of the article that form no part of the claimed design.

**1 Claim, 7 Drawing Sheets**

(56) **References Cited**

**U.S. PATENT DOCUMENTS**

- D140,925 S \* 4/1945 Christner et al. .... D3/203.1
- D274,040 S \* 5/1984 Ridgley ..... D3/203.3
- D279,621 S \* 7/1985 Richer ..... D19/75
- D298,803 S \* 12/1988 Ebling ..... D3/203.3
- D321,788 S \* 11/1991 Chen ..... 220/524
- 5,213,213 A \* 5/1993 Bunin ..... A61J 1/03  
206/535
- D354,909 S \* 1/1995 Blanche ..... D7/596



(56)

References Cited

U.S. PATENT DOCUMENTS

8,381,911 B2 \* 2/2013 Buchner ..... B65D 83/04  
 206/530  
 8,381,932 B2 \* 2/2013 Wagner ..... B65D 21/0209  
 206/430  
 D684,355 S \* 6/2013 Priebe ..... D3/203.3  
 D692,413 S \* 10/2013 Holzer ..... D14/215  
 D693,688 S \* 11/2013 Russell ..... D9/454  
 D696,010 S \* 12/2013 Priebe ..... D3/203.3  
 D698,141 S \* 1/2014 Priebe ..... D3/203.3  
 D698,540 S \* 2/2014 Priebe ..... D3/203.3  
 8,749,359 B1 \* 6/2014 Wilson ..... G06F 19/3462  
 340/309.16  
 D708,434 S \* 7/2014 Deeb ..... D3/203.3  
 D709,282 S \* 7/2014 Priebe ..... D3/203.3  
 8,844,724 B2 \* 9/2014 Andrews ..... A61J 1/03  
 206/534  
 D729,067 S \* 5/2015 Behar ..... D9/454  
 D729,577 S \* 5/2015 Dirks ..... D7/507  
 D733,967 S \* 7/2015 Schlatter ..... D28/85  
 9,161,885 B1 \* 10/2015 Zhou ..... A61J 7/0418  
 D747,869 S \* 1/2016 Priebe ..... D3/203.3  
 9,289,354 B2 \* 3/2016 Ryan ..... A61J 1/03

9,311,452 B2 \* 4/2016 Dickie ..... A61J 1/03  
 D760,087 S \* 6/2016 Dittmer ..... D9/516  
 9,370,464 B2 \* 6/2016 Andrews ..... A61J 7/0084  
 D775,462 S \* 1/2017 Noble ..... D3/203.3  
 D776,524 S \* 1/2017 Albano ..... D9/428  
 D778,173 S \* 2/2017 Pisarevsky ..... D3/203.3  
 D786,679 S \* 5/2017 Barroso Miana ..... D9/504  
 9,740,828 B2 \* 8/2017 Chu ..... A61J 1/03  
 9,776,765 B2 \* 10/2017 Stephens ..... B65D 23/12  
 D812,427 S \* 3/2018 Barber ..... D7/510  
 D817,633 S \* 5/2018 Dutton ..... D3/203.3  
 D821,738 S \* 7/2018 Small ..... D3/203.2  
 D826,055 S \* 8/2018 Augustyniak ..... D9/504  
 D833,414 S \* 11/2018 Brennan ..... D14/204  
 D833,733 S \* 11/2018 Chen ..... D3/203.3  
 D835,600 S \* 12/2018 Weiss ..... D14/204  
 10,179,676 B1 \* 1/2019 Taylor ..... B65D 43/18  
 D848,394 S \* 5/2019 Derain ..... D14/204  
 D849,543 S \* 5/2019 Augustyniak ..... D9/504  
 D850,781 S \* 6/2019 Danopoulos ..... D3/203.1  
 D850,782 S \* 6/2019 Lee ..... D3/203.3  
 10,391,028 B2 \* 8/2019 Deluca ..... A61B 5/1174  
 D861,324 S \* 10/2019 Egge ..... D3/203.2  
 2015/0366753 A1 \* 12/2015 Ryan ..... A61J 1/03  
 206/570

\* cited by examiner

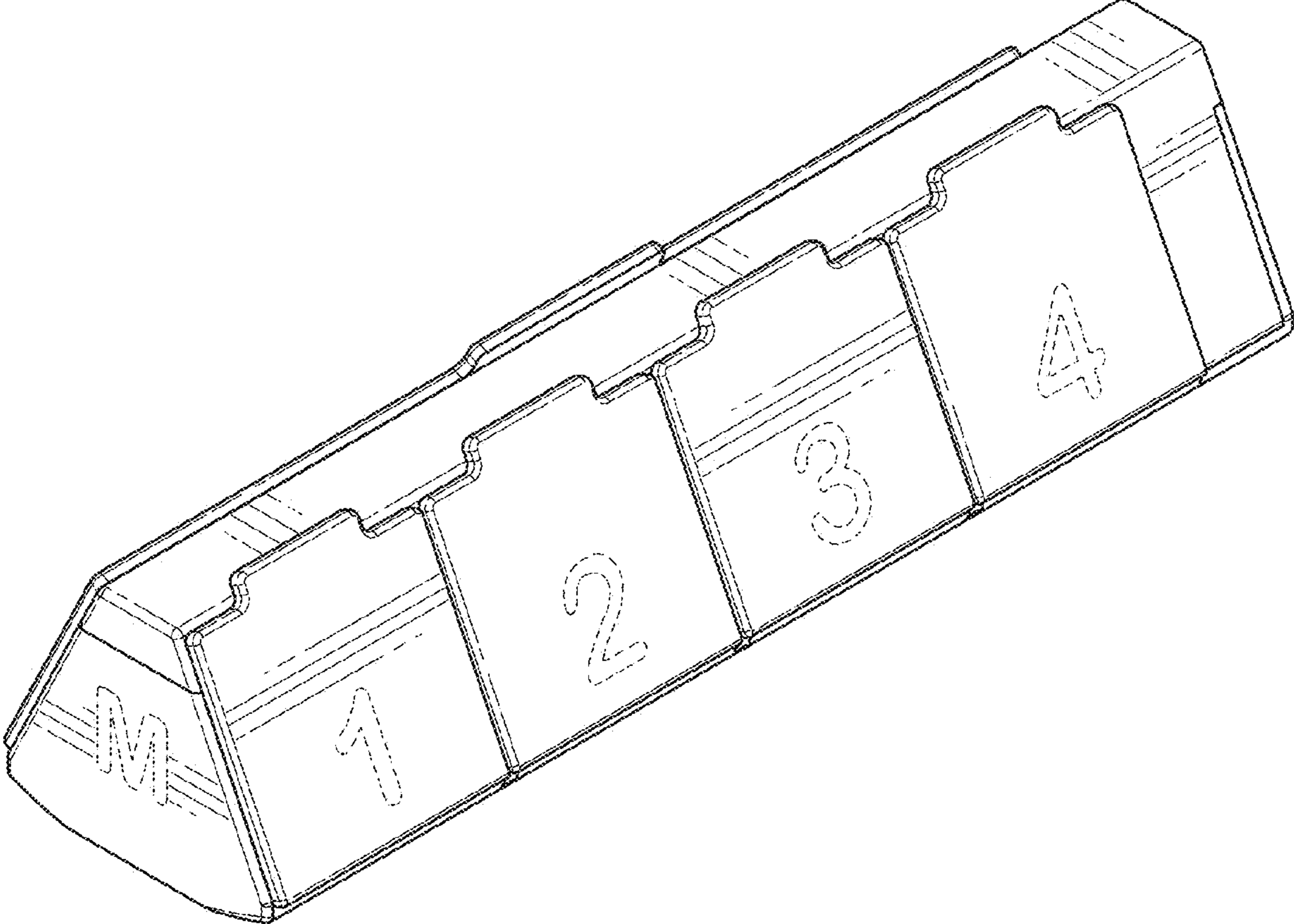


FIG. 1

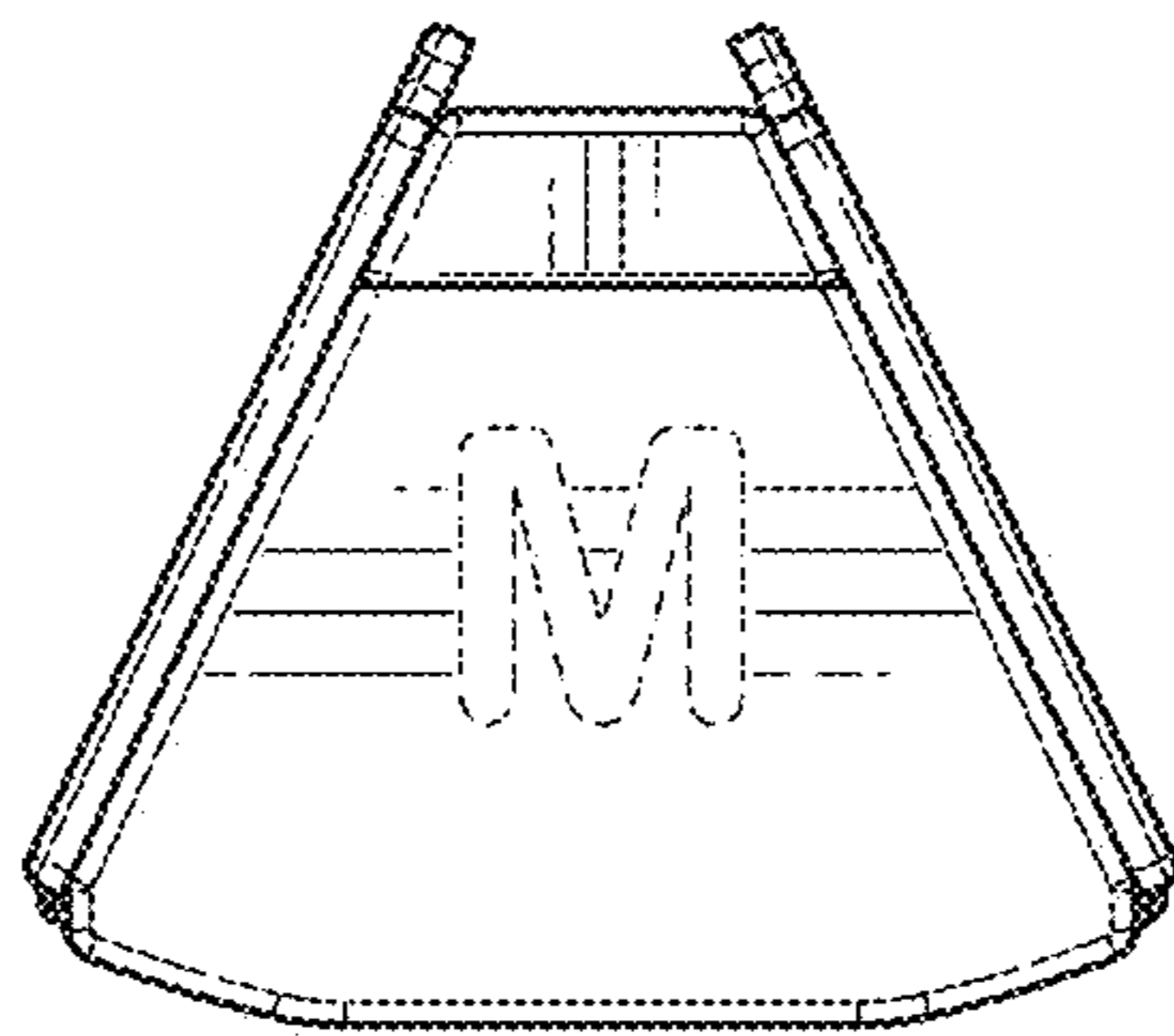


FIG. 2

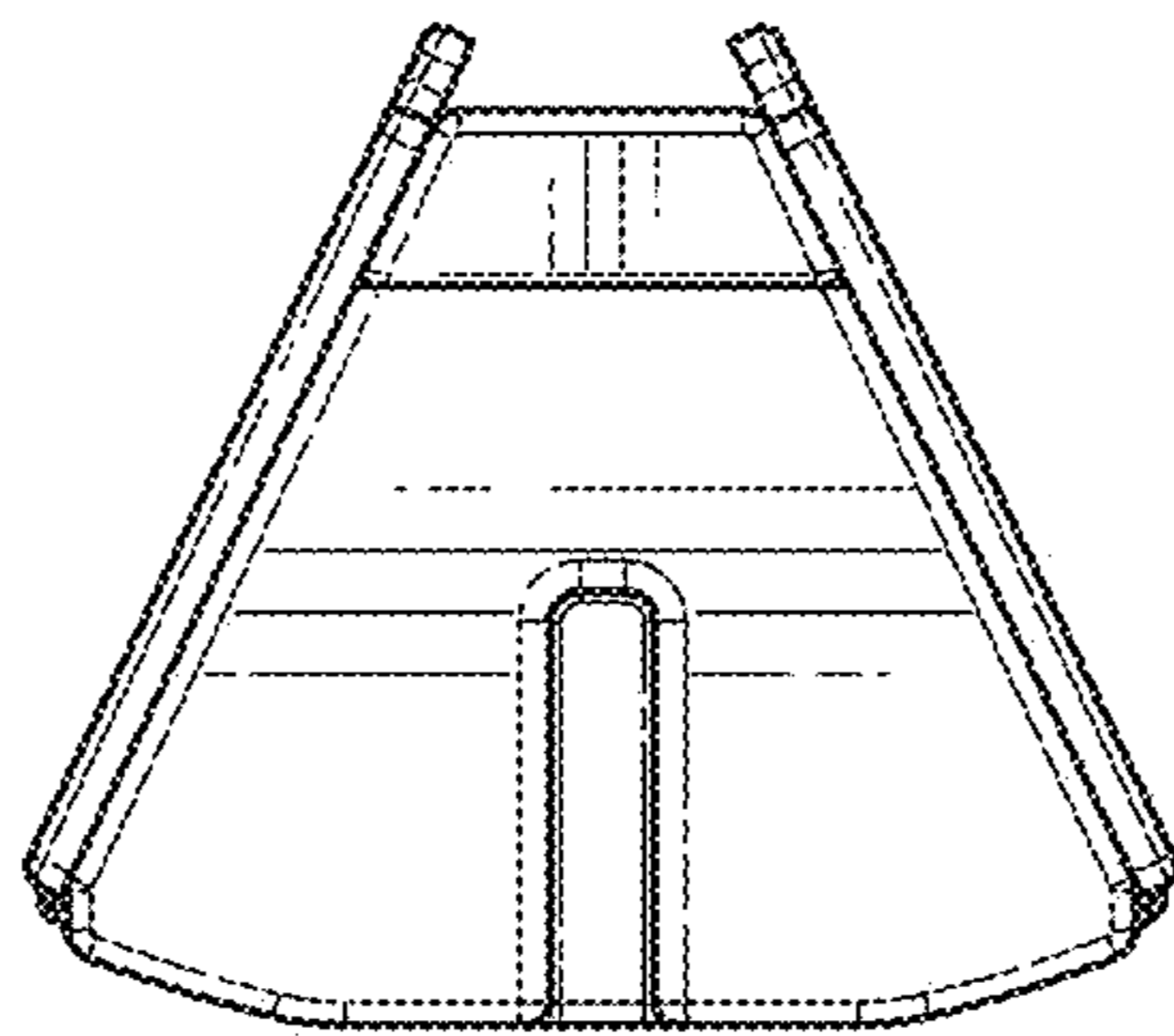


FIG. 3

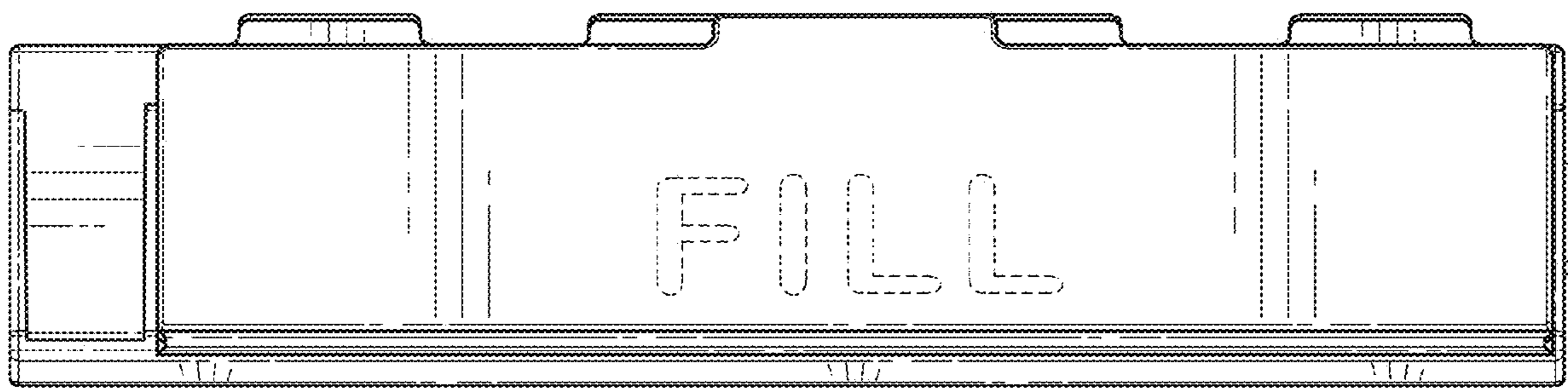


FIG. 4

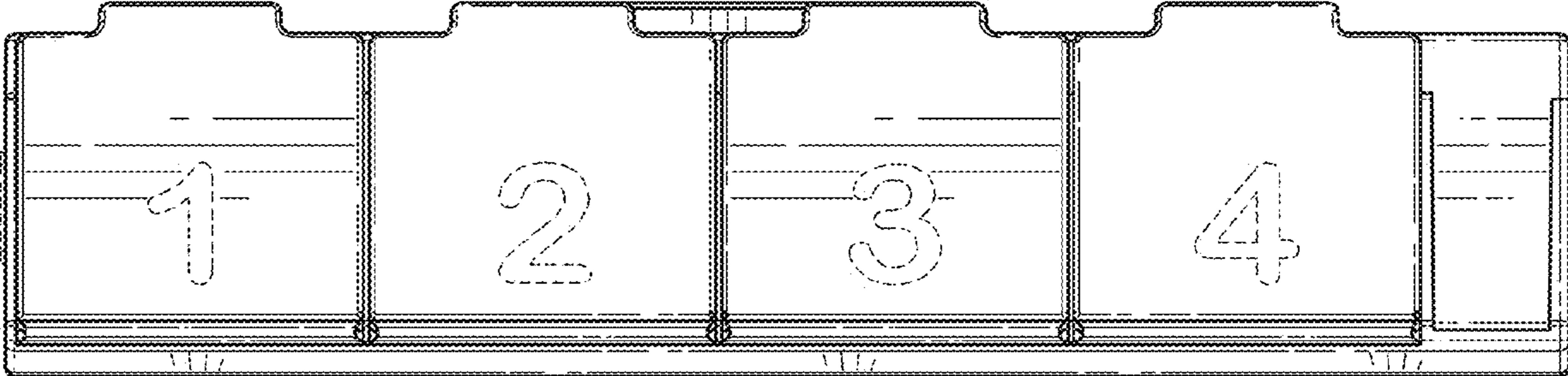


FIG. 5

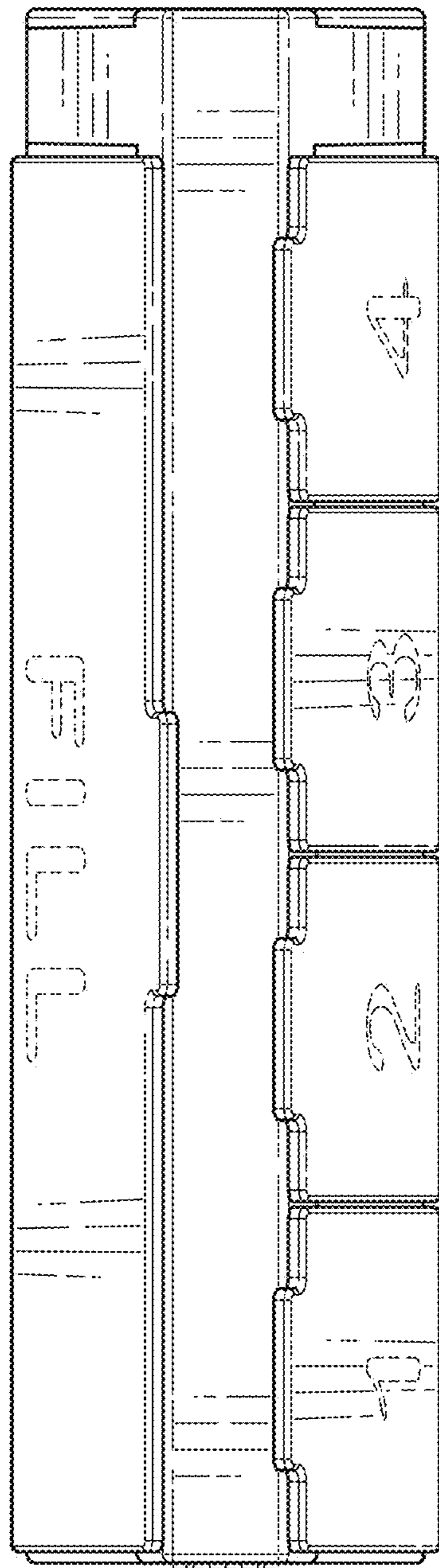


FIG. 6



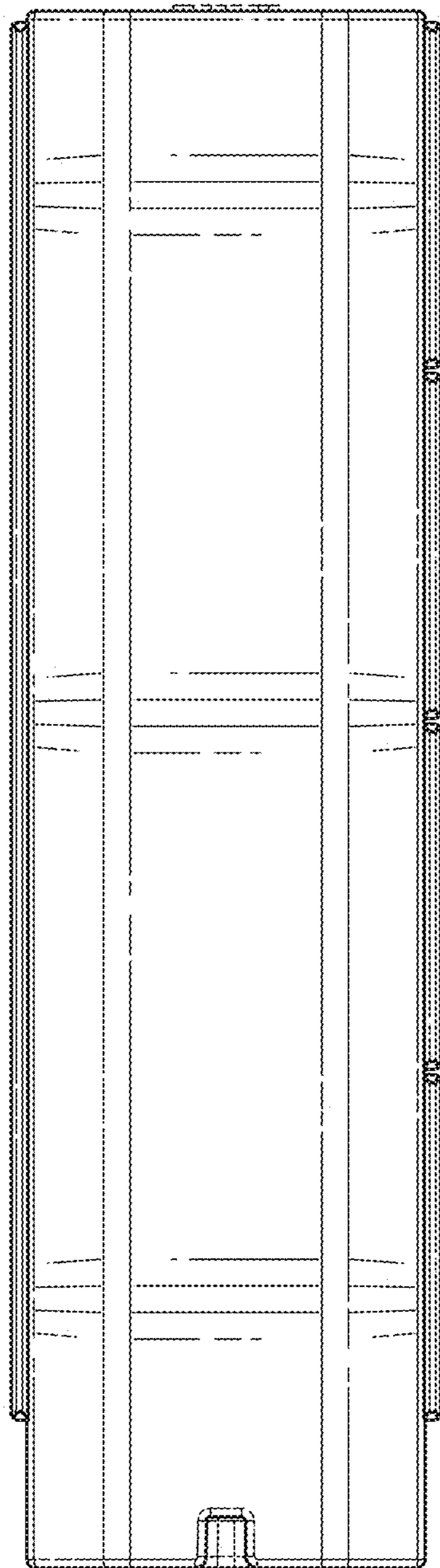


FIG. 7