



US00D896497S

(12) **United States Design Patent** (10) **Patent No.:** **US D896,497 S**
Kenison (45) **Date of Patent:** **** Sep. 22, 2020**

(54) **SHOE STRAP**

(71) Applicant: **Emily Karal Kenison**, Scarsdale, NY (US)

(72) Inventor: **Emily Karal Kenison**, Scarsdale, NY (US)

(**) Term: **15 Years**

(21) Appl. No.: **29/667,980**

(22) Filed: **Oct. 26, 2018**

(51) **LOC (12) Cl.** **02-07**

(52) **U.S. Cl.**
USPC **D2/976**

(58) **Field of Classification Search**
USPC D2/916, 925, 926, 929, 930, 939, 946,
D2/971, 976, 978
CPC A43B 3/122; A43B 3/126; A43B 23/24;
A43C 11/24; A43C 19/00
See application file for complete search history.

(56) **References Cited**

U.S. PATENT DOCUMENTS

D53,233 S *	4/1919	Benedetti	D2/946
1,385,328 A	7/1921	Louden		
1,655,715 A	1/1928	Sneeston		
D75,276 S *	5/1928	Miller	D2/929
D91,534 S *	2/1934	Morali	D2/930
D145,816 S *	10/1946	Payne	D2/916
D279,326 S *	6/1985	Foldes	D2/916
4,854,056 A	8/1989	Levin		
D453,987 S *	3/2002	Ray	D2/946
D498,039 S *	11/2004	Choi	D2/929
D518,947 S *	4/2006	Choi	D2/976
D525,415 S *	7/2006	Kelsey	D2/925
D552,841 S *	10/2007	Choi	D2/971
7,398,607 B1	7/2008	Garcia et al.		
D583,538 S *	12/2008	Choi	D2/925
D594,220 S *	6/2009	McDaniel	D2/971
7,614,126 B2	11/2009	Gerhardt		

D632,470 S *	2/2011	Guers-Neyraud	D2/929
D650,564 S *	12/2011	Choi	D2/929
D738,598 S *	9/2015	Sassi	D2/929
D738,599 S *	9/2015	Sassi	D2/929
D740,000 S *	10/2015	Sassi	D2/929
D744,740 S *	12/2015	Kenison	D2/978

(Continued)

OTHER PUBLICATIONS

“Straplets—Straplets LLC.” Found online Feb. 12, 2020 at www.straplets.com. Page archived Aug. 23, 2018. Retrieved from URL: <https://web.archive.org/web/20180823042748/https://straplets.com/> (Year: 2018).*

(Continued)

Primary Examiner — Mary Ann Calabrese
Assistant Examiner — Katelin G Kloberg
(74) *Attorney, Agent, or Firm* — David Postolski, Esq.; Gearhart Law LLC

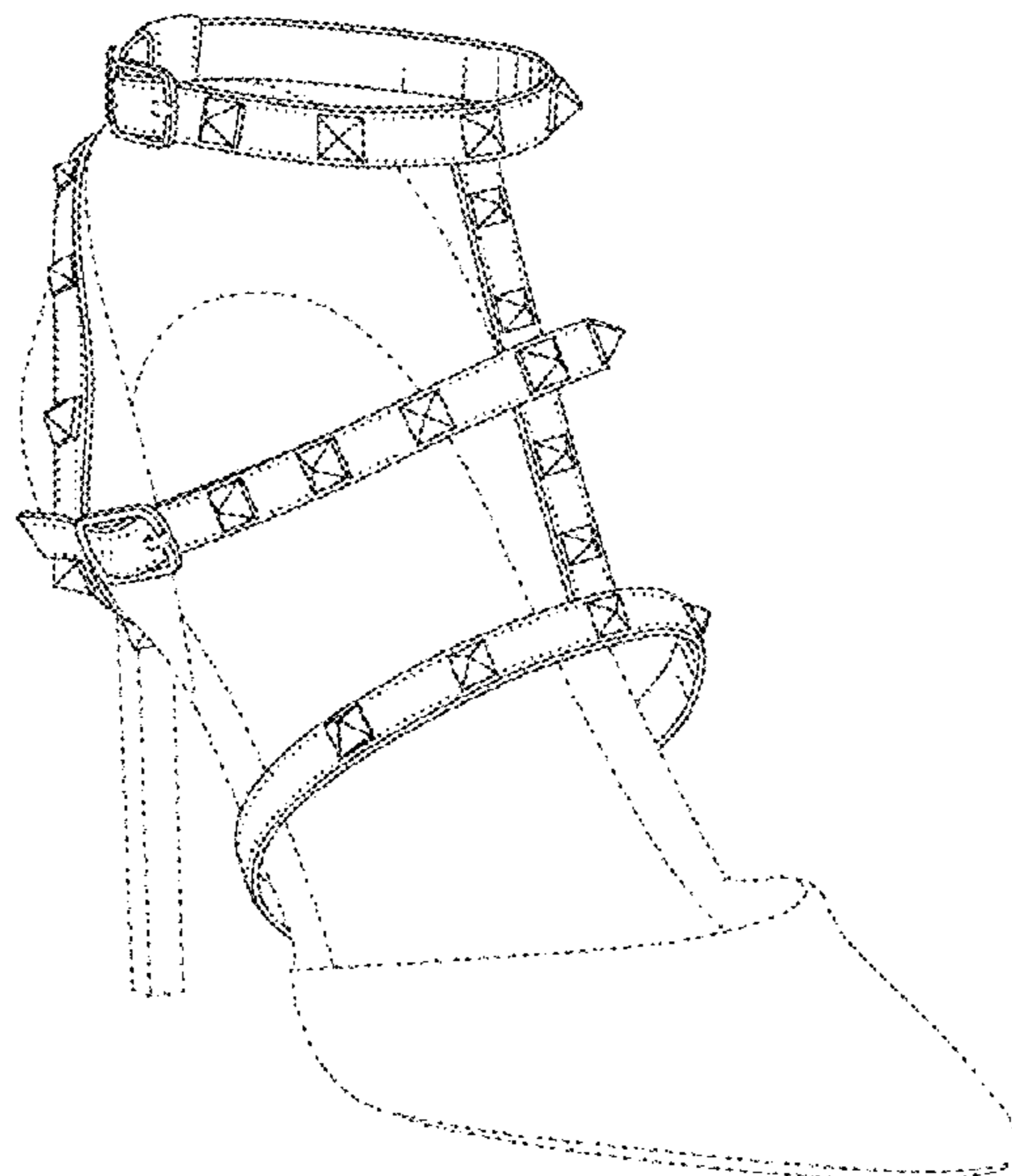
(57) **CLAIM**

The ornamental design for a shoe strap, as shown and described.

DESCRIPTION

FIG. 1 is a top, front, left side perspective view of a shoe strap, showing my new design;
FIG. 2 is a front elevation view for the shoe strap of FIG. 1;
FIG. 3 is a rear elevation view of FIG. 1;
FIG. 4 is a left side elevation view of FIG. 1;
FIG. 5 is a right side elevation view of FIG. 1;
FIG. 6 is a top plan view of FIG. 1; and,
FIG. 7 is a bottom plan view of FIG. 1.
The evenly-spaced broken lines represent environmental subject matter that forms no part of the claimed design. The dotted lines show stitching that forms part of the claimed design.

1 Claim, 7 Drawing Sheets



(56)

References Cited

U.S. PATENT DOCUMENTS

D764,775	S	*	8/2016	Sassi	D2/929
D764,776	S	*	8/2016	Sassi	D2/929
D764,777	S	*	8/2016	Sassi	D2/930
D765,954	S	*	9/2016	Sassi	D2/929
D765,956	S	*	9/2016	Sassi	D2/939
D766,557	S	*	9/2016	Sassi	D2/929
D769,589	S	*	10/2016	Sassi	D2/931
D774,737	S	*	12/2016	Sassi	D2/929
D775,797	S	*	1/2017	Sassi	D2/929
D779,796	S	*	2/2017	Sassi	D2/929
D788,445	S	*	6/2017	Fox	A45D 8/34 D2/976
D792,079	S	*	7/2017	Negri	D2/971
D799,196	S	*	10/2017	Ploughman	D2/976
D811,703	S	*	3/2018	Sassi	D2/939
D812,354	S	*	3/2018	Sassi	D2/939
D814,163	S	*	4/2018	Issler	D2/971
D815,401	S	*	4/2018	Sassi	D2/925
D817,608	S	*	5/2018	Sassi	D2/917
D818,249	S	*	5/2018	Sassi	D2/916
D818,250	S	*	5/2018	Sassi	D2/916
D827,260	S	*	9/2018	Sassi	D2/930
D827,993	S	*	9/2018	Sassi	D2/929
D834,794	S	*	12/2018	Sassi	D2/939
D835,892	S	*	12/2018	Sassi	D2/916
D835,895	S	*	12/2018	Sassi	D2/932
D838,942	S	*	1/2019	Sassi	D2/896
D851,385	S	*	6/2019	Kenison	D2/978
D852,473	S	*	7/2019	Sassi	D2/932
D856,639	S	*	8/2019	Sassi	D2/916
D866,162	S	*	11/2019	Makere	D2/978
2007/0209235	A1		9/2007	Brunelle-Wright		
2010/0299960	A1		12/2010	Nyamuswa		
2011/0154691	A1		6/2011	Mallamohamad		
2012/0192459	A1		8/2012	Aderonke		
2013/0333242	A1		12/2013	Whiting		

OTHER PUBLICATIONS

“YouTube—Straplets.” Found online Feb. 12, 2020 at www.youtube.com. Video published Sep. 15, 2018. Retrieved from URL: <https://www.youtube.com/watch?v=WFgomDvbGsc> (Year: 2018).*

“Facebook—Straplets updated their cover photo.” Found online Feb. 12, 2020 at www.facebook.com. Post dated Nov. 6, 2018. Retrieved from URL: <https://www.facebook.com/HelloStraplets/photos/a.2214931568795991/2214931485462666/?type=3&theater> (Year: 2018).*

“YouTube—The T-Straplet How-To.” Found online Feb. 12, 2020 at www.youtube.com. Video published Nov. 25, 2018. Retrieved from URL: <https://www.youtube.com/watch?v=axInAz5iDEk> (Year: 2018).*

“This 22-dollar Shoe Accessory Gives Your Heels a Completely New Look.” Found online Feb. 12, 2020 at www.footwearnews.com. Page dated Dec. 11, 2018. Retrieved from URL: <https://footwearnews.com/2018/focus/womens/straplets-shoe-straps-heels-1202716756/> (Year: 2018).*

“The T-Straplet.” Found online Feb. 12, 2020 at www.straplets.com. Product reviewed Jan. 11, 2019. Retrieved from URL: <https://straplets.com/collections/straplets/products/t-straplet#shopify-product-reviews> (Year: 2019).*

“Straplets Detachable Shoe Straps.” Found online Feb. 12, 2020 at www.amazon.com. Product first available Jan. 17, 2020. Retrieved from URL: https://www.amazon.com/Straplets-Detachable-Shoe-Strap-Accessories/dp/B07S9XQDRV/ref=sr_1_1?dchild=1&keywords=t-straplet&qid=1581528055&s=apparel&sr=1-1&th=1 (Year: 2020).*

“Spiked and Jewelled Detachable Shoe Straps.” Found online Feb. 12, 2020 at www.shoe-tease.com. Post updated Dec. 13, 2016. Retrieved from URL: <https://www.shoe-tease.com/detachable-shoe-straps-for-loose-shoes/> (Year: 2016).*

“YouTube—DIY-spiked shoes.” Found online Feb. 12, 2020 at www.youtube.com. Video published Dec. 13, 2012. Retrieved from URL: https://www.youtube.com/watch?v=wNvRX_7Hz3o (Year: 2012).*

“Lollipopuff—A Review of My Favorite Shoes: Valentino Rockstud Sandals.” Found online Feb. 12, 2020 at www.lollipopuff.com. Post reviewed Nov. 2, 2015. Retrieved from URL: <https://www.lollipopuff.com/blog/399/Valentino-rockstud-sandals-pumps-review-sizing-fit-caged> (Year: 2015).*

“Pointed Toe Studded Slingback.” Found online Feb. 11, 2020 at www.kaitlynpanshoes.com. Product reviewed Aug. 23, 2019. Retrieved from URL: <https://kaitlynpanshoes.com/collections/featured-products/products/pointed-toe-studded-slingback-high-heel-leather-sandal-pumps-new> (Year: 2019).*

“Wild Diva Women’s Pointy Toe Gold Stud.” Found online Feb. 11, 2020 at www.amazon.com. Product first available Jul. 21, 2015. Retrieved from URL: <https://www.amazon.com/dp/B083QS5WVF?creativeASIN=B0125V85P1&imprToken=VUX6J974cJ3t5NeEHauFWQ&slotNum=15&tag=valentinodupe-20&linkCode=ogi&th=1&psc=1> (Year: 2015).*

“SANDALUP Rivets Studs Flat Sandals.” Found online Feb. 11, 2020 at www.amazon.com. Product first available Apr. 8, 2018. Retrieved from URL: <https://www.amazon.com/dp/B07C1N9V5Y?creativeASIN=B07C1N9V5Y&imprToken=VUX6J974cJ3t5NeEHauFWQ&slotNum=16&tag=valentinodupe-20&linkCode=ogi&th=1&psc=1> (Year: 2018).*

* cited by examiner

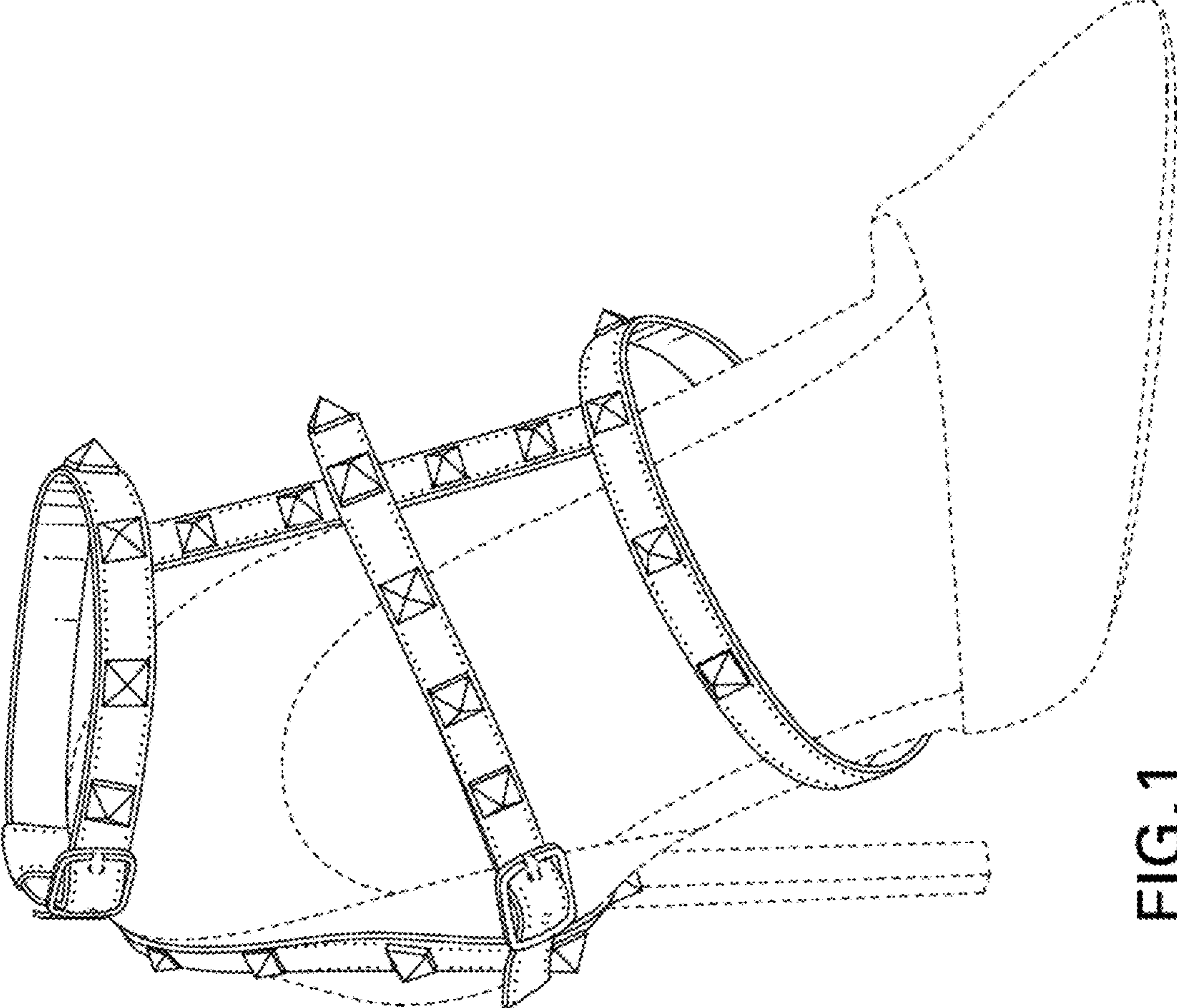


FIG. 1

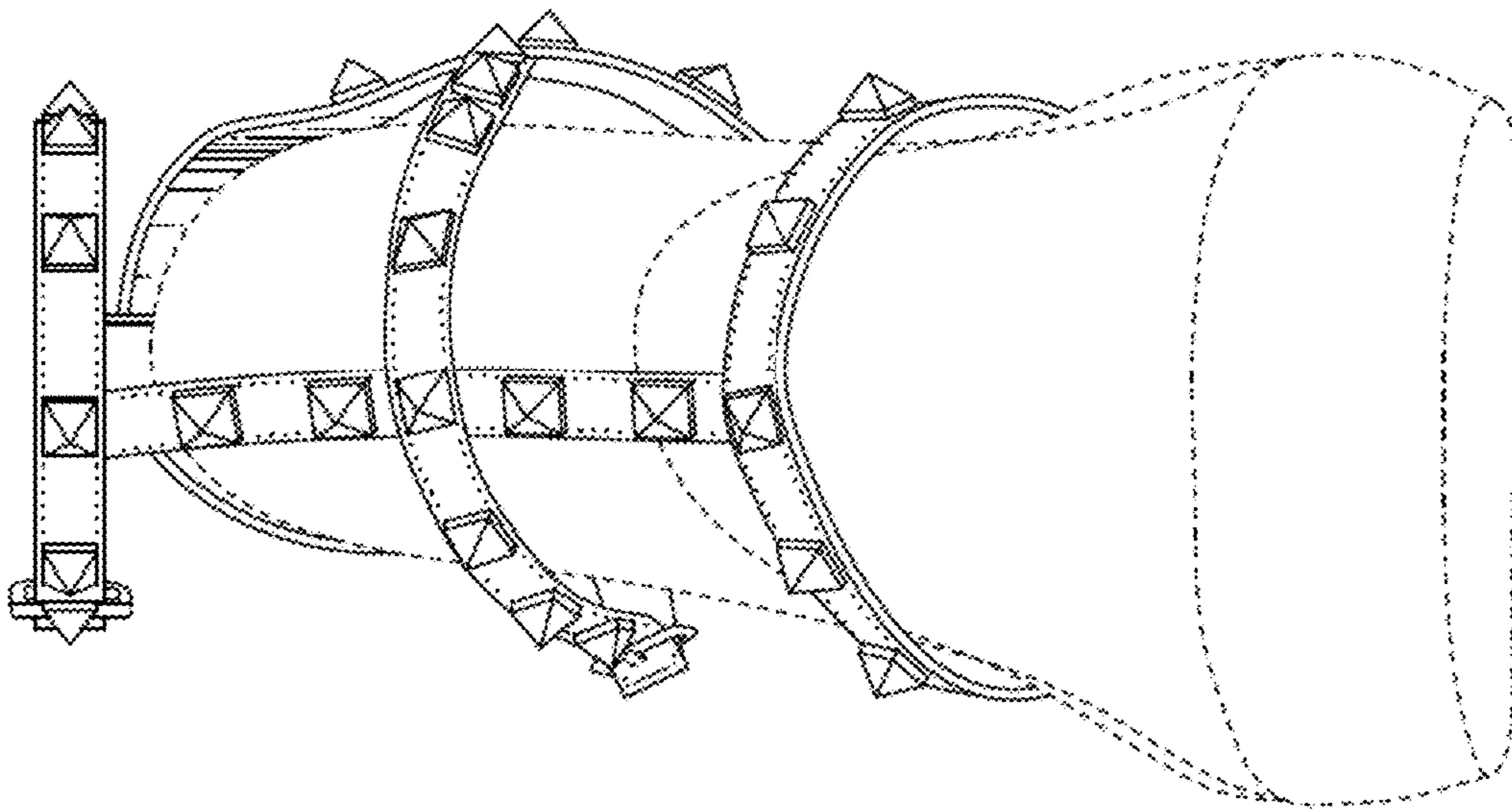


FIG.2

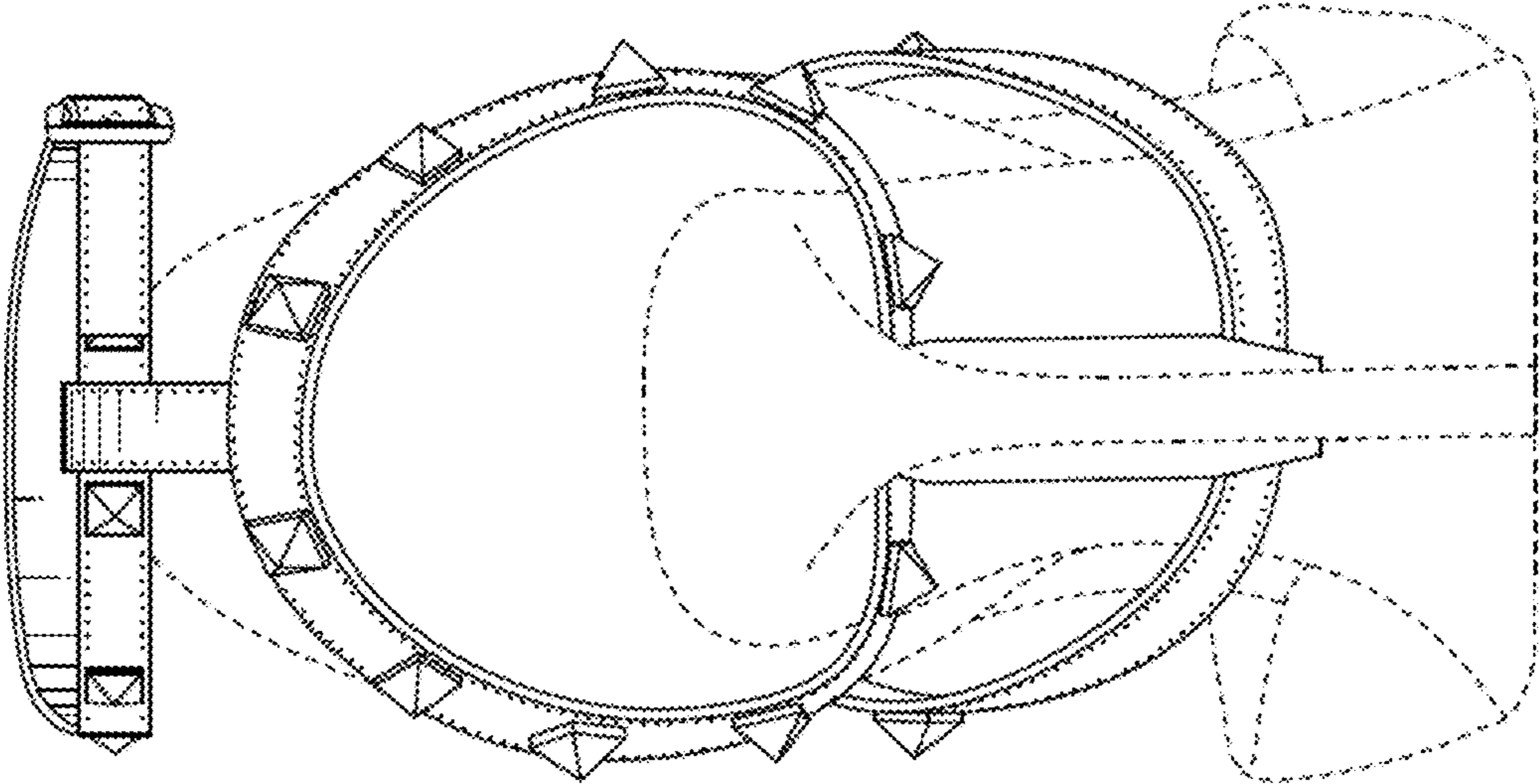


FIG.3

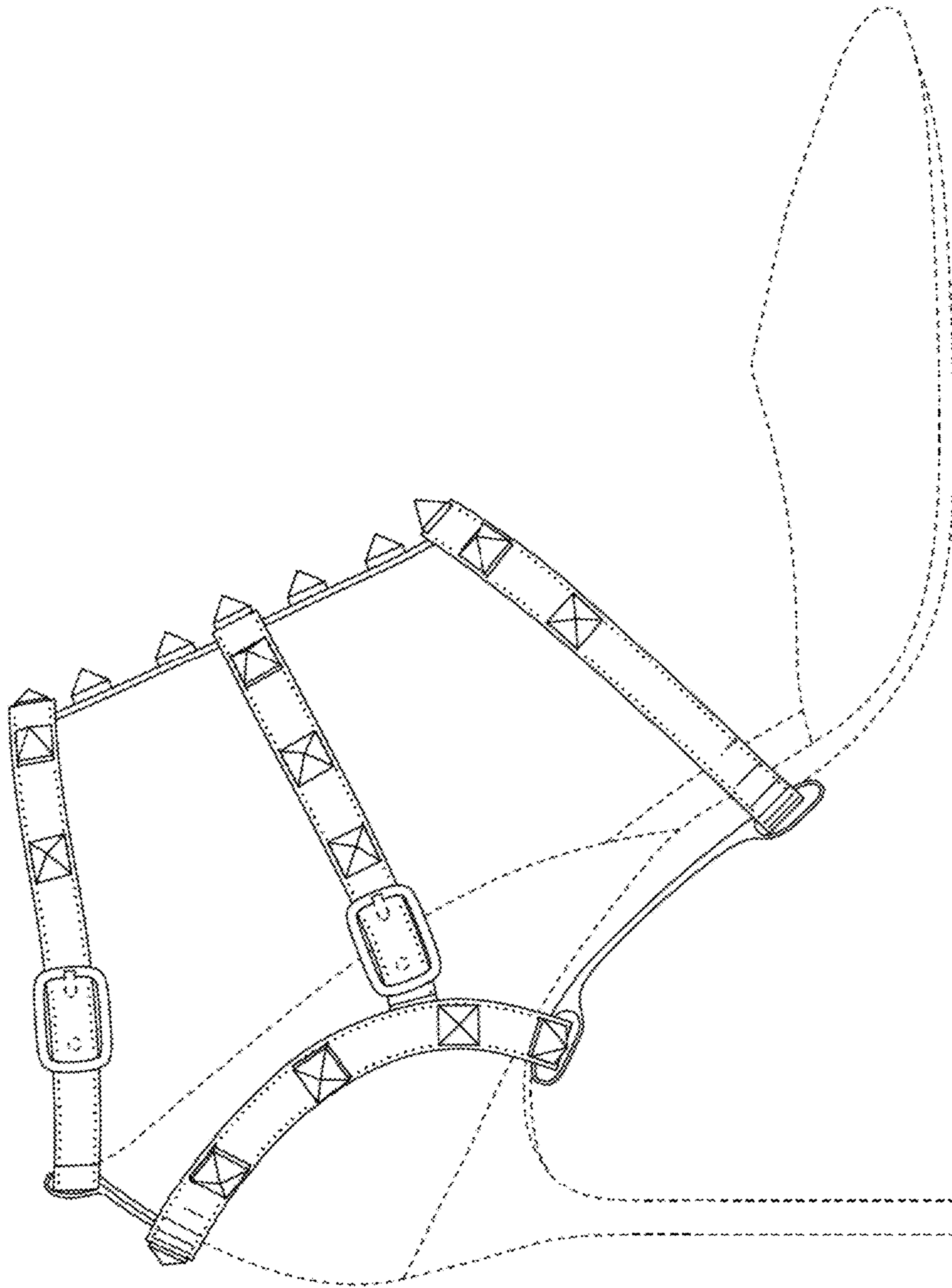


FIG.4

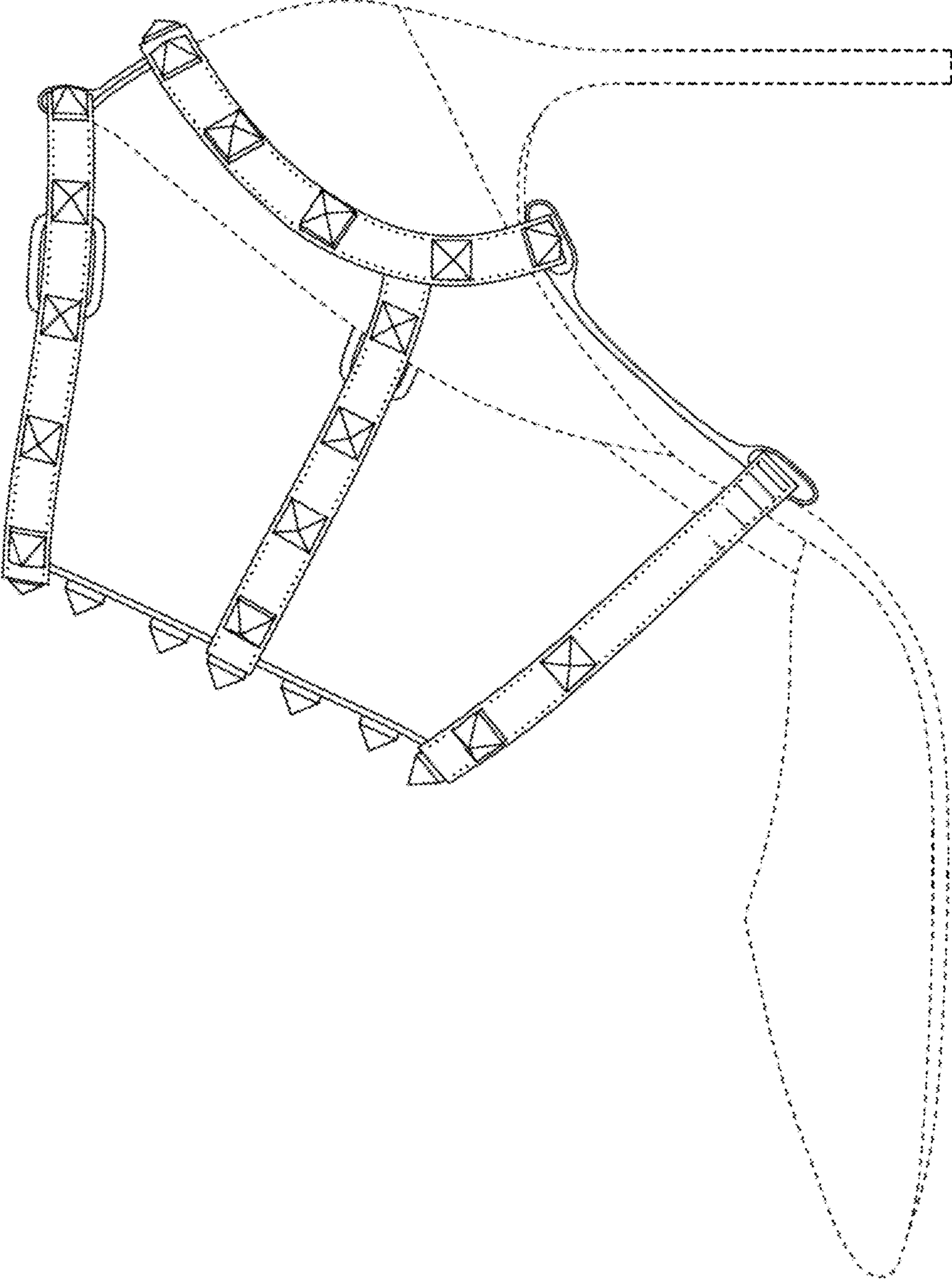


FIG. 5

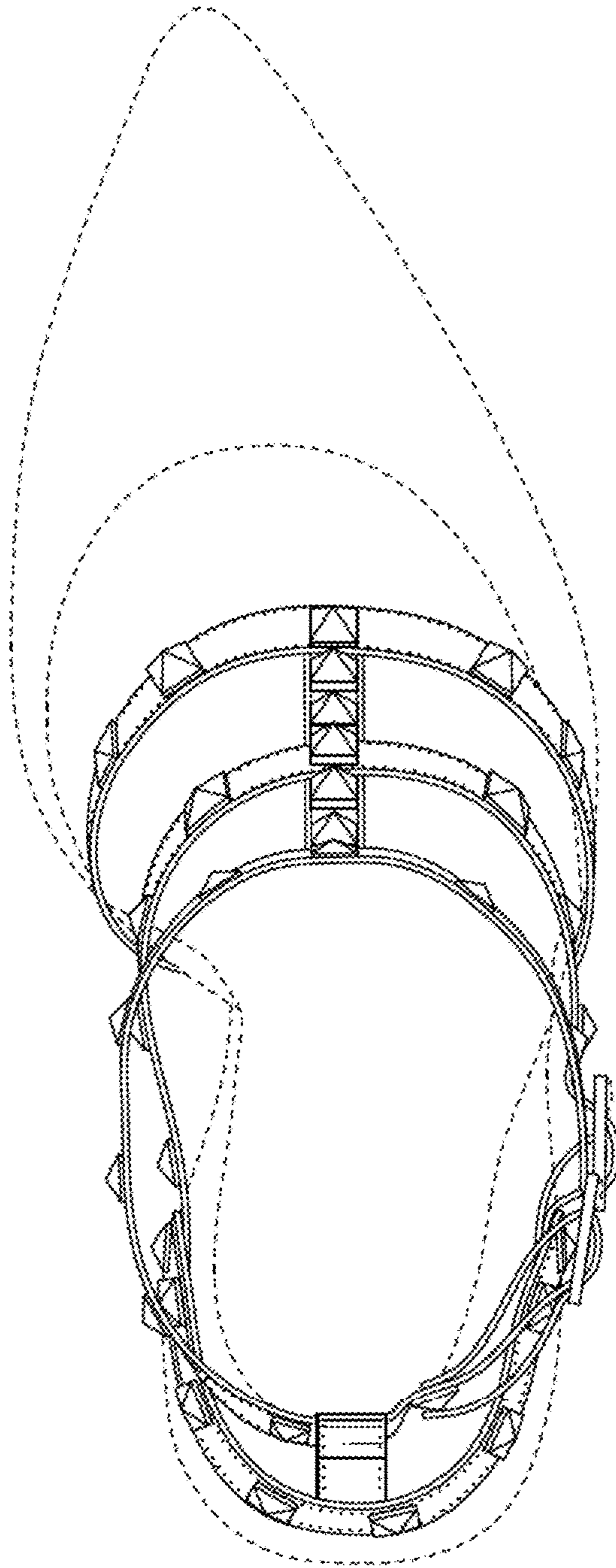


FIG.6

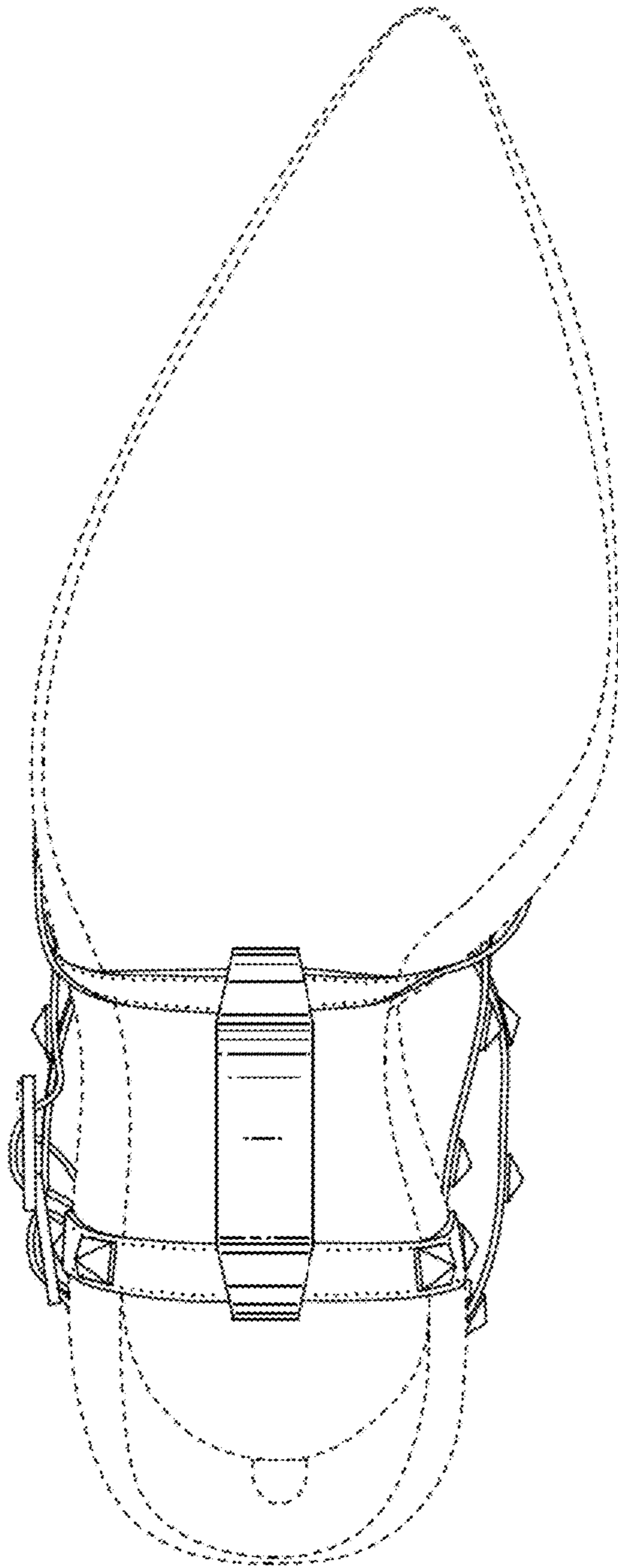


FIG. 7