

US00D896476S

(12) **United States Design Patent** (10) **Patent No.:** **US D896,476 S**
Craig (45) **Date of Patent:** **** Sep. 22, 2020**

- (54) **HAT WITH DUAL VISORS**
- (71) Applicant: **Samuel Earl Craig**, Chandler, AZ (US)
- (72) Inventor: **Samuel Earl Craig**, Chandler, AZ (US)
- (73) Assignee: **Samuel Earl Craig**, Mesa, AZ (US)
- (**) Term: **15 Years**
- (21) Appl. No.: **29/626,729**
- (22) Filed: **Nov. 20, 2017**
- (51) **LOC (12) Cl.** **02-03**
- (52) **U.S. Cl.**
USPC **D2/893; D2/882**
- (58) **Field of Classification Search**
USPC D2/865, 866, 869, 872, 873, 876, 879,
D2/882, 886, 891, 892, 893, 895;
D29/109, 122
CPC A42B 1/00; A42B 1/063; A42B 1/064;
A42B 1/065; A42B 1/248; A42B 3/00;
A42B 3/22; A42C 1/06
See application file for complete search history.

(56) **References Cited**

U.S. PATENT DOCUMENTS

- 1,677,187 A * 7/1928 Leibson A61F 9/045
2/10
- D277,521 S * 2/1985 Nasby D2/892
- 5,119,514 A * 6/1992 Woehl A42B 1/068
2/172
- 5,197,150 A 3/1993 Bedient
- D339,903 S * 10/1993 Ballew D2/884
- D340,796 S * 11/1993 Oates D2/882
- 5,471,684 A 12/1995 Casale
- 5,533,211 A 7/1996 Mehrens
- 5,623,732 A * 4/1997 Olajide, Jr. A42B 1/064
2/172
- 5,715,534 A 2/1998 Mobley
- D396,941 S * 8/1998 Olajide D2/865

- D412,773 S * 8/1999 Zak D2/869
- 6,263,508 B1 7/2001 Davis
- D475,507 S * 6/2003 Myers D2/893
- D481,524 S * 11/2003 Myers D2/882
- 6,789,267 B2 9/2004 Ahn
- D510,178 S * 10/2005 Kobayashi D2/884
- 7,240,373 B2 7/2007 Ahn et al.
- D551,827 S * 10/2007 Saveliev D2/893
- D552,330 S * 10/2007 Saveliev D2/893
- D552,331 S * 10/2007 Saveliev D2/893
- D578,739 S * 10/2008 Schussleder D2/882
- D601,330 S * 10/2009 Bishop D2/882
- D603,144 S * 11/2009 South D2/882
- D679,074 S * 4/2013 Goico Morales D2/882
- D732,803 S * 6/2015 Popovich D2/893
- D806,366 S * 1/2018 Hamilton D2/893
- D815,809 S * 4/2018 Allcock D2/882
- D834,793 S * 12/2018 Bates D2/879

(Continued)

Primary Examiner — Jasmine Mlinarcik
(74) *Attorney, Agent, or Firm* — Boudwin Intellectual Property; Tyler Donato; Daniel Brian Boudwin

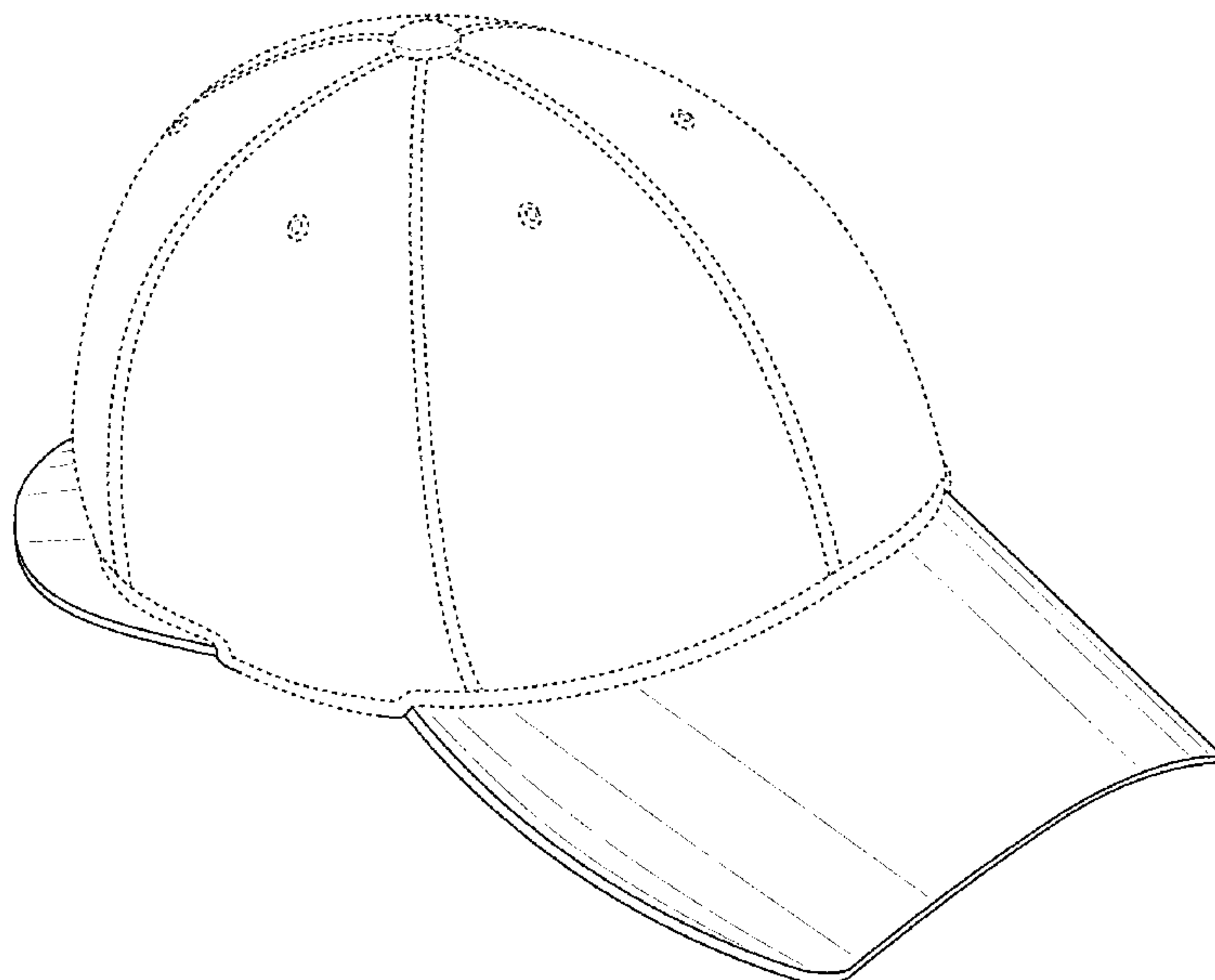
(57) **CLAIM**

The ornamental design for a hat with dual visors, as shown and described.

DESCRIPTION

FIG. 1 is a perspective view of a hat with dual visors.
FIG. 2 is a top plan view thereof.
FIG. 3 is a bottom plan view thereof.
FIG. 4 is a front elevation view thereof.
FIG. 5 is a rear elevation view thereof.
FIG. 6 is a left side elevation view thereof; and,
FIG. 7 is a right side elevation view thereof.
The broken lines in the drawings illustrate portions of the hat with dual visors that form no part of the claimed design. The broken lines immediately adjacent to the shaded areas represent the bounds of the claim and form no part of the claimed design.

1 Claim, 6 Drawing Sheets



(56)

References Cited

U.S. PATENT DOCUMENTS

D841,296 S * 2/2019 Sood D2/893
D865,333 S * 11/2019 Buritica D2/891
2006/0107440 A1* 5/2006 Keffer A42B 1/064
2/175.1
2006/0215393 A1* 9/2006 VanderSchuit G09F 21/02
362/106

* cited by examiner

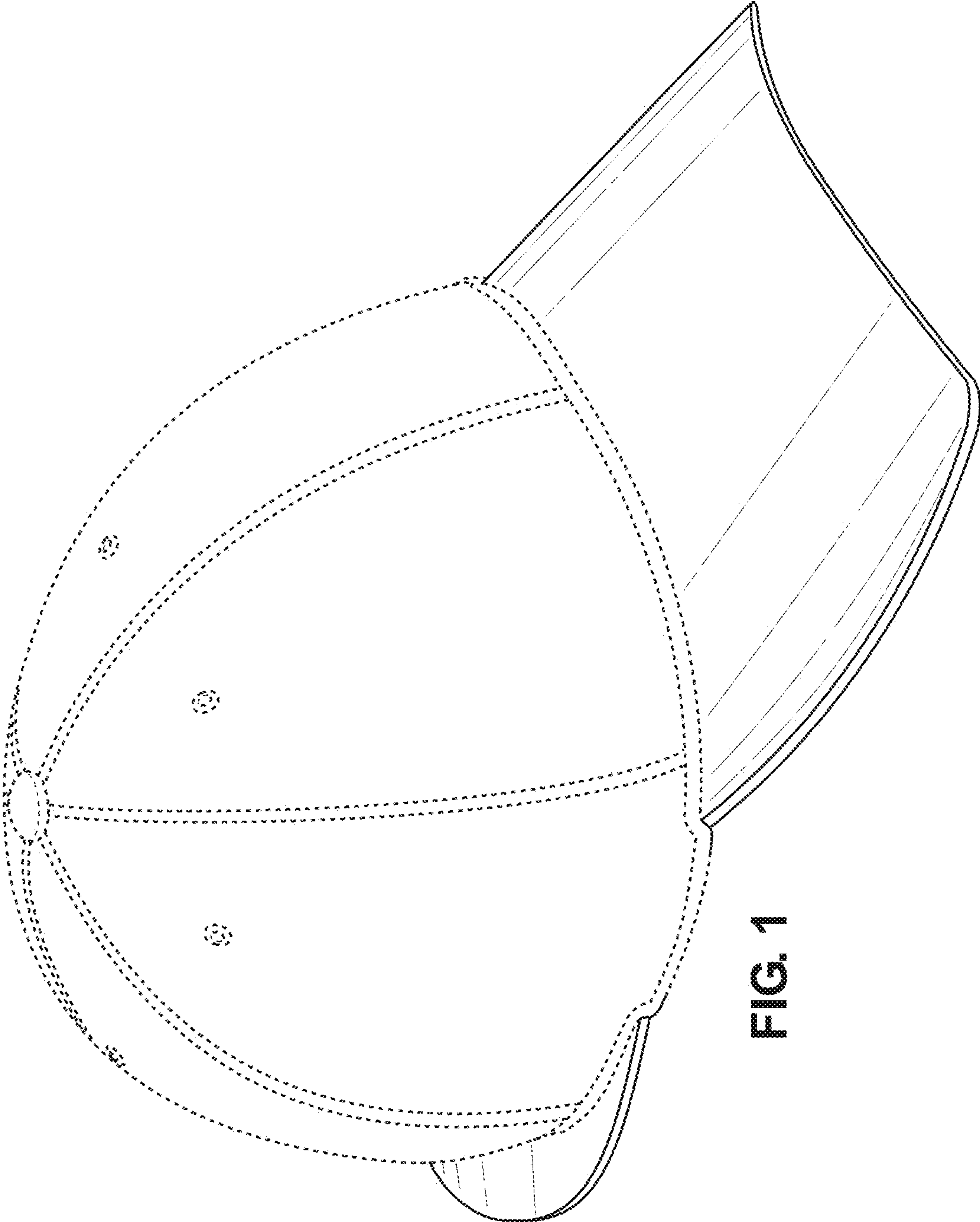


FIG. 1

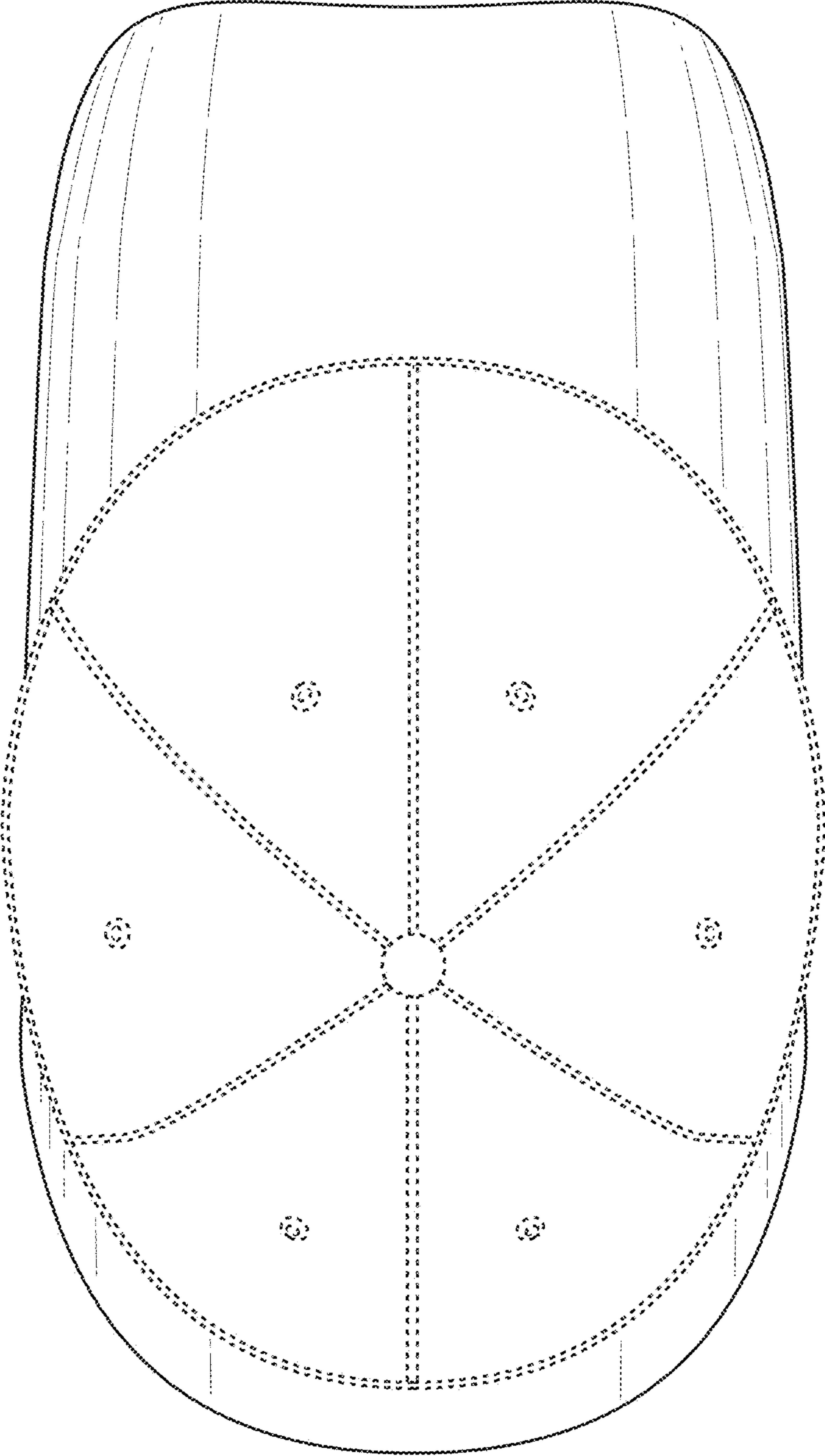


FIG. 2

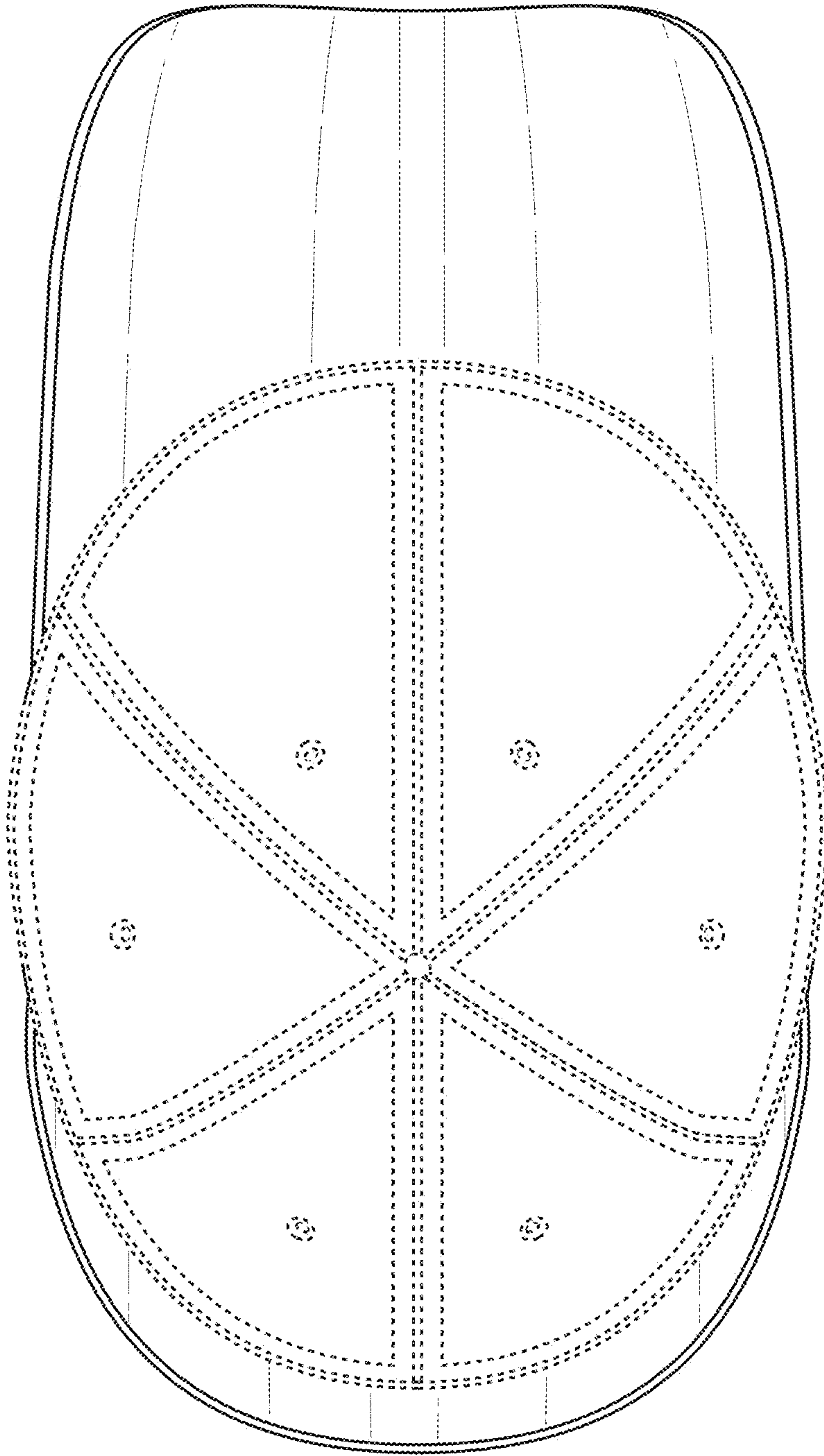


FIG. 3

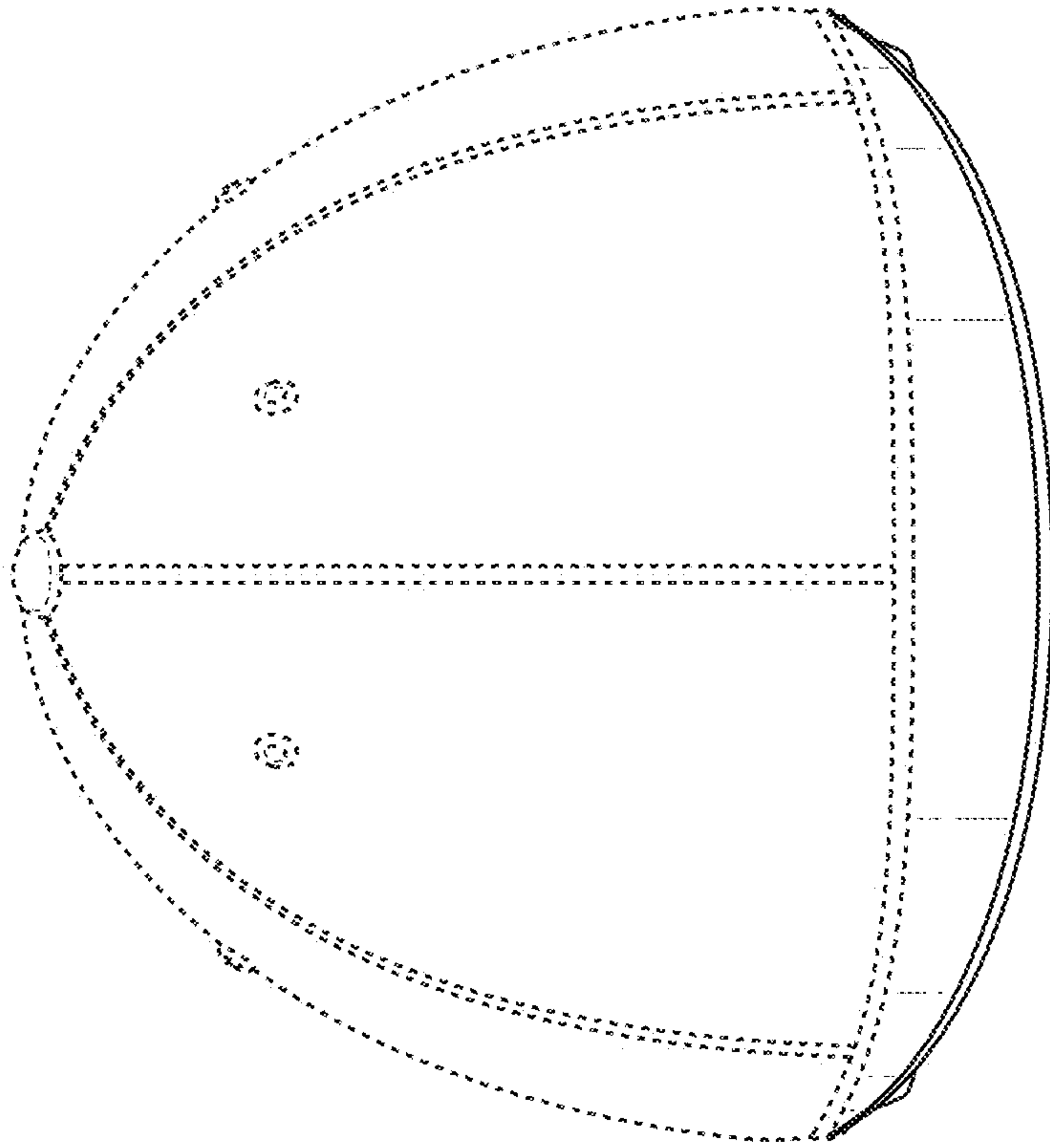


FIG. 5

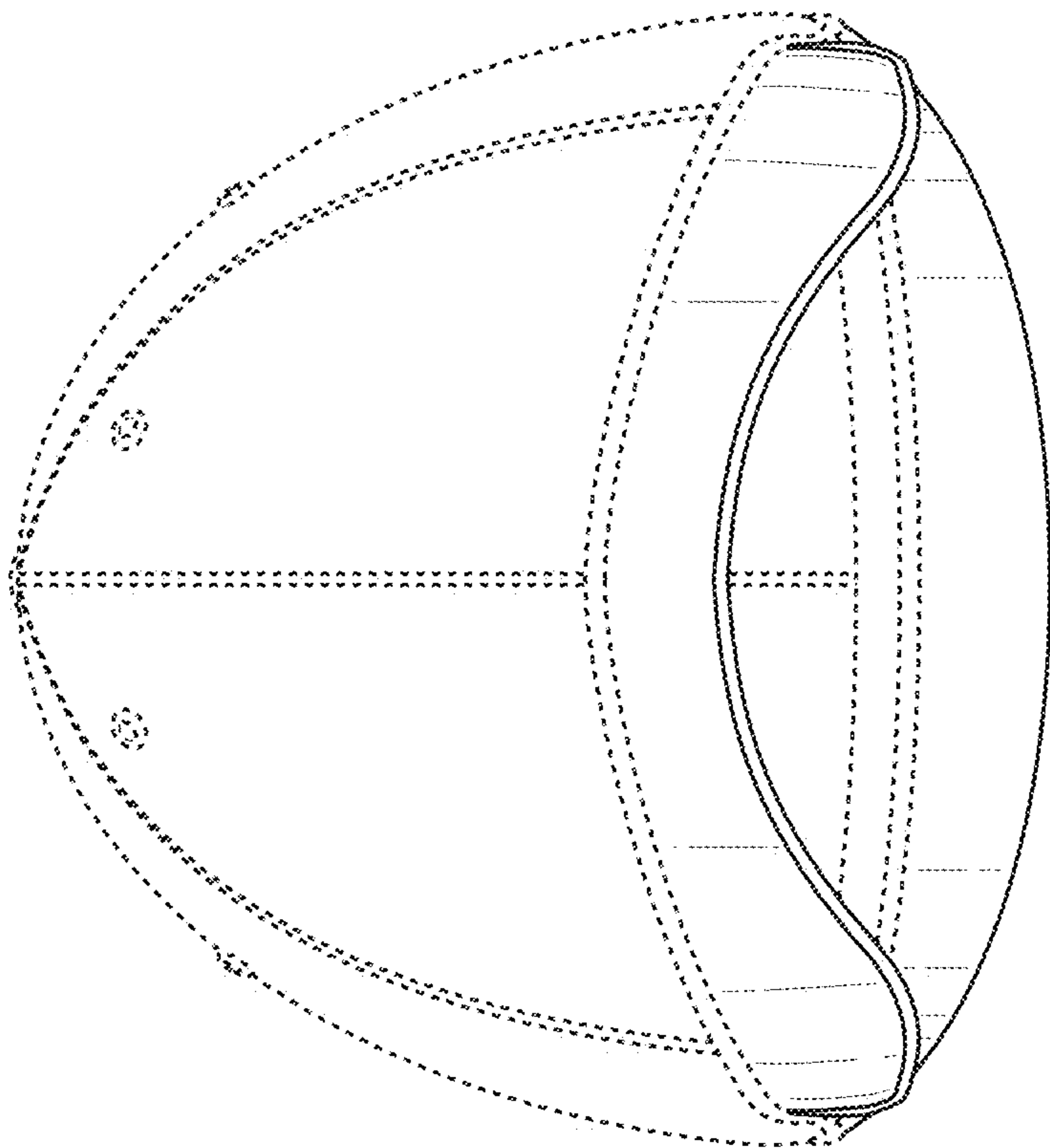


FIG. 4

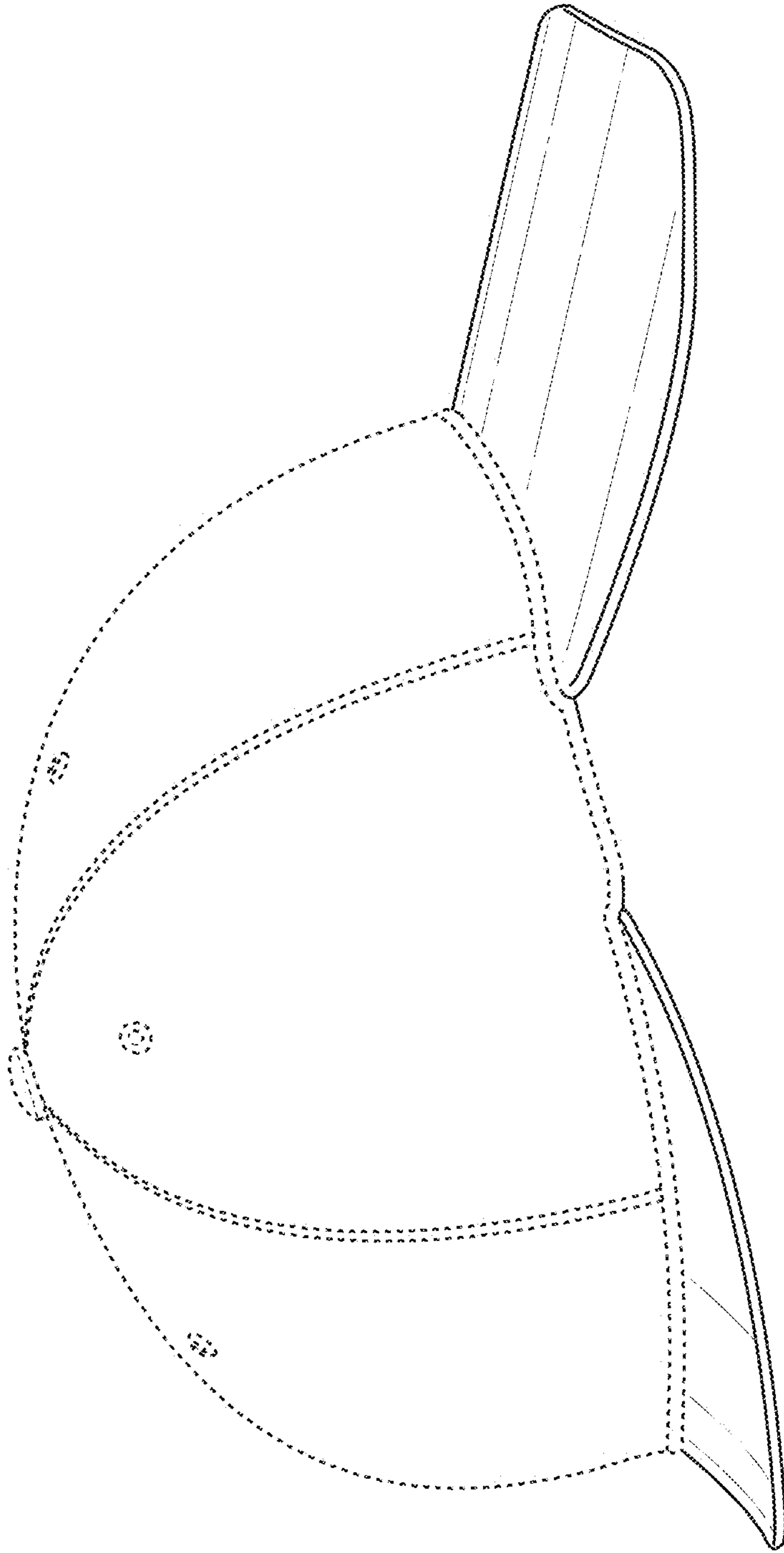


FIG. 6

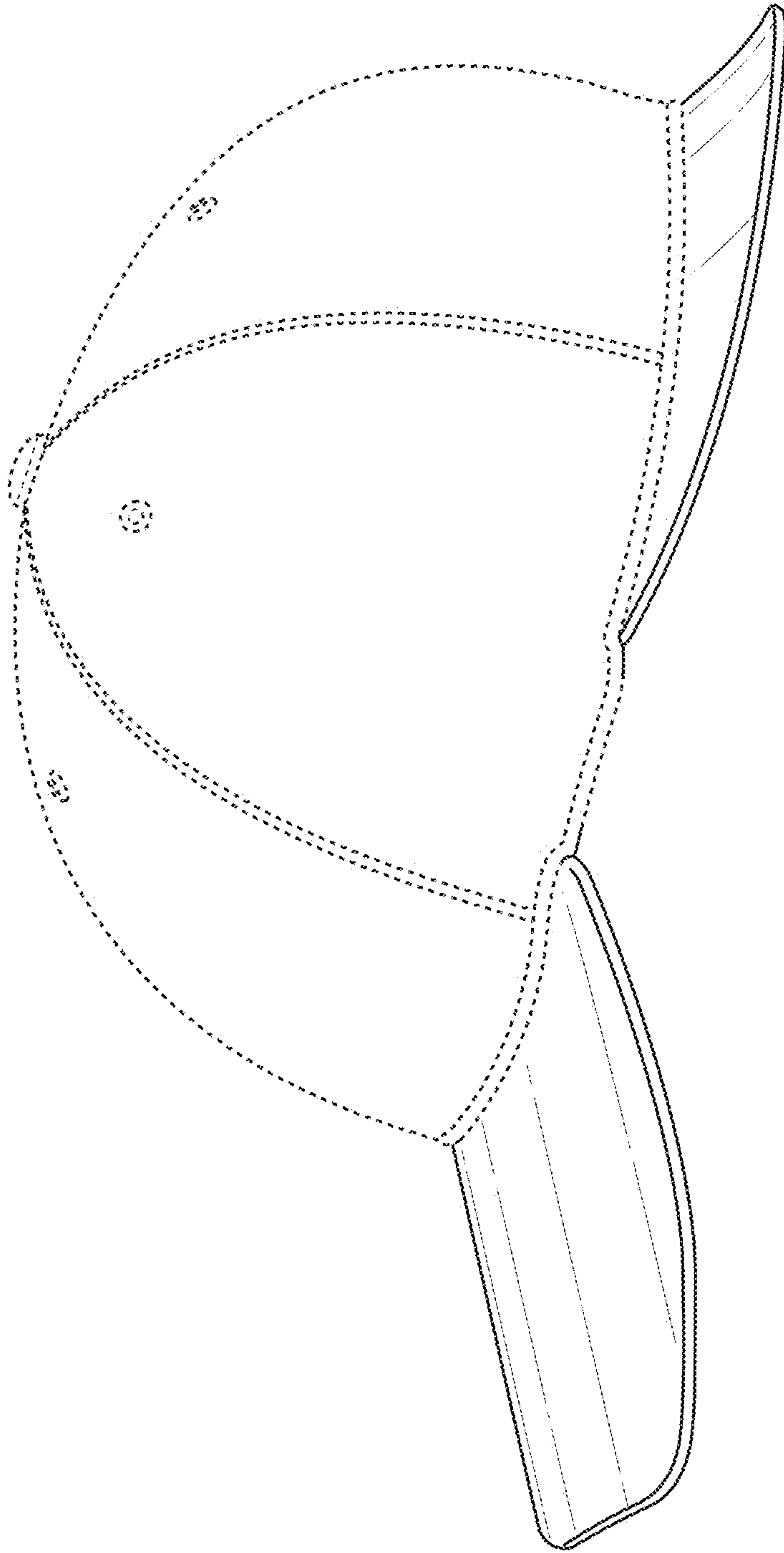


FIG. 7