



US00D896474S

(12) **United States Design Patent** (10) **Patent No.:** **US D896,474 S**
Yoo (45) **Date of Patent:** **** *Sep. 22, 2020**

(54) **CAP WITH A CROWN PORTION OF LATERAL TWO PANELS**

(71) Applicant: **YUPOONG, INC.**, Seoul (KR)

(72) Inventor: **Heungsun Yoo**, Gimpo-si (KR)

(73) Assignee: **YUPOONG, INC.**, Seoul (KR)

(*) Notice: This patent is subject to a terminal disclaimer.

(**) Term: **15 Years**

(21) Appl. No.: **29/655,247**

(22) Filed: **Jul. 2, 2018**

(51) **LOC (12) Cl.** **02-03**

(52) **U.S. Cl.**
USPC **D2/882**

(58) **Field of Classification Search**
USPC D2/865, 866, 869, 870, 871, 872, 873,
D2/874, 875, 876, 877, 878, 879, 880,
D2/881, 882, 883, 884, 886, 891, 894,
D2/895
CPC A42B 1/00; A42B 1/004; A42B 1/006;
A42B 1/02; A42B 1/06; A42B 1/061;
A42B 1/062; A42B 1/063; A42B 1/24;
A42B 1/241

See application file for complete search history.

(56) **References Cited**

U.S. PATENT DOCUMENTS

D187,519 S *	3/1960	Lasting	D2/865
D352,379 S *	11/1994	Pierce, Jr.	D2/865
D374,548 S *	10/1996	Hartland	D2/865
D384,190 S *	9/1997	Kellogg	D2/865
D396,136 S *	7/1998	Stein	D2/865
D396,942 S *	8/1998	Toscani	D2/882
D443,406 S *	6/2001	Jebaily	D2/882

D480,539 S *	10/2003	Yan	D2/882
D517,283 S *	3/2006	Shin	D2/865
D603,144 S *	11/2009	South	D2/882
D654,251 S *	2/2012	Alkas-Shamoun	D2/882
D672,535 S *	12/2012	Phan	D2/882
D693,099 S *	11/2013	Purdy	D2/882
D711,631 S *	8/2014	Gomes	D2/882
D716,528 S *	11/2014	Badish	D2/882
D723,249 S *	3/2015	Azam	D2/882
D844,940 S *	4/2019	Liljeblad	D2/882
D847,471 S *	5/2019	Gonzalez	D2/882
D852,465 S *	7/2019	Byer	D2/882
2019/0166941 A1 *	6/2019	Mao	A42B 1/062

* cited by examiner

Primary Examiner — Jasmine Mlinarcik

(74) *Attorney, Agent, or Firm* — Lex IP Meister, PLLC

(57) **CLAIM**

The ornamental design for a cap with a crown portion of lateral two panels, as shown and described.

DESCRIPTION

FIG. 1 is a perspective view of the cap with a crown portion of lateral two panels showing my design; FIG. 2 is a front elevation view thereof; FIG. 3 is a back elevation view thereof; FIG. 4 is a left side elevation view thereof; FIG. 5 is a right side elevation view thereof; FIG. 6 is a top plan view thereof; and, FIG. 7 is a bottom plan view thereof.

The long dashed broken lines illustrating the visor, button and crown interior of the cap, as well as the unshaded areas within the broken lines and adjacent to the solid lines, define portions of the cap that form no part of the claimed design. The short dashed broken lines depict stitching that forms no part of the claimed design. The long dashed broken lines and short dashed broken lines do not form part of the claimed design.

1 Claim, 7 Drawing Sheets

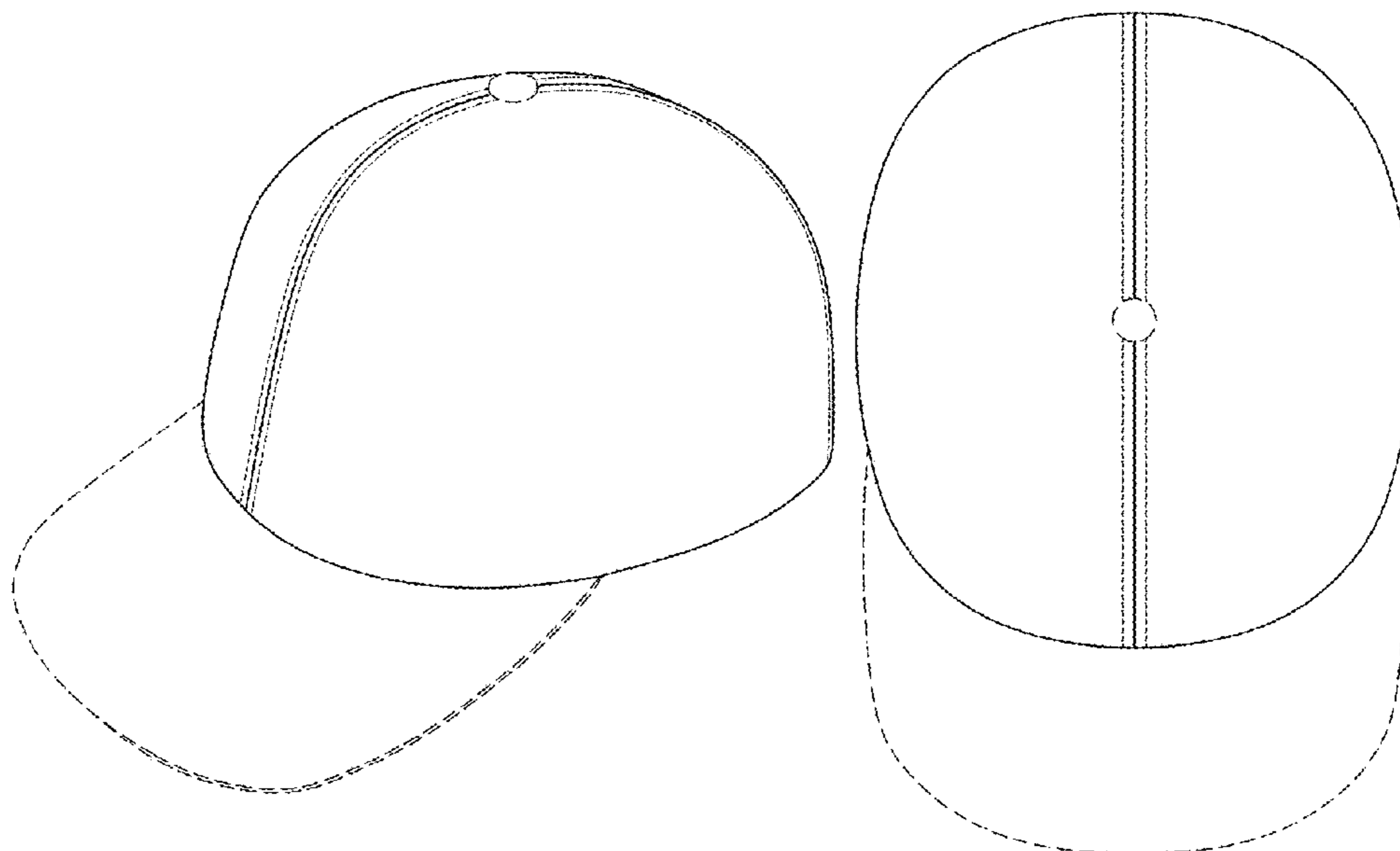


FIG. 1

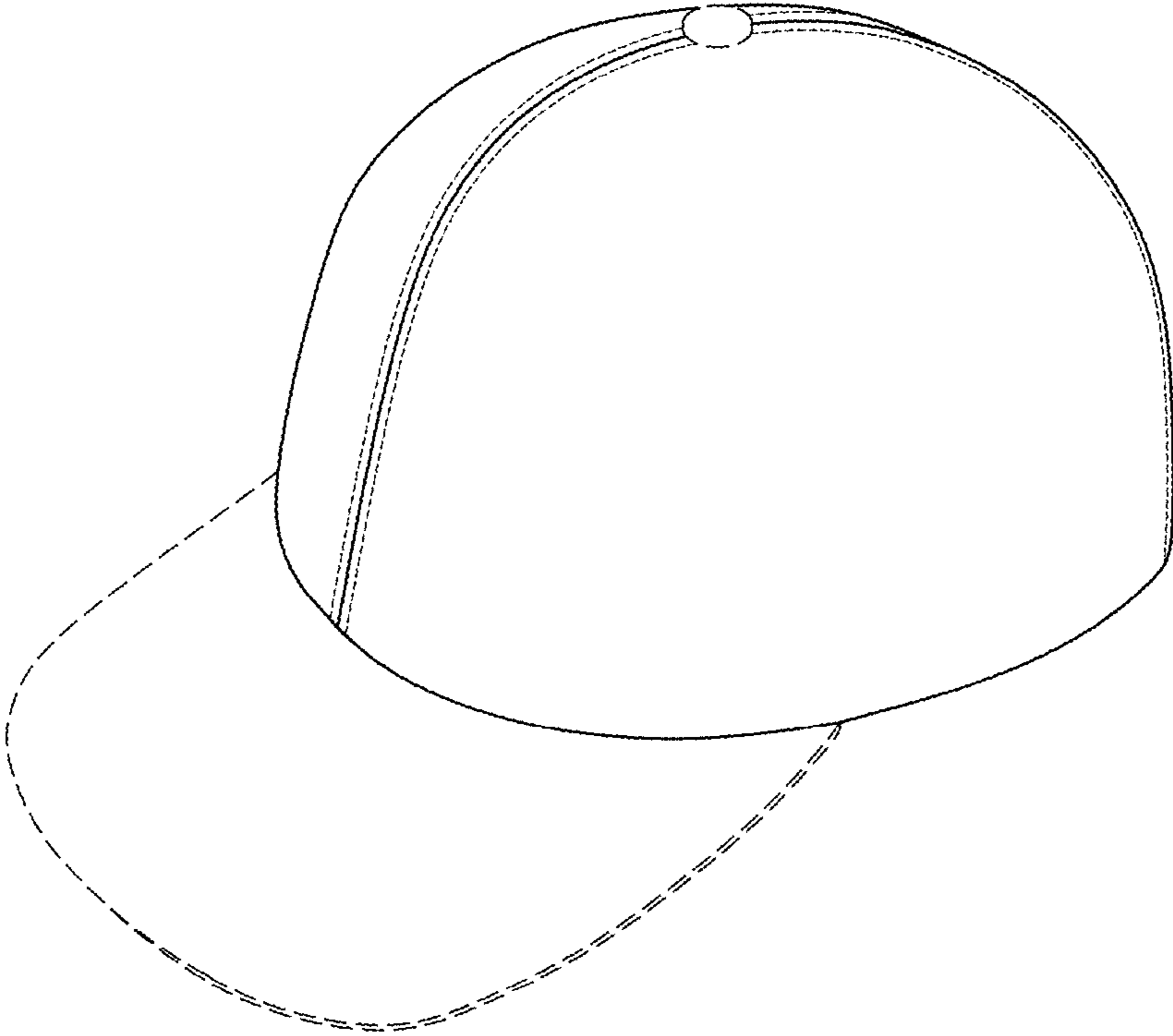


FIG. 2

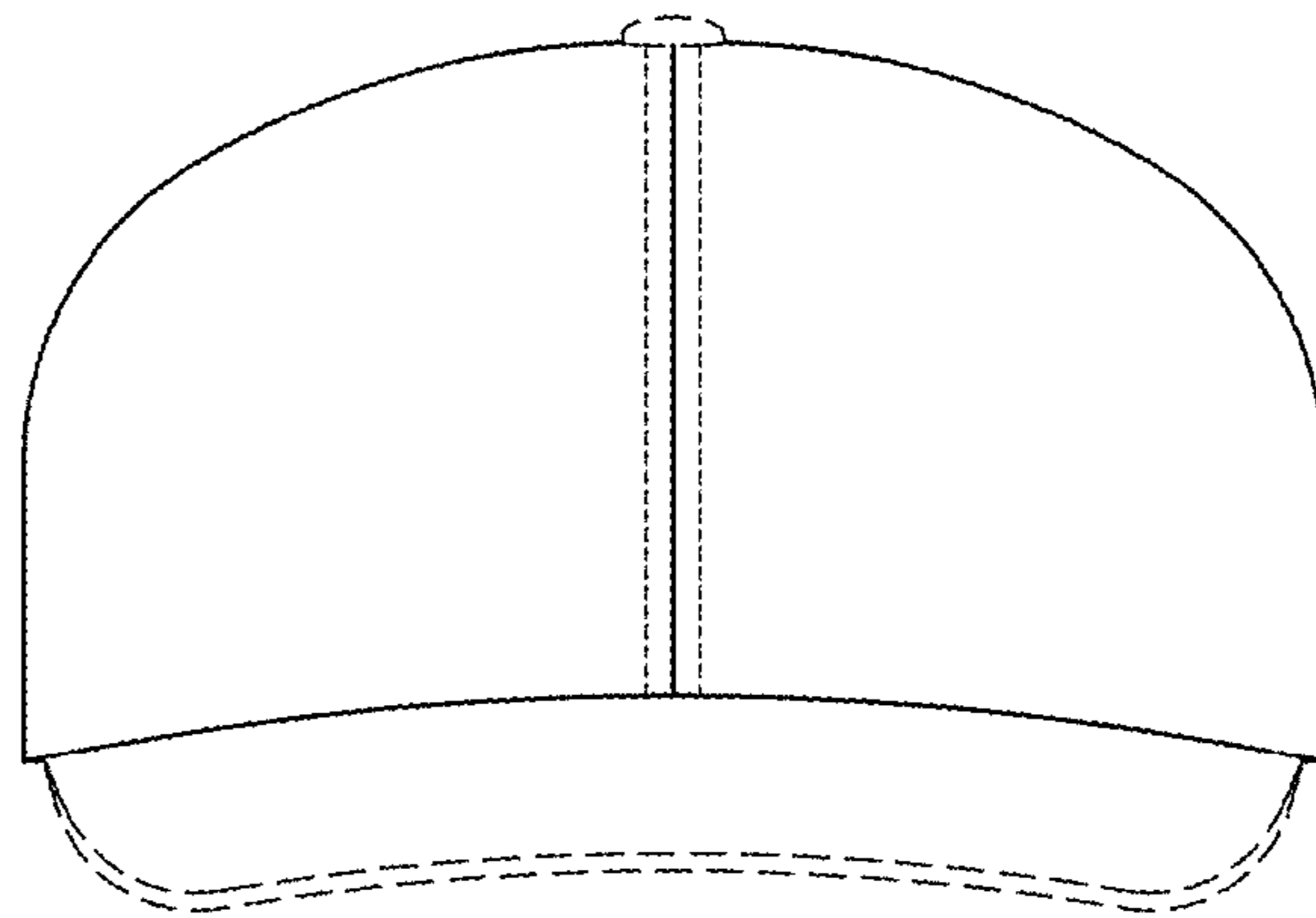


FIG. 3

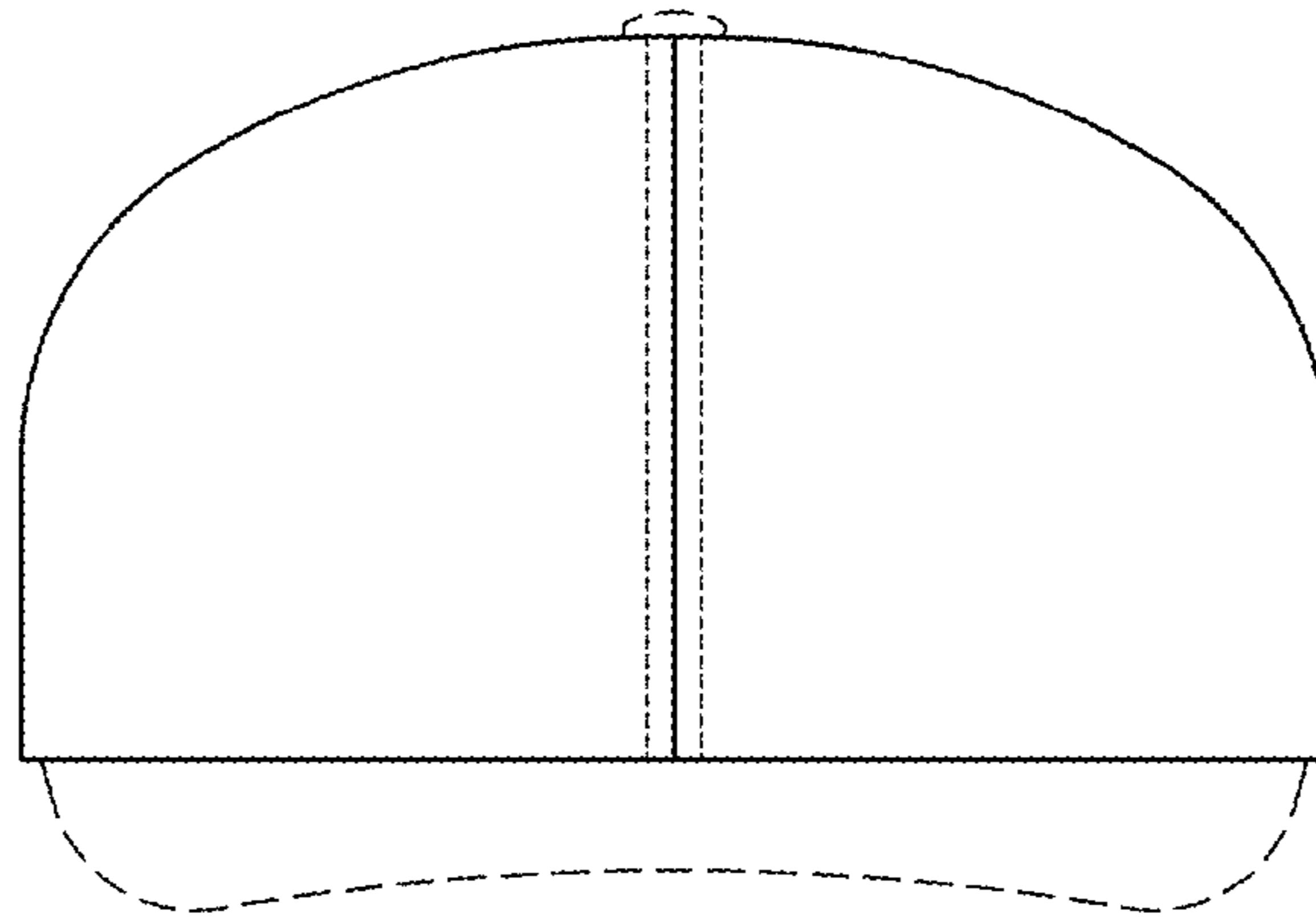


FIG. 4

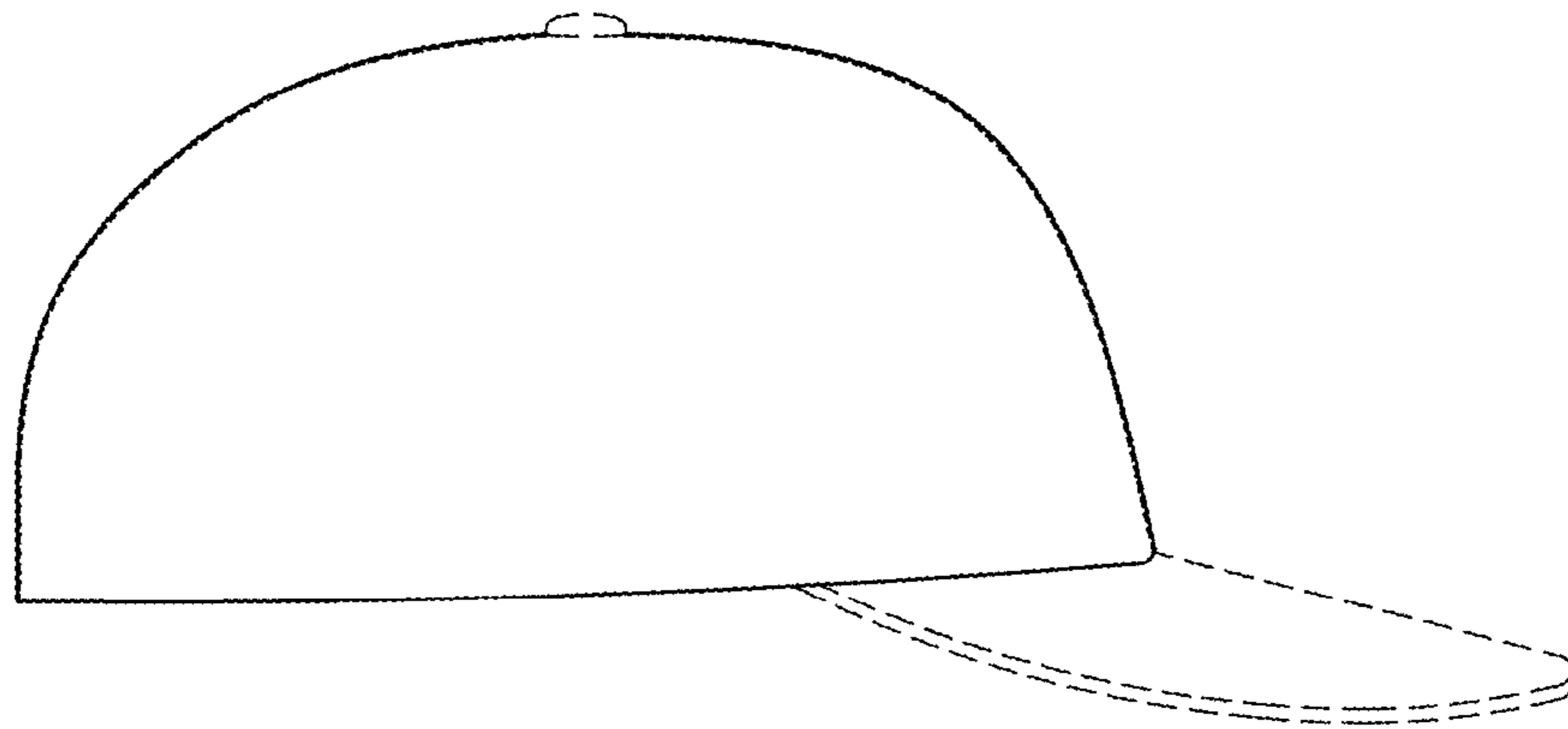


FIG. 5

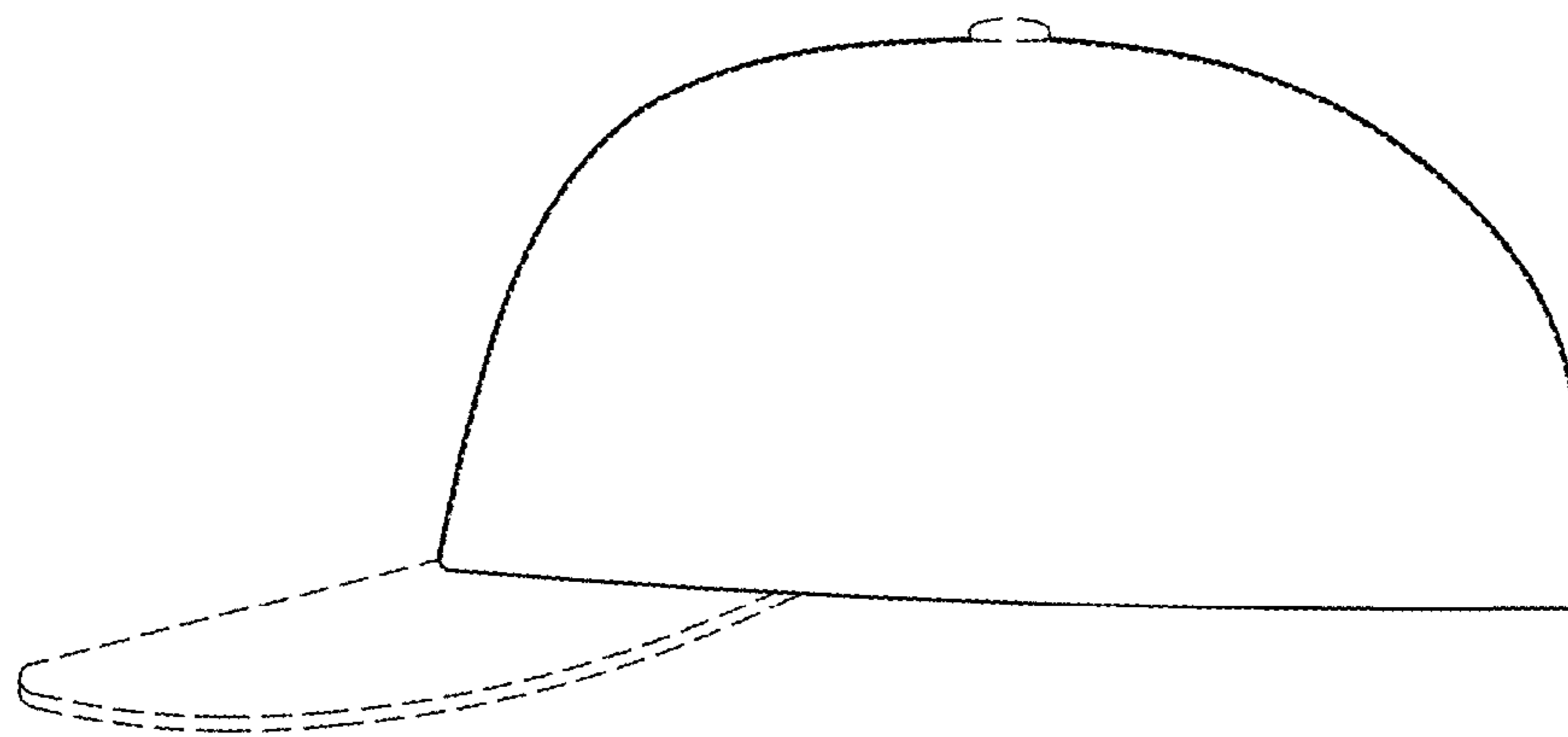


FIG. 6

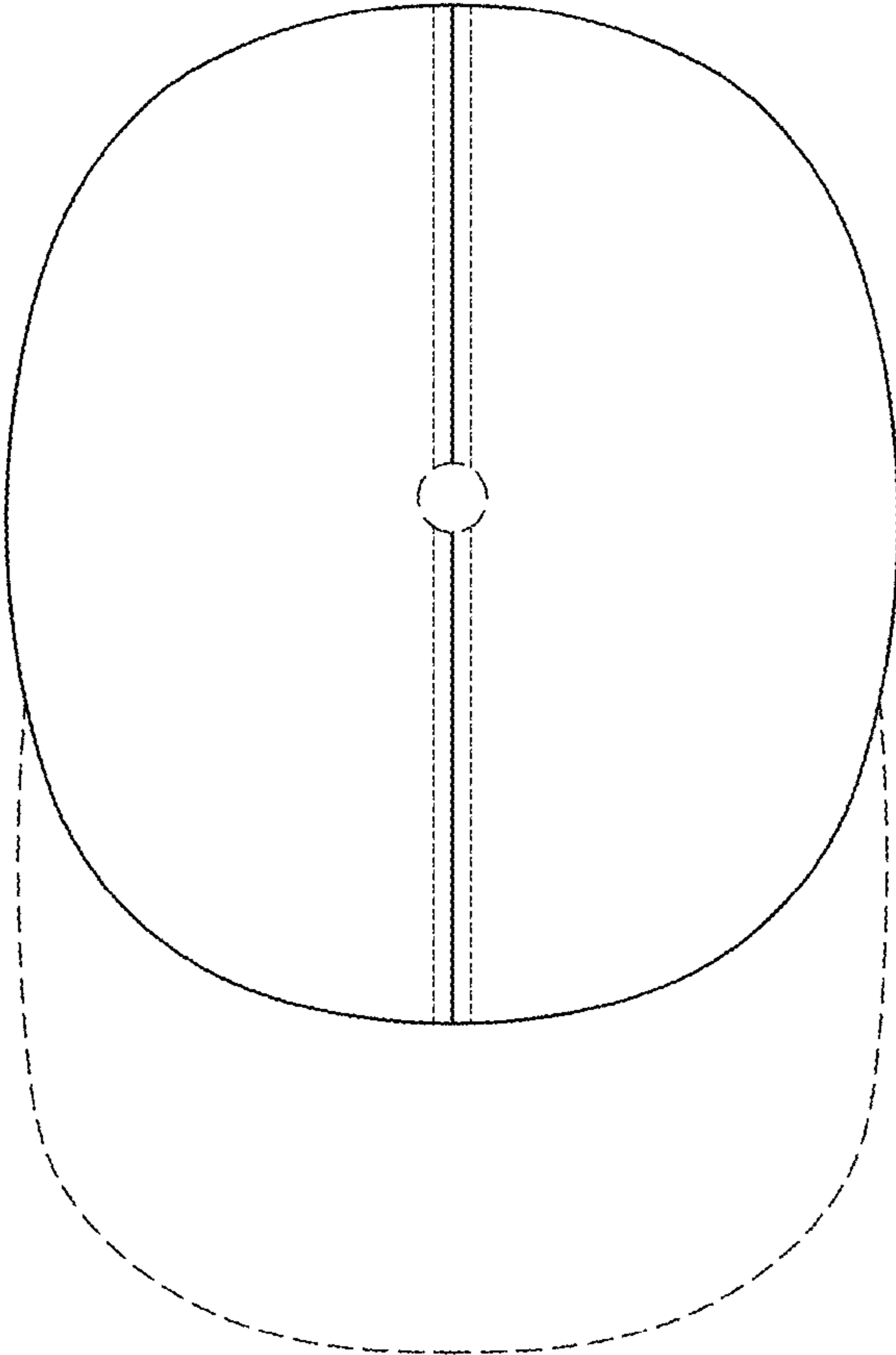
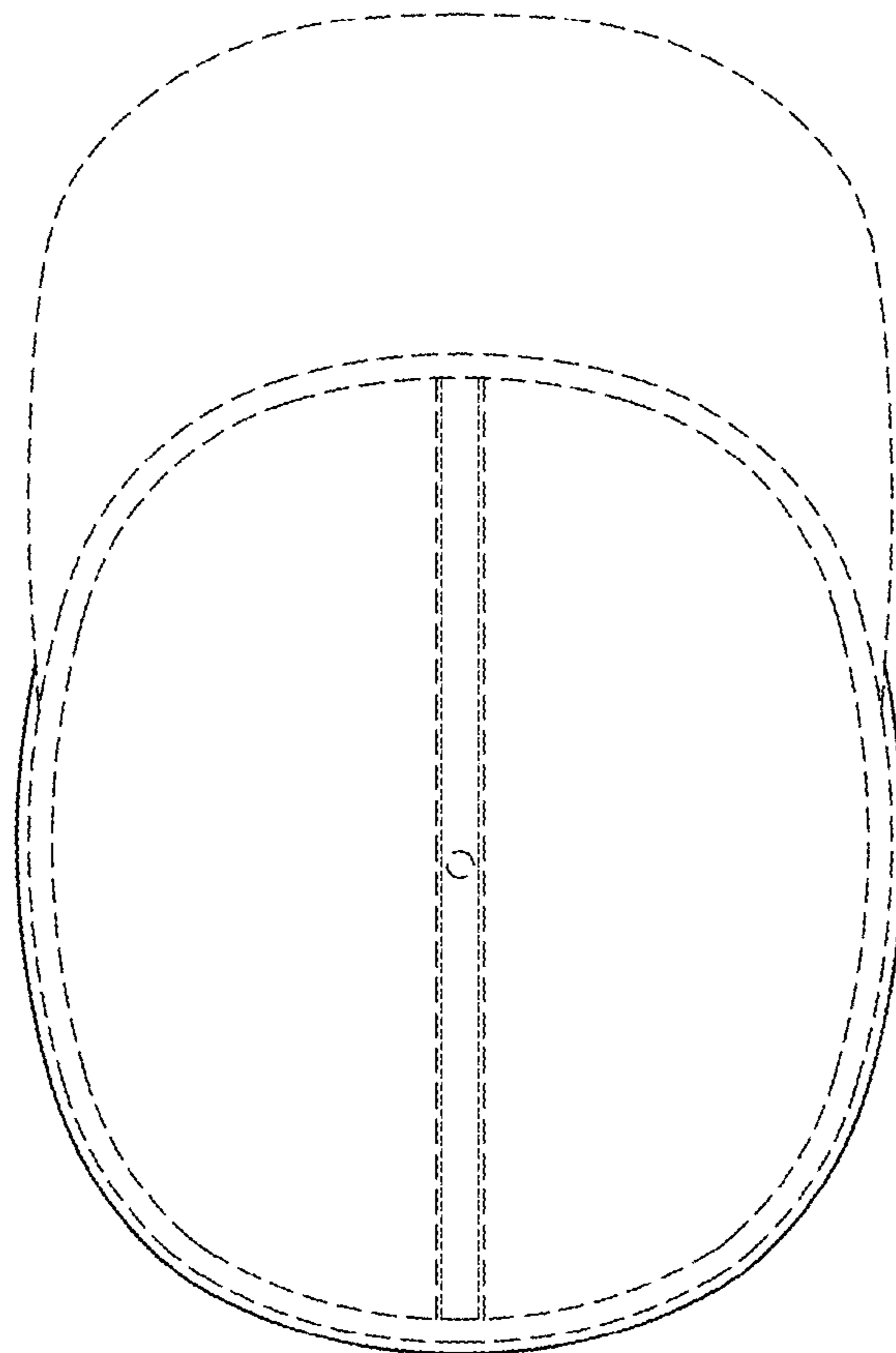


FIG. 7



UNITED STATES PATENT AND TRADEMARK OFFICE
CERTIFICATE OF CORRECTION

PATENT NO. : D896,474 S
APPLICATION NO. : 29/655247
DATED : September 22, 2020
INVENTOR(S) : Heungsun Yoo

Page 1 of 1

It is certified that error appears in the above-identified patent and that said Letters Patent is hereby corrected as shown below:

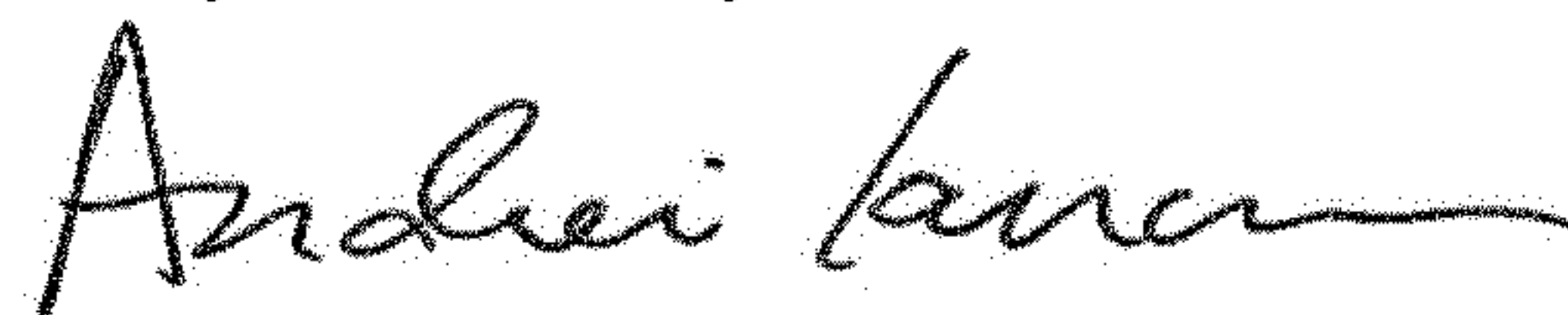
On the Title Page

In the Title, "CAP WITH A CROWN PORTION OF LATERAL TWO PANELS" should be
--CAP WITH A CROWN PORTION OF LONGITUDINAL TWO PANELS--.

Column 2, in the Claim, item (57), change "a crown portion of lateral two panels," to --a crown
portion of longitudinal two panels,--.

Column 2, in the Description, item (57), change "FIG. 1 is a perspective view of the CAP with a
crown portion of lateral two panels showing my design;" to --FIG. 1 is a perspective view of the CAP
with a crown portion of longitudinal two panels showing my design;--.

Signed and Sealed this
Twenty-ninth Day of December, 2020



Andrei Iancu
Director of the United States Patent and Trademark Office