



US00D896473S

(12) **United States Design Patent** (10) **Patent No.:** **US D896,473 S**  
**Yoo** (45) **Date of Patent:** **\*\* \*Sep. 22, 2020**

(54) **CAP WITH A CROWN PORTION OF LATERAL TWO PANELS**

(71) Applicant: **YUPOONG, INC.**, Seoul (KR)

(72) Inventor: **Heungsun Yoo**, Gimpo-si (KR)

(73) Assignee: **YUPOONG, INC.**, Seoul (KR)

(\*) Notice: This patent is subject to a terminal disclaimer.

(\*\*) Term: **15 Years**

(21) Appl. No.: **29/655,243**

(22) Filed: **Jul. 2, 2018**

(51) **LOC (12) Cl.** ..... **02-03**

(52) **U.S. Cl.**  
USPC ..... **D2/882**

(58) **Field of Classification Search**  
USPC ..... D2/865, 866, 869, 870, 871, 872, 873,  
D2/874, 875, 876, 877, 878, 879, 880,  
D2/881, 882, 883, 884, 886, 891, 894,  
D2/895  
CPC ..... A42B 1/00; A42B 1/004; A42B 1/006;  
A42B 1/02; A42B 1/06; A42B 1/061;  
A42B 1/062; A42B 1/063; A42B 1/24;  
A42B 1/241

See application file for complete search history.

(56) **References Cited**

**U.S. PATENT DOCUMENTS**

D187,519 S *	3/1960	Lasting	.....	D2/865
D352,379 S *	11/1994	Pierce, Jr.	.....	D2/865
D374,548 S *	10/1996	Hartland	.....	D2/865
D384,190 S *	9/1997	Kellogg	.....	D2/865
D396,136 S *	7/1998	Stein	.....	D2/865
D396,942 S *	8/1998	Toscani	.....	D2/882
D443,406 S *	6/2001	Jebaily	.....	D2/882

D480,539 S *	10/2003	Yan	.....	D2/882
D517,283 S *	3/2006	Shin	.....	D2/865
D603,144 S *	11/2009	South	.....	D2/882
D654,251 S *	2/2012	Alkas-Shamoun	.....	D2/882
D672,535 S *	12/2012	Phan	.....	D2/882
D693,099 S *	11/2013	Purdy	.....	D2/882
D711,631 S *	8/2014	Gomes	.....	D2/882
D716,528 S *	11/2014	Badish	.....	D2/882
D723,249 S *	3/2015	Azam	.....	D2/882
D844,940 S *	4/2019	Liljeblad	.....	D2/882
D847,471 S *	5/2019	Gonzalez	.....	D2/882
D852,465 S *	7/2019	Byer	.....	D2/882
2019/0166941 A1 *	6/2019	Mao	.....	A42B 1/062

\* cited by examiner

*Primary Examiner* — Jasmine Mlinarcik

(74) *Attorney, Agent, or Firm* — Lex IP Meister, PLLC

(57) **CLAIM**

The ornamental design for a cap with a crown portion of lateral two panels, as shown and described.

**DESCRIPTION**

FIG. 1 is a perspective view of the cap with a crown portion of lateral two panels showing my design; FIG. 2 is a front elevation view thereof; FIG. 3 is a back elevation view thereof; FIG. 4 is a left side elevation view thereof; FIG. 5 is a right side elevation view thereof; FIG. 6 is a top plan view thereof; and, FIG. 7 is a bottom plan view thereof.

The long dashed broken lines illustrating the visor, button and crown interior of the cap, as well as the unshaded areas within the broken lines and adjacent to the solid lines, define portions of the cap that form no part of the claimed design. The short dashed broken lines depict stitching that forms no part of the claimed design. The long dashed broken lines and short dashed broken lines do not form part of the claimed design.

**1 Claim, 7 Drawing Sheets**

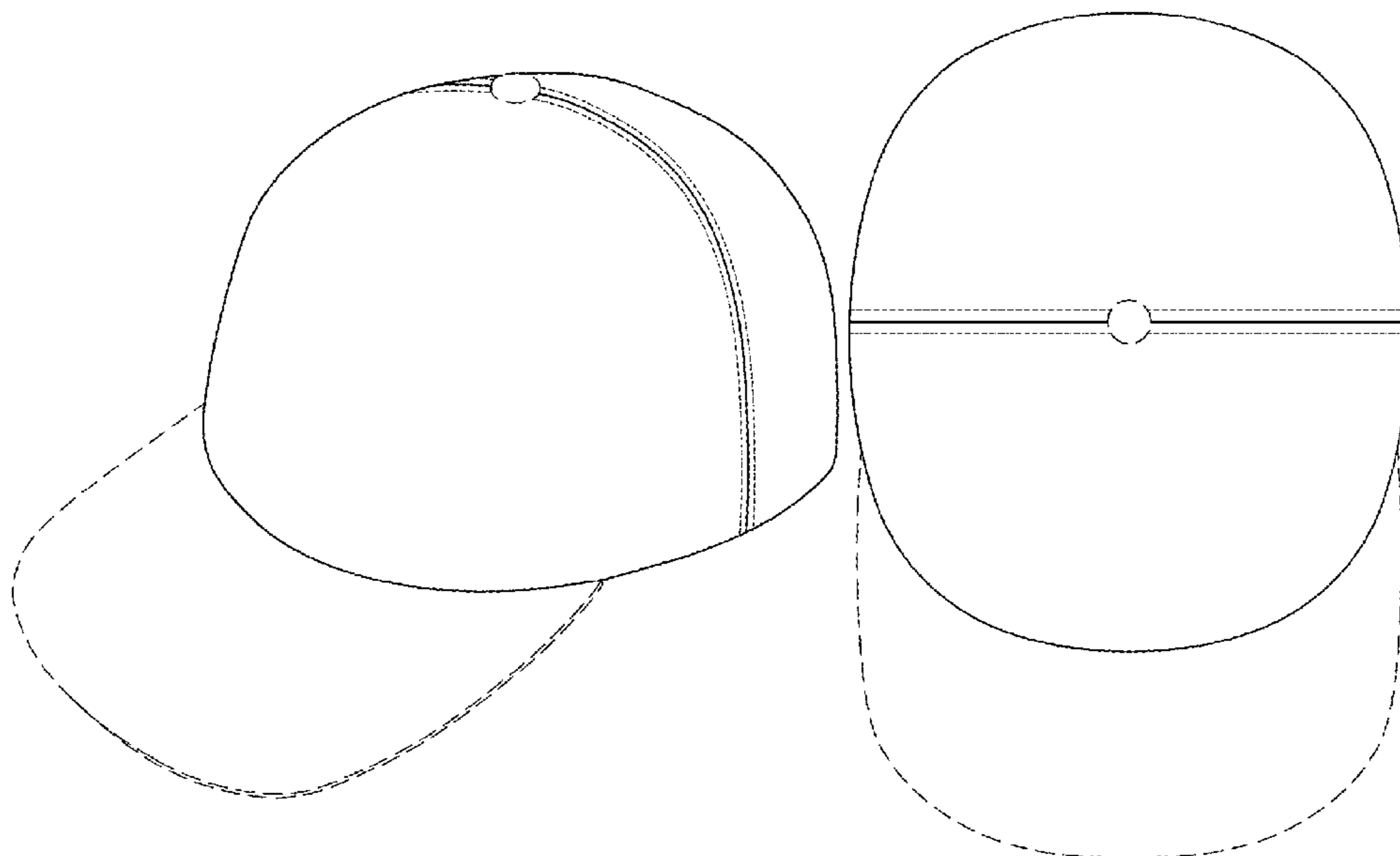


FIG. 1

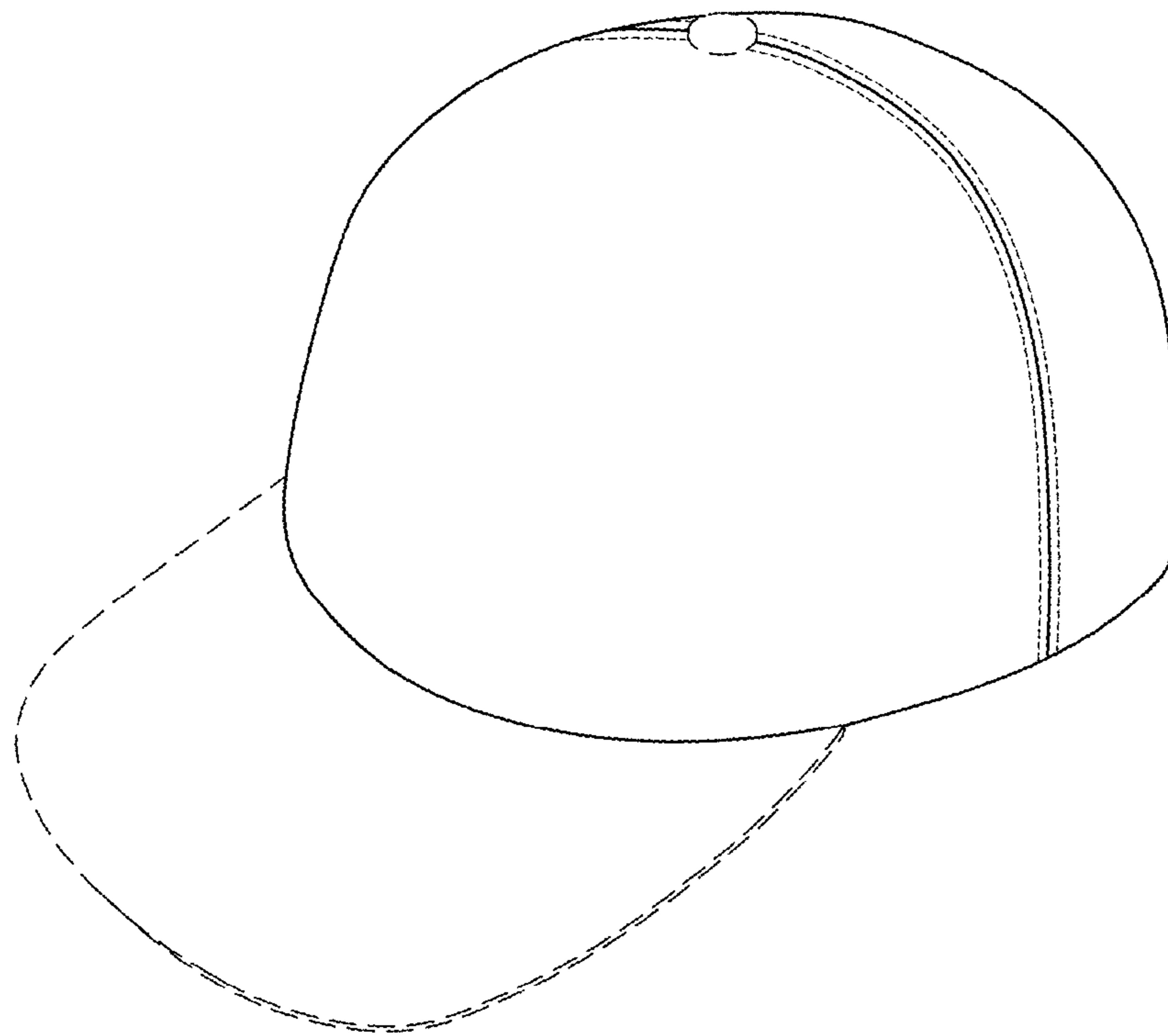


FIG. 2

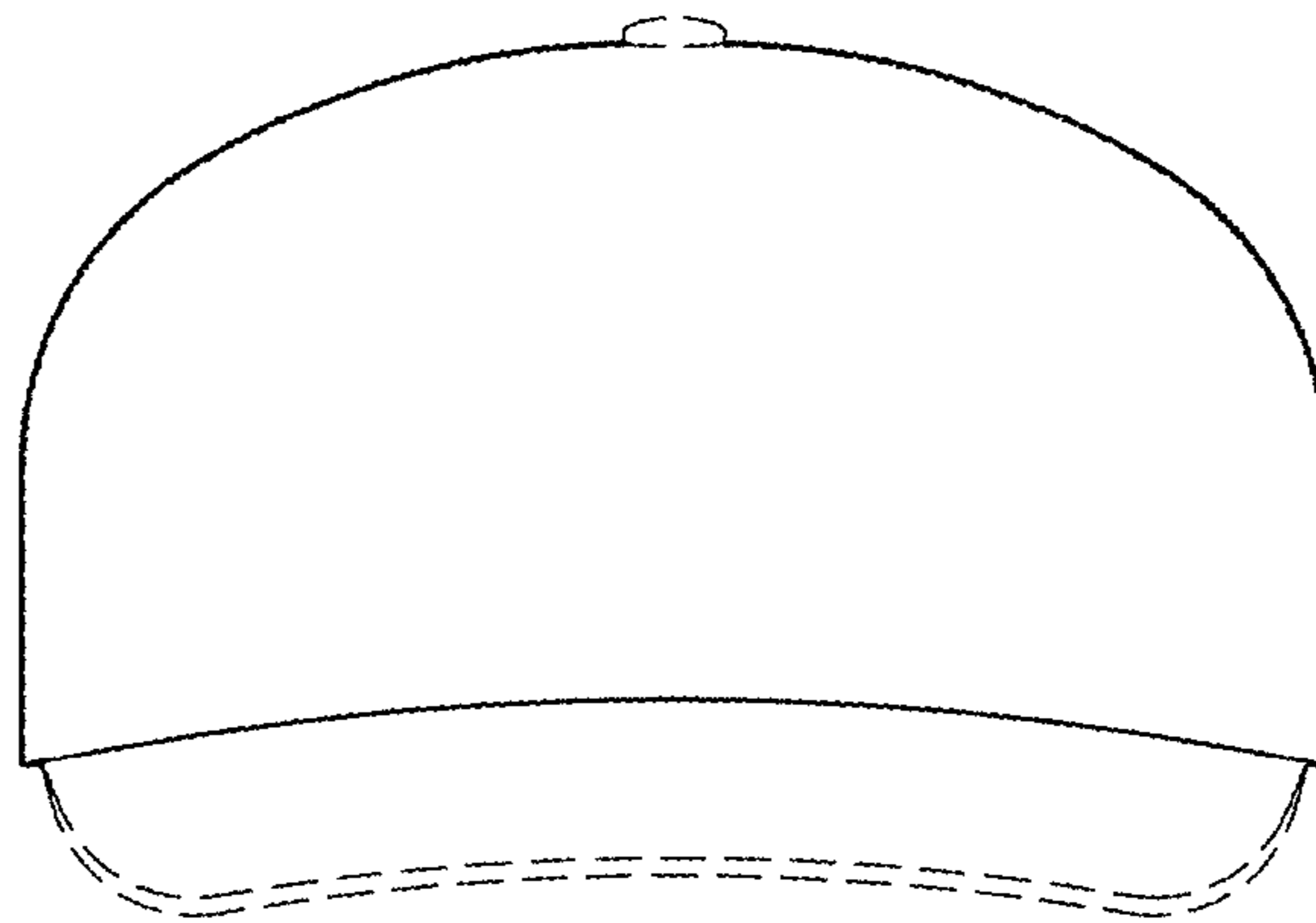


FIG. 3

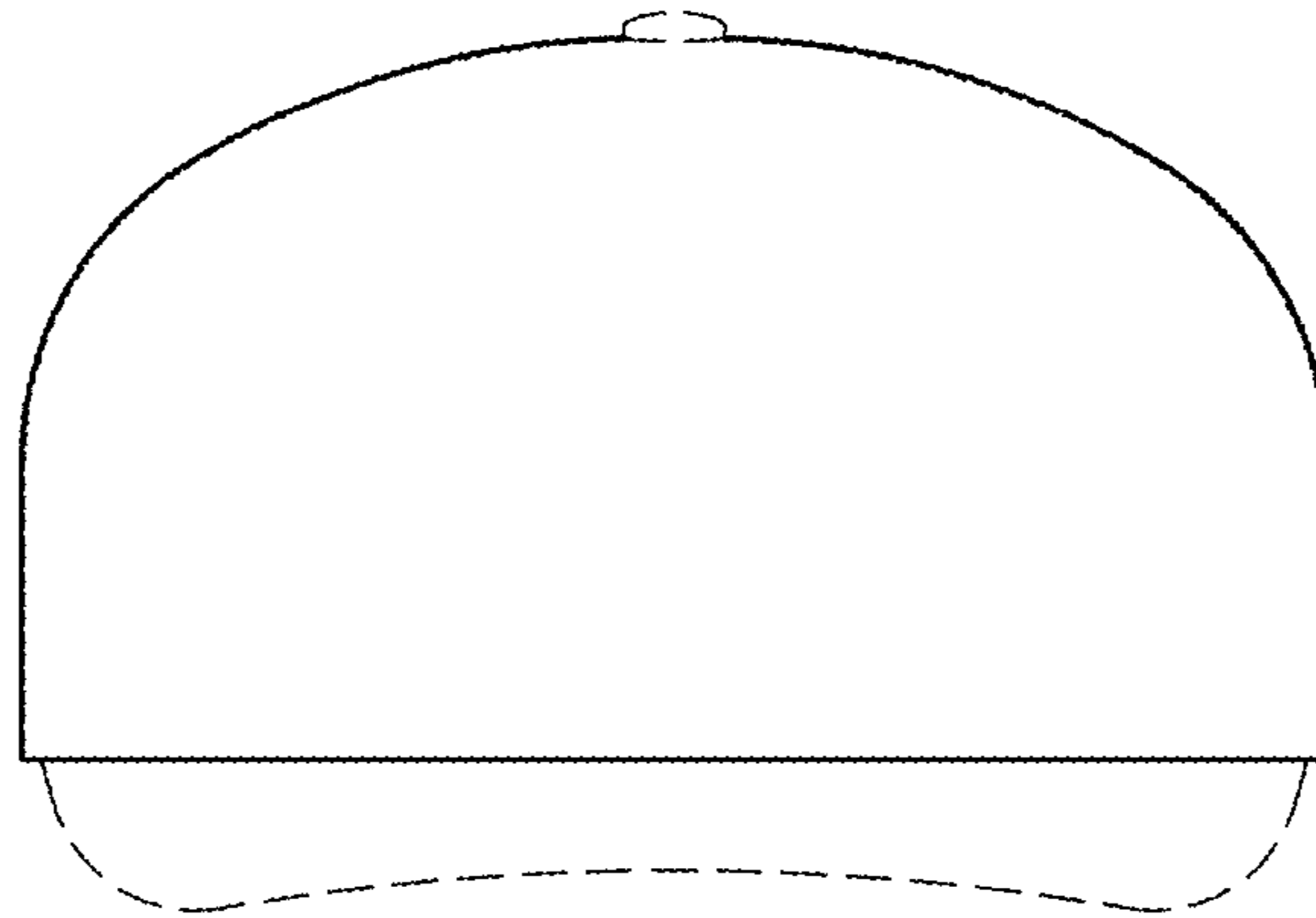


FIG. 4

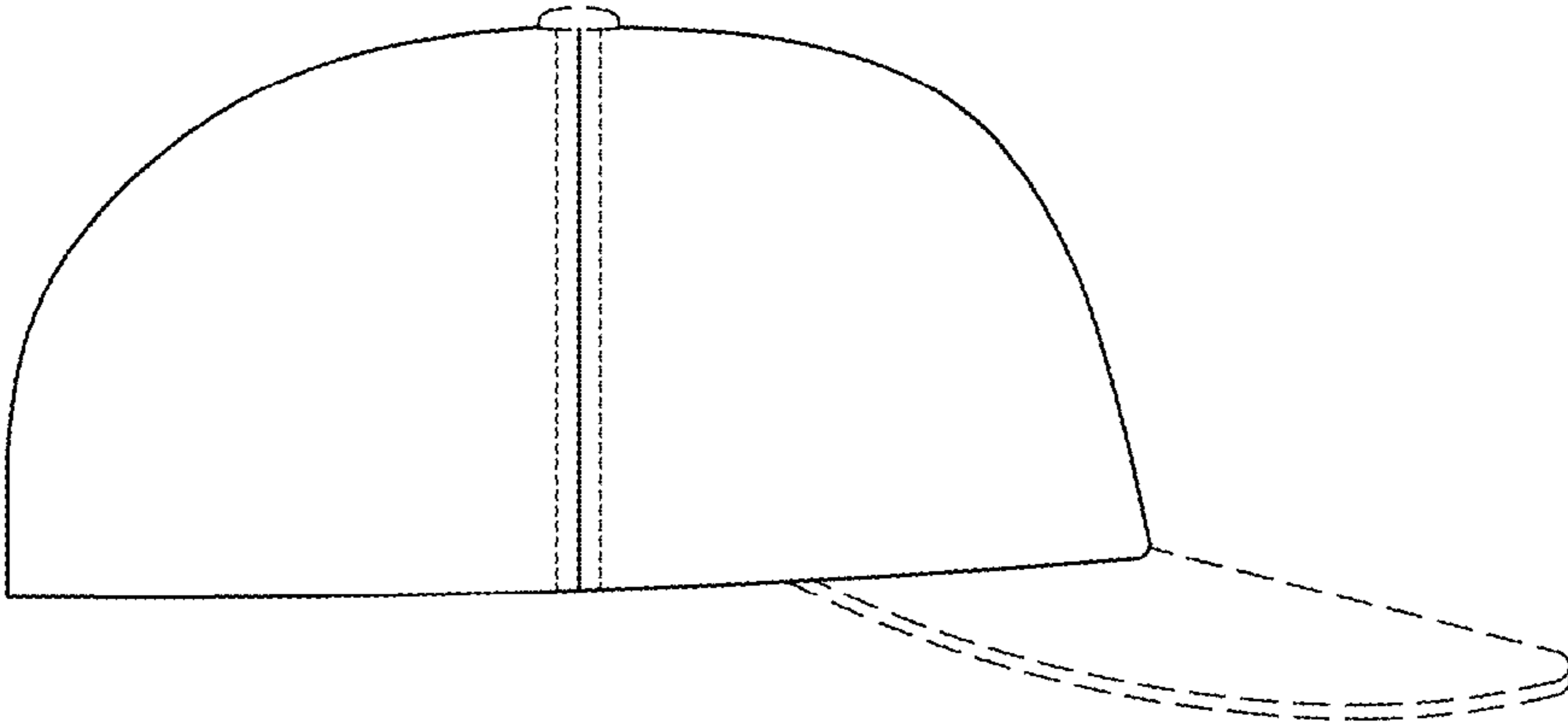


FIG. 5

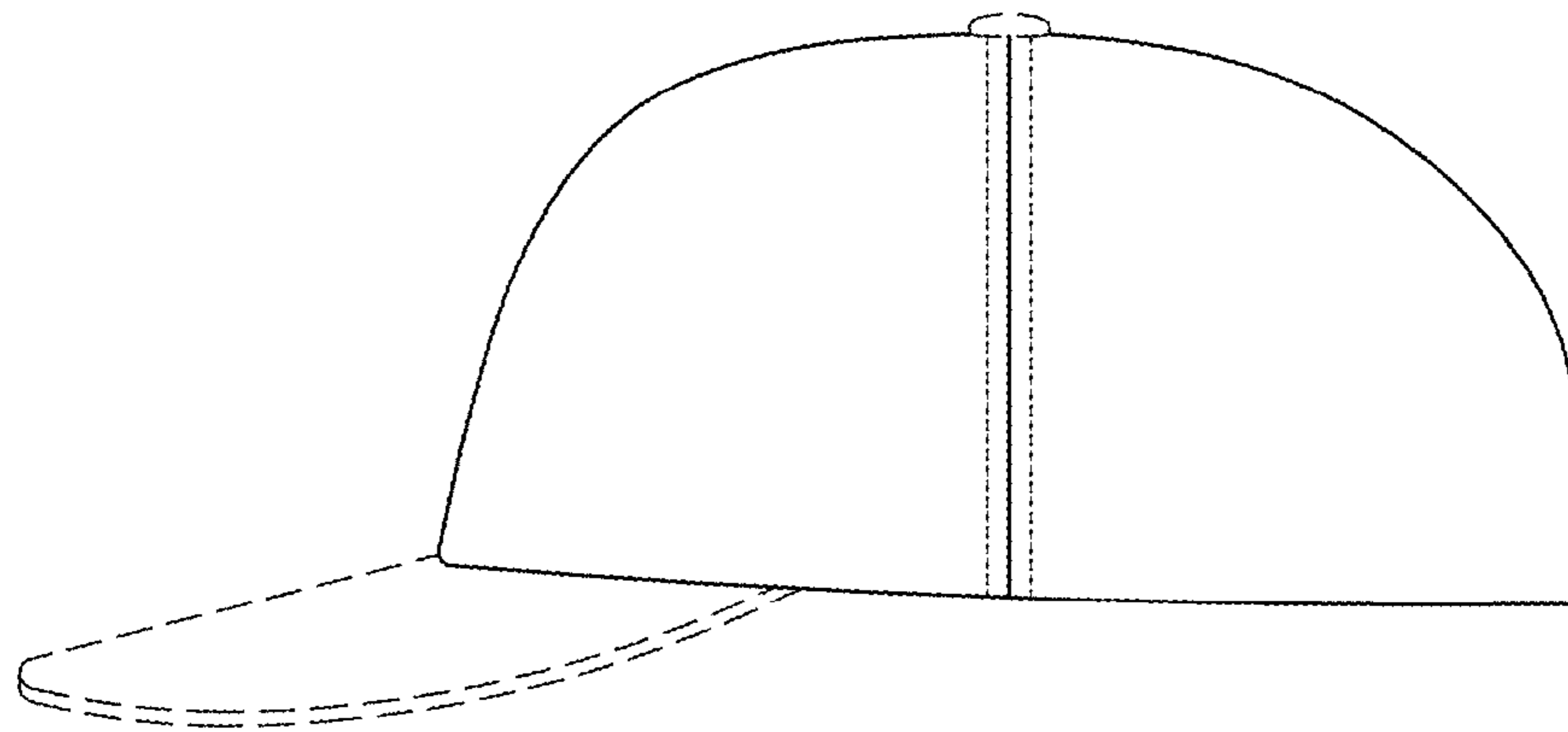


FIG. 6

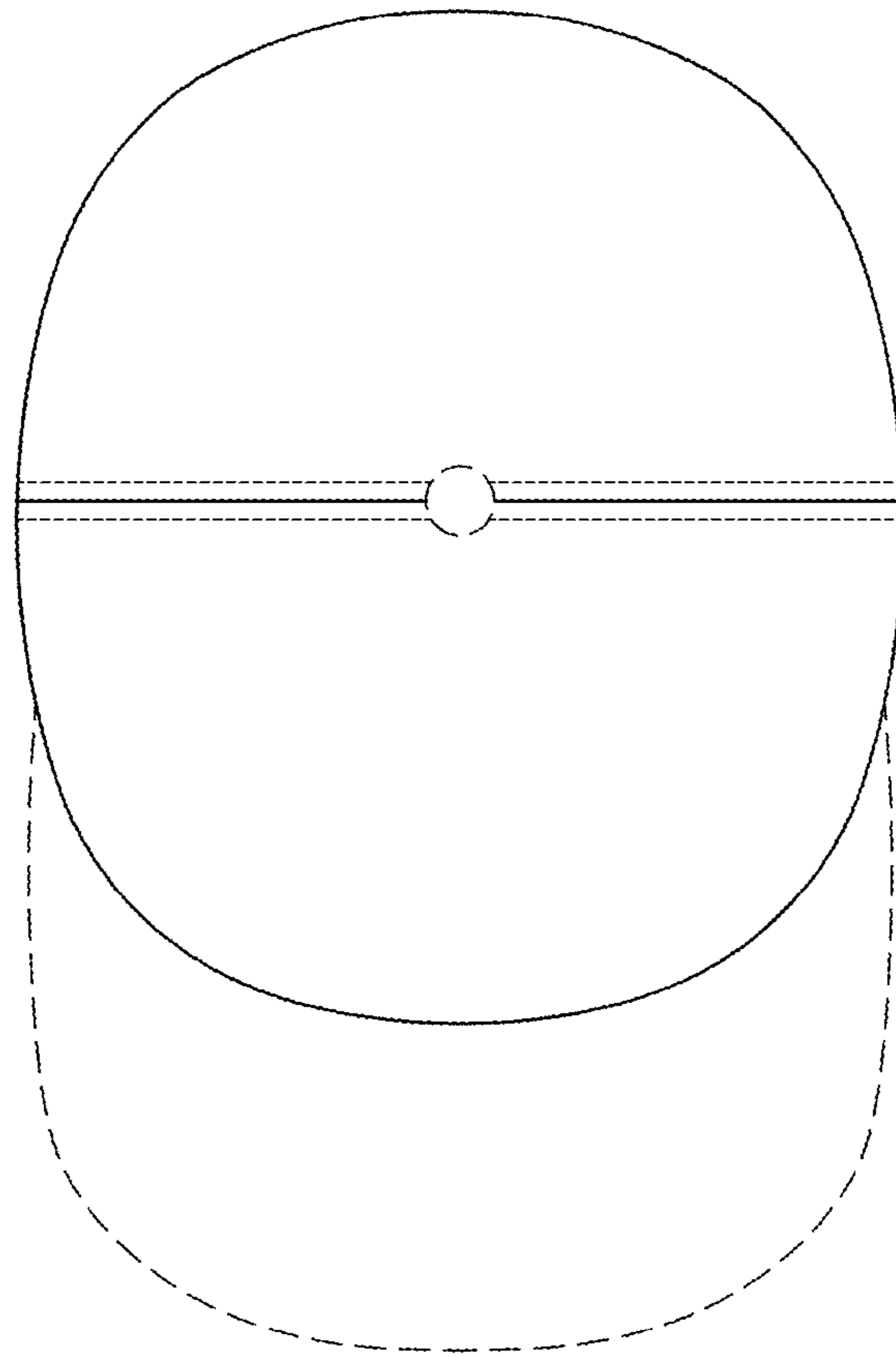


FIG. 7

