

US00D896467S

(12) **United States Design Patent** (10) **Patent No.:** **US D896,467 S**  
**Carlson et al.** (45) **Date of Patent:** **\*\* Sep. 22, 2020**

(54) **SOCK ASSIST DEVICE**  
(71) Applicants: **James Carlson**, Vancouver, WA (US);  
**Kathryn Carlson**, Vancouver, WA (US)  
(72) Inventors: **James Carlson**, Vancouver, WA (US);  
**Kathryn Carlson**, Vancouver, WA (US)

5,826,761 A 10/1998 Basaj  
5,894,970 A 4/1999 Belkin  
5,909,831 A 6/1999 Griffin  
5,927,573 A \* 7/1999 Votino ..... A47G 25/905  
223/111  
6,932,252 B2 8/2005 Simmons  
D679,888 S 4/2013 Sanchez-Garcia  
2003/0230605 A1 \* 12/2003 Simmons ..... A47G 25/908  
223/118  
2009/0272772 A1 \* 11/2009 Sullivan ..... A47G 25/82  
223/112  
2010/0006609 A1 \* 1/2010 McAllister ..... A47G 25/905  
223/111  
2011/0101046 A1 \* 5/2011 Moscato ..... A47G 25/905  
223/112

(\*\*) Term: **15 Years**  
(21) Appl. No.: **29/691,518**

(22) Filed: **May 16, 2019**  
(51) **LOC (12) Cl.** ..... **07-99**  
(52) **U.S. Cl.**  
USPC ..... **D2/641**

(58) **Field of Classification Search**  
USPC ..... D2/641-643, 979, 999; D3/200;  
D20/27; D24/136; D28/91.2; D32/46  
CPC ..... A47G 25/80; A47G 25/82; A47G 25/84;  
A47G 25/86; A47G 25/88; A47G 25/90;  
A47G 25/901; A47G 25/902; A47G  
25/904; A47G 25/905; A47G 25/907;  
A47G 25/908; A47G 25/92  
See application file for complete search history.

\* cited by examiner

*Primary Examiner* — Kevin K Rudzinski  
*Assistant Examiner* — Clare Ann Gannon

(57) **CLAIM**

The ornamental design for a sock assist device, as shown and described.

**DESCRIPTION**

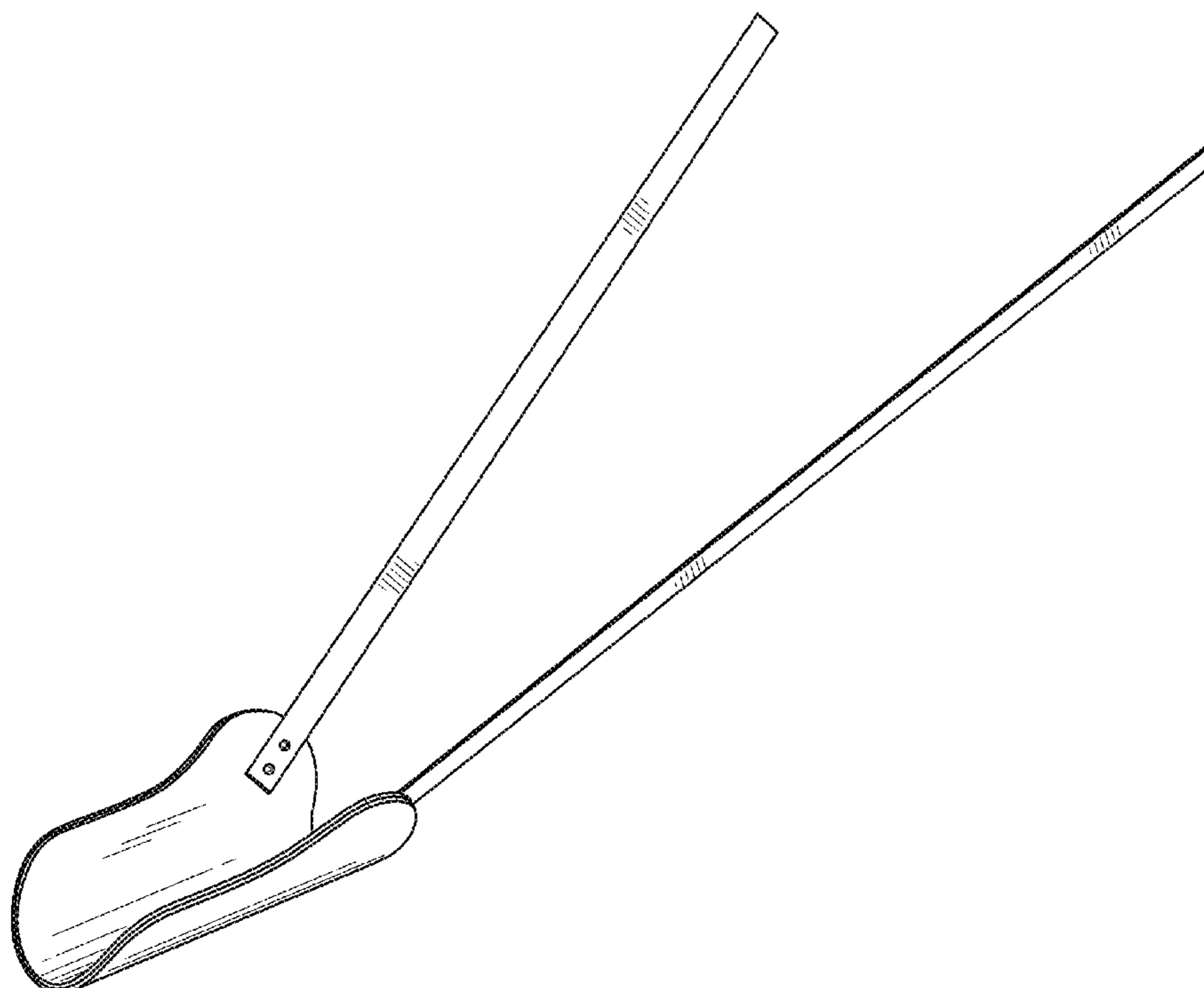
FIG. 1 is a front view of a sock assist device showing my new design;  
FIG. 2 is a rear view of the sock assist device;  
FIG. 3 is a right side view of the sock assist device;  
FIG. 4 is a left side view of the sock assist device;  
FIG. 5 is a top view of the sock assist device;  
FIG. 6 is a bottom view of the sock assist device; and,  
FIG. 7 is a top front side perspective view of the sock assist device.

(56) **References Cited**

U.S. PATENT DOCUMENTS

3,310,209 A 3/1967 Clauss  
3,401,856 A 9/1968 Berlin  
3,452,907 A 7/1969 MacLauchlan  
4,637,533 A \* 1/1987 Black ..... A47G 25/908  
223/112  
4,991,757 A 2/1991 Deakyne  
5,799,844 A 9/1998 James

**1 Claim, 5 Drawing Sheets**



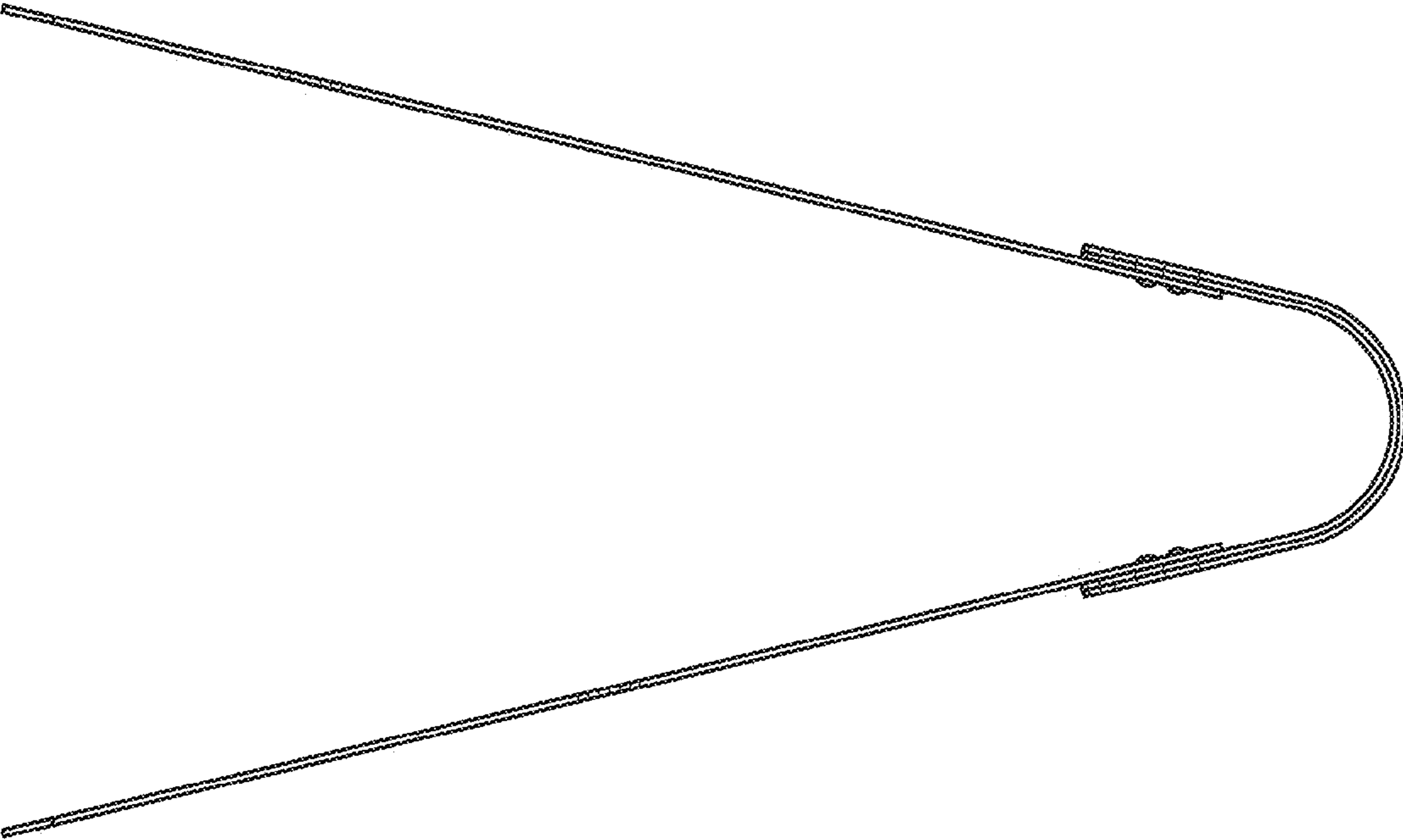


FIG. 1

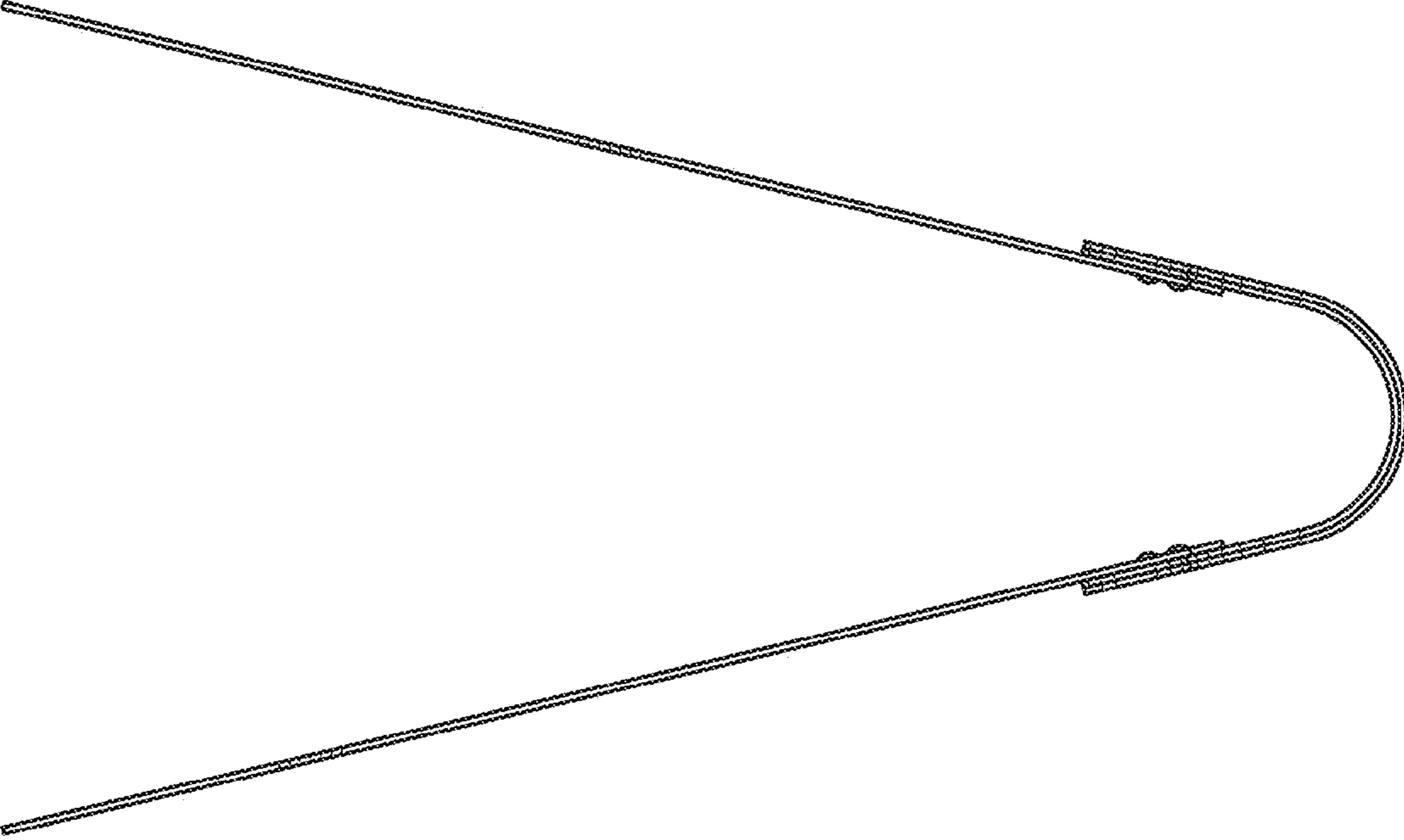


FIG. 2

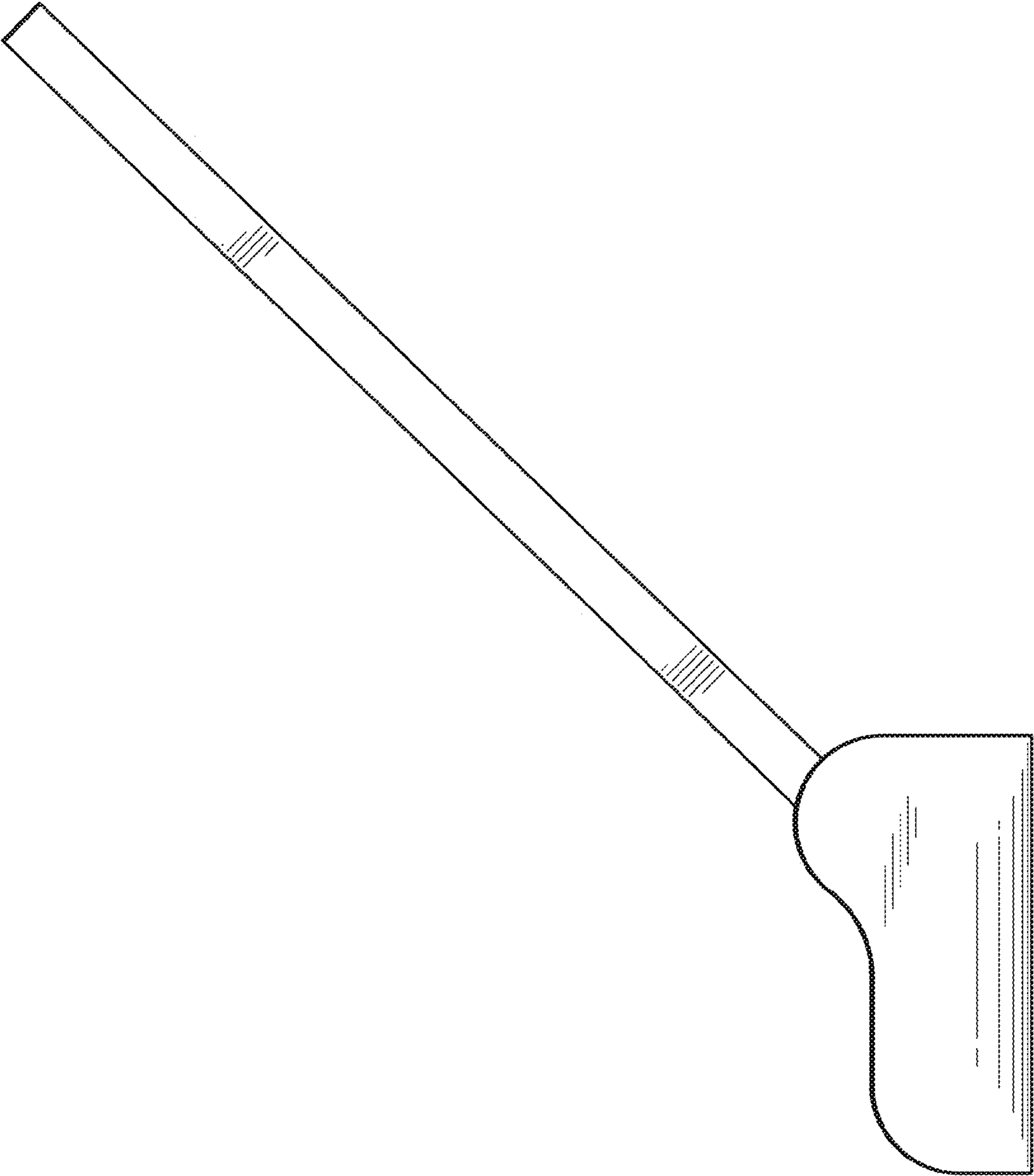


FIG. 3

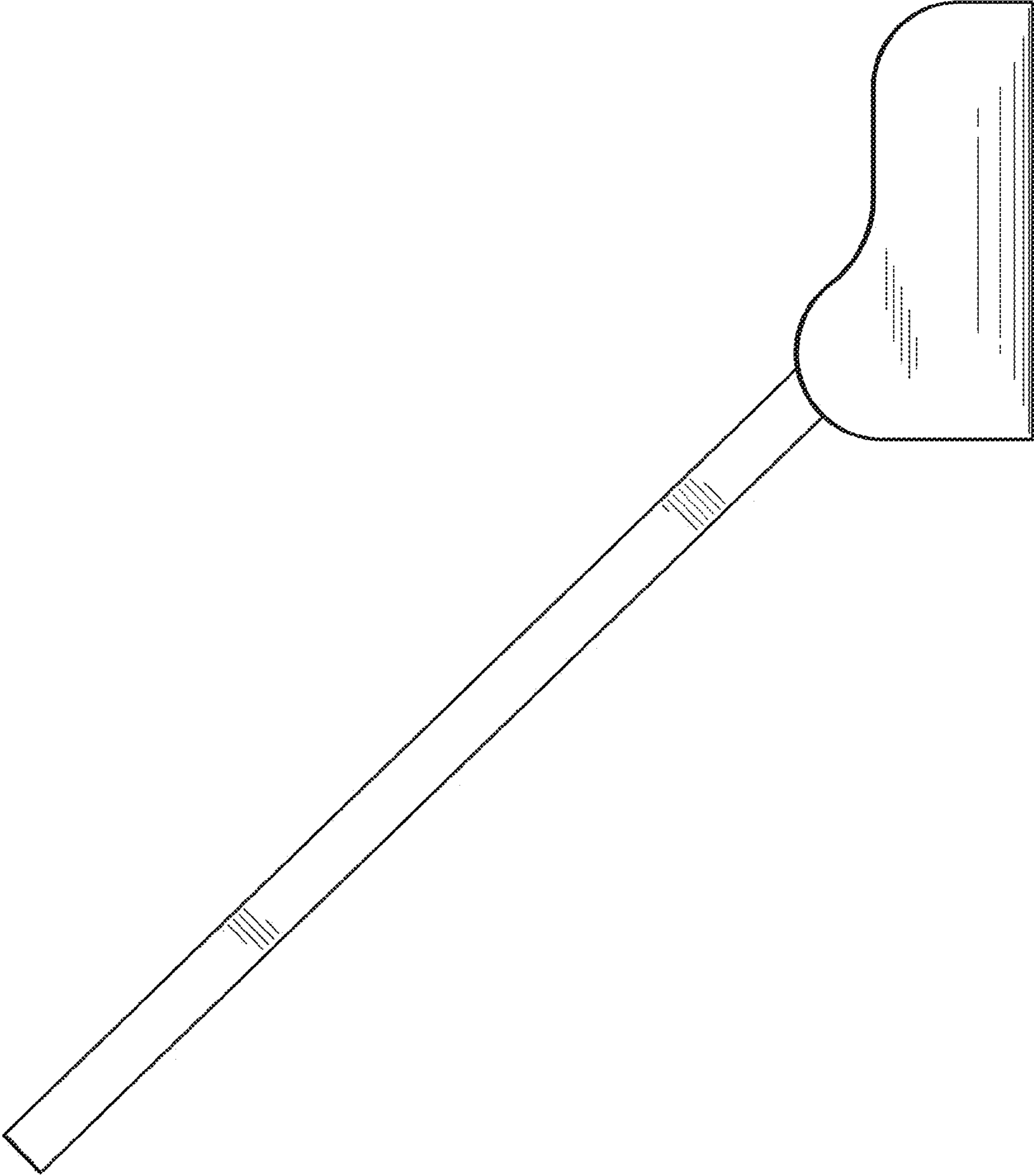


FIG. 4

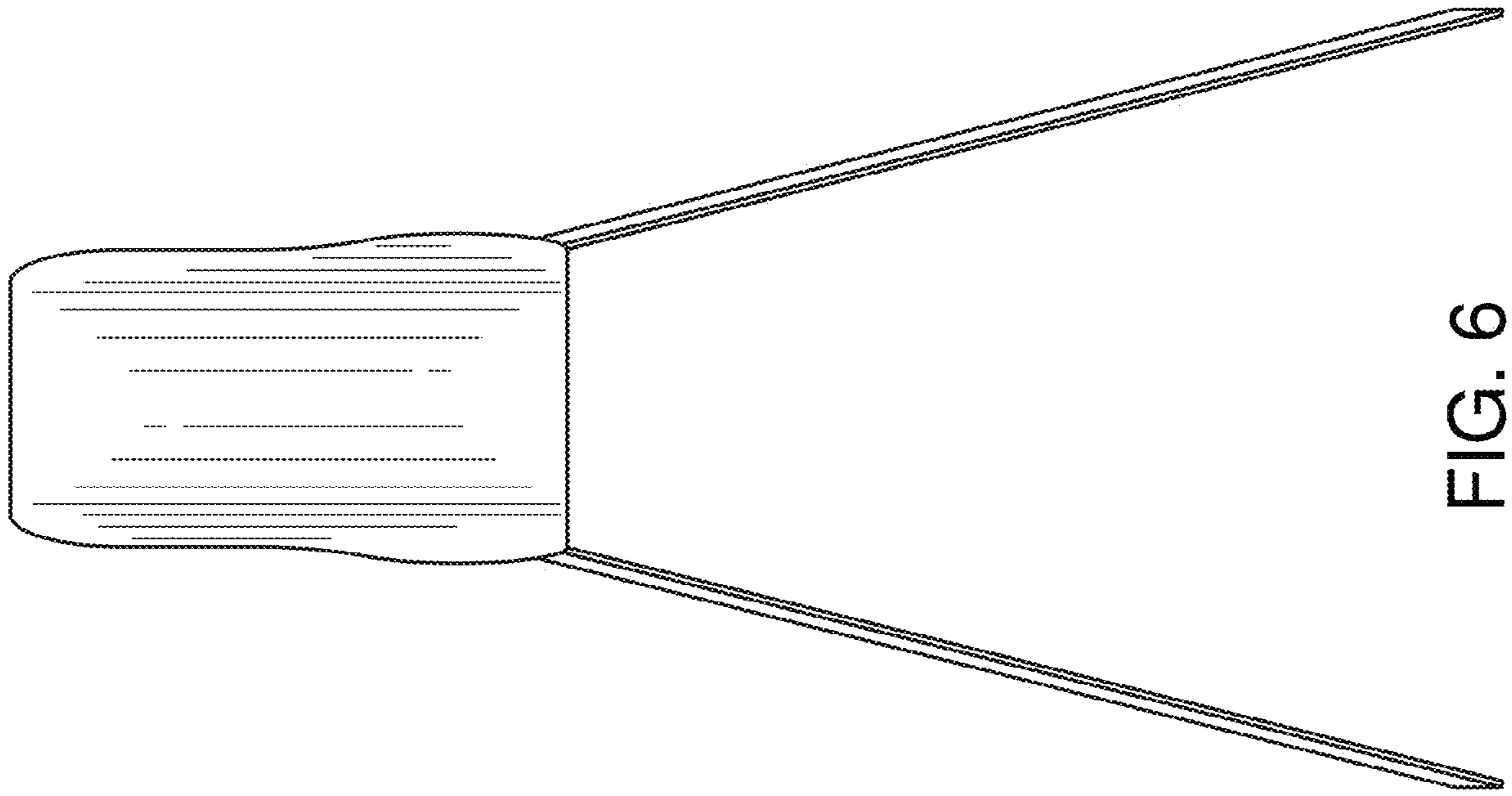


FIG. 6

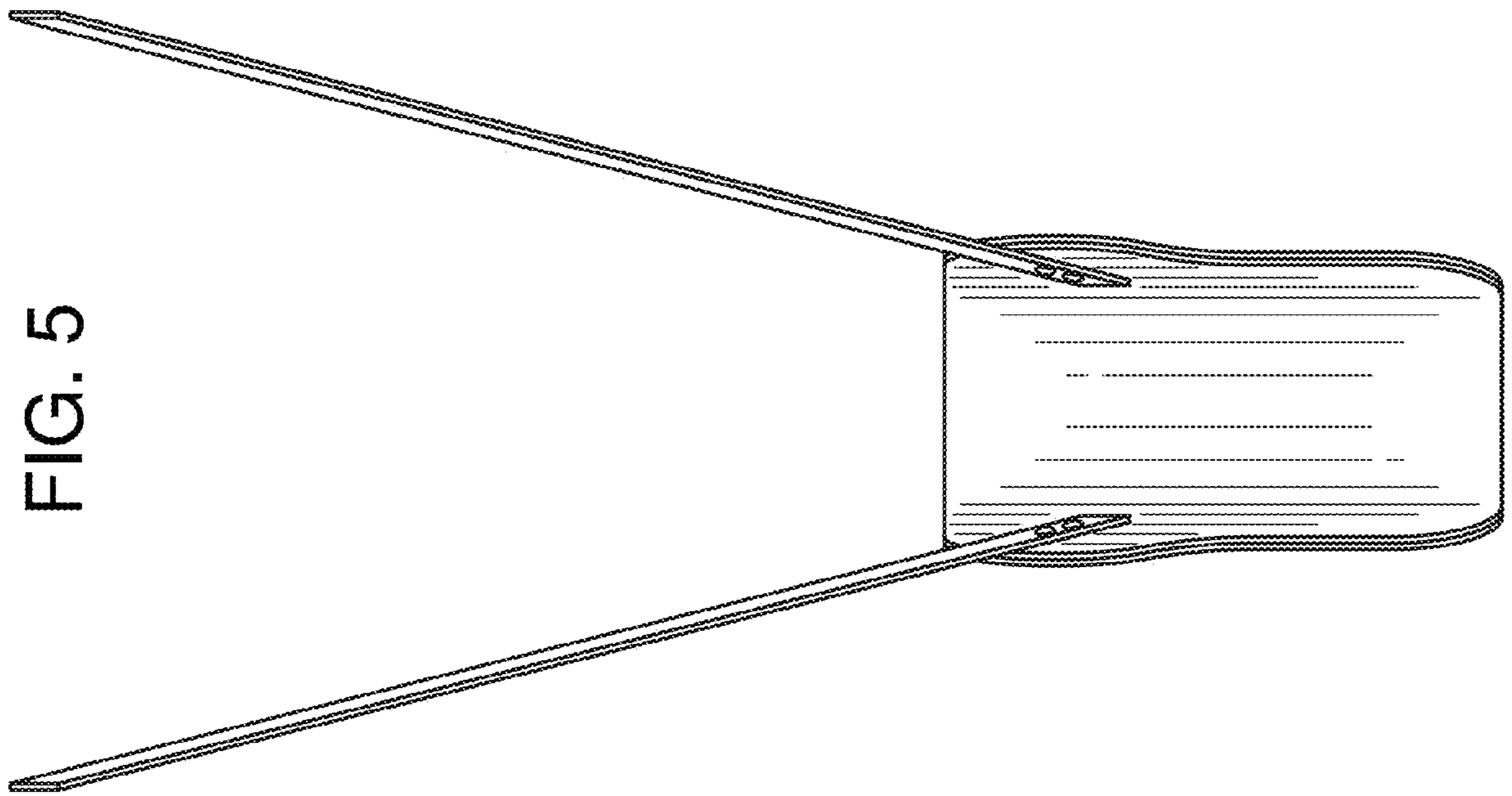


FIG. 5

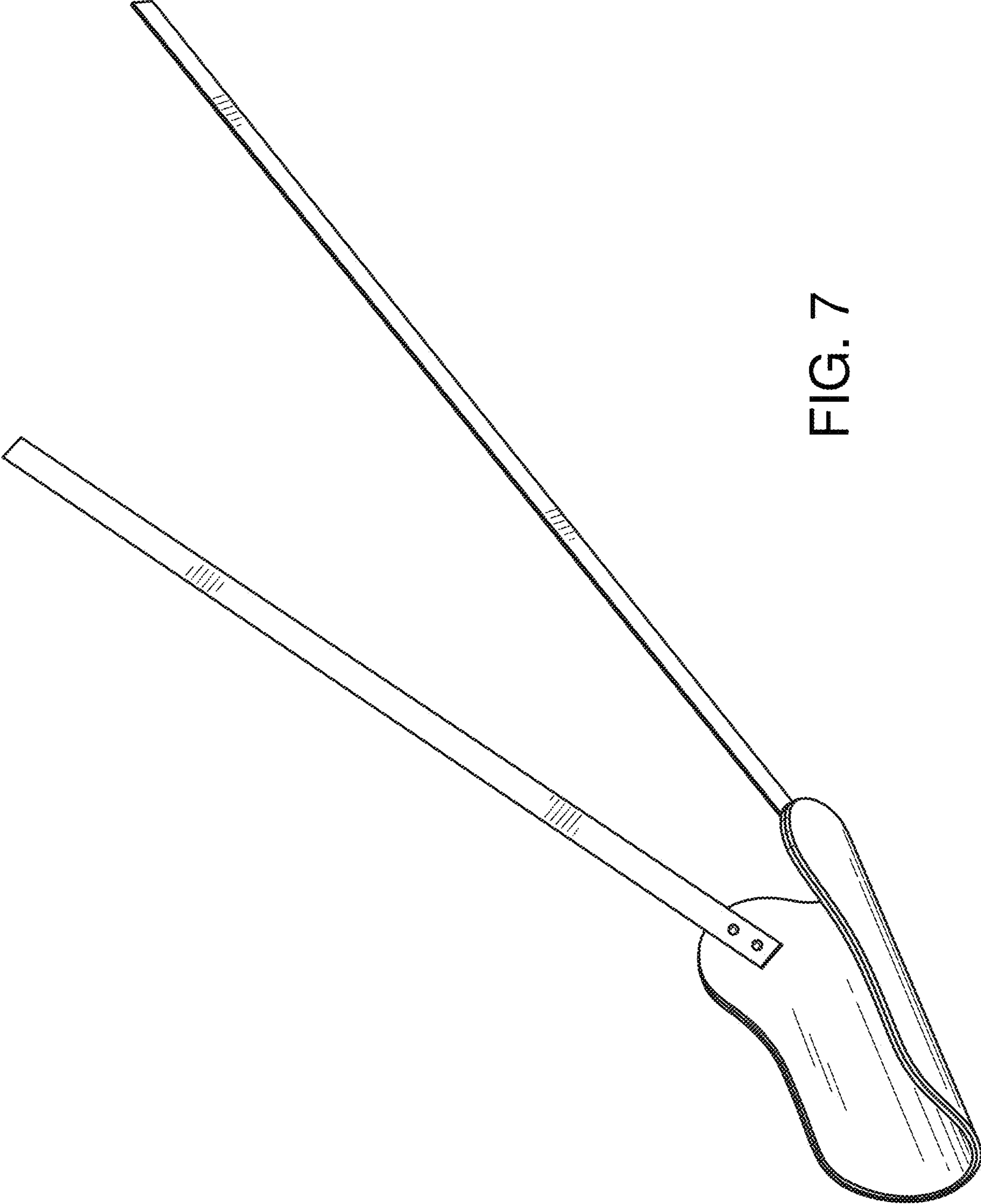


FIG. 7