



US00D896464S

(12) **United States Design Patent**
O'Brien

(10) **Patent No.:** **US D896,464 S**

(45) **Date of Patent:** **** *Sep. 15, 2020**

(54) **NOVELTY MAILBOX**

(71) Applicant: **Mark E O'Brien**, Yadkinville, NC
(US)

(72) Inventor: **Mark E O'Brien**, Yadkinville, NC
(US)

(*) Notice: This patent is subject to a terminal disclaimer.

(**) Term: **15 Years**

(21) Appl. No.: **29/594,941**

(22) Filed: **Feb. 23, 2017**

(51) **LOC (12) Cl.** **99-00**

(52) **U.S. Cl.**
USPC **D99/30**

(58) **Field of Classification Search**
USPC D99/28, 29, 30, 31, 32, 43, 42, 99;
D9/672, 675; D12/400; D13/112, 113,
D13/184
CPC A47G 29/12; A47G 29/1201; A47G
29/1203; A47G 29/1205; A47G 29/1207;
A47G 29/1209; A47G 29/00
See application file for complete search history.

(56) **References Cited**

U.S. PATENT DOCUMENTS

D439,723 S * 3/2001 Avery D99/30
6,909,211 B2 * 6/2005 Ciciliani H02K 9/04
310/216.045
D510,785 S * 10/2005 King D99/30
D578,063 S * 10/2008 Lannoch D13/112

D622,215 S * 8/2010 Heimbruch D13/112
D634,093 S * 3/2011 Wagner D99/30
D758,310 S * 6/2016 Veeh D13/112
D762,574 S * 8/2016 Grillenberger D13/112
D813,165 S * 3/2018 Grillenberger D13/112
D817,877 S * 5/2018 Grillenberger D13/112
D826,277 S * 8/2018 Scott D15/1

* cited by examiner

Primary Examiner — Elizabeth J Oswecki

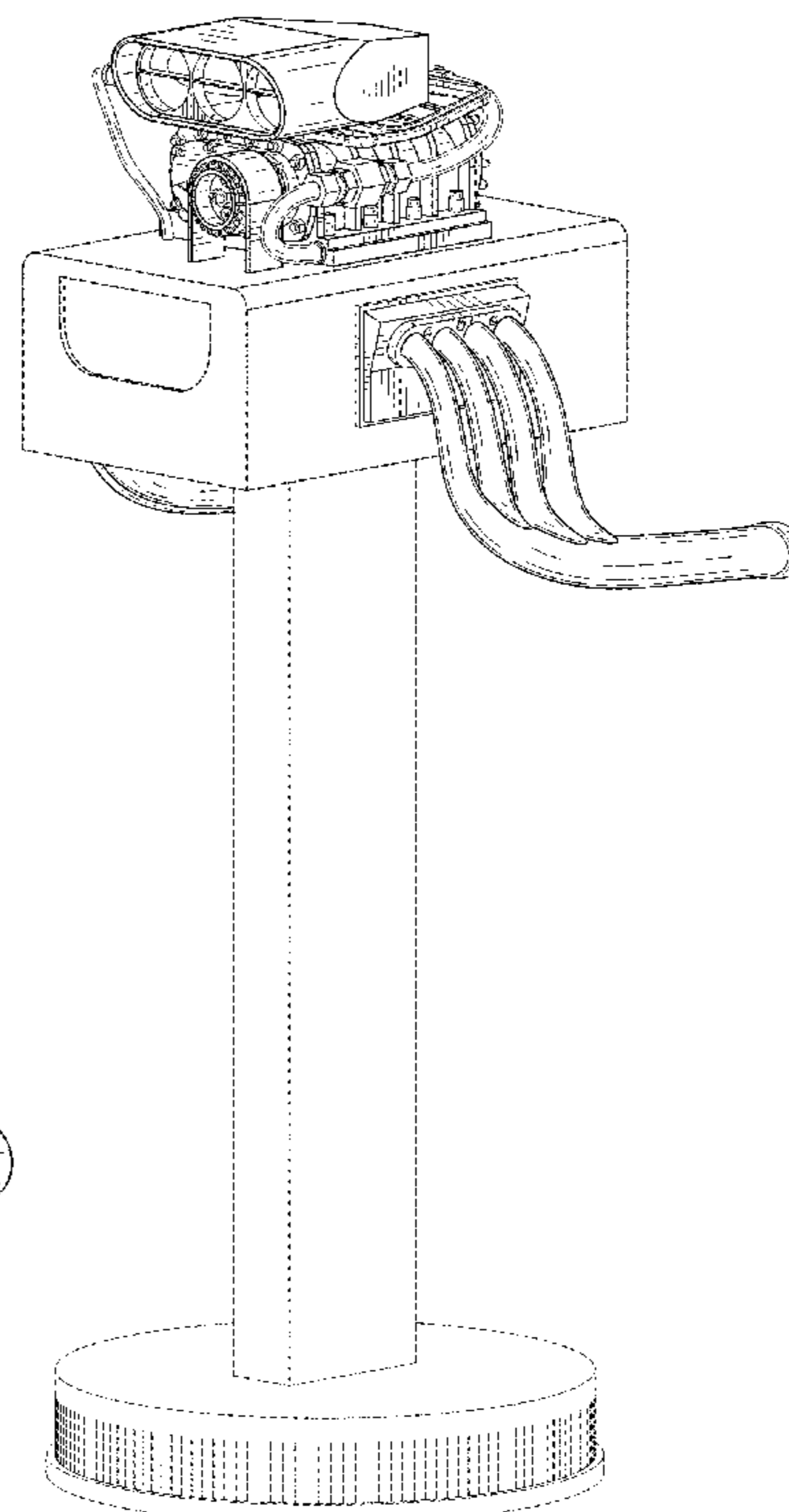
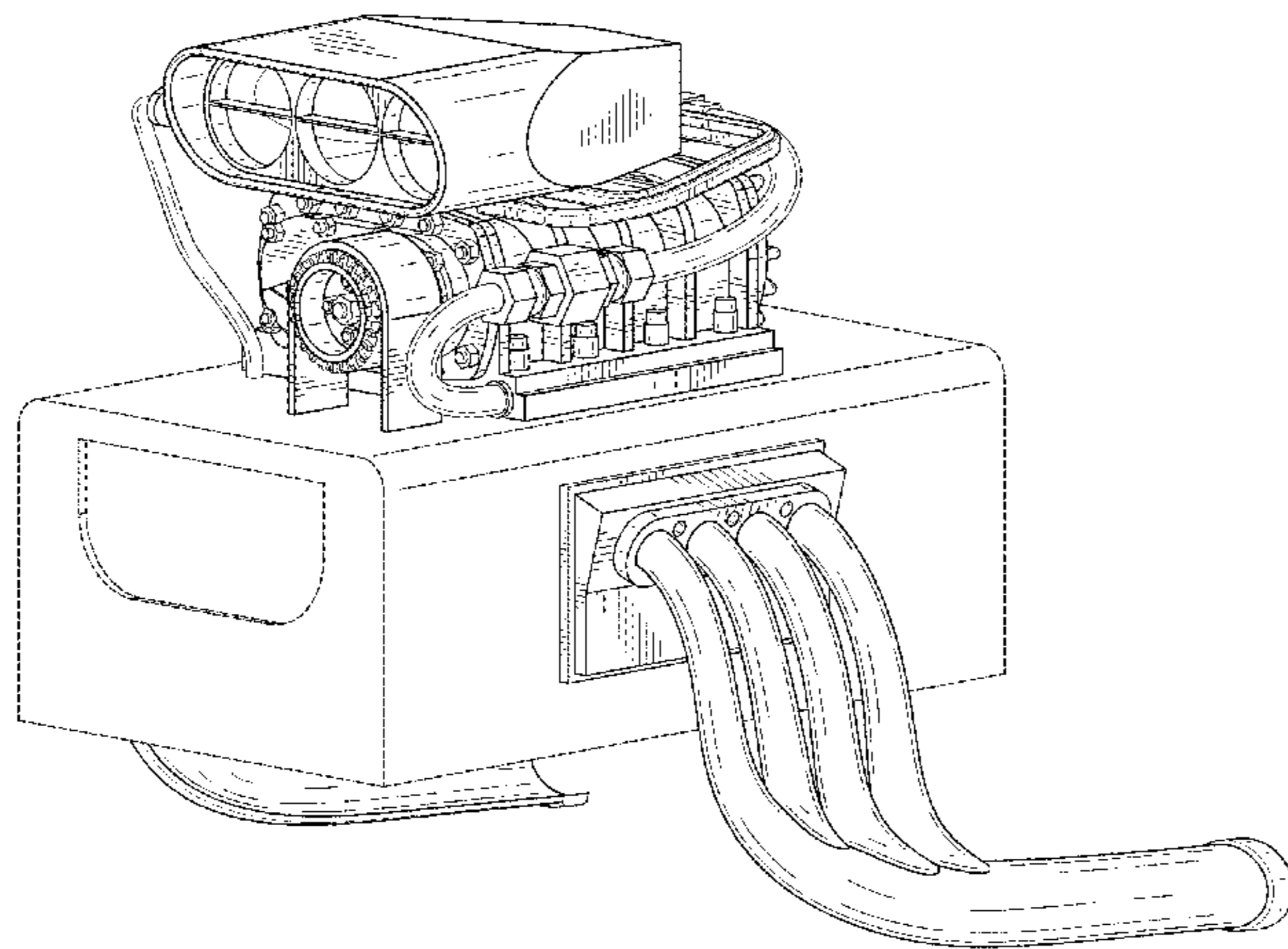
(57) **CLAIM**

The ornamental design for a novelty mailbox, as shown and described.

DESCRIPTION

FIG. 1 is a front, side isometric view of a novelty mailbox showing my new design;
FIG. 2 is a front, bottom isometric view thereof;
FIG. 3 is a back, side isometric view thereof;
FIG. 4 is a back, bottom isometric view thereof;
FIG. 5 is a front view thereof;
FIG. 6 is a back view thereof;
FIG. 7 is a right side view thereof;
FIG. 8 is a left side view thereof;
FIG. 9 is a top view thereof;
FIG. 10 is a bottom view thereof; and,
FIG. 11 is a front, side isometric view thereof, shown in a used condition attached to a stand in broken lines.
The broken lines shown in the drawings represent portions of the novelty mailbox that form no part of the claimed design.

1 Claim, 11 Drawing Sheets



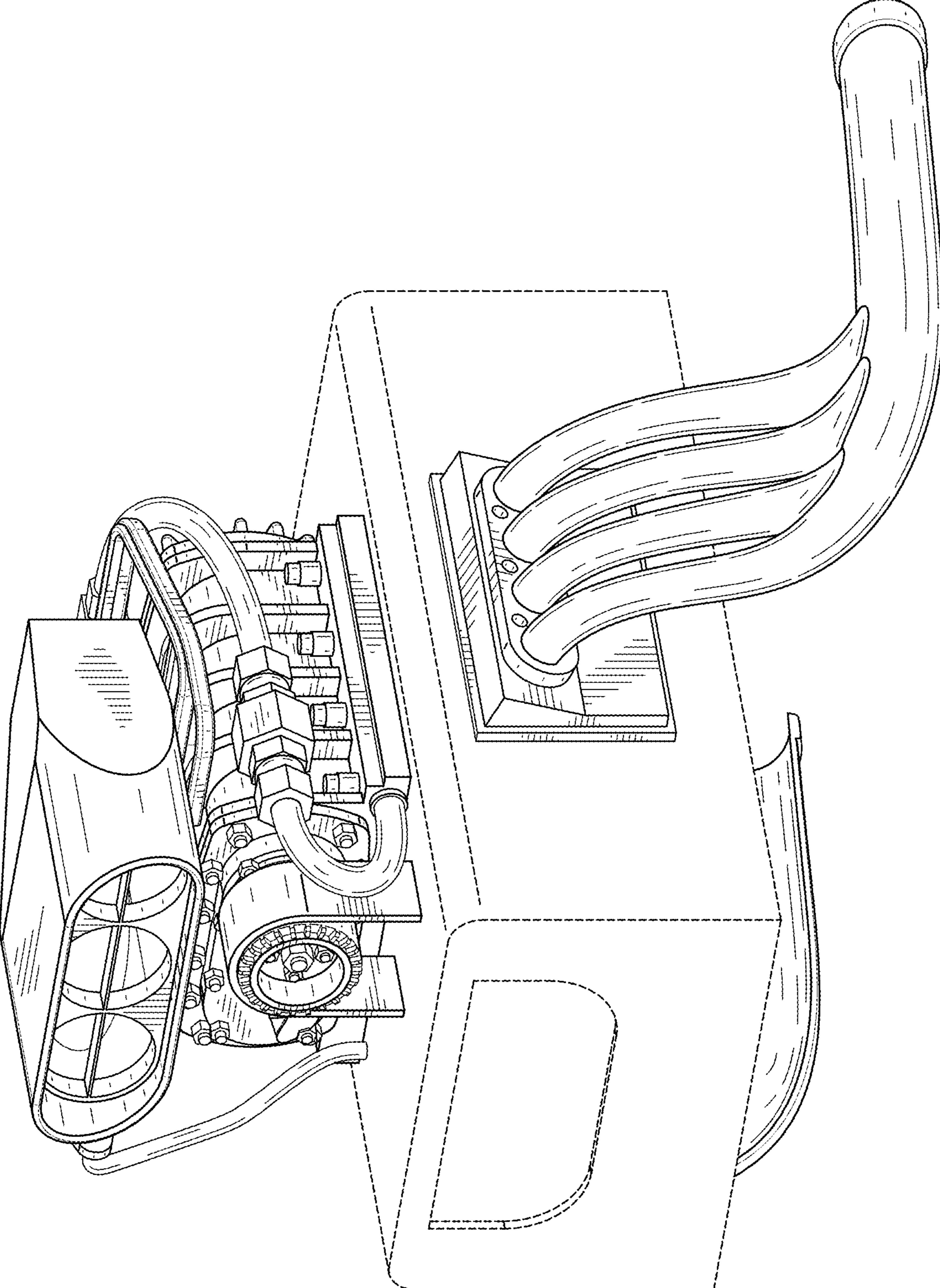


FIG. 1

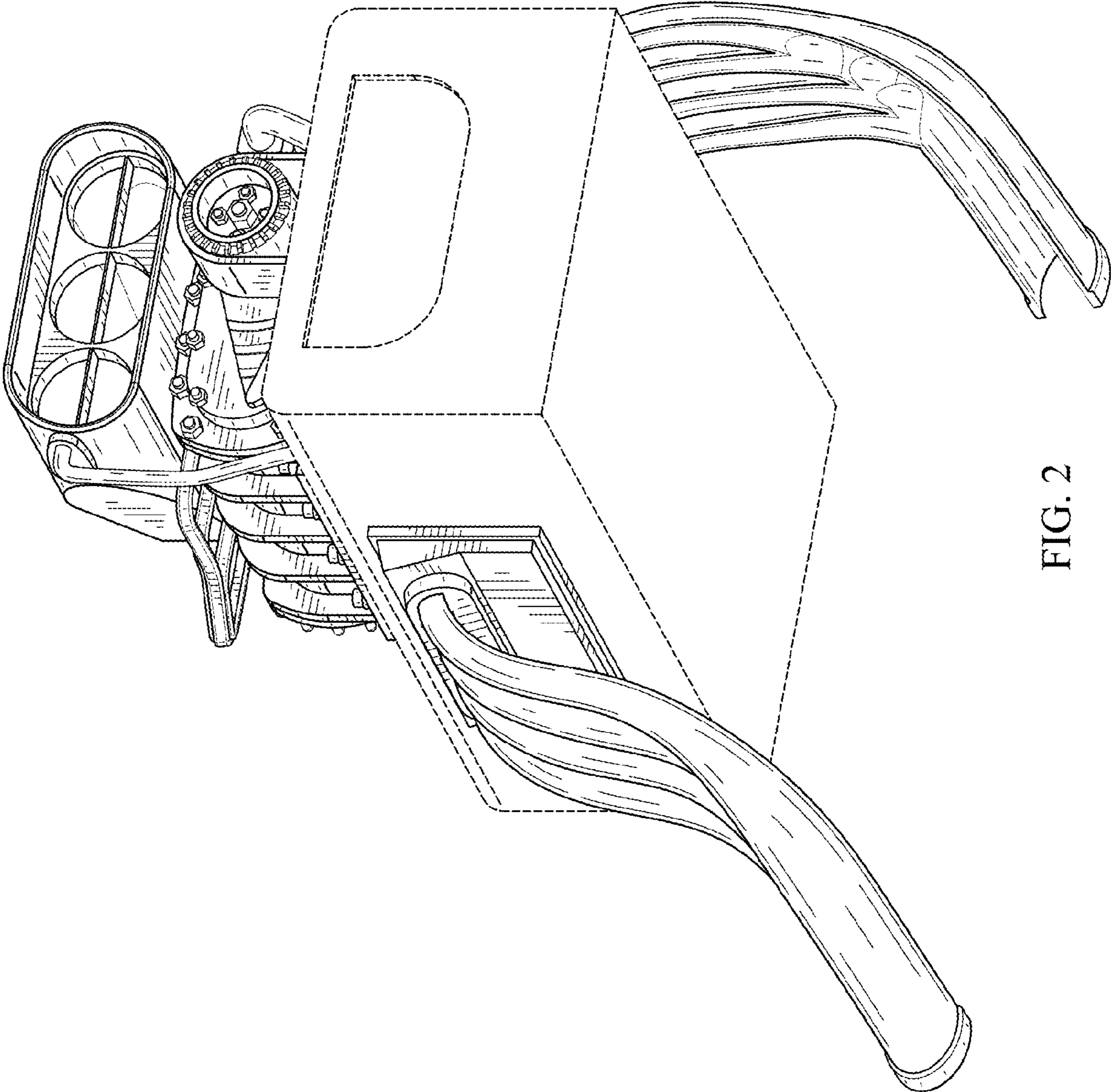


FIG. 2

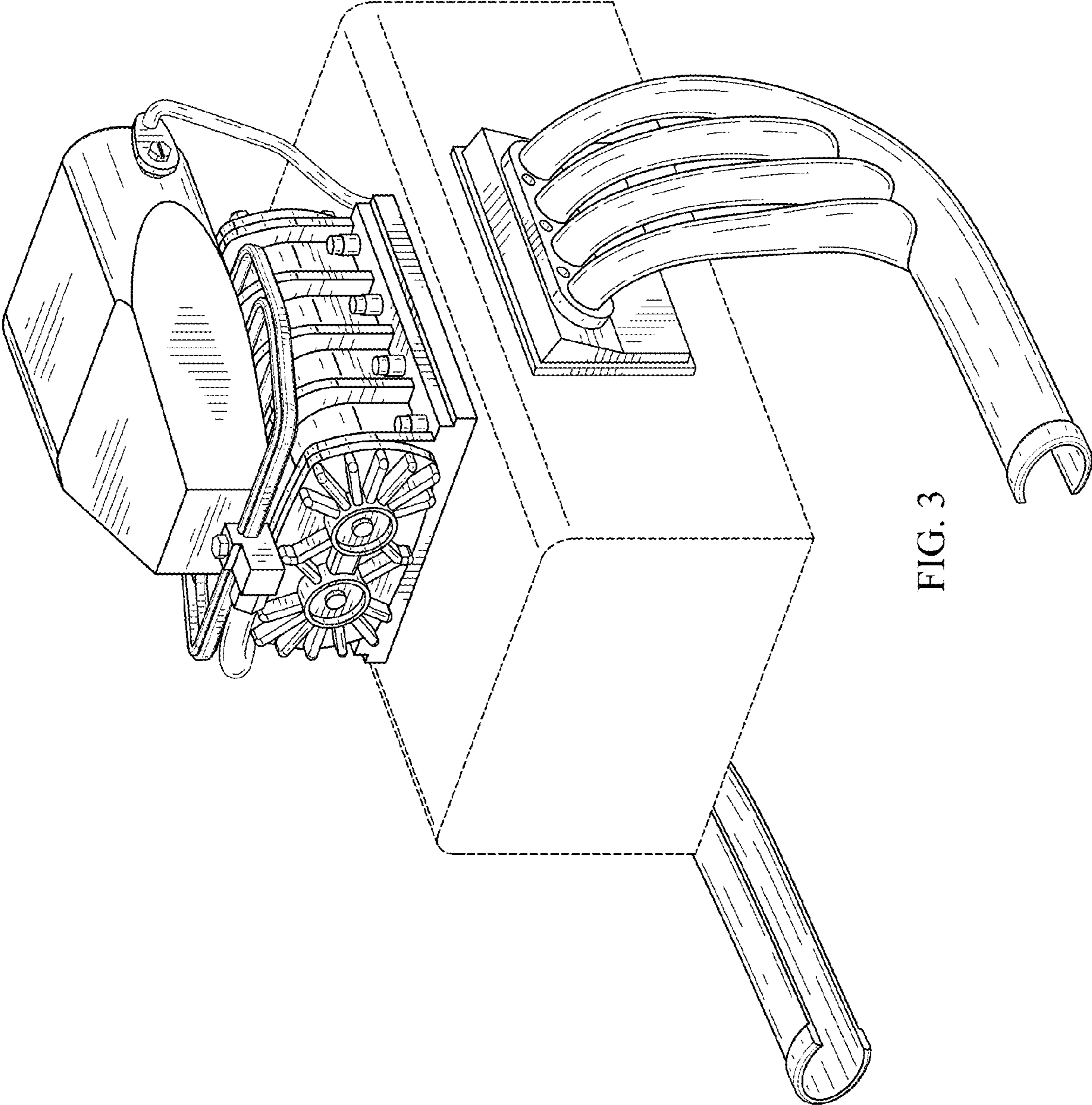


FIG. 3

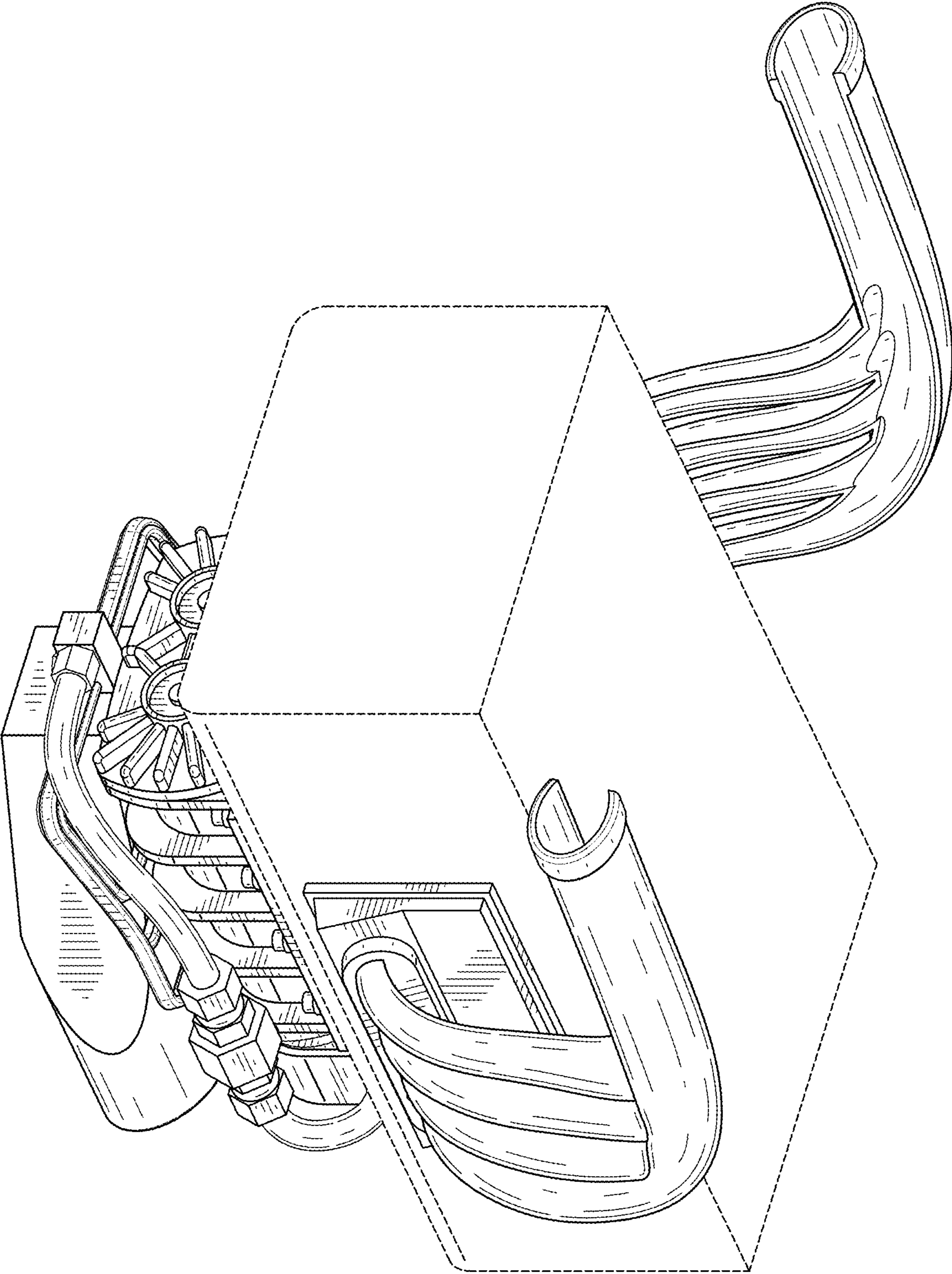


FIG. 4

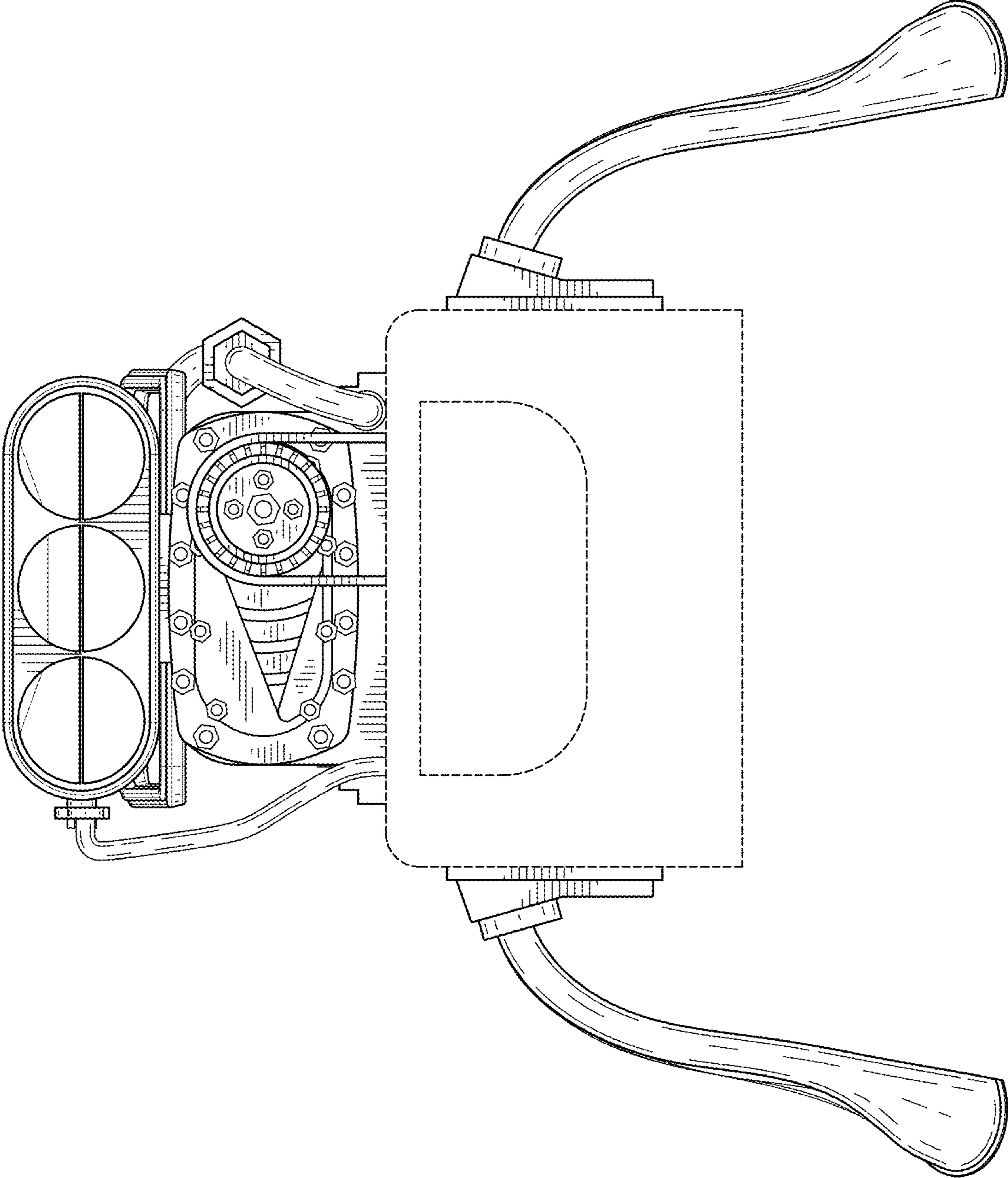


FIG. 5

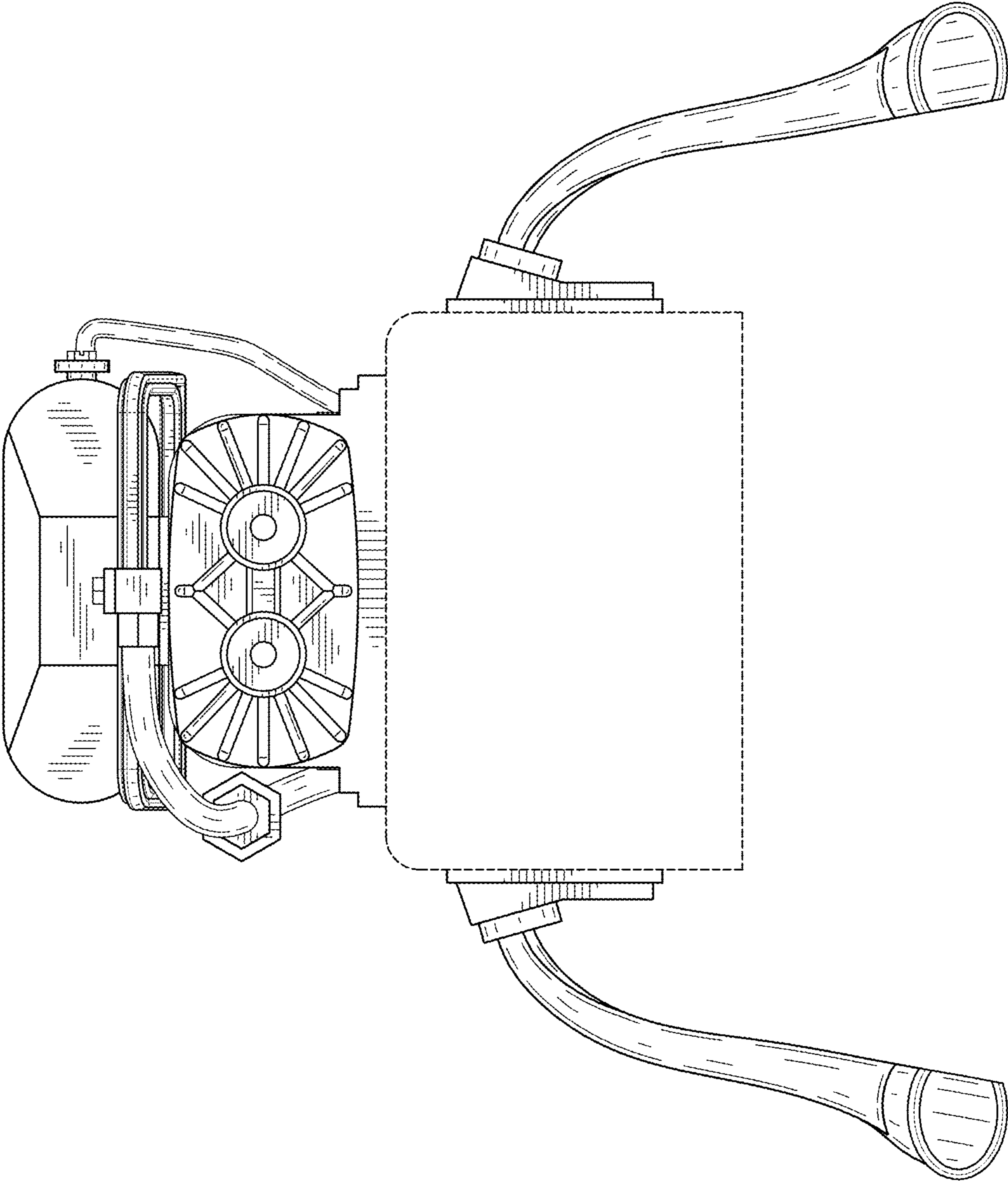


FIG. 6

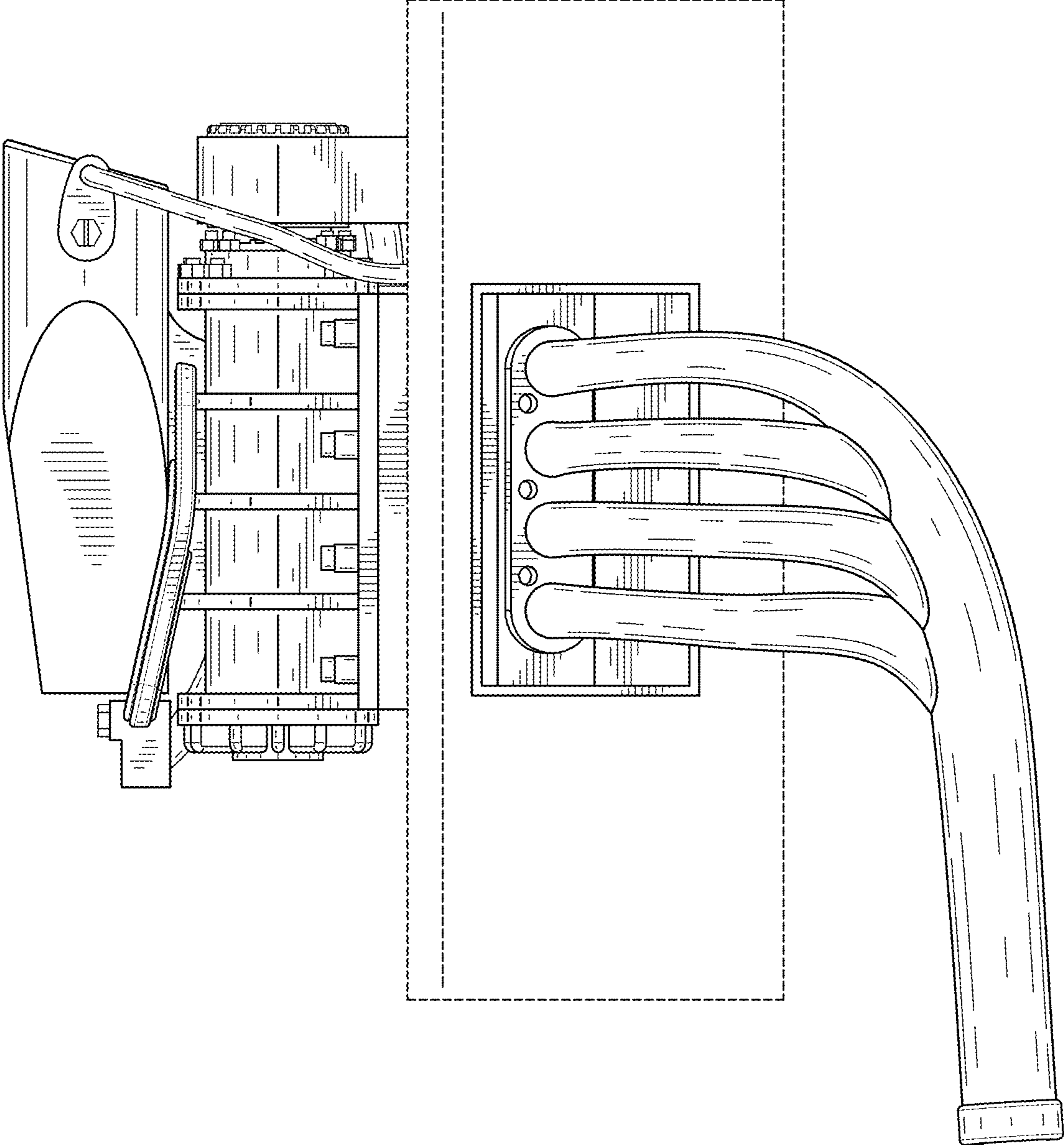


FIG. 7

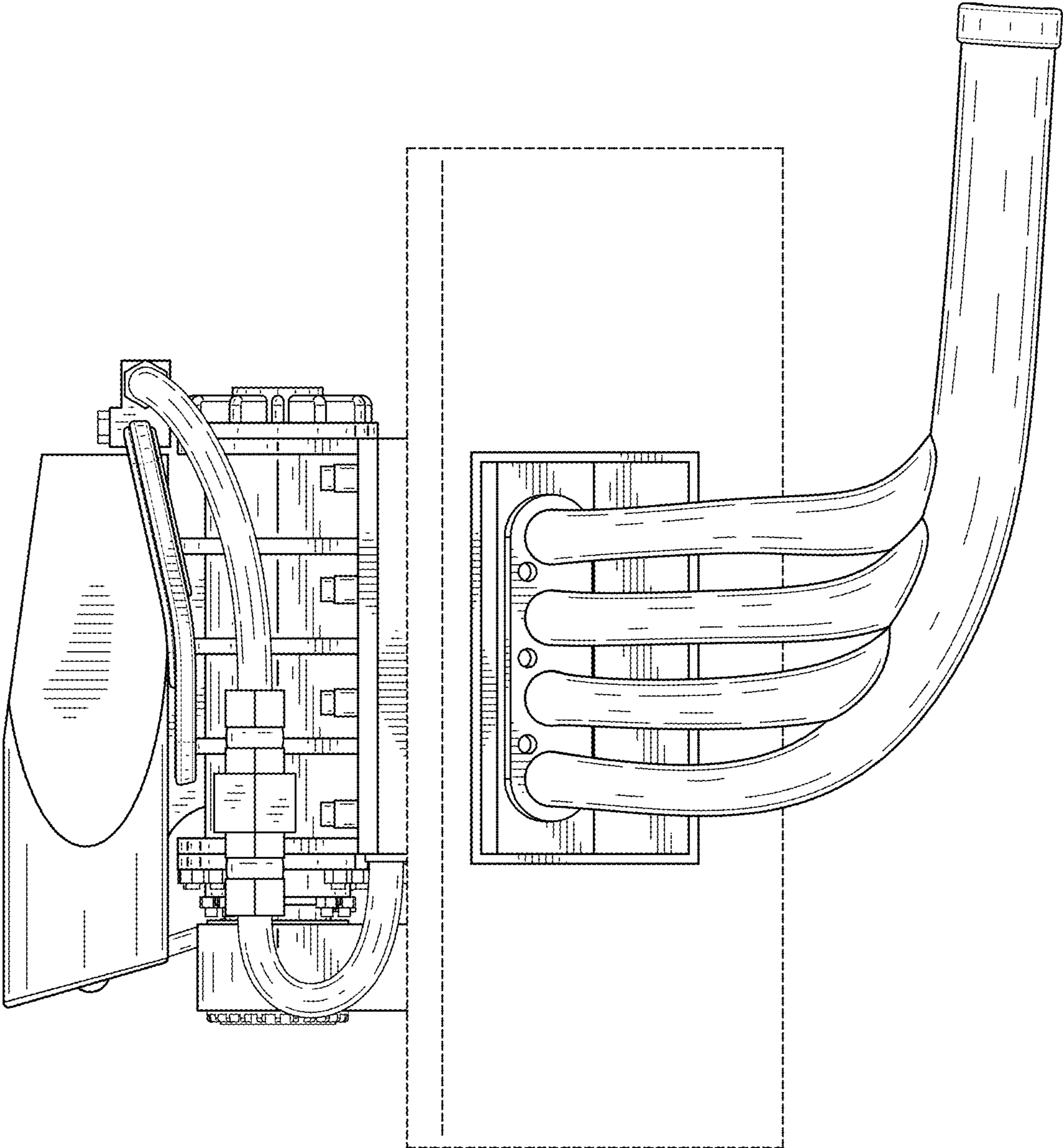


FIG. 8

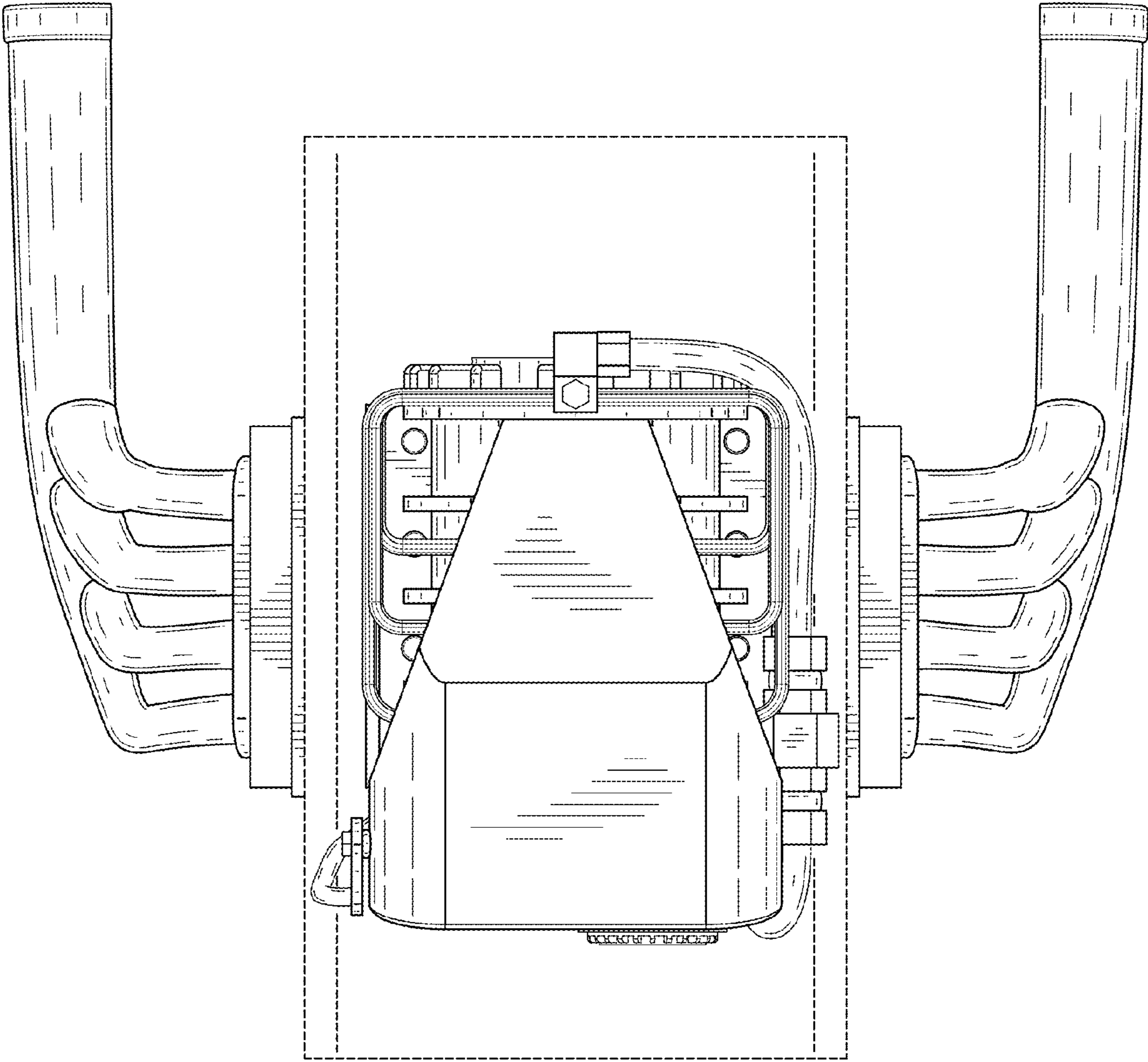


FIG. 9

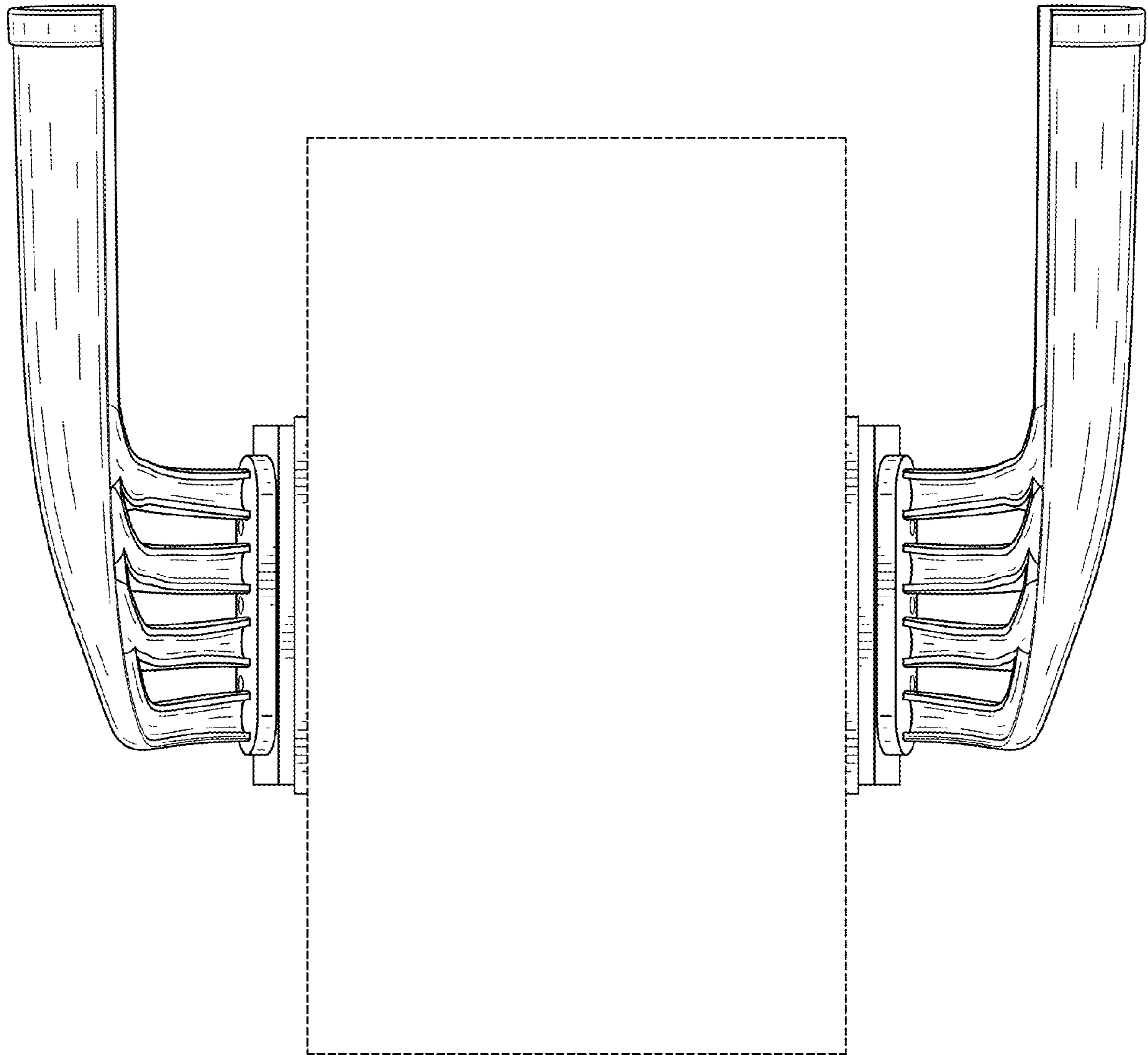


FIG. 10

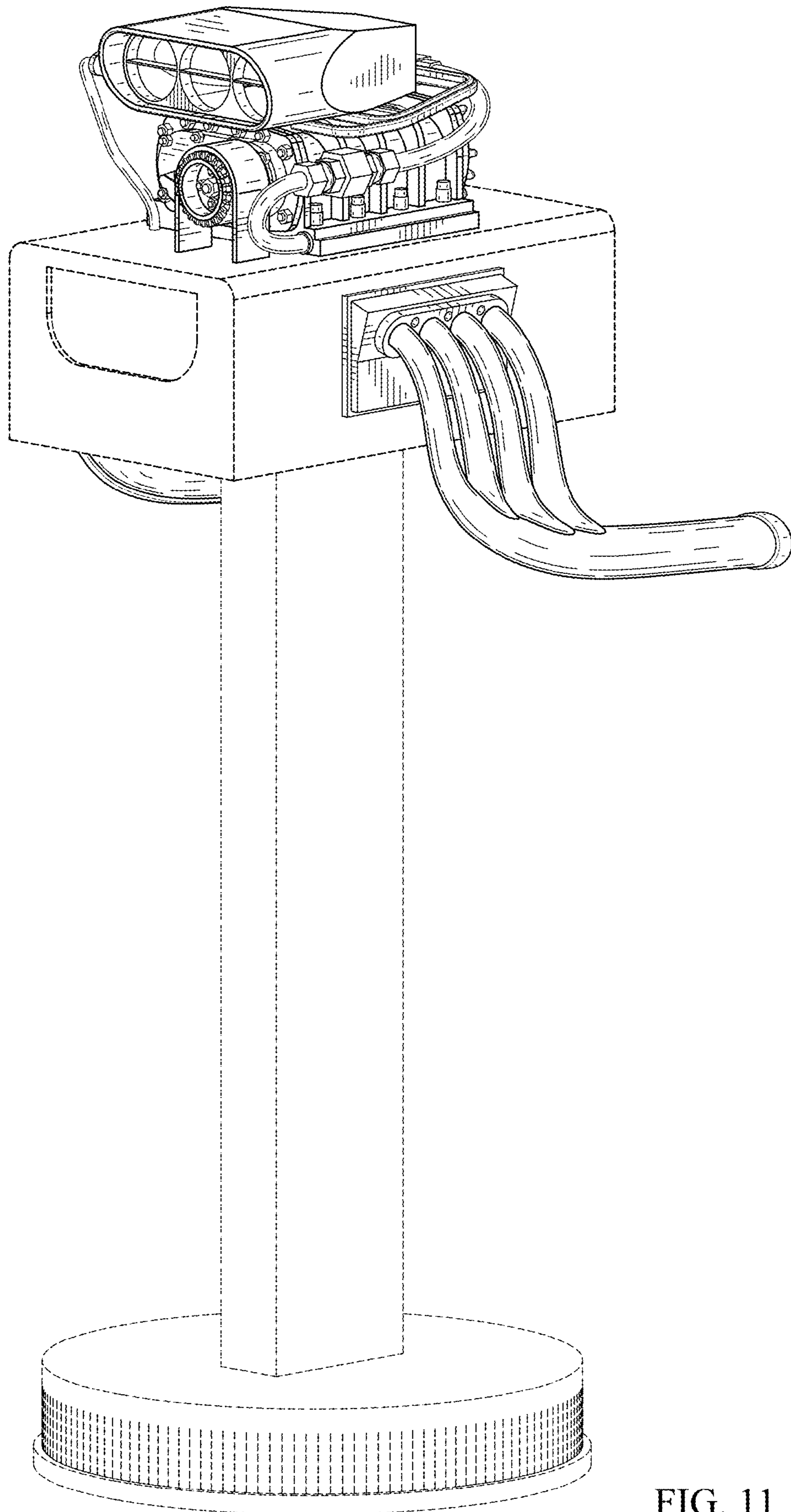


FIG. 11