



US00D896463S

(12) **United States Design Patent**  
**Saeger et al.**

(10) **Patent No.:** **US D896,463 S**

(45) **Date of Patent:** **\*\* Sep. 15, 2020**

(54) **WINCH**

FOREIGN PATENT DOCUMENTS

(71) Applicant: **Harbor Freight Tools USA, Inc.**,  
Calabasas, CA (US)

CN 305574489 \* 6/2019

(72) Inventors: **Lawrence Scott Saeger**, Huntington  
Beach, CA (US); **Michael Thomas  
Matteo**, North Hollywood, CA (US);  
**David Allan Bradley**, Burbank, CA  
(US)

OTHER PUBLICATIONS

HF winch, announced Dec. 2019 [online], [site visited May 15,  
2020]. Available from internet, URL: <https://www.harborfreight.com/APEX-Synthetic-12000-lb-Wireless-Winch-56385.html?ccid=eyJjb2RlljoiMzk2NzE3NjkiLCJza3UiOiI1NjM4NSIsImZlZjoiNDk5Ljk5liwicHJvZHVjdF9p%0D%0AZCI6ljEzNDkwln0%3D%0D%0A> (Year: 2019).\*

(73) Assignee: **Harbor Freight Tools USA, INC.**,  
Calabasas, CA (US)

*Primary Examiner* — George A Bugg  
*Assistant Examiner* — Tamara L Hahn

(\*\*) Term: **15 Years**

(74) *Attorney, Agent, or Firm* — McAndrews Held &  
Malloy, Ltd.

(21) Appl. No.: **29/674,909**

(22) Filed: **Dec. 27, 2018**

(57) **CLAIM**

The ornamental design for a winch, as shown and described.

(51) **LOC (12) Cl.** ..... **12-05**

(52) **U.S. Cl.**

USPC ..... **D34/33**

(58) **Field of Classification Search**

USPC ..... D34/26, 27, 28, 29, 30, 31, 32, 33, 34,  
D34/35, 36, 37, 38, 39; D13/168

CPC ..... B66D 2700/00; B66D 1/12; B66D 1/00;  
B66D 1/14; B66D 3/20; B66D 1/005;  
B66D 3/18; B66D 5/34

See application file for complete search history.

**DESCRIPTION**

FIG. 1 is a top-front perspective view of a winch showing  
our new design according to a first embodiment;  
FIG. 2 is a front elevation view thereof;  
FIG. 3 is a rear elevation thereof;  
FIG. 4 is a right side elevation view thereof;  
FIG. 5 is a left side elevation view thereof;  
FIG. 6 is a top plan view thereof;  
FIG. 7 is a bottom plan view thereof;  
FIG. 8 is a bottom-rear perspective view thereof;  
FIG. 9 is a top-front perspective view of a winch showing  
our new design according to a second embodiment;  
FIG. 10 is a front elevation view thereof;  
FIG. 11 is a rear elevation thereof;  
FIG. 12 is a right side elevation view thereof;  
FIG. 13 is a left side elevation view thereof;  
FIG. 14 is a top plan view thereof;  
FIG. 15 is a bottom plan view thereof; and,  
FIG. 16 is a bottom-rear perspective view thereof.

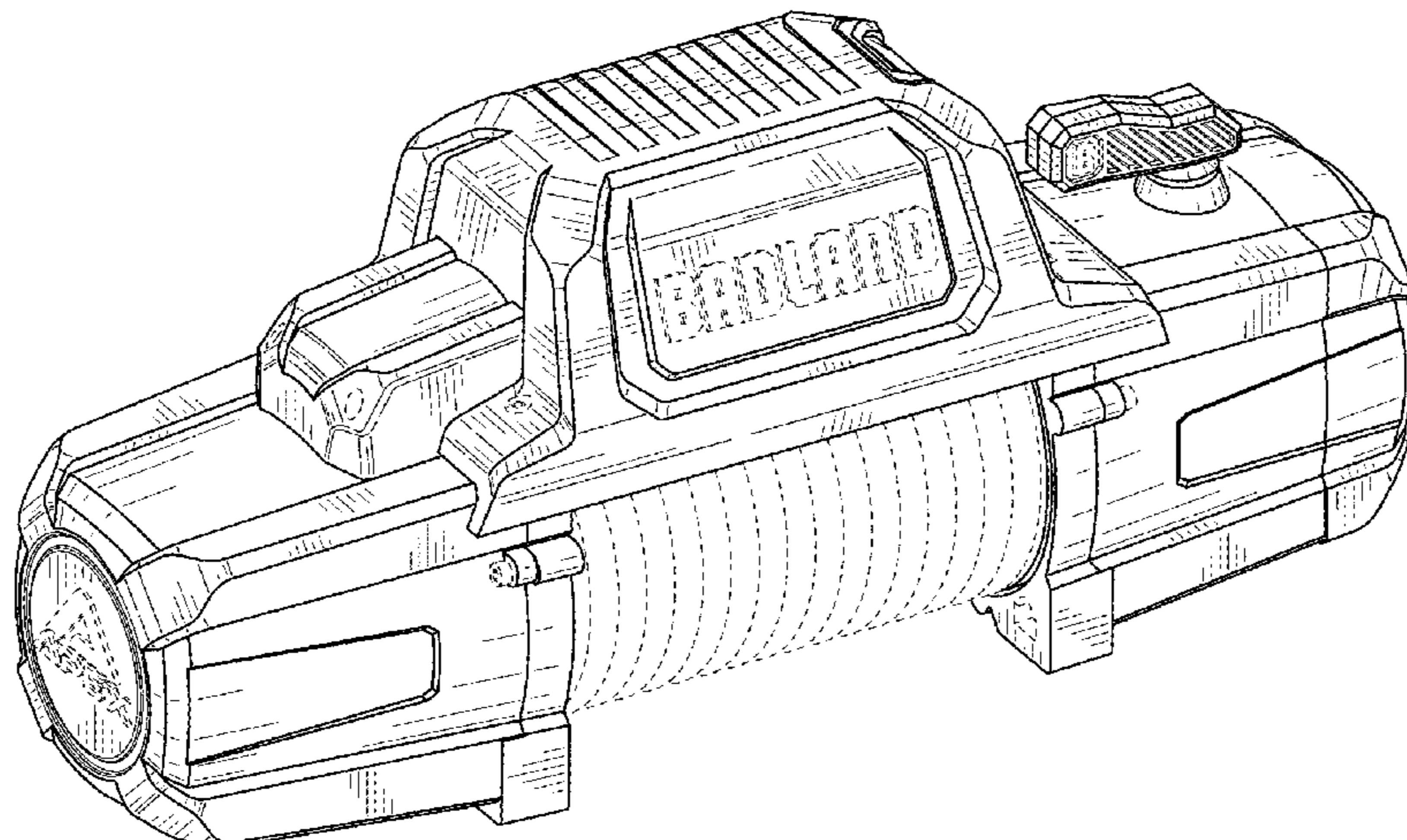
(56) **References Cited**

U.S. PATENT DOCUMENTS

D550,720 S \* 9/2007 Geisler ..... D34/33  
D555,874 S \* 11/2007 Elliott ..... D34/33  
D588,162 S \* 3/2009 Geisler ..... D15/9  
D703,414 S \* 4/2014 Fretz ..... D34/33  
D741,038 S \* 10/2015 Huang ..... D34/33  
D776,395 S \* 1/2017 Fretz ..... D34/33  
D779,768 S \* 2/2017 Fretz ..... D34/33  
D799,143 S \* 10/2017 Cui ..... D34/33  
D811,683 S \* 2/2018 Frazier ..... D34/33

(Continued)

(Continued)



The dashed broken lines in the figures illustrate portions of the winch that form no part of the claimed design.

**1 Claim, 12 Drawing Sheets**

(56)

**References Cited**

U.S. PATENT DOCUMENTS

D811,684 S *	2/2018	Fretz	.....	D34/33
D815,386 S *	4/2018	August	.....	D34/33
D816,937 S *	5/2018	Fretz	.....	D34/33
10,256,580 B2 *	4/2019	August	.....	H01H 85/203
D849,353 S *	5/2019	Fretz	.....	D34/33
D880,804 S *	4/2020	Frazier	.....	D34/33
2014/0001427 A1 *	1/2014	Fretz	.....	B66D 1/02 254/342

2014/0252286 A1 *	9/2014	Averill	.....	B66D 1/56 254/344
2014/0257631 A1 *	9/2014	Heravi	.....	G08C 17/00 701/36
2016/0046468 A1 *	2/2016	Heravi	.....	G08C 17/02 715/835
2016/0096709 A1 *	4/2016	Averill	.....	B66D 1/485 254/267
2017/0320709 A1 *	11/2017	Frazier	.....	B66D 1/12
2018/0118528 A1 *	5/2018	August	.....	H05K 7/1432
2018/0118530 A1 *	5/2018	August	.....	H01P 1/005
2018/0175713 A1 *	6/2018	Fretz	.....	H02K 7/116
2018/0201488 A1 *	7/2018	Zheng	.....	B66D 1/12
2018/0273357 A1 *	9/2018	Huang	.....	B66D 1/00
2019/0077642 A1 *	3/2019	Huang	.....	H02H 7/085
2019/0092609 A1 *	3/2019	Cui	.....	B66D 1/00
2019/0300344 A1 *	10/2019	Cui	.....	B66D 1/00
2019/0382247 A1 *	12/2019	Cui	.....	B66D 1/12

\* cited by examiner

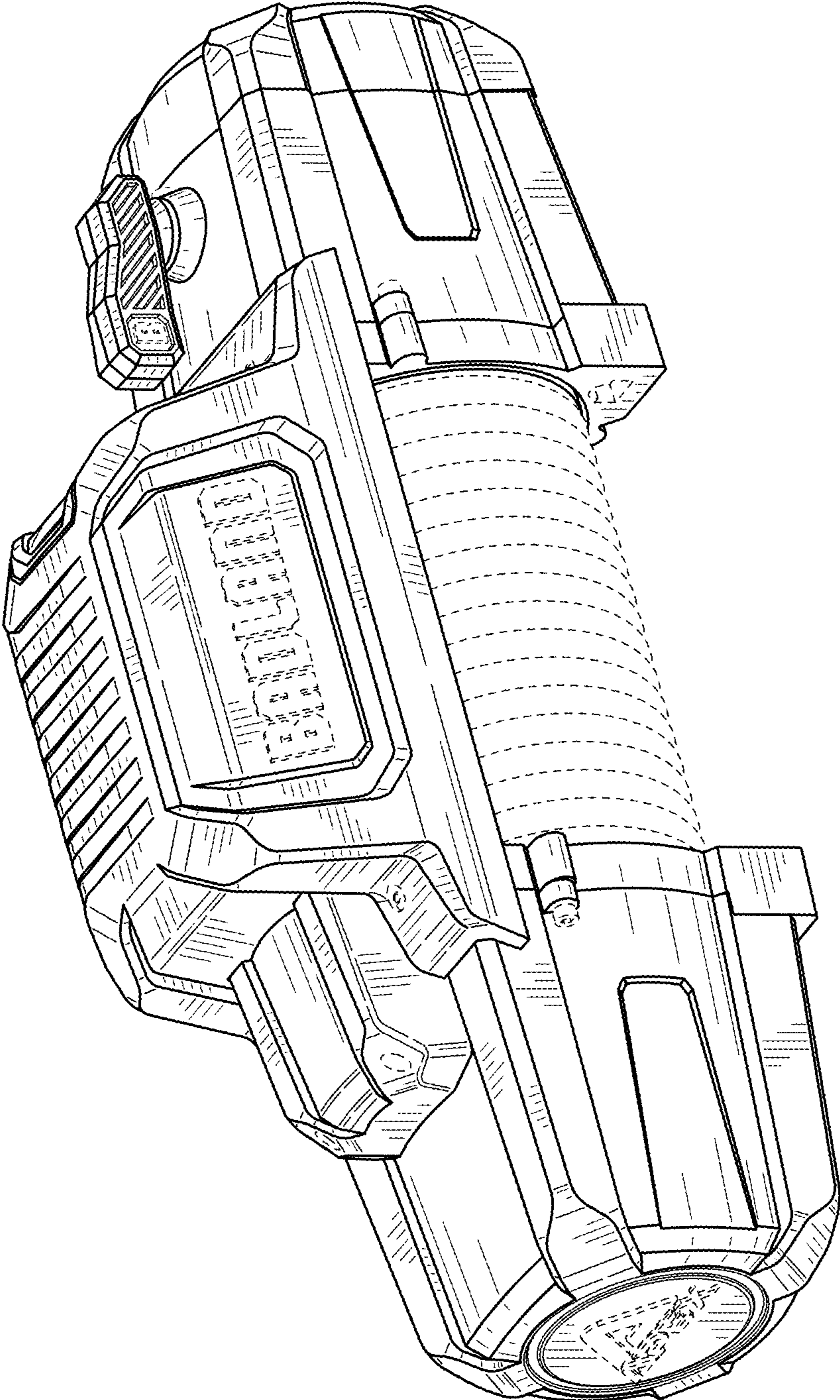


FIG. 1

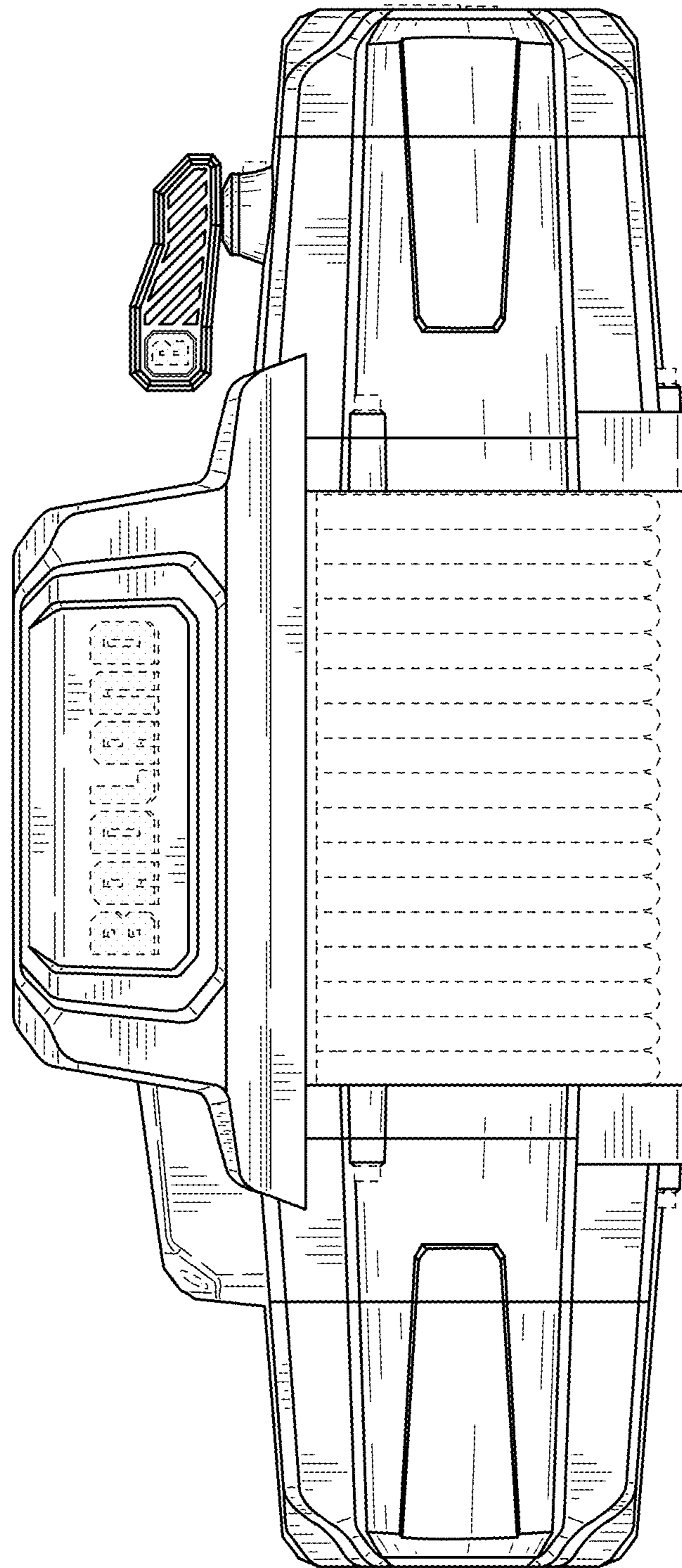


FIG. 2

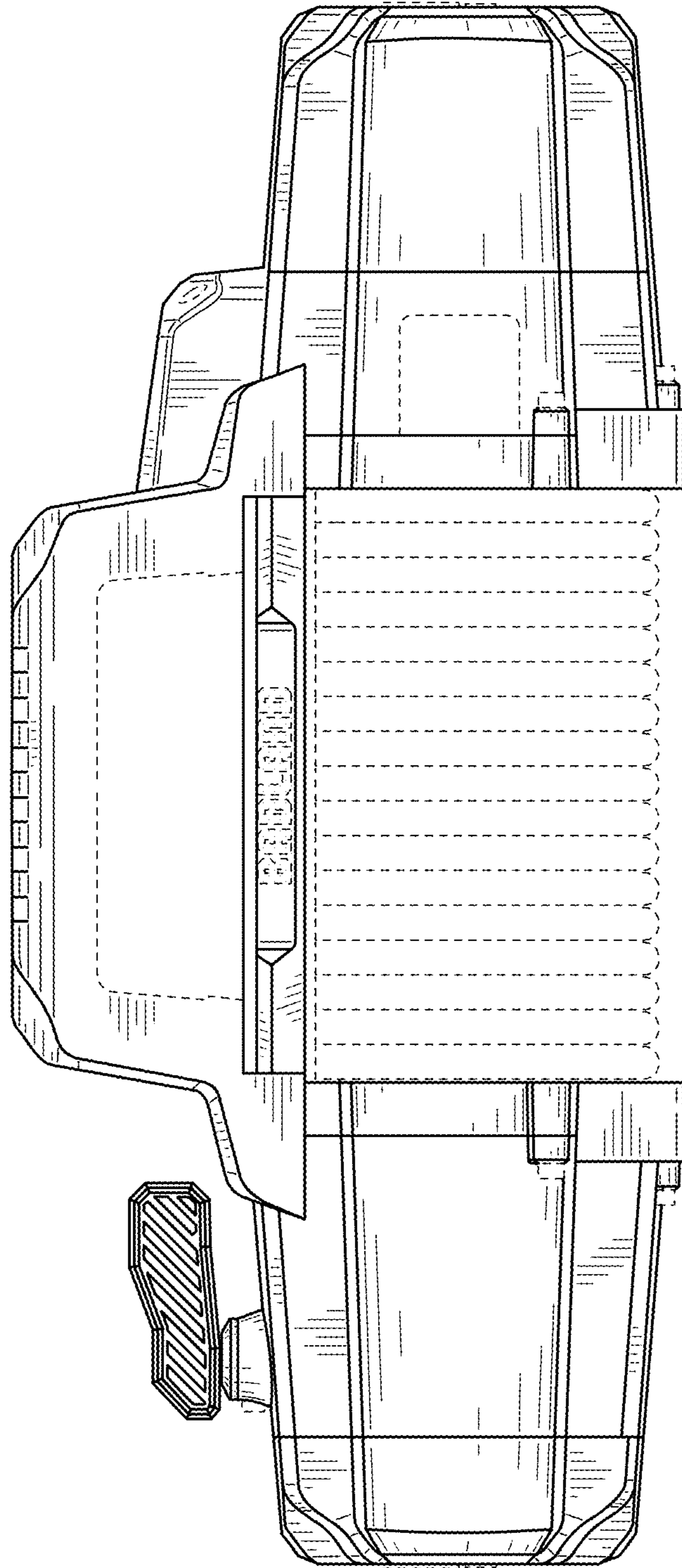


FIG. 3

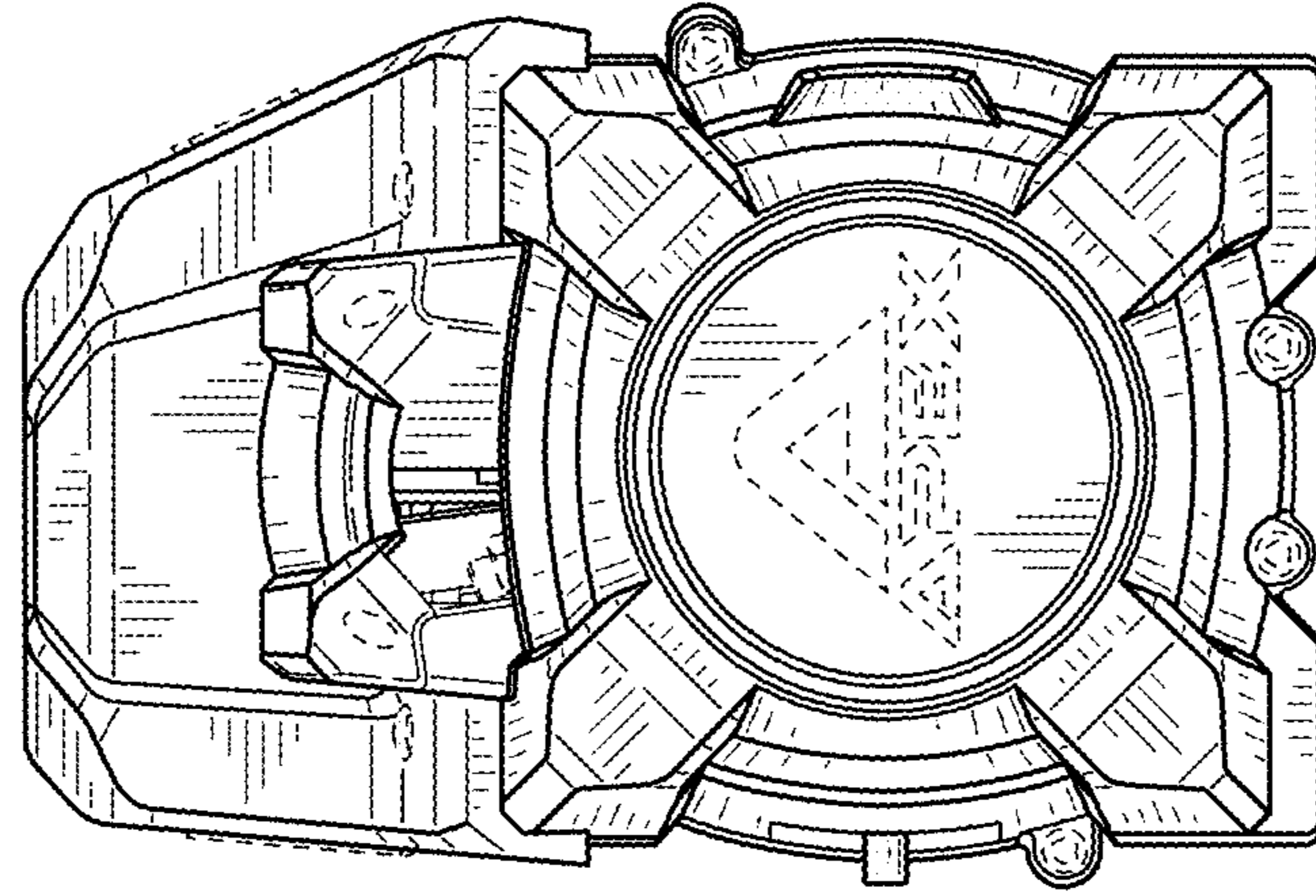


FIG. 5

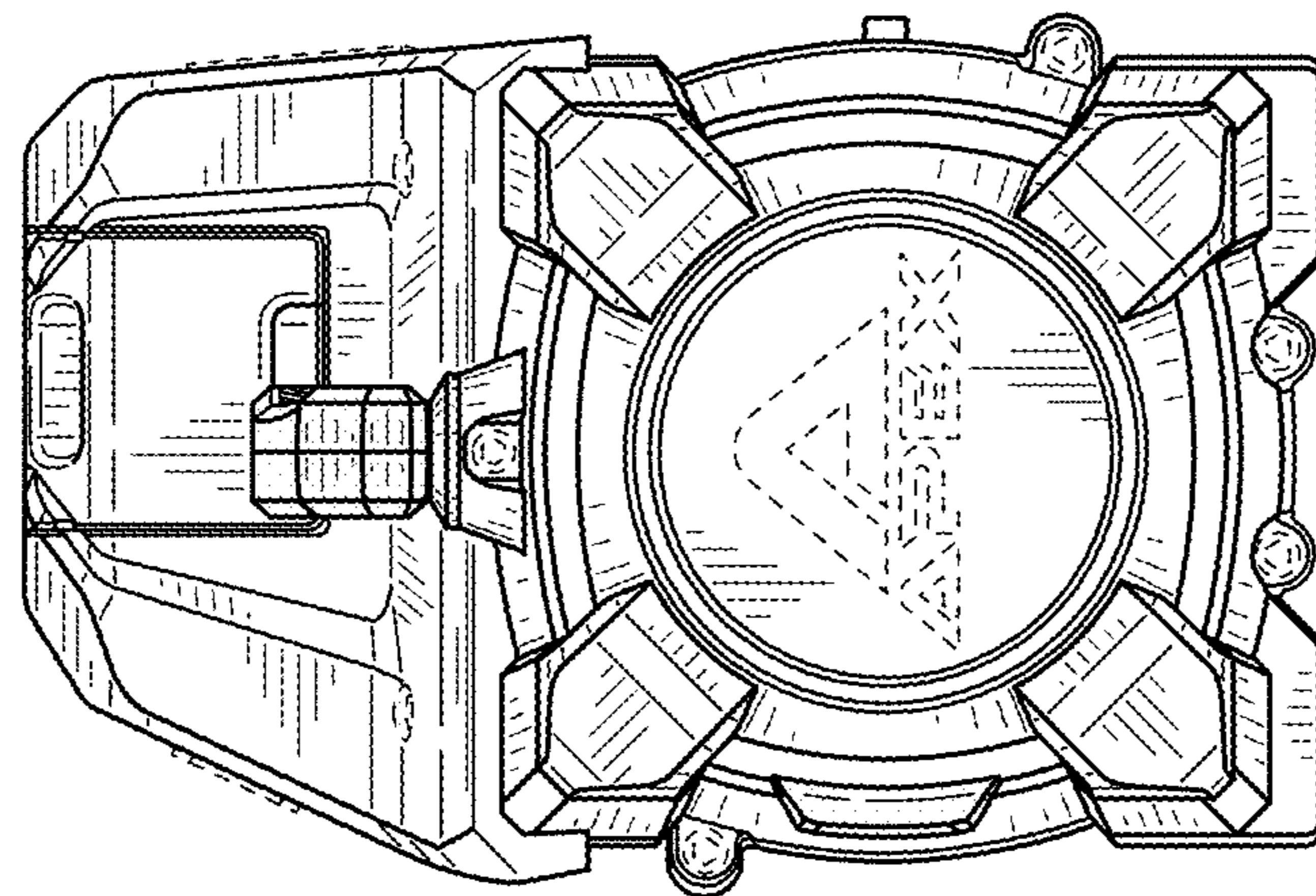


FIG. 4

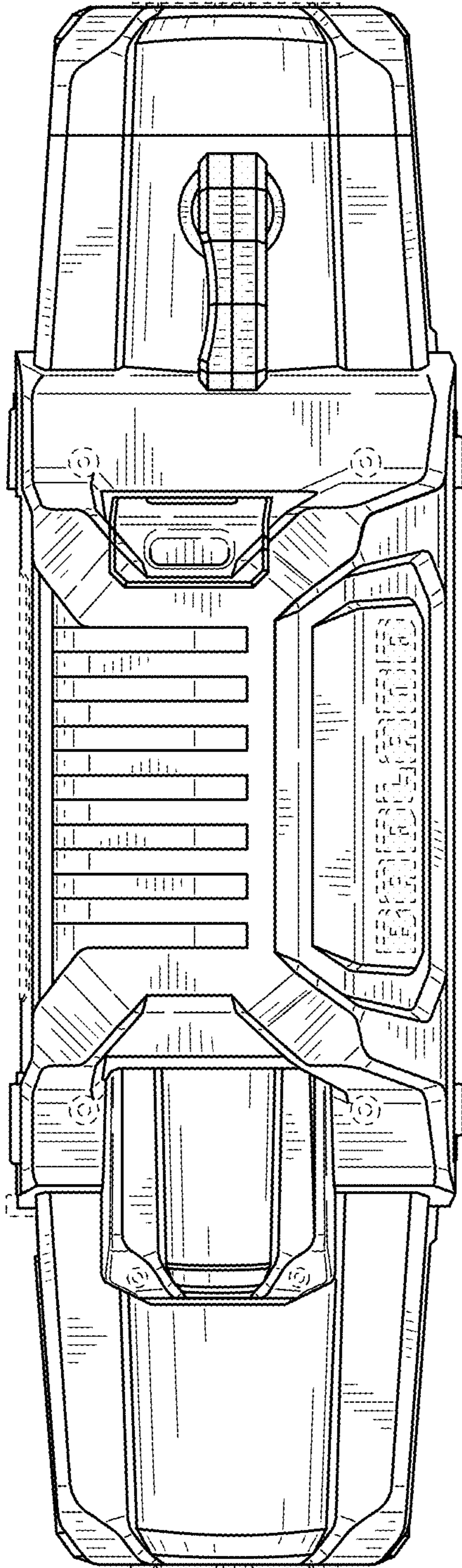


FIG. 6

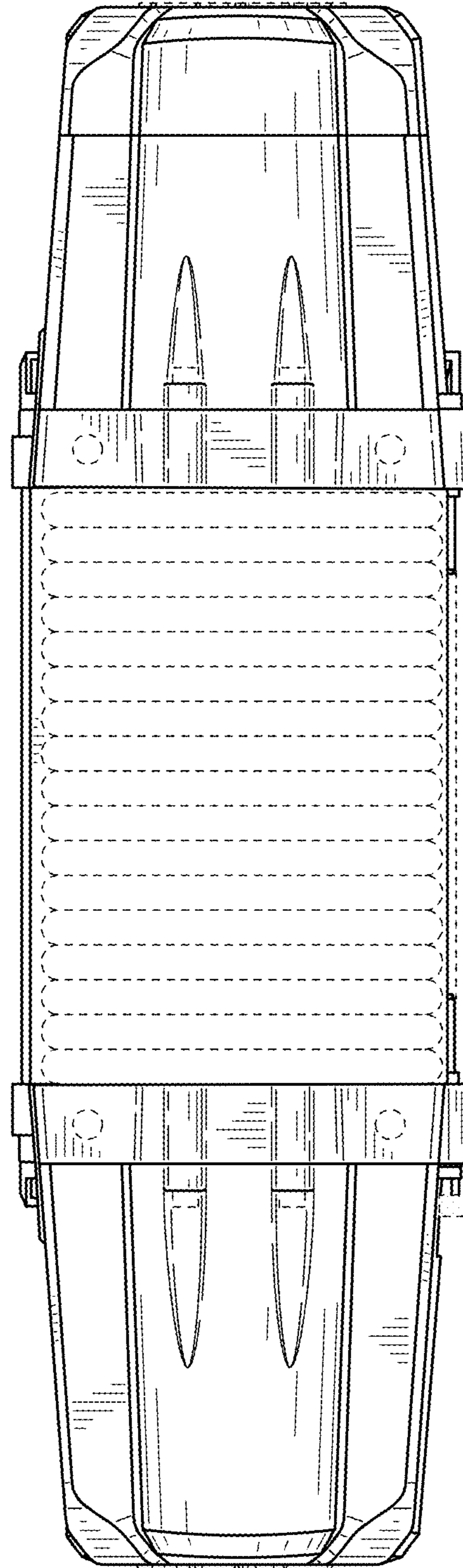


FIG. 7

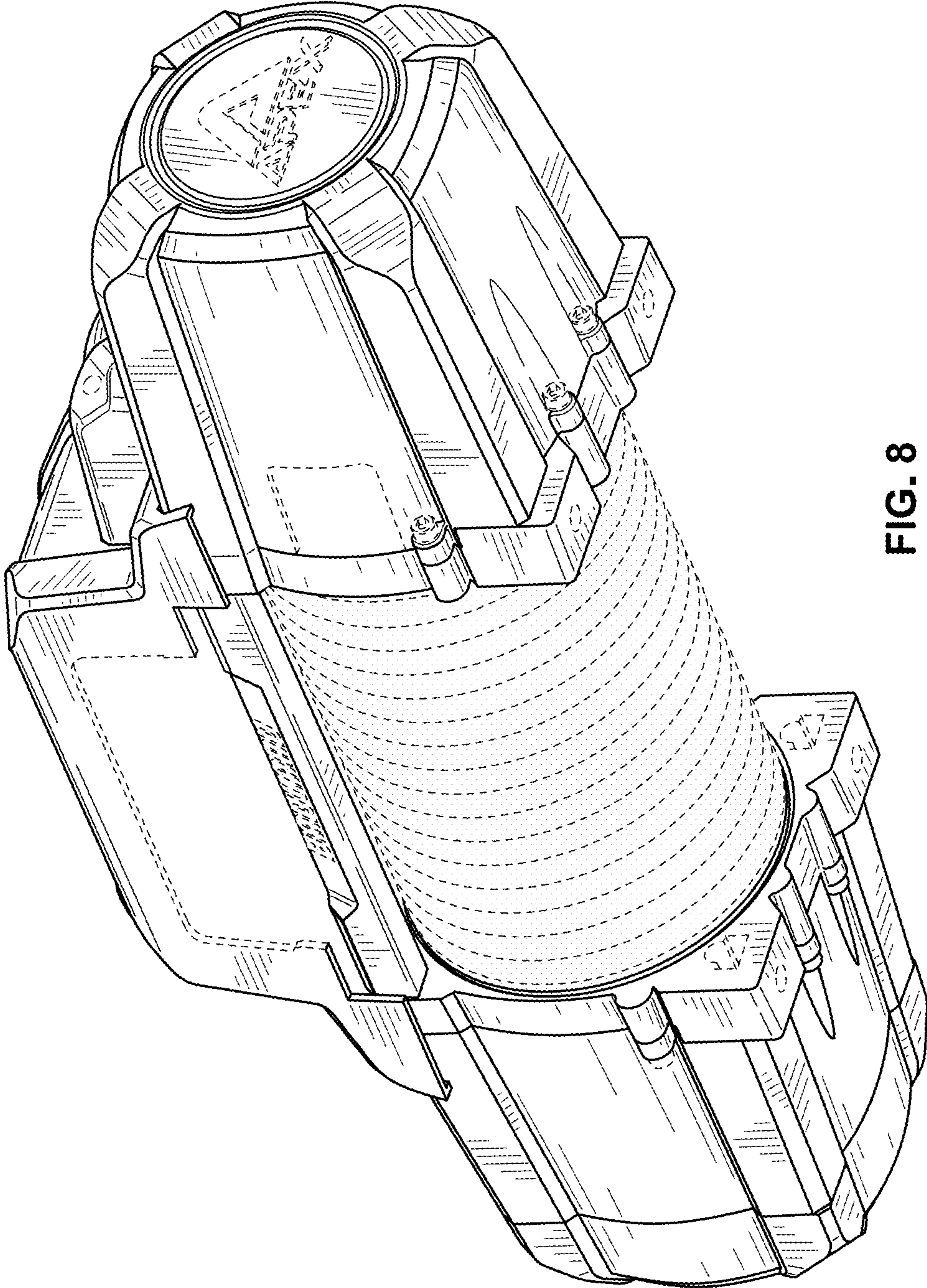


FIG. 8



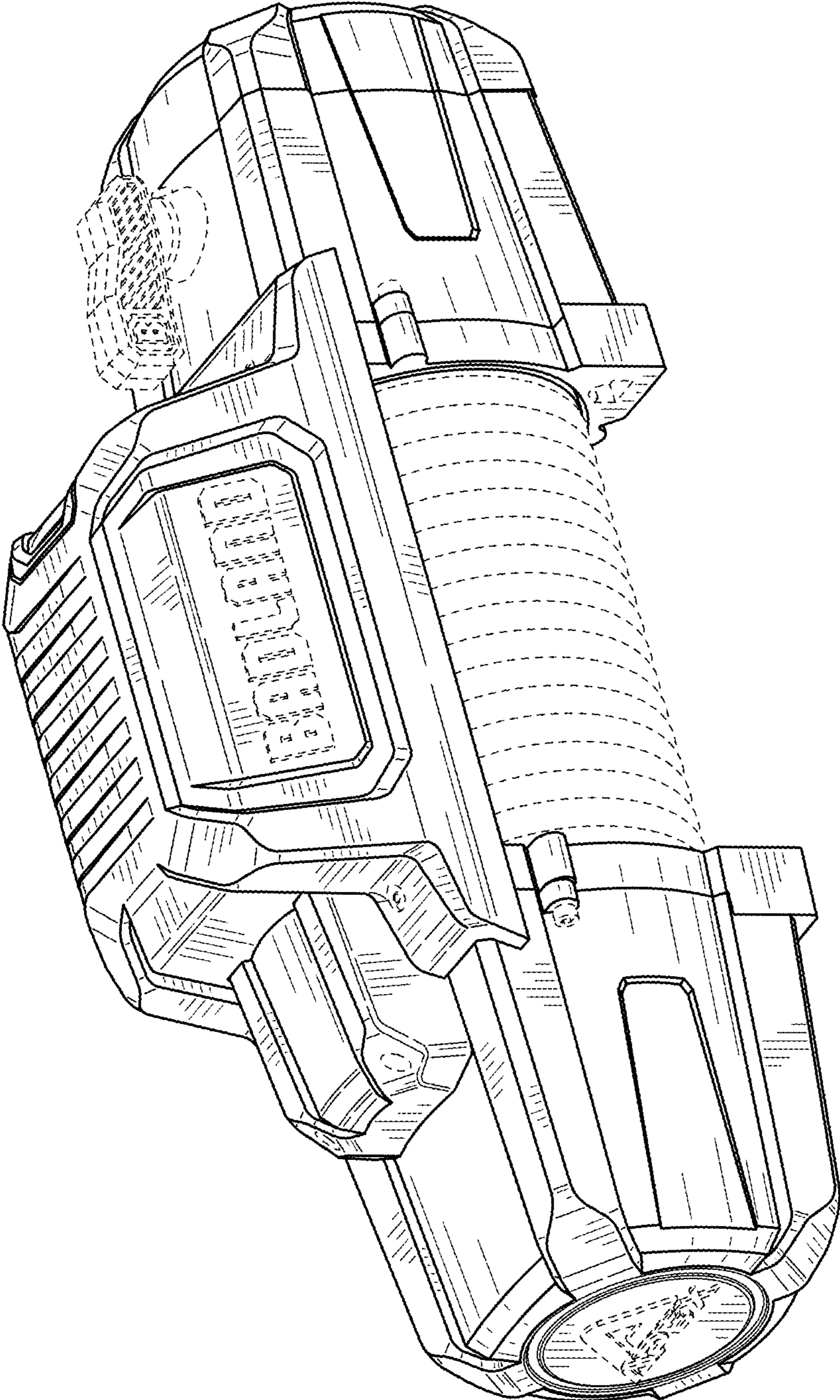


FIG. 9

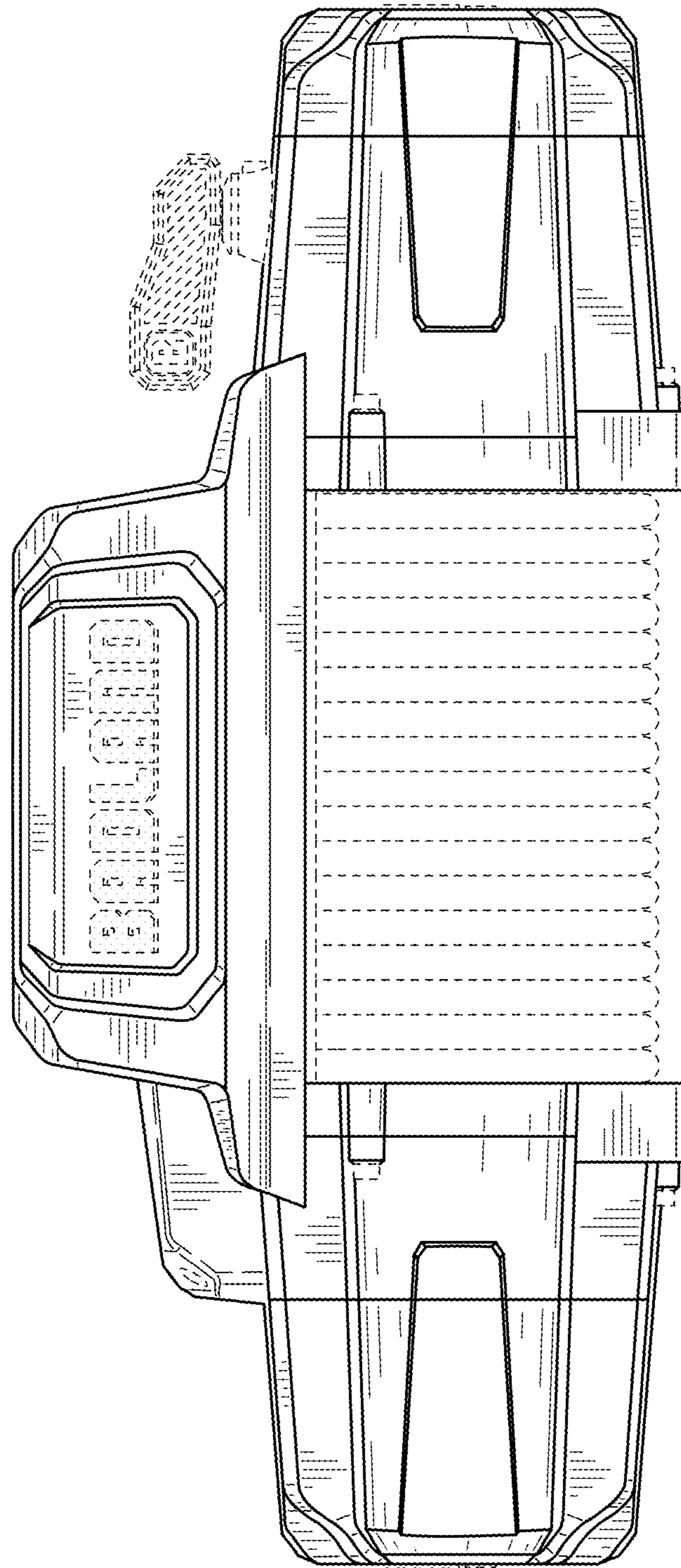


FIG. 10

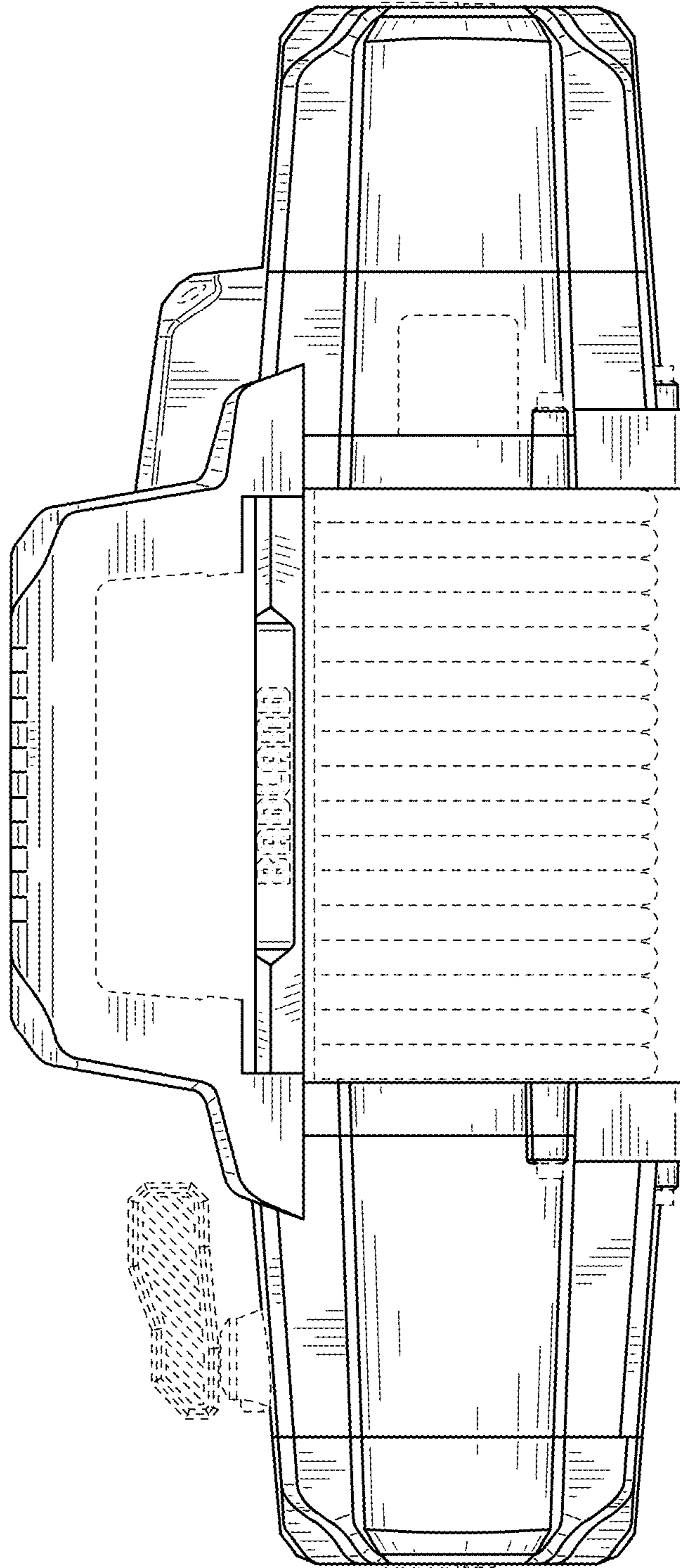


FIG. 11

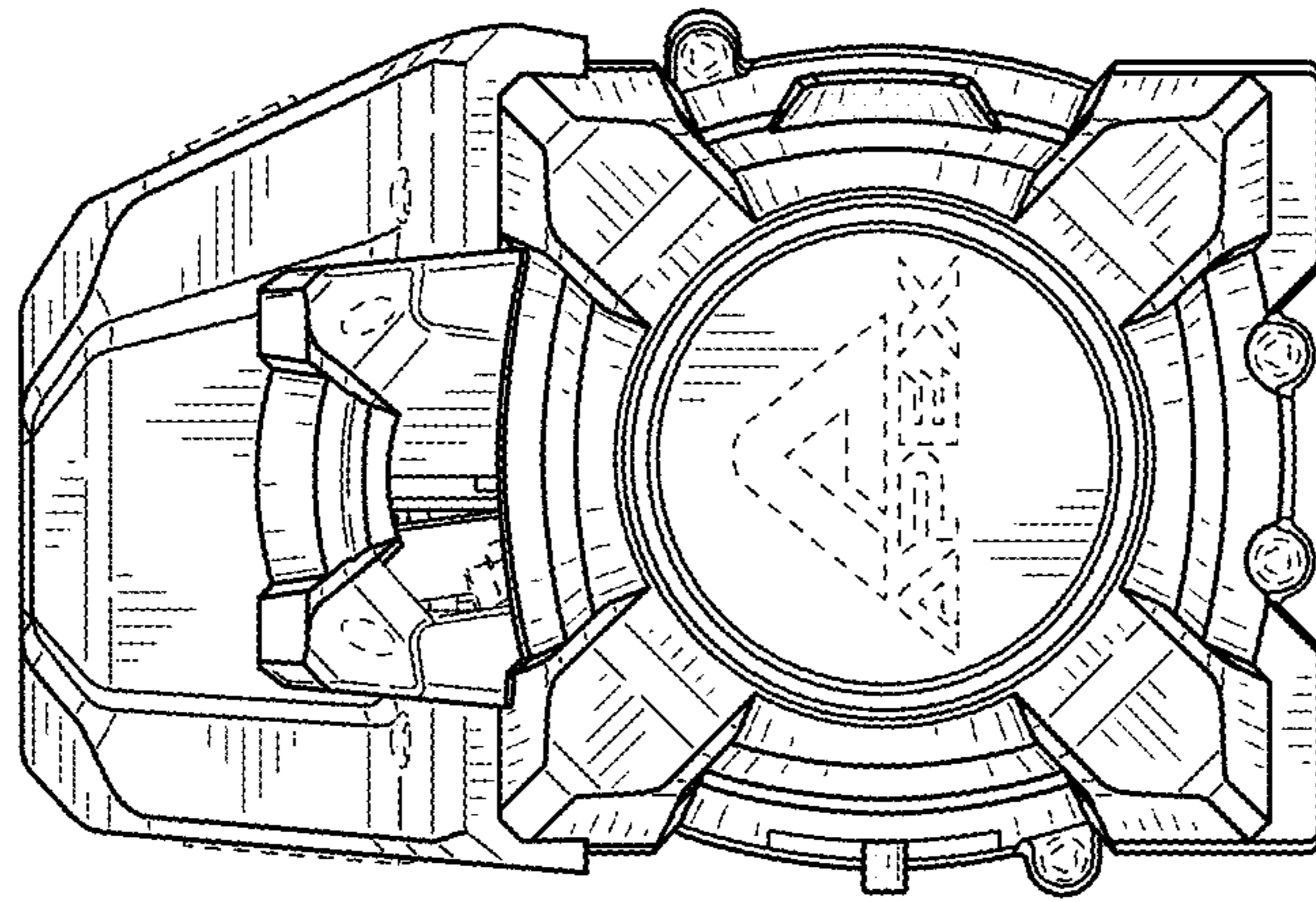


FIG. 13

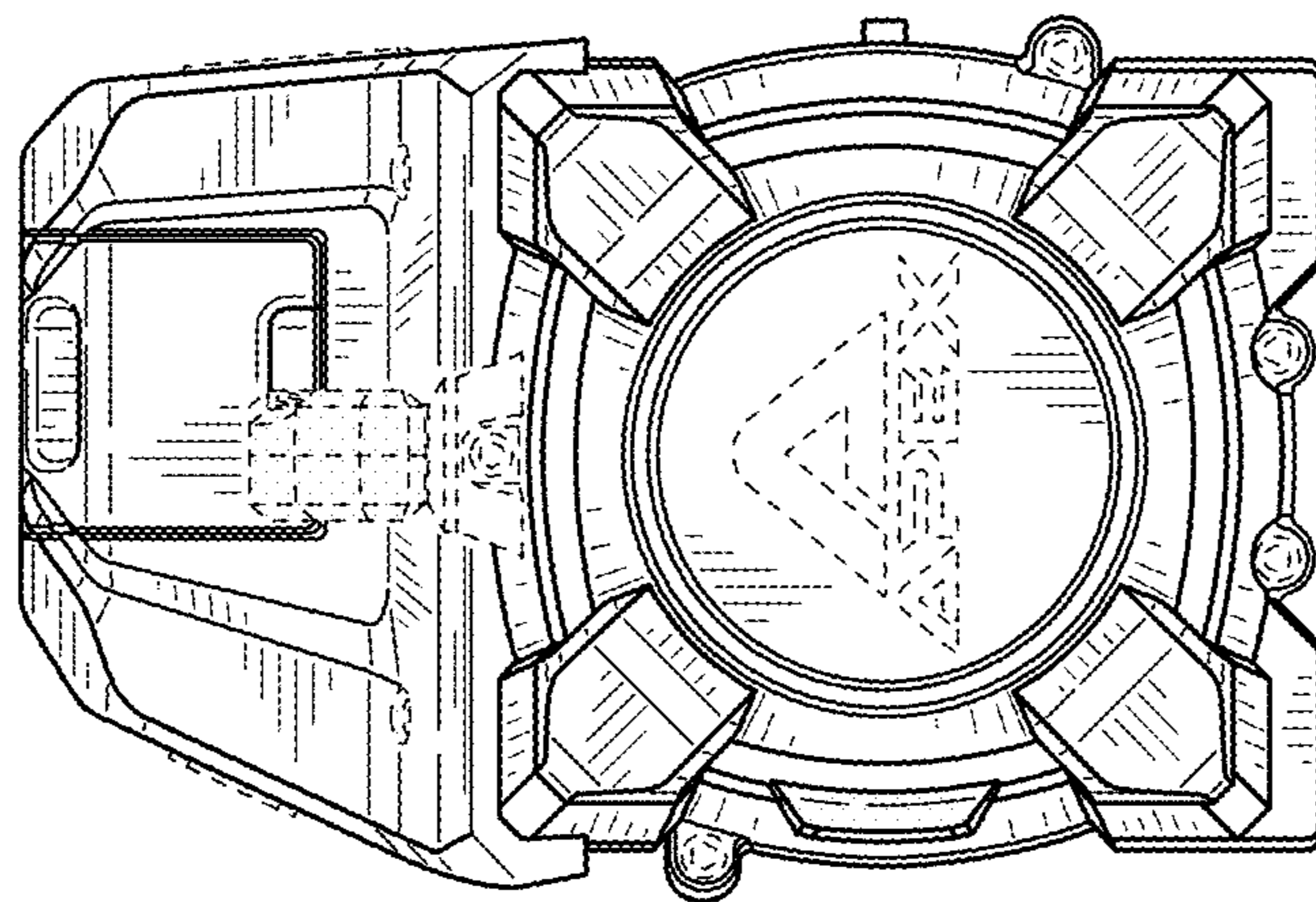


FIG. 12

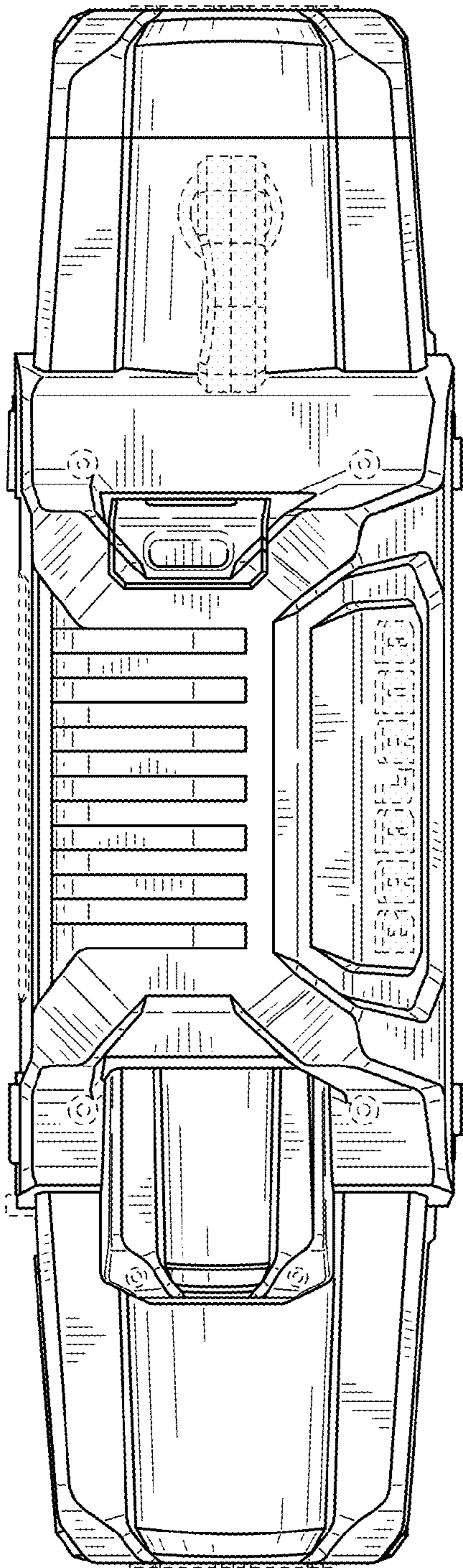


FIG. 14

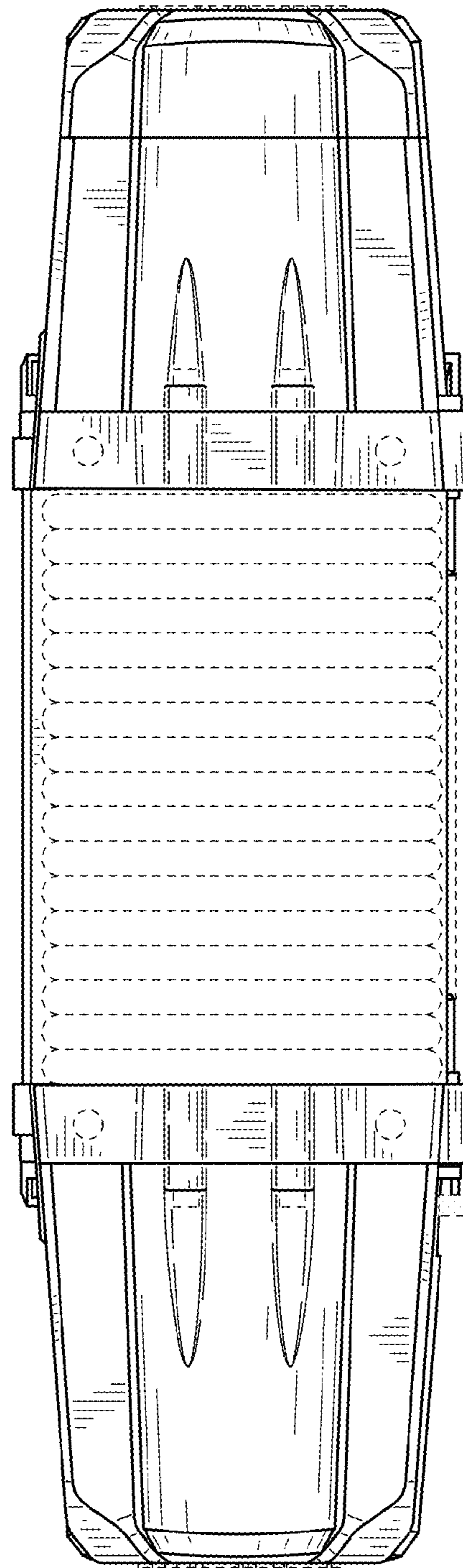


FIG. 15

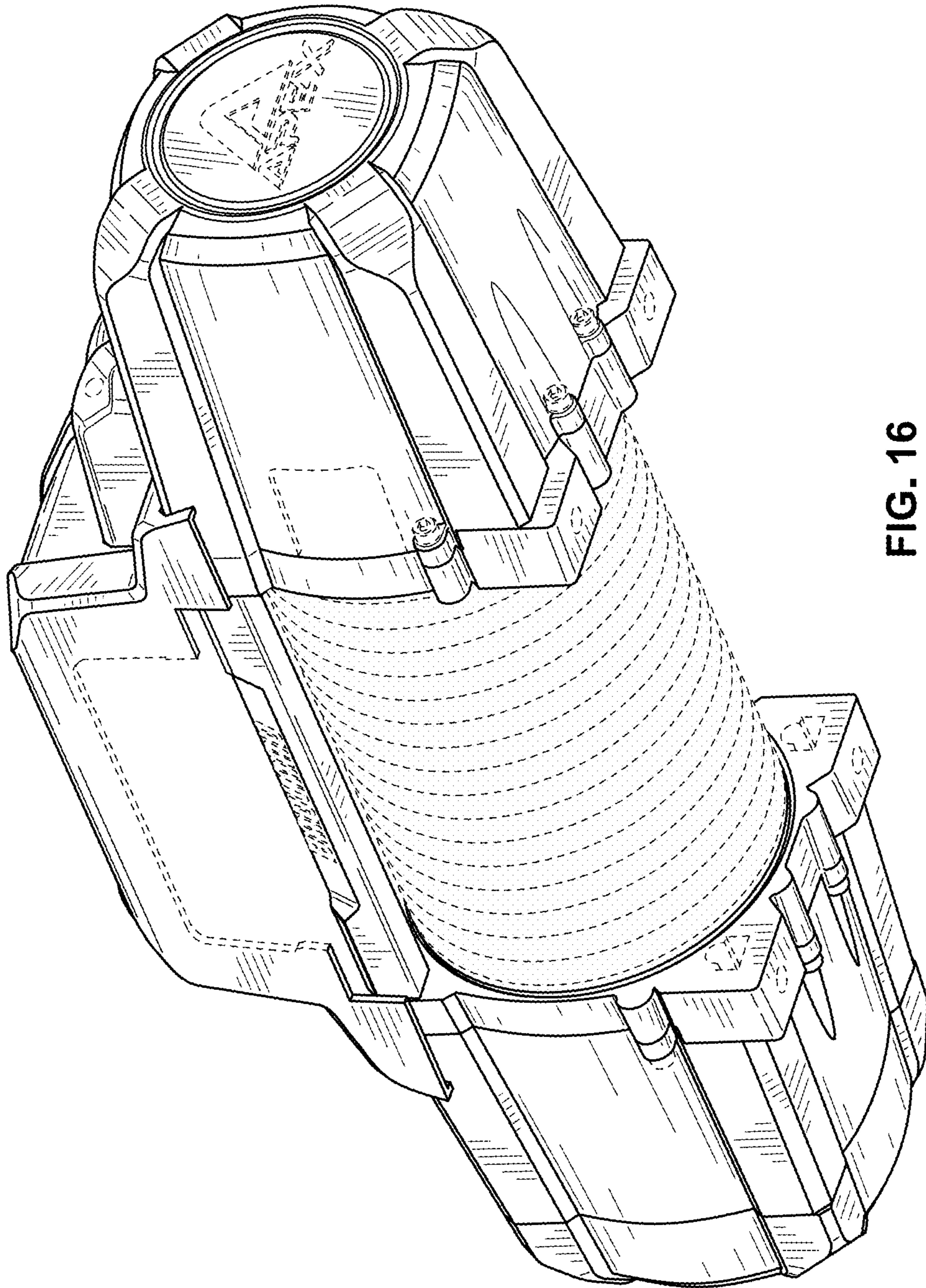


FIG. 16