

US00D896462S

(12) **United States Design Patent** (10) **Patent No.:** **US D896,462 S**
Lee (45) **Date of Patent:** **** Sep. 15, 2020**

(54) **PART OF A FOLDING CART**
(71) Applicant: **YEU JENG ENTERPRISE LTD.,**
Taichung (TW)
(72) Inventor: **Yuan-Cheng Lee,** Taichung (TW)
(73) Assignee: **YEU JENG ENTERPRISE LTD.,**
Taichung (TW)
(**) Term: **15 Years**

9,168,785 B2 * 10/2015 Spektor B60B 33/0076
D758,687 S * 6/2016 Shitrit D34/12
D837,475 S * 1/2019 Yeo D34/17
2006/0261564 A1 * 11/2006 Chuang B62B 1/125
280/47.27
2008/0197592 A1 * 8/2008 Dukes B62B 3/1476
280/47.34

* cited by examiner

Primary Examiner — Gino Colan

(21) Appl. No.: **29/676,142**
(22) Filed: **Jan. 8, 2019**
(51) **LOC (12) Cl.** **12-02**
(52) **U.S. Cl.**
USPC **D34/17**
(58) **Field of Classification Search**
USPC D34/12, 14, 17, 19-27; 280/651, 47.19,
280/47.35, 655, 47.17, 35, 47.34, 47.27;
16/35 R
CPC B62B 1/12; B62B 1/14; B62B 3/02; B62B
1/125; B62B 1/20; B62B 5/0438; B62B
1/04; B62B 1/042; B62B 1/208; B62B
2205/00
See application file for complete search history.

(57) **CLAIM**

The ornamental design for a part of a folding cart, as shown and described.

DESCRIPTION

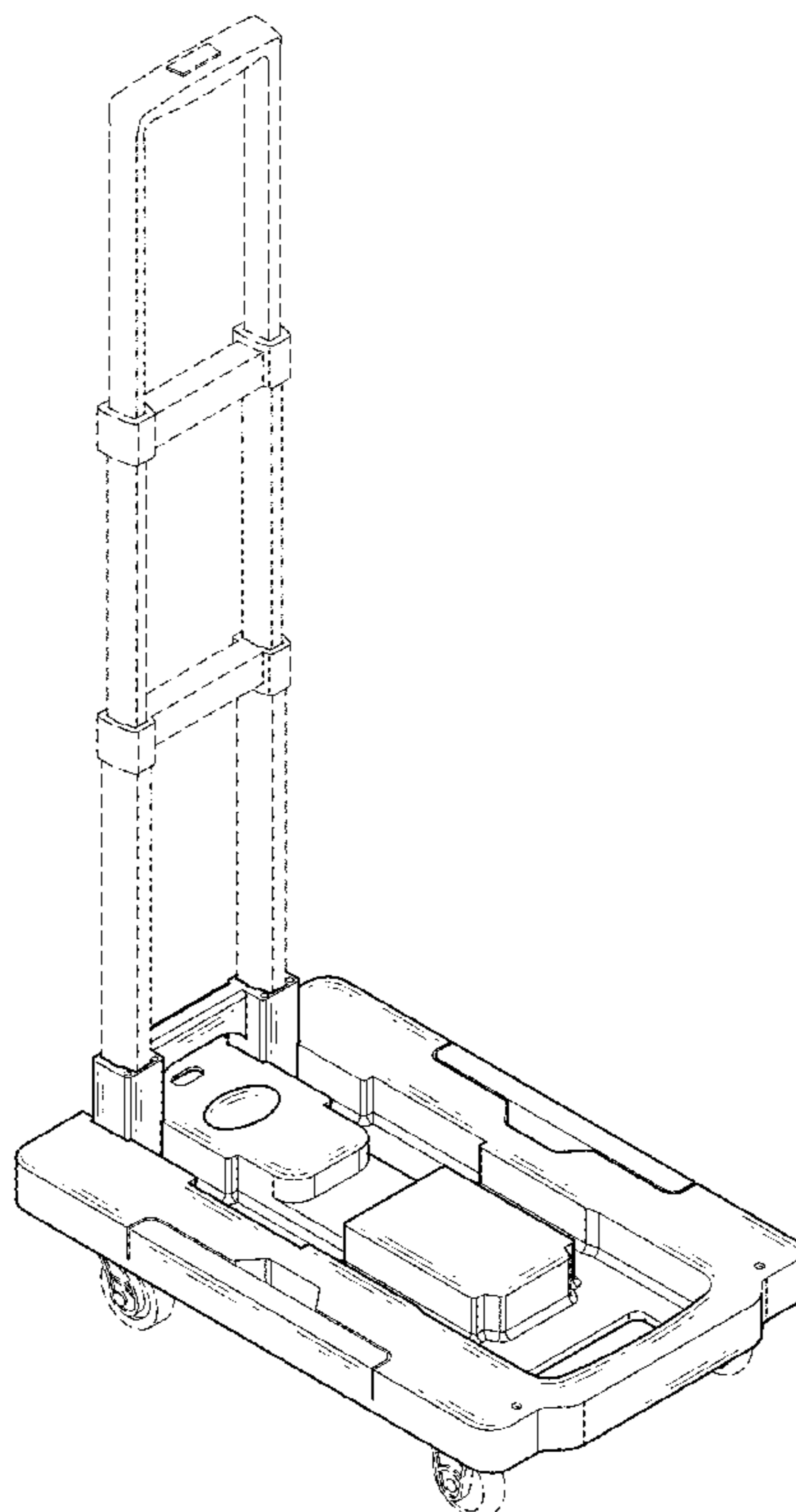
FIG. 1 is a perspective view of a part of a folding cart showing my new design;
FIG. 2 is a front elevational view thereof;
FIG. 3 is a rear elevational view thereof;
FIG. 4 is a left side elevational view thereof;
FIG. 5 is a right side elevational view thereof;
FIG. 6 is a top plan view thereof;
FIG. 7 is a bottom plan view thereof;
FIG. 8 is a bottom perspective view thereof; and,
FIG. 9 is a top perspective view thereof, in a folded position.
The broken lines shown in the figures are for the purpose of illustrating environment and form no part of the claimed design.

(56) **References Cited**

U.S. PATENT DOCUMENTS

6,024,376 A * 2/2000 Golichowski B62B 3/022
16/35 R
8,944,442 B2 * 2/2015 Tsai B62B 3/02
280/35

1 Claim, 9 Drawing Sheets



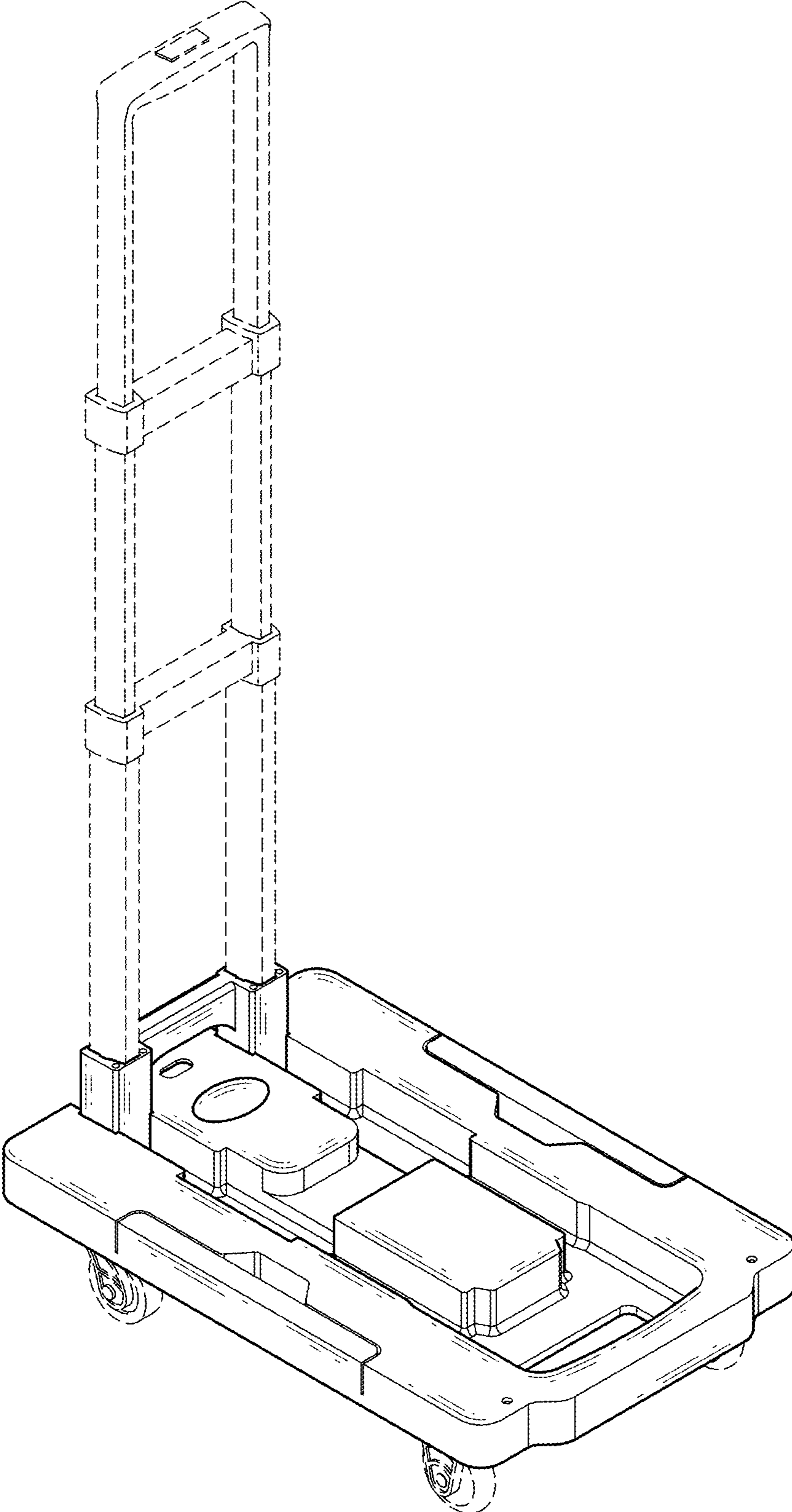


FIG.1

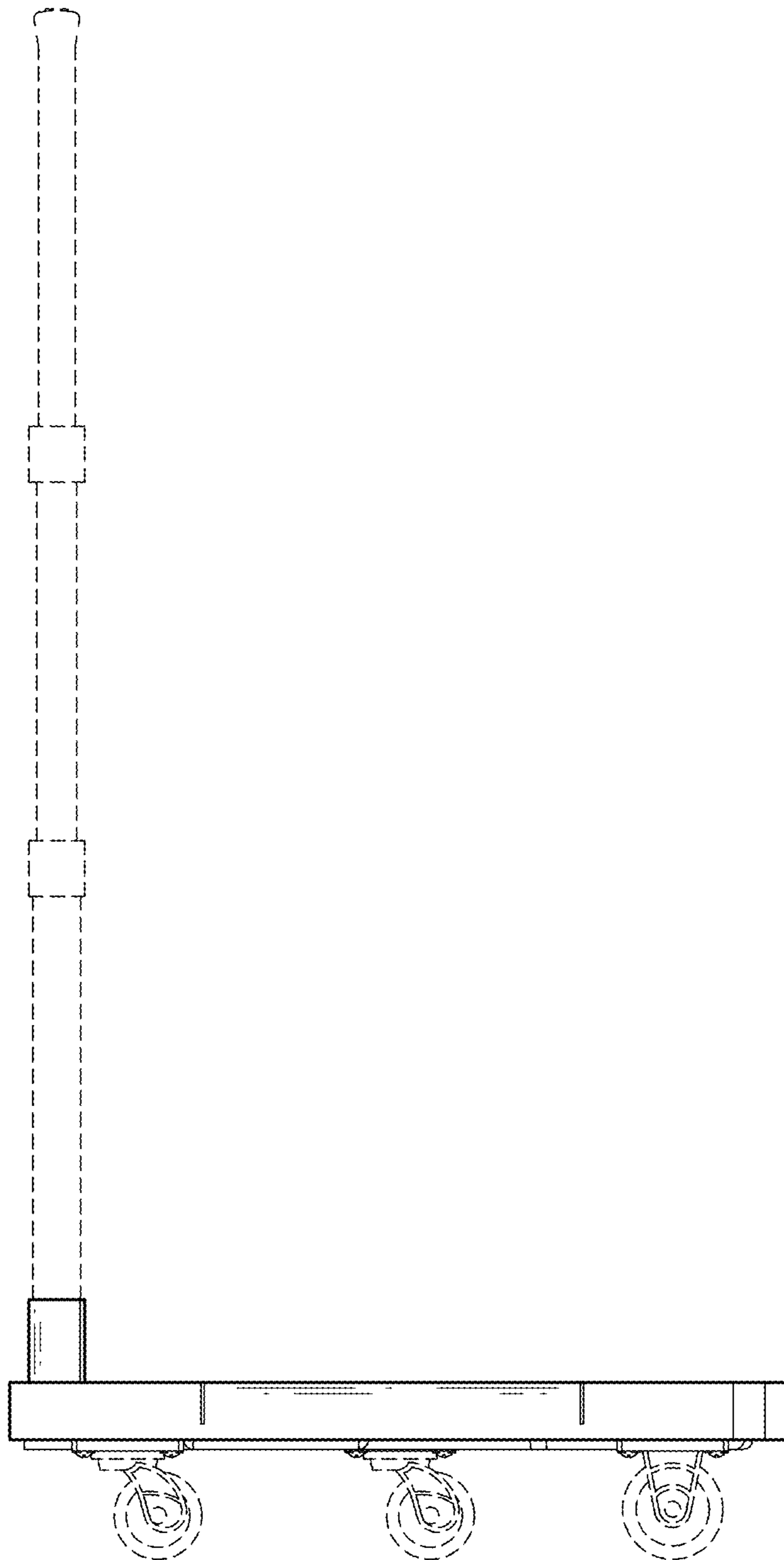


FIG.2

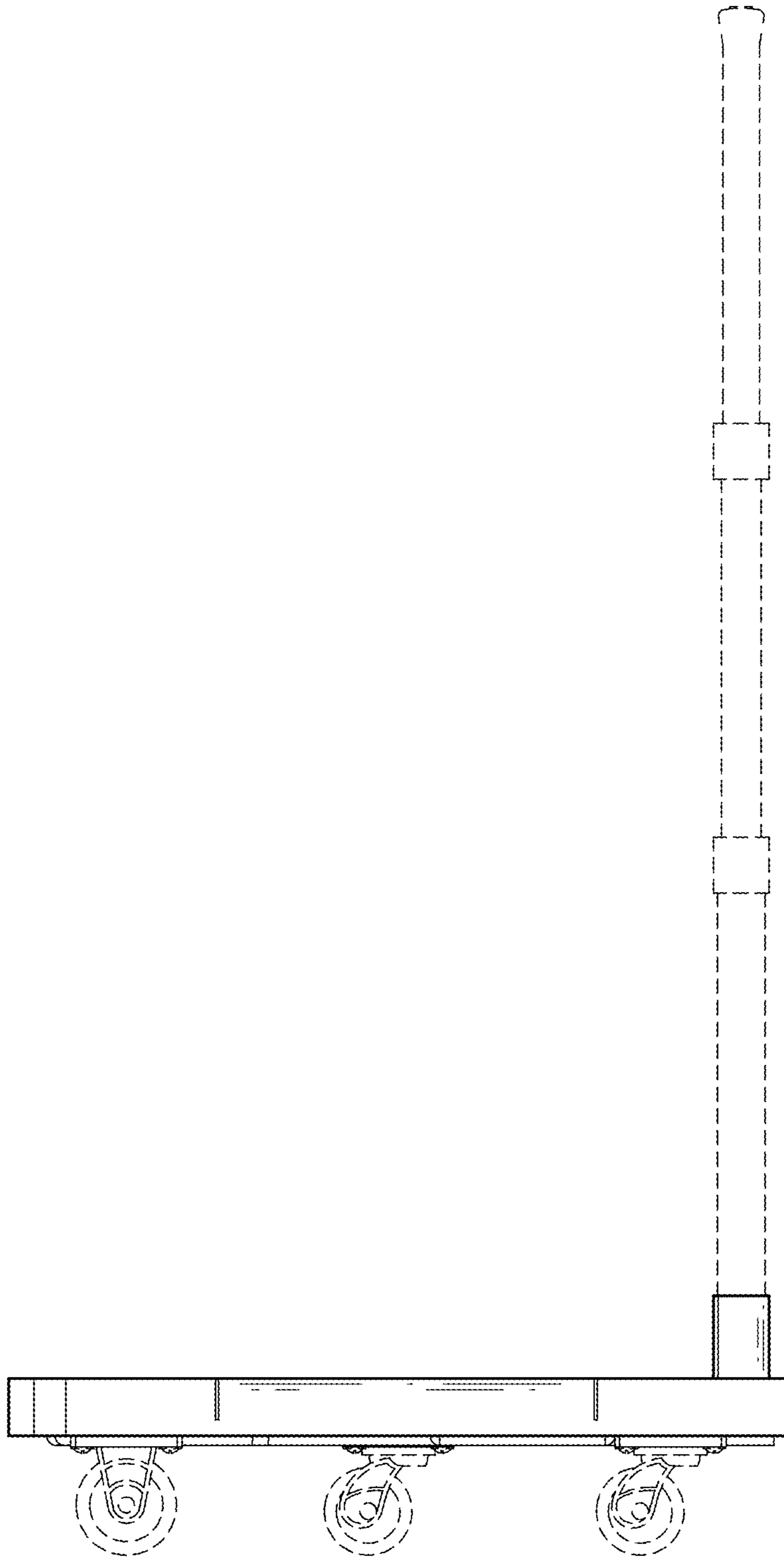


FIG.3

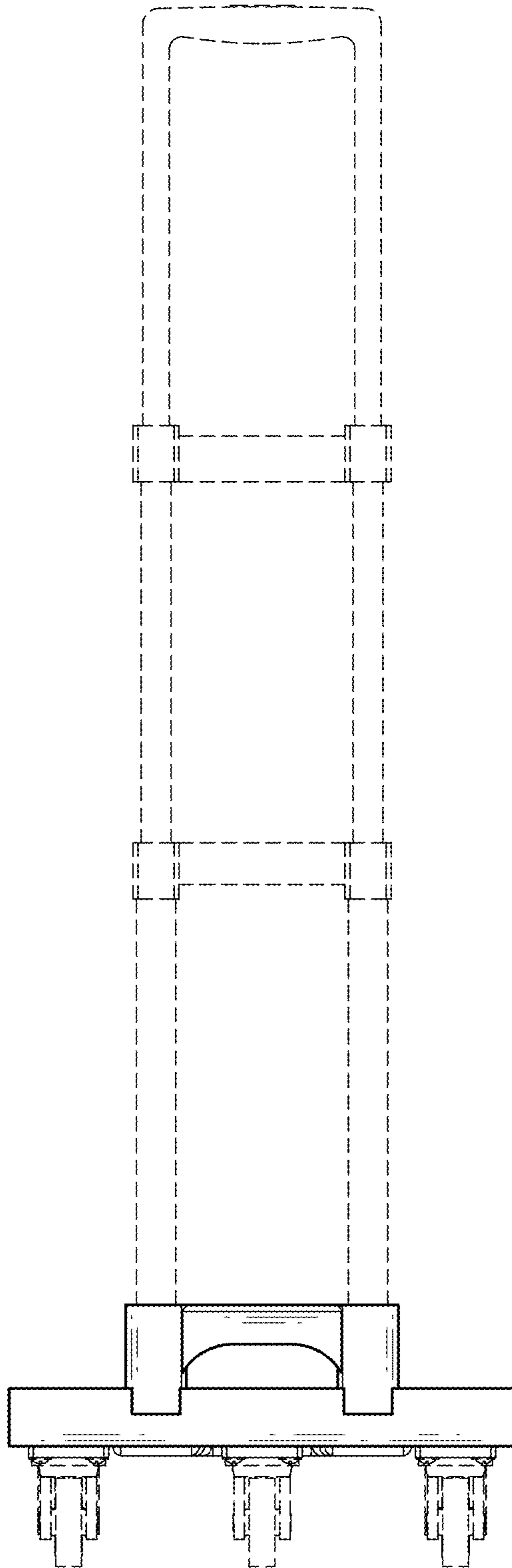


FIG.4

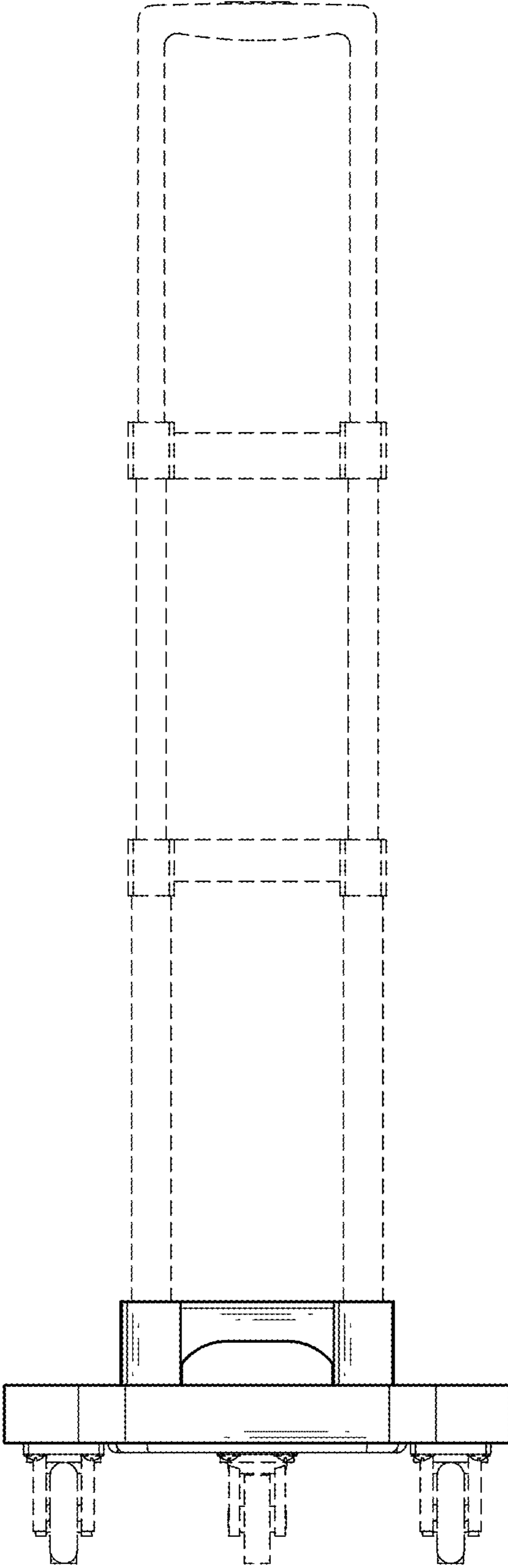


FIG.5

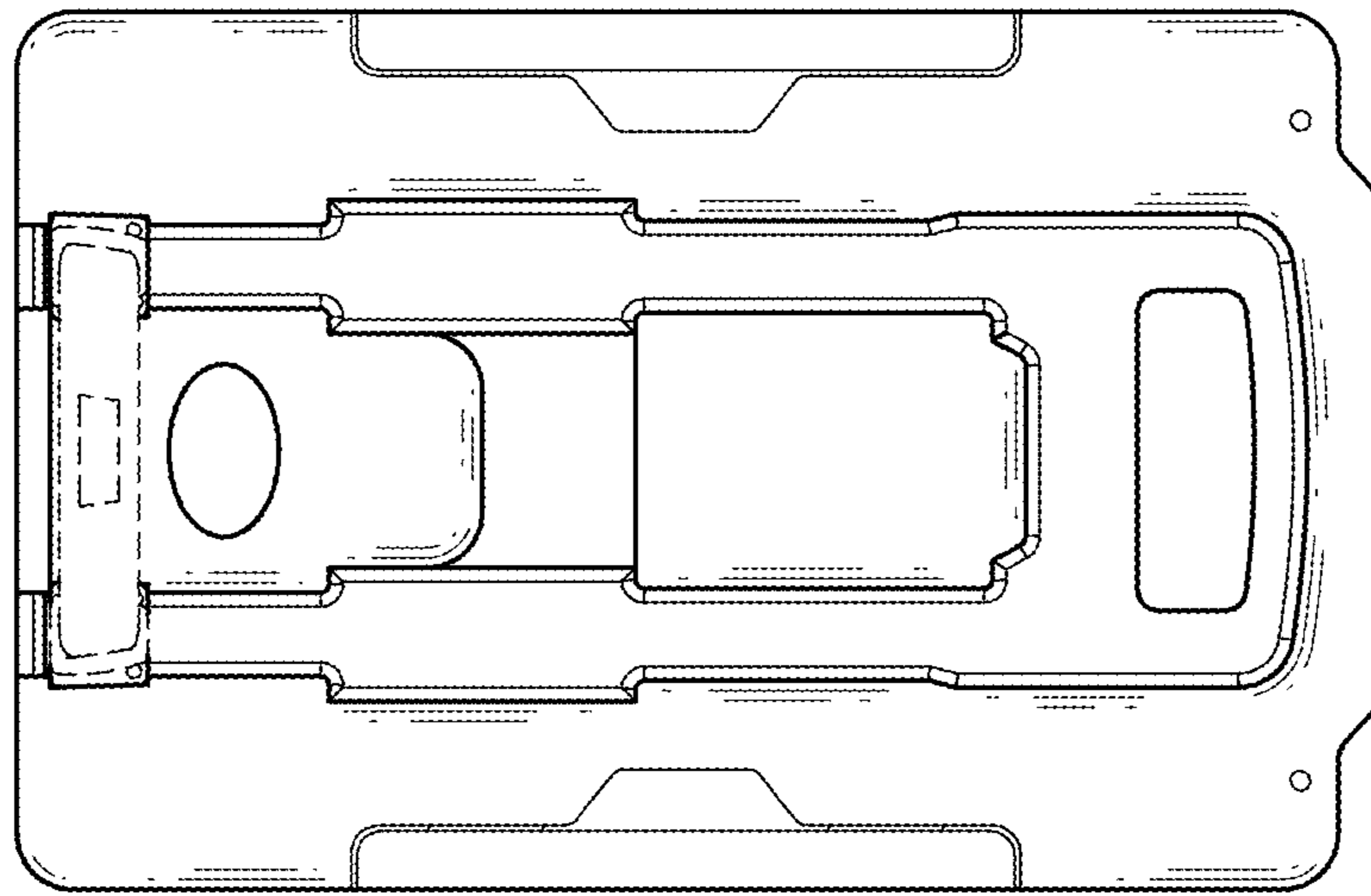


FIG.6

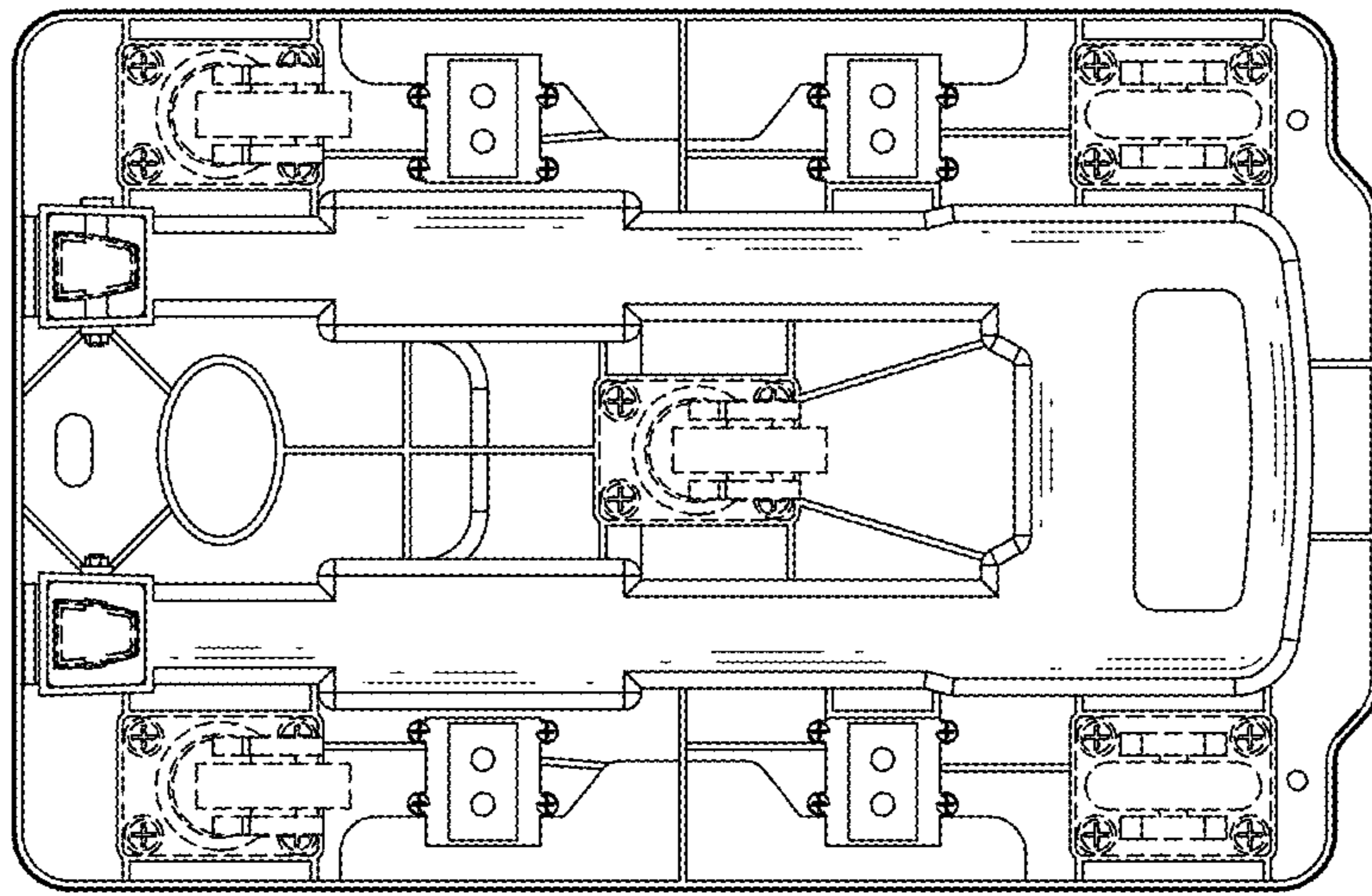


FIG.7

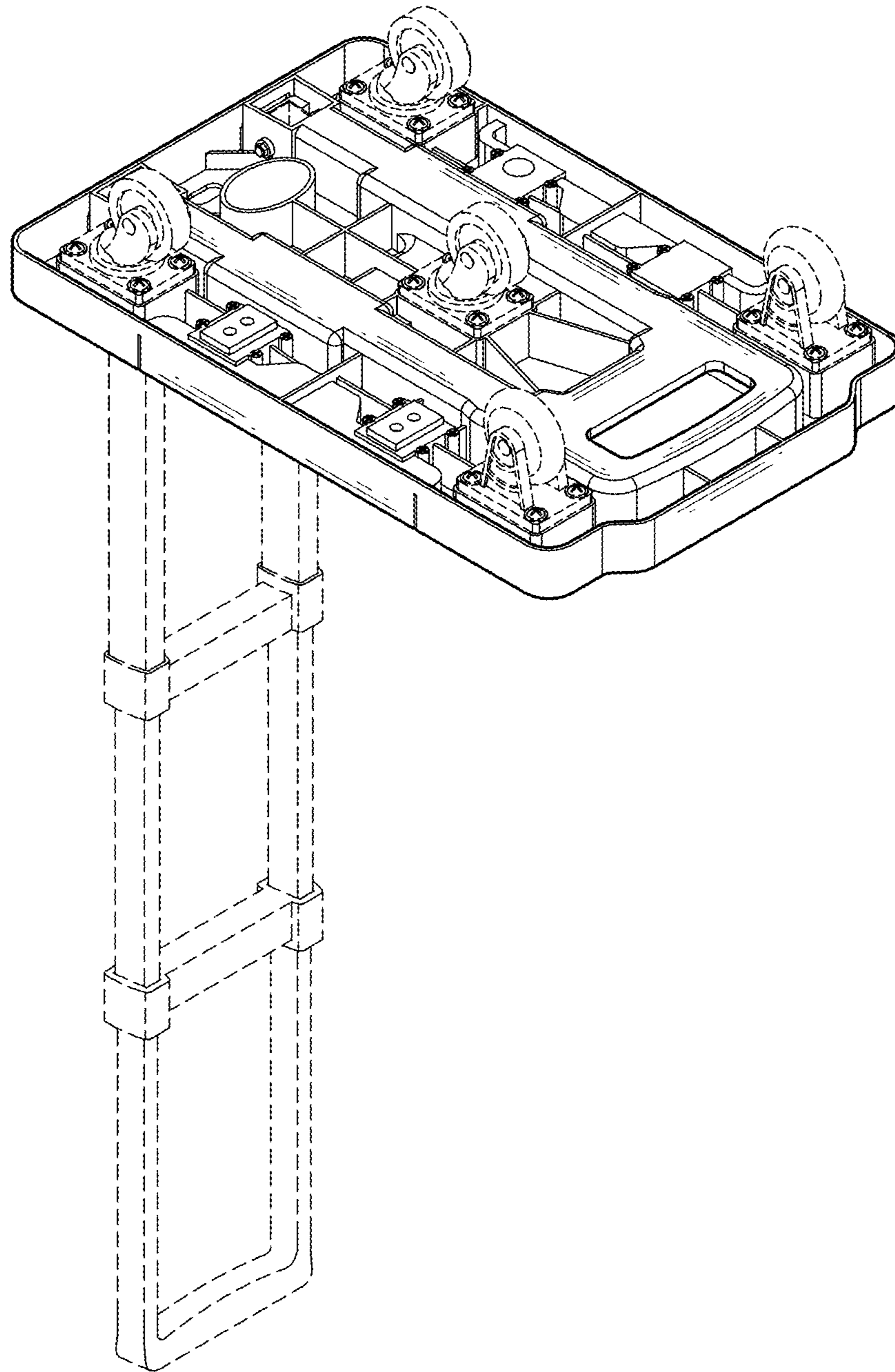


FIG.8

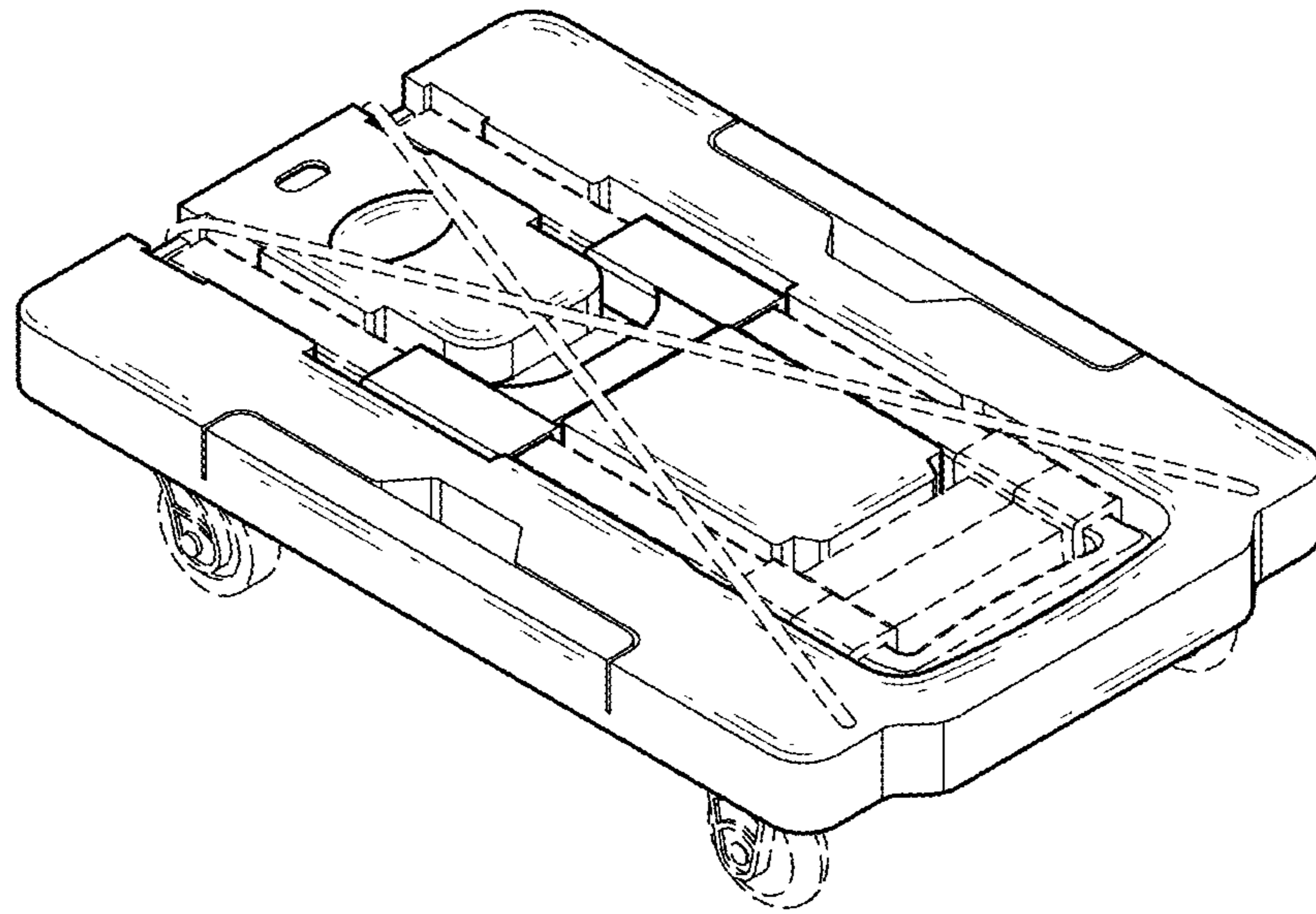


FIG.9