



US00D896460S

(12) **United States Design Patent**
Troyan

(10) **Patent No.:** **US D896,460 S**

(45) **Date of Patent:** **** Sep. 15, 2020**

- (54) **TRASH CAN SHOE**
- (71) Applicant: **Damon Troyan**, Rocky River, OH (US)
- (72) Inventor: **Damon Troyan**, Rocky River, OH (US)
- (73) Assignee: **Nomad Holdings 2, LLC**, Rocky River, OH (US)

(**) Term: **15 Years**

(21) Appl. No.: **29/680,154**

(22) Filed: **Feb. 13, 2019**

(51) **LOC (12) Cl.** **09-09**

(52) **U.S. Cl.**
USPC **D34/11**

(58) **Field of Classification Search**
USPC D34/4, 5, 6, 7, 10, 11, 12, 13, 14;
D6/330, 335, 601, 582, 686; D29/121.1
CPC B65F 1/16; B65F 1/1607; B65F 1/1615;
B65F 1/004; B65F 2003/003; B65D
21/0209; B65D 88/121; B65D 43/02;
Y10S 220/908

See application file for complete search history.

(56) **References Cited**

U.S. PATENT DOCUMENTS

- D599,149 S * 9/2009 White D6/582
- D630,687 S * 1/2011 Meinel D21/662
- D631,276 S * 1/2011 White D6/582

- D691,221 S * 10/2013 Potts D21/680
- D750,183 S * 2/2016 Heath D21/686
- D770,201 S * 11/2016 Dieckhaus D6/582
- D779,000 S * 2/2017 Olson D21/686
- D798,397 S * 9/2017 Bellevue D21/686
- D847,536 S * 5/2019 Patton D6/582
- D879,503 S * 3/2020 Fu D6/582

* cited by examiner

Primary Examiner — George A Bugg

Assistant Examiner — Tamara L Hahn

(74) *Attorney, Agent, or Firm* — FisherBroyles, LLP

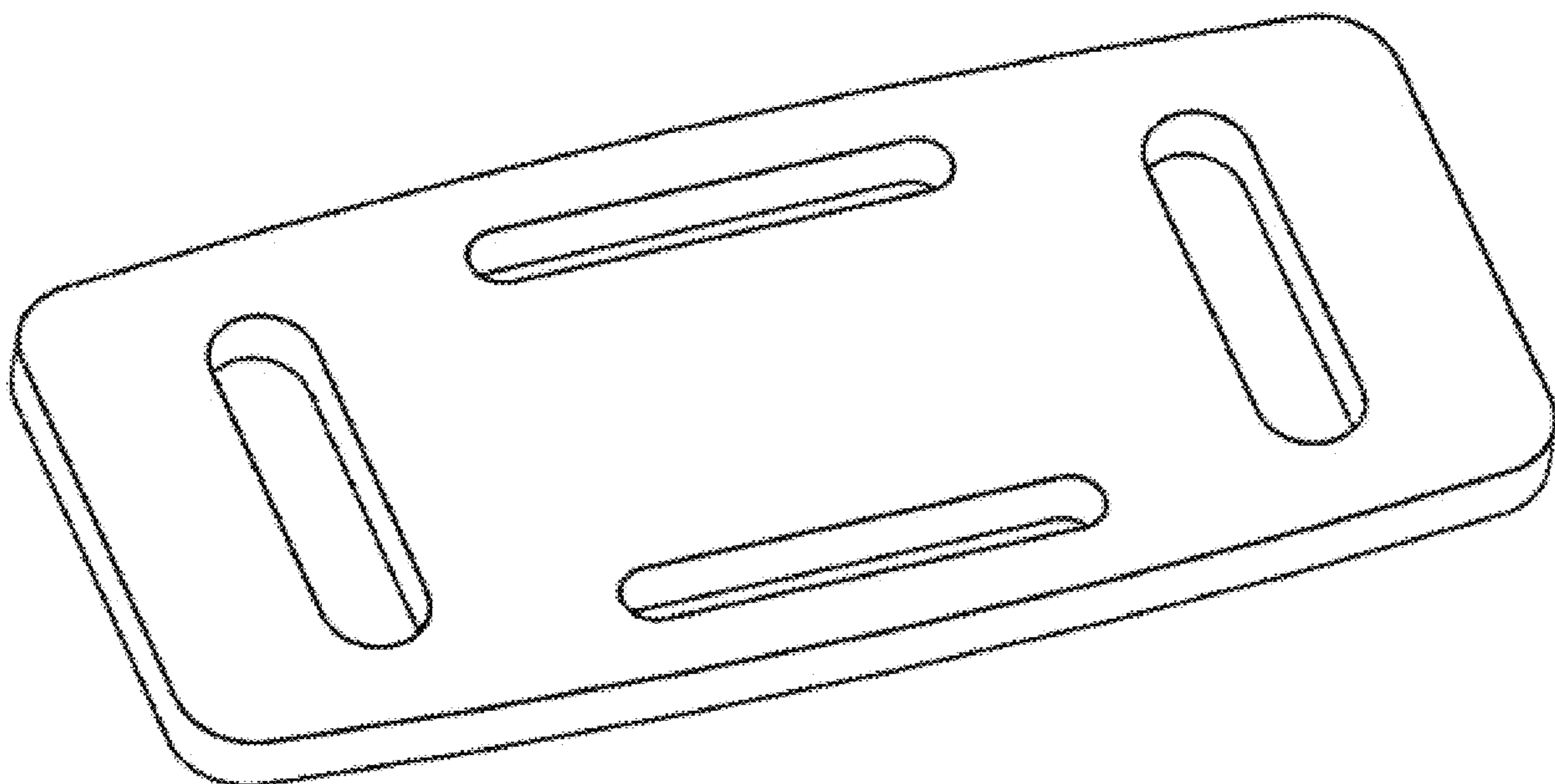
(57) **CLAIM**

The ornamental design for a trash can shoe, as shown and described.

DESCRIPTION

FIG. 1 is a bottom perspective view of a trash can shoe showing the new design.
 FIG. 2 is top plan view thereof, with the bottom view being a mirror image thereof.
 FIG. 3 is a front plan view thereof, with the back view being a mirror image thereof.
 FIG. 4 is a side plan view thereof, with the other side view being a mirror image thereof; and,
 FIG. 5 is a side plan view showing the new design in accordance with the present invention, with a trash can depicted in dashed lines to show the environment of use of the trash can shoe and forms no part of the claimed design.

1 Claim, 3 Drawing Sheets



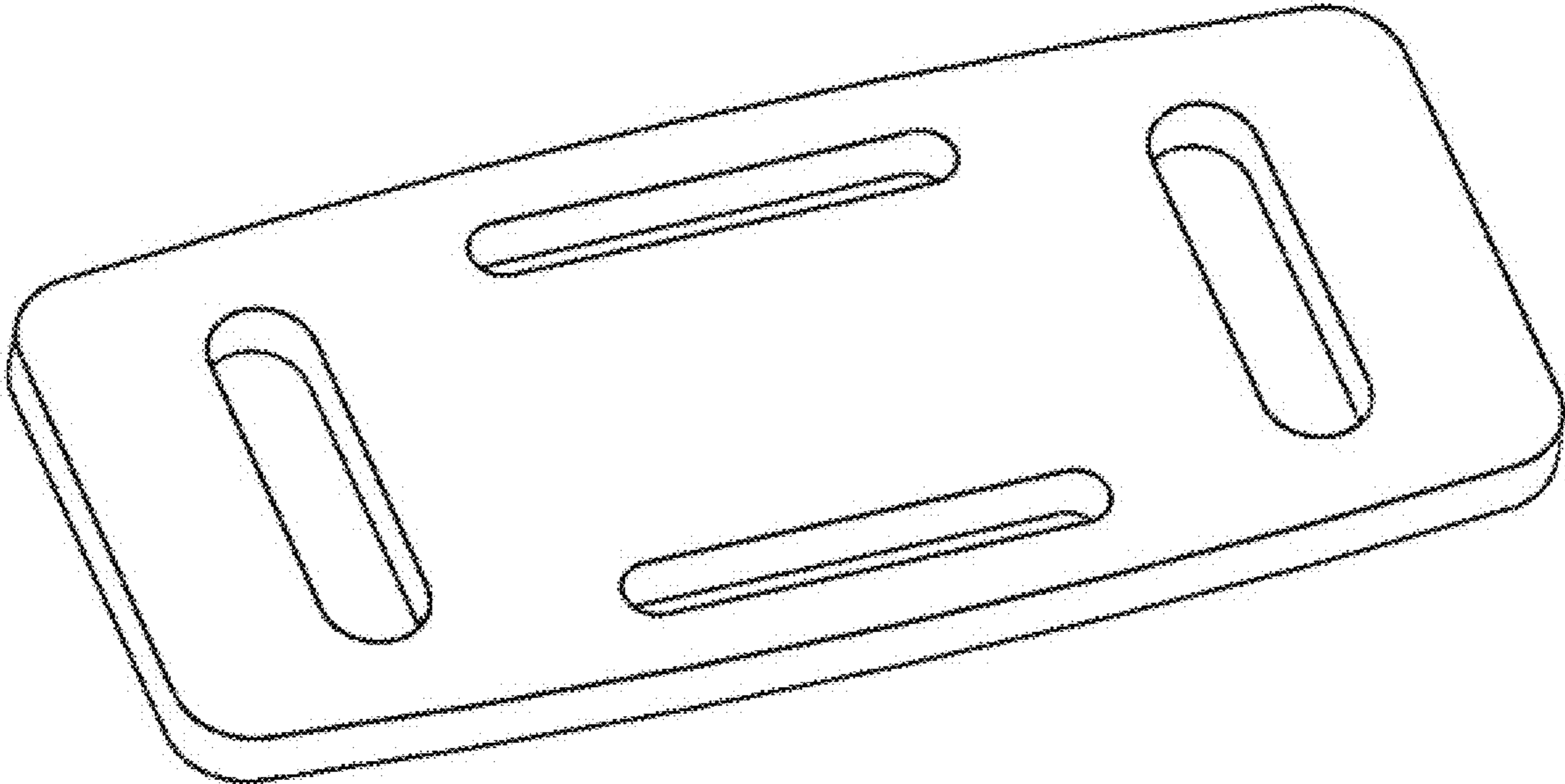


Figure 1

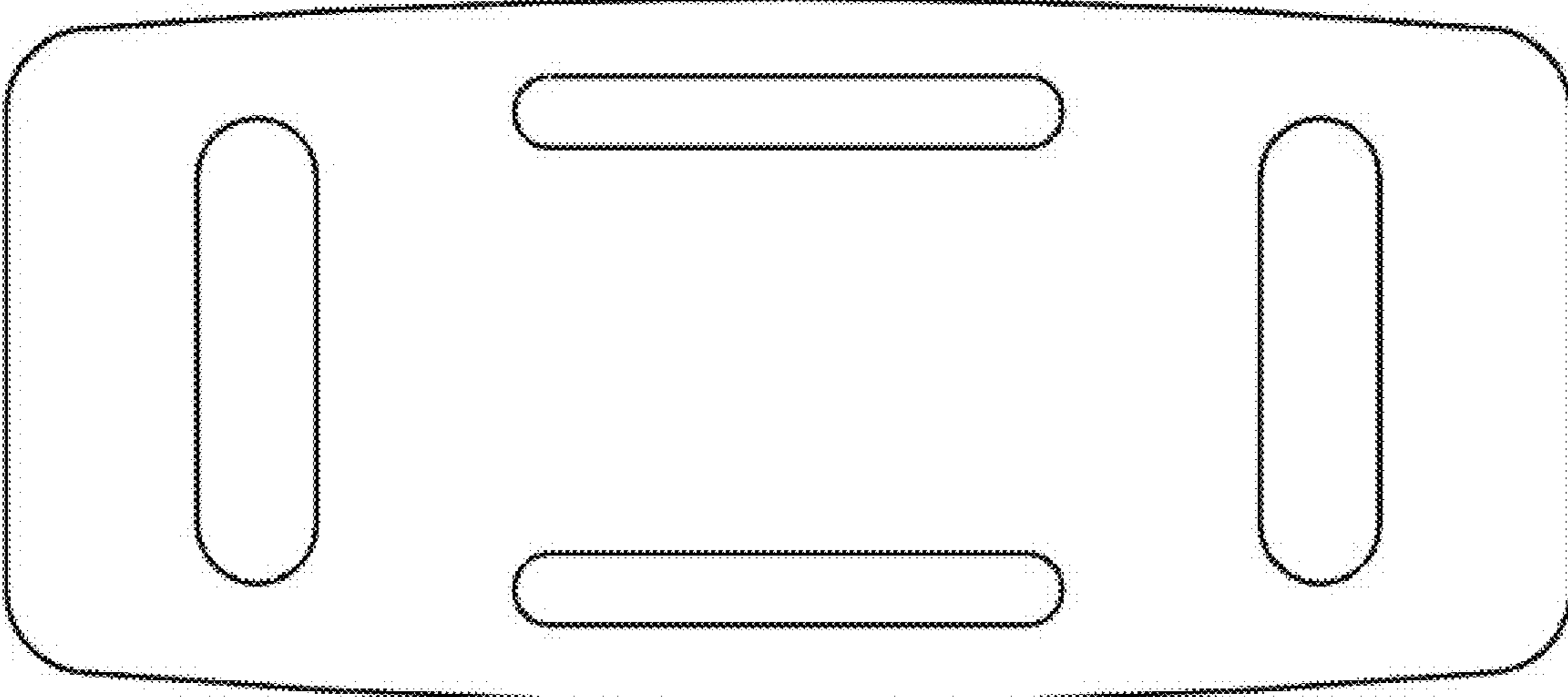


Figure 2



Figure 3



Figure 4

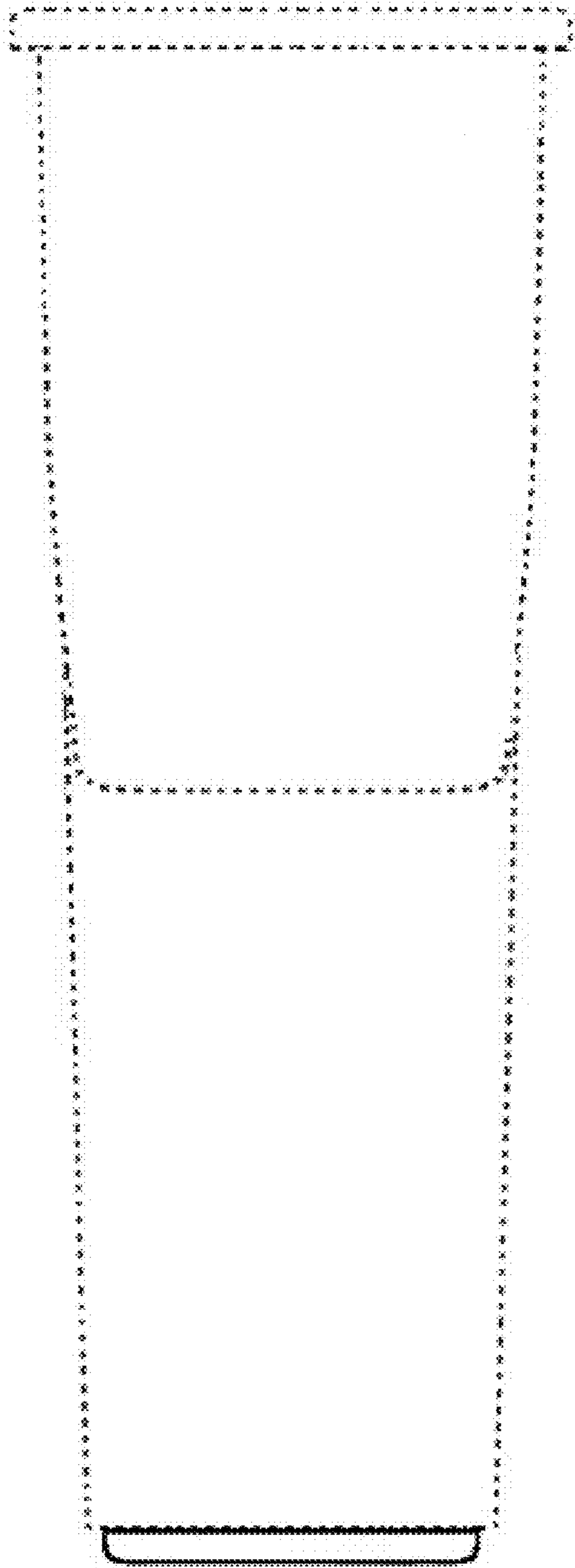


Figure 5