



US00D896459S

(12) **United States Design Patent** (10) **Patent No.:** **US D896,459 S**
Eilmus et al. (45) **Date of Patent:** **** Sep. 15, 2020**

(54) **SINK SHELF**

FOREIGN PATENT DOCUMENTS

(71) Applicant: **Kohler Co.**, Kohler, WI (US)

GB 2370496 6/2005
JP 3004815 11/1994
JP 2013118894 6/2013

(72) Inventors: **Niels J. Eilmus**, Sheboygan, WI (US);
Evan M. Grybush, Port Washington,
WI (US)

OTHER PUBLICATIONS

(73) Assignee: **Kohler Co.**, Kohler, WI (US)

Kohler 21107-ST Farmstead shelf at Wiseway Supply Plumbing,
website 2020, <https://store.wisewaysupply.com/Kentucky/Kohler-21107-ST-Stainless-Steel-Kitchen-Accessory.HTM>, site visited Mar.
13, 2020.*

(**) Term: **15 Years**

(Continued)

(21) Appl. No.: **29/648,434**

Primary Examiner — John R Yeh

(22) Filed: **May 21, 2018**

(74) *Attorney, Agent, or Firm* — Foley & Lardner LLP

(51) **LOC (12) Cl.** **07-05**

(52) **U.S. Cl.**

(57) **CLAIM**

USPC **D32/55**

We claim the ornamental design for a sink shelf, as shown
and described.

(58) **Field of Classification Search**

DESCRIPTION

USPC D32/2-3, 6, 8, 15-17, 25, 29.1, 30-35,
D32/39, 54-56, 58; D6/705.5-6, 566,
D6/675.2, 514

FIG. 1 is a top, front, left perspective view of the claimed
design;

CPC A47L 15/42; A47L 15/48; A47L 15/14;
A47L 15/23; D06F 87/00; B08B 3/12;
A46B 15/00; A47B 55/02; A47B 96/02;
A47J 37/07

FIG. 2 is a top plan view thereof;

See application file for complete search history.

FIG. 3 is a bottom plan view thereof;

FIG. 4 is a front elevation view thereof;

FIG. 5 is a rear elevation view thereof;

FIG. 6 is a right elevation view thereof; and,

FIG. 7 is a left elevation view thereof.

(56) **References Cited**

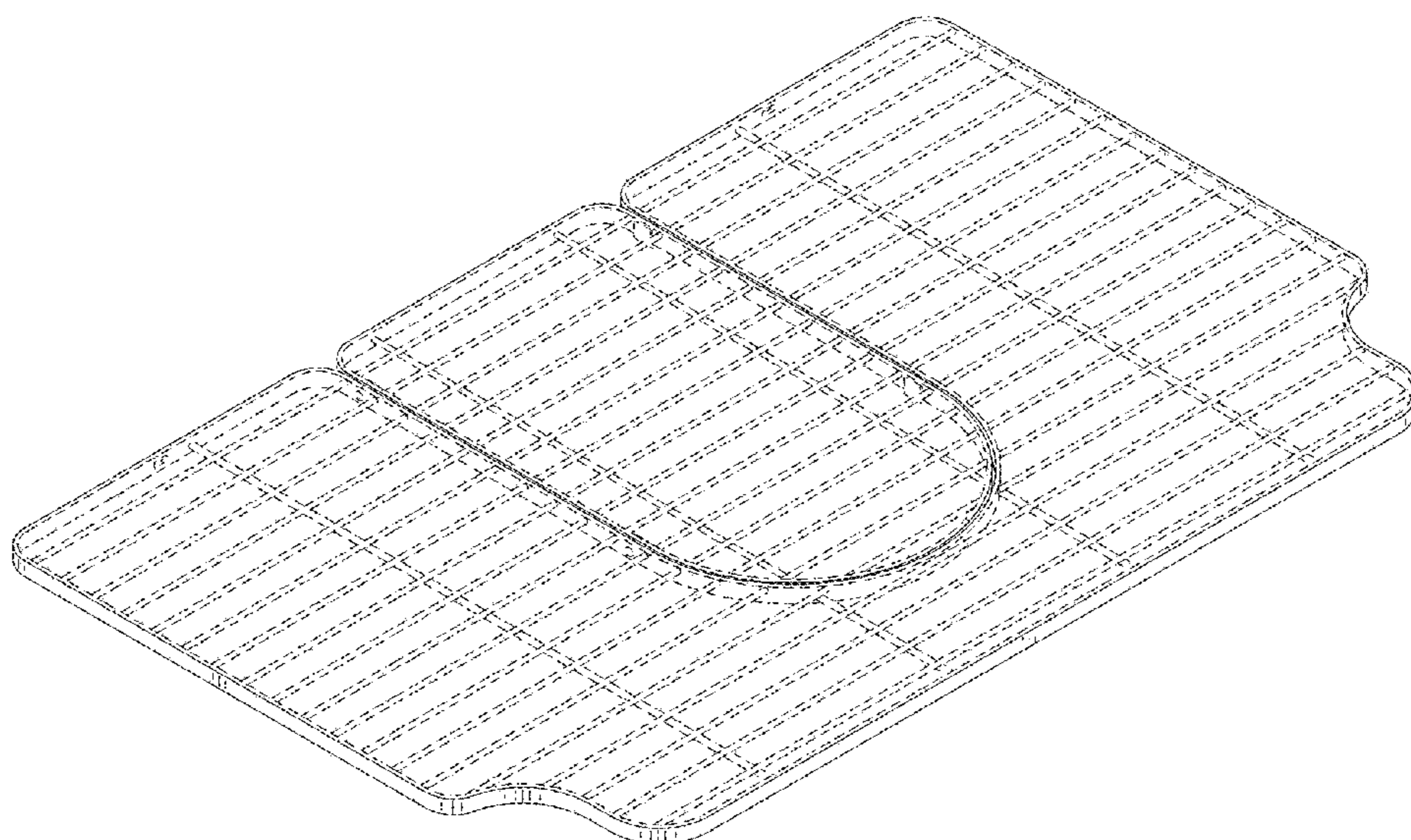
U.S. PATENT DOCUMENTS

D33,465 S * 10/1900 Gavin D32/56
1,576,607 A 3/1926 Hasskarl
1,853,989 A 4/1932 Gottlieb
1,879,888 A 9/1932 Sieber et al.
1,925,371 A * 9/1933 Charter A47B 96/025
211/153
2,262,578 A * 11/1941 Ellis F25D 25/021
211/153
D143,517 S * 1/1946 Whitlock D32/56
D162,432 S * 3/1951 Newman D32/3

The ornamental design which is claimed is shown in solid
lines in the drawings. The broken lines in the drawings are
for illustrative purposes only and form no part of the claimed
design. Broken lines formed by equal length dashes show
unclaimed subject matter. Broken lines formed by unequal
length dashes (i.e., dash-dot) define bounds of the claimed
design. Broken away symbols having a jagged element show
that no particular length of the portion is claimed. Portions
of the claimed design having line shading and stipple
shading define contrasting surfaces.

(Continued)

1 Claim, 4 Drawing Sheets



(56)

References Cited

U.S. PATENT DOCUMENTS

2,564,478 A * 8/1951 Harbison F25D 25/02
211/153
2,994,439 A 8/1961 Kolkey
3,694,046 A 9/1972 Hasso
4,166,413 A * 9/1979 Meszaros A47J 37/0704
126/25 R
4,221,441 A 9/1980 Bain
4,241,963 A 12/1980 Siedel
5,104,080 A * 4/1992 Berger A47J 37/0786
108/152
5,152,595 A 10/1992 Zaccone
D343,322 S * 1/1994 Kay D6/574
D352,195 S * 11/1994 Rogers D6/705.6
5,617,779 A * 4/1997 Dutczak A47J 37/0704
126/25 R
D419,344 S * 1/2000 Greene D6/566
D470,353 S * 2/2003 Mikich D6/513
D481,179 S * 10/2003 Wendt D3/309
D592,897 S * 5/2009 Welsch D6/705.6
D625,482 S * 10/2010 Yang D32/57
D628,856 S 12/2010 Wang
7,878,344 B2 * 2/2011 Martin F24C 15/16
126/337 A
D707,004 S * 6/2014 Levy D32/57
D742,669 S * 11/2015 Chang D6/705.6

9,237,827 B2 * 1/2016 Di Mauro A47J 37/07
9,301,671 B2 4/2016 Gruppen
D761,513 S * 7/2016 Traub D32/56
D821,670 S * 6/2018 Lynch D32/57
D824,628 S * 7/2018 Lynch D32/57
10,334,947 B1 * 7/2019 Eilmus A47B 55/02
2007/0151018 A1 7/2007 Palkon
2008/0047915 A1 * 2/2008 Parks F24C 15/16
211/153
2010/0132111 A1 * 6/2010 Na A47L 15/0086
4/625
2010/0275368 A1 11/2010 Miller et al.
2015/0335155 A1 * 11/2015 Winker A47B 96/02
211/90.02
2016/0338534 A1 * 11/2016 Van Der Westhuizen
A47J 37/07
2019/0099040 A1 * 4/2019 Hopper A47J 37/0694

OTHER PUBLICATIONS

The Container Store; Expandable under sink organizer; Jan. 10, 2018; 2 pgs.
Lynk Professional Roll Out Under Sink Cabinet Organizer; Jan. 10, 2018; 9 pgs.
Simple Houseware Under Sink 2 Tier Expandable Shelf Organizer Rack; Jan. 10, 2018; 7 pages.

* cited by examiner

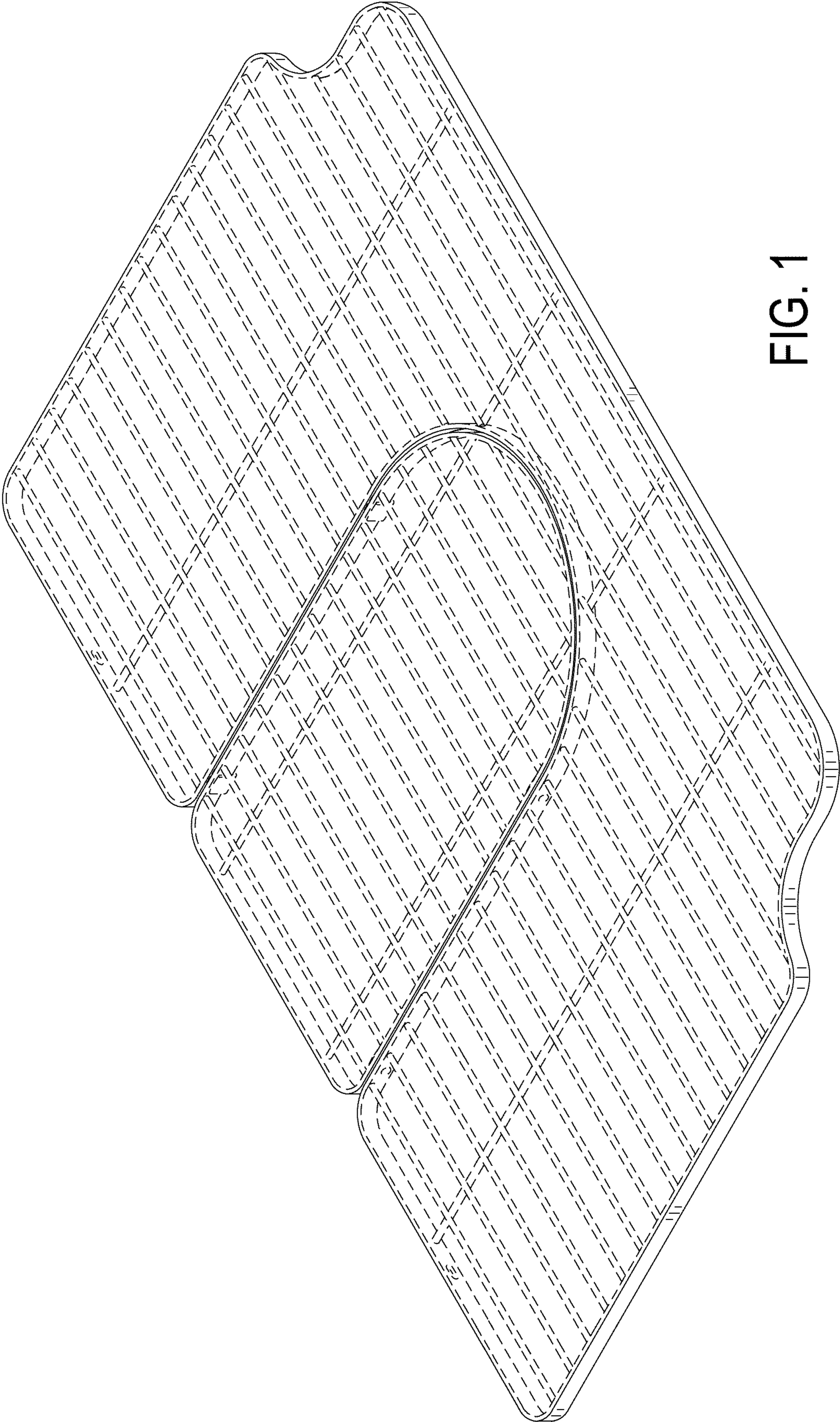


FIG. 1

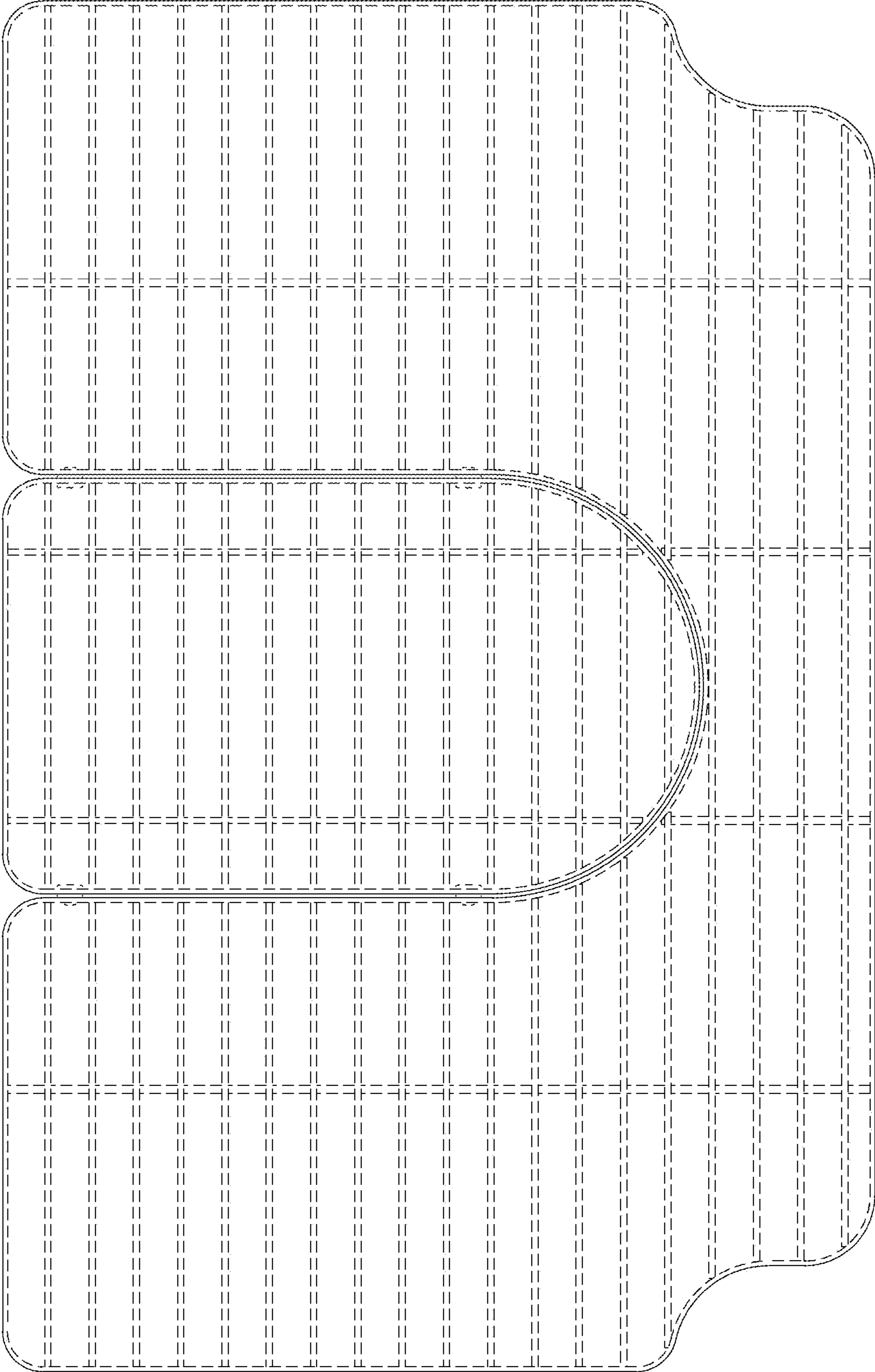


FIG. 2

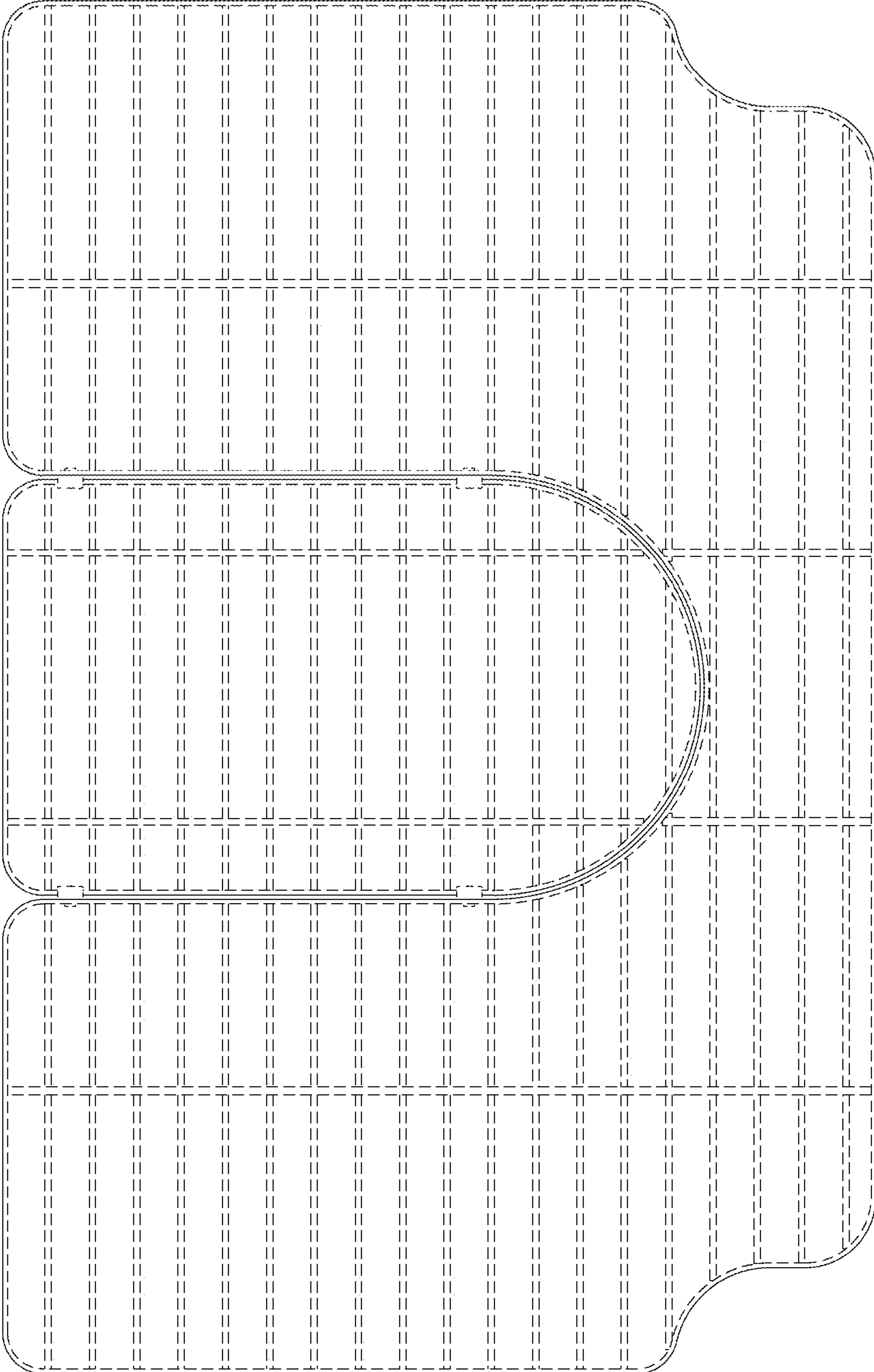


FIG. 3



FIG. 4



FIG. 5

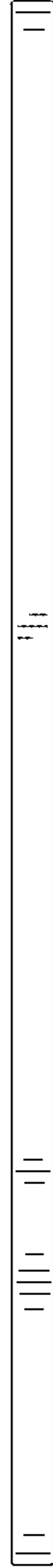


FIG. 6

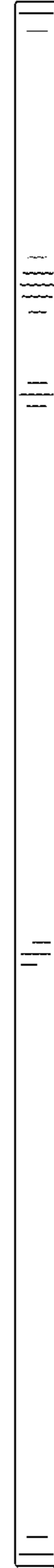


FIG. 7