



US00D896457S

(12) **United States Design Patent**
Shamoon

(10) **Patent No.:** **US D896,457 S**

(45) **Date of Patent:** **** Sep. 15, 2020**

(54) **HAND HELD SCRUBBING DEVICE**

(71) Applicant: **Ellis N. Shamoon**, Dallas, TX (US)

(72) Inventor: **Ellis N. Shamoon**, Dallas, TX (US)

(**) Term: **15 Years**

(21) Appl. No.: **29/654,392**

(22) Filed: **Jun. 22, 2018**

(51) **LOC (12) Cl.** **07-05**

(52) **U.S. Cl.**
USPC **D32/40**

(58) **Field of Classification Search**
USPC D7/678; D32/40, 43, 45–46, 50–52, 14;
D8/47, 82–86, 90; D21/449; D14/230;
D9/429, 434
CPC A47L 13/255; A47L 13/20; A63H 27/00;
B08B 9/045
See application file for complete search history.

(56) **References Cited**

U.S. PATENT DOCUMENTS

- 1,678,962 A * 7/1928 Stark A47L 13/022
401/201
- D190,167 S * 4/1961 Perkovich D32/52
- D228,250 S * 8/1973 Young D32/40
- D272,324 S * 1/1984 Mumford D9/452
- D333,762 S * 3/1993 Herren D7/678
- D396,638 S * 8/1998 Demarest D9/445
- D429,136 S * 8/2000 Ali D8/90
- D436,862 S * 1/2001 Witt D9/438
- D478,254 S * 8/2003 Chau D7/678
- D478,351 S * 8/2003 Belton D19/187
- D499,852 S * 12/2004 Trunecek D32/46
- D506,587 S * 6/2005 Armaly, Jr. A47L 13/16
D28/63
- D527,240 S * 8/2006 Kirschhoffer D8/90
- D528,862 S * 9/2006 Li D7/510
- D577,561 S * 9/2008 Ali D8/90
- D578,262 S * 10/2008 Trotter D32/52
- D583,156 S * 12/2008 Constantine D4/137
- D630,093 S * 1/2011 Bardet D9/438

- D638,127 S * 5/2011 Khouri A61C 3/06
D24/152
- D685,548 S * 7/2013 Wong D32/40
- D686,871 S * 7/2013 Lane D7/392.1
- D695,478 S * 12/2013 Hobe D32/40
- D744,760 S * 12/2015 Harrington D4/138

(Continued)

FOREIGN PATENT DOCUMENTS

GB 3016204 * 5/2004

OTHER PUBLICATIONS

Amazon.com: Mr.Siga Soap Dispensing Kitchen Brush, reviews 2019, <https://www.amazon.com/...TAzMDcyOUdKQIY3TFVRNDZBJndpZGdIdE5hbWU9c3BfZGV0YWIsMiZhY3Rpb249Y2xpY2tSZWRpcmVjdCZkb05vdExvZ0NsaWNrPXRydWU&th=1> site visited Dec. 21, 2019.*

(Continued)

Primary Examiner — John R Yeh
(74) *Attorney, Agent, or Firm* — Daniel V. Thompson

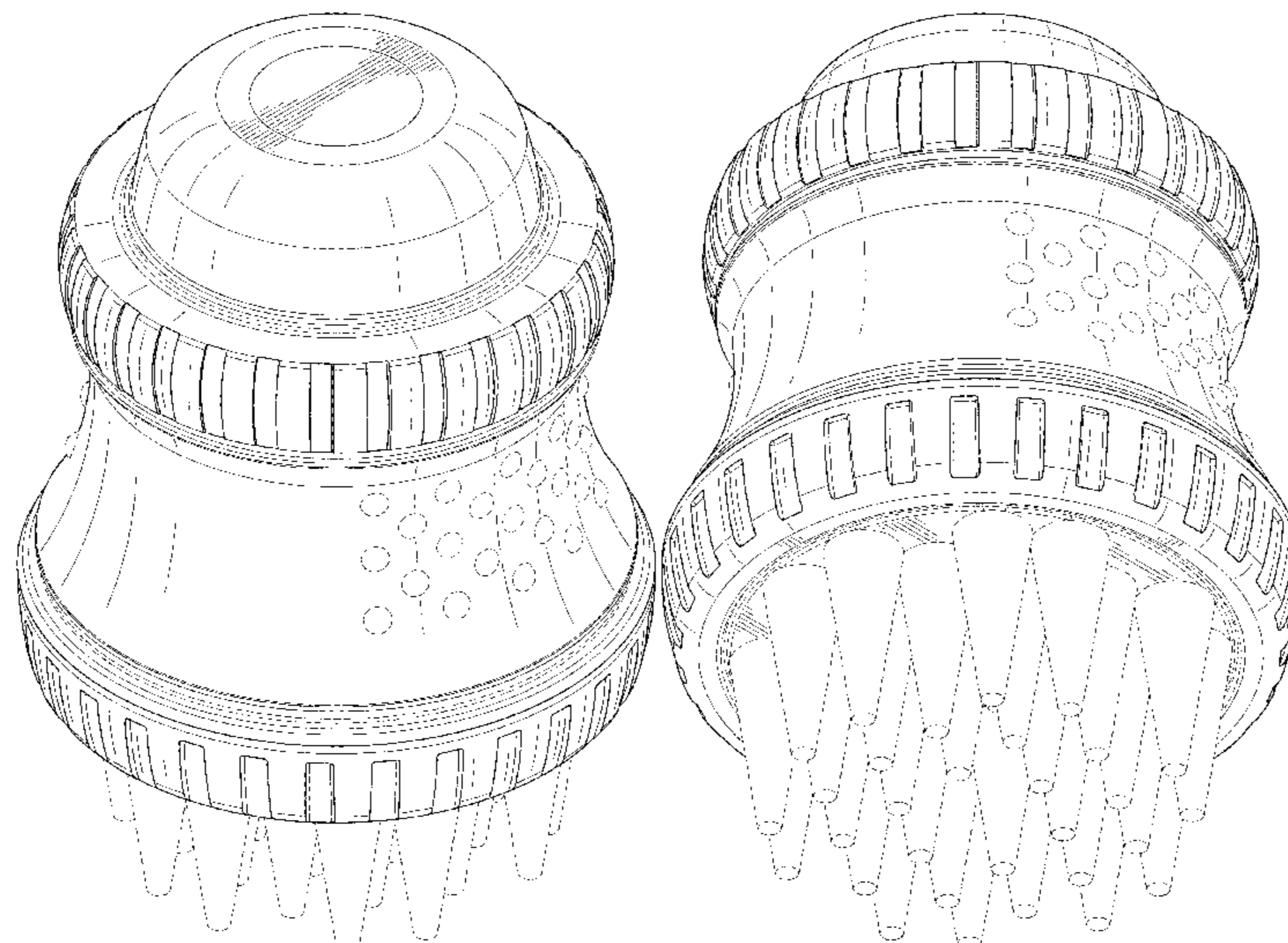
(57) **CLAIM**

The ornamental design for a hand held scrubbing device, as shown and described.

DESCRIPTION

FIG. 1 is a top-facing perspective view of the hand held scrubbing device showing my new design; FIG. 2 is a front elevational view thereof, the rear elevational view being a mirror image thereof; FIG. 3 is a right-side elevational view thereof, the left-side elevational view being a mirror image thereof; FIG. 4 is a top plan view thereof; FIG. 5 is a bottom plan view thereof; and, FIG. 6 is a bottom-facing perspective view thereof. The broken lines in the figures depict portions of the hand held scrubbing device that form no part of the claimed design.

1 Claim, 6 Drawing Sheets



(56)

References Cited

U.S. PATENT DOCUMENTS

D799,126 S 10/2017 Shamoon
D801,607 S * 10/2017 Donald D32/40
D803,650 S * 11/2017 Umbrell D8/70
D805,268 S * 12/2017 Ishibashi D32/40
D810,198 S * 2/2018 Azar D19/90
D814,854 S * 4/2018 Melanson D7/391
D822,926 S * 7/2018 Ishibashi D32/40
D859,152 S * 9/2019 Suzuki D9/447
2005/0011467 A1* 1/2005 Mulich A01K 13/001
119/651
2013/0306630 A1* 11/2013 Babinsky B65D 81/3869
220/62.12

OTHER PUBLICATIONS

Amazon.com: Redecker Natural Fiber Bristle Pot Brush, reviews
2017, <https://www.amazon.com/REDECKER-Natural-Untreated-Beechwood-Heat-Resistant/dp> . . . site visited Dec. 21, 2019.*

Ebay, "Dish Brush with Washing Up Liquid Soap Dispenser Kitchen
Utensil Pot Clean Brush," screen shot, on sale in USA prior to Jun.
2017.

* cited by examiner

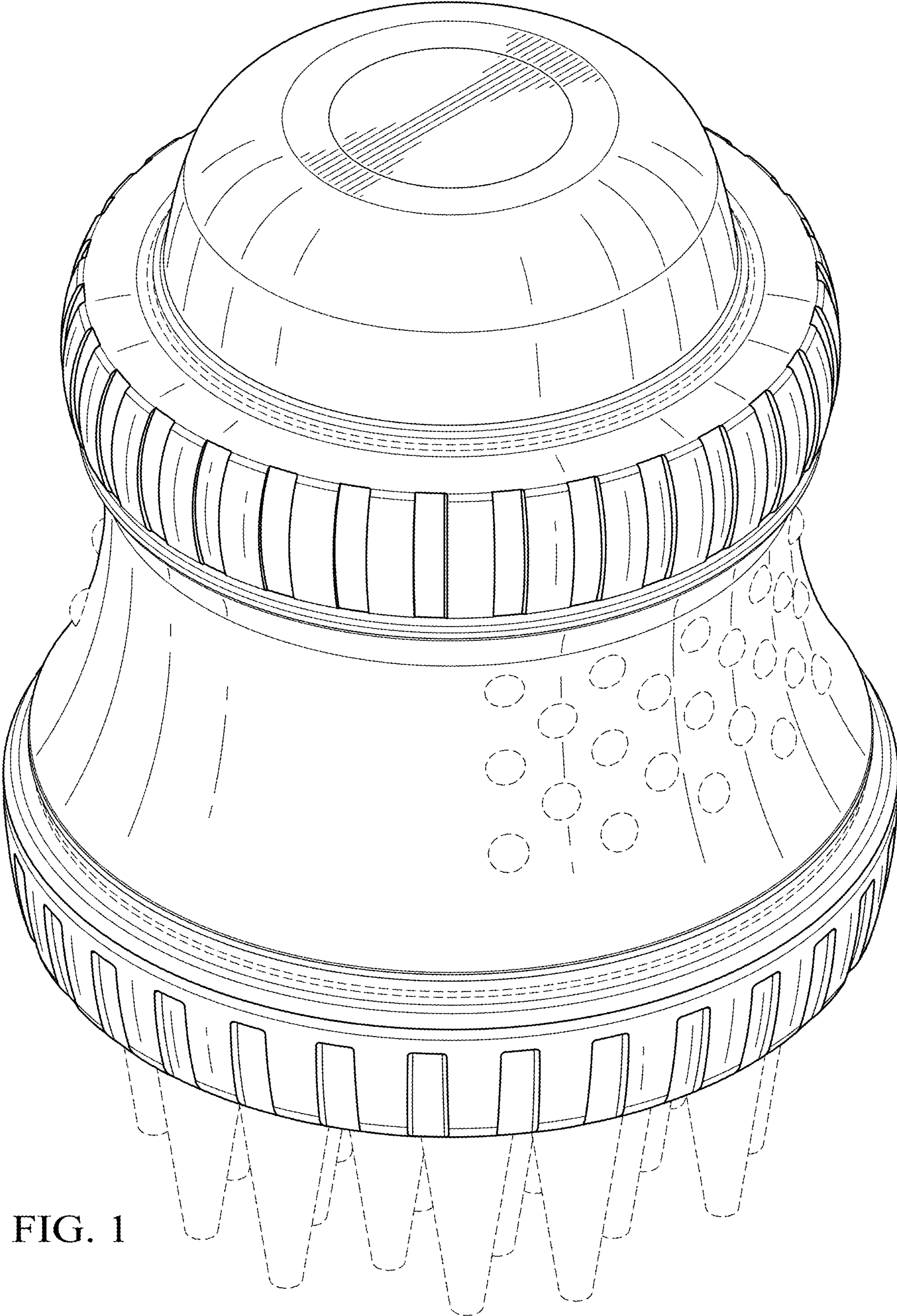


FIG. 1

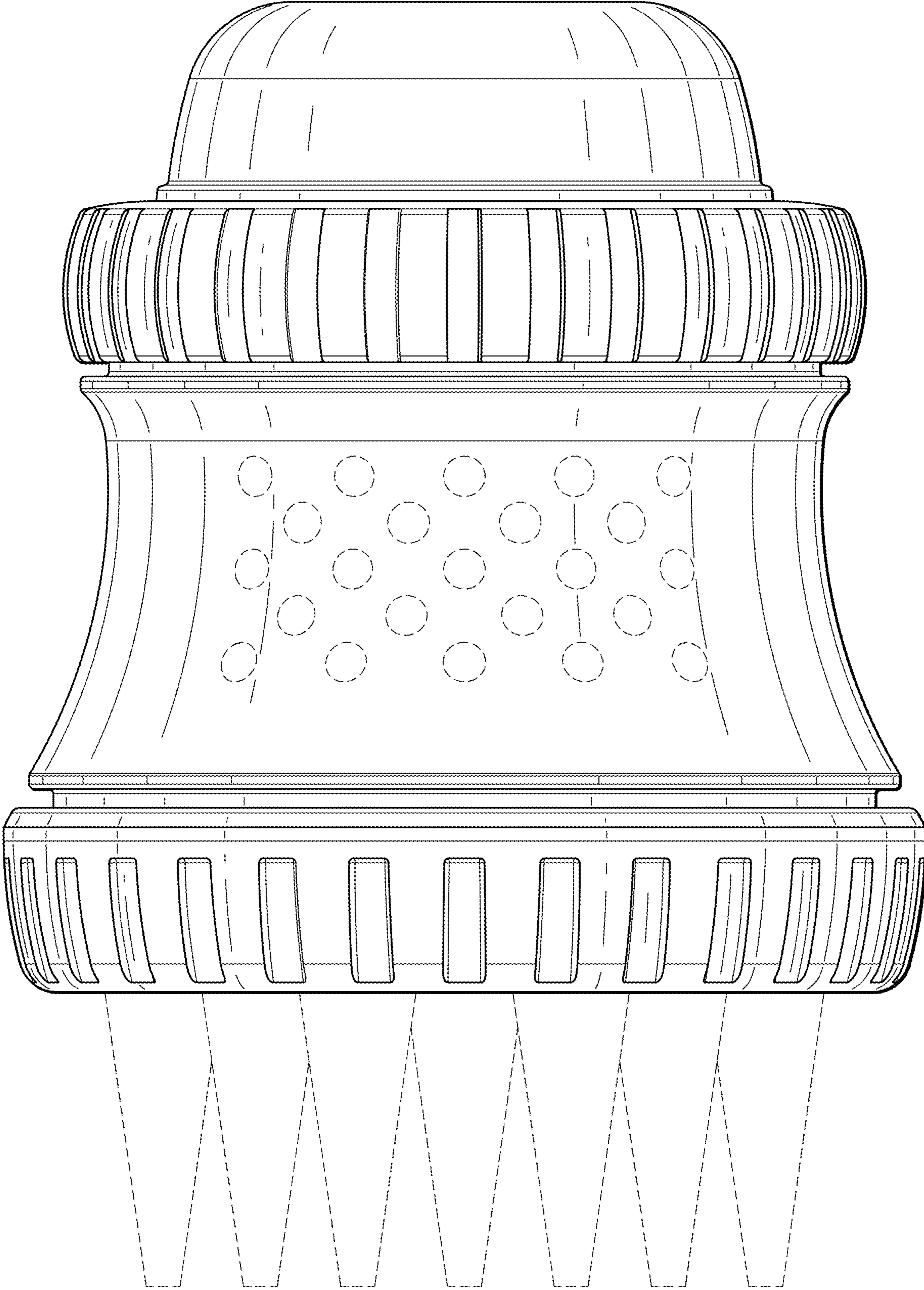


FIG. 2

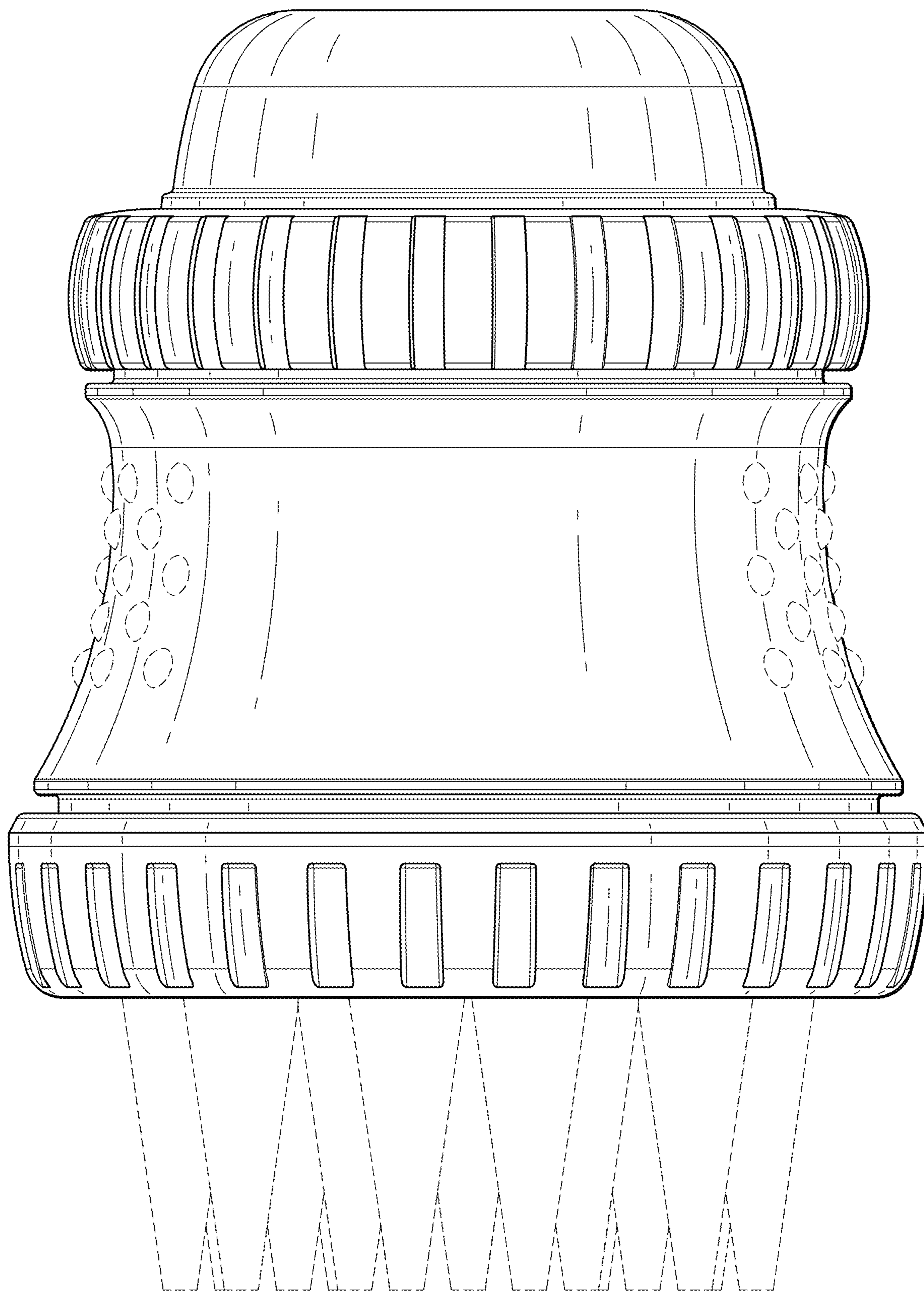


FIG. 3

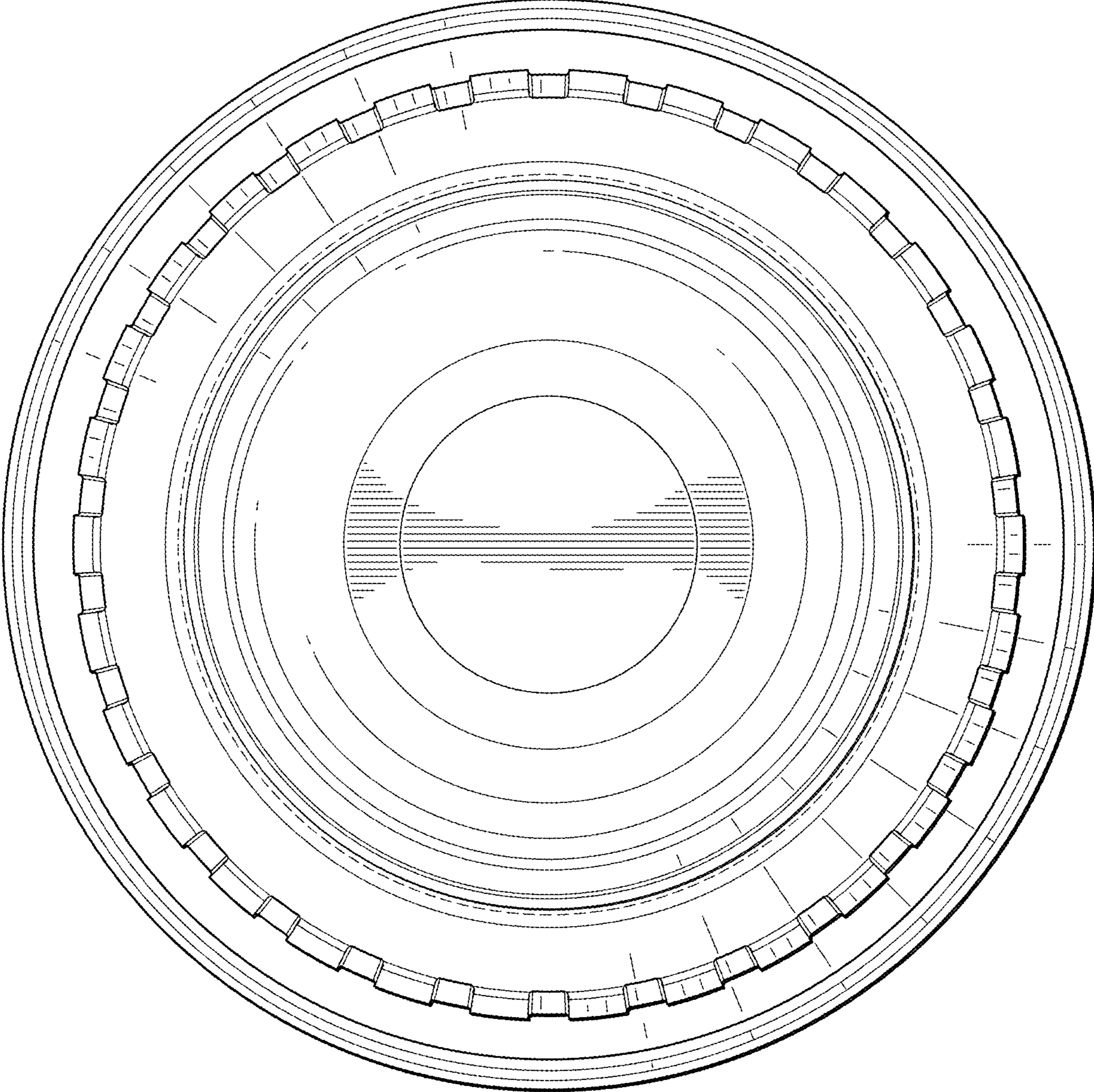


FIG. 4

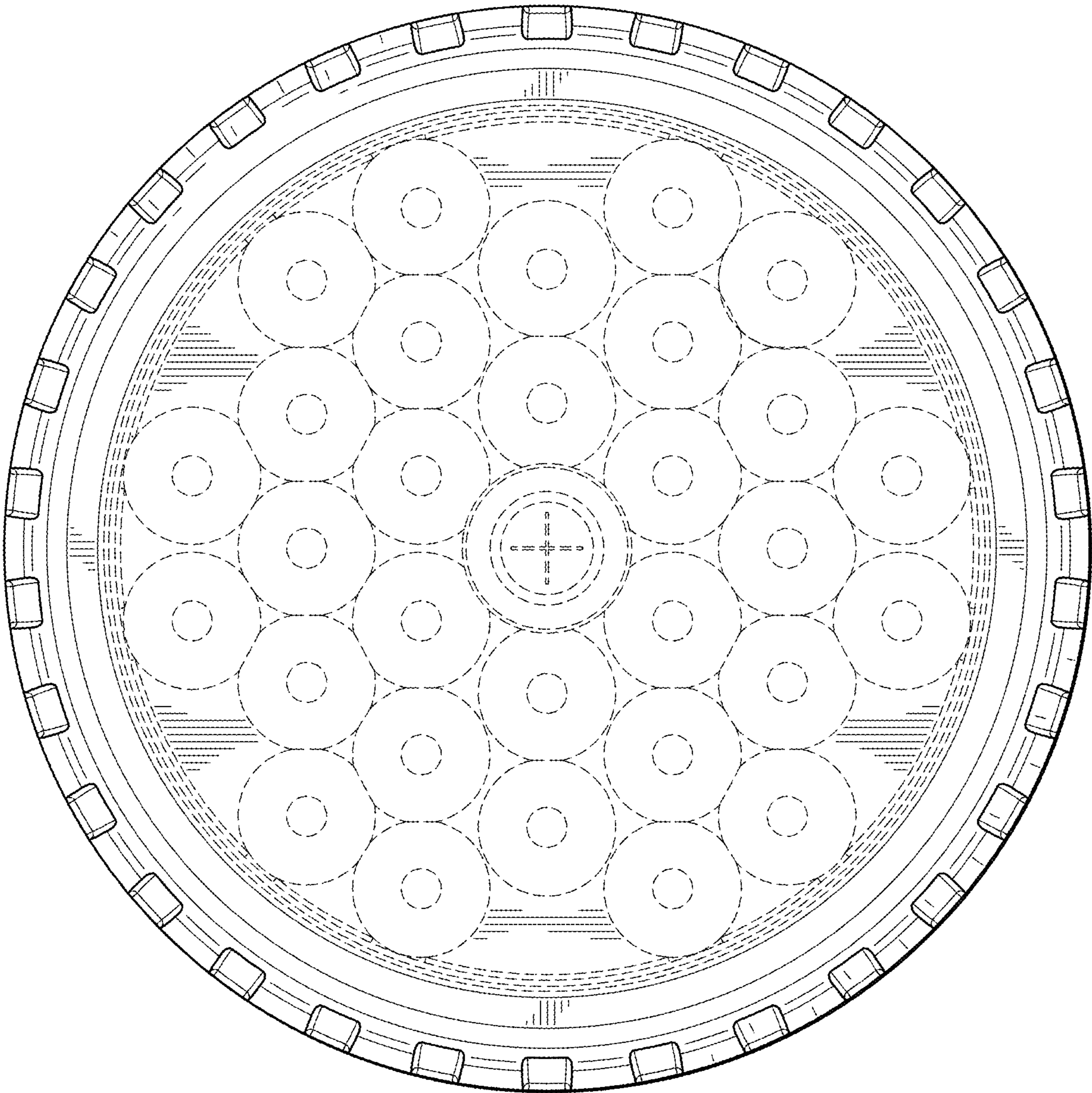


FIG. 5

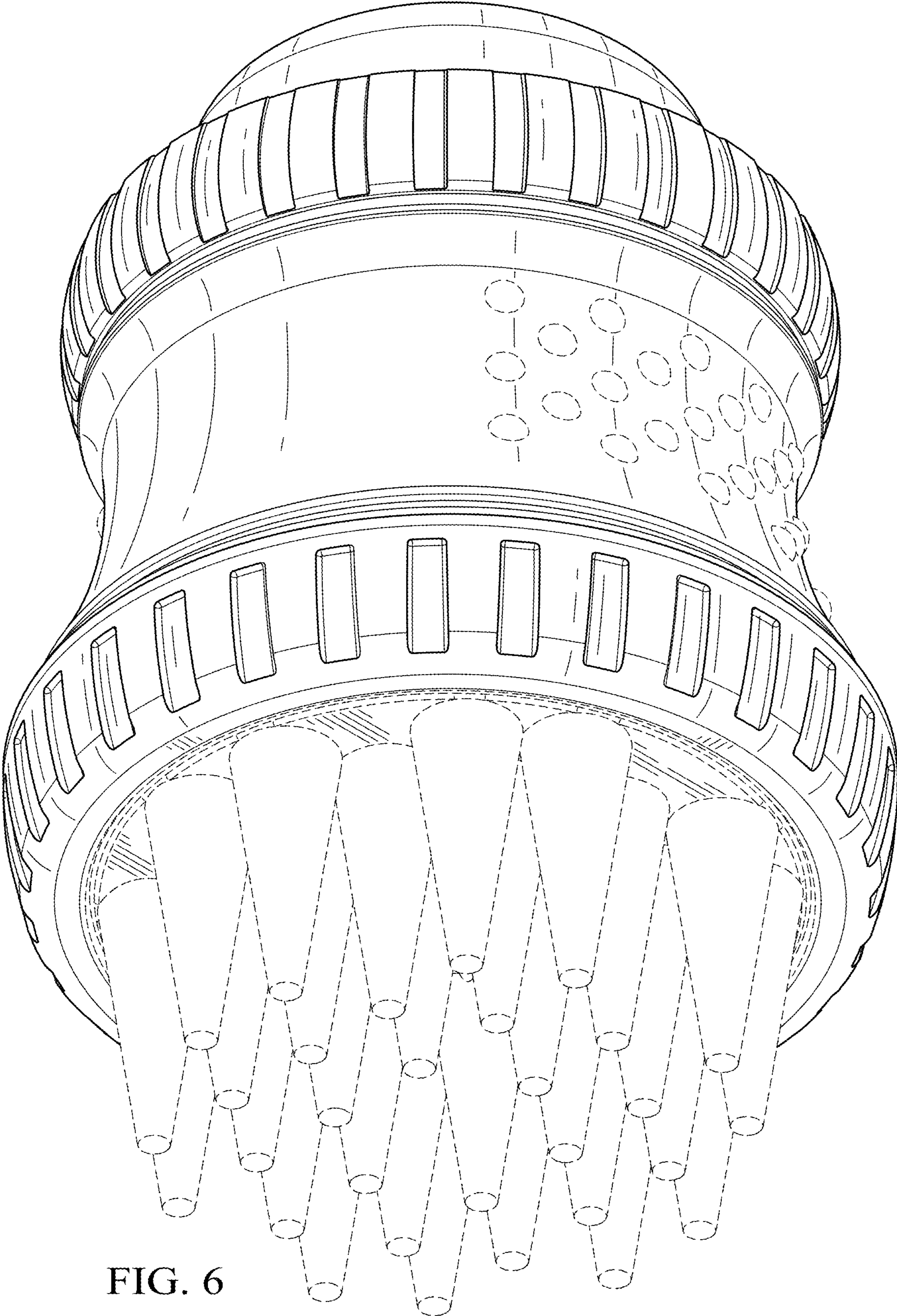


FIG. 6