



US00D896454S

(12) **United States Design Patent** (10) **Patent No.:** **US D896,454 S**  
**No et al.** (45) **Date of Patent:** **\*\* Sep. 15, 2020**

(54) **WASHING MACHINE**

(71) Applicant: **LG ELECTRONICS INC.**, Seoul (KR)

(72) Inventors: **Yanhwan No**, Seoul (KR); **Minkyu Oh**, Seoul (KR); **Seongwoo An**, Seoul (KR); **Yongnam Kim**, Seoul (KR)

(73) Assignee: **LG ELECTRONICS INC.**, Seoul (KR)

(\*\*) Term: **15 Years**

(21) Appl. No.: **35/507,439**

(22) Filed: **Nov. 22, 2018**

(80) **Hague Agreement Data**

Int. Filing Date: **Nov. 22, 2018**

Int. Reg. No.: **DM/202710**

Int. Reg. Date: **Nov. 22, 2018**

Int. Reg. Pub. Date: **Sep. 13, 2019**

(30) **Foreign Application Priority Data**

May 28, 2018 (KR) ..... 30-2018-0024698

(51) **LOC (12) Cl.** ..... **15-05**

(52) **U.S. Cl.**  
USPC ..... **D32/6**

(58) **Field of Classification Search**

USPC ..... D32/1, 5, 6, 8, 10, 25, 28, 29, 29.1

CPC ..... D06F 33/02; D06F 37/22; D06F 39/02; D06F 2058/2864; D06F 2058/287; D06F 2204/086; D06F 35/006; D06F 37/265; D06F 37/268; D06F 58/206; D06F 58/28; D06F 13/00; D06F 13/02; D06F 17/06; D06F 17/10; D06F 2202/085; D06F 2202/10; D06F 2202/12; D06F 2204/04; D06F 2204/065; D06F 2204/082; D06F 2220/00; D06F 23/04; D06F 25/00; D06F 29/005; D06F 37/02; D06F 37/04; D06F

37/14; D06F 37/203; D06F 37/206; D06F 37/225; D06F 37/24; D06F 37/267; D06F 37/28; D06F 37/36; D06F 37/40; D06F 39/005; D06F 39/006; D06F 39/007; D06F 39/024; D06F 39/12; D06F 39/14; D06F 58/20

See application file for complete search history.

(56) **References Cited**

**U.S. PATENT DOCUMENTS**

D139,126	S	*	10/1944	Gerhardt	.....	D32/6
D153,921	S	*	5/1949	Boldt	.....	D32/6
D178,004	S	*	6/1956	Nadhery	.....	D32/6
D476,782	S	*	7/2003	Huddleston	.....	D32/6
D688,013	S	*	8/2013	Kim	.....	D32/6
D764,723	S	*	8/2016	Jo	.....	D32/6
D781,510	S	*	3/2017	Glassman	.....	D32/6
D825,868	S	*	8/2018	Chung	.....	D32/6
D838,063	S	*	1/2019	Ha	.....	D32/6
D838,419	S	*	1/2019	Ha	.....	D32/6

(Continued)

*Primary Examiner* — Khawaja Anwar

(74) *Attorney, Agent, or Firm* — Birch, Stewart, Kolasch & Birch, LLP

(57) **CLAIM**

The ornamental design for washing machine, as shown and described.

**DESCRIPTION**

1. Washing machine

**1.1** : Perspective

**1.2** : Front

**1.3** : Back

**1.4** : Left

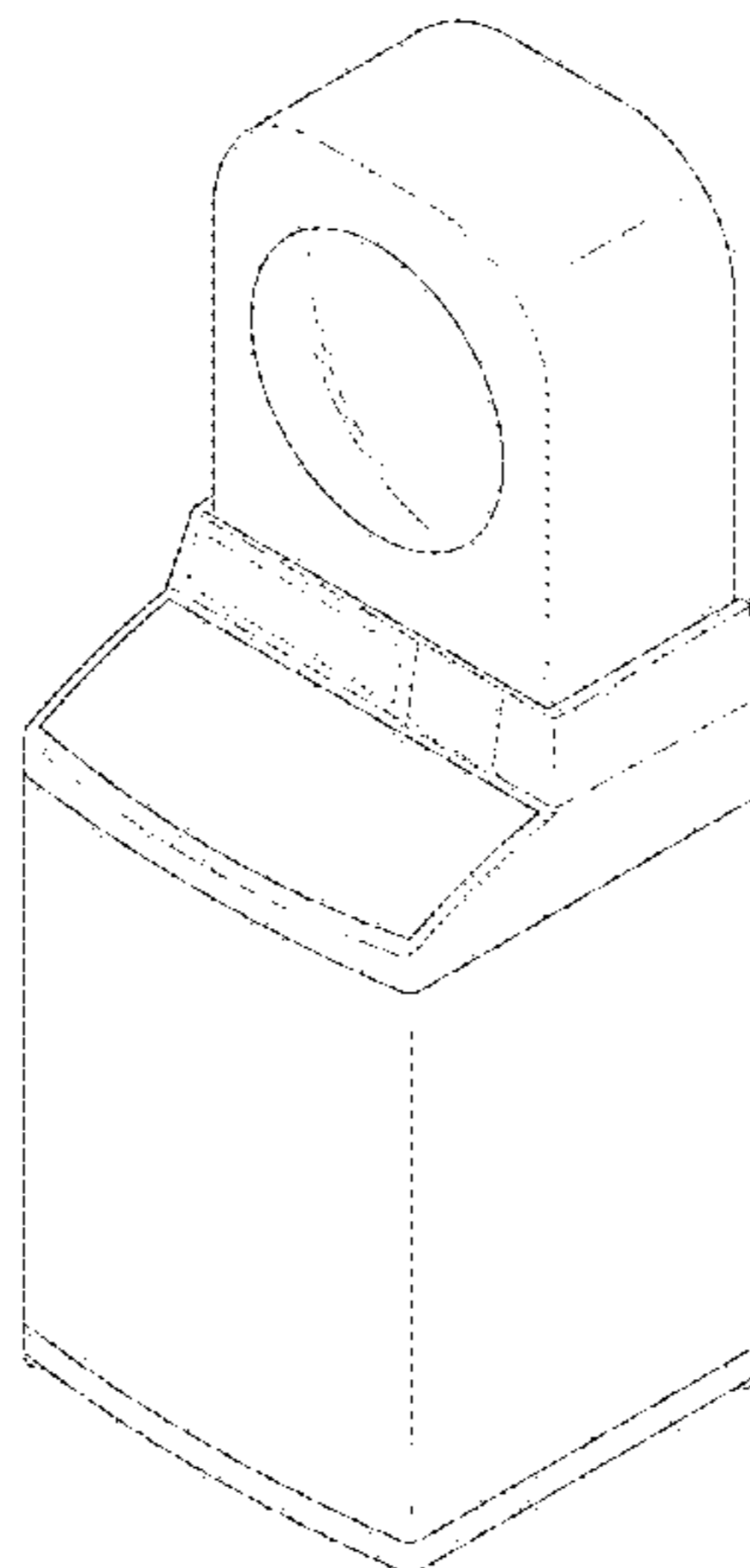
**1.5** : Right

**1.6** : Top

**1.7** : Bottom

The broken lines indicate portions of the article that form no part of the claimed design.

**1 Claim, 7 Drawing Sheets**



(56)

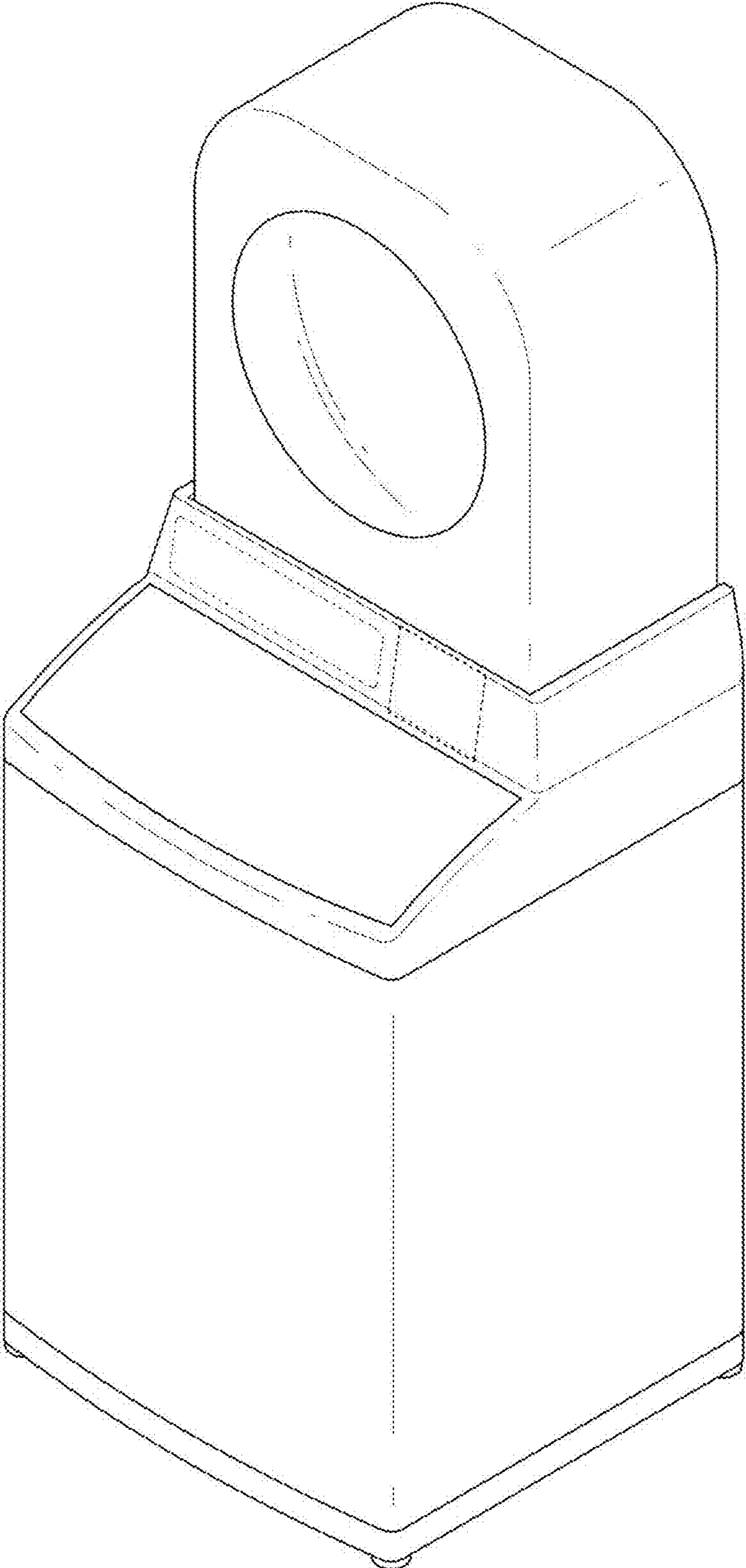
**References Cited**

U.S. PATENT DOCUMENTS

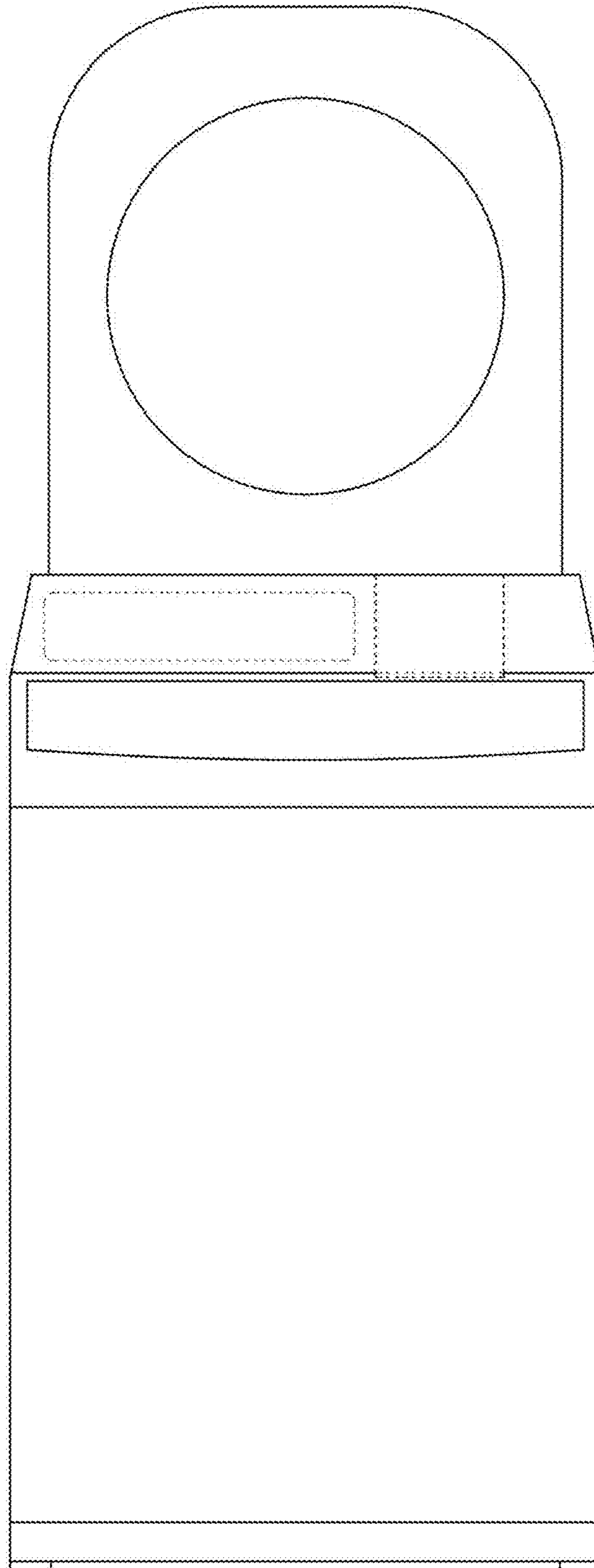
D839,504 S \* 1/2019 Ha ..... D32/6  
D867,693 S \* 11/2019 Wang ..... D32/6

\* cited by examiner

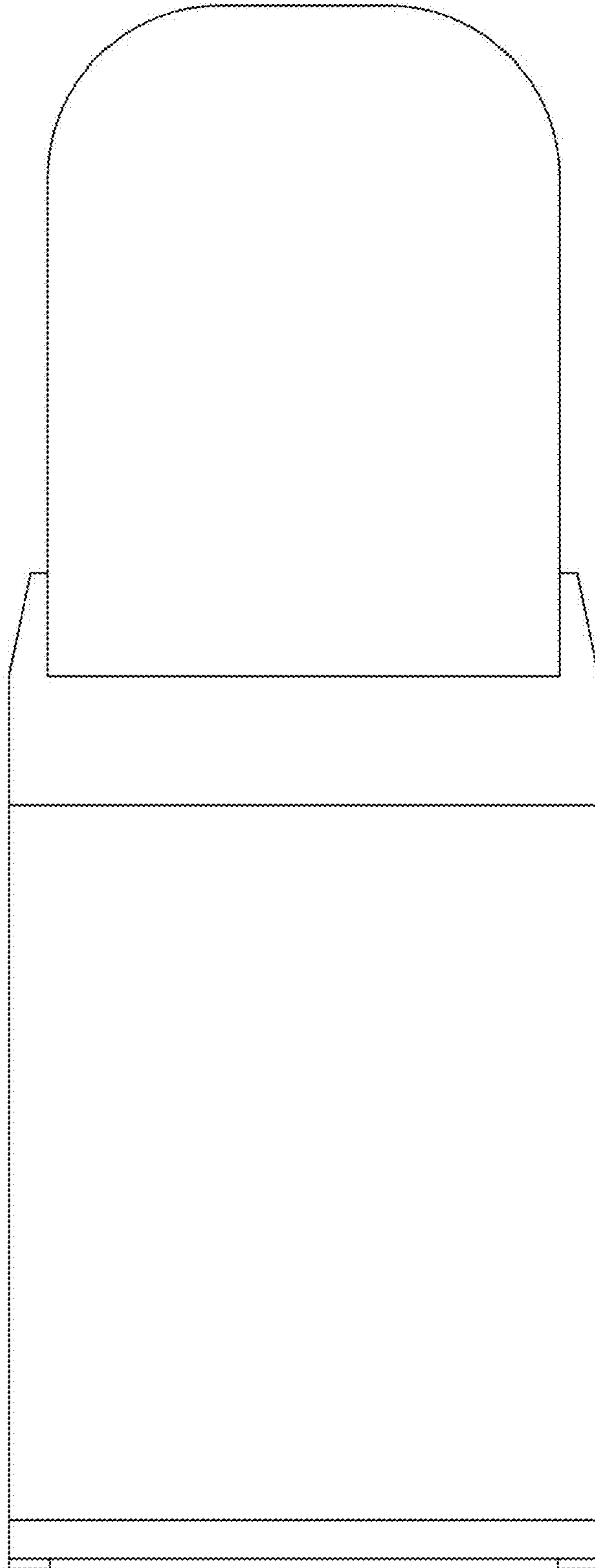
1.1



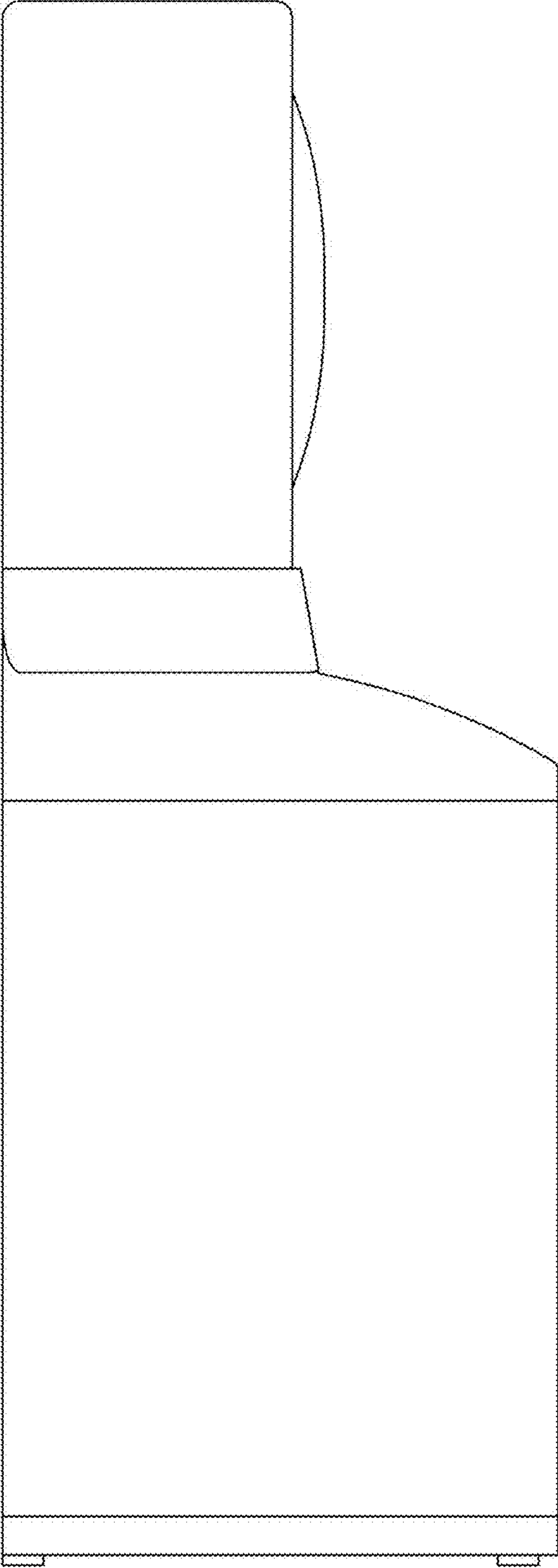
1.2



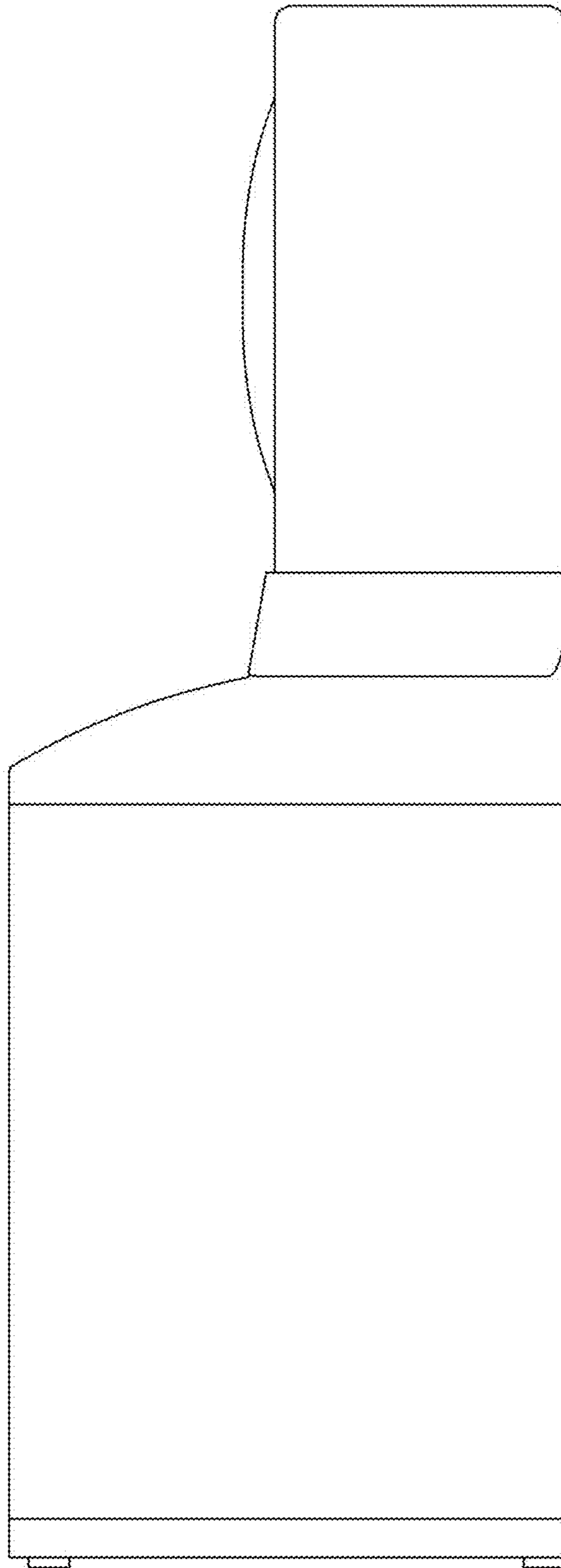
1.3



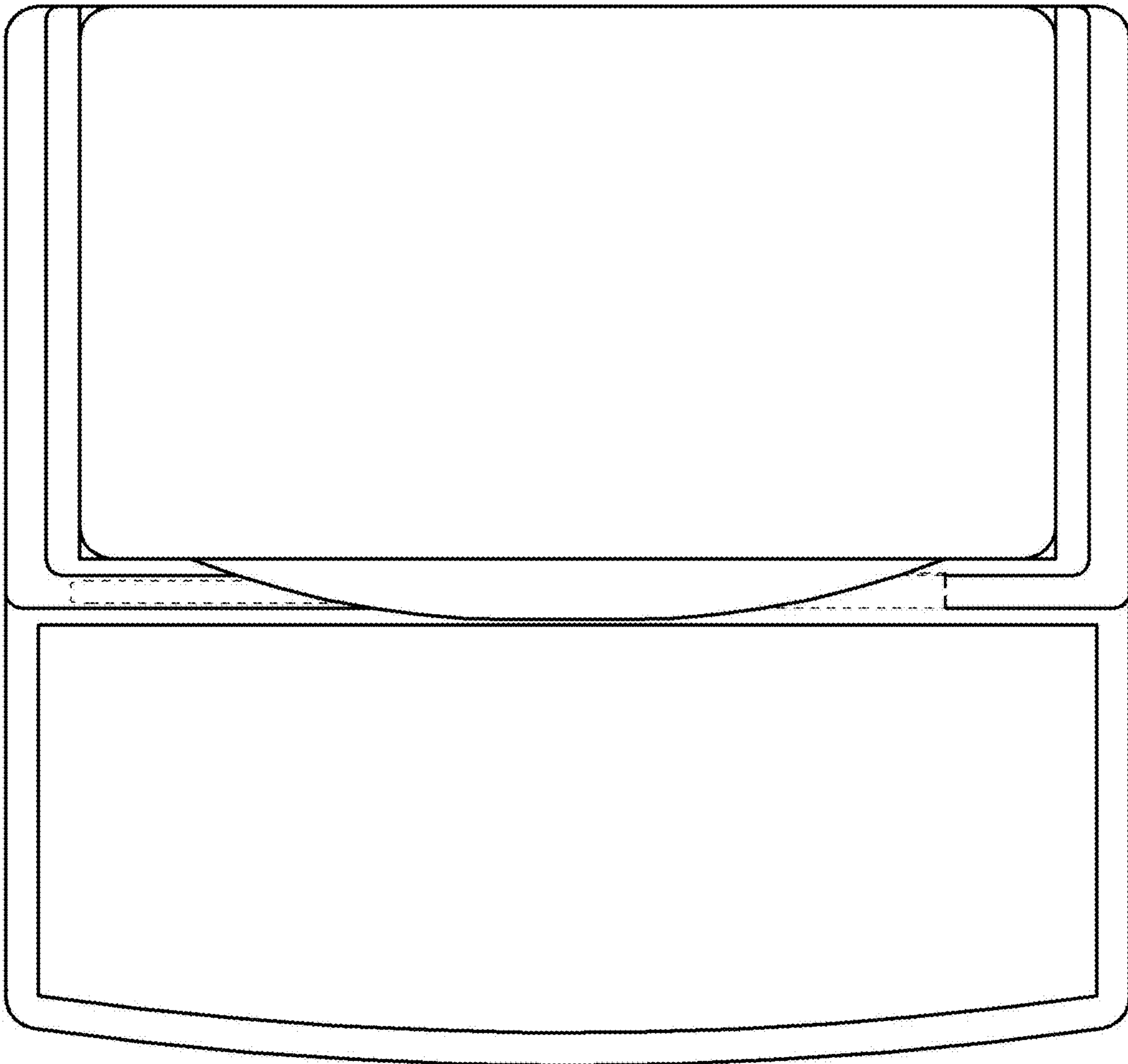
1.4



1.5



1.6





1.7

